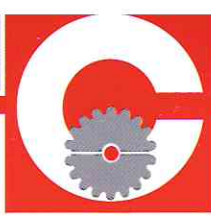




**CHIARAVALLI**®

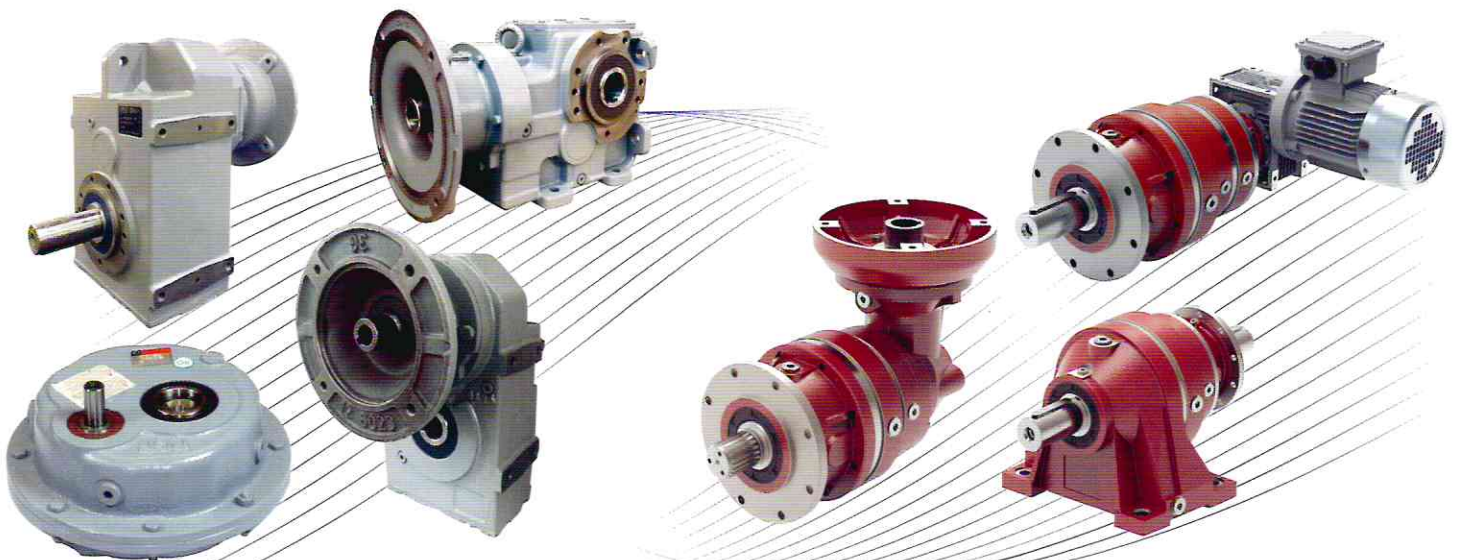
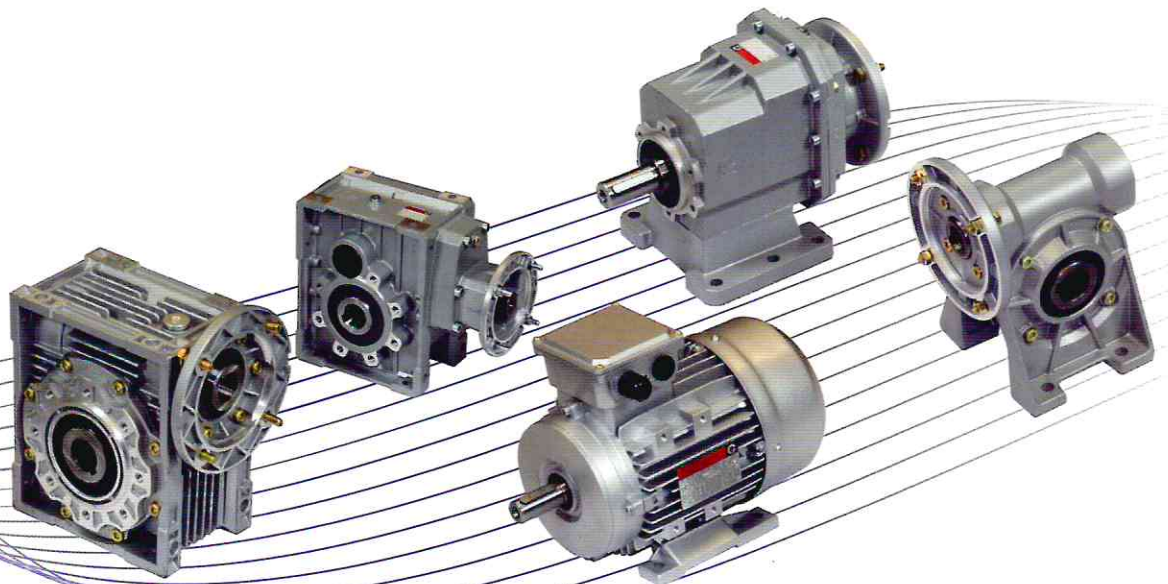
**GROUP**

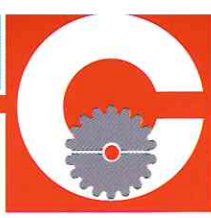
*SpA*



The MANUFACTURER distributor

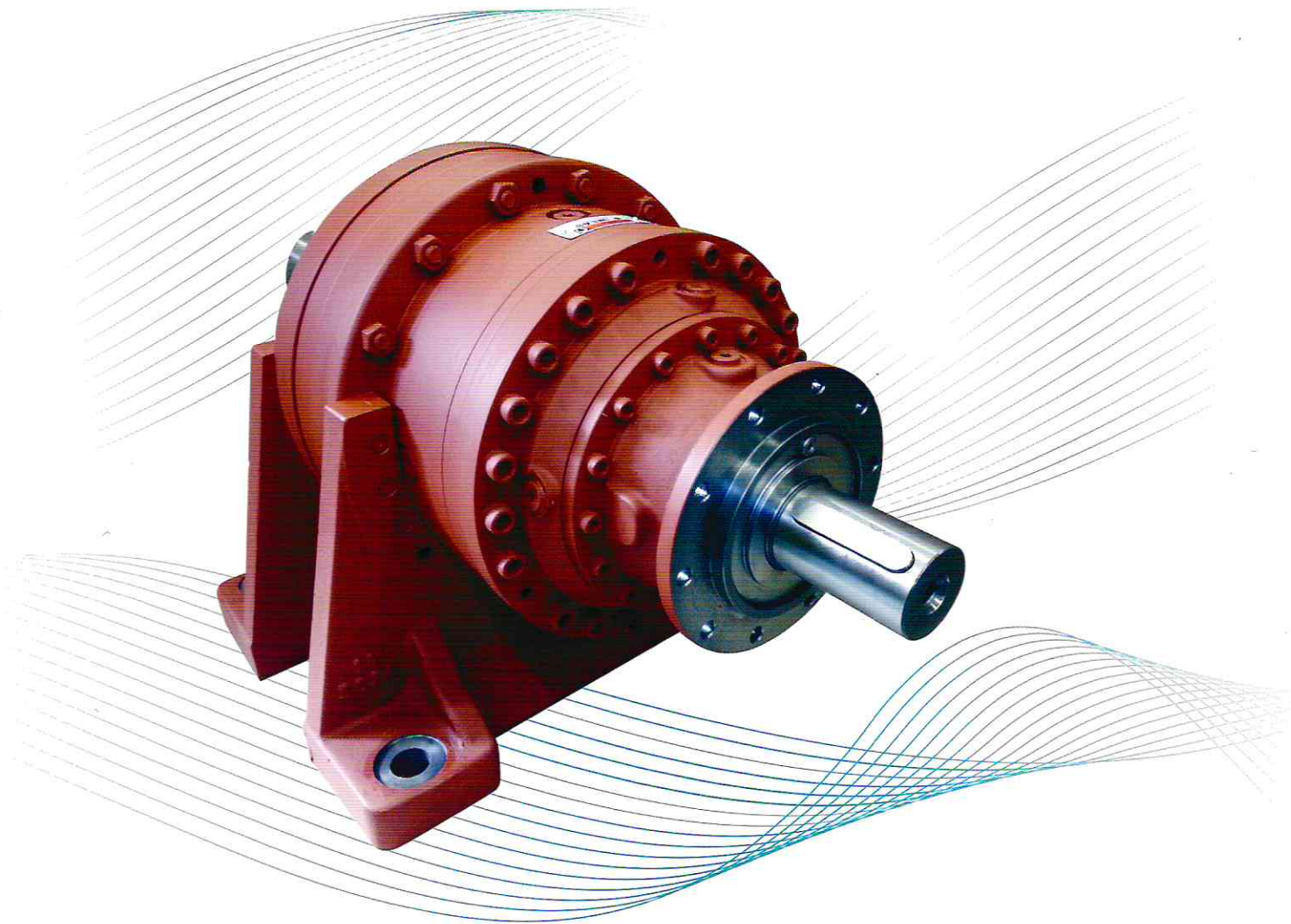
## MOTORS AND GEARBOXES

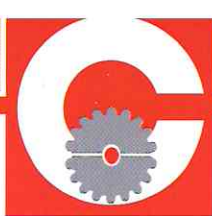




The MANUFACTURER distributor

## PLANETARY GEARBOXES

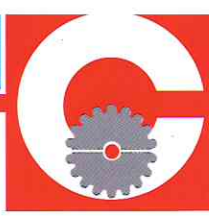




The MANUFACTURER distributor

# MECHANICAL WORM SCREW JACKS





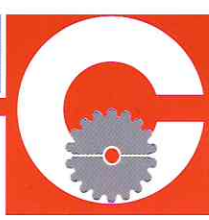
The MANUFACTURER distributor

LA NUOVA LINEA **CH EVOLUTION**  
L'EVOLUZIONE DEL RIDUTTORE  
SECONDO CHIARAVALLI



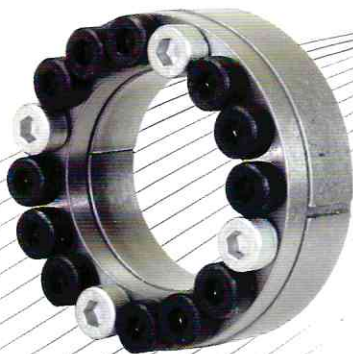
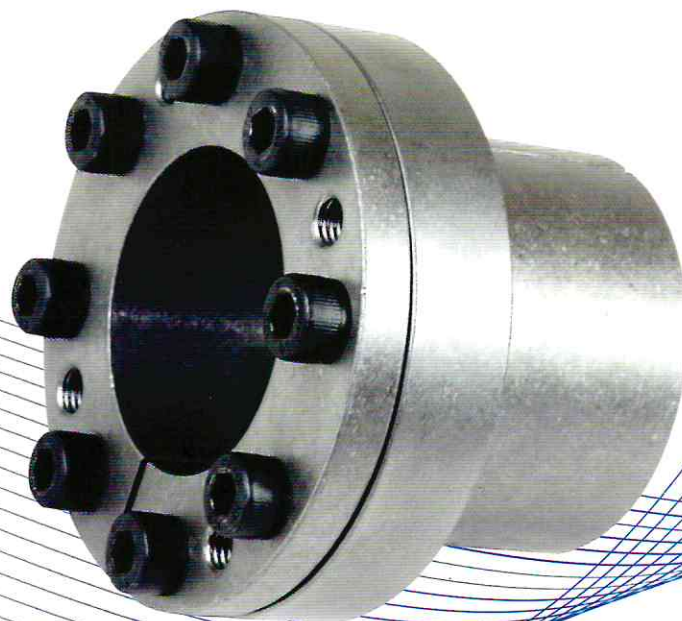
- STRUTTURA MONOLITICA
- COSTRUZIONE ROBUSTA
- RIDUZIONI DEI COSTI
- RIDUZIONE DEL NUMERO DEGLI ACCESSORI
- ASSOLUTA INTERCAMBIABILITÀ  
CON LE VECCHIE VERSIONI
- PLUG AND PLAY

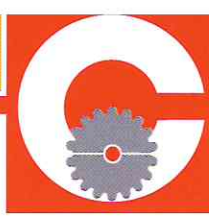




The MANUFACTURER distributor

## CLAMPING ELEMENTS **RCK**<sup>®</sup> BRAND

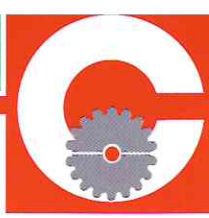




The MANUFACTURER distributor

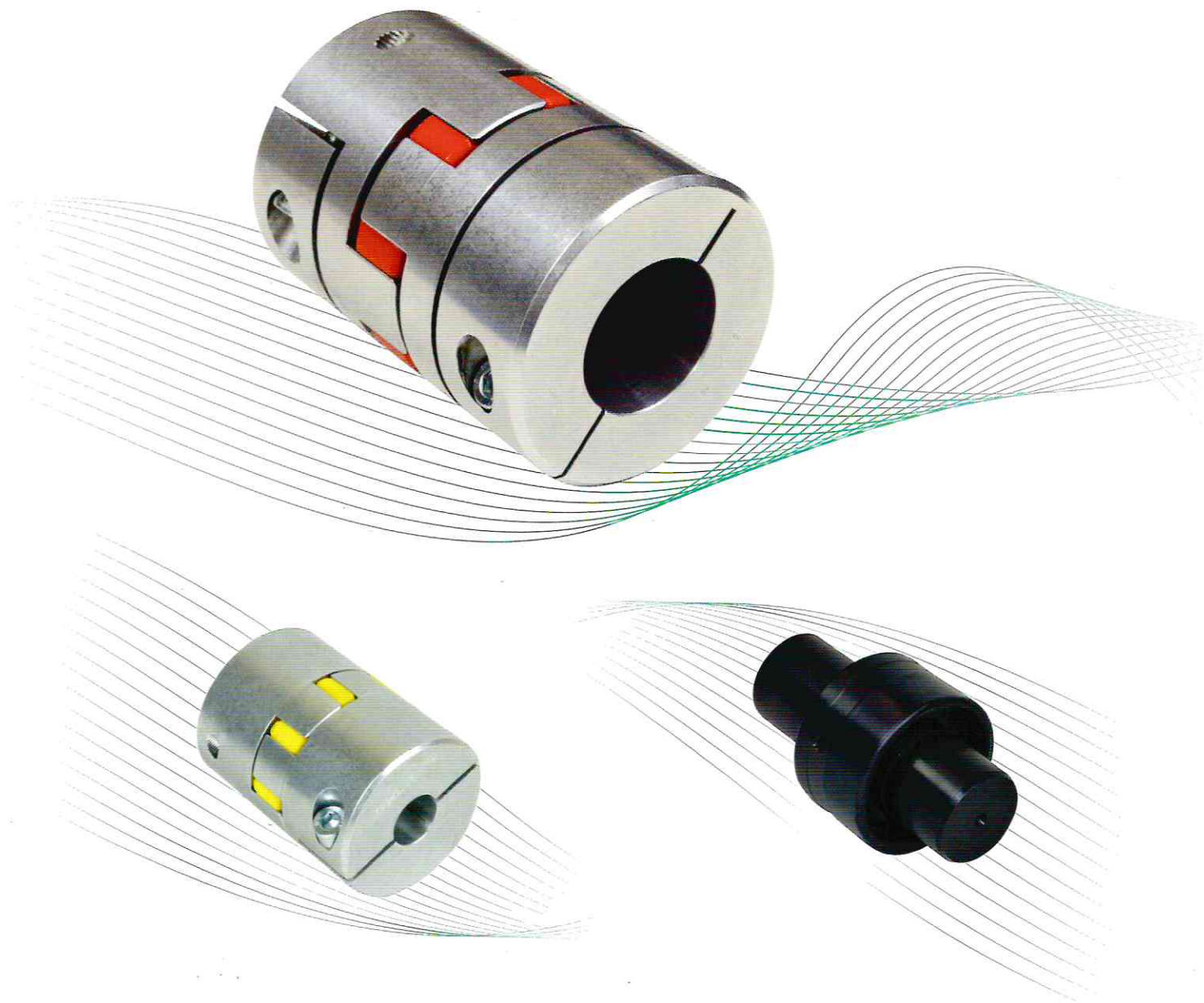
## TAPER BUSHES RCB® BRAND





The MANUFACTURER distributor

## **FLEXIBLE COUPLINGS GIFLEX®**





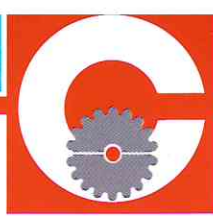


The MANUFACTURER distributor



CHIARAVALLI MASTER DISTRIBUTOR

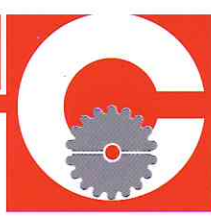




The MANUFACTURER distributor

## PILLOW BLOCKS FSB® BRAND

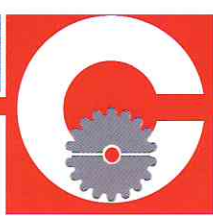




The MANUFACTURER distributor

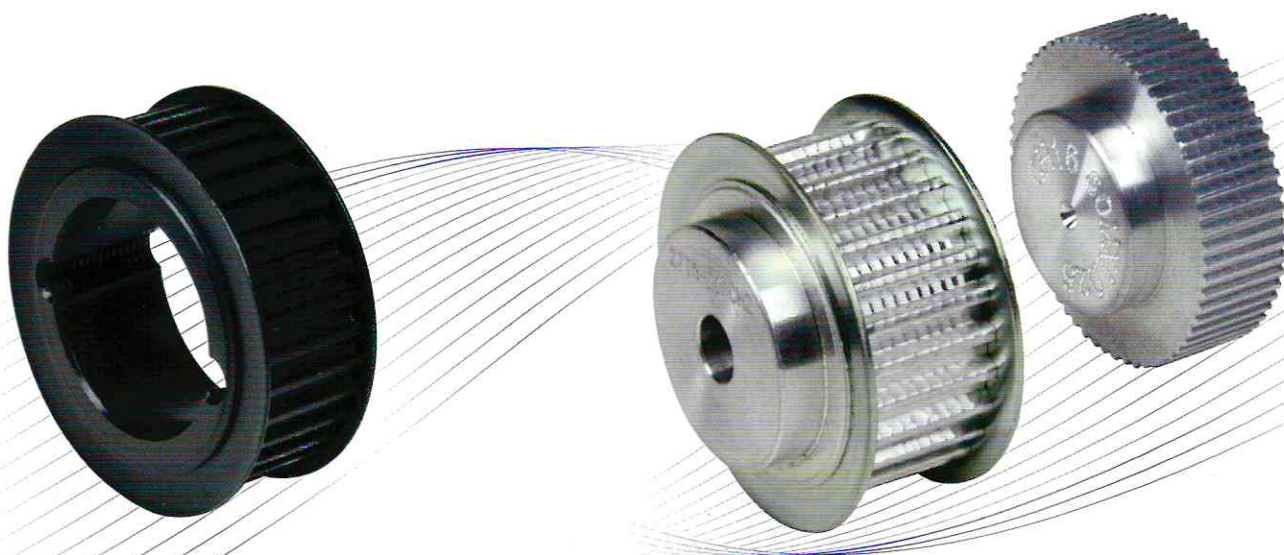
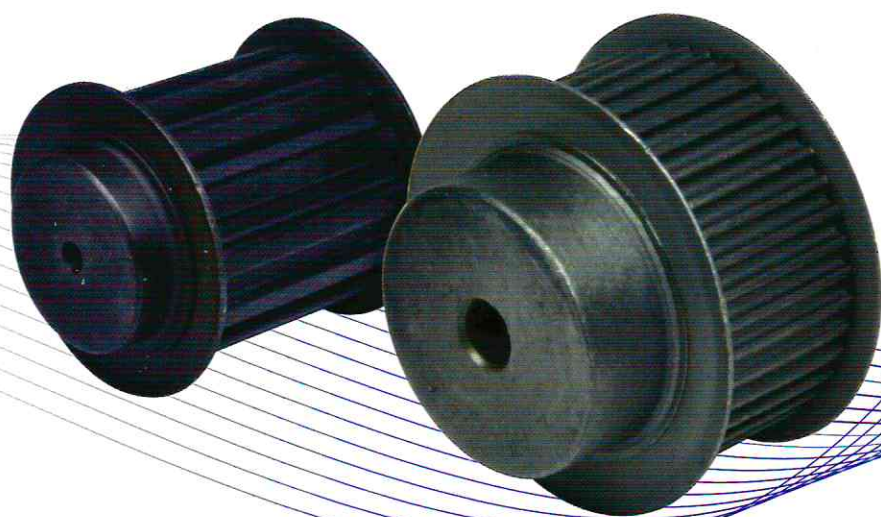
## PLATEWHEELS

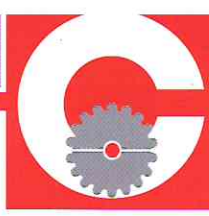




The MANUFACTURER distributor

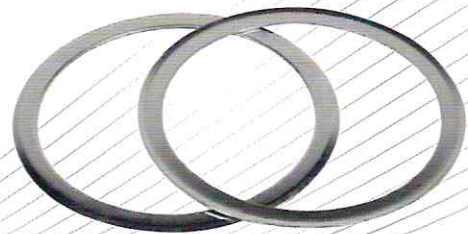
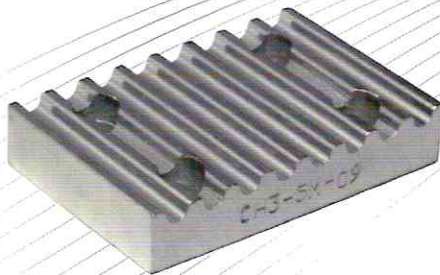
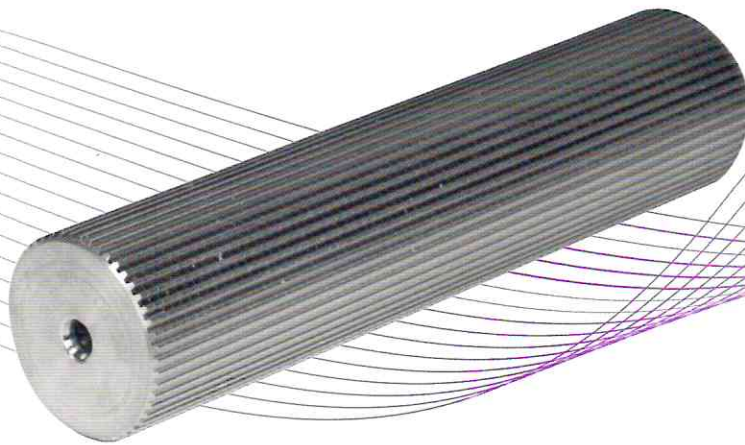
## TIMING PULLEYS





The MANUFACTURER distributor

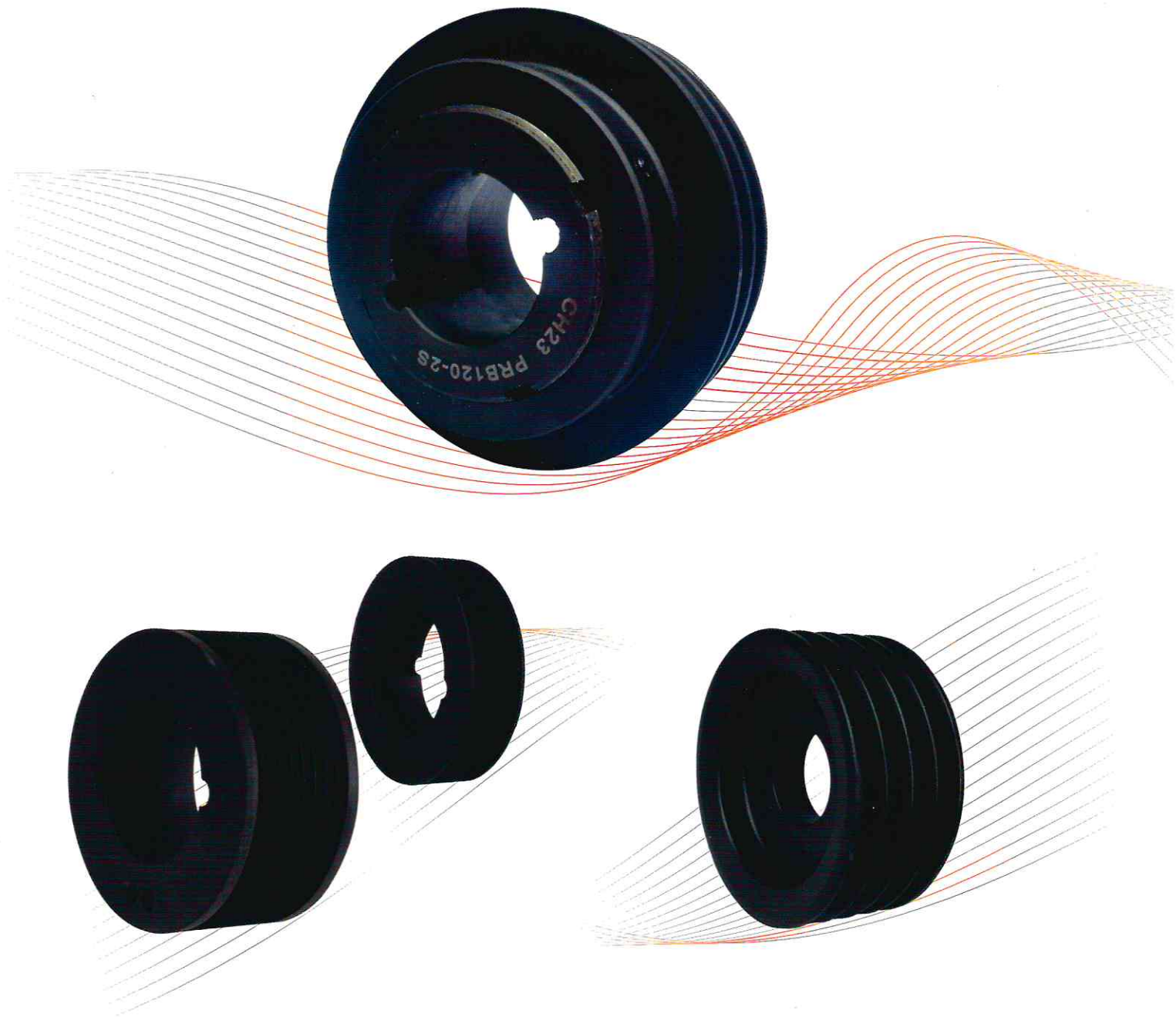
**TIMING BARS ■ FLANGES FOR PULLEYS  
■ CLAMPING BELTS PLATES**

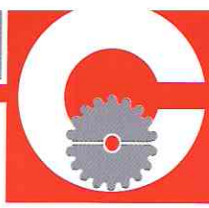




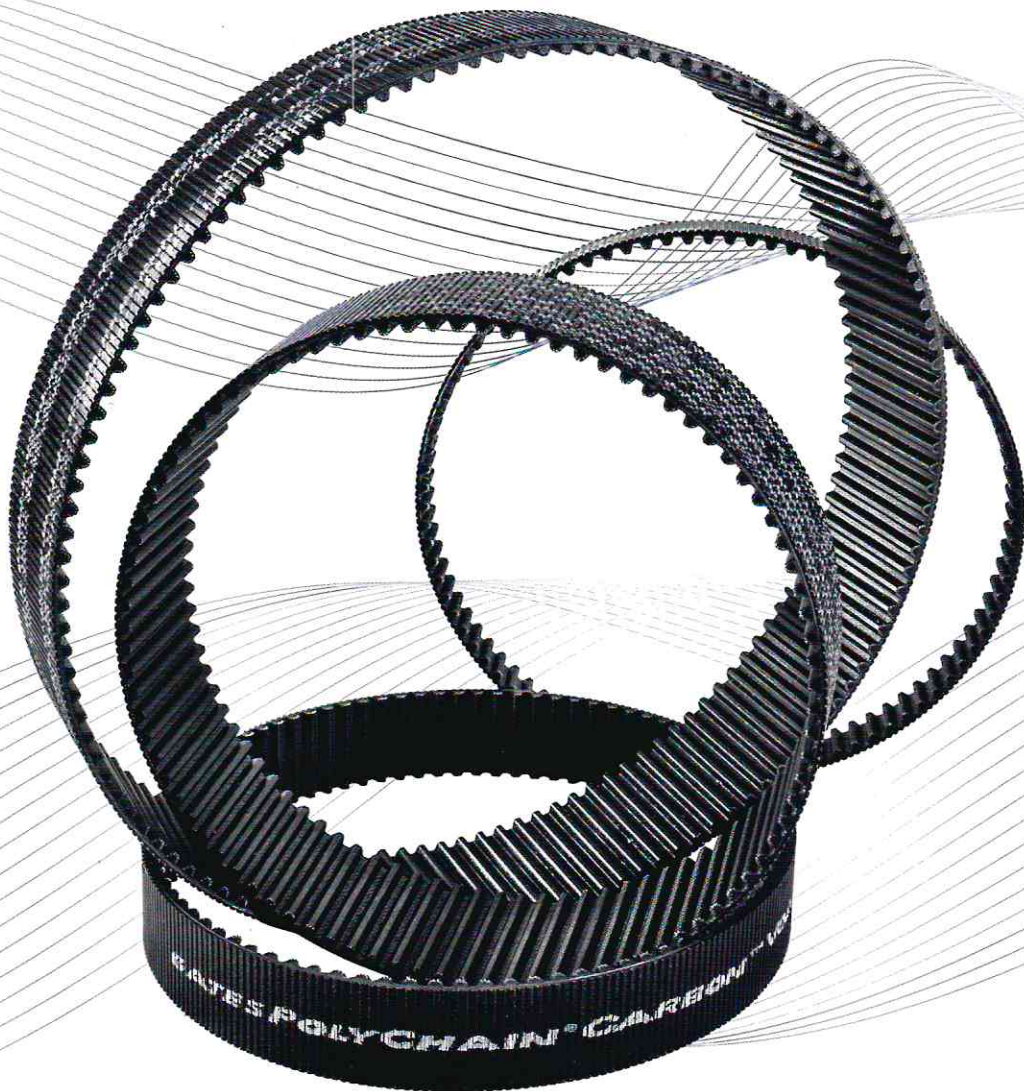
The MANUFACTURER distributor

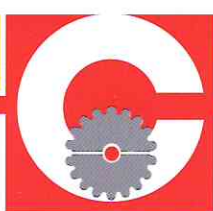
## V-BELT PULLEYS





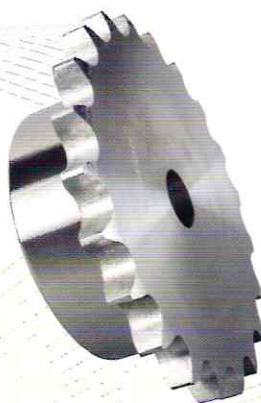
The MANUFACTURER distributor



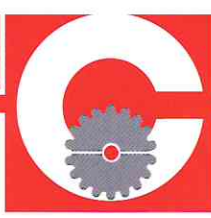


The MANUFACTURER distributor

## SPROCKETS

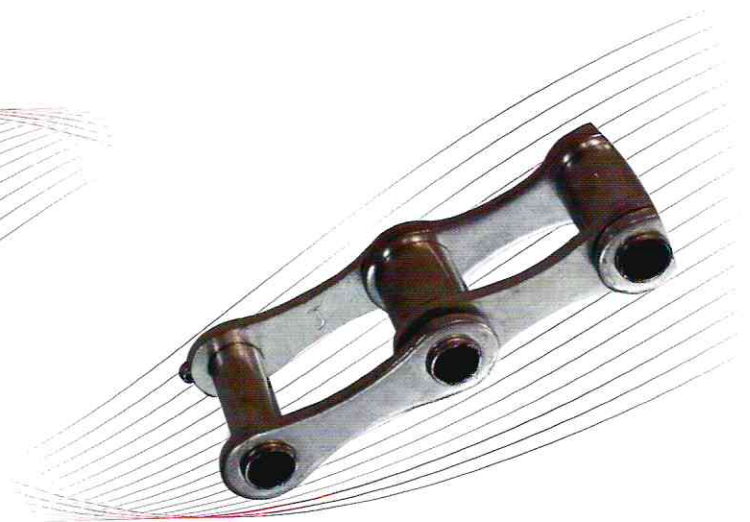
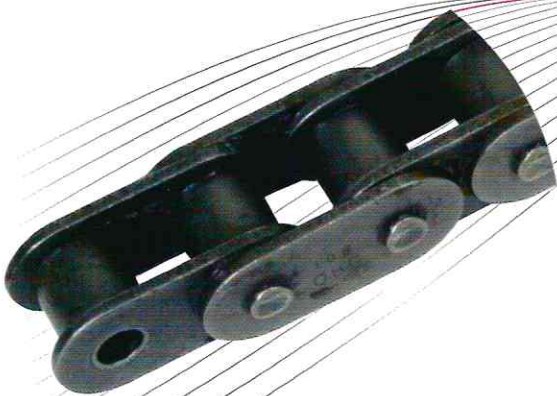
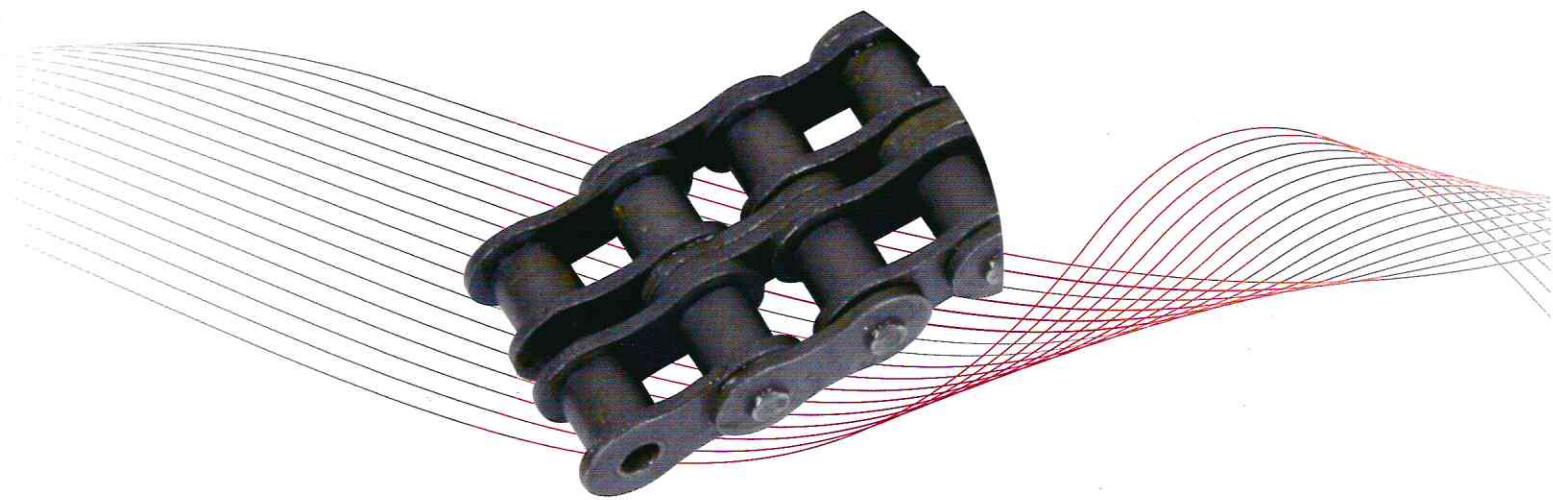


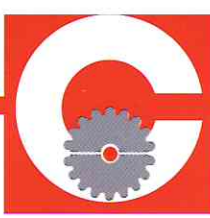




The MANUFACTURER distributor

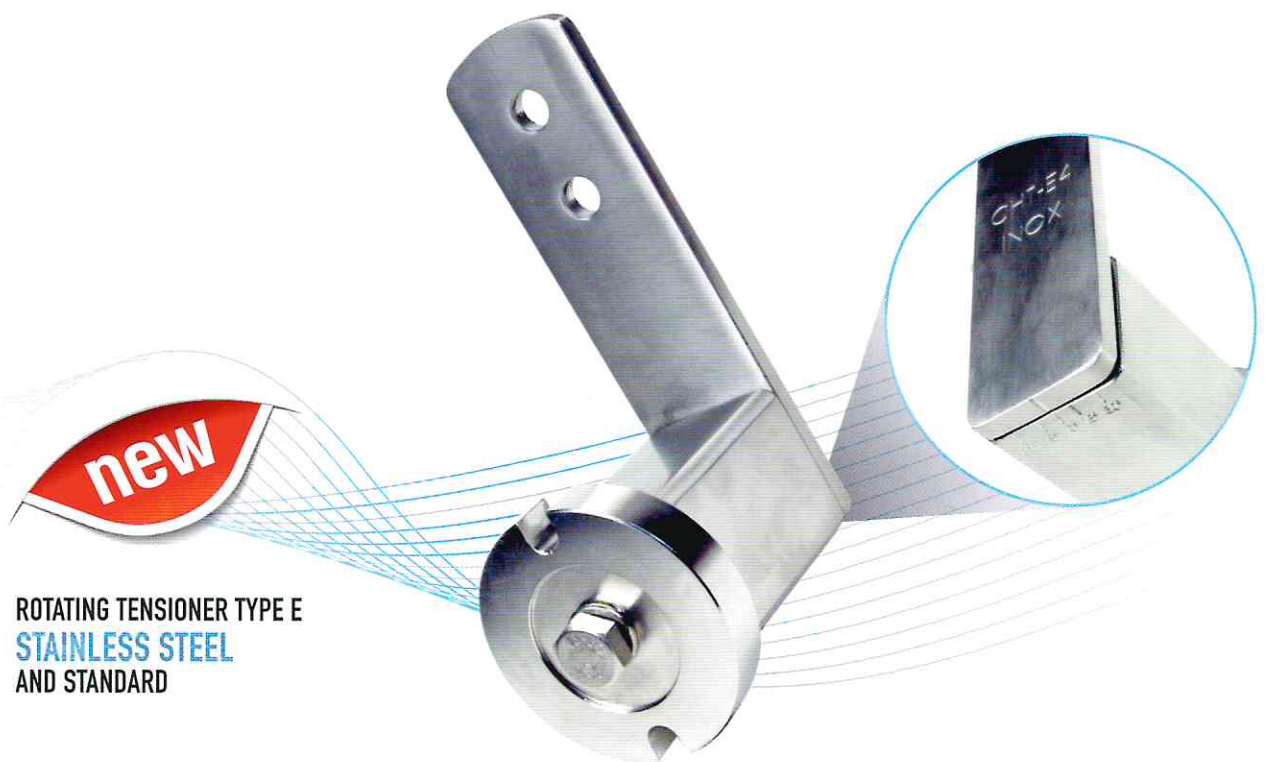
## CHAINS



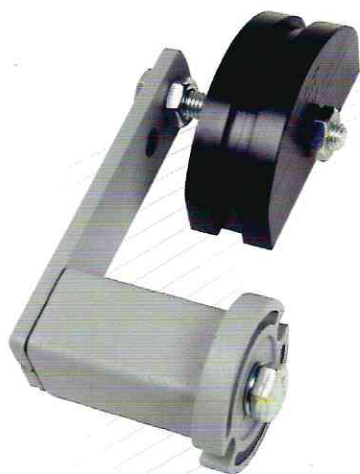


The MANUFACTURER distributor

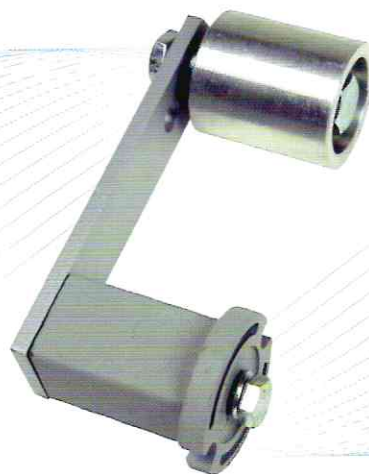
## TENSIONERS MADE IN ITALY



ROTATING TENSIONER TYPE E  
STAINLESS STEEL  
AND STANDARD



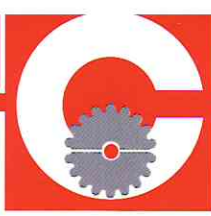
ROTATING TENSIONER  
CHT-EGE



ROTATING TENSIONER  
CHT-ERU

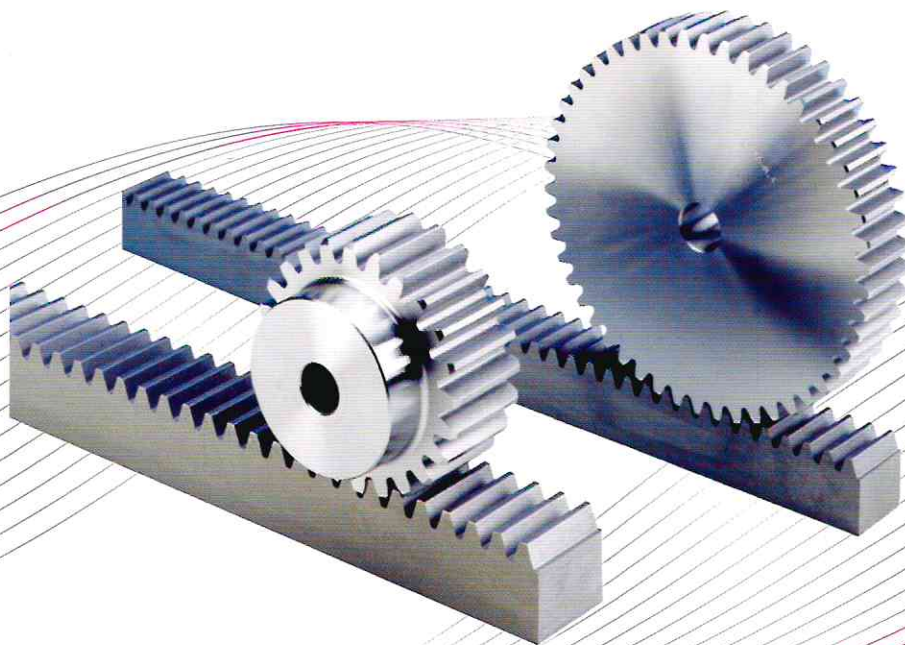


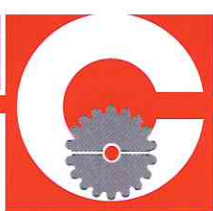
ROTATING TENSIONER  
CHT-ER



The MANUFACTURER distributor

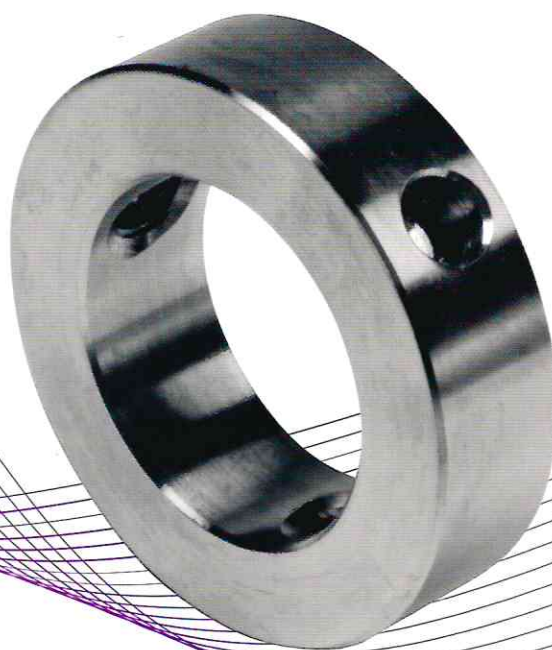
## **STRAIGHT SPUR GEARS AND RACKS**

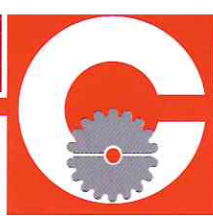




The MANUFACTURER distributor

## **COLLARS AND WASHERS**

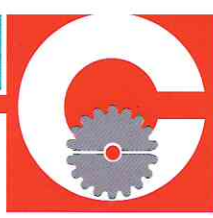




The MANUFACTURER distributor

# POLYETHYLENE **GUIDE RAILS** and METAL STEEL **HOLDER**





The MANUFACTURER distributor

## O.E.M. COMPONENTS

