



POWER TRANSMISSION
FLUID POWER
Divisions



Solutions for AG & FORESTRY Industry

PMP
INDUSTRIES

COMPLETE SOLUTIONS from a single supplier

DURABILITY, EFFICIENCY and SERVICEABILITY

PMP Industries designs, develops and manufactures reliable solutions for the Agriculture and Forestry sectors, providing a range of solutions tailored on the specific requirements of each application and on the customers needs.

PMC track drives integrate PMP's long term experience in harsh environment applications with dedicated design solutions for each specific equipment. The final result is increased durability even in the toughest conditions.

PMR wheel drives are used on applications where flexible hydraulic or electric traction is required. Featuring wet disk parking brakes and mechanical disengage system, PMR drives can be used on any wheeled equipment where reliability, strength and smoothness of operation are required.

PMCI travel drives integrate high pressure, high speed motors into solid planetary gearboxes. The design solutions of PMP integrated motors grant a longer life of critical components and an increased durability of the entire system. Thanks to the high pressure technology and to the lower working temperature, the efficiency of the system is increased.

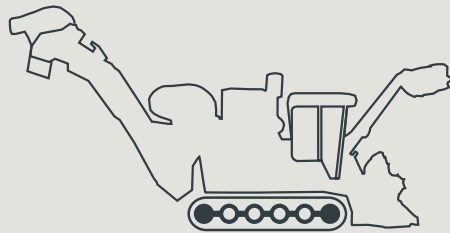
PMH P pumps and **PMH M motors** are high pressure axial piston models designed specifically to be used on heavy duty machines for traction and auxiliary functions, providing efficiency and durability.

PMH MKF and **PMH MKV** are **plug in type motors** designed for high pressure heavy duty applications and feature the most compact design with several valve options available.

PMP

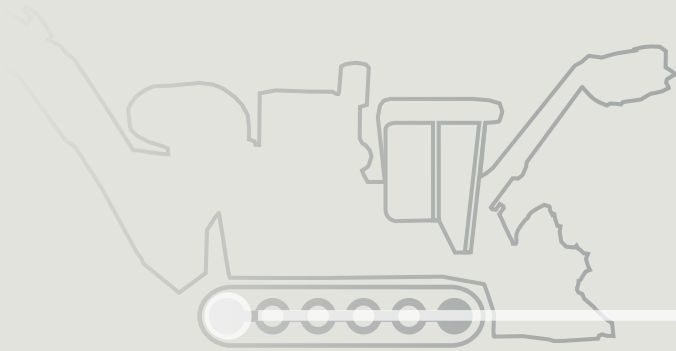
INDUSTRIES

Solutions for AGRICULTURE MACHINERY
Sugar Cane, Coffee, Rice Harvesters





PMC, track drives
PMR, wheel drives



Specification

	PMR 680	PMR 700	PMR 1200	PMR / PMC 2000	PMR / PMC 3000	PMR / PMC 4000 SC
Max output torque [Nm]	7.000	7.800	12.000	20.000	30.000	40.000
Max input speed [rpm]	3.500	3.500	3.500	3.500	3.500	3.500
Available ratios [1:]	18-55	32-51	32-55	19-169	19-168	41-146
Weight [kg]	50	60	110	110	165	180

Features



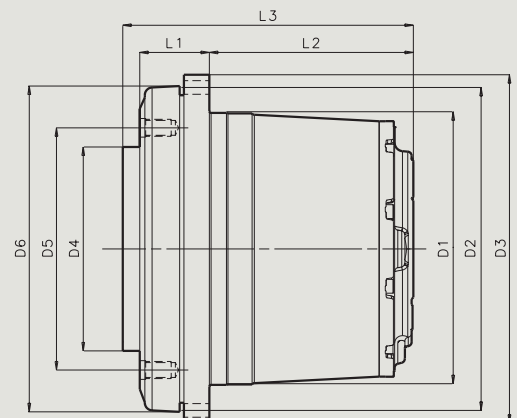
PMC gearboxes feature **special gear profiles** in order to optimize gear contact in a wide range of loading conditions.



PMP transferred its 15 year experience in **wet disk brake** technology into the brake system of PMC and PMR drives.

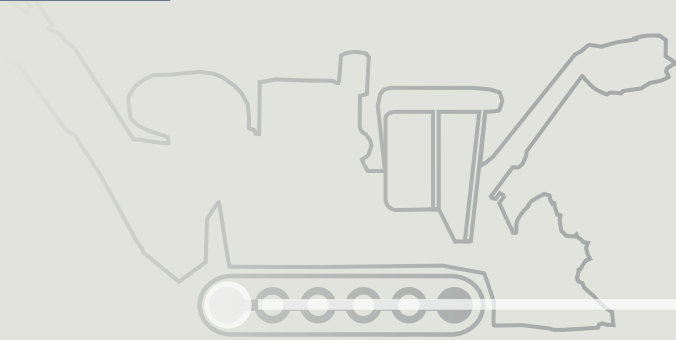
Dimensions

	PMR 680	PMR 700	PMR 1200	PMR / PMC 2000	PMR / PMC 3000	PMR / PMC 4000 SC
L1	107	72	96	96	82	91
L2	112	166	201	201	240	218
L3	267,4	247,4	297	297	342	344
D1	200	220	280	280	320	350
D2	241	275	330	330	380	400
D3	278	310	370	370	410	435
D4	177,8	190	235	235	240	300
D5	209	230	335	300	285	285
D6	242	270	370	330	383,4	383,4





PMCI, Integrated track drives PMRI, Integrated wheel drives



Specification

	PMCI / PMRI 1000	PMCI / PMRI 1200	PMCI / PMRI 2000	PMCI / PMRI 3000	PMCI / PMRI 4000
Available ratios [I:]	39.6	42-54	67-80	56-93.2	41-73
Max output torque [Nm]	10.000	12.000	20.000	30.000	40.000
Displacement max [cc]	55	55	55	55	110
Max pressure [bar]	300	350	350	350	350
Park brake torque [Nm]	140	140	165	165	335
Weight [kg]	82	90	120	220	260

Features



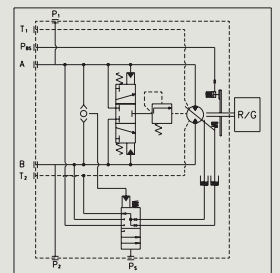
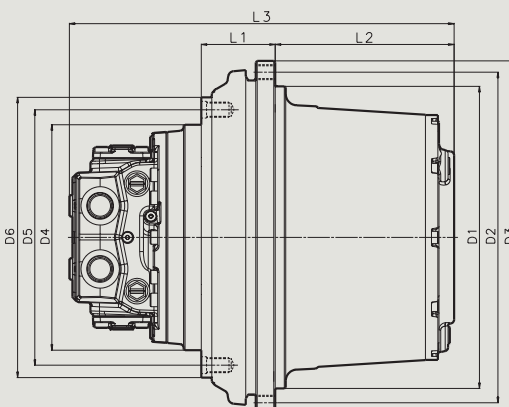
Rotating blocks are made in **special steel** and use **full bronze** cylinder sleeves.



PMCI series feature bimetallic **bronze and steel** distribution plate.

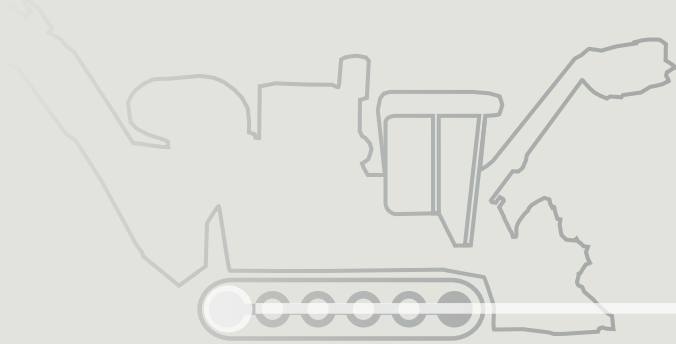
Dimensions

	PMCI / PMRI 1000	PMCI / PMRI 1200	PMCI / PMRI 2000	PMCI / PMRI 3000	PMCI / PMRI 4000
L1	75	80	100	82	98,5
L2	143	152	201	240	216
L3	355	346	418	432	490
D1	230	265	280	320	402
D2	260	300	330	380	440
D3	286	326	370	410	470
D4	210	210	246	240	300
D5	244	250	280	285	340
D6	268	280	308	383	373





PMH MKF, plug in type hydraulic motors



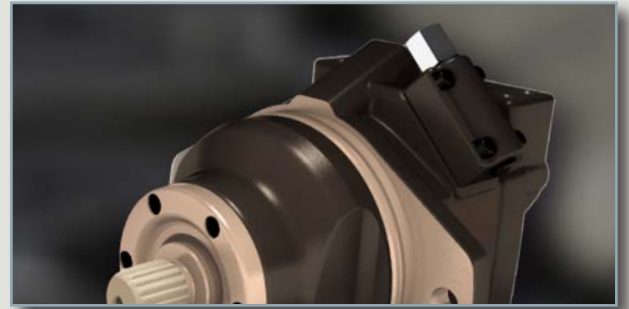
Specification

	PMH MKF 47	PMH MKF 55	PMH MKF 63	PMH MKF 72	PMH MKF 90	PMH MKF 110	PMH MKF 180
Displacement [cc/rev]	47	55	63	72	90	110	180
Max output speed [rpm]	4.300	4.300	4.100	4.100	4.000	3.800	3.800
Max pressure [bar]	450	450	450	450	450	450	450
Max output torque [Nm]	300	350	405	460	570	700	1100
Weight [kg]	25	25	27	28	36	36	55

Features



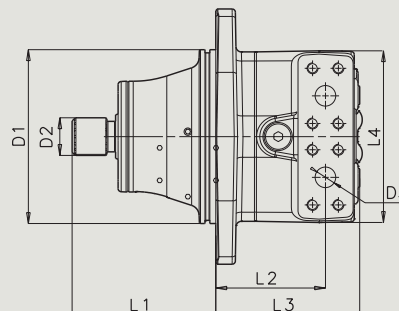
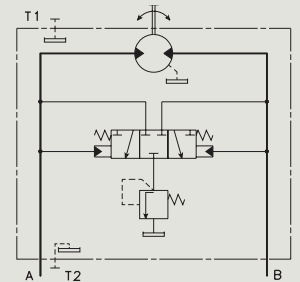
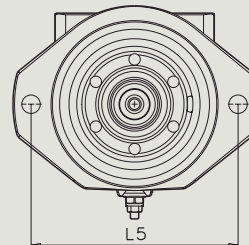
Valve plates use **extremely hard materials** and their geometry is optimized for durability and efficiency.



MKV series feature **fully customizable variable motors** with **several controls** available.

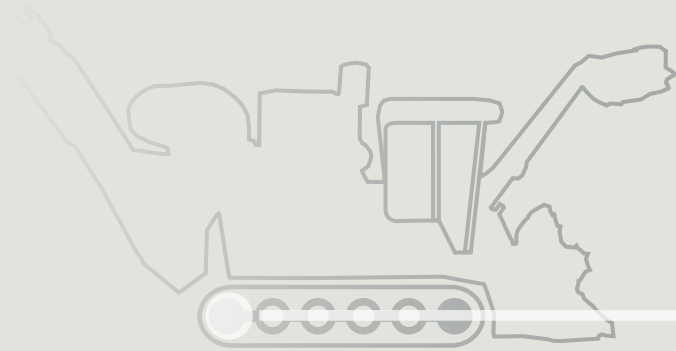
Dimensions

	PMH MKF 47	PMH MKF 55	PMH MKF 63	PMH MKF 72	PMH MKF 90	PMH MKF 110	PMH MKF 180
L1	132	132	132	132	156	156	178
L2	110	110	110	110	130	130	150
L3	145	145	148	148	160	160	185
L4	158	158	170	170	195	195	210
L5	200	200	200	200	224	224	250
D1	160	160	160	160	190	190	200
D2	DIN 5480						
D3	19	19	19	25,4	25,4	25,4	32





PMH M, hydraulic motors



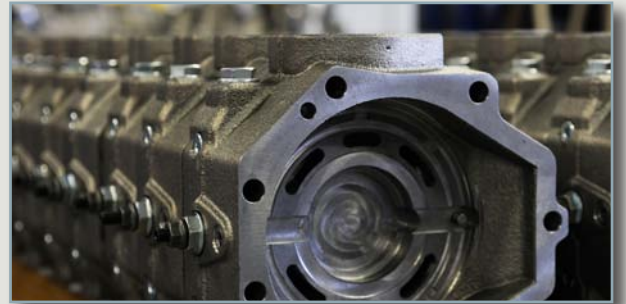
Specification

	PMH M 55	PMH M 72	PMH M 90	PMH M 110
Displacement [cc/rev]	55	72	90	110
Max output speed [rpm]	4.000	4.100	4.000	3.800
Max pressure [bar]	450	450	450	450
Max output torque [Nm]	365	480	550	650
Weight [kg]	24	28	34	34

Features



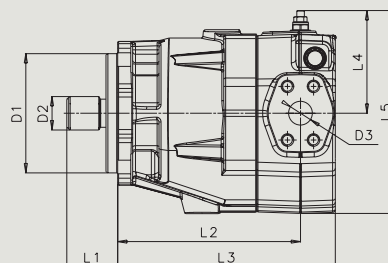
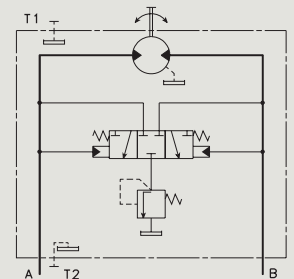
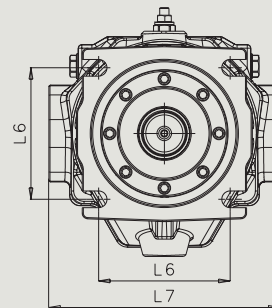
Valve plates use extremely hard materials and their **geometry is optimized for durability and efficiency.**



The cylinder block is manufactured by PMP using **premium materials** and adopting an independent preload

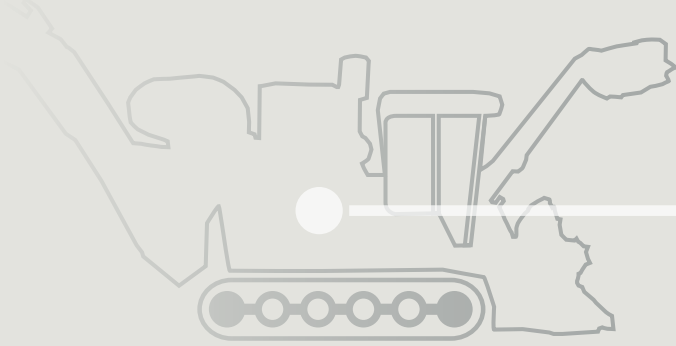
Dimensions

	PMH M 55	PMH M 72	PMH M 90	PMH M 110
L1	54,1	54,1	54,1	54,1
L2	174	188	194,8	194,8
L3	210	230	232	232
L4	100,4	105,3	109	109
L5	190,2	206,6	216	216
L6	114,4	114,4	114,4	114,4
L7	170	183	201	201
D1	127	127	127	127
D2	ANSI B.92.1			
D3	19	25,4	25,4	25,4





PMH P, hydraulic pumps



Specification

	PMH P 55	PMH P 72	PMH P 90	PMH P 110
Displacement [cc/rev]	55	72	90	110
Max shaft speed [rpm]	4.000	4.000	4.000	3.800
Max pressure [bar]	450	450	450	450
Input torque @250 bar [Nm]	235	308	385	460
Weight [kg]	55	68	68	68

Features



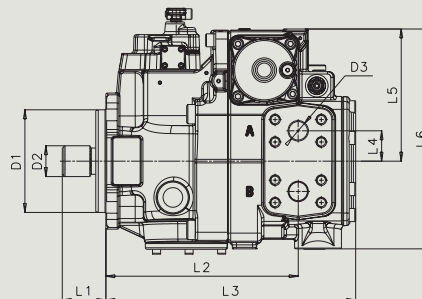
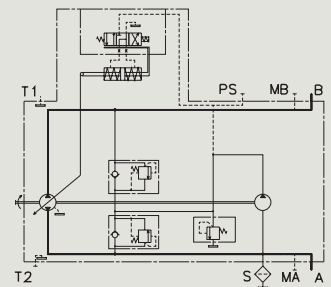
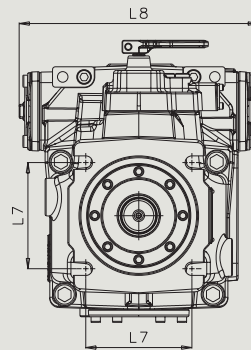
Rotating blocks are made in **special steel** and use **full bronze** cylinder sleeves.



The cylinder block is manufactured by using **premium materials** and adopting an **innovative preload system** which increases motor life.

Dimensions

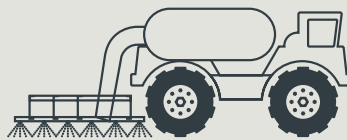
	PMH P 55	PMH P 72	PMH P 90	PMH P 110
L1	56	53,9	53,9	53,9
L2	210	238	238	238
L3	265	309	309	309
L4	42	37,5	37,5	37,5
L5	130	163	163	161,8
L6	228	271,5	271,5	270,3
L7	114,4	114,4	114,4	114,4
L8	221	258	258	258
D1	127	127	127	127
D2	ANSI B.92.1			
D3	25,4	25,4	25,4	25,4



PMP

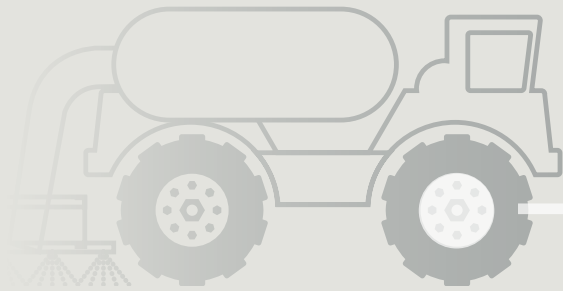
INDUSTRIES

Solutions for AGRICULTURE MACHINERY
Sprayer





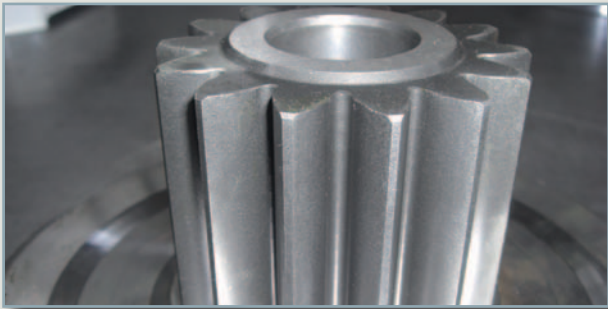
PMR, track drives



Specification

	PMR 680	PMR 800	PMR 1100	PMR 1300	PMR 1800	PMR 2000
Max output torque [Nm]	7.000	7.900	11.000	12.500	18.000	20.000
Max input speed [rpm]	3.500	4.000	3.500	5.000	5.000	3.500
Available ratios [1:]	18-55	22-34	15-55	22-34,2	22-34,2	19-169
Weight [kg]	50	65	85	88	95	110

Features



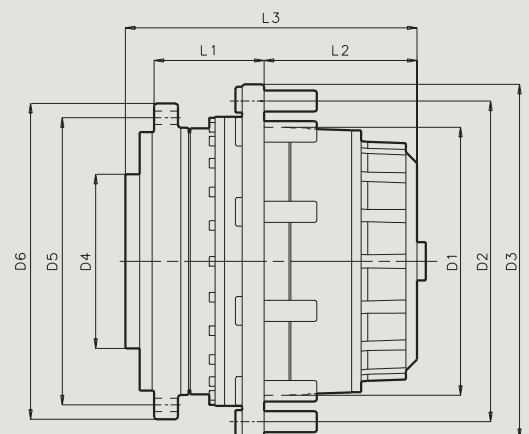
PMR gearboxes feature **special gear profiles**, in order to optimize gear contact at all torque and loading conditions thus reaching the highest possible gearbox life.



Innovative design in wet multiple disk brake solutions led to four **international patents** for PMP in the past years.

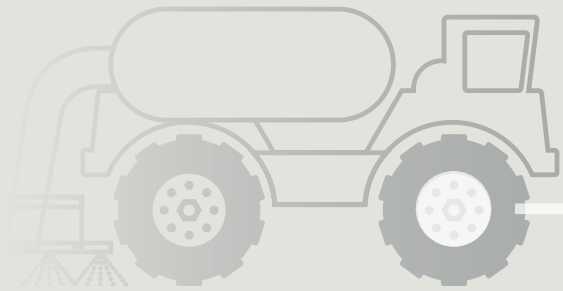
Dimensions

	PMR 680	PMR 800	PMR 1100	PMR 1300	PMR 1800	PMR 2000
L1	107	90	110	96	96	96
L2	112	137	138,8	137	162	201
L3	267,4	235	264,8	270	295	297
D1	200	280	240	280	280	280
D2	241	335	282,6	335	335	330
D3	278	370	320,8	370	370	370
D4	177,8	240	240	270	270	270
D5	209	275	275	300	300	300
D6	242	300	300	330	330	330





PMH MKV, plug in type hydraulic motor



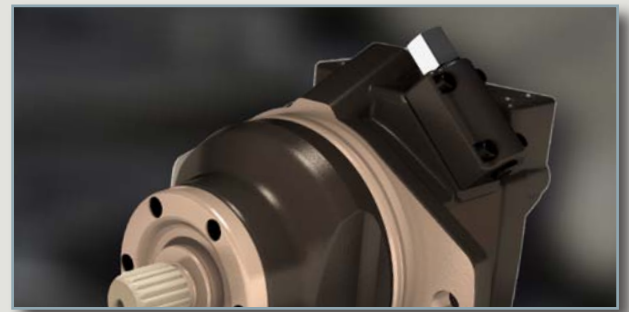
Specification

	PMH MKV 55	PMH MKV 72	PMH MKV 90	PMH MKV 110	PMH MKV 180
Displacement [cc/rev]	55	72	90	110	180
Max output speed [rpm]	4.800	4.500	4.400	4.300	3.400
Max pressure [bar]	450	450	450	450	450
Max output torque [Nm]	350	460	570	700	1100
Weight [kg]	27	33	40	40	58

Features



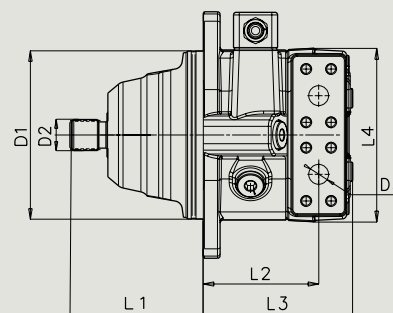
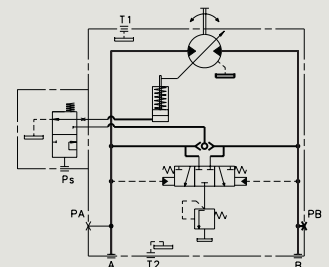
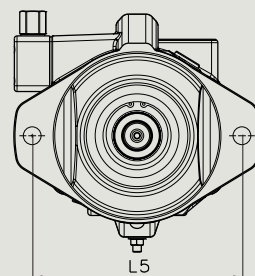
Valve plates use **extremely hard materials** and their geometry is optimized for durability and efficiency.



MKV series feature **fully customizable variable motors** with **several controls available**.

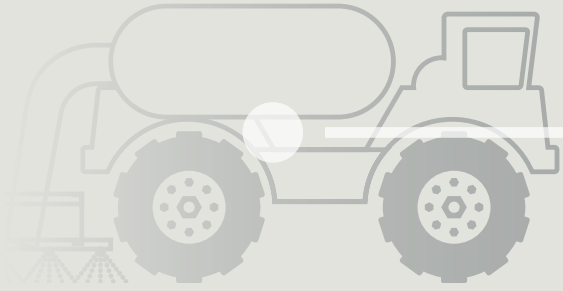
Dimensions

	PMH MKV 55	PMH MKV 72	PMH MKV 90	PMH MKV 110	PMH MKV 180
L1	132	156	168	173	192
L2	110	125	140	140	160
L3	154	157	169	169	195
L4	158	170	195	195	210
L5	200	200	224	224	258
D1	160	190	200	200	260
D2	DIN 5480				
D3	19	25,4	25,4	25,4	32





PMH P, hydraulic pumps



Specification

	PMH P 55	PMH P 72	PMH P 90	PMH P 110
Displacement [cc/rev]	55	72	90	110
Max shaft speed [rpm]	4.000	4.000	4.000	3.800
Max pressure [bar]	450	450	450	450
Input torque @250 bar [Nm]	235	308	385	460
Weight [kg]	55	68	68	68

Features



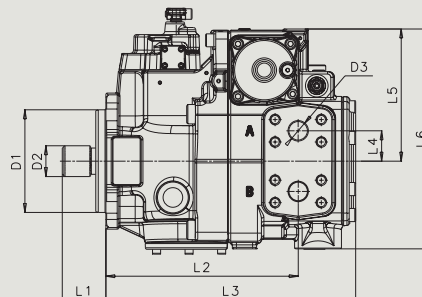
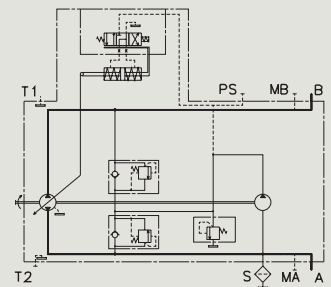
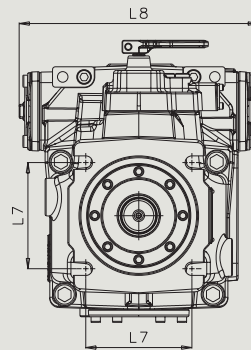
Rotating blocks are made in **special steel** and use **full bronze** cylinder sleeves.



The cylinder block is manufactured by using **premium materials** and adopting an **innovative preload system** which increases motor life.

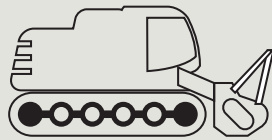
Dimensions

	PMH P 55	PMH P 72	PMH P 90	PMH P 110
L1	56	53,9	53,9	53,9
L2	210	238	238	238
L3	265	309	309	309
L4	42	37,5	37,5	37,5
L5	130	163	163	161,8
L6	228	271,5	271,5	270,3
L7	114,4	114,4	114,4	114,4
L8	221	258	258	258
D1	127	127	127	127
D2	ANSI B.92.1			
D3	25,4	25,4	25,4	25,4



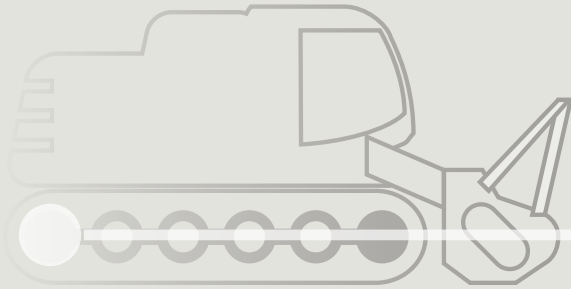


Solutions for FORESTRY MACHINERY
Mulchers, Harvesters, Feller Bunchers





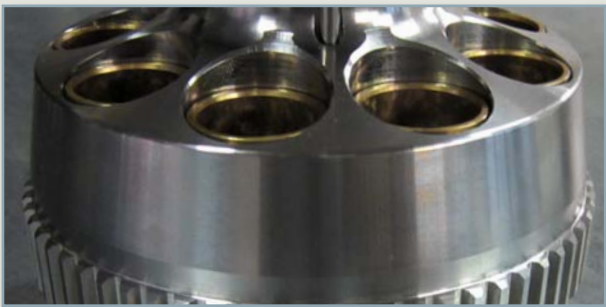
PMCI, Integrated track drives



Specification

	PMCI 1200	PMCI 1500	PMCI 2000	PMCI 3000	PMCI 4000	PMCI 4500	PMCI 6000	PMCI 9000
Available ratios [1:]	42-54	36-46	67-80	56-93.2	73	76-88	66-100	76-153
Max output torque [Nm]	12.000	15.000	20.000	30.000	40.000	45.000	62.000	90.000
Displacement max [cc]	55	55	55	55	110	110	180	180
Max pressure [bar]	350	350	350	350	350	350	350	350
Park brake torque [Nm]	140	140	140	165	335	335	600	800
Weight [kg]	90	95	120	220	260	260	370	495

Features



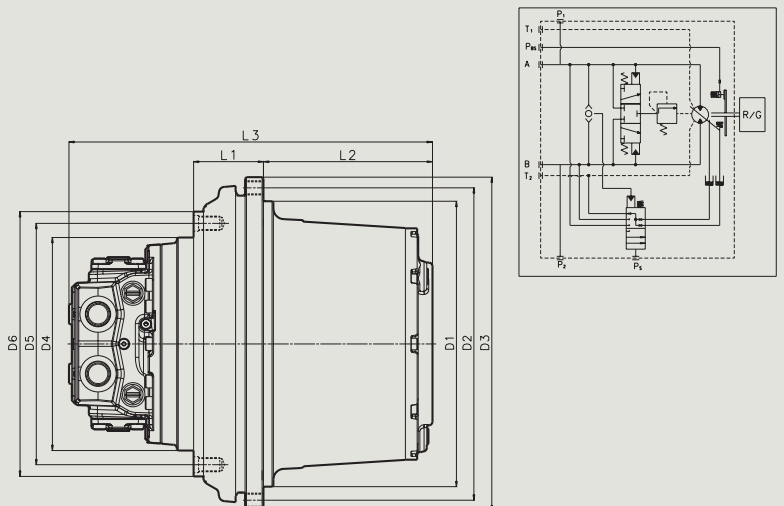
Rotating blocks are made in **special steel** and use **full bronze** cylinder sleeves.



PMCI series feature bimetallic **bronze and steel** distribution plate.

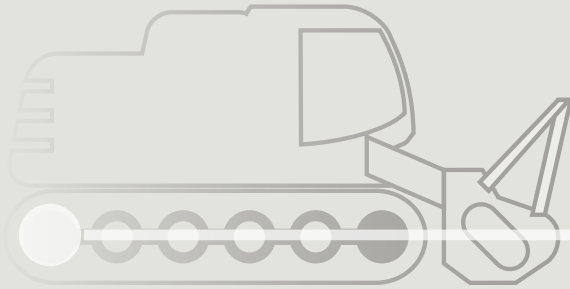
Dimensions

	PMCI 1200	PMCI 1500	PMCI 2000	PMCI 3000	PMCI 4000	PMCI 4500	PMCI 6000	PMCI 9000
L1	80	100	100	82	98,5	98,5	102,5	148
L2	152	167,5	201	240	216	240	283	317
L3	346	387,5	418	432	490	513	535	607
D1	265	275	280	320	402	402	450	460
D2	300	305	330	380	440	440	492	510
D3	326	331	370	410	470	470	525	550
D4	210	246	246	240	300	300	380	410
D5	250	280	280	285	340	340	440	455
D6	280	308	308	383	373	382,5	480	493





PMC, track drives



Specification

	PMC 2000	PMC 3000	PMC 4000	PMC 4500	PMC 5000	PMC 6000	PMC 9000
Max output torque [Nm]	20.000	30.000	40.000	45.000	55.000	62.000	90.000
Max input speed [rpm]	3.500	3.500	3.500	3.500	3.000	3.000	3.000
Available ratios [1:]	19-168	60-151	76-146	55-135	99-170	99-170	62-231
Weight [kg]	100	165	180	190	270	280	445

Features



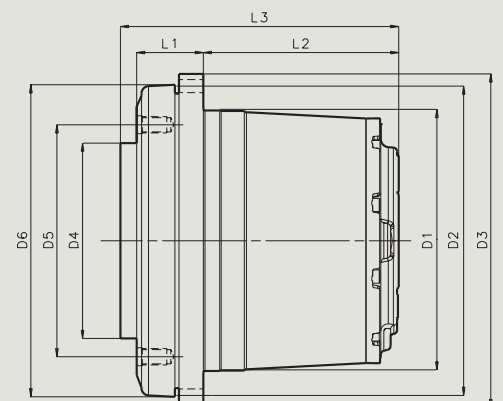
PMC gearboxes feature **special gear profiles** in order to optimize gear contact in a wide range of loading conditions.



PMP transferred its 15 year experience in **wet disk brake** technology into the brake system of PMC and PMR drives.

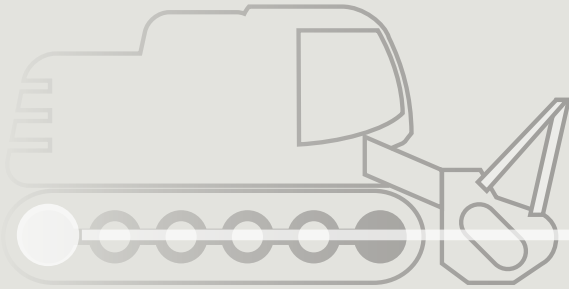
Dimensions

	PMC 2000	PMC 3000	PMC 4000	PMC 4500	PMC 5000	PMC 6000	PMC 9000
L1	115	82	91	90	104	110	130
L2	201	240	240	256	283	283	318
L3	331	342	351	396	425	413	468
D1	280	320	350	350	394	410	460
D2	330	380	400	400	455	455	510
D3	370	410	435	435	490	490	550
D4	235	240	240	330	280	280	420
D5	300	285	285	370	325	325	460
D6	330	383,4	383,4	410	425,8	425,8	500





PMH MK, plug-in type hydraulics motors



Specification

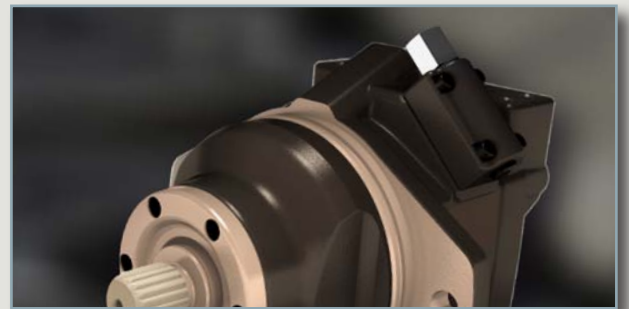
	PMH 55		PMH 72		PMH 90		PMH 110	
	MKF	MKV	MKF	MKV	MKF	MKV	MKF	MKV
Displacement [cc/rev]	55	55	72	72	90	90	110	110
Max output speed [rpm]	4.300	4.800	4.100	4.500	4.000	4.400	3.800	4.300
Max pressure [bar]	450	450	450	450	450	450	450	450
Max output torque [Nm]	350	350	460	460	570	570	700	700
Weight [kg]	25	27	28	33	36	40	36	40

MKF - fixed motor / MKV - variable two position motor

Features



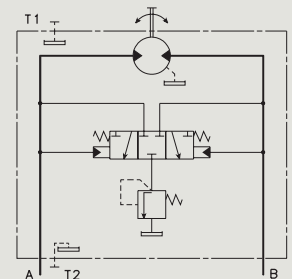
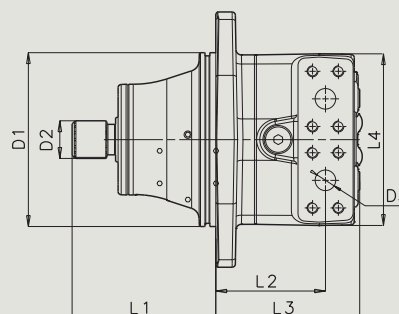
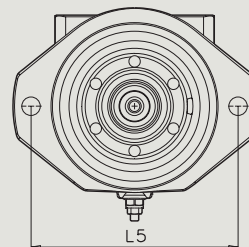
Valve plates use **extremely hard materials** and their geometry is optimized for durability and efficiency.



MKV series feature **fully customizable variable motors** with **several controls** available.

Dimensions

	PMH 55		PMH 72		PMH 90		PMH 110	
	MKF	MKV	MKF	MKV	MKF	MKV	MKF	MKV
L1	132	132	132	156	156	168	156	173
L2	110	110	110	125	130	140	130	140
L3	145	154	148	157	160	169	160	169
L4	158	158	170	170	195	195	195	195
L5	200	200	200	200	224	224	224	224
D1	160	160	160	190	190	200	190	200
D2	DIN 5480							
D3	19	19	25,4	25,4	25,4	25,4	25,4	25,4



versione PMH MKF



**Complete Solutions
from a Single Supplier**

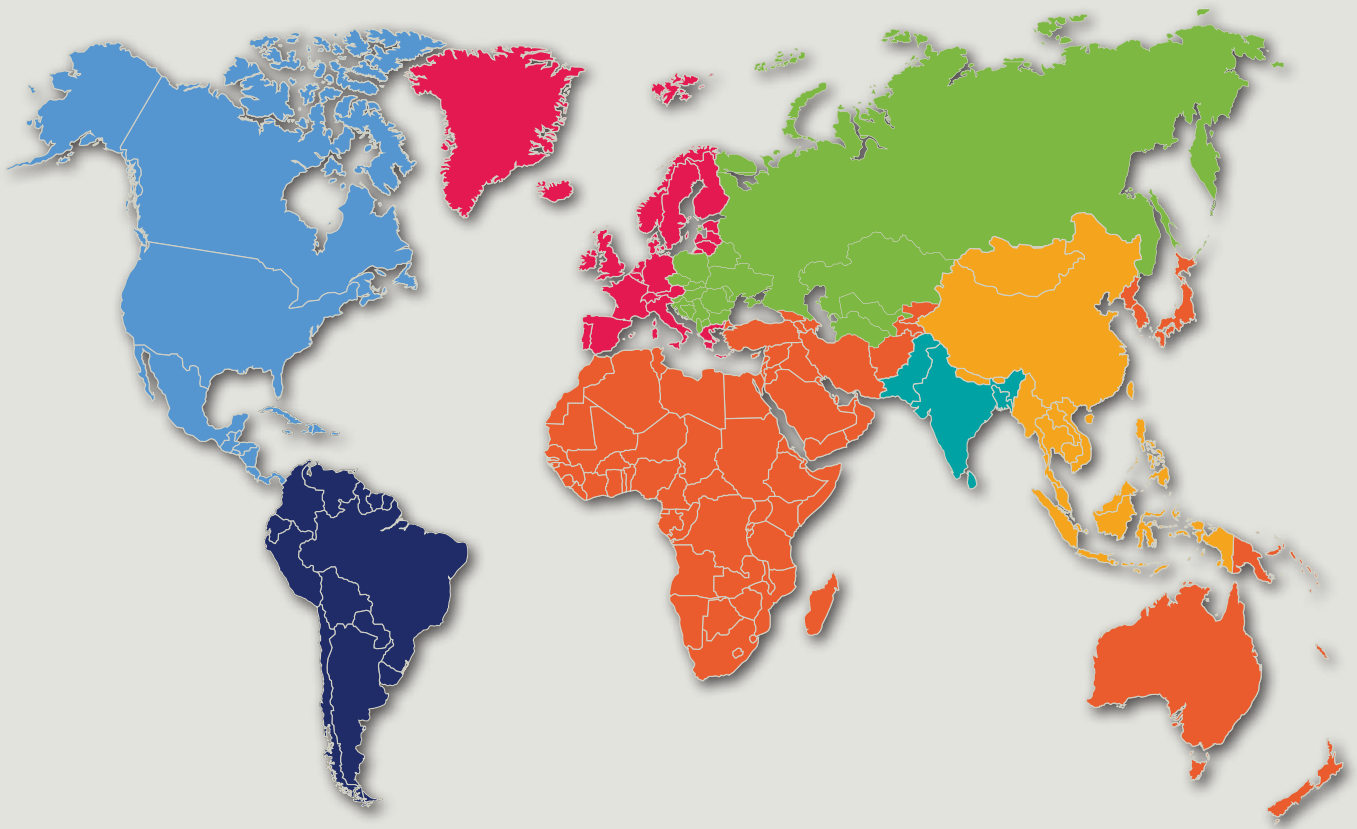
PMP, THE APPLICATION SPECIALIST








Global Presence, worldwide growth

PMP Power Transmission and Fluid Power Divisions are part of PMP Industries Spa, the holding company of an international group including 5 entities, 4 business divisions and 1000 employees worldwide.

Through its four divisions, **PMP Industries is capable of serving a wide range of businesses globally**: from the Construction Equipment to the Steel industry, from AG & Forestry to Mining equipment manufacturers, from the Wind to the Marine industry.

PMP Industries HQ are located in Italy where the company was first established in 1991. Today PMP's four manufacturing locations supply mechanical transmissions, hydraulic transmissions, heavy metal fabrications and dedusting systems worldwide.



- | | | |
|---|---------------------------|---|
|  | WESTERN EUROPE | e-mail: sales.eu@pmp-industries.com
T. +39 0432 863 611 |
|  | NORTH and CENTRAL AMERICA | e-mail: sales.usa@pmp-industries.com
T. +1 513 563 3008 |
|  | SOUTH AMERICA | e-mail: sales.sa@pmp-industries.com
T. +39 0432 863 622 |
|  | CHINA and SOUTH EAST ASIA | e-mail: sales.cn@pmp-industries.com
T. +86 512 827 066 88 |
|  | INDIAN SUBCONTINENT | e-mail: sales.ind@pmp-industries.com
T. +91 2135 252511 |
|  | RUSSIA and EASTERN EUROPE | e-mail: sales.ru@pmp-industries.com
T. +39 0432 863 670 |
|  | REST OF THE WORLD | e-mail: sales@pmp-industries.com
T. +39 0432 863 611 |

ITALY

BOSNIA-HERZEGOVINA

USA

CHINA

INDIA

BRAZIL



**POWER
TRANSMISSION**
Division



**FLUID
POWER**
Division



**STEEL
WORKS**
Division



**ENVIRONMENTAL
DEDUSTING**
Division

PMP
INDUSTRIES

www.pmp-industries.com