

TECHNICAL CATALOGUE

L SERIES



WORM GEARED MOTORS

STANDARD **IEC**



PUJOL

a **TECO** Group company

1. GENERAL INFORMATION

1.1	COMPANY PROFILE	6
1.2	SYMBOLS AND FORMULAS	8
1.2.1	Symbols	8
1.2.2	Formulas	9
1.3	PRODUCT SELECTION	10
1.4	SERVICE FACTOR	11
1.5	INSTALLATION	12

2. PRODUCT INFORMATION

2.1	DESIGN FEATURES	13
2.2	TYOLOGY	14
2.2.1	Designation	14
2.2.2	Versions	19
2.2.3	Modularity	21
2.3	MOUNTING POSITIONS	23
2.3.1	Mounting positions	23
2.3.2	Position of terminal box	25
2.4	EFFICIENCY	26
2.4.1	Efficiency	26
2.4.2	Irreversibility	26
2.5	MESH DATA	27
2.6	ANGULAR BACKLASH	28
2.7	DIRECTION OF ROTATION	29
2.8	CRITICAL APPLICATIONS	30
2.8.1	Critical applications	30
2.8.2	Information	30
2.9	MOTOR FLANGE AVAILABILITY	31
2.9.1	LAC Motor flange availability	31
2.9.2	LAC HYBRID Motor flange availability	32
2.9.3	SXA+LAC Motor flange availability	33
2.9.4	LWC-LXWC Motor flange availability	34
2.9.5	LWC-LXWC HYBRID Motor flange availability	35
2.9.6	Ratios LA/LAC+LAC	36
2.9.7	Ratios LW/LWC+LWC/LXWC	37

2.10	OUTPUT SHAFT BEARINGS	39
2.11	OVERHUNG LOAD	40
2.11.1	Information	40
2.11.2	Input	40
2.11.3	Output	41
2.12	LUBRICATION	42
2.12.1	Information	42
2.12.2	Lubricants	42
2.12.3	Special lubricants	43
2.12.4	Quantity	43
2.13	MOMENTS OF INERTIA	44

3. DIMENSIONS

3.1	REDUCERS/GEARED MOTORS	45
3.1.1	LAC 30X-90X	45
3.1.2	LWPC 40-63	46
3.1.3	LWBC 40-63	47
3.1.4	LXWC 90-130	48
3.1.5	LA 30X-90X	49
3.1.6	LWP 40-63	50
3.1.7	LWB 40-63	51
3.1.8	LW 90-130	52
3.1.9	SXA141+LAC	53
3.1.10	LAC+LAC	54
3.1.11	LA+LAC	54
3.1.12	LWBC+LWPC/LWBC/LXWC	55
3.1.13	LWB+LWPC/LWBC/LXWC-DISEGNO	55
3.2	ELECTRIC MOTORS	56
3.2.1	Electric motors	56
3.2.2	Standard high efficiency (TS), high (TH) and premium (TP) motors	58
3.2.3	Nominal power - [kW]	59
3.3	WEIGHTS	60
3.4	SHAFT END	61

4. ACCESSORIES AND OPTIONS

4.1	LOW SPEED SHAFTS	62
------------	-------------------------------	-----------

4.2	OUTPUT FLANGE	63
4.3	SHAFT MOUNTING FASTENING	66
4.3.1	Torque arm: Mounting position	66
4.3.2	Torque arm: Dimensions	68
4.4	OUTPUT SHAFT COVER	69
4.5	MACHINE AXIS	70

5. PERFORMANCES

5.1	LAC GEARED MOTORS (50Hz)	71
5.2	LA GEAR REDUCER - 2800 rpm	108
5.3	LA GEAR REDUCER - 1750 rpm	111
5.4	LA GEAR REDUCER - 1400 rpm	114
5.5	LA GEAR REDUCER - 1140 rpm	117
5.6	LA GEAR REDUCER - 900 rpm	120
5.7	LA GEAR REDUCER - 500 rpm	123
5.8	LA+LAC GEAR REDUCER - 2800 rpm	126
5.9	LA+LAC GEAR REDUCER - 1750 rpm	129
5.10	LA+LAC GEAR REDUCER - 1400 rpm	132
5.11	LA+LAC GEAR REDUCER - 1140 rpm	135
5.12	LA+LAC GEAR REDUCER - 900 rpm	138
5.13	LA+LAC GEAR REDUCER - 500 rpm	141
5.14	LWPC, LWBC, LXWC GEARED MOTORS (50Hz)	144
5.15	LWP GEAR REDUCER - 2800 rpm	188
5.16	LWP GEAR REDUCER - 1750 rpm	190
5.17	LWP GEAR REDUCER - 1400 rpm	192
5.18	LWP GEAR REDUCER - 1140 rpm	194
5.19	LWP GEAR REDUCER - 900 rpm	196
5.20	LWP GEAR REDUCER - 500 rpm	198
5.21	LWB GEAR REDUCER - 2800 rpm	200
5.22	LWB GEAR REDUCER - 1750 rpm	202

5.23	LWB GEAR REDUCER - 1400 rpm	204
5.24	LWB GEAR REDUCER - 1140 rpm	206
5.25	LWB GEAR REDUCER - 900 rpm	208
5.26	LWB GEAR REDUCER - 500 rpm	210
5.27	LXW GEAR REDUCER - 2800 rpm	212
5.28	LXW GEAR REDUCER - 1750 rpm	213
5.29	LXW GEAR REDUCER - 1400 rpm	214
5.30	LXW GEAR REDUCER - 1140 rpm	215
5.31	LXW GEAR REDUCER - 900 rpm	216
5.32	LXW GEAR REDUCER - 500 rpm	217
5.33	LWB+LWPC GEAR REDUCER - 2800 rpm	218
5.34	LWB+LWPC GEAR REDUCER - 1750 rpm	219
5.35	LWB+LWPC GEAR REDUCER - 1400 rpm	220
5.36	LWB+LWPC GEAR REDUCER - 1140 rpm	221
5.37	LWB+LWPC GEAR REDUCER - 900 rpm	222
5.38	LWB+LWPC GEAR REDUCER - 500 rpm	223
5.39	LWB+LWBC GEAR REDUCER - 2800 rpm	224
5.40	LWB+LWBC GEAR REDUCER - 1750 rpm	225
5.41	LWB+LWBC GEAR REDUCER - 1400 rpm	226
5.42	LWB+LWBC GEAR REDUCER - 1140 rpm	227
5.43	LWB+LWBC GEAR REDUCER - 900 rpm	228
5.44	LWB+LWBC GEAR REDUCER - 500 rpm	229
5.45	LWB+LXWC GEAR REDUCER - 2800 rpm	230
5.46	LWB+LXWC GEAR REDUCER - 1750 rpm	233
5.47	LWB+LXWC GEAR REDUCER - 1400 rpm	236
5.48	LWB+LXWC GEAR REDUCER - 1140 rpm	239
5.49	LWB+LXWC GEAR REDUCER - 900 rpm	242
5.50	LWB+LXWC GEAR REDUCER - 500 rpm	245

6. SALES CONDITIONS

6.1	SALES CONDITIONS	248
-----	------------------------	-----

Motovario® corporate philosophy aims to promote the company's brand and products at an international level with determination and transparency, while constantly striving to offer innovative solutions for satisfying and anticipating the demand of the market. Motovario® provides technologically advanced solutions in the transmission components field for industrial and civil applications worldwide.

The company

At Formigine, the heart of Modena's industrial district, Motovario® boasts a production plant spanning 50,000 m² that employs 500 people.

1965 Foundation of Motovario

1998 Acquisition of Spaggiari Trasmissioni, an important brand in the mechanical technology sector.

2006 Motovario acquisition by a private investment fund managed by Synergo SGR, in order to guarantee its development and support its expansion throughout the world.

2014 Acquisition of Pujol.

2015 Acquisition by TECO.

At the core of Motovario® lies an evolved production process based on technological solutions that convert power into movement. Motovario® is at the heart of the production processes that drive industries worldwide. Quality and reliability are the company's fundamental assets. Motovario® is present throughout the world with branches in France, Spain, Germany, England, China, the United States and India. The sales network and customer service guarantee immediate and high-quality support to all customers. In addition, the company boasts a worldwide network of MAC (Motovario Assembly Centre). Qualified assembly centres are present, in Italy, Australia, Benelux, Bulgaria, China, Finland, France, India, Ireland, Israel, Malaysia, Poland, Portugal, South Korea, Spain, Sweden, Turkey, United Kingdom, Ukraine and USA. The company is able to offer a wide range of products: speed variators, right-angle, helical-bevel, shaft-mounted, worm gear reducers and gearmotors, electric motors, inverter and inverter drives. Maximum quality and precision are ensured by the cutting-edge technologies implemented in the production process. 170 numerical control machines, served by LGV lines for storage in automatic warehouses, ensure a high standard of efficiency for the Motovario® production department.

The highly automated assembly lines are supported by a specific computerised system. The process statistical control system manages the production process to avoid rejects, by enabling the operator to monitor all the processing phases. The annealing, tempering, hardening and carburizing treatments are carried out inside the plant. The plant operates on a 24-hour basis, including holidays. Reliability, resilience and versatility are the distinctive features of Motovario® products, the most qualified solution to any power transmission requirement.

Main fields OF APPLICATIONS

- Mechanical-electromechanical industry (car washing, pumps, barriers & automatic doors, circuit breakers)
- Ceramic industry (ovens, press feeding systems)
- Food, farming, oenology industry
- Wood, marble, glass industry
- Packaging & bottling industry
- Textile, shoes, leather industry
- Transport, logistic industry
- Construction industry
- Milling, animal husbandry, flower industry
- Machine tools & steel industry
- Mining, quarry, cement industry
- Energy industry (solar, nuclear, biomass, wind)
- Amusement industry (theatres, leisure parks, kiddy rides)
- Chemical & pharmaceuticals industry
- Paper & printing industry
- Plastic & rubber industry
- Telecommunications industry (satellite orientation systems, military radar)
- Engineering and consultant companies

Certifications

Our products can be manufactured to conform with the ATEX Directive 2014/34/UE. In addition, the safety and quality of our motors, geared motors and motovariators is guaranteed by the EAC (EurAsian Conformity) certification, an essential requirement for products exported to the Russian Federation. Our motors are UL certified, which guarantees their safety and quality requirements for the North American market.

Quality CONCEPT

Motovario® has obtained the quality certification renewal of its production system in conformity to the UNI EN ISO 9001:2008 standard. This internationally recognised certification acknowledges the company's commitment and drive geared towards constantly improving products, projects and services offered. Moreover, the company has obtained the OHSAS 18001:1999 (Occupational Health and Safety Assessment Series) certification, which defines the requirements of the workplace safety and health management system.

Research & DEVELOPMENT

Technological innovation: a crucial factor for competing in the market. In the company's 50-year history, research and change have been the pivotal factors in guaranteeing competitiveness at a global level, thanks to increasingly advanced products in terms of performance and reliability. Each year the company invests an increasing amount of its turnover in research and development, geared towards promoting the constant study and analysis of products, control processes and performance certification. In order to ensure that customers receive products that comply with the requested performance levels, the company carries out simulations on all new products, including NVH (Noise, Vibration, Harshness) tests effected in the advanced semi-anechoic chamber.

Customer CARE

Innovative instruments and software applications supporting the technical and logistic requirements of our partners worldwide guarantee a timely and customised service. The experience acquired by Motovario® has led to the creation of the new online portal MyMotovario 4.0, which allows for selecting products and exporting their 3D file. As a result, designers and engineering departments can download the three-dimensional model of the requested product and implement it directly in their own layout. In order to maximise customer service and quality, Motovario® offers all its customers the following online services: Order Tracking, which allows for monitoring the progress of an order in real time, and the Stock Availability service, through which users may check the availability (stock) of our products, both in the Italian plant and in the various branches.

Motovario chooses technological evolution.

Motovario® has chosen technological evolution and actively collaborates with the Faculty of Engineering of the University of Modena and Reggio Emilia and of the University of Bologna.

1.2.1 Symbols

Physical dimension	Symbol	Symbol units of measure	Input	Output
Power	P	[kW]	P ₁	P ₂
Requested power	Pr	[kW]	Pr ₁	Pr ₂
Nominal power	Pn	[kW]	Pn ₁	Pn ₂
Torque	M	[Nm]	M ₁	M ₂
Nominal torque	Mn	[Nm]		Mn ₂
Requested torque	Mr	[Nm]	Mr ₁	Mr ₂
Speed	n	[rpm]	n ₁	n ₂
Load	F	[N]		
Radial load	Fr	[N]	Fr ₁	Fr ₂
Radial axial	Fa	[N]	Fa ₁	Fa ₂
Reduction ratio	i			
Dynamic efficiency	η _d			
Service factor	f.s.			
Static	s			
Dynamic	d			
Calculated	c			
Maximum	max			
Minimum	min			
Moment of inertia	J	[kgm ²]	J ₁	
Ambient temperature	T _{amb}	[°C]		
Dimension		[mm]		
Number of screw threads	Zl			
Lead angle	Υ	[° ' "]		
Axial module	Mx			
Dynamic efficiency of n1= 1400 rpm	η _δ (1400)			
Static efficiency	η _s			

1.2.2 Formulas

REDUCER		
Starting or stopping time	$t = v / a$	[s]
Velocity in rotary motion	$v = \pi * d * n / 60$ $v = \omega * r$	[m/s]
Speed velocity Angular velocity	$n = 60 * v / (\pi * d)$ $\omega = v / r$	[rpm] [rad/s]
Acceleration or deceleration according to a starting / stopping time	$a = v / t$	[m/s ²]
Angular acceleration	$\alpha = n / (9,55 * t)$ $\alpha = \omega / t$	[rad/s ²]
Starting or stopping distance (according to acceleration / deceleration or angular velocity)	$s = a * t^2 / 2$ $s = v * t / 2$	[m]
Horizontal translation force	$F = \mu * m * g$	[N]
Vertical translation force (lifting)	$F = m * g$	
Inclined plane translation force	$F = m * g (\mu * \cos\beta + \sin\beta)$	
m= mass [kg]; g= gravity acceleration [m/s ²]; μ = friction coefficient; β = angle of inclination		
Moment of inertia	$J = m * v^2 / \omega^2$	[kgm ²]
Torque	$M = F * d / 2$ $M = J * \omega / t$	[Nm]

MOTOR and GEARMOTOR		
Starting time	$t_a = (J_{ext} + J_m) * n_n / 9,55 + (M_{peak} - M_r)$	[s]
Braking time	$t_s = (J_{ext} + J_m) * n_n / 9,55 + (M_{peak} + M_r)$	[s]
Motor rotation angle during starting	$\varphi = n_n * t_a / 19,1$	[rad]
Motor rotation angle during braking	$\varphi = n_n * t_s / 19,1$	[rad]
Power available at the shaft of single phase motor	$P = V * I * \eta * \cos\omega$	[W]
Power available at the shaft of three phase motor	$P = 1,73 * V * I * \eta * \cos\omega$	[W]

RUNNING at 60Hz		
Speed velocity at 60Hz	$n_{60Hz} = 1,2 * n_{50Hz}$	[rpm]
Power at 60Hz	$P_{60Hz} = P_{50Hz} * V_{60Hz} / V_{50Hz}$	[kW]
If input voltage at 60 Hz (V_{60Hz}) corresponds to winding voltage at 50 Hz (V_{50Hz}), power doesn't change $P_{60Hz} = P_{50Hz}$		
If input voltage at 60 Hz (V_{60Hz}) is 20% higher than winding voltage at 50 Hz (V_{50Hz}), power increases by 20% $P_{60Hz} = 1,2 P_{50Hz}$		
Torque at 60Hz	$M_{60Hz} = M_{50Hz} * P_{60Hz} / (1,2 * P_{50Hz})$	[Nm]
Service factor at 60Hz	$f.s._{60Hz} = f.s._{50Hz} * 1,175 * P_{50Hz} / P_{60Hz}$	-

For correctly selecting a gear reducer or geared motor, several essential pieces of data are required:

1. The rotational input speed to the gear reducer (n_1) and the rotational output speed (n_2). Through these two values it is possible to calculate the reduction ratio (i) of the gear reducer using the following formula: $i = n_1/n_2$
2. The torque required by the application (Mr_2).

The geared motor or gear reducer can be selected once this data is known.

This guide helps you to select the right product in just a few steps:

Geared motor selection

1. Determine the application's actual service factor (**s.f.**). This parameter depends on the type of load of the powered machine, the number of starts per hour and the hours of operation (refer to the "Service factor" paragraph).
2. Calculate the input power Pr_1 using the required torque value Mr_2 , the speed n_2 and dynamic efficiency value. $Pr_1 = (Mr_2 * n_2) / (9550 * \eta_d)$. The dynamic efficiency value depends on the type of gear reducer and on the number of gear reduction stages. (To calculate the efficiency value see its page).
3. Consult the geared motor performance tables and identify a normalised power value Pn_1 exceeding the required power Pr_1 , such that: $Pn_1 \geq Pr_1$
4. Once the suitable nominal power has been identified, select the geared motor capable of generating the rotational speed closest to the desired n_2 value and with service factor s.f. greater or equal to that required by the application.

In the geared motor selection tables the combinations include 2-pole, 4-pole and 6-pole motors powered at 50Hz.

Gear reducer selection

1. Determine the application's service factor (**s.f.**) (consult to the "Service factor" paragraph on its page) .
2. Calculate the reduction ratio i from the requested output speed n_2 and from the input speed n_1 . $i = n_1/n_2$
3. Calculate the torque M_{c2} for selecting the gear reducer through the torque required by the application Mr_2 and the service factor s.f.: $M_{c2} = Mr_2 * (f.s.)$
4. Consult the Gear Reducer Performance tables looking for the reducer that, with the reduction ratio closer to the calculated one, has a nominal torque Mn_2 so that: $Mn_2 \geq M_{c2}$

Checks

Once the gear reducer or geared motor has been selected, the following checks should be performed:

A. Maximum torque

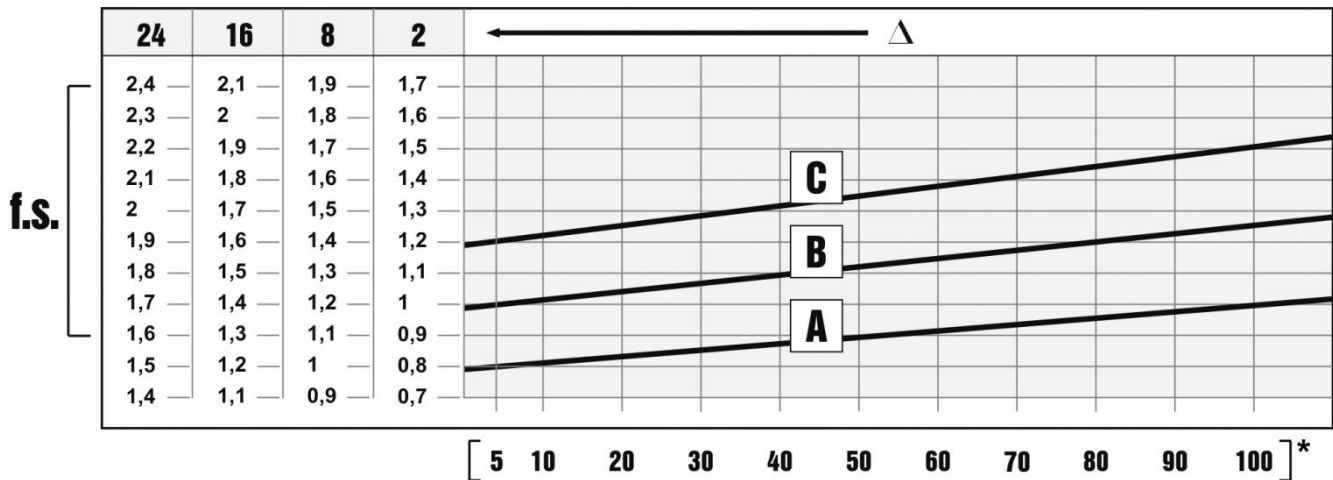
Generally, the maximum torque (peak instantaneous load) that can be applied to the gear reducer must not exceed 200% of the nominal torque Mn_2 (ATEX - M_{2max}).

B. Radial loads

1. Verify that the radial loads acting on the input and/or output shafts are within with the values indicated in the catalogue. If they exceed these values, increase the size of the gear reducer or modify the external load capacity. During the checking phase, it is important to remember that the values indicated in the catalogue refer to loads acting on the mid-point of the shaft protrusion, therefore, if the load is applied to a different position, appropriate formulas must be used to calculate the admissible load in the desired position (refer to the "Radial loads" paragraph).

2. If accessory output shafts are present, make sure that the applied load is compatible with shaft size. If help is needed: contact MOTOVARIO TECHNICAL SERVICE.

C. If an electric motor is going to be fitted to the selected gear reducer, check for its applicability by referring to the configuration table (see paragraph "Motor flange availability"). From IEC 180 motors, verify if necessary to support the motor with feet. In case of need please contact MOTOVARIO TECHNICAL SERVICE.



The service factor (f.s.) depends on the operating conditions the gear reducer is subjected to.

The parameters that need to be taken into consideration to select the most adequate service factor correctly comprise:

- type of load of the operated machine : A - B - C
- length of daily operating time: hours/day (Δ)
- start-up frequency: starts/hour (*)

LOAD:

- **A** - uniform = $f_a \leq 0,3$
- **B** - moderate shocks = $f_a \leq 3$
- **C** - heavy shocks = $f_a \leq 10$

$f_a = J_e/J_m$

- J_e [kgm^2] moment of reduced external inertia at the drive-shaft
- J_m [kgm^2] moment of inertia of motor

If $f_a > 10$ call MOTOVARIO TECHNICAL SERVICE.

- Screw feeders for light materials, fans, assembly lines, conveyor belts for light materials, small mixers, lifts, cleaning machines, fillers, control machines.
- Winding devices, woodworking machine feeders, goods lifts, balancers, threading machines, medium mixers, conveyor belts for heavy materials, winches, sliding doors, fertilizer scrapers, packing machines, concrete mixers, crane mechanisms, milling cutters, folding machines, gear pumps.
- Mixers for heavy materials, shears, presses, centrifuges, rotating supports, winches and lifts for heavy materials, grinding lathes, stone mills, bucket elevators, drilling machines, hammer mills, cam presses, folding machines, turntables, tumbling barrels, vibrators, shredders.

To install the gear reducer it is necessary to note the following recommendations:

- Check the correct direction of rotation of the gear reducer output shaft before fitting the unit to the machine.
- In the case of particularly lengthy periods of storage (4/6 months), if the oil seal is not immersed in the lubricant inside the unit, it is recommended to change it since the rubber could stick to the shaft or may even have lost the elasticity it needs to function properly.
- Whenever possible, protect the gear reducer against solar radiation and bad weather.
- Ensure the motor cools correctly by ensuring good passage of air from the fan side.
- In the case of ambient temperatures $< -5^{\circ}\text{C}$ or $> +40^{\circ}\text{C}$ call MOTOVARIO TECHNICAL SERVICE.
- The various parts (pulleys, gear wheels, couplings, shafts, etc.) must be mounted on the solid or hollow shafts using special threaded holes or other systems that anyhow ensure correct operation without risking damage to the bearings or external parts of the units. Lubricate the surfaces in contact to avoid seizure or oxidation.
- Painting must definitely not go over rubber parts and the holes on the breather plugs, if any.
- For units equipped with oil plugs, replace the closed plug used for shipping with the special breather plug.
- Check the correct level of the lubricant through the indicator, if there is one.
- Starting must take place gradually, without immediately applying the maximum load.
- When there are parts, objects or materials under the motor drive that can be damaged by even limited spillage of oil, special protection should be fitted.

Please note: in the event of a cover with adhesive label having to be replaced, you will have to stick a new label onto the new cover. Please contact MOTOVARIO S.A.U. and we can supply you with one.

MOTOVARIO S.A.U. products are supplied with the following surface treatment features:

Die-cast aluminium alloy cases for gears (sizes LA 30X-90X)

Die-cast materials undergo the following surface cleaning operations:

- De-burring by means of a mechanically operated shearing system.
- Accurate shot-peening.
- Painting.
- Washing and passivation.

Grey-coloured cast-iron cases for gears (sizes LW 40-63 LXW 90-130)

- Die-cast materials are always painted.

Painting specifications:

- Polyester resin based heat-hardening powders, altered with epoxy resins.

Mechanical properties: Tests carried out onto degreased Unichim white lattens (film thickness: 60 microns) comply with the following specifications: adherence (ISO2409).

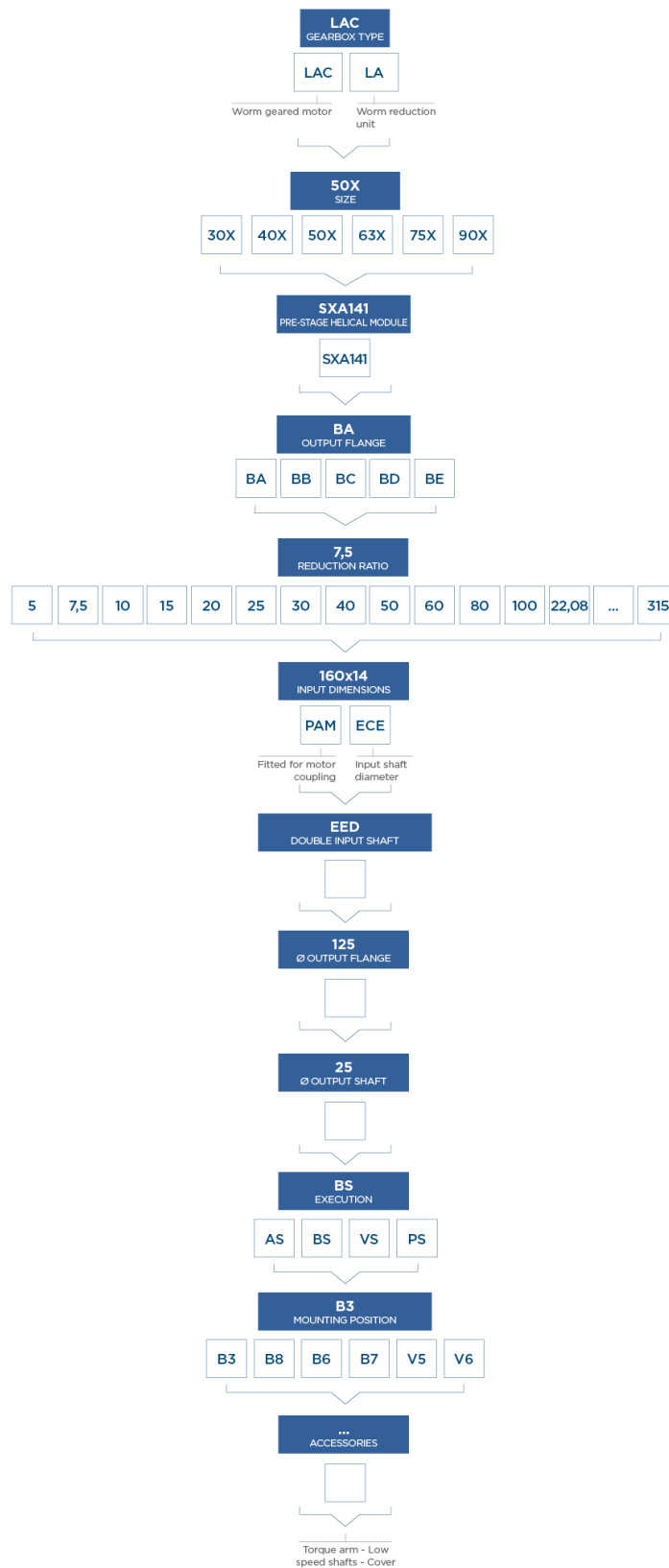
Heat resistance: 24 HOURS AT 150°C.

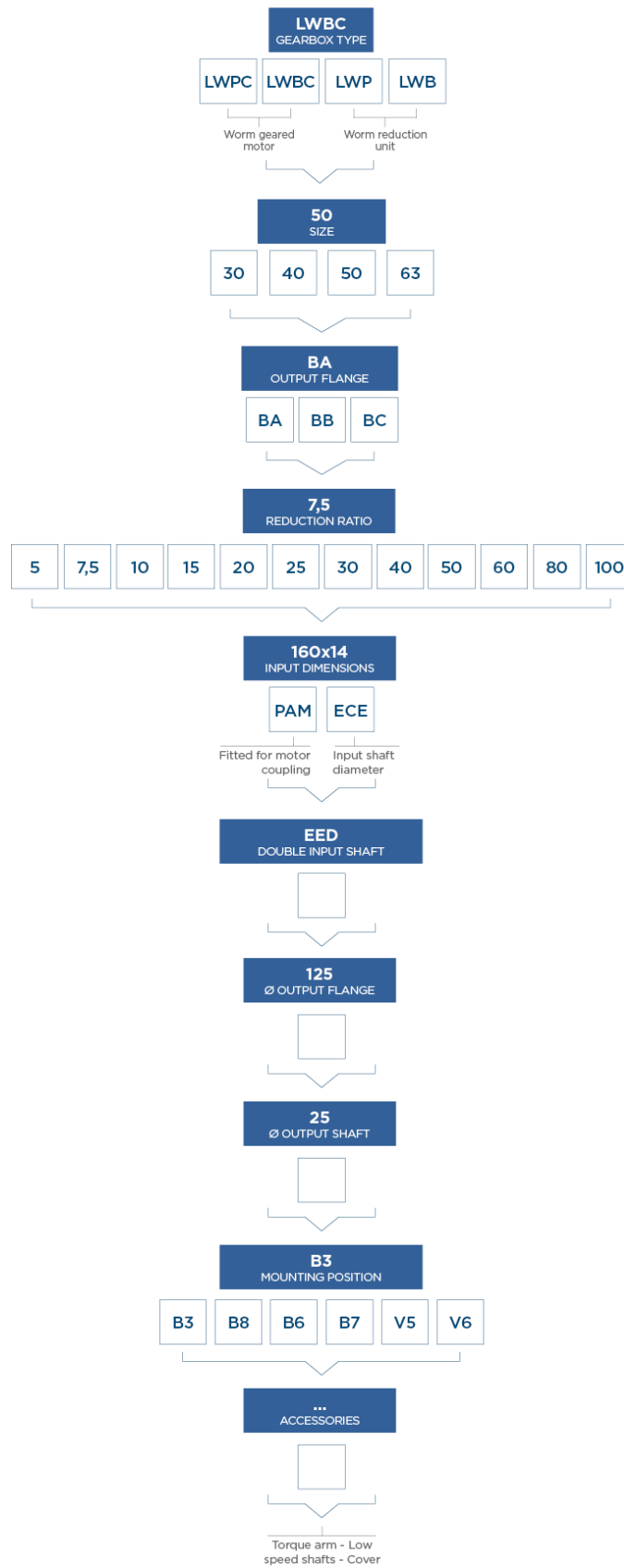
Corrosion strength: ASTM B 117/97 salt fog from 100 to 500 hours depending on the support's preliminary treatment.

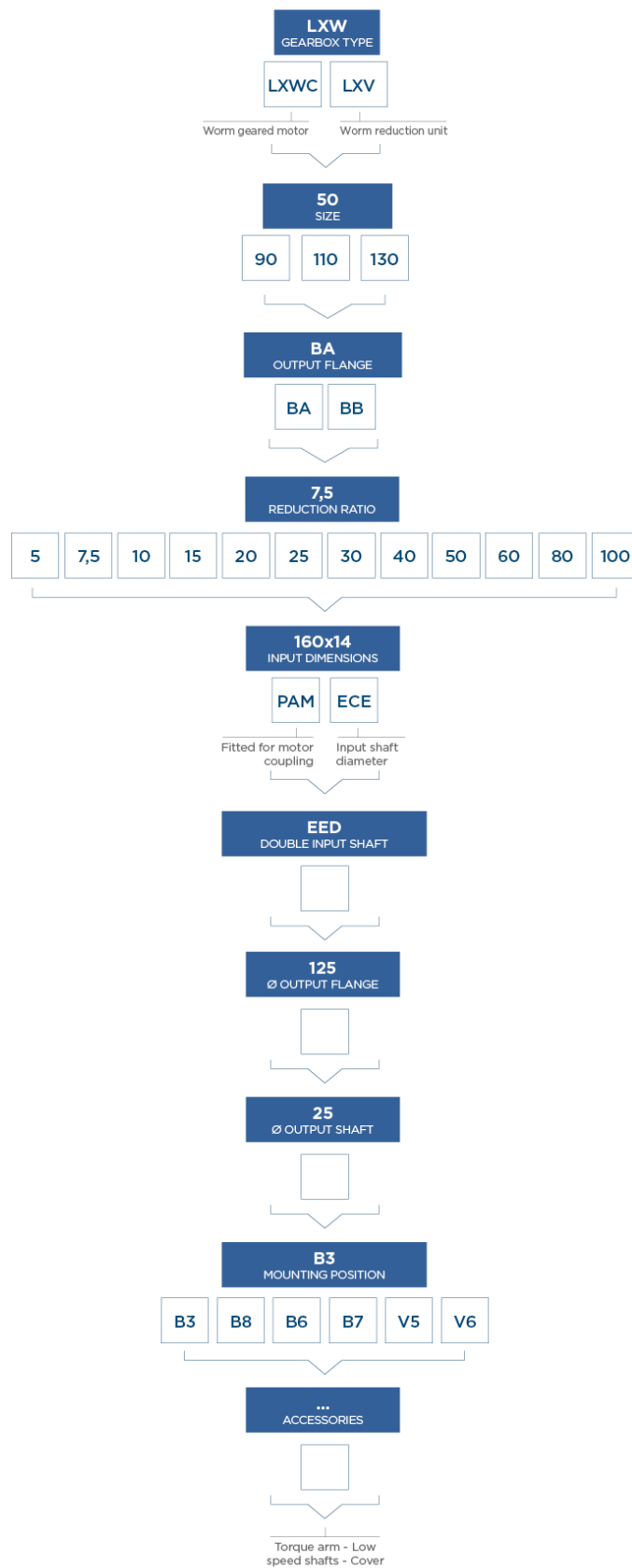
Performance:

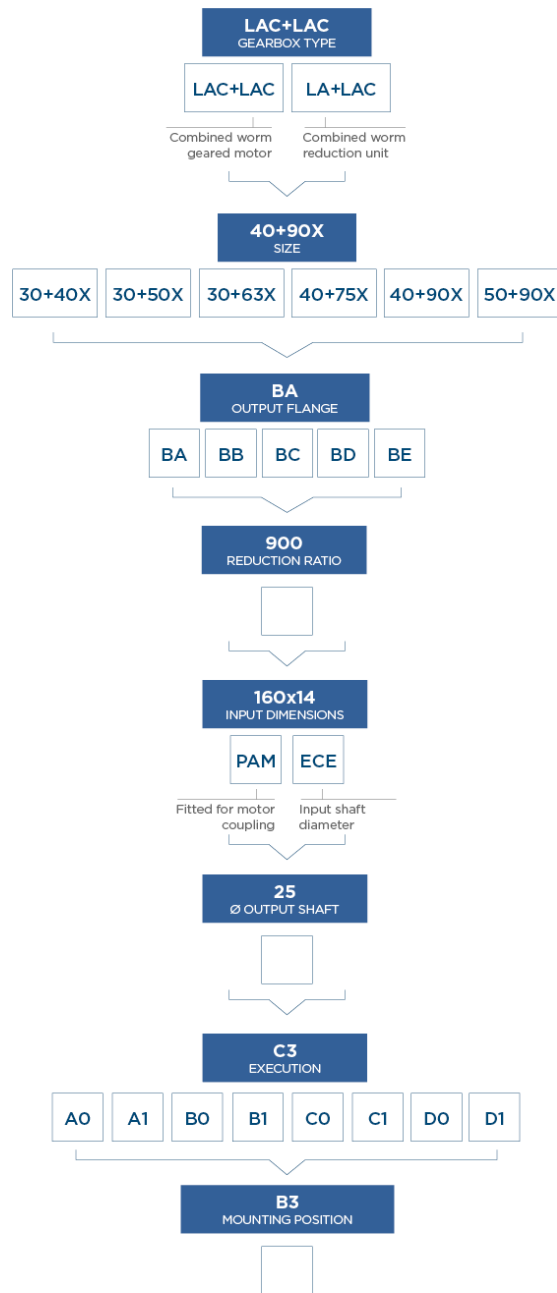
- Loading capacity in accordance with: ISO 14521, DIN 3996, BS 721, AGMA 6034, ISO 6336, DIN 3990, DIN 743, ISO 281.

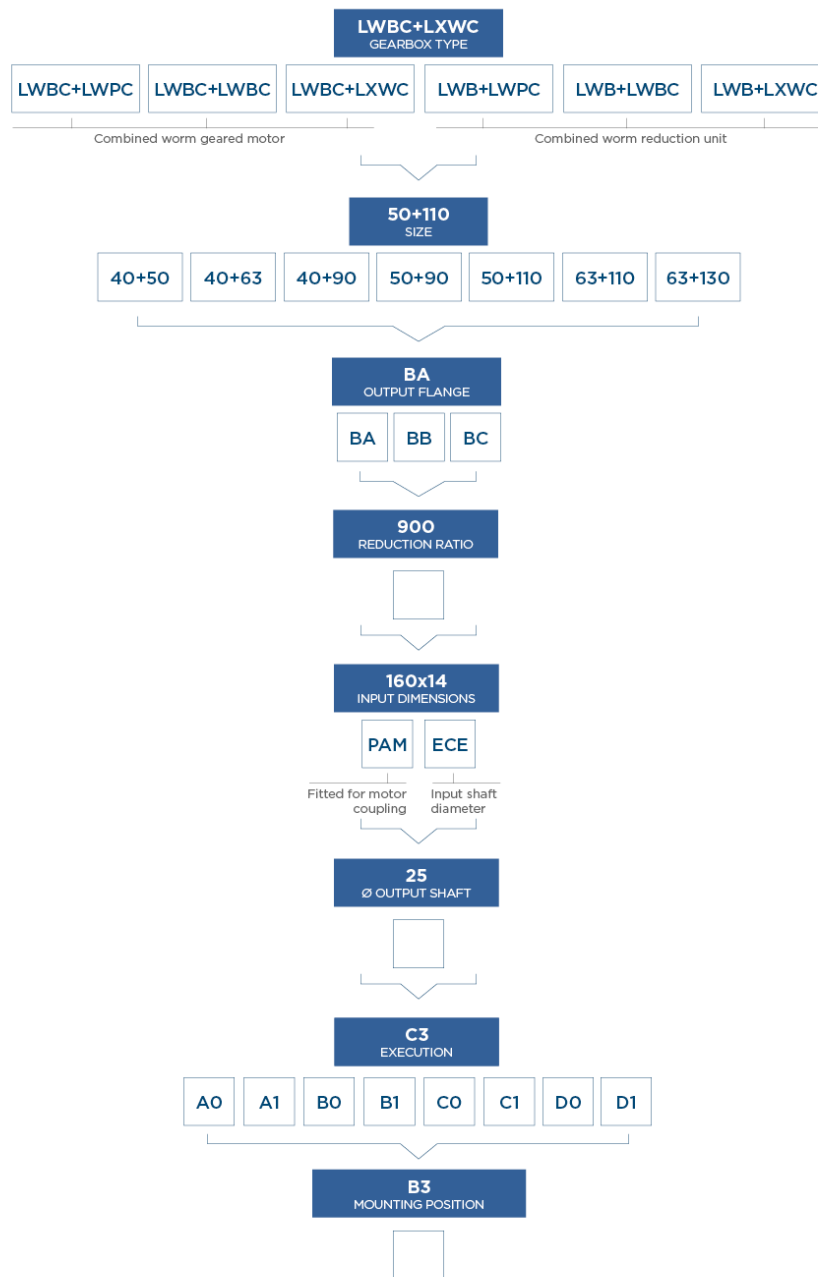
2.2.1 Designation



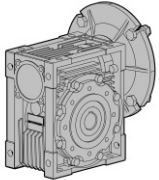
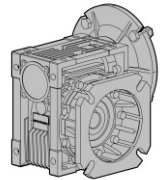
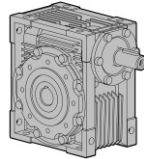
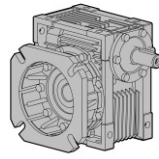
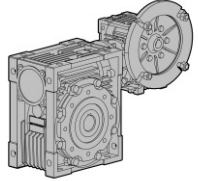
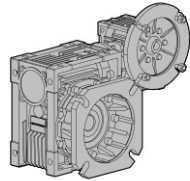
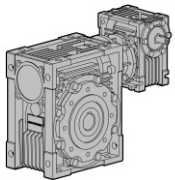
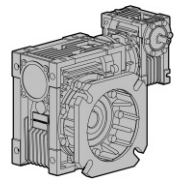
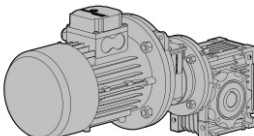
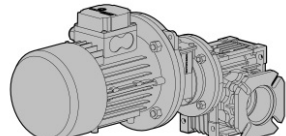


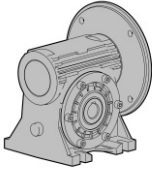
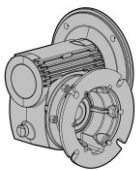
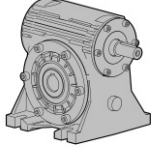
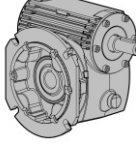
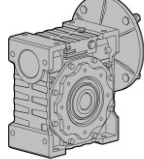
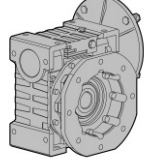
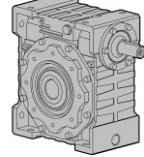
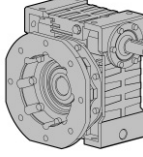
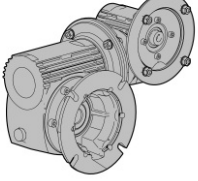
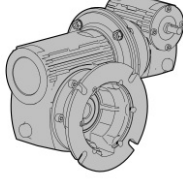




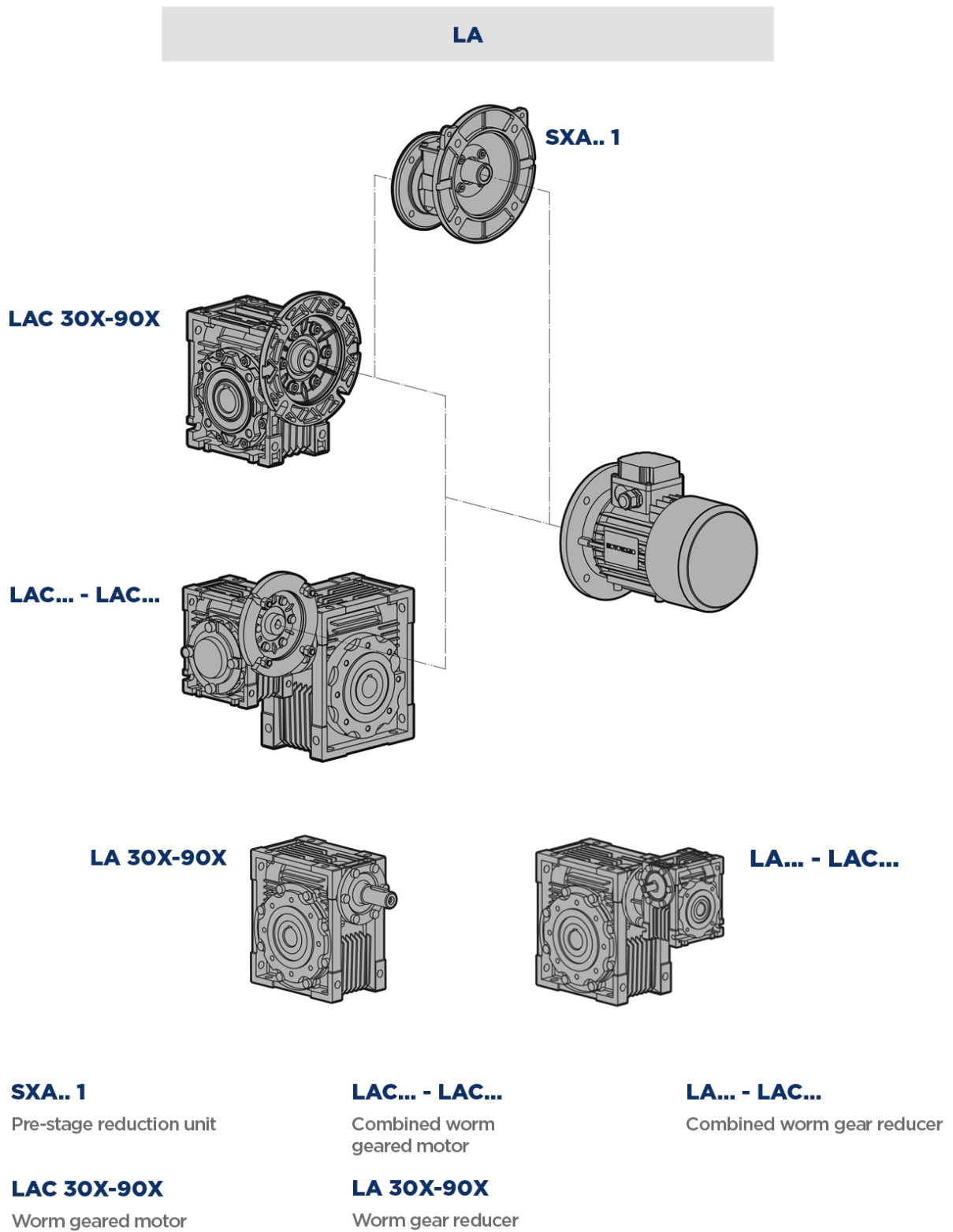


2.2.2 Versions

LA	
LAC 30X-90X	LAC 30X-90X B
	
LA 30X-90X	LA 30X-90X B
	
LAC...-LAC...	LAC...-LAC...B
	
LA...-LAC...	LA...-LAC...B
	
SXA141+LAC...	SXA141+LAC...B
	

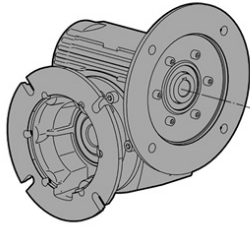
LW - LXW	
LWPC 40-63	LWBC 40-63
	
LWP 40-63	LWB 40-63
	
LXWC 90-130	LXWC 90-130 B
	
LXW 90-130	LXW 90-130 B
	
LWBC-LWBC / LWBC-LWPC / LWBC-LXWC	LWB-LWBC / LWB-LWPC / LWB-LXWC
	

2.2.3 Modularity

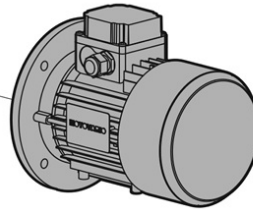
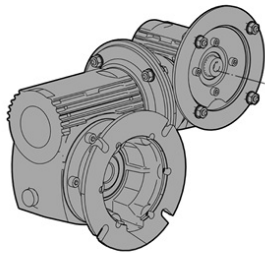


LW-LXW

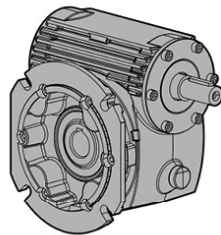
**LW.C 40-63
LXWC 90-130**



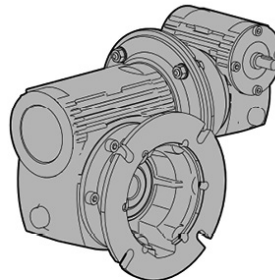
**LW.C... - LW.C
LW.C... - LXWC**



**LW. 40-63
LXW 90-130**



**LW... - LW.C
LW... - LXWC**



**LW.C 40-63
LXWC 90-130**

Worm geared motor

**LW.C... - LW.C
LW.C... - LXWC**

Combined worm geared motor

**LW. 40-63
LXW 90-130**

Worm gear reducer

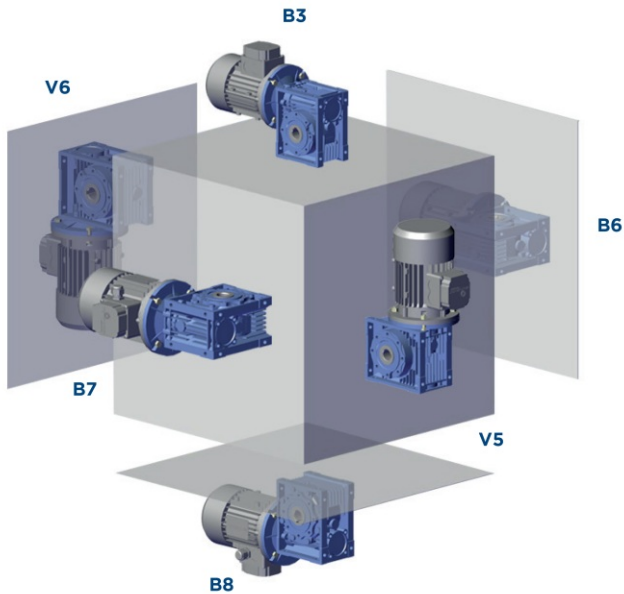
**LW... - LW.C
LW... - LXWC**

Combined worm gear reducer

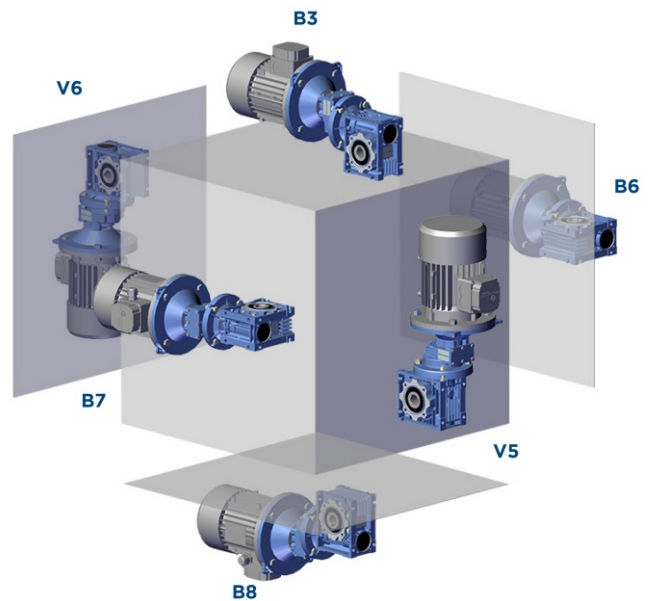
2.3.1 Mounting positions

The mounting position of the gear unit identifies its space orientation. Unless specified otherwise, the standard positions are B3/BS. B3 mounting position, as from a technical point of view, ensures lower oil splash, better lubrication and less heating. For positions not envisaged, it is necessary to contact MOTOVARIO TECHNICAL SERVICE. "U" version is related to sizes from LAC 30X-75X, LA 30X-63X, LWC 40-63, LW 40-63, LXWC 90, LXW 90. For these sizes it is not necessary to specify mounting position. For LAC 90X mounting position B3 is valid also for B6-B7-B8. Mounting positions V5 and V6 must be specified. For LXWC 110-130 mounting positions B3-B6-B7-B8-V5-V6 must be specified. (*SXA141+LAC) The mounting position is U and it is valid for all mounting positions.

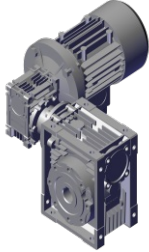
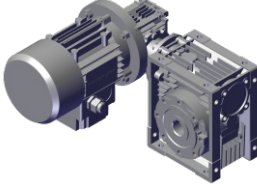
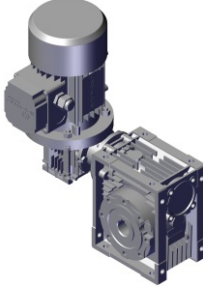
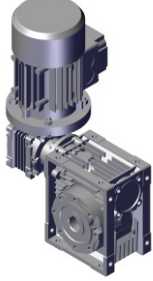
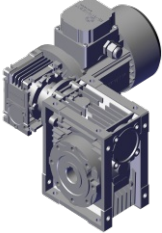
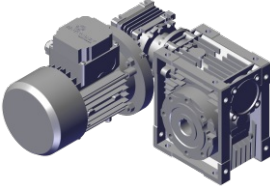
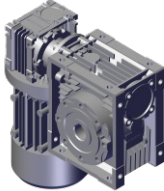
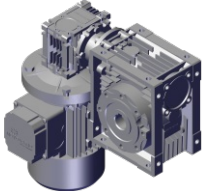
LAC - LA - LWC - LW - LXWC - LXW

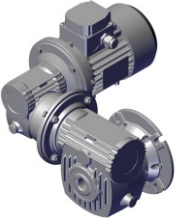
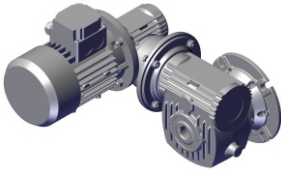

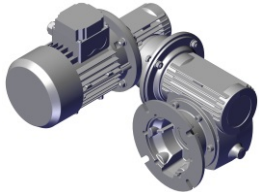
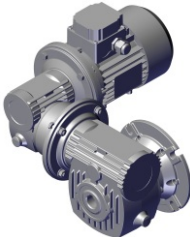
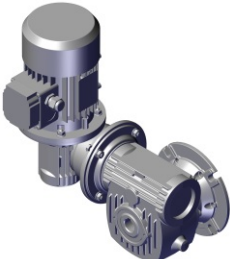
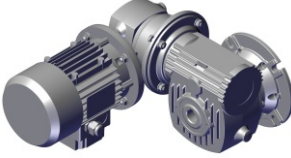



SXA141 + LAC (*)



Execution

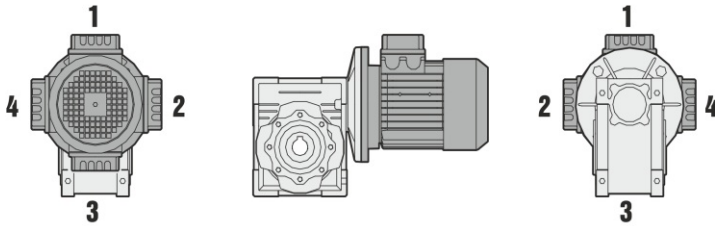
LAC+LAC - LA+LAC			
A0	A1	B0	B1
			
C0	C1	D0	D1
			

LWC+LWC - LWC+LXWC - LW+LWC - LW+LXWC			
Mounting			
0	1	2	3
			
Position			
A	B	C	D
			

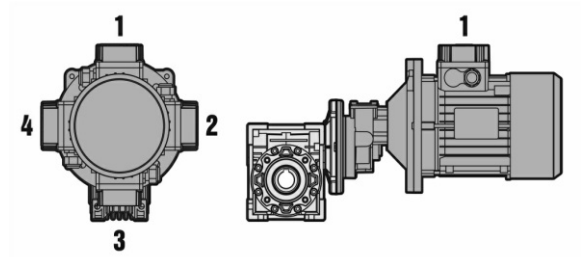
2.3.2 Position of terminal box

In the case of specific requirements, when ordering, specify the position of the terminal box as shown in the diagram. Unless otherwise specified, the gear reducer is supplied with terminal box in position 1. Terminal box position always refers to SXA position.

LACM - LWCM - LXWCM



SXA+LAC



2.4.1 Efficiency

Efficiency is a parameter which has a major influence on the sizing of certain applications, and basically depends on gear pair design elements. The mesh data table shows dynamic efficiency ($n_1=1400$) and static efficiency values. These values are only valid after the unit has been run in, is being used at ambient temperatures of 25°C, where service factor is 1 and with standard lubricant.

Dynamic irreversibility

Dynamic irreversibility is achieved when the output shaft stops instantly when drive is no longer transmitted through the worm shaft. This condition requires a dynamic efficiency of $\eta_d < 0.5$.

Static irreversibility

Static irreversibility is achieved when, with the gear reducer at a standstill, the application of a load to the output shaft does not set in motion the worm shaft. This condition requires a static efficiency of $\eta_s < 0.5$.

N.B.: Vibrations and shocks can affect a gear reducer's irreversibility.

2.4.2 Irreversibility

η_d	DYNAMIC IRREVERSIBILITY
>0.6	dynamic reversibility
0.5÷0.6	low dynamic reversibility
0.4÷0.5	good dynamic irreversibility
<0.4	dynamic irreversibility

η_s	STATIC IRREVERSIBILITY
>0.55	static reversibility
0.5÷0.55	low static reversibility
<0.5	static irreversibility

The table shows approximate irreversibility classes.

The irreversibility condition of combined gear reducers is given by the units with the lowest efficiency.

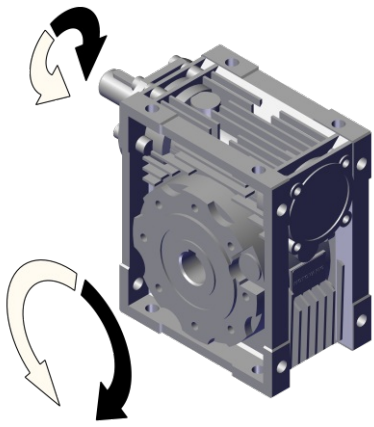
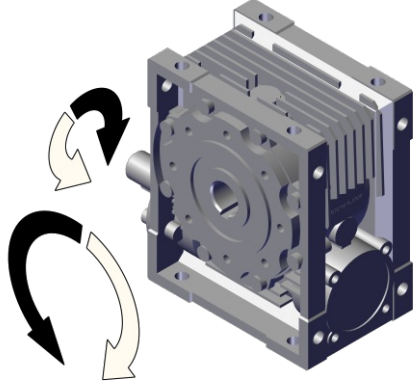
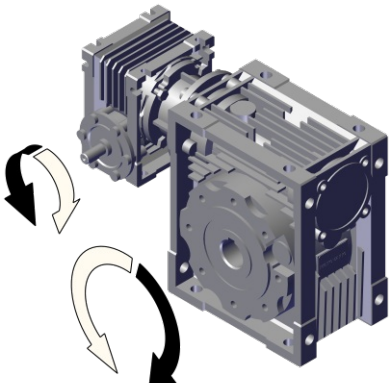
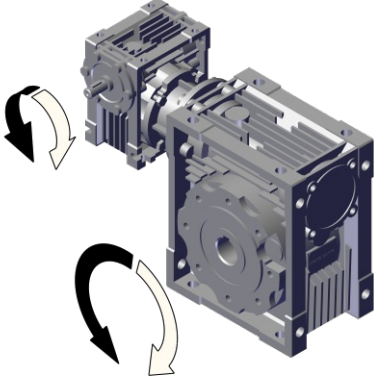
	i	5	7,5	10	15	20	25	30	40	50	60	80	100
30	Z1	6	4	3	2	2	1	1	1	1	1	1	-
	Υ	27°04'	18°49'	14°20'	9°40'	7°42'	5°35'	4°52'	3°52'	3°12'	2°45'	2°07'	
	Mx	1,44	1,44	1,44	1,44	1,09	1,7	1,44	1,09	0,89	0,74	0,56	
	ηδ(1400)	0,87	0,85	0,83	0,78	0,74	0,69	0,66	0,6	0,56	0,52	0,45	
	ηs	0,72	0,67	0,63	0,55	0,5	0,43	0,39	0,35	0,31	0,27	0,23	
40	Z1	6	4	3	2	2	2	1	1	1	1	1	1
	Υ	34°19'	24°28'	18°51'	12°49'	10°23'	8°43'	6°29'	5°14'	4°23'	3°47'	2°57'	2°25'
	Mx	2,06	2,06	2,06	2,06	1,57	1,27	2,06	1,57	1,27	1,06	0,81	0,65
	ηδ(1400)	0,89	0,87	0,85	0,83	0,79	0,76	0,71	0,66	0,63	0,59	0,53	0,48
	ηs	0,74	0,71	0,67	0,6	0,55	0,51	0,45	0,4	0,36	0,32	0,28	0,24
50	Z1	6	4	3	2	2	2	1	1	1	1	1	1
	Υ	33°37'	23°54'	18°23'	12°30'	10°06'	8°29'	6°19'	5°06'	4°16'	3°40'	2°52'	2°21'
	Mx	2,56	2,56	2,56	2,56	1,95	1,58	2,56	1,95	1,58	1,32	1	0,8
	ηδ(1400)	0,89	0,88	0,87	0,83	0,8	0,77	0,73	0,68	0,64	0,6	0,54	0,5
	ηs	0,74	0,7	0,66	0,59	0,55	0,51	0,44	0,39	0,35	0,32	0,27	0,23
63	Z1	-	4	3	2	2	2	1	1	1	1	1	1
	Υ	-	24°31'	18°53'	12°51'	10°25'	8°45'	6°30'	5°15'	4°24'	3°47'	2°58'	2°26'
	Mx	-	3,25	3,25	3,25	2,48	2	3,25	2,48	2	1,68	1,27	1,02
	ηδ(1400)	-	0,89	0,87	0,84	0,82	0,79	0,75	0,71	0,67	0,63	0,58	0,52
	ηs	-	0,71	0,67	0,6	0,55	0,51	0,45	0,4	0,36	0,33	0,28	0,24
75	Z1	-	4	3	2	2	2	1	1	1	1	1	1
	Υ	-	26°17'	20°20'	13°52'	11°18'	9°32'	7°02'	5°42'	4°48'	4°08'	3°14'	2°40'
	Mx	-	3,94	3,94	3,94	3	2,42	3,94	3	2,42	2,03	1,54	1,24
	ηδ(1400)	-	0,89	0,88	0,86	0,83	0,81	0,77	0,73	0,7	0,66	0,61	0,56
	ηs	-	0,71	0,68	0,61	0,57	0,53	0,46	0,42	0,38	0,35	0,29	0,26
90	Z1	-	4	3	2	2	2	1	1	1	1	1	1
	Υ	-	29°11'	22°44'	15°36'	12°50'	10°54'	7°57'	6°30'	5°30'	4°46'	3°45'	3°06'
	Mx	-	4,84	4,84	4,84	3,69	2,98	4,84	3,69	2,98	2,5	1,89	1,52
	ηδ(1400)	-	0,9	0,89	0,87	0,85	0,83	0,79	0,76	0,73	0,7	0,64	0,6
	ηs	-	0,73	0,7	0,64	0,6	0,56	0,49	0,45	0,41	0,38	0,32	0,28
110	Z1	-	4	3	2	2	2	1	1	1	1	1	1
	Υ	-	28°15'	21°57'	15°02'	14°41'	12°34'	7°39'	7°28'	6°22'	5°32'	4°24'	3°39'
	Mx	-	5,875	5,875	5,875	4,62	3,73	5,875	4,62	3,73	3,13	2,37	1,91
	ηδ(1400)	-	0,9	0,89	0,87	0,86	0,85	0,8	0,79	0,76	0,73	0,68	0,64
	ηs	-	0,72	0,69	0,63	0,62	0,59	0,48	0,48	0,44	0,41	0,36	0,32
130	Z1	-	4	3	2	2	2	1	1	1	1	1	1
	Υ	-	28°41'	22°19'	15°18'	13°52'	11°49'	7°47'	7°02'	5°58'	5°11'	4°07'	3°24'
	Mx	-	6,97	6,97	6,97	5,4	4,37	6,97	5,4	4,37	3,67	2,77	2,23
	ηδ(1400)	-	0,91	0,89	0,87	0,87	0,85	0,81	0,79	0,76	0,73	0,69	0,65
	ηs	-	0,72	0,69	0,63	0,61	0,58	0,49	0,46	0,43	0,39	0,34	0,3

These values can be detected on the output shaft, with the input shaft locked. For applications requiring controlled or reduced backlash, please contact MOTOVARIO TECHNICAL SERVICE.

LA 30X	LA 40X LW 40	LA 50X LW 50	LA 63X LW 63	LA 75X	LA 90X LXW 90	LXW 110	LXW 130
20' ÷ 44'	18' ÷ 34'	18' ÷ 32'	18' ÷ 28'	16' ÷ 24'	6' ÷ 18'	6' ÷ 14'	6' ÷ 12'

The worm screw rotation is right-handed.

DIRECTION OF ROTATION - HIGH SPEED SHAFT

LAC - LA - LWC - LW - LXWC - LXW	
Mounting positions B3	Mounting positions B8
	
LAC+LAC - LA+LAC - LWC+LWC - LWC+LXWC - LW+LWC - LW+LXWC	
Mounting positions C0	Mounting positions A1
	

2.8.1 Critical applications

	LA					
	30X	40X	50X	63X	75X	90X
V5: 1500 < n1 < 3000	✓	✓	✓	B	B	B
n1 > 3000	B	B	B	B	B	A
V6	B	B	B	B	B	B

	LW			LXW		
	40	50	63	90	110	130
V5: 1500 < n1 < 3000	✓	✓	✓	B	B	B
n1 > 3000	B	B	B	A	A	A
V6	B	B	B	B	B	B

	SXA141
V5 - V1: 1500 < n1 < 3000	✓
n1 > 3000	B
V3 - V6	B

✓ Verified application

A Application not recommended

B Check the application and/or call MOTOVARIO TECHNICAL SERVICE.

2.8.2 Information

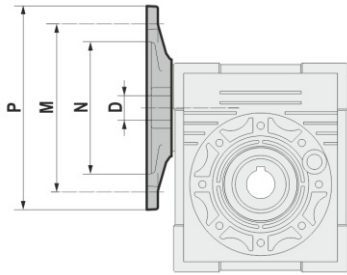
The performance given in the catalogue correspond to mounting position B3 or similar, when the first stage is not entirely immersed in oil. For other mounting positions and/or particular input speeds, refer to the tables that highlight different critical situations for each size of gear reducer. It is also necessary to take due consideration of and carefully assess the following applications by calling MOTOVARIO TECHNICAL SERVICE:

- To avoid the use as multiplier.
- Use in services that could be hazardous for people if the gear reducer fails.
- Applications with especially high inertia.
- Use as a lifting winch.
- Applications with high dynamic strain on the case of the gear reducer.
- In places with T_{amb} under -5°C or over 40°C .
- Use in chemically aggressive environments.
- Use in a salty environment.
- Mounting positions not envisaged in the catalogue.
- Use in radioactive environments.
- Use in environments pressures other than atmospheric pressure.

Avoid applications where even partial immersion of the reducer is required.

In the presence of overloading due to full load, braking, shocks or other static and dynamic causes, please verify that the peak torque is less than $2 \cdot Mn_2$.

2.9.1 LAC Motor flange availability

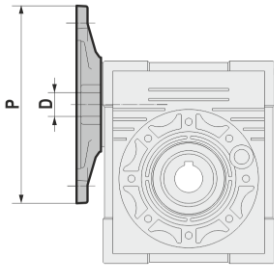


- (•) Motor-ratio combination feasible.
- (**) Motor-ratio combination not feasible.
- (+) Motor-ratio combination not to be used, out of warranty terms.

The table reports possible configurations strictly based on geometric criteria. To determine the compatibility of a motor-gear unit assembly in terms of mechanical factors, double check the selected configuration against the rating charts for LA performances.

LAC	PAM IEC	N	M	P	D	i											
						5	7,5	10	15	20	25	30	40	50	60	80	100
30X	63B5	95	115	140	11	•	•	•	•	•	•	•	•	•	**	**	**
	63B14	60	75	90	11	•	•	•	•	•	•	•	•	•	•	•	•
	56B5	80	100	120	9	•	•	•	•	•	•	•	•	•	•	•	**
	56B14	50	65	80	9	•	•	•	•	•	•	•	•	•	•	•	•
40X	71B5	110	130	160	14	•	•	•	•	•	•	•	•	**	**	**	**
	71B14	70	85	105	14	•	•	•	•	•	•	•	•	•	•	•	•
	63B5	95	115	140	11	•	•	•	•	•	•	•	•	•	•	•	•
	63B14	60	75	90	11	**	**	**	**	**	**	**	**	•	•	•	•
50X	80B5	130	165	200	19	•	•	•	•	•	•	•	**	**	**	**	**
	80B14	80	100	120	19	•	•	•	•	•	•	•	•	•	•	•	**
	71B5	110	130	160	14	•	•	•	•	•	•	•	•	•	•	•	**
	71B14	70	85	105	14	**	**	**	**	**	**	**	•	•	•	•	•
63X	90B5	130	165	200	24	**	•	•	•	•	•	•	•	+	+	+	+
	90B14	95	115	140	24	**	•	•	•	•	•	•	**	**	**	**	**
	80B5	130	165	200	19	**	•	•	•	•	•	•	**	**	**	**	**
	80B14	80	100	120	19	**	**	**	**	**	**	**	•	•	•	**	**
	71B5	110	130	160	14	**	**	**	**	**	**	**	•	•	•	•	•
	71B14	70	85	105	14	**	•	•	•	**	**	**	**	**	**	**	**
75X	100/112B5	180	215	250	28	**	•	•	•	•	•	•	•	**	**	**	**
	100/112B14	110	130	160	28	**	**	**	**	**	**	**	**	**	**	**	**
	90B5	130	165	200	24	**	•	•	•	•	•	•	•	**	**	**	**
	90B14	95	115	140	24	**	**	**	**	•	•	•	•	•	•	•	•
	80B5	130	165	200	19	**	**	**	**	•	•	•	•	•	•	•	•
	80B14	80	100	120	19	**	**	**	**	**	**	**	**	•	•	•	•
90X	100/112B5	180	215	250	28	**	•	•	•	•	•	•	**	**	**	**	**
	100/112B14	110	130	160	28	**	**	**	**	**	**	**	**	**	**	**	**
	90B5	130	165	200	24	**	•	•	•	•	•	•	•	•	•	**	**
	90B14	95	115	140	24	**	**	**	**	**	**	**	**	**	**	**	**
	80B5	130	165	200	19	**	**	**	**	**	**	**	•	•	•	•	•
	80B14	80	100	120	19	**	**	**	**	**	**	**	•	•	•	•	•

2.9.2 LAC HYBRID Motor flange availability



The table report possible configurations strictly based on geometric criteria. To determine the compatibility of a motor-gear unit assembly in terms of mechanical factors, double check the selected configuration against the rating charts for LA performances.

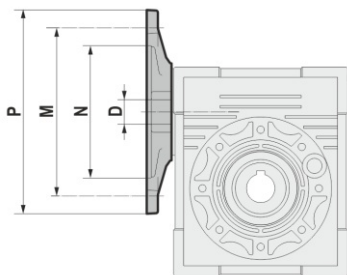
LAC	P	i											
		5	7,5	10	15	20	25	30	40	50	60	80	100
		D											
30X	140												
	120	11	11	11	11	11	11	11	11	11	9	9	-
	90	9	9	9	9	9	9	9	9	9			
	80												
40X	160												
	140												
	120	14	14	14	14	14	14	14	14	11	11	11	11
	105	11	11	11	11	11	11	11	11	9	9	9	9
50X	200												
	160												
	140	19	19	19	19	19	19	19	14	14	14	14	11
	120	14	14	14	14	14	14	14	11	11	11	11	11
63X	200												
	160												
	140	-	24	24	24	24	24	24	19	19	19	14	14
	120		19	19	19	19	19	19	14	14	14		
75X	250												
	200												
	160	-	28	28	28	24	24	24	24	19	19	19	19
	140		24	24	24	19	19	19	19	14	14	14	14
90X	250												
	200												
	160	-	28	28	28	28	28	28	24	24	24	19	19
	140		24	24	24	24	24	24	19	19	19		
	120												

2.9.3 SXA+LAC Motor flange availability

SXA141	LAC 40X	11x12	63	71	80
2,94	7,5	22,08	B5	B5	B5
4,75	5	23,75	B5	B5	B5
5,10	5	25,50	B5	B5	
2,94	10	29,44	B5	B5	
6,30	5	31,50	B5	B5	
4,75	7,5	35,63	B5	B5	
5,45	7,5	40,91	B5	B5	
2,94	15	44,17	B5	B5	
4,75	10	47,50	B5	B5	
5,45	10	54,55	B5	B5	
2,94	20	58,89	B5	B5	
6,30	10	63,00	B5	B5	
4,75	15	71,25	B5	B5	
7,88	10	78,75	B5		
2,94	30	88,33	B5		
6,30	15	94,50	B5		
5,10	20	102,00	B5		
5,45	20	109,09	B5		
7,88	15	118,13	B5		
5,10	25	127,50	B5		
4,75	30	142,50	B5		
3,87	40	154,67	B5		
5,45	30	163,64	B5		
6,30	30	189,00	B5		
5,10	40	204,00	B5		

SXA141	LAC 50X	11x12	63	71	80
2,94	7,5	22,08		B5	B5
4,75	5	23,75	B5	B5	B5
5,10	5	25,50	B5	B5	
2,94	10	29,44	B5	B5	B5
6,30	5	31,50	B5	B5	
4,75	7,5	35,63	B5	B5	B5
5,45	7,5	40,91	B5	B5	
2,94	15	44,17	B5	B5	B5
4,75	10	47,50	B5	B5	B5
5,45	10	54,55	B5	B5	
2,94	20	58,89	B5	B5	
6,30	10	63,00	B5	B5	
4,75	15	71,25	B5	B5	
7,88	10	78,75	B5	B5	
2,94	30	88,33	B5	B5	
6,30	15	94,50	B5	B5	
5,10	20	102,00	B5	B5	
5,45	20	109,09	B5	B5	
7,88	15	118,13	B5	B5	
5,10	25	127,50	B5	B5	
4,75	30	142,50	B5	B5	
3,87	40	154,67	B5	B5	
5,45	30	163,64	B5	B5	
6,30	30	189,00	B5		
5,10	40	204,00	B5		
7,88	30	236,25	B5		
6,30	40	252,00	B5		
5,45	50	272,73	B5		
4,75	60	285,00	B5		
6,30	50	315,00	B5		

2.9.4 LWC-LXWC Motor flange availability

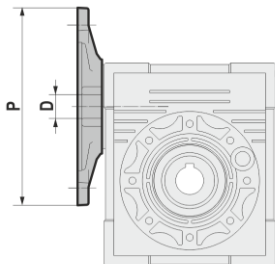


- (*) Low profile key supplied by Motovario.
- (•) Motor-ratio combination feasible.
- (**) Motor-ratio combination not feasible.
- (+) Motor-ratio combination not to be used, out of warranty terms.

The table reports possible configurations strictly based on geometric criteria. To determine the compatibility of a motor-gear unit assembly in terms of mechanical factors, double check the selected configuration against the rating charts for LW/LXW performances.

LWC LXWC	PAM IEC	N	M	P	D	i											
						5	7,5	10	15	20	25	30	40	50	60	80	100
40	71B5	110	130	160	14	•	•	•	•	•	•	•	•	**	**	**	**
	71B14	70	85	105	14	•	•	•	•	•	•	•	•	•	•	•	•
	63B5	95	115	140	11	•	•	•	•	•	•	•	•	•	•	•	•
	56B5	80	100	120	9	**	**	**	**	**	**	**	**	•	•	•	•
50	80B5	130	165	200	19	•	•	•	•	•	•	•	**	**	**	**	**
	80B14	80	100	120	19	•	•	•	•	•	•	•	•	•	•	•	•
	71B5	110	130	160	14	•	•	•	•	•	•	•	•	•	•	•	**
	71B14	70	85	105	14	•	•	•	•	•	•	•	•	•	•	•	•
	63B5	95	115	140	11	**	**	**	**	**	**	**	•	•	•	•	•
63	90B5	130	165	200	24	**	•	•	•	•	•	•	•	+	+	+	+
	80B5	130	165	200	19	**	•	•	•	•	•	•	**	**	**	**	**
	80B14	80	100	120	19	**	•	•	•	•	•	•	**	**	**	**	**
	71B5	110	130	160	14	**	**	**	**	**	**	**	•	•	•	**	**
90	100/112B5	180	215	250	28	**	•	•	•	•	•	•	**	**	**	**	**
	100/112B14	110	130	160	28	**	•	•	•	•	•	•	•	•	•	•	•
	90B5	130	165	200	24	**	•	•	•	•	•	•	•	•	•	**	**
	80B5	130	165	200	19	**	**	**	**	**	**	**	•	•	•	•	•
110	132B5	230	265	300	38	**	•*	•*	•*	•*	**	**	**	**	**	**	**
	100/112B5	180	215	250	28	**	•	•	•	•	•	•	•	•	•	**	**
	90B5	130	165	200	24	**	**	**	**	**	**	•	•	•	•	•	•
	80B5	130	165	200	19	**	**	**	**	**	**	**	**	•	•	•	•
130	132B5	230	265	300	38	**	•*	•*	•*	•*	•*	•*	•*	**	**	**	**
	100/112B5	180	215	250	28	**	**	**	**	**	•	•	•	•	•	•	•
	90B5	130	165	200	24	**	**	**	**	**	**	**	**	**	**	•	•

2.9.5 LWC-LXWC HYBRID Motor flange availability

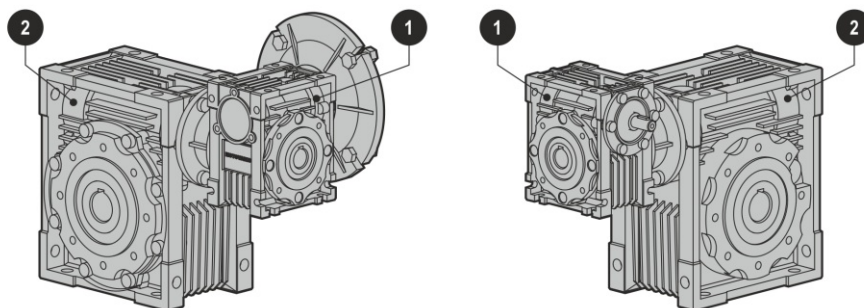


(*) Low profile key supplied by Motovario.

The table report possible configurations strictly based on geometric criteria. To determine the compatibility of a motor-gear unit assembly in terms of mechanical factors, double check the selected configuration against the rating charts for LW/LXW performances.

LWC LXWC	P	i											
		5	7.5	10	15	20	25	30	40	50	60	80	100
		D											
40	160												
	140	14	14	14	14	14	14	14	14	11	11	11	11
	120	11	11	11	11	11	11	11	11	9	9	9	9
	105												
50	200												
	160	19	19	19	19	19	19	19	14	14	14	14	11
	140	14	14	14	14	14	14	14	11	11	11	11	
	120												
63	105												
	200	-	24	24	24	24	24	24	19	19	19	14	14
	160		19	19	19	19	19	19	14	14	14		
90	120												
	250	-	28	28	28	28	28	28	24	24	24	19	19
	200		24	24	24	24	24	24	19	19	19		
110	160												
	300	-	38*	38*	38*	38*	-	-	-	-	-	-	-
	250												
130	200	-	28	28	28	28	28	28	28	28	28	24	24
	300												
	250	-	38*	38*	38*	38*	38*	38*	38*	38*	28	28	28
	200												

2.9.6 Ratios LA/LAC+LAC



i	LA/LAC LAC/LAC	i1	i2
100	030/040X	10	10
150		10	15
200		10	20
250		10	25
300		10	30
400		10	40
500		20	25
600		20	30
750		25	30
900		30	30
1200		40	30
1500		50	30
1800		60	30
2400		60	40
3000		60	50
4000		50	80
5000	50	100	

i	LA/LAC LAC/LAC	i1	i2
100	030/050X	10	10
150		10	15
200		10	20
250		10	25
300		10	30
400		10	40
500		10	50
600		20	30
750		25	30
900		30	30
1200		40	30
1500		50	30
1800		60	30
2400		60	40
3000		60	50
4000		50	80
5000	50	100	

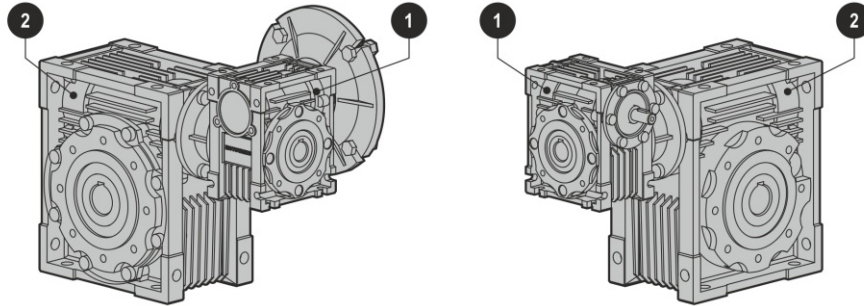
i	LA/LAC LAC/LAC	i1	i2
100	030/063X	10	10
150		10	15
200		10	20
250		10	25
300		7.5	40
400		10	40
500		10	50
600		20	30
750		25	30
900		30	30
1200		40	30
1500		50	30
1800		60	30
2400		60	40
3000		60	50
4000		80	50
5000	50	100	

i	LA/LAC LAC/LAC	i1	i2
100	040/075X	10	10
150		10	15
200		10	20
250		10	25
300		10	30
400		10	40
500		10	50
600		20	30
750		25	30
900		30	30
1200		40	30
1500		50	30
1800		60	30
2400		60	40
3000		60	50
4000		80	50
5000	100	50	

i	LA/LAC LAC/LAC	i1	i2
100	040/090X	10	10
150		10	15
200		10	20
250		10	25
300		10	30
400		10	40
500		10	50
600		20	30
750		25	30
900		30	30
1200		40	30
1500		50	30
1800		60	30
2400		60	40
3000		60	50
4000		80	50
5000	100	50	

i	LA/LAC LAC/LAC	i1	i2
100	050/090X	10	10
150		10	15
200		10	20
250		10	25
300		10	30
400		10	40
500		20	25
600		20	30
750		25	30
900		30	30
1200		40	30
1500		50	30
1800		60	30
2400		60	40
3000		60	50
4000		80	50
5000	100	50	

2.9.7 Ratios LW/LWC+LWC/LXWC



i	LW+LWC LWC+LWC	i1	i2
100	040/050	10	10
150		10	15
200		10	20
250		10	25
300		10	30
400		10	40
500		50	10
600		20	30
750		25	30
900		60	15
1200		40	30
1500		50	30
1800		60	30
2400		60	40
3000		60	50
4000		80	50
5000	100	50	

i	LW+LWC LWC+LWC	i1	i2
100	040/063	10	10
150		10	15
200		10	20
250		10	25
300		10	30
400		10	40
500		20	25
600		20	30
750		25	30
900		30	30
1200		40	30
1500		50	30
1800		60	30
2400		60	40
3000		60	50
4000		80	50
5000	100	50	

i	LW+LXWC LWC+LXWC	i1	i2
100	040/090	10	10
150		10	15
200		10	20
250		10	25
300		10	30
400		10	40
500		10	50
600		20	30
750		25	30
900		30	30
1200		40	30
1500		50	30
1800		60	30
2400		60	40
3000		60	50
4000		80	50
5000	100	50	

i	LW+LXWC LWC+LXWC	i1	i2
100	050/090	10	10
150		10	15
200		10	20
250		10	25
300		10	30
400		10	40
500		20	25
600		20	30
750		25	30
900		30	30
1200		40	30
1500		50	30
1800		60	30
2400		60	40
3000		60	50
4000		80	50
5000	100	50	

i	LW+LXWC LWC+LXWC	i1	i2
100	050/110	10	10
150		10	15
200		10	20
250		10	25
300		10	30
400		10	40
500		20	25
600		20	30
750		25	30
900		30	30
1200		40	30
1500		50	30
1800		60	30
2400		60	40
3000		60	50
4000		80	50
5000	100	50	

i	LW+LXWC LWC+LXWC	i1	i2
100	063/110	10	10
150		10	15
200		10	20
250		10	25
300		10	30
400		10	40
500		20	25
600		20	30
750		25	30
900		30	30
1200		40	30
1500		50	30
1800		60	30
2400		60	40
3000		60	50
4000		80	50
5000		100	50

l	LW+LXWC LWC+LXWC	i1	i2
100	063/130	10	10
150		10	15
200		10	20
250		10	25
300		10	30
400		10	40
500		10	50
600		20	30
750		25	30
900		30	30
1200		40	30
1500		50	30
1800		60	30
2400		60	40
3000		60	50
4000		80	50
5000		100	50

	Standard
LA 30X	1
LA 40X - LW 40	1
LA 50X - LW 50	1
LA 63X - LW 63	1
LA 75X	1
LA 90X - LXW 90	1
LXW 110	1
LXW 130	1

1 - Ball bearings

2.11.1 Information

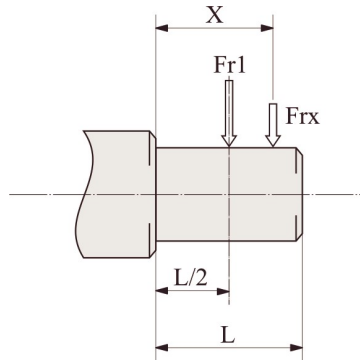
The value of the admissible radial load [N] is given in the tables relating to the performance of the gear reducer at issue. It is related to the load applied on the centre line of the shaft and in the most unfavourable conditions of angle of application and direction of rotation. The maximum admissible axial loads are 1/5 of the value of the given radial load when they are applied in combination with the radial load. The tables relating to the output shafts give the maximum admissible value. This value must never be exceeded since it relates to the strength of the case. Particular conditions of radial load higher than the limits of the catalogue may occur. In this case, contact MOTOVARIO TECHNICAL SERVICE and provide details on the application: direction of the load, direction of rotation of the shaft, type of service. In case of double extension shafts with radial load applied on both ends, the max. admissible radial loads must be defined according to the specific running conditions, in this case contact MOTOVARIO TECHNICAL SERVICE. The radial load on the shaft is calculated with the following formula: $Fr_e = (2000 * M * fz) / D \leq Fr_1$ or Fr_2

- **Fr_e** [N] Resulting radial load
- **M** [Nm] Torque on the shaft
- **D** [mm] Diameter of the transmission member mounted on the shaft
- **Fr₁-Fr₂** [N] Value of the maximum admitted radial load (see relative tables)
- fz = 11 reciprocating, 14 chain wheel, 17 roller, 25 flat pulley

2.11.2 Input

When the radial load is not on the center line of the shaft, it is necessary to adjust the admissible radial load Fr₁ with the following formula: $Fr_x = (Fr_1 * a) / (b + x)$

- **a, b** = values given in the tables
- **x** = distance from the point of application of the load to the shaft shoulder



LA	30X	40X	50X	63X	75X	90X
a	86	106	129	159	192	227
b	76	94,5	114	139	167	202
Fr ₁ max(**)	210	350	490	700	980	1270

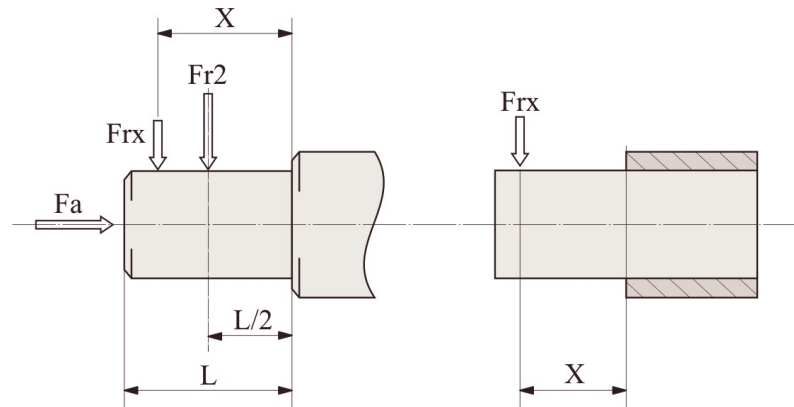
LW - LXW	40	50	63	90	110	130
a	106	129	159	227	266	314
b	94,5	114	139	202	236	274
Fr ₁ max(**)	350	490	700	1270	1700	2100

(**Fr₁ max) Max admissible value of the reducer in static conditions and/or for limited operations. For continuous overhung loads please check the values on the performances tables calculated according to the casing, the shaft and bearings.

2.11.3 Output

When the radial load is not on the centre line of the shaft, it is necessary to adjust the admissible radial load Fr_2 with the following formula: $Fr_x = (Fr_2 \cdot a) / (b + x)$

- a, b = values given in the tables
- x = distance from the point of application of the load to the shaft shoulder



LA	30X	40X	50X	63X	75X	90X
a	65	84	101	120	131	162
b	50	64	76	95	101	122
Fr2 max(**)	1830	3490	4840	6270	7380	8180

LW - LXW	40	50	63	90	110	130
a	84	101	120	162	176	188
b	64	76	95	122	136	148
Fr2 max(**)	3490	4840	6270	8180	12000	13500

(**Fr2 max) Max admissible value of the reducer in static conditions and/or for limited operations. For continuous overhung loads please check the values on the performances tables calculated according to the casing, the shaft and bearings.

2.12.1 Information

In cases of ambient temperatures not envisaged in the table, contact MOTOVARIO TECHNICAL SERVICE. In the case of temperatures under -30°C or over 60°C it is necessary to use oil seals with special properties. For operating ranges with temperatures under 0°C it is necessary to consider the following:

1. The motors need to be suitable for operation at the envisaged ambient temperature.
2. The power of the electric motor needs to be adequate for exceeding the higher starting torques required.
3. In case of cast-iron gear reducers, pay attention to impact loads since cast iron may have problems of fragility at temperatures under -15°C .
4. During the early stages of service, problems of lubrication may arise due to the high level of viscosity taken on by the oil and so it is wise to have a few minutes of rotation under no load.

Oil (NON Atex products) must be changed after approx. 10000 hours/2 years of operation; this time varies based on the type of service and on the environment inside which the gear reducer is installed. Units not featuring any oil plug are life-lubricated, and therefore maintenance-free.

2.12.2 Lubricants

Specifications of lubricants recommended by MOTOVARIO S.A.U.

All units are supplied with ENI oil, unless otherwise specified by the client.

	SXA141	LA 30X ÷ 90X LW 40 ÷ 63 LXW 90 ÷ 130
	Mineral oil	Synthetic oil
T_{amb} °C ISO	(-5) ÷ (+40) ISO VG220	(-25) ÷ (+50) ISO VG320
ENI	BLASIA 220	TELIUM VSF320
SHELL	OMALA OIL220	OMALA S4 WE320
KLUBER	Kluberoil GEM 1-220N	Klubersynth GH 6-320
MOBIL	MOBILGEAR 600 XP220	SHC 632
CASTROL	ALPHA SP 220	ALPHASYN PG320
BP	ENERGOL GR-XP220	ENERGOL SG-XP320

2.12.3 Special lubricants

	T _{amb} °C	Polyglycol synthetic oil
ENI	(-30) ÷ (+30)	Blasia S 150 (ISO VG150)
	(-20) ÷ (+40)	Blasia S 220 (ISO VG220)
MOBIL	(-45) ÷ (+0)	SHC 624 (ISO VG32)
	(-40) ÷ (+5)	SHC 626 (ISO VG68)
KLUBER	(-40) ÷ (+5)	Klubersynth GH 6-32 (ISO VG32)
	(-35) ÷ 10)	Klubersynth GH 6-80 (ISO VG80)
	(-30) ÷ (+40)	Klubersynth GH 6-150 (ISO VG150)
	(-25) ÷ (+40)	Klubersynth GH 6-220 (ISO VG220)
	(-15) ÷ (+50)	Klubersynth GH 6-460 (ISO VG460)
	(-10) ÷ (+70)	Klubersynth GH 6-680 (ISO VG680)

	T _{amb} °C	Polyglycol synthetic oil for food grade
KLUBER	(-30) ÷ (+15)	Klubersynth UHI-6 100 (ISO VG100)
	(-25) ÷ (+40)	Klubersynth UHI-6 220 (ISO VG220)
	(-15) ÷ (+40)	Klubersynth UHI-6 320 (ISO VG320)
	(-15) ÷ (+50)	Klubersynth UHI-6 460 (ISO VG460)
	(-10) ÷ (+50)	Klubersynth UHI-6 680 (ISO VG680)

If 'special' lubricant is required please contact MOTOVARIO TECHNICAL SERVICE.

2.12.4 Quantity

- The gear reducers size 30 - 40 - 50 - 63 - 75 - 90 - 110 - 130 are supplied complete with lubricant for life, synthetic oil, ENI TELIUM VSF. They can be mounted in any position envisaged in the catalogue, except for LAC 90X, LXWC 90-110, LA 75X, LXW 90-110 for which you must to specify the mounting position.
- For sizes 110 and 130 it is necessary to specify the position, otherwise the gear reducers are supplied with the quantity of oil relating to pos. B3.
- Only reduction units 110 and 130 are fitted with breather, level and oil drainage plugs.
- The pre-stage helical modules are supplied complete with life-long lubricant, synthetic oil, ENI TELIUM VSF. Lubrication is separated from that of the worm gear reducers.

It is recommended, after installation, to replace the closed plug used for transportation with the supplied breather plug.

Quantity of oil in litres -

	LA						LW			LXW		
	30X	40X	50X	63X	75X	90X	40	50	63	90	110	130
B3	0,04	0,08	0,15	0,3	0,55	1	0,21	0,32	0,64	1,6	3	4,5
B8											2,2	3,3
B6-B7											2,5	3,5
V5											3	4,5
V6											2,2	3,3
SXA	141											
B3-B5	0,07											

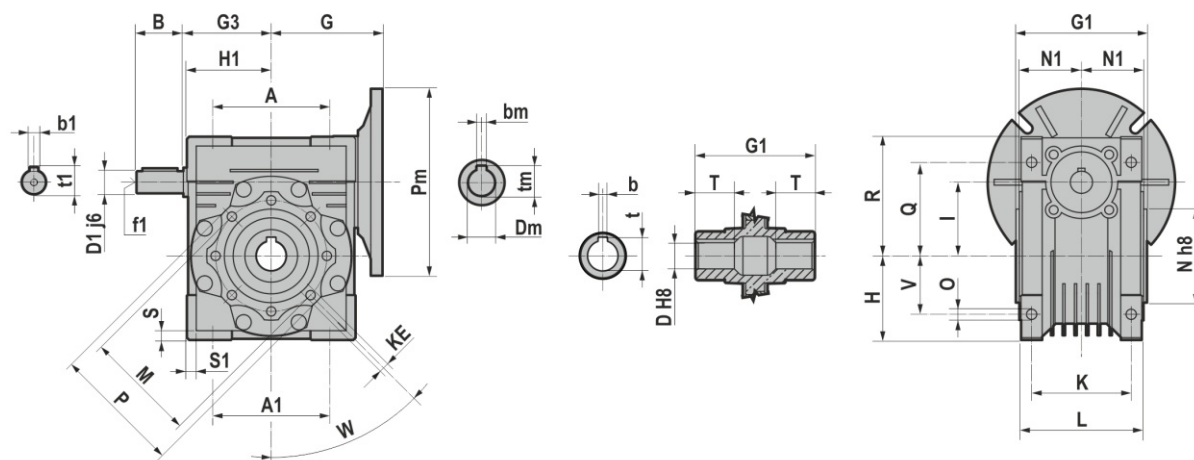
The following values of J1 moment of inertia are only estimated, referred to the maximum calculated, and to the gearbox input side.

LA	J ₁ [Kg*m ²]
30X	0,00001
40X	0,00003
50X	0,0001
63X	0,0002
75X	0,0003
90X	0,0005

SXA	J ₁ [Kg*m ²]
141	0,0001

LW - LXW	J ₁ [Kg*m ²]
40	0,00003
50	0,0001
63	0,0002
90	0,0005
110	0,0014
130	0,0022

3.1.1 LAC 30X-90X



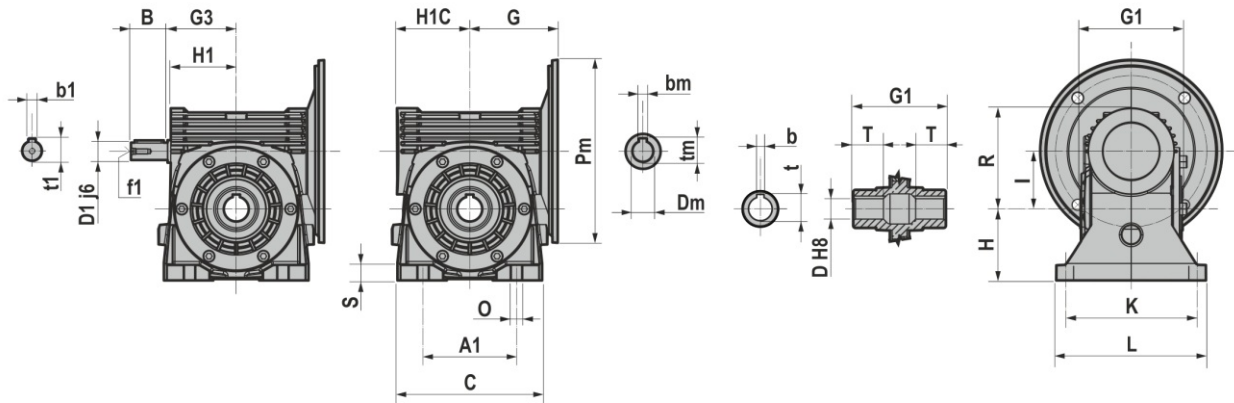
	30X	40X	50X	63X	75X	90X
A	54	70	80	100	120	140
A1	54	70	80	100	120	140
B	20	23	30	40	50	50
D1 j6	9	11	14	19	24	24
G	55	70	80	95	112,5	129,5
G1	63	78	92	112	120	140
G3	45	53	64	75	90	108
H	40	50	60	72	86	103
H1	40	50	60	72	86	103
I	30	40	50	63	75	90
K	44	60	70	85	90	100
KE	M6*11	M6*11	M8*10	M8*14	M8*14	M10*18
L	56	71	85	103	112	130
M	65	75	85	95	115	130
N	55	60	70	80	95	110
N1	29	36,5	43,5	53	57	67
O	6,5	6,5	8,5	8,5	11,5	13
P	75	87	100	110	140	160
Q	44	55	64	80	93	102
R	57	71,5	84	102	119	135
S	5,5	6,5	7	8	10	11
S1	5,5	6,5	7	8	10	11
V	27	35	40	50	60	70
W	0	45	45	45	45	45
b1	3	4	5	6	8	8
t1	10,2	12,5	16	21,5	27	27
f1	-	-	M6	M6	M8	M8

	D H8	b	t	T
30X	14	5	16,3	21
40X	18	6	20,8	26
	19	6	21,8	26
50X	25	8	28,3	30
	24	8	27,3	30
63X	25	8	28,3	36
	28	8	31,3	36
75X	28	8	31,3	40
	30	8	33,3	40
	32	10	35,3	40
90X	35	10	38,3	40
	35	10	38,3	45
	38	10	41,3	45
	40	12	43,3	45

B5	Pm	Dm	bm	tm
056	120	9	3	10,4
063	140	11	4	12,8
071	160	14	5	16,3
080	200	19	6	21,8
090	200	24	8	27,3
100	250	28	8	31,3
112	250	28	8	31,3

B14	Pm	Dm	bm	tm
056	80	9	3	10,4
063	90	11	4	12,8
071	105	14	5	16,3
080	120	19	6	21,8
090	140	24	8	27,3
100	160	28	8	31,3
112	160	28	8	31,3

3.1.2 LWPC 40-63



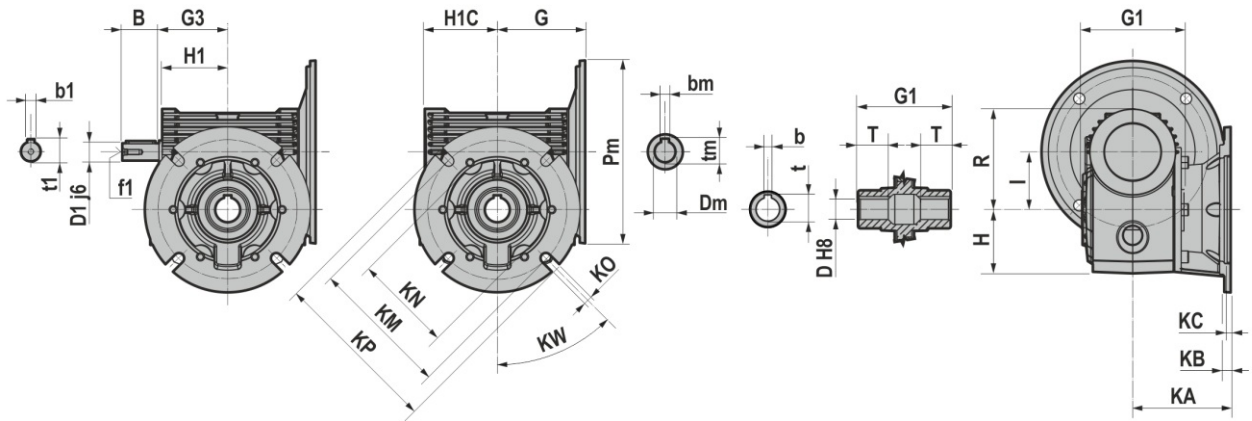
	40	50	63
A1	70	80	102
B	23	30	40
C	110	129	158
D1j6	11	14	19
G	70	80	96
G1	78	92	112
G3	53	64	75
H	55	66	78
H1	52,5	62,5	71,5
H1C	54,5	64,5	79,5
I	40	50	63
K	106	116	140
L	126	140	164
O	9	11	11
R	78	88	110
S	13	15	17
b1	4	5	6
t1	12,5	16	21,5
f1	-	M6	M6

	D H8	b	t	T
40	18	6	20,8	26
	19	6	21,8	26
50	25	8	28,3	30
	24	8	27,3	30
63	25	8	28,3	36
	28	8	31,3	36
	30	8	33,3	36

B5	Pm	Dm	bm	tm
056	120	9	3	10,4
063	140	11	4	12,8
071	160	14	5	16,3
080	200	19	6	21,8
090	200	24	8	27,3

B14	Pm	Dm	bm	tm
056	80	9	3	10,4
063	90	11	4	12,8
071	105	14	5	16,3
080	120	19	6	21,8
090	140	24	8	27,3

3.1.3 LWBC 40-63



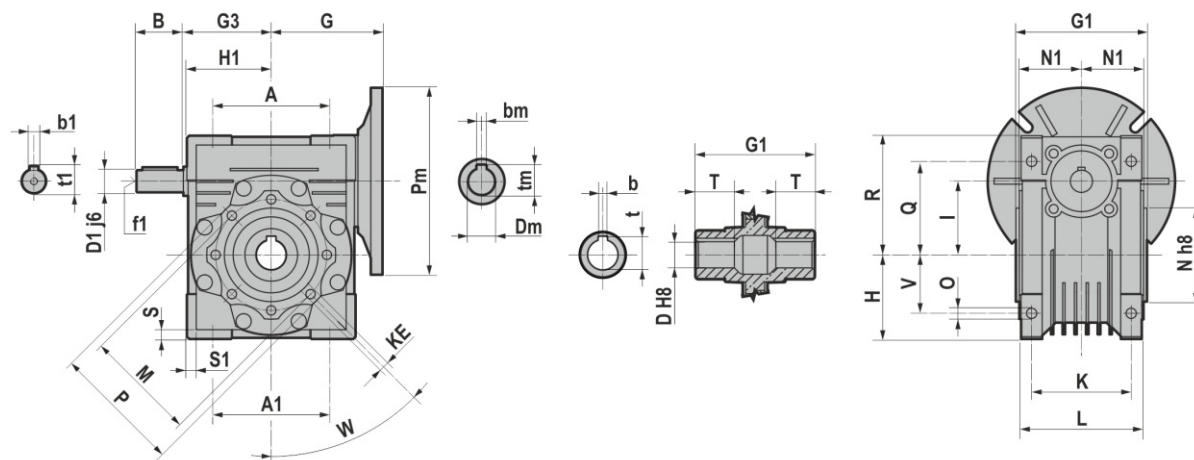
	40	50	63
B	23	30	40
D1j6	11	14	19
G	70	80	96
G1	78	92	112
G3	53	64	75
H	49	57	69,5
H1	52,5	62,5	71,5
H1C	54,5	64,5	79,5
I	40	50	63
KA	82	88	107
KB	10	10	12
KC	5	5	5
KO	9 (n°4)	9 (n°4)	11 (n°4)
KM	87	100	150
KN	60	70	115
KP	110	125	180
KW	45°	45°	45°
R	78	88	110
b1	4	5	6
t1	12,5	16	21,5
f1	-	M6	M6

	D H8	b	t	T
40	18	6	20,8	26
	19	6	21,8	26
50	25	8	28,3	30
	24	8	27,3	30
63	25	8	28,3	36
	28	8	31,3	36
	30	8	33,3	36

B5	Pm	Dm	bm	tm
056	120	9	3	10,4
063	140	11	4	12,8
071	160	14	5	16,3
080	200	19	6	21,8
090	200	24	8	27,3

B14	Pm	Dm	bm	tm
056	80	9	3	10,4
063	90	11	4	12,8
071	105	14	5	16,3
080	120	19	6	21,8
090	140	24	8	27,3

3.1.4 LXWC 90-130



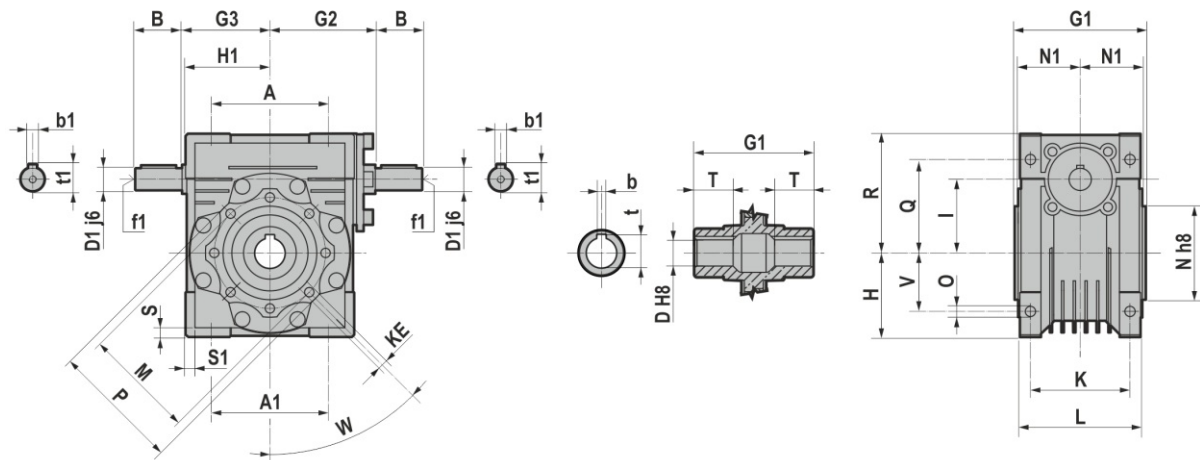
	90	110	130
A	164	170	200
A1	164	170	200
B	40	60	80
D1 j6	24	28	30
G	130	160	180
G1	140	155	170
G3	118	135	155
H	97	127,5	147,5
H1	118	127,5	147,5
I	90	110	130
K	100	115	120
KE	M10*24	M10*18	M12*21
L	125	144	155
M	130	165	215
N	110	130	180
N1	64,5	74	81
O	14	14	16
P	160	200	250
Q	112	125	140
R	148	167,5	187,5
S	16	14,5	15,5
S1	16	14,5	15,5
V	60	85	100
W	45	45	45
b1	8	8	8
t1	27	31	33
f1	M8	M10	M10

	D H8	b	t	T
90	35	10	38,3	45
	38	10	41,3	45
110	40	12	43,3	50
	42	12	45,3	50
130	45	14	48,8	60

B5	Pm	Dm	bm	tm
080	200	19	6	21,8
090	200	24	8	27,3
100	250	28	8	31,3
112	250	28	8	31,3
132	300	38	10	41,3

B14	Pm	Dm	bm	tm
080	120	19	6	21,8
090	140	24	8	27,3
100	160	28	8	31,3
112	160	28	8	31,3

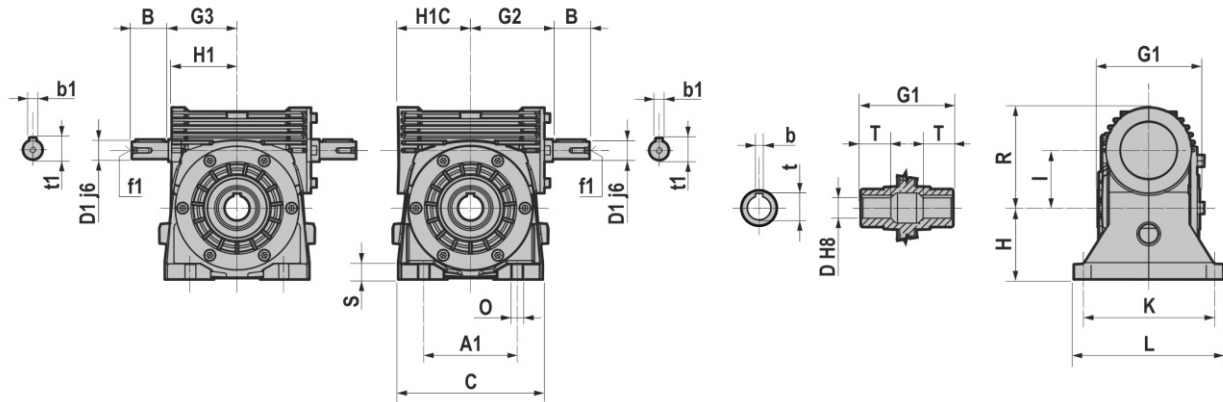
3.1.5 LA 30X-90X



	30X	40X	50X	63X	75X	90X
A	54	70	80	100	120	140
A1	54	70	80	100	120	140
B	20	23	30	40	50	50
D1 j6	9	11	14	19	24	24
G1	63	78	92	112	120	140
G2	51	60	74	90	105	125
G3	45	53	64	75	90	108
H	40	50	60	72	86	103
H1	40	50	60	72	86	103
I	30	40	50	63	75	90
K	44	60	70	85	90	100
KE	M6*11	M6*11	M8*10	M8*14	M8*14	M10*18
L	56	71	85	103	112	130
M	65	75	85	95	115	130
N	55	60	70	80	95	110
N1	29	36,5	43,5	53	57	67
O	6,5	6,5	8,5	8,5	11,5	13
P	75	87	100	110	140	160
Q	44	55	64	80	93	102
R	57	71,5	84	102	119	135
S	5,5	6,5	7	8	10	11
S1	5,5	6,5	7	8	10	11
V	27	35	40	50	60	70
W	0	45	45	45	45	45
b1	3	4	5	6	8	8
t1	10,2	12,5	16	21,5	27	27
f1	-	-	M6	M6	M8	M8

	D H8	b	t	T
30X	14	5	16,3	21
40X	18	6	20,8	26
50X	19	6	21,8	26
50X	25	8	28,3	30
63X	24	8	27,3	30
63X	25	8	28,3	36
63X	28	8	31,3	36
75X	28	8	31,3	40
75X	30	8	33,3	40
75X	32	10	35,3	40
75X	35	10	38,3	40
90X	35	10	38,3	45
90X	38	10	41,3	45
90X	40	12	43,3	45

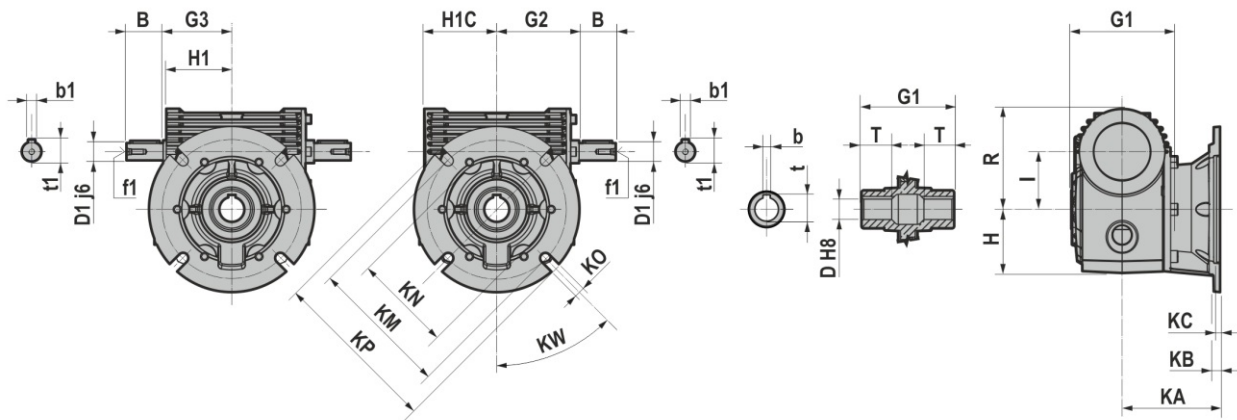
3.1.6 LWP 40-63



	40	50	63
A1	70	80	102
B	23	30	40
C	110	129	158
D1j6	11	14	19
G1	78	92	112
G2	60	74	90
G3	53	64	75
H	55	66	78
H1	52,5	62,5	71,5
H1C	54,5	64,5	79,5
I	40	50	63
K	106	116	140
L	126	140	164
O	9	11	11
R	78	88	110
S	13	15	17
b1	4	5	6
t1	12,5	16	21,5
f1	-	M6	M6

	D H8	b	t	T
40	18	6	20,8	26
	19	6	21,8	26
50	25	8	28,3	30
	24	8	27,3	30
63	25	8	28,3	36
	28	8	31,3	36
	30	8	33,3	36

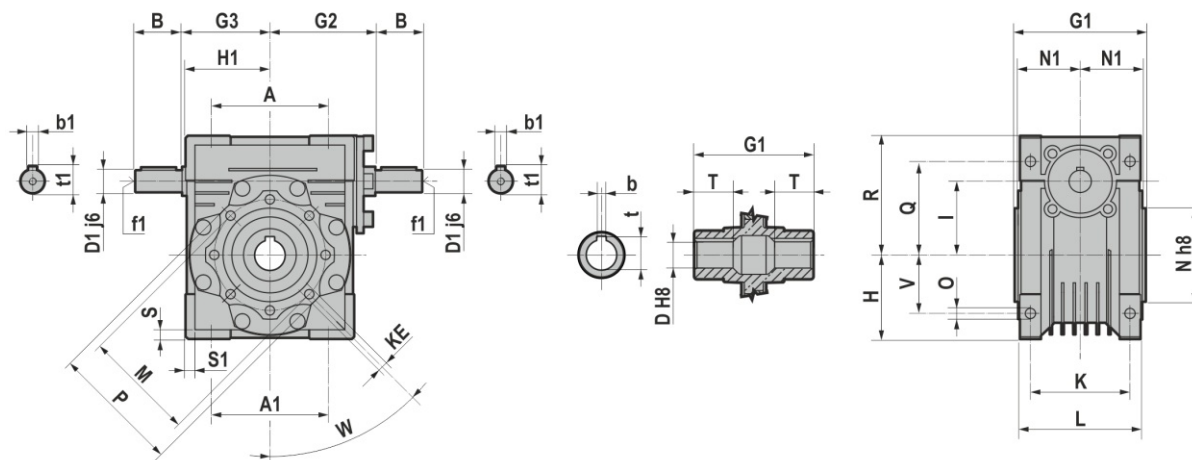
3.1.7 LWB 40-63



	40	50	63
B	23	30	40
D1j6	11	14	19
G1	78	92	112
G2	60	74	90
G3	53	64	75
H	49	57	69,5
H1	52,5	62,5	71,5
H1C	54,5	64,5	79,5
I	40	50	63
KA	82	88	107
KB	10	10	12
KC	5	5	5
KO	9 (n°4)	9 (n°4)	11 (n°4)
KM	87	100	150
KN	60	70	115
KP	110	125	180
KW	45°	45°	45°
R	78	88	110
b1	4	5	6
t1	12,5	16	21,5
f1	-	M6	M6

	D H8	b	t	T
40	18	6	20,8	26
	19	6	21,8	26
50	25	8	28,3	30
	24	8	27,3	30
63	25	8	28,3	36
	28	8	31,3	36
	30	8	33,3	36

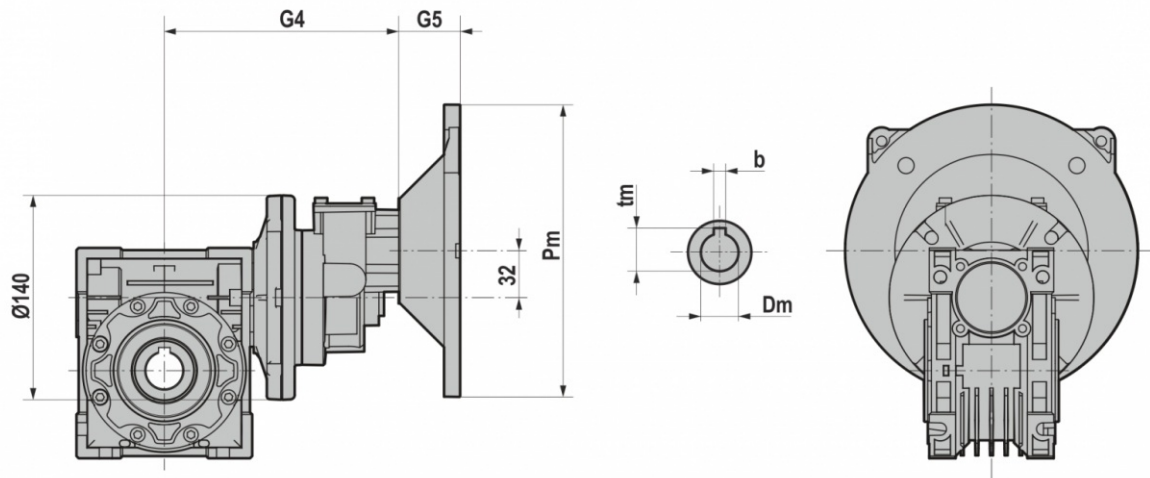
3.1.8 LW 90-130



	90	110	130
A	164	170	200
A1	164	170	200
B	40	60	80
D1 j6	24	28	30
G1	140	155	170
G2	125	142	162
G3	118	135	155
H	97	127,5	147,5
H1	118	127,5	147,5
I	90	110	130
K	100	115	120
KE	M10*20	M10*18	M12*21
L	125	144	155
M	130	165	215
N	110	130	180
N1	64,5	74	81
O	14	14	16
P	160	200	250
Q	102	125	140
R	148	167,5	187,5
S	16	14,5	15,5
S1	16	14,5	15,5
V	70	85	100
W	45	45	45
b1	8	8	8
t1	27	31	33
f1	M8	M10	M10

	D H8	b	t	T
90	35	10	38,3	45
	38	10	41,3	45
110	40	12	43,3	50
	42	12	45,3	50
130	45	14	48,8	60

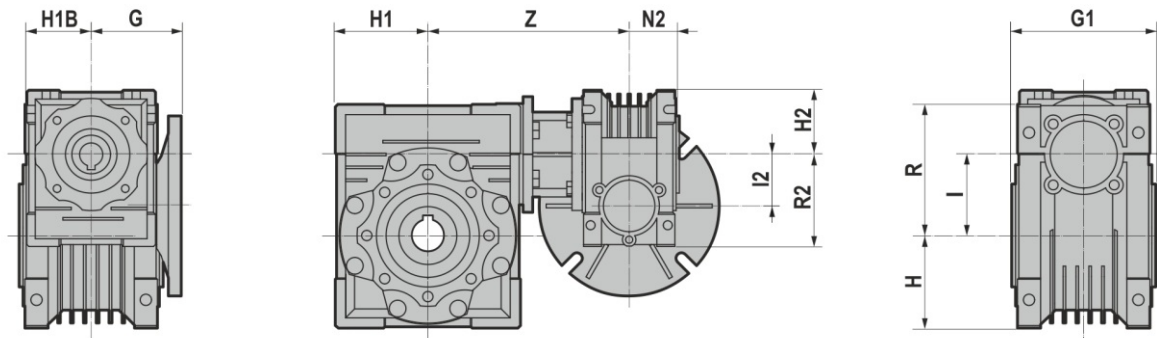
3.1.9 SXA141+LAC



	LAC 40X		LAC 50X	
	G4	G5	G4	G5
063	150	25	160	25
071	150	32	160	32
080	150	42	160	42

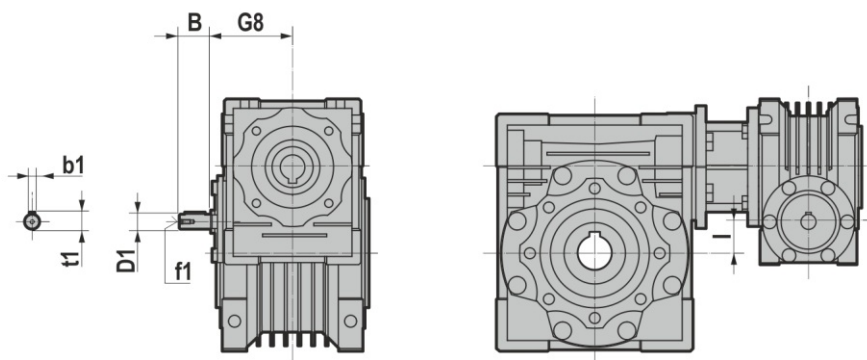
B5	Pm	Dm	bm	tm
063	140	11	4	12,8
071	160	14	5	16,3
080	200	19	6	21,8

3.1.10 LAC+LAC



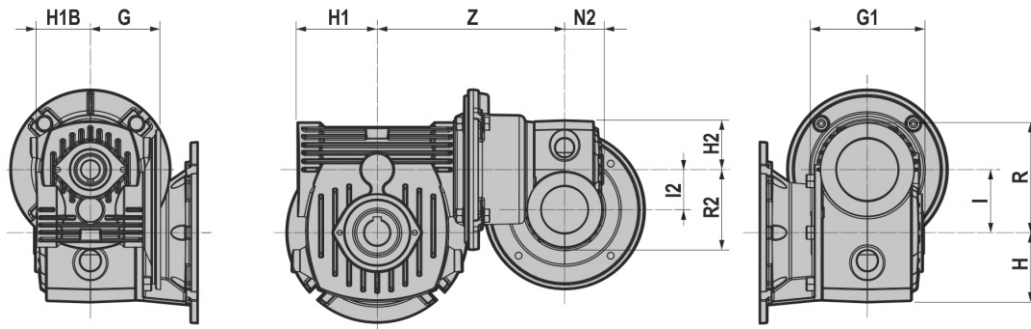
	H1B	G	G1	H	H1	I	R	H2	I2	N2	R2	Z
30-40X	40	55	78	50	50	40	71,5	40	30	29	57	122
30-50X	40	55	92	60	60	50	84	40	30	29	57	132
30-63X	40	55	112	72	72	63	102	40	30	29	57	145
40-75X	50	70	120	86	89	75	119	50	40	36,5	71,5	167,5
40-90X	50	70	140	103	103	90	135	50	40	36,5	71,5	184,5
50-90X	60	80	140	103	103	90	135	60	50	43,5	84	205

3.1.11 LA+LAC



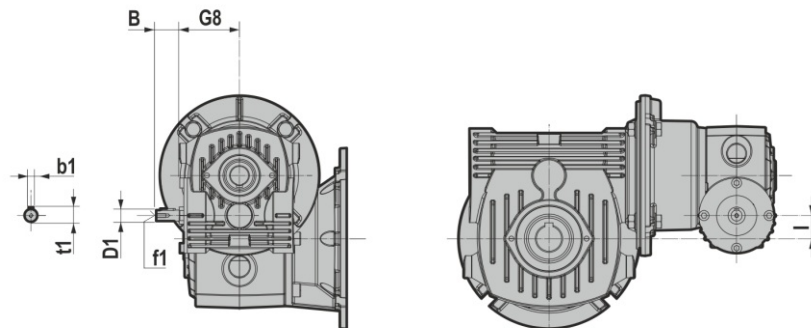
	B	D1	G8	I	b1	f1	t1
30-40X	20	9	51	10	3	-	10,2
30-50X	20	9	51	20	3	-	10,2
30-63X	20	9	51	33	3	-	10,2
40-75X	23	11	60	35	4	-	12,5
40-90X	23	11	60	50	4	-	12,5
50-90X	30	14	74	40	5	M6	16

3.1.12 LWBC+LWPC/LWBC/LXWC



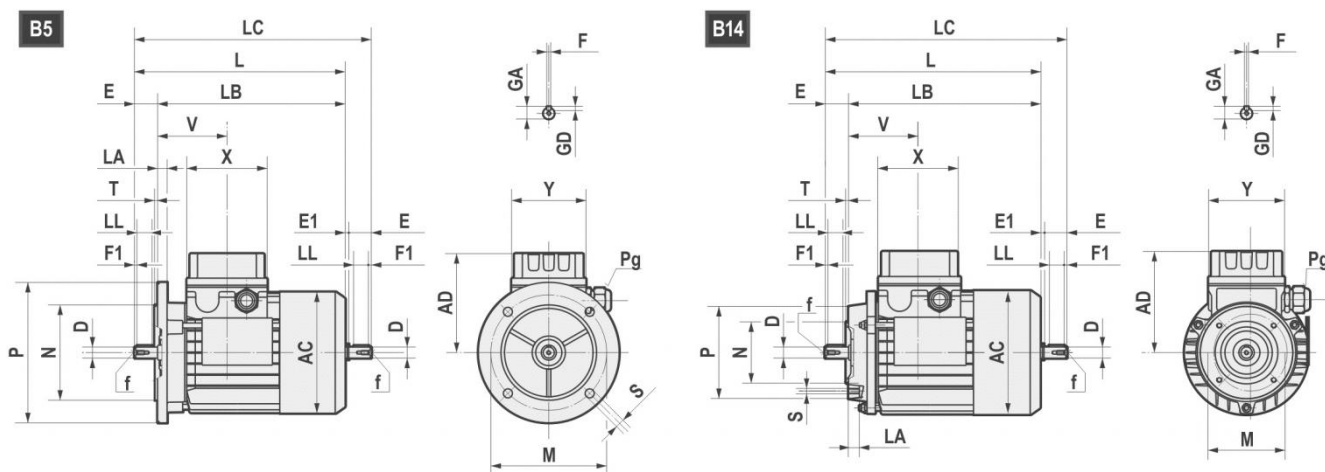
	H1B	G	G1	H	H1	I	R	H2	I2	N2	R2	Z
40-50	54,5	70	92	57	64,5	50	88	49	40	39	78	161
40-63	54,5	70	112	69,5	79,5	63	110	49	40	39	78	187
40-90	54,5	70	140	118	118	90	148	49	40	36	78	221
50-90	64,5	80	140	118	118	90	148	57	50	46	88	227,5
50-110	64,5	80	155	127,5	127,5	110	167,5	57	50	46	88	257,5
63-110	79,5	96	155	127,5	127,5	110	167,5	69,5	63	56	110	278
63-130	79,5	96	170	147,5	147,5	130	187,5	69,5	63	56	110	298

3.1.13 LWB+LWPC/LWBC/LXWC-DISEGNO



	B	D1	G8	I	b1	f1	t1
40-50	23	11	60	10	4	-	12,5
40-63	23	11	60	23	4	-	12,5
40-90	23	11	60	50	4	-	12,5
50-90	30	14	74	40	5	M6	16
50-110	30	14	74	60	5	M6	16
63-110	40	19	90	47	6	M6	21,5
63-130	40	19	90	67	6	M6	21,5

3.2.1 Electric motors

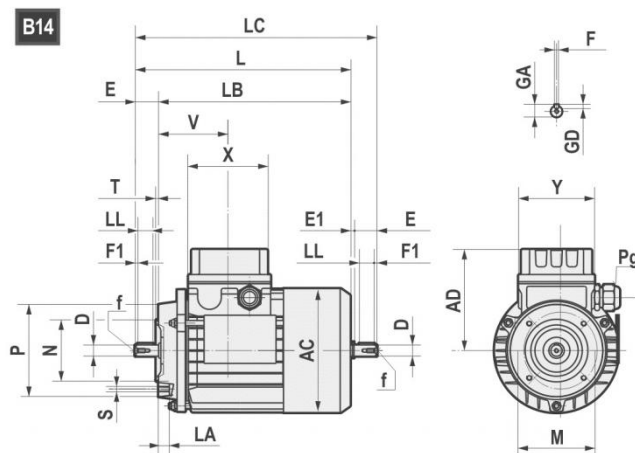
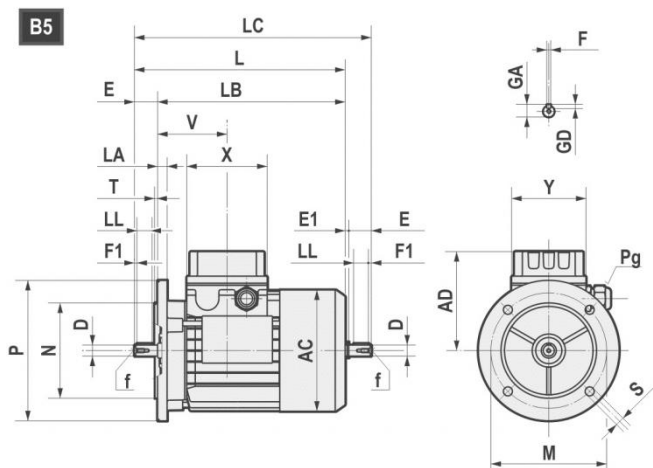


	AC	AD	L	LB	LC	X	Y	V	D	E	E1	f	F1	GA	F	GD
63	121	104	211	188	235,5	80	74	69	11 j6	23	1,5	M4x10	2,5	12,5	4	4
71	139	112	238,5	208,5	271	80	74	74,5	14 j6	30	2,5	M5x12.5	3	16	5	5
80	158	122	272,5 *(296)	232,5 *(256)	314 *(337)	80	74	78	19 j6	40	1,5	M6x16	5	21,5	6	6
90S	173	146	298 *(331)	248 *(281)	349,5 *(381)	98	98	89,5	24 j6	50	1,5	M8x19	5	27	8	7
90L	173	146	323 *(356)	273 *(306)	374,5 *(408)	98	98	89,5	24 j6	50	1,5	M8x19	5	27	8	7
100	191	155	368	308	431,5	98	98	97,5	28 j6	60	3,5	M10x22	7,5	31	8	7
112	211	170	382,5 *(408)	322,5 *(348)	447 *(472)	98	98	100	28 j6	60	3,5	M10x22	7,5	31	8	7
132S	249	195	452	372	536,5	118	118	115,5	38 k6	80	4	M12x28	10	41	10	8
132L	249	195	490	410	574,5	118	118	115,5	38 k6	80	4	M12x28	10	41	10	8
160S	249	195	520	410	/	118	118	115,5	42k6	100	/	M16x36	10	45	12	8

*TP80B4, TP90S4, TP90L4, TP90S6, TP112M4, TP112M6

B5	M	N	P	LA	S	T
63	115	95	140	10	9	3
71	130	110	160	10	9,5	3,5
80	165	130	200	12	11	3,5
90	165	130	200	12	11	3,5
100	215	180	250	15	14	4
112	215	180	250	14,5	14	4
132	265	230	300	20	14	3,5
160	300	250	350	13	18,5	3,5

B14	M	N	P	LA	S	T
63	75	60	90	10	M5	2,5
71	85	70	105	10,5	M6	2,5
80	100	80	120	10,5	M6	3
90	115	95	140	11,5	M8	3
100	130	110	160	15	M8	3,5
112	130	110	160	11,5	M8	3,5
132	165	130	200	20,5	M10	3,5
160	215	180	250	-	M12	4



		AC	AD	L	LB	X	D	E	f	GA	F	GD	LL	Pg	
160M	2-4-6	314	251	600	490	158	42	110	M16	45	12	8	90	2-M40x1,5	1-M16x1,5
160L	2-4-6	314	251	645	535	158	42	110	M16	45	12	8	90	2-M40x1,5	1-M16x1,5
180M	2-4	355	267	680	570	158	48	110	M16	51,5	14	9	100	2-M40x1,5	1-M16x1,5
180L	4-6	355	267	720	610	158	48	110	M16	51,5	14	9	100	2-M40x1,5	1-M16x1,5
200L	2-4-6	397	300	785	675	187	55	110	M20	59	16	10	100	2-M50x1,5	1-M16x1,5
225S	4	446	325	820	680	187	60	140	M20	64	18	11	125	2-M50x1,5	1-M16x1,5
225M	2	446	325	815	705	187	55	110	M20	59	16	10	100	2-M50x1,5	1-M16x1,5
225M	4-6	446	325	845	705	187	60	140	M20	64	18	11	125	2-M50x1,5	1-M16x1,5
250M	2-4-6	485	360	910	770	238	60	140	M20	64	18	11	125	2-M63x1,5	1-M16x1,5
250M	2-4-6	485	360	910	770	238	65	140	M20	69	18	11	125	2-M63x1,5	1-M16x1,5
280S	2-4-6	547	390	970	830	238	65	140	M20	69	18	11	125	2-M63x1,5	1-M16x1,5
280S	2-4-6	547	390	970	830	238	75	140	M20	79,5	20	12	125	2-M63x1,5	1-M16x1,5
280M	2-4-6	547	390	1025	885	238	65	140	M20	69	18	11	125	2-M63x1,5	1-M16x1,5
280M	2-4-6	547	390	1025	885	238	75	140	M20	79,5	20	12	125	2-M63x1,5	1-M16x1,5

B5	M	N	P	LA	S	T
160	300	250	350	13	19	5
180	300	250	350	15	19	5
200	350	300	400	17	19	5
225	400	350	450	20	19	5
250	500	450	550	22	19	5
280	500	450	550	22	19	5

3.2.2 Standard high efficiency (TS), high (TH) and premium (TP) motors

MOTOVARIO S.A.U., three-phase, single polarity motors are available in three different versions (IE1-IE2-IE3) in compliance with standard 60034-30-1 (see table). The efficiency value is calculated according to the method set forth in standard IEC 60034-2-1.

1. IE1: Standard efficiency TS series.
2. IE2: High efficiency TH series
3. IE3: Premium efficiency TP series.

Table of MOTOVARIO S.A.U. commercial availability

NOMINAL POWER [kW]	POLES	EFFICIENCY LEVEL		
		IE1	IE2	IE3
$0,09 \leq P_n < 0,75$	2 - 4 - 6	TS-TBS	-	-
$0,75 \leq P_n \leq 11$	2 - 4	TBS	-	-
$0,75 \leq P_n \leq 5,5$	6	TBS	TH-TBH	TP-TBP
$0,75 \leq P_n \leq 9,2$	2 - 4	-	TH-TBH	-
$0,75 \leq P_n \leq 7,5$	2 - 4	-	-	TP-TBP
$7,5 \leq P_n \leq 22$	6	TBS (*)	-	TP
$11 \leq P_n \leq 90$	4	-	-	TP
$15 \leq P_n \leq 37$	2	TBS (*)	-	TP
$15 \leq P_n \leq 55$	4	TBS (*)	-	-

(*) Series available on request.

3.2.3 Nominal power - [kW]

	63A	63B	63C	71A	71B	71C	80A			80B		
Poles	TS	TS	TS	TS	TS	TS	TS	TH	TP	TS	TH	TP
2	0,18	0,25	0,37	0,37	0,55	-	-	0,75	0,75	-	1,1	1,1
4	0,12	0,18	0,22	0,25	0,37	0,55	0,55	-	-	-	0,75	0,75
6	0,09	0,12	0,15	0,18	0,25	0,37	0,37	-	-	0,55	-	-

	90S		90L		100LR	100L	100LA		112MR	112MS	112MA	112M
Poles	TH	TP	TH	TP	TP	TP	TH	TP	TP	TP	TH	TP
2	1,5	1,5	2,2	2,2	-	3	3	-	-	-	4	4
4	1,1	1,1	1,5	1,5	-	-	2,2	2,2	2,2	3	4	4
6	-	0,75	0,75	-	1,1	1,5	1,1	-	-	-	2,2	2,2

	112MR	112MS	132S	132SA	132MS	132SB	132M	132MA		132MB	
Poles	TP	TP	TP	TH	TP	TH	TP	TH	TP	TH	TP
2	-	-	5,5	5,5	-	7,5	7,5	9,2	-	-	-
4	2,2	3	-	5,5	5,5	-	7,5	7,5	-	9,2	-
6	-	-	3	3	-	-	-	4	4	5,5	5,5

	160M	160MA	160MB	160L	160LA	180M	180L
Poles	TP	TP	TP	TP	TP	TP	TP
2	-	11	15	18,5	-	22	-
4	-	11	-	-	15	18,5	22
6	7,5	-	-	11	-	-	15

	200L	200LA	200LB	225S	225M	250M	280S	280M
Poles	TP	TP	TP	TP	TP	TP	TP	TP
2	-	30	37	-	-	-	-	-
4	30	-	-	37	45	55	75	90
6	-	18,5	22	-	-	-	-	-

The values reported in the tables are referred to the weight of the gearbox with lubricant included.
Weight without motor.

LAC (- kg)					
30X	40X	50X	63X	75X	90X
1,2	2,3	3,5	6,2	9	13

LA (- kg)					
30X	40X	50X	63X	75X	90X
1	2	3,3	5,8	8,8	13

LWC - LXWC (- kg)					
40	50	63	90	110	130
5,5	8,5	14	29	32	43,5

LW - LXW (- kg)					
40	50	63	90	110	130
4,5	6	11	29	32	43,5

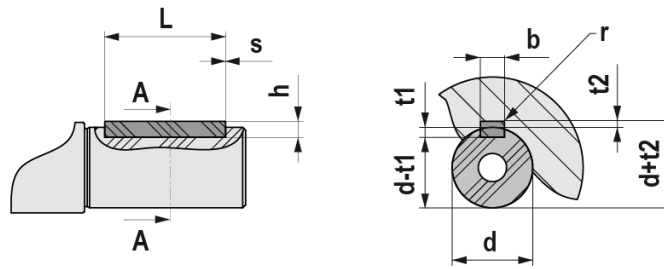
	SXA141+LAC40X (- kg)	SXA141+LAC50X (- kg)
063	4,2	5,4
071	4,3	5,5
080	4,5	5,7

LAC+LAC (- kg)					
30-40X	30-50X	30-63X	40-75X	40-90X	50-90X
3,5	4,7	7,4	11,3	15,3	16,5

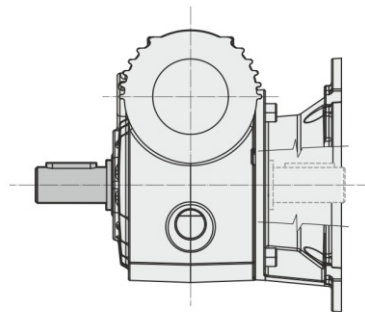
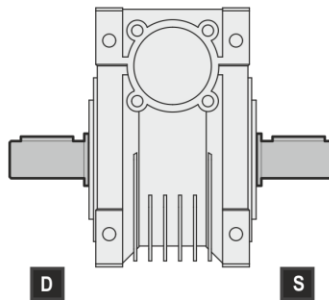
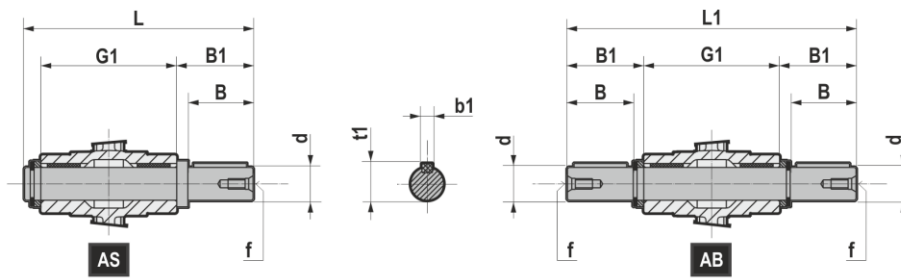
LA+LAC (- kg)					
30-40X	30-50X	30-63X	40-75X	40-90X	50-90X
3,5	4,7	7,4	11,3	15,3	16,5

LWBC+LWPC - LWBC+LWBC -LWBC+LXWC (- kg)						
40-50	40-63	40-90	50-90	50-110	63-110	63-130
11,5	19,5	34,5	37,5	40,5	46	57,5

LWB+LWPC -LWB+LWBC -LWB+LXWC (- kg)						
40-50	40-63	40-90	50-90	50-110	63-110	63-130
10,5	15,5	33,5	35	38	43	54,5



UNI 6604 - DIN 6885														
d		b x h			Tol. b/h	L		s min / max	b	t1	t2	Tol. t1/t2	r max	
	6	8	2	x	2	h9 / h9	6	20	0,16 0,25	2	1,2	1	0,1 0	0,08 0,16
>	8	10	3	x	3		6	36		3	1,8	1,4		
>	10	12	4	x	4		8	45		4	2,5	1,8		
>	12	17	5	x	5		10	56	0,25 0,4	5	3	2,3		0,16 0,25
>	17	22	6	x	6		14	70		6	3	2,8		
>	22	30	8	x	7		18	90		8	4	3,3		
>	30	38	10	x	8	22	110	0,4 0,6	10	5	3,3	0,25 0,4		
>	38	44	12	x	8	28	140		12	5	3,3			
>	44	50	14	x	9	36	160		14	5,5	3,8			
>	50	58	16	x	10	45	180	0,6 0,8	16	6	4,3	0,25 0,4		
>	58	65	18	x	11	50	200		18	7	4,4			
>	65	75	20	x	12	56	110		20	7,5	4,9			
>	75	85	22	x	14	h9 / h11	63	140	0,6 0,8	22	9	5,4	0,2 0	0,4 0,6
>	85	95	25	x	14		70	160		25	9	5,4		
>	95	110	28	x	16		80	180		28	10	6,4		
>	110	130	32	x	18		90	200	32	11	7,4	0,7 1		
>	130	150	36	x	20		100	160	36	12	8,4			
>	150	170	40	x	22		110	180	40	13	9,4			
>	170	200	45	x	25	125	200	1,2	45	14	10,4	0,3 0		



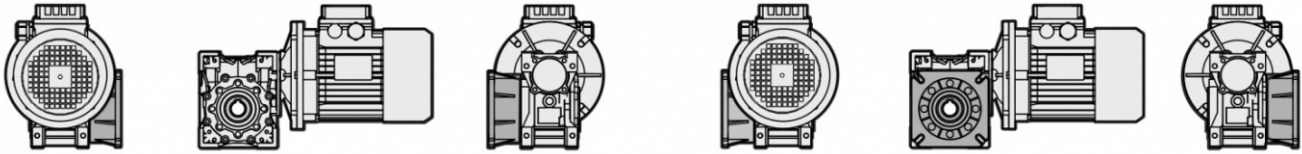
	d	B	B1	G1	L	L1	f	b1	t1
LA 30X	14 h6	30	32,5	63	102	128	M6	5	16
LA 40X	18 h6	40	43	78	128	164	M6	6	20,5
LA 50X	25 h6	50	53,5	92	153	199	M10	8	28
LA 63X	25 h6	50	53,5	112	173	219	M10	8	28
LA 75X	28 h6	60	63,5	120	192	247	M10	8	31
LA 90X	35 h6	80	84,5	140	234	309	M12	10	38

	d	B	B1	G1	L	L1	f	b1	t1
LW 40	18 h6	40	43	78	128	164	M6	6	20,5
LW 50	25 h6	50	53,5	92	153	199	M10	8	28
LW 63	25 h6	50	53,5	112	173	219	M10	8	28
LXW 90	35 h6	80	84,5	140	234	309	M12	10	38
LXW 110	42 h6	80	84,5	155	249	324	M16	12	45
LXW130	45 h6	80	85	170	265	340	M16	14	48,5

LA - LXW

K

J



Unless specified otherwise, the reduction unit is supplied with the flange in pos. J referred to position B3.

	LA					
	30X	40X	50X	63X	75X	90X
BA	1	1	1	1	1	1
BB	-	1	1	1	3	2
BC	-	2	2	2	-	3
BD	-	2	2	2	-	1
BE	-	-	-	3	-	-

	LXW		
	90	110	130
BA	1	1	1
BB	1	1	-
BC	-	-	-
BD	-	-	-
BE	-	-	-

LW

R

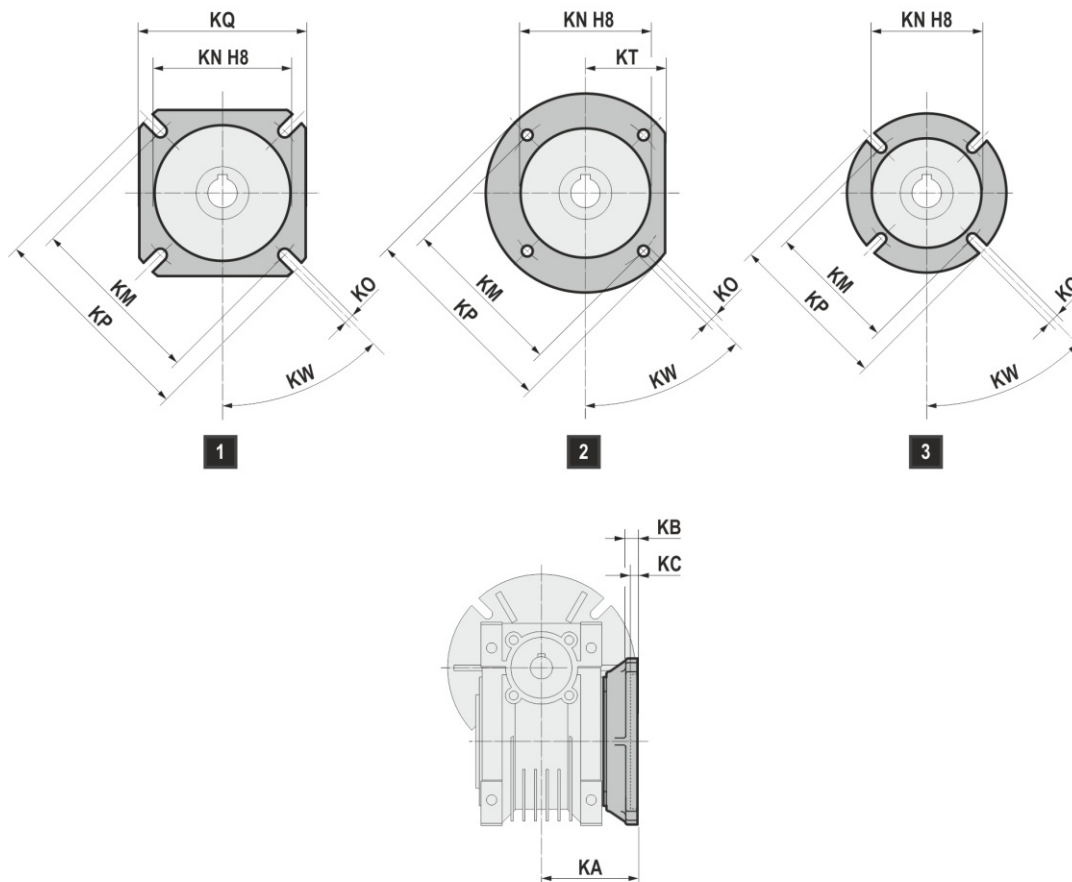
L



Unless specified otherwise, the reduction unit is supplied with the flange in pos. L referred to position B3.

	LW		
	40	50	63
BA	4	4	4
BB	3	3	3
BC	3	3	3

LA - LXW

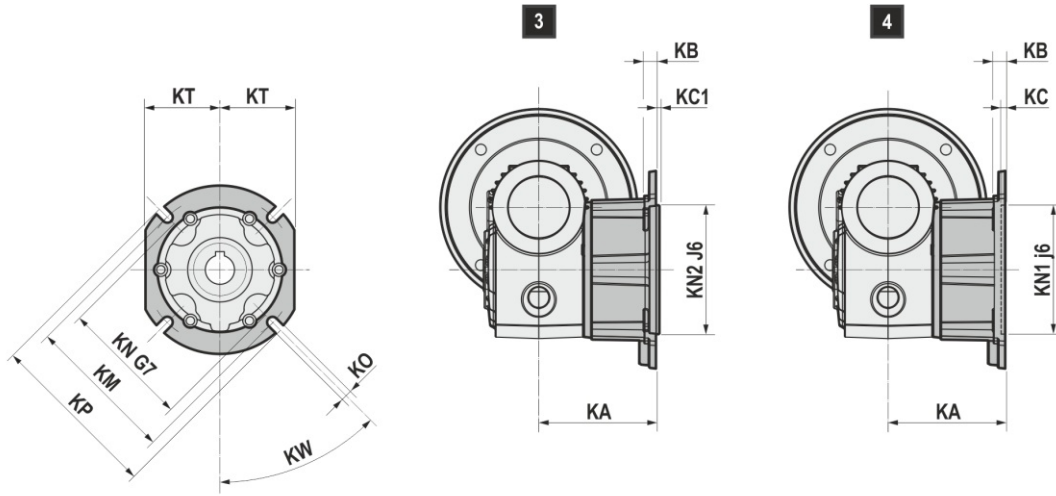


	BA									BB									
	KA	KB	KC	KN	KM	KO	KP	KQ	KW	KA	KB	KC	KN	KM	KO	KP	KQ	KT	KW
LA 30X	54,5	6	4	50	68	6.5 (n°4)	80	70	45°	-	-	-	-	-	-	-	-	-	-
LA 40X	67	7	4	60	80 min	9 (n°4)	110	95	45°	97	7	4	60	80 min	9 (n°4)	110	95	-	45°
LA 50X	90	9	5	70	90 min	11 (n°4)	125	110	45°	120	9	5	70	90 min	11 (n°4)	125	110	-	45°
LA 63X	82	10	6	115	150	11 (n°4)	180	142	45°	112	10	6	115	150	11 (n°4)	180	142	-	45°
LA 75X	111	13	6	130	165	14 (n°4)	200	170	45°	90	13	6	110	130	11 (n°4)	160	-	-	45°
LA 90X	111	13	6	152	175	14 (n°4)	210	200	45°	122	18	6	180	215	14 (n°4)	250	-	105	45°
LXW 90	106	12	6	152	176	13 (n°4)	211	190	45°	135	12	5	152	180	11 (no4)	211	190	-	45°
LXW 110	131	15	6	170	230	14 (n°8)	280	260	45°	180	15	6	170	230	14 (n°8)	280	260	-	45°
LXW 130	140	15	6	180	255	16 (n°8)	320	290	22.5°	-	-	-	-	-	-	-	-	-	-

	BC									BD									
	KA	KB	KC	KN	KM	KO	KP	KT	KW	KA	KB	KC	KN	KM	KO	KP	KQ	KT	KW
LA 40X	80	9	5	95	115	9.5 (n°4)	140	56	45°	58	12	5	80	100	9 (n°4)	120	-	50	45°
LA 50X	89	10	5	110	130	9.5 (n°4)	160	66	45°	72	14,5	5	95	115	11 (n°4)	140	-	60	45°
LA 63X	98	10	5	130	165	11 (n°4)	200	80	45°	107	10	5	130	165	11 (n°4)	200	-	-	45°
LA 90X	110	17	6	130	165	11 (n°4)	200	-	45°	151	13	6	152	175	14 (n°4)	210	200	-	45°

	BE							
	KA	KB	KC	KN	KM	KO	KP	KW
LA 63X	80,5	16,5	5	110	130	11 (n°4)	160	45°

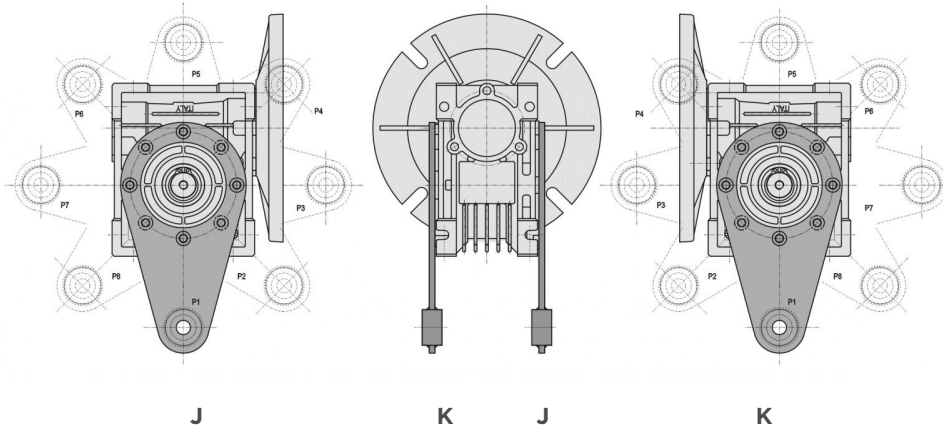
LW



	BA									BB								
	KA	KB	KC	KN	KM	KO	KP	KT	KW	KA	KB	KC1	KN2	KM	KO	KP	KT	KW
LWB 40	55	8	3	90	110	9 (n°4)	124	55	45°	55	8	3,5	90	110	9 (n°4)	124	55	45°
LWB 50	64	10	3	110	130	9 (n°4)	145	65	45°	64	10	3,5	110	130	9 (n°4)	145	65	45°
LWB 63	75	10	3	125	150	11 (n°4)	170	75	45°	75	10	3,5	125	150	11 (n°4)	170	75	45°

	BC							
	KA	KB	KC1	KN2	KM	KO	KP	KW
LWB 40	91	9	3,5	110	130	9 (n°4)	160	45°
LWB 50	97,5	10	3,5	130	165	11 (n°4)	200	45°
LWB 63	118	12	3,5	130	165	11 (n°4)	200	45°

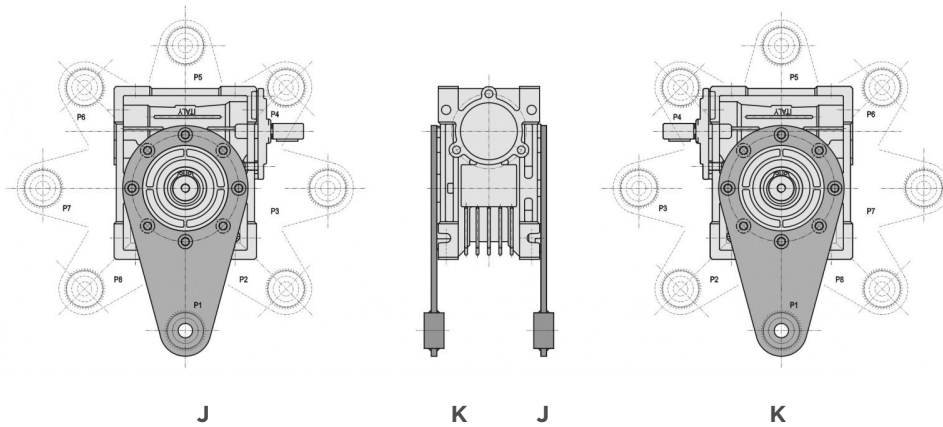
4.3.1 Torque arm: Mounting position



LAC	P1		P2		P3		P4		P5		P6		P7		P8		
	J	K	J	K	J	K	J	K	J	K	J	K	J	K	J	K	
LAC 30X			NO	NO	NO	NO	NO	NO									
LAC 40X			NO	NO	NO	NO	NO	NO									
LAC 50X			NO	NO	NO	NO	NO	NO			NO	NO					
LAC 63X					NO	NO	NO	NO									
LAC 75X			NO	NO	NO	NO	NO	NO									
LAC 90X					NO	NO	NO	NO									

LWC	P1		P2		P3		P4		P5		P6		P7		P8		
	J	K	J	K	J	K	J	K	J	K	J	K	J	K	J	K	
LWC 40			NO	NO	NO	NO	NO	NO									
LWC 50			NO	NO	NO	NO	NO	NO									
LWC 63			NO	NO	NO	NO	NO	NO									

LXWC	P1		P2		P3		P4		P5		P6		P7		P8		
	J	K	J	K	J	K	J	K	J	K	J	K	J	K	J	K	
LXWC 90					NO	NO	NO	NO									
LXWC 110					NO	NO	NO	NO									
LXWC 130					NO	NO	NO	NO									



LA	P1		P2		P3		P4		P5		P6		P7		P8		
	J	K	J	K	J	K	J	K	J	K	J	K	J	K	J	K	
LA 30X			NO	NO			NO	NO									
LA 40X				NO		NO	NO	NO									
LA 50X			NO	NO			NO	NO			NO	NO					
LA 63X							NO	NO									
LA 75X							NO	NO									
LA 90X							NO	NO									

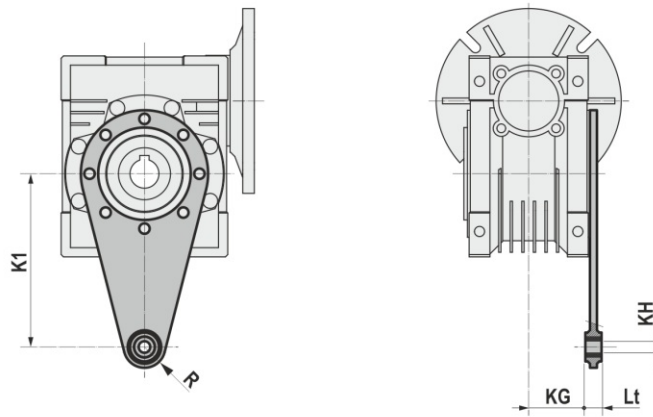
LW	P1		P2		P3		P4		P5		P6		P7		P8		
	J	K	J	K	J	K	J	K	J	K	J	K	J	K	J	K	
LW 40																	
LW 50																	
LW 63																	

LXW	P1		P2		P3		P4		P5		P6		P7		P8		
	J	K	J	K	J	K	J	K	J	K	J	K	J	K	J	K	
LXW 90							NO	NO									
LXW 110							NO	NO									
LXW 130							NO	NO									

For information on torque arm mounting positions on combined worm gear reducers and worm gear reducers with pre-stage units, please contact MOTOVARIO TECHNICAL SERVICE.

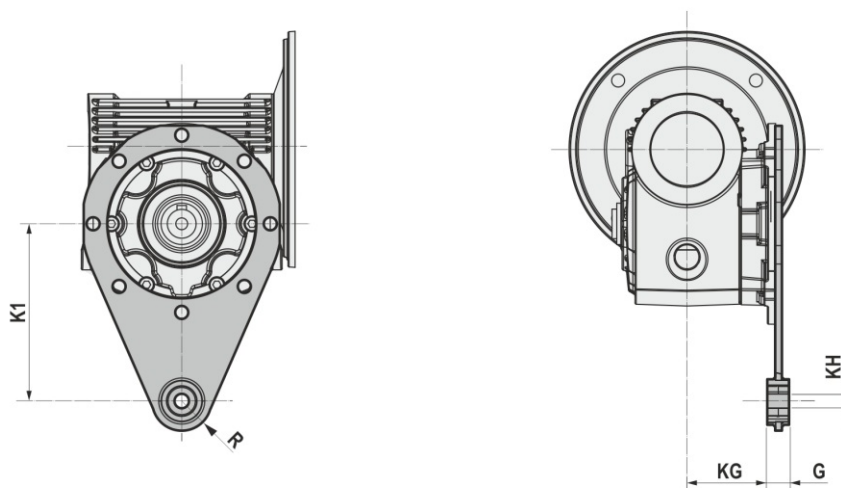
4.3.2 Torque arm: Dimensions

LA - LXW



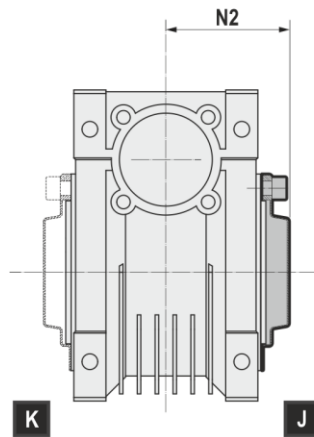
	LA						LXW		
	30X	40X	50X	63X	75X	90X	90	110	130
K1	85	100	100	150	200	200	200	250	250
G	14	14	14	14	25	25	25	30	30
KG	24	31,5	38,5	49	47,5	57,5	57,5	62	69
KH	8 +0,1/+0,05	10 +0,3/0	10 +0,3/0	10 +0,3/0	20 +0,3/0	20 +0,3/0	20 +0,3/0	25 +0,3/0	25 +0,3/0
R	15	18	18	18	30	30	30	35	35

LW



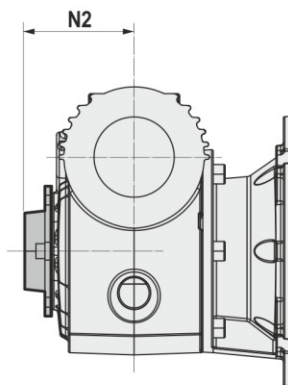
	LW		
	40	50	63
K1	100	120	150
G	18	18	18
KG	48	57	68
KH	12 +0,2/-0,2	12 +0,2/-0,2	12 +0,2/-0,2
R	25	25	25

LA - LXW

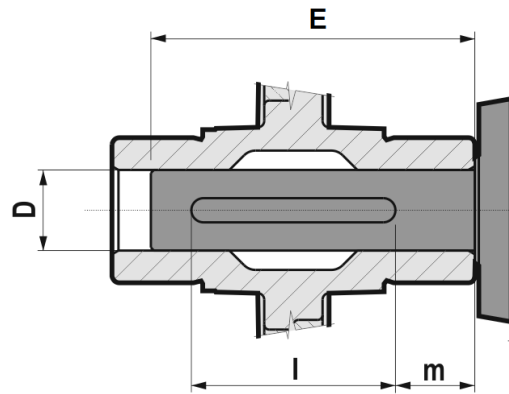


LA - LXW	N2
LA 30X	42
LA 40X	50
LA 50X	57,5
LA 63X	68,5
LA 75X	73,5
LA 90X	85,5
LXW 90	85,5
LXW 110	94
LXW 130	102

LW



LW	N2
LW 40	54
LW 50	62
LW 63	73



LA - LW - LXW	D H8/h6	E*	l*	m*
LA 30X	14	55	40	7,5
LA 40X - LW40	18	70	50	10
	19			
LA 50X - LW 50	24	80	55	12,5
	25			
LA 63X - LW 63	25	100	70	15
	28			
LA 75X	28	105	75	15
	30			
	32			
	35			
LA 90X - LXW 90	35	120	80	20
	38			
	40			
LXW 110	42	135	95	20
LXW 130	45	145	100	22,5

(*) Suggested values.

0,09 kW

n2 [rpm]	M2 [Nm]	fs	i	Gear reducer	Motor		Fr2 [N]
					Size	Pole	
125,0	6	3,3	10,00	LAC 30X	56B	4	752
115,0	6	3,4	7,50	LAC 30X	63A	6	792
86,0	8	2,6	10,00	LAC 30X	63A	6	871
83,0	8	2,4	15,00	LAC 30X	56B	4	861
63,0	10	1,8	20,00	LAC 30X	56B	4	948
57,0	11	1,9	15,00	LAC 30X	63A	6	997
50,0	12	1,9	25,00	LAC 30X	56B	4	1021
43,0	14	1,4	20,00	LAC 30X	63A	6	1098
43,0	15	3,2	20,00	LAC 40X	63A	6	2113
42,0	14	1,5	30,00	LAC 30X	56B	4	1085
39,0	17	3,8	22,08	SXA141+LAC 40X	63A	6	2217
36,0	19	3,6	23,75	SXA141+LAC 40X	63A	6	2272
34,0	16	1,5	25,00	LAC 30X	63A	6	1183
34,0	18	2,5	25,00	LAC 40X	63A	6	2276
34,0	21	3,3	25,50	SXA141+LAC 40X	63A	6	2326
34,0	21	4,0	25,50	SXA141+LAC 50X	63A	6	3193
31,0	17	1,2	40,00	LAC 30X	56B	4	1194
29,0	19	1,2	30,00	LAC 30X	63A	6	1257
29,0	20	2,6	30,00	LAC 40X	63A	6	2419
29,0	22	3,0	29,44	SXA141+LAC 40X	63A	6	2440
27,0	25	2,7	31,50	SXA141+LAC 40X	63A	6	2496
27,0	25	3,2	31,50	SXA141+LAC 50X	63A	6	3426
25,0	19	0,9	50,00	LAC 30X	56B	4	1286
25,0	22	1,9	50,00	LAC 40X	56B	4	2475
24,0	28	2,6	35,63	SXA141+LAC 40X	63A	6	2600
22,0	22	0,9	40,00	LAC 30X	63A	6	1383
22,0	25	2,0	40,00	LAC 40X	63A	6	2662
22,0	26	3,4	40,00	LAC 50X	63A	6	3654
21,0	21	0,7	60,00	LAC 30X	56B	4	1367
21,0	24	1,6	60,00	LAC 40X	56B	4	2630
21,0	32	2,3	40,91	SXA141+LAC 40X	63A	6	2723
21,0	32	3,7	40,91	SXA141+LAC 50X	63A	6	3738
19,0	32	2,1	44,17	SXA141+LAC 40X	63A	6	2794
19,0	32	4,0	44,17	SXA141+LAC 50X	63A	6	3834
18,0	35	2,0	47,50	SXA141+LAC 40X	63A	6	2862
18,0	36	3,8	47,50	SXA141+LAC 50X	63A	6	3928
17,0	26	0,7	50,00	LAC 30X	63A	6	1490
17,0	29	1,6	50,00	LAC 40X	63A	6	2868
17,0	30	2,7	50,00	LAC 50X	63A	6	3936
16,0	29	1,1	80,00	LAC 40X	56B	4	2895
16,0	41	1,7	54,55	SXA141+LAC 40X	63A	6	2997
16,0	42	3,3	54,55	SXA141+LAC 50X	63A	6	4114

0,09 kW

n2 [rpm]	M2 [Nm]	fs	i	Gear reducer	Motor		Fr2 [N]
					Size	Pole	
15,0	40	1,5	58,89	SXA141+LAC 40X	63A	6	3075
15,0	40	2,8	58,89	SXA141+LAC 50X	63A	6	4220
14,0	33	1,2	60,00	LAC 40X	63A	6	3047
14,0	34	2,3	60,00	LAC 50X	63A	6	4183
14,0	47	1,5	63,00	SXA141+LAC 40X	63A	6	3145
14,0	48	2,8	63,00	SXA141+LAC 50X	63A	6	4316
13,0	33	0,9	100,00	LAC 40X	56B	4	3118
12,5	39	1,8	100,00	LAC+LAC 30+40X	56B	4	2769
12,5	40	3,4	100,00	LAC+LAC 30+50X	56B	4	3800
12,5	40	3,7	100,00	LAC+LAC 30+63X	56B	4	4967
12,0	50	1,4	71,25	SXA141+LAC 40X	63A	6	3276
12,0	50	2,7	71,25	SXA141+LAC 50X	63A	6	4497
11,0	39	0,9	80,00	LAC 40X	63A	6	3354
11,0	40	1,7	80,00	LAC 50X	63A	6	4604
11,0	59	1,2	78,75	SXA141+LAC 40X	63A	6	3387
11,0	60	2,3	78,75	SXA141+LAC 50X	63A	6	4649
10,0	52	1,3	88,33	SXA141+LAC 40X	63A	6	3490
10,0	53	2,5	88,33	SXA141+LAC 50X	63A	6	4831
9,0	44	0,7	100,00	LAC 40X	63A	6	3490
9,0	45	1,2	100,00	LAC 50X	63A	6	4840
9,0	67	1,1	94,50	SXA141+LAC 40X	63A	6	3490
9,0	67	2,0	94,50	SXA141+LAC 50X	63A	6	4840
8,3	56	1,3	150,00	LAC+LAC 30+40X	56B	4	3169
8,3	56	2,4	150,00	LAC+LAC 30+50X	56B	4	4350
8,3	57	2,6	150,00	LAC+LAC 30+63X	56B	4	4967
8,0	68	1,0	102,00	SXA141+LAC 40X	63A	6	3490
8,0	73	0,9	109,09	SXA141+LAC 40X	63A	6	3490
8,0	68	1,8	102,00	SXA141+LAC 50X	63A	6	4840
8,0	73	1,6	109,09	SXA141+LAC 50X	63A	6	4840
7,0	80	0,8	127,50	SXA141+LAC 40X	63A	6	3490
7,0	84	0,9	118,13	SXA141+LAC 40X	63A	6	3490
7,0	80	1,4	127,50	SXA141+LAC 50X	63A	6	4840
7,0	84	1,6	118,13	SXA141+LAC 50X	63A	6	4840
6,2	70	0,9	200,00	LAC+LAC 30+40X	56B	4	3488
6,2	70	1,7	200,00	LAC+LAC 30+50X	56B	4	4788
6,2	72	2,0	200,00	LAC+LAC 30+63X	56B	4	4967
6,0	80	0,8	154,67	SXA141+LAC 40X	63A	6	3490
6,0	82	0,9	142,50	SXA141+LAC 40X	63A	6	3490
6,0	82	1,5	154,67	SXA141+LAC 50X	63A	6	4840
6,0	83	1,7	142,50	SXA141+LAC 50X	63A	6	4840
5,0	83	0,7	250,00	LAC+LAC 30+40X	56B	4	3490
5,0	83	1,3	250,00	LAC+LAC 30+50X	56B	4	4840

0,09 kW

n2 [rpm]	M2 [Nm]	fs	i	Gear reducer	Motor Size	Pole	Fr2 [N]
5,0	84	2,1	250,00	LAC+LAC 30+63X	56B	4	4967
5,0	94	0,8	163,64	SXA141+LAC 40X	63A	6	3490
5,0	95	1,5	163,64	SXA141+LAC 50X	63A	6	4840
4,6	110	1,3	189,00	SXA141+LAC 50X	63A	6	4840
4,2	107	1,2	204,00	SXA141+LAC 50X	63A	6	4840
4,2	90	0,8	300,00	LAC+LAC 30+40X	56B	4	3490
4,2	92	1,6	300,00	LAC+LAC 30+50X	56B	4	4840
4,2	88	2,9	300,00	LAC+LAC 30+63X	56B	4	6270
3,6	137	1,1	236,25	SXA141+LAC 50X	63A	6	4840
3,4	132	0,9	252,00	SXA141+LAC 50X	63A	6	4840
3,2	132	0,9	272,73	SXA141+LAC 50X	63A	6	4840
3,1	110	1,1	400,00	LAC+LAC 30+50X	56B	4	4840
3,1	114	2,2	400,00	LAC+LAC 30+63X	56B	4	6270
3,0	127	0,8	285,00	SXA141+LAC 50X	63A	6	4840
2,7	153	0,8	315,00	SXA141+LAC 50X	63A	6	4840
2,5	127	0,9	500,00	LAC+LAC 30+50X	56B	4	4840
2,5	132	1,8	500,00	LAC+LAC 30+63X	56B	4	6270
2,1	164	0,9	600,00	LAC+LAC 30+50X	56B	4	4840
2,1	166	1,6	600,00	LAC+LAC 30+63X	56B	4	6270
1,7	191	0,8	750,00	LAC+LAC 30+50X	56B	4	4840
1,7	194	1,4	750,00	LAC+LAC 30+63X	56B	4	6270
1,4	222	1,2	900,00	LAC+LAC 30+63X	56B	4	6270
1,0	270	1,0	1200,00	LAC+LAC 30+63X	56B	4	6270
0,8	315	0,9	1500,00	LAC+LAC 30+63X	56B	4	6270
0,8	371	1,2	1500,00	LAC+LAC 40+75X	56B	4	7380
0,8	389	1,8	1500,00	LAC+LAC 40+90X	56B	4	8180
0,7	351	0,8	1800,00	LAC+LAC 30+63X	56B	4	6270
0,7	417	1,1	1800,00	LAC+LAC 40+75X	56B	4	7380
0,7	437	1,6	1800,00	LAC+LAC 40+90X	56B	4	8180
0,5	513	0,8	2400,00	LAC+LAC 40+75X	56B	4	7380
0,5	539	1,1	2400,00	LAC+LAC 40+90X	56B	4	8180
0,4	630	0,9	3000,00	LAC+LAC 40+90X	56B	4	8180
0,3	755	0,7	4000,00	LAC+LAC 40+90X	56B	4	8180

0,12 kW

n2 [rpm]	M2 [Nm]	fs	i	Gear reducer	Motor Size	Pole	Fr2 [N]
265,0	4	3,5	10,00	LAC 30X	56B	2	597
179,0	5	3,5	7,50	LAC 30X	63A	4	683
177,0	5	2,4	15,00	LAC 30X	56B	2	683
172,0	6	3,7	5,00	LAC 30X	63B	6	692
134,0	7	2,7	10,00	LAC 30X	63A	4	752

0,12 kW

n ₂ [rpm]	M ₂ [Nm]	f _s	i	Gear reducer	Motor		Fr ₂ [N]
					Size	Pole	
133,0	7	1,8	20,00	LAC 30X	56B	2	752
115,0	8	2,5	7,50	LAC 30X	63B	6	792
106,0	8	2,0	25,00	LAC 30X	56B	2	810
89,0	10	1,9	15,00	LAC 30X	63A	4	861
88,0	9	1,6	30,00	LAC 30X	56B	2	861
86,0	11	1,9	10,00	LAC 30X	63B	6	871
67,0	13	1,4	20,00	LAC 30X	63A	4	948
67,0	14	3,2	20,00	LAC 40X	63A	4	1824
66,0	12	1,2	40,00	LAC 30X	56B	2	948
61,0	15	3,8	22,08	SXA141+LAC 40X	63A	4	1913
57,0	15	1,4	15,00	LAC 30X	63B	6	997
57,0	16	3,2	15,00	LAC 40X	63B	6	1920
56,0	17	3,8	23,75	SXA141+LAC 40X	63A	4	1959
54,0	15	1,5	25,00	LAC 30X	63A	4	1021
54,0	16	2,4	25,00	LAC 40X	63A	4	1964
53,0	14	1,0	50,00	LAC 30X	56B	2	1021
53,0	15	2,0	50,00	LAC 40X	56B	2	1964
53,0	18	3,6	25,50	SXA141+LAC 40X	63A	4	2006
46,0	20	3,0	29,44	SXA141+LAC 40X	63A	4	2105
45,0	17	1,2	30,00	LAC 30X	63A	4	1085
45,0	18	2,6	30,00	LAC 40X	63A	4	2087
44,0	15	0,8	60,00	LAC 30X	56B	2	1085
44,0	17	1,6	60,00	LAC 40X	56B	2	2087
43,0	19	1,1	20,00	LAC 30X	63B	6	1098
43,0	20	2,4	20,00	LAC 40X	63B	6	2113
43,0	22	3,1	31,50	SXA141+LAC 40X	63A	4	2153
43,0	22	3,4	31,50	SXA141+LAC 50X	63A	4	2955
39,0	23	2,9	22,08	SXA141+LAC 40X	63B	6	2217
38,0	24	2,8	35,63	SXA141+LAC 40X	63A	4	2243
36,0	25	2,7	23,75	SXA141+LAC 40X	63B	6	2272
36,0	25	3,1	23,75	SXA141+LAC 50X	63B	6	3118
34,0	22	1,1	25,00	LAC 30X	63B	6	1183
34,0	21	0,9	40,00	LAC 30X	63A	4	1194
34,0	24	1,9	25,00	LAC 40X	63B	6	2276
34,0	23	2,0	40,00	LAC 40X	63A	4	2298
34,0	23	3,5	40,00	LAC 50X	63A	4	3153
34,0	27	2,5	25,50	SXA141+LAC 40X	63B	6	2326
34,0	27	3,0	25,50	SXA141+LAC 50X	63B	6	3193
33,0	21	1,2	80,00	LAC 40X	56B	2	2298
33,0	27	2,5	40,91	SXA141+LAC 40X	63A	4	2349
33,0	28	4,0	40,91	SXA141+LAC 50X	63A	4	3224
30,0	28	2,2	44,17	SXA141+LAC 40X	63A	4	2410

0,12 kW

n2 [rpm]	M2 [Nm]	fs	i	Gear reducer	Motor Size	Pole	Fr2 [N]
29,0	25	0,9	30,00	LAC 30X	63B	6	1257
29,0	27	2,0	30,00	LAC 40X	63B	6	2419
29,0	30	2,2	29,44	SXA141+LAC 40X	63B	6	2440
28,0	31	2,2	47,50	SXA141+LAC 40X	63A	4	2469
27,0	24	0,8	50,00	LAC 30X	63A	4	1286
27,0	27	1,6	50,00	LAC 40X	63A	4	2475
27,0	24	1,0	100,00	LAC 40X	56B	2	2475
27,0	27	2,8	50,00	LAC 50X	63A	4	3397
27,0	34	2,0	31,50	SXA141+LAC 40X	63B	6	2496
27,0	34	2,4	31,50	SXA141+LAC 50X	63B	6	3426
25,0	35	2,0	54,55	SXA141+LAC 40X	63A	4	2585
25,0	36	3,7	54,55	SXA141+LAC 50X	63A	4	3548
24,0	37	2,0	35,63	SXA141+LAC 40X	63B	6	2600
24,0	37	3,1	35,63	SXA141+LAC 50X	63B	6	3569
23,0	36	1,6	58,89	SXA141+LAC 40X	63A	4	2652
23,0	36	2,8	58,89	SXA141+LAC 50X	63A	4	3640
22,0	30	0,7	40,00	LAC 30X	63B	6	1383
22,0	34	1,5	40,00	LAC 40X	63B	6	2662
22,0	30	1,3	60,00	LAC 40X	63A	4	2630
22,0	34	2,6	40,00	LAC 50X	63B	6	3654
22,0	31	2,3	60,00	LAC 50X	63A	4	3610
21,0	42	1,7	40,91	SXA141+LAC 40X	63B	6	2723
21,0	40	1,7	63,00	SXA141+LAC 40X	63A	4	2712
21,0	43	2,8	40,91	SXA141+LAC 50X	63B	6	3738
21,0	41	3,3	63,00	SXA141+LAC 50X	63A	4	3723
19,0	42	1,6	44,17	SXA141+LAC 40X	63B	6	2794
19,0	44	1,6	71,25	SXA141+LAC 40X	63A	4	2826
19,0	42	3,0	44,17	SXA141+LAC 50X	63B	6	3834
19,0	44	2,9	71,25	SXA141+LAC 50X	63A	4	3879
18,0	47	1,5	47,50	SXA141+LAC 40X	63B	6	2862
18,0	49	2,8	47,50	SXA141+LAC 50X	63B	6	3928
17,0	39	1,2	50,00	LAC 40X	63B	6	2868
17,0	36	0,9	80,00	LAC 40X	63A	4	2895
17,0	40	2,0	50,00	LAC 50X	63B	6	3936
17,0	37	1,8	80,00	LAC 50X	63A	4	3973
17,0	50	1,4	78,75	SXA141+LAC 40X	63A	4	2922
17,0	52	2,6	78,75	SXA141+LAC 50X	63A	4	4010
16,0	54	1,3	54,55	SXA141+LAC 40X	63B	6	2997
16,0	56	2,5	54,55	SXA141+LAC 50X	63B	6	4114
15,0	54	1,2	58,89	SXA141+LAC 40X	63B	6	3075
15,0	47	1,3	88,33	SXA141+LAC 40X	63A	4	3036
15,0	54	2,1	58,89	SXA141+LAC 50X	63B	6	4220

0,12 kW

n2 [rpm]	M2 [Nm]	fs	i	Gear reducer	Motor Size	Pole	Fr2 [N]
15,0	47	2,4	88,33	SXA141+LAC 50X	63A	4	4167
14,0	44	0,9	60,00	LAC 40X	63B	6	3047
14,0	45	1,7	60,00	LAC 50X	63B	6	4183
14,0	63	1,1	63,00	SXA141+LAC 40X	63B	6	3145
14,0	57	1,2	94,50	SXA141+LAC 40X	63A	4	3105
14,0	64	2,1	63,00	SXA141+LAC 50X	63B	6	4316
14,0	57	2,3	94,50	SXA141+LAC 50X	63A	4	4262
13,4	52	1,4	100,00	LAC+LAC 30+40X	63A	4	2769
13,4	54	2,6	100,00	LAC+LAC 30+50X	63A	4	3800
13,4	54	2,8	100,00	LAC+LAC 30+63X	63A	4	4967
13,0	41	0,7	100,00	LAC 40X	63A	4	3118
13,0	43	1,3	100,00	LAC 50X	63A	4	4280
13,0	59	1,1	102,00	SXA141+LAC 40X	63A	4	3185
13,0	59	1,9	102,00	SXA141+LAC 50X	63A	4	4372
12,0	67	1,1	71,25	SXA141+LAC 40X	63B	6	3276
12,0	63	1,0	109,09	SXA141+LAC 40X	63A	4	3257
12,0	67	2,0	71,25	SXA141+LAC 50X	63B	6	4497
12,0	63	1,8	109,09	SXA141+LAC 50X	63A	4	4471
11,0	53	1,3	80,00	LAC 50X	63B	6	4604
11,0	70	0,8	127,50	SXA141+LAC 40X	63A	4	3431
11,0	78	0,9	78,75	SXA141+LAC 40X	63B	6	3387
11,0	72	1,0	118,13	SXA141+LAC 40X	63A	4	3345
11,0	70	1,5	127,50	SXA141+LAC 50X	63A	4	4709
11,0	80	1,7	78,75	SXA141+LAC 50X	63B	6	4649
11,0	72	1,9	118,13	SXA141+LAC 50X	63A	4	4591
10,0	69	1,0	88,33	SXA141+LAC 40X	63B	6	3490
10,0	71	1,9	88,33	SXA141+LAC 50X	63B	6	4831
9,0	60	0,9	100,00	LAC 50X	63B	6	4840
9,0	72	0,8	154,67	SXA141+LAC 40X	63A	4	3490
9,0	72	1,0	142,50	SXA141+LAC 40X	63A	4	3490
9,0	89	0,8	94,50	SXA141+LAC 40X	63B	6	3490
9,0	73	1,5	154,67	SXA141+LAC 50X	63A	4	4840
9,0	73	1,9	142,50	SXA141+LAC 50X	63A	4	4840
9,0	89	1,5	94,50	SXA141+LAC 50X	63B	6	4840
8,9	74	1,0	150,00	LAC+LAC 30+40X	63A	4	3169
8,9	74	1,8	150,00	LAC+LAC 30+50X	63A	4	4350
8,9	76	2,0	150,00	LAC+LAC 30+63X	63A	4	4967
8,0	91	0,7	102,00	SXA141+LAC 40X	63B	6	3490
8,0	81	0,9	163,64	SXA141+LAC 40X	63A	4	3490
8,0	91	1,3	102,00	SXA141+LAC 50X	63B	6	4840
8,0	97	1,2	109,09	SXA141+LAC 50X	63B	6	4840
8,0	83	1,7	163,64	SXA141+LAC 50X	63A	4	4840

0,12 kW

n2 [rpm]	M2 [Nm]	fs	i	Gear reducer	Motor		Fr2 [N]
					Size	Pole	
7,0	93	0,8	189,00	SXA141+LAC 40X	63A	4	3490
7,0	107	1,0	127,50	SXA141+LAC 50X	63B	6	4840
7,0	94	1,3	204,00	SXA141+LAC 50X	63A	4	4840
7,0	95	1,5	189,00	SXA141+LAC 50X	63A	4	4840
7,0	111	1,2	118,13	SXA141+LAC 50X	63B	6	4840
6,7	94	1,3	200,00	LAC+LAC 30+50X	63A	4	4788
6,7	96	1,5	200,00	LAC+LAC 30+63X	63A	4	4967
6,7	106	3,3	200,00	LAC+LAC 40+90X	63A	4	6487
6,0	118	1,2	236,25	SXA141+LAC 50X	63A	4	4840
6,0	109	1,1	154,67	SXA141+LAC 50X	63B	6	4840
6,0	111	1,3	142,50	SXA141+LAC 50X	63B	6	4840
5,4	110	1,0	250,00	LAC+LAC 30+50X	63A	4	4840
5,4	112	1,6	250,00	LAC+LAC 30+63X	63A	4	4967
5,4	120	3,2	250,00	LAC+LAC 40+75X	63A	4	7380
5,0	114	1,1	252,00	SXA141+LAC 50X	63A	4	4840
5,0	127	1,1	163,64	SXA141+LAC 50X	63B	6	4840
4,9	116	1,0	272,73	SXA141+LAC 50X	63A	4	4840
4,7	113	0,9	285,00	SXA141+LAC 50X	63A	4	4840
4,6	147	1,0	189,00	SXA141+LAC 50X	63B	6	4840
4,5	122	1,2	300,00	LAC+LAC 30+50X	63A	4	4840
4,5	117	2,2	300,00	LAC+LAC 30+63X	63A	4	6270
4,5	134	3,3	300,00	LAC+LAC 40+75X	63A	4	7380
4,3	132	0,9	315,00	SXA141+LAC 50X	63A	4	4840
4,2	142	0,9	204,00	SXA141+LAC 50X	63B	6	4840
3,6	183	0,8	236,25	SXA141+LAC 50X	63B	6	4840
3,4	176	0,7	252,00	SXA141+LAC 50X	63B	6	4840
3,4	147	0,8	400,00	LAC+LAC 30+50X	63A	4	4840
3,4	152	1,7	400,00	LAC+LAC 30+63X	63A	4	6270
3,4	164	2,5	400,00	LAC+LAC 40+75X	63A	4	7380
3,4	173	3,5	400,00	LAC+LAC 40+90X	63A	4	8180
2,7	170	0,7	500,00	LAC+LAC 30+50X	63A	4	4840
2,7	177	1,3	500,00	LAC+LAC 30+63X	63A	4	6270
2,7	188	2,0	500,00	LAC+LAC 40+75X	63A	4	7380
2,7	202	2,8	500,00	LAC+LAC 40+90X	63A	4	8180
2,2	222	1,2	600,00	LAC+LAC 30+63X	63A	4	6270
2,2	248	1,8	600,00	LAC+LAC 40+75X	63A	4	7380
2,2	260	2,7	600,00	LAC+LAC 40+90X	63A	4	8180
1,8	258	1,0	750,00	LAC+LAC 30+63X	63A	4	6270
1,8	299	1,5	750,00	LAC+LAC 40+75X	63A	4	7380
1,8	313	2,2	750,00	LAC+LAC 40+90X	63A	4	8180
1,5	297	0,9	900,00	LAC+LAC 30+63X	63A	4	6270
1,5	335	1,3	900,00	LAC+LAC 40+75X	63A	4	7380

0,12 kW

n2 [rpm]	M2 [Nm]	fs	i	Gear reducer	Size	Motor Pole	Fr2 [N]
1,5	350	2,0	900,00	LAC+LAC 40+90X	63A	4	8180
1,1	360	0,8	1200,00	LAC+LAC 30+63X	63A	4	6270
1,1	415	1,1	1200,00	LAC+LAC 40+75X	63A	4	7380
1,1	434	1,6	1200,00	LAC+LAC 40+90X	63A	4	8180
1,1	448	1,6	1200,00	LAC+LAC 50+90X	63A	4	8180
0,9	495	0,9	1500,00	LAC+LAC 40+75X	63A	4	7380
0,9	518	1,4	1500,00	LAC+LAC 40+90X	63A	4	8180
0,9	527	1,3	1500,00	LAC+LAC 50+90X	63A	4	8180
0,7	556	0,8	1800,00	LAC+LAC 40+75X	63A	4	7380
0,7	582	1,2	1800,00	LAC+LAC 40+90X	63A	4	8180
0,7	592	1,2	1800,00	LAC+LAC 50+90X	63A	4	8180
0,6	719	0,8	2400,00	LAC+LAC 40+90X	63A	4	8180
0,6	731	0,8	2400,00	LAC+LAC 50+90X	63A	4	8180

0,15 kW

n2 [rpm]	M2 [Nm]	fs	i	Gear reducer	Size	Motor Pole	Fr2 [N]
162,0	8	2,8	5,00	LAC 30X	63C	6	692
108,0	11	1,9	7,50	LAC 30X	63C	6	792
81,0	14	1,5	10,00	LAC 30X	63C	6	871
81,0	15	3,3	10,00	LAC 40X	63C	6	1677
54,0	20	1,1	15,00	LAC 30X	63C	6	997
54,0	21	2,4	15,00	LAC 40X	63C	6	1920
41,0	25	0,8	20,00	LAC 30X	63C	6	1098
41,0	27	1,8	20,00	LAC 40X	63C	6	2113
37,0	31	2,2	22,08	SXA141+LAC 40X	63C	6	2262
37,0	31	3,4	22,08	SXA141+LAC 50X	63C	6	3105
34,0	34	2,0	23,75	SXA141+LAC 40X	63C	6	2317
34,0	34	2,3	23,75	SXA141+LAC 50X	63C	6	3181
32,0	29	0,8	25,00	LAC 30X	63C	6	1183
32,0	32	1,4	25,00	LAC 40X	63C	6	2276
32,0	36	1,9	25,50	SXA141+LAC 40X	63C	6	2373
32,0	36	2,2	25,50	SXA141+LAC 50X	63C	6	3257
28,0	40	1,7	29,44	SXA141+LAC 40X	63C	6	2490
28,0	40	3,2	29,44	SXA141+LAC 50X	63C	6	3417
27,0	36	1,5	30,00	LAC 40X	63C	6	2419
26,0	45	1,5	31,50	SXA141+LAC 40X	63C	6	2546
26,0	45	1,8	31,50	SXA141+LAC 50X	63C	6	3495
23,0	49	1,5	35,63	SXA141+LAC 40X	63C	6	2653
23,0	50	2,3	35,63	SXA141+LAC 50X	63C	6	3641
20,0	45	1,1	40,00	LAC 40X	63C	6	2662
20,0	45	1,9	40,00	LAC 50X	63C	6	3654

0,15 kW

n2 [rpm]	M2 [Nm]	fs	i	Gear reducer	Size	Motor Pole	Fr2 [N]
20,0	56	1,3	40,91	SXA141+LAC 40X	63C	6	2778
20,0	57	2,1	40,91	SXA141+LAC 50X	63C	6	3813
18,0	56	1,2	44,17	SXA141+LAC 40X	63C	6	2850
18,0	56	2,3	44,17	SXA141+LAC 50X	63C	6	3912
17,0	63	1,1	47,50	SXA141+LAC 40X	63C	6	2920
17,0	64	2,1	47,50	SXA141+LAC 50X	63C	6	4008
16,0	51	0,9	50,00	LAC 40X	63C	6	2868
16,0	53	1,5	50,00	LAC 50X	63C	6	3936
15,0	72	1,0	54,55	SXA141+LAC 40X	63C	6	3058
15,0	74	1,9	54,55	SXA141+LAC 50X	63C	6	4197
14,0	58	0,7	60,00	LAC 40X	63C	6	3047
14,0	59	1,3	60,00	LAC 50X	63C	6	4183
14,0	71	0,9	58,89	SXA141+LAC 40X	63C	6	3137
14,0	71	1,6	58,89	SXA141+LAC 50X	63C	6	4305
13,0	83	0,9	63,00	SXA141+LAC 40X	63C	6	3208
13,0	85	1,6	63,00	SXA141+LAC 50X	63C	6	4403
11,0	89	0,8	71,25	SXA141+LAC 40X	63C	6	3342
11,0	89	1,5	71,25	SXA141+LAC 50X	63C	6	4588
10,0	71	1,0	80,00	LAC 50X	63C	6	4604
10,0	107	1,3	78,75	SXA141+LAC 50X	63C	6	4743
9,0	92	0,8	88,33	SXA141+LAC 40X	63C	6	3490
9,0	94	1,4	88,33	SXA141+LAC 50X	63C	6	4840
9,0	118	1,1	94,50	SXA141+LAC 50X	63C	6	4840
8,0	80	0,7	100,00	LAC 50X	63C	6	4840
8,0	121	1,0	102,00	SXA141+LAC 50X	63C	6	4840
7,0	129	0,9	109,09	SXA141+LAC 50X	63C	6	4840
7,0	148	0,9	118,13	SXA141+LAC 50X	63C	6	4840
6,0	147	1,0	142,50	SXA141+LAC 50X	63C	6	4840
6,0	142	0,8	127,50	SXA141+LAC 50X	63C	6	4840
5,0	145	0,8	154,67	SXA141+LAC 50X	63C	6	4840
5,0	168	0,9	163,64	SXA141+LAC 50X	63C	6	4840
4,3	195	0,7	189,00	SXA141+LAC 50X	63C	6	4840

0,18 kW

n2 [rpm]	M2 [Nm]	fs	i	Gear reducer	Size	Motor Pole	Fr2 [N]
373,0	4	3,2	7,50	LAC 30X	63A	2	542
280,0	5	2,5	10,00	LAC 30X	63A	2	597
266,0	6	3,4	5,00	LAC 30X	63B	4	597
187,0	8	1,7	15,00	LAC 30X	63A	2	683
187,0	8	4,0	15,00	LAC 40X	63A	2	1315
177,0	8	2,3	7,50	LAC 30X	63B	4	683

0,18 kW

n2 [rpm]	M2 [Nm]	fs	i	Gear reducer	Motor		Fr2 [N]
					Size	Pole	
140,0	10	1,2	20,00	LAC 30X	63A	2	752
140,0	10	2,8	20,00	LAC 40X	63A	2	1447
133,0	11	1,8	10,00	LAC 30X	63B	4	752
120,0	12	3,8	7,50	LAC 40X	71A	6	1524
112,0	12	1,4	25,00	LAC 30X	63A	2	810
112,0	12	2,3	25,00	LAC 40X	63A	2	1559
93,0	13	1,1	30,00	LAC 30X	63A	2	861
93,0	14	2,4	30,00	LAC 40X	63A	2	1657
90,0	16	3,0	10,00	LAC 40X	71A	6	1677
89,0	15	1,3	15,00	LAC 30X	63B	4	861
89,0	16	2,7	15,00	LAC 40X	63B	4	1657
70,0	16	0,9	40,00	LAC 30X	63A	2	948
70,0	18	1,7	40,00	LAC 40X	63A	2	1824
70,0	18	3,2	40,00	LAC 50X	63A	2	2503
67,0	19	0,9	20,00	LAC 30X	63B	4	948
67,0	20	2,1	20,00	LAC 40X	63B	4	1824
60,0	23	2,2	15,00	LAC 40X	71A	6	1920
60,0	23	2,5	22,08	SXA141+LAC 40X	63B	4	1917
56,0	21	1,4	50,00	LAC 40X	63A	2	1964
56,0	21	2,5	50,00	LAC 50X	63A	2	2696
56,0	25	2,5	23,75	SXA141+LAC 40X	63B	4	1964
56,0	25	2,9	23,75	SXA141+LAC 50X	63B	4	2696
53,0	22	1,0	25,00	LAC 30X	63B	4	1021
53,0	25	1,6	25,00	LAC 40X	63B	4	1964
52,0	27	2,4	25,50	SXA141+LAC 40X	63B	4	2011
52,0	27	2,8	25,50	SXA141+LAC 50X	63B	4	2761
47,0	24	1,2	60,00	LAC 40X	63A	2	2087
47,0	25	2,0	60,00	LAC 50X	63A	2	2865
45,0	29	1,7	20,00	LAC 40X	71A	6	2113
45,0	29	2,8	20,00	LAC 50X	71A	6	2900
45,0	30	2,0	29,44	SXA141+LAC 40X	63B	4	2110
45,0	30	3,8	29,44	SXA141+LAC 50X	63B	4	2896
44,0	26	0,8	30,00	LAC 30X	63B	4	1085
44,0	28	1,7	30,00	LAC 40X	63B	4	2087
42,0	33	2,0	31,50	SXA141+LAC 40X	63B	4	2158
42,0	33	2,3	31,50	SXA141+LAC 50X	63B	4	2962
41,0	33	2,0	22,08	SXA141+LAC 40X	71A	6	2184
41,0	34	3,1	22,08	SXA141+LAC 50X	71A	6	2997
38,0	37	1,9	23,75	SXA141+LAC 40X	71A	6	2237
38,0	37	2,1	23,75	SXA141+LAC 50X	71A	6	3071
37,0	36	1,9	35,63	SXA141+LAC 40X	63B	4	2249
37,0	37	2,9	35,63	SXA141+LAC 50X	63B	4	3086

0,18 kW

n2 [rpm]	M2 [Nm]	fs	i	Gear reducer	Motor		Fr2 [N]
					Size	Pole	
36,0	35	1,3	25,00	LAC 40X	71A	6	2276
36,0	35	2,2	25,00	LAC 50X	71A	6	3124
35,0	29	0,8	80,00	LAC 40X	63A	2	2298
35,0	30	1,5	80,00	LAC 50X	63A	2	3153
35,0	39	1,7	25,50	SXA141+LAC 40X	71A	6	2291
35,0	39	2,1	25,50	SXA141+LAC 50X	71A	6	3145
33,0	34	1,3	40,00	LAC 40X	63B	4	2298
33,0	35	2,3	40,00	LAC 50X	63B	4	3153
33,0	41	1,7	40,91	SXA141+LAC 40X	63B	4	2355
33,0	42	2,6	40,91	SXA141+LAC 50X	63B	4	3232
31,0	43	1,6	29,44	SXA141+LAC 40X	71A	6	2404
31,0	44	2,9	29,44	SXA141+LAC 50X	71A	6	3299
30,0	38	1,4	30,00	LAC 40X	71A	6	2419
30,0	40	2,4	30,00	LAC 50X	71A	6	3320
30,0	42	1,5	44,17	SXA141+LAC 40X	63B	4	2416
30,0	42	2,7	44,17	SXA141+LAC 50X	63B	4	3316
29,0	48	1,4	31,50	SXA141+LAC 40X	71A	6	2458
29,0	48	1,7	31,50	SXA141+LAC 50X	71A	6	3374
28,0	35	1,1	100,00	LAC 50X	63A	2	3397
28,0	47	1,4	47,50	SXA141+LAC 40X	63B	4	2475
28,0	48	2,7	47,50	SXA141+LAC 50X	63B	4	3397
27,0	41	1,0	50,00	LAC 40X	63B	4	2475
27,0	41	1,9	50,00	LAC 50X	63B	4	3397
25,0	53	1,4	35,63	SXA141+LAC 40X	71A	6	2561
25,0	53	2,1	35,63	SXA141+LAC 50X	71A	6	3515
24,0	53	1,3	54,55	SXA141+LAC 40X	63B	4	2592
24,0	54	2,4	54,55	SXA141+LAC 50X	63B	4	3557
23,0	48	1,0	40,00	LAC 40X	71A	6	2662
23,0	49	1,8	40,00	LAC 50X	71A	6	3654
23,0	50	3,4	40,00	LAC 63X	71A	6	4776
23,0	54	1,1	58,89	SXA141+LAC 40X	63B	4	2659
23,0	54	1,9	58,89	SXA141+LAC 50X	63B	4	3649
22,0	46	0,8	60,00	LAC 40X	63B	4	2630
22,0	47	1,5	60,00	LAC 50X	63B	4	3610
22,0	61	1,2	40,91	SXA141+LAC 40X	71A	6	2682
22,0	61	1,9	40,91	SXA141+LAC 50X	71A	6	3681
21,0	61	1,1	63,00	SXA141+LAC 40X	63B	4	2719
21,0	63	2,2	63,00	SXA141+LAC 50X	63B	4	3732
20,0	61	1,1	44,17	SXA141+LAC 40X	71A	6	2752
20,0	61	2,1	44,17	SXA141+LAC 50X	71A	6	3777
19,0	68	1,0	47,50	SXA141+LAC 40X	71A	6	2819
19,0	66	1,0	71,25	SXA141+LAC 40X	63B	4	2833

0,18 kW

n2 [rpm]	M2 [Nm]	fs	i	Gear reducer	Motor		Fr2 [N]
					Size	Pole	
19,0	70	2,0	47,50	SXA141+LAC 50X	71A	6	3869
19,0	66	1,9	71,25	SXA141+LAC 50X	63B	4	3889
18,0	57	1,4	50,00	LAC 50X	71A	6	3936
18,0	59	2,7	50,00	LAC 63X	71A	6	5145
17,0	56	1,2	80,00	LAC 50X	63B	4	3973
17,0	78	0,9	54,55	SXA141+LAC 40X	71A	6	2952
17,0	76	0,9	78,75	SXA141+LAC 40X	63B	4	2929
17,0	80	1,7	54,55	SXA141+LAC 50X	71A	6	4052
17,0	78	1,7	78,75	SXA141+LAC 50X	63B	4	4021
15,0	64	1,2	60,00	LAC 50X	71A	6	4183
15,0	68	2,3	60,00	LAC 63X	71A	6	5467
15,0	71	3,5	60,00	LAC 75X	71A	6	6453
15,0	77	0,8	58,89	SXA141+LAC 40X	71A	6	3028
15,0	70	0,9	88,33	SXA141+LAC 40X	63B	4	3044
15,0	77	1,5	58,89	SXA141+LAC 50X	71A	6	4157
15,0	72	1,6	88,33	SXA141+LAC 50X	63B	4	4177
14,0	90	0,8	63,00	SXA141+LAC 40X	71A	6	3097
14,0	87	0,8	94,50	SXA141+LAC 40X	63B	4	3113
14,0	92	1,5	63,00	SXA141+LAC 50X	71A	6	4251
14,0	87	1,5	94,50	SXA141+LAC 50X	63B	4	4272
13,3	78	0,9	100,00	LAC+LAC 30+40X	63B	4	2769
13,3	81	1,7	100,00	LAC+LAC 30+50X	63B	4	3800
13,3	81	1,9	100,00	LAC+LAC 30+63X	63B	4	4967
13,0	65	0,9	100,00	LAC 50X	63B	4	4280
13,0	96	0,7	71,25	SXA141+LAC 40X	71A	6	3227
13,0	90	0,7	102,00	SXA141+LAC 40X	63B	4	3193
13,0	96	1,4	71,25	SXA141+LAC 50X	71A	6	4429
13,0	90	1,3	102,00	SXA141+LAC 50X	63B	4	4383
12,0	96	1,2	109,09	SXA141+LAC 50X	63B	4	4482
11,0	76	0,9	80,00	LAC 50X	71A	6	4604
11,0	81	1,7	80,00	LAC 63X	71A	6	6018
11,0	86	2,6	80,00	LAC 75X	71A	6	7103
11,0	115	1,2	78,75	SXA141+LAC 50X	71A	6	4579
11,0	108	1,2	118,13	SXA141+LAC 50X	63B	4	4602
10,0	101	1,3	88,33	SXA141+LAC 50X	71A	6	4758
10,0	106	1,0	127,50	SXA141+LAC 50X	63B	4	4721
10,0	128	1,1	94,50	SXA141+LAC 50X	71A	6	4840
9,0	92	1,4	100,00	LAC 63X	71A	6	6270
9,0	97	2,0	100,00	LAC 75X	71A	6	7380
9,0	111	1,0	154,67	SXA141+LAC 50X	63B	4	4840
9,0	110	1,2	142,50	SXA141+LAC 50X	63B	4	4840
9,0	130	0,9	102,00	SXA141+LAC 50X	71A	6	4840

0,18 kW

n2 [rpm]	M2 [Nm]	fs	i	Gear reducer	Motor		Fr2 [N]
					Size	Pole	
8,9	112	1,2	150,00	LAC+LAC 30+50X	63B	4	4350
8,9	113	1,3	150,00	LAC+LAC 30+63X	63B	4	4967
8,9	119	3,6	150,00	LAC+LAC 40+75X	63B	4	6712
8,9	125	2,9	150,00	LAC+LAC 40+90X	63B	4	6487
8,0	160	0,8	118,13	SXA141+LAC 50X	71A	6	4840
8,0	139	0,9	109,09	SXA141+LAC 50X	71A	6	4840
8,0	125	1,1	163,64	SXA141+LAC 50X	63B	4	4840
7,0	154	0,7	127,50	SXA141+LAC 50X	71A	6	4840
7,0	142	0,8	204,00	SXA141+LAC 50X	63B	4	4840
7,0	143	1,0	189,00	SXA141+LAC 50X	63B	4	4840
6,7	141	0,9	200,00	LAC+LAC 30+50X	63B	4	4788
6,7	144	1,0	200,00	LAC+LAC 30+63X	63B	4	4967
6,7	150	2,8	200,00	LAC+LAC 40+75X	63B	4	7380
6,7	159	2,2	200,00	LAC+LAC 40+90X	63B	4	6487
6,0	178	0,8	236,25	SXA141+LAC 50X	63B	4	4840
6,0	157	0,8	154,67	SXA141+LAC 50X	71A	6	4840
6,0	158	0,9	142,50	SXA141+LAC 50X	71A	6	4840
6,0	182	0,8	163,64	SXA141+LAC 50X	71A	6	4840
5,3	167	1,0	250,00	LAC+LAC 30+63X	63B	4	4967
5,3	180	2,1	250,00	LAC+LAC 40+75X	63B	4	7380
5,3	188	3,0	250,00	LAC+LAC 40+90X	63B	4	8180
5,0	172	0,7	252,00	SXA141+LAC 50X	63B	4	4840
4,4	183	0,8	300,00	LAC+LAC 30+50X	63B	4	4840
4,4	175	1,5	300,00	LAC+LAC 30+63X	63B	4	6270
4,4	200	2,2	300,00	LAC+LAC 40+75X	63B	4	7380
4,4	210	3,3	300,00	LAC+LAC 40+90X	63B	4	8180
3,3	228	1,1	400,00	LAC+LAC 30+63X	63B	4	6270
3,3	246	1,7	400,00	LAC+LAC 40+75X	63B	4	7380
3,3	259	2,4	400,00	LAC+LAC 40+90X	63B	4	8180
2,7	265	0,9	500,00	LAC+LAC 30+63X	63B	4	6270
2,7	282	1,3	500,00	LAC+LAC 40+75X	63B	4	7380
2,7	303	1,9	500,00	LAC+LAC 40+90X	63B	4	8180
2,2	333	0,8	600,00	LAC+LAC 30+63X	63B	4	6270
2,2	372	1,2	600,00	LAC+LAC 40+75X	63B	4	7380
2,2	390	1,8	600,00	LAC+LAC 40+90X	63B	4	8180
1,8	448	1,0	750,00	LAC+LAC 40+75X	63B	4	7380
1,8	469	1,5	750,00	LAC+LAC 40+90X	63B	4	8180
1,5	502	0,9	900,00	LAC+LAC 40+75X	63B	4	7380
1,5	526	1,3	900,00	LAC+LAC 40+90X	63B	4	8180
1,1	622	0,7	1200,00	LAC+LAC 40+75X	63B	4	7380
1,1	652	1,1	1200,00	LAC+LAC 40+90X	63B	4	8180
1,1	671	1,0	1200,00	LAC+LAC 50+90X	63B	4	8180

0,18 kW

n2 [rpm]	M2 [Nm]	fs	i	Gear reducer	Size	Motor Pole	Fr2 [N]
0,9	777	0,9	1500,00	LAC+LAC 40+90X	63B	4	8180
0,9	790	0,9	1500,00	LAC+LAC 50+90X	63B	4	8180
0,7	874	0,8	1800,00	LAC+LAC 40+90X	63B	4	8180
0,7	888	0,8	1800,00	LAC+LAC 50+90X	63B	4	8180

0,22 kW

n2 [rpm]	M2 [Nm]	fs	i	Gear reducer	Size	Motor Pole	Fr2 [N]
266,0	7	2,8	5,00	LAC 30X	63C	4	597
177,0	10	1,9	7,50	LAC 30X	63C	4	683
133,0	13	1,4	10,00	LAC 30X	63C	4	752
133,0	13	3,3	10,00	LAC 40X	63C	4	1447
89,0	18	1,0	15,00	LAC 30X	63C	4	861
89,0	20	2,2	15,00	LAC 40X	63C	4	1657
67,0	23	0,8	20,00	LAC 30X	63C	4	948
67,0	25	1,7	20,00	LAC 40X	63C	4	1824
60,0	28	2,0	22,08	SXA141+LAC 40X	63C	4	1917
60,0	28	3,4	22,08	SXA141+LAC 50X	63C	4	2632
56,0	31	2,1	23,75	SXA141+LAC 40X	63C	4	1964
56,0	31	2,4	23,75	SXA141+LAC 50X	63C	4	2696
53,0	27	0,8	25,00	LAC 30X	63C	4	1021
53,0	30	1,3	25,00	LAC 40X	63C	4	1964
52,0	33	2,0	25,50	SXA141+LAC 40X	63C	4	2011
52,0	33	2,3	25,50	SXA141+LAC 50X	63C	4	2761
45,0	36	1,6	29,44	SXA141+LAC 40X	63C	4	2110
45,0	37	3,1	29,44	SXA141+LAC 50X	63C	4	2896
44,0	34	1,4	30,00	LAC 40X	63C	4	2087
42,0	40	1,7	31,50	SXA141+LAC 40X	63C	4	2158
42,0	40	1,9	31,50	SXA141+LAC 50X	63C	4	2962
37,0	44	1,5	35,63	SXA141+LAC 40X	63C	4	2249
37,0	45	2,4	35,63	SXA141+LAC 50X	63C	4	3086
33,0	42	1,1	40,00	LAC 40X	63C	4	2298
33,0	43	1,9	40,00	LAC 50X	63C	4	3153
33,0	51	1,4	40,91	SXA141+LAC 40X	63C	4	2355
33,0	51	2,1	40,91	SXA141+LAC 50X	63C	4	3232
30,0	51	1,2	44,17	SXA141+LAC 40X	63C	4	2416
30,0	52	2,2	44,17	SXA141+LAC 50X	63C	4	3316
28,0	57	1,2	47,50	SXA141+LAC 40X	63C	4	2475
28,0	58	2,2	47,50	SXA141+LAC 50X	63C	4	3397
27,0	50	0,8	50,00	LAC 40X	63C	4	2475
27,0	51	1,5	50,00	LAC 50X	63C	4	3397
24,0	65	1,1	54,55	SXA141+LAC 40X	63C	4	2592

0,22 kW

n2 [rpm]	M2 [Nm]	fs	i	Gear reducer	Motor		Fr2 [N]
					Size	Pole	
24,0	67	2,0	54,55	SXA141+LAC 50X	63C	4	3557
23,0	66	0,9	58,89	SXA141+LAC 40X	63C	4	2659
23,0	66	1,5	58,89	SXA141+LAC 50X	63C	4	3649
22,0	57	1,3	60,00	LAC 50X	63C	4	3610
21,0	75	0,9	63,00	SXA141+LAC 40X	63C	4	2719
21,0	76	1,8	63,00	SXA141+LAC 50X	63C	4	3732
19,0	81	0,8	71,25	SXA141+LAC 40X	63C	4	2833
19,0	81	1,6	71,25	SXA141+LAC 50X	63C	4	3889
17,0	68	1,0	80,00	LAC 50X	63C	4	3973
17,0	93	0,8	78,75	SXA141+LAC 40X	63C	4	2929
17,0	95	1,4	78,75	SXA141+LAC 50X	63C	4	4021
15,0	86	0,7	88,33	SXA141+LAC 40X	63C	4	3044
15,0	87	1,3	88,33	SXA141+LAC 50X	63C	4	4177
14,0	106	1,3	94,50	SXA141+LAC 50X	63C	4	4272
13,3	96	0,7	100,00	LAC+LAC 30+40X	63C	4	2769
13,3	98	1,4	100,00	LAC+LAC 30+50X	63C	4	3800
13,3	98	1,5	100,00	LAC+LAC 30+63X	63C	4	4967
13,3	102	3,4	100,00	LAC+LAC 40+75X	63C	4	5863
13,3	105	3,4	100,00	LAC+LAC 40+90X	63C	4	6487
13,0	110	1,0	102,00	SXA141+LAC 50X	63C	4	4383
12,0	117	1,0	109,09	SXA141+LAC 50X	63C	4	4482
11,0	132	1,0	118,13	SXA141+LAC 50X	63C	4	4602
10,0	129	0,8	127,50	SXA141+LAC 50X	63C	4	4721
9,0	136	0,8	154,67	SXA141+LAC 50X	63C	4	4840
9,0	134	1,0	142,50	SXA141+LAC 50X	63C	4	4840
8,9	136	1,0	150,00	LAC+LAC 30+50X	63C	4	4350
8,9	139	1,1	150,00	LAC+LAC 30+63X	63C	4	4967
8,9	145	2,9	150,00	LAC+LAC 40+75X	63C	4	6712
8,9	153	2,4	150,00	LAC+LAC 40+90X	63C	4	6487
8,0	153	0,9	163,64	SXA141+LAC 50X	63C	4	4840
7,0	175	0,8	189,00	SXA141+LAC 50X	63C	4	4840
6,7	175	0,8	200,00	LAC+LAC 30+63X	63C	4	4967
6,7	184	2,3	200,00	LAC+LAC 40+75X	63C	4	7380
6,7	194	1,8	200,00	LAC+LAC 40+90X	63C	4	6487
5,3	205	0,8	250,00	LAC+LAC 30+63X	63C	4	4967
5,3	220	1,7	250,00	LAC+LAC 40+75X	63C	4	7380
5,3	230	2,5	250,00	LAC+LAC 40+90X	63C	4	8180
4,4	214	1,2	300,00	LAC+LAC 30+63X	63C	4	6270
4,4	245	1,8	300,00	LAC+LAC 40+75X	63C	4	7380
4,4	256	2,7	300,00	LAC+LAC 40+90X	63C	4	8180
3,3	279	0,9	400,00	LAC+LAC 30+63X	63C	4	6270
3,3	301	1,4	400,00	LAC+LAC 40+75X	63C	4	7380

0,22 kW

n2 [rpm]	M2 [Nm]	fs	i	Gear reducer	Size	Motor Pole	Fr2 [N]
3,3	316	1,9	400,00	LAC+LAC 40+90X	63C	4	8180
2,7	324	0,7	500,00	LAC+LAC 30+63X	63C	4	6270
2,7	344	1,1	500,00	LAC+LAC 40+75X	63C	4	7380
2,7	370	1,5	500,00	LAC+LAC 40+90X	63C	4	8180
2,2	455	1,0	600,00	LAC+LAC 40+75X	63C	4	7380
2,2	477	1,5	600,00	LAC+LAC 40+90X	63C	4	8180
1,8	547	0,8	750,00	LAC+LAC 40+75X	63C	4	7380
1,8	573	1,2	750,00	LAC+LAC 40+90X	63C	4	8180
1,5	614	0,7	900,00	LAC+LAC 40+75X	63C	4	7380
1,5	643	1,1	900,00	LAC+LAC 40+90X	63C	4	8180
1,1	796	0,9	1200,00	LAC+LAC 40+90X	63C	4	8180
1,1	820	0,9	1200,00	LAC+LAC 50+90X	63C	4	8180
0,9	950	0,7	1500,00	LAC+LAC 40+90X	63C	4	8180
0,9	965	0,7	1500,00	LAC+LAC 50+90X	63C	4	8180

0,25 kW

n2 [rpm]	M2 [Nm]	fs	i	Gear reducer	Size	Motor Pole	Fr2 [N]
560,0	4	3,2	5,00	LAC 30X	63B	2	474
373,0	6	2,3	7,50	LAC 30X	63B	2	542
280,0	7	1,8	10,00	LAC 30X	63B	2	597
280,0	8	3,9	10,00	LAC 40X	63B	2	1149
264,0	8	2,4	5,00	LAC 30X	63D	4	597
187,0	10	1,2	15,00	LAC 30X	63B	2	683
187,0	11	2,9	15,00	LAC 40X	63B	2	1315
180,0	12	3,6	5,00	LAC 40X	71B	6	1331
176,0	12	1,6	7,50	LAC 30X	63D	4	683
176,0	12	3,6	7,50	LAC 40X	63D/71A	4	1315
140,0	13	0,9	20,00	LAC 30X	63B	2	752
140,0	14	2,0	20,00	LAC 40X	63B	2	1447
132,0	15	1,3	10,00	LAC 30X	63D	4	752
132,0	15	2,9	10,00	LAC 40X	63D/71A	4	1447
120,0	17	2,7	7,50	LAC 40X	71B	6	1524
112,0	16	1,0	25,00	LAC 30X	63B	2	810
112,0	17	1,6	25,00	LAC 40X	63B	2	1559
93,0	18	0,8	30,00	LAC 30X	63B	2	861
93,0	20	1,7	30,00	LAC 40X	63B	2	1657
93,0	21	3,8	15,00	LAC 50X	71A	4	2274
90,0	22	2,2	10,00	LAC 40X	71B	6	1677
88,0	21	0,9	15,00	LAC 30X	63D	4	861
88,0	23	2,0	15,00	LAC 40X	63D/71A	4	1657
70,0	25	1,2	40,00	LAC 40X	63B	2	1824

0,25 kW

n ₂ [rpm]	M ₂ [Nm]	f _s	i	Gear reducer	Motor		Fr ₂ [N]
					Size	Pole	
70,0	27	2,8	20,00	LAC 50X	71A	4	2503
70,0	25	2,3	40,00	LAC 50X	63B	2	2503
66,0	29	1,5	20,00	LAC 40X	63D/71A	4	1824
60,0	31	1,6	15,00	LAC 40X	71B	6	1920
60,0	32	2,9	15,00	LAC 50X	71B	6	2635
60,0	32	1,8	22,08	SXA141+LAC 40X	63D/71A	4	1922
60,0	32	3,0	22,08	SXA141+LAC 50X	63D/71A	4	2638
56,0	29	1,0	50,00	LAC 40X	63B	2	1964
56,0	33	2,1	25,00	LAC 50X	71A	4	2696
56,0	30	1,8	50,00	LAC 50X	63B	2	2696
56,0	35	1,8	23,75	SXA141+LAC 40X	63D/71A	4	1969
56,0	35	2,1	23,75	SXA141+LAC 50X	63D/71A	4	2703
53,0	31	0,7	25,00	LAC 30X	63D	4	1021
53,0	34	1,1	25,00	LAC 40X	63D/71A	4	1964
52,0	37	1,7	25,50	SXA141+LAC 40X	63D/71A	4	2017
52,0	37	2,0	25,50	SXA141+LAC 50X	63D/71A	4	2768
47,0	34	0,8	60,00	LAC 40X	63B	2	2087
47,0	34	1,5	60,00	LAC 50X	63B	2	2865
46,0	38	2,3	30,00	LAC 50X	71A	4	2865
45,0	40	1,2	20,00	LAC 40X	71B	6	2113
45,0	41	2,0	20,00	LAC 50X	71B	6	2900
45,0	42	1,4	29,44	SXA141+LAC 40X	63D/71A	4	2116
45,0	42	2,7	29,44	SXA141+LAC 50X	63D/71A	4	2904
44,0	39	1,2	30,00	LAC 40X	63D/71A	4	2087
42,0	46	1,5	31,50	SXA141+LAC 40X	63D/71A	4	2164
42,0	46	1,6	31,50	SXA141+LAC 50X	63D/71A	4	2970
41,0	46	1,4	22,08	SXA141+LAC 40X	71B	6	2184
41,0	47	2,3	22,08	SXA141+LAC 50X	71B	6	2997
38,0	51	1,3	23,75	SXA141+LAC 40X	71B	6	2237
38,0	51	1,5	23,75	SXA141+LAC 50X	71B	6	3071
37,0	51	1,3	35,63	SXA141+LAC 40X	63D/71A	4	2254
37,0	51	2,1	35,63	SXA141+LAC 50X	63D/71A	4	3094
36,0	48	0,9	25,00	LAC 40X	71B	6	2276
36,0	49	1,5	25,00	LAC 50X	71B	6	3124
35,0	42	1,1	80,00	LAC 50X	63B	2	3153
35,0	49	3,0	40,00	LAC 63X	71A	4	4122
35,0	54	1,2	25,50	SXA141+LAC 40X	71B	6	2291
35,0	54	1,5	25,50	SXA141+LAC 50X	71B	6	3145
33,0	48	0,9	40,00	LAC 40X	63D/71A	4	2298
33,0	49	1,7	40,00	LAC 50X	63D/71A	4	3153
32,0	58	1,2	40,91	SXA141+LAC 40X	63D/71A	4	2361
32,0	59	1,9	40,91	SXA141+LAC 50X	63D/71A	4	3240

0,25 kW

n2 [rpm]	M2 [Nm]	fs	i	Gear reducer	Motor		Fr2 [N]
					Size	Pole	
31,0	59	1,1	29,44	SXA141+LAC 40X	71B	6	2404
31,0	61	2,1	29,44	SXA141+LAC 50X	71B	6	3299
30,0	53	1,0	30,00	LAC 40X	71B	6	2419
30,0	55	1,7	30,00	LAC 50X	71B	6	3320
30,0	59	1,1	44,17	SXA141+LAC 40X	63D/71A	4	2422
30,0	59	1,9	44,17	SXA141+LAC 50X	63D/71A	4	3324
29,0	67	1,0	31,50	SXA141+LAC 40X	71B	6	2458
29,0	67	1,2	31,50	SXA141+LAC 50X	71B	6	3374
28,0	49	0,8	100,00	LAC 50X	63B	2	3397
28,0	58	2,5	50,00	LAC 63X	71A	4	4440
28,0	60	3,7	50,00	LAC 75X	71A	4	5241
28,0	65	1,0	47,50	SXA141+LAC 40X	63D/71A	4	2481
28,0	67	1,9	47,50	SXA141+LAC 50X	63D/71A	4	3406
26,0	57	0,7	50,00	LAC 40X	63D	4	2475
26,0	58	1,3	50,00	LAC 50X	63D/71A	4	3397
25,0	73	1,0	35,63	SXA141+LAC 40X	71B	6	2561
25,0	74	1,5	35,63	SXA141+LAC 50X	71B	6	3515
24,0	74	0,9	54,55	SXA141+LAC 40X	63D/71A	4	2598
24,0	76	1,7	54,55	SXA141+LAC 50X	63D/71A	4	3566
23,0	67	0,7	40,00	LAC 40X	71B	6	2662
23,0	68	1,3	40,00	LAC 50X	71B	6	3654
23,0	70	2,4	40,00	LAC 63X	71B	6	4776
23,0	65	2,1	60,00	LAC 63X	71A	4	4719
23,0	68	3,1	60,00	LAC 75X	71A	4	5569
22,0	65	1,1	60,00	LAC 50X	63D/71A	4	3610
22,0	75	0,8	58,89	SXA141+LAC 40X	63D/71A	4	2665
22,0	84	0,9	40,91	SXA141+LAC 40X	71B	6	2682
22,0	76	1,3	58,89	SXA141+LAC 50X	63D/71A	4	3658
22,0	85	1,4	40,91	SXA141+LAC 50X	71B	6	3681
21,0	85	0,8	63,00	SXA141+LAC 40X	63D/71A	4	2726
21,0	88	1,5	63,00	SXA141+LAC 50X	63D/71A	4	3742
20,0	84	0,8	44,17	SXA141+LAC 40X	71B	6	2752
20,0	85	1,5	44,17	SXA141+LAC 50X	71B	6	3777
19,0	94	0,8	47,50	SXA141+LAC 40X	71B	6	2819
19,0	92	0,7	71,25	SXA141+LAC 40X	63D/71A	4	2840
19,0	97	1,4	47,50	SXA141+LAC 50X	71B	6	3869
19,0	93	1,4	71,25	SXA141+LAC 50X	63D/71A	4	3898
18,0	80	1,0	50,00	LAC 50X	71B	6	3936
18,0	82	2,0	50,00	LAC 63X	71B	6	5145
18,0	85	3,0	50,00	LAC 75X	71B	6	6073
18,0	101	0,7	78,75	SXA141+LAC 40X	71A	4	2886
17,0	78	0,8	80,00	LAC 50X	63D/71A	4	3973

0,25 kW

n2 [rpm]	M2 [Nm]	fs	i	Gear reducer	Motor		Fr2 [N]
					Size	Pole	
17,0	80	1,5	80,00	LAC 63X	71A	4	5193
17,0	84	2,3	80,00	LAC 75X	71A	4	6130
17,0	111	1,2	54,55	SXA141+LAC 50X	71B	6	4052
17,0	109	1,2	78,75	SXA141+LAC 50X	63D/71A	4	4031
15,0	89	0,9	60,00	LAC 50X	71B	6	4183
15,0	94	1,6	60,00	LAC 63X	71B	6	5467
15,0	99	2,5	60,00	LAC 75X	71B	6	6453
15,0	107	1,1	58,89	SXA141+LAC 50X	71B	6	4157
15,0	100	1,2	88,33	SXA141+LAC 50X	63D/71A	4	4188
14,0	89	1,3	100,00	LAC 63X	71A	4	5595
14,0	96	1,9	100,00	LAC 75X	71A	4	6603
14,0	128	1,1	63,00	SXA141+LAC 50X	71B	6	4251
14,0	122	1,1	94,50	SXA141+LAC 50X	63D/71A	4	4283
13,2	112	1,2	100,00	LAC+LAC 30+50X	63D	4	3800
13,2	112	1,3	100,00	LAC+LAC 30+63X	63D	4	4967
13,2	116	3,0	100,00	LAC+LAC 40+75X	63D/71A	4	5863
13,2	119	3,0	100,00	LAC+LAC 40+90X	63D/71A	4	6487
13,0	134	1,0	71,25	SXA141+LAC 50X	71B	6	4429
13,0	126	0,9	102,00	SXA141+LAC 50X	63D/71A	4	4394
12,0	134	0,9	109,09	SXA141+LAC 50X	63D/71A	4	4493
11,0	112	1,2	80,00	LAC 63X	71B	6	6018
11,0	119	1,9	80,00	LAC 75X	71B	6	7103
11,0	160	0,9	78,75	SXA141+LAC 50X	71B	6	4579
11,0	151	0,9	118,13	SXA141+LAC 50X	63D/71A	4	4614
10,0	140	1,0	88,33	SXA141+LAC 50X	71B	6	4758
10,0	148	0,7	127,50	SXA141+LAC 50X	63D/71A	4	4733
10,0	178	0,8	94,50	SXA141+LAC 50X	71B	6	4840
9,3	174	3,8	150,00	LAC+LAC 50+90X	71A	4	7426
9,0	127	1,0	100,00	LAC 63X	71B	6	6270
9,0	135	1,4	100,00	LAC 75X	71B	6	7380
9,0	155	0,7	154,67	SXA141+LAC 50X	63D/71A	4	4840
9,0	154	0,9	142,50	SXA141+LAC 50X	63D/71A	4	4840
8,8	155	0,9	150,00	LAC+LAC 30+50X	63D	4	4350
8,8	158	1,0	150,00	LAC+LAC 30+63X	63D	4	4967
8,8	165	2,6	150,00	LAC+LAC 40+75X	63D/71A	4	6712
8,8	174	2,1	150,00	LAC+LAC 40+90X	63D/71A	4	6487
8,0	175	0,8	163,64	SXA141+LAC 50X	63D/71A	4	4840
7,0	200	0,7	189,00	SXA141+LAC 50X	63D/71A	4	4840
7,0	223	2,7	200,00	LAC+LAC 50+90X	71A	4	8174
6,6	199	0,7	200,00	LAC+LAC 30+63X	63D	4	4967
6,6	209	2,0	200,00	LAC+LAC 40+75X	63D/71A	4	7380
6,6	221	1,6	200,00	LAC+LAC 40+90X	63D/71A	4	6487

0,25 kW

n2 [rpm]	M2 [Nm]	fs	i	Gear reducer	Motor		Fr2 [N]
					Size	Pole	
5,6	267	2,1	250,00	LAC+LAC 50+90X	71A	4	8180
5,3	232	0,7	250,00	LAC+LAC 30+63X	63D	4	4967
5,3	250	1,5	250,00	LAC+LAC 40+75X	63D/71A	4	7380
5,3	261	2,2	250,00	LAC+LAC 40+90X	63D/71A	4	8180
4,6	298	2,3	300,00	LAC+LAC 50+90X	71A	4	8180
4,4	244	1,0	300,00	LAC+LAC 30+63X	63D	4	6270
4,4	278	1,6	300,00	LAC+LAC 40+75X	63D/71A	4	7380
4,4	291	2,4	300,00	LAC+LAC 40+90X	63D/71A	4	8180
3,5	368	1,7	400,00	LAC+LAC 50+90X	71A	4	8180
3,3	317	0,8	400,00	LAC+LAC 30+63X	63D	4	6270
3,3	342	1,2	400,00	LAC+LAC 40+75X	63D/71A	4	7380
3,3	359	1,7	400,00	LAC+LAC 40+90X	63D/71A	4	8180
2,8	491	1,2	500,00	LAC+LAC 50+90X	71A	4	8180
2,6	391	0,9	500,00	LAC+LAC 40+75X	63D/71A	4	7380
2,6	420	1,3	500,00	LAC+LAC 40+90X	63D/71A	4	8180
2,3	548	1,3	600,00	LAC+LAC 50+90X	71A	4	8180
2,2	517	0,9	600,00	LAC+LAC 40+75X	63D/71A	4	7380
2,2	542	1,3	600,00	LAC+LAC 40+90X	63D/71A	4	8180
1,9	660	1,1	750,00	LAC+LAC 50+90X	71A	4	8180
1,8	622	0,7	750,00	LAC+LAC 40+75X	63D/71A	4	7380
1,8	651	1,1	750,00	LAC+LAC 40+90X	63D/71A	4	8180
1,5	751	0,9	900,00	LAC+LAC 50+90X	71A	4	8180
1,5	730	1,0	900,00	LAC+LAC 40+90X	63D/71A	4	8180
1,1	905	0,8	1200,00	LAC+LAC 40+90X	63D/71A	4	8180
1,1	932	0,8	1200,00	LAC+LAC 50+90X	63D/71A	4	8180

0,37 kW

n2 [rpm]	M2 [Nm]	fs	i	Gear reducer	Motor		Fr2 [N]
					Size	Pole	
558,0	6	2,1	5,00	LAC 30X	63C	2	474
372,0	8	1,6	7,50	LAC 30X	63C	2	542
372,0	8	3,3	7,50	LAC 40X	63C/71A	2	1044
279,0	11	1,2	10,00	LAC 30X	63C	2	597
279,0	11	2,6	10,00	LAC 40X	63C/71A	2	1149
276,0	11	3,2	5,00	LAC 40X	71B	4	1149
188,0	16	3,5	15,00	LAC 50X	71A	2	1805
186,0	16	0,8	15,00	LAC 30X	63C	2	683
186,0	16	1,9	15,00	LAC 40X	63C/71A	2	1315
184,0	17	2,5	7,50	LAC 40X	71B	4	1315
176,0	17	2,4	5,00	LAC 40X	71C	6	1331
141,0	21	2,5	20,00	LAC 50X	71A	2	1987
140,0	21	1,4	20,00	LAC 40X	63C/71A	2	1447

0,37 kW

n ₂ [rpm]	M ₂ [Nm]	f _s	i	Gear reducer	Motor		Fr ₂ [N]
					Size	Pole	
138,0	22	2,0	10,00	LAC 40X	71B	4	1447
138,0	22	3,5	10,00	LAC 50X	71B	4	1987
117,0	26	1,8	7,50	LAC 40X	71C	6	1524
117,0	26	3,5	7,50	LAC 50X	71C/80A	6	2091
113,0	25	2,0	25,00	LAC 50X	71A	2	2140
112,0	25	1,1	25,00	LAC 40X	63C/71A	2	1559
94,0	29	2,2	30,00	LAC 50X	71A	2	2274
93,0	29	1,2	30,00	LAC 40X	63C/71A	2	1657
92,0	32	1,4	15,00	LAC 40X	71B	4	1657
92,0	32	2,5	15,00	LAC 50X	71B	4	2274
88,0	33	1,4	10,00	LAC 40X	71C	6	1677
88,0	34	2,7	10,00	LAC 50X	71C/80A	6	2302
71,0	38	3,0	40,00	LAC 63X	71A	2	3272
70,0	37	0,8	40,00	LAC 40X	63C/71A	2	1824
70,0	37	1,6	40,00	LAC 50X	63C/71A	2	2503
69,0	40	1,1	20,00	LAC 40X	71B	4	1824
69,0	41	1,9	20,00	LAC 50X	71B	4	2503
63,0	46	3,7	15,00	LAC 63X	80A	6	3444
62,0	45	1,3	22,08	SXA141+LAC 40X	71B	4	1894
62,0	46	2,1	22,08	SXA141+LAC 50X	71B	4	2599
59,0	48	1,1	15,00	LAC 40X	71C	6	1920
59,0	48	1,9	15,00	LAC 50X	71C/80A	6	2635
58,0	50	1,3	23,75	SXA141+LAC 40X	71B	4	1940
58,0	50	1,5	23,75	SXA141+LAC 50X	71B	4	2663
56,0	44	1,2	50,00	LAC 50X	63C/71A	2	2696
56,0	45	2,3	50,00	LAC 63X	71A	2	3524
56,0	47	3,5	50,00	LAC 75X	71A	2	4160
55,0	49	0,8	25,00	LAC 40X	71B	4	1964
55,0	49	1,4	25,00	LAC 50X	71B	4	2696
54,0	53	1,2	25,50	SXA141+LAC 40X	71B	4	1987
54,0	53	1,4	25,50	SXA141+LAC 50X	71B	4	2727
47,0	51	1,0	60,00	LAC 50X	63C/71A	2	2865
47,0	59	2,8	20,00	LAC 63X	80A	6	3791
47,0	52	1,9	60,00	LAC 63X	71A	2	3745
47,0	54	2,9	60,00	LAC 75X	71A	2	4421
47,0	59	1,0	29,44	SXA141+LAC 40X	71B	4	2084
47,0	60	1,9	29,44	SXA141+LAC 50X	71B	4	2861
46,0	55	0,9	30,00	LAC 40X	71B	4	2087
46,0	56	1,6	30,00	LAC 50X	71B	4	2865
44,0	61	0,8	20,00	LAC 40X	71C	6	2113
44,0	62	1,3	20,00	LAC 50X	71C/80A	6	2900
44,0	65	1,0	31,50	SXA141+LAC 40X	71B	4	2132

0,37 kW

n2 [rpm]	M2 [Nm]	fs	i	Gear reducer	Motor		Fr2 [N]
					Size	Pole	
44,0	65	1,1	31,50	SXA141+LAC 50X	71B	4	2926
40,0	70	1,0	22,08	SXA141+LAC 40X	71C/80A	6	2200
40,0	71	1,5	22,08	SXA141+LAC 50X	71C/80A	6	3020
39,0	72	0,9	35,63	SXA141+LAC 40X	71B	4	2221
39,0	73	1,5	35,63	SXA141+LAC 50X	71B	4	3049
38,0	71	2,1	25,00	LAC 63X	80A	6	4084
38,0	73	3,3	25,00	LAC 75X	80A	6	4820
37,0	77	0,9	23,75	SXA141+LAC 40X	71C/80A	6	2254
37,0	77	1,0	23,75	SXA141+LAC 50X	71C/80A	6	3094
35,0	74	1,0	25,00	LAC 50X	71C/80A	6	3124
35,0	70	1,2	40,00	LAC 50X	71B	4	3153
35,0	63	0,7	80,00	LAC 50X	63C/71A	2	3153
35,0	73	2,0	40,00	LAC 63X	71B	4	4122
35,0	64	1,4	80,00	LAC 63X	71A	2	4122
35,0	67	2,1	80,00	LAC 75X	71A	2	4865
35,0	82	0,8	25,50	SXA141+LAC 40X	71C	6	2308
35,0	82	1,0	25,50	SXA141+LAC 50X	71C	6	3168
34,0	82	0,8	40,91	SXA141+LAC 40X	71B	4	2326
34,0	83	1,3	40,91	SXA141+LAC 50X	71B	4	3192
31,0	80	2,2	30,00	LAC 63X	80A	6	4339
31,0	83	3,4	30,00	LAC 75X	80A	6	5122
31,0	83	0,7	44,17	SXA141+LAC 40X	71B	4	2386
31,0	84	1,4	44,17	SXA141+LAC 50X	71B	4	3275
30,0	90	0,7	29,44	SXA141+LAC 40X	71C/80A	6	2422
30,0	92	1,4	29,44	SXA141+LAC 50X	71C/80A	6	3324
29,0	83	1,1	30,00	LAC 50X	71C/80A	6	3320
29,0	92	0,7	47,50	SXA141+LAC 40X	71B	4	2445
29,0	94	1,4	47,50	SXA141+LAC 50X	71B	4	3355
28,0	82	0,9	50,00	LAC 50X	71B	4	3397
28,0	86	1,7	50,00	LAC 63X	71B	4	4440
28,0	74	1,1	100,00	LAC 63X	71A	2	4440
28,0	90	2,5	50,00	LAC 75X	71B	4	5241
28,0	78	1,7	100,00	LAC 75X	71A	2	5241
28,0	102	0,8	31,50	SXA141+LAC 50X	71C	6	3400
25,0	112	1,0	35,63	SXA141+LAC 50X	71C/80A	6	3542
25,0	108	1,2	54,55	SXA141+LAC 50X	71B	4	3514
24,0	104	2,7	40,00	LAC 75X	80A	6	5637
23,0	92	0,8	60,00	LAC 50X	71B	4	3610
23,0	97	1,4	60,00	LAC 63X	71B	4	4719
23,0	101	2,1	60,00	LAC 75X	71B	4	5569
23,0	108	0,9	58,89	SXA141+LAC 50X	71B	4	3605
22,0	103	0,9	40,00	LAC 50X	71C	6	3654

0,37 kW

n2 [rpm]	M2 [Nm]	fs	i	Gear reducer	Motor		Fr2 [N]
					Size	Pole	
22,0	106	1,6	40,00	LAC 63X	71C/80A	6	4776
22,0	129	0,9	40,91	SXA141+LAC 50X	71C	6	3709
22,0	124	1,1	63,00	SXA141+LAC 50X	71B	4	3687
20,0	128	1,0	44,17	SXA141+LAC 50X	71C/80A	6	3805
19,0	130	3,3	50,00	LAC 90X	80A	6	6719
19,0	146	0,9	47,50	SXA141+LAC 50X	71C/80A	6	3898
19,0	131	1,0	71,25	SXA141+LAC 50X	71B	4	3841
18,0	124	1,3	50,00	LAC 63X	71C/80A	6	5145
18,0	128	2,0	50,00	LAC 75X	71C/80A	6	6073
18,0	155	0,9	78,75	SXA141+LAC 50X	71B	4	3971
17,0	119	1,0	80,00	LAC 63X	71B	4	5193
17,0	125	1,6	80,00	LAC 75X	71B	4	6130
16,0	147	2,6	60,00	LAC 90X	80A	6	7140
16,0	152	0,7	58,89	SXA141+LAC 50X	80A	6	4097
16,0	142	0,8	88,33	SXA141+LAC 50X	71B	4	4126
16,0	168	0,8	54,55	SXA141+LAC 50X	71C	6	4082
15,0	142	1,1	60,00	LAC 63X	71C/80A	6	5467
15,0	149	1,7	60,00	LAC 75X	71C/80A	6	6453
15,0	172	0,8	94,50	SXA141+LAC 50X	71B	4	4220
14,0	133	0,9	100,00	LAC 63X	71B	4	5595
14,0	143	1,3	100,00	LAC 75X	71B	4	6603
14,0	194	0,7	63,00	SXA141+LAC 50X	71C	6	4283
13,8	172	2,1	100,00	LAC+LAC 40+75X	71B	4	5863
13,8	176	2,1	100,00	LAC+LAC 40+90X	71B	4	6487
13,8	180	3,3	100,00	LAC+LAC 50+90X	71B	4	6487
13,0	190	0,7	71,25	SXA141+LAC 50X	80A	6	4365
12,0	180	1,7	80,00	LAC 90X	80A	6	7859
11,0	170	0,8	80,00	LAC 63X	71C	6	6018
11,0	180	1,2	80,00	LAC 75X	71C/80A	6	7103
9,2	245	1,7	150,00	LAC+LAC 40+75X	71B	4	6712
9,2	258	1,4	150,00	LAC+LAC 40+90X	71B	4	6487
9,2	257	2,6	150,00	LAC+LAC 50+90X	71B	4	7426
9,0	205	1,0	100,00	LAC 75X	71C/80A	6	7380
9,0	207	1,4	100,00	LAC 90X	80A	6	8180
6,9	309	1,4	200,00	LAC+LAC 40+75X	71B	4	7380
6,9	327	1,1	200,00	LAC+LAC 40+90X	71B	4	6487
6,9	329	1,9	200,00	LAC+LAC 50+90X	71B	4	8174
5,5	370	1,0	250,00	LAC+LAC 40+75X	71B	4	7380
5,5	386	1,5	250,00	LAC+LAC 40+90X	71B	4	8180
5,5	395	1,4	250,00	LAC+LAC 50+90X	71B	4	8180
4,6	412	1,1	300,00	LAC+LAC 40+75X	71B	4	7380
4,6	431	1,6	300,00	LAC+LAC 40+90X	71B	4	8180

0,37 kW

n2 [rpm]	M2 [Nm]	fs	i	Gear reducer	Motor		Fr2 [N]
					Size	Pole	
4,6	441	1,6	300,00	LAC+LAC 50+90X	71B	4	8180
3,5	506	0,8	400,00	LAC+LAC 40+75X	71B	4	7380
3,5	532	1,1	400,00	LAC+LAC 40+90X	71B	4	8180
3,5	545	1,1	400,00	LAC+LAC 50+90X	71B	4	8180
2,8	622	0,9	500,00	LAC+LAC 40+90X	71B	4	8180
2,8	727	0,8	500,00	LAC+LAC 50+90X	71B	4	8180
2,3	802	0,9	600,00	LAC+LAC 40+90X	71B	4	8180
2,3	812	0,9	600,00	LAC+LAC 50+90X	71B	4	8180
1,8	964	0,7	750,00	LAC+LAC 40+90X	71B	4	8180
1,8	977	0,7	750,00	LAC+LAC 50+90X	71B	4	8180

0,55 kW

n2 [rpm]	M2 [Nm]	fs	i	Gear reducer	Motor		Fr2 [N]
					Size	Pole	
562,0	8	2,9	5,00	LAC 40X	71B	2	912
375,0	12	2,2	7,50	LAC 40X	71B	2	1044
281,0	16	1,8	10,00	LAC 40X	71B	2	1149
281,0	17	3,2	10,00	LAC 50X	71B	2	1577
274,0	17	2,1	5,00	LAC 40X	71C	4	1149
274,0	17	4,0	5,00	LAC 50X	71C	4	1577
187,0	24	1,3	15,00	LAC 40X	71B	2	1315
187,0	24	2,4	15,00	LAC 50X	71B	2	1805
186,0	25	3,3	5,00	LAC 50X	80B	6	1827
183,0	25	1,7	7,50	LAC 40X	71C	4	1315
183,0	25	3,0	7,50	LAC 50X	71C/80A	4	1805
141,0	31	0,9	20,00	LAC 40X	71B	2	1447
141,0	31	1,7	20,00	LAC 50X	71B	2	1987
137,0	33	1,4	10,00	LAC 40X	71C	4	1447
137,0	33	2,4	10,00	LAC 50X	71C/80A	4	1987
124,0	36	2,5	7,50	LAC 50X	80B	6	2091
112,0	37	0,7	25,00	LAC 40X	71B	2	1559
112,0	38	1,3	25,00	LAC 50X	71B	2	2140
94,0	43	0,8	30,00	LAC 40X	71B	2	1657
94,0	43	1,5	30,00	LAC 50X	71B	2	2274
93,0	48	1,9	10,00	LAC 50X	80B	6	2302
93,0	48	3,2	10,00	LAC 63X	80B	6	3009
93,0	47	3,2	15,00	LAC 63X	80A	4	2973
91,0	48	0,9	15,00	LAC 40X	71C	4	1657
91,0	48	1,7	15,00	LAC 50X	71C/80A	4	2274
70,0	55	1,1	40,00	LAC 50X	71B	2	2503
70,0	62	2,4	20,00	LAC 63X	80A	4	3272
70,0	57	2,0	40,00	LAC 63X	71B	2	3272

0,55 kW

n2 [rpm]	M2 [Nm]	fs	i	Gear reducer	Motor		Fr2 [N]
					Size	Pole	
70,0	62	3,8	20,00	LAC 75X	80A	4	3862
69,0	61	0,7	20,00	LAC 40X	71C	4	1824
69,0	61	1,3	20,00	LAC 50X	71C/80A	4	2503
62,0	68	1,4	15,00	LAC 50X	80B	6	2635
62,0	69	2,5	15,00	LAC 63X	80B	6	3444
62,0	68	0,8	22,08	SXA141+LAC 40X	71C/80A	4	1898
62,0	69	1,4	22,08	SXA141+LAC 50X	71C/80A	4	2606
58,0	74	0,8	23,75	SXA141+LAC 40X	71C/80A	4	1945
58,0	74	1,0	23,75	SXA141+LAC 50X	71C/80A	4	2670
56,0	65	0,8	50,00	LAC 50X	71B	2	2696
56,0	74	1,8	25,00	LAC 63X	80A	4	3524
56,0	67	1,6	50,00	LAC 63X	71B	2	3524
56,0	76	2,8	25,00	LAC 75X	80A	4	4160
56,0	70	2,4	50,00	LAC 75X	71B	2	4160
55,0	74	1,0	25,00	LAC 50X	71C/80A	4	2696
54,0	79	0,8	25,50	SXA141+LAC 40X	71C	4	1992
54,0	79	0,9	25,50	SXA141+LAC 50X	71C	4	2734
47,0	87	1,0	20,00	LAC 50X	80B	6	2900
47,0	88	1,9	20,00	LAC 63X	80B	6	3791
47,0	84	1,9	30,00	LAC 63X	80A	4	3745
47,0	77	1,3	60,00	LAC 63X	71B	2	3745
47,0	90	3,0	20,00	LAC 75X	80B	6	4474
47,0	87	2,9	30,00	LAC 75X	80A	4	4421
47,0	81	2,0	60,00	LAC 75X	71B	2	4421
47,0	90	1,3	29,44	SXA141+LAC 50X	71C/80A	4	2868
46,0	84	1,0	30,00	LAC 50X	71C/80A	4	2865
43,0	97	0,8	31,50	SXA141+LAC 50X	71C	4	2933
42,0	99	1,1	22,08	SXA141+LAC 50X	80B	6	2965
39,0	108	0,7	23,75	SXA141+LAC 50X	80B	6	3038
38,0	109	1,0	35,63	SXA141+LAC 50X	71C/80A	4	3056
37,0	104	0,7	25,00	LAC 50X	80B	6	3124
37,0	107	1,4	25,00	LAC 63X	80B	6	4084
37,0	110	2,2	25,00	LAC 75X	80B	6	4820
35,0	96	0,9	80,00	LAC 63X	71B	2	4122
35,0	110	2,2	40,00	LAC 75X	80A	4	4865
35,0	100	1,4	80,00	LAC 75X	71B	2	4865
35,0	114	3,5	40,00	LAC 90X	80A	4	5383
34,0	104	0,8	40,00	LAC 50X	71C	4	3153
34,0	109	1,4	40,00	LAC 63X	71C/80A	4	4122
33,0	124	0,9	40,91	SXA141+LAC 50X	71C	4	3200
32,0	129	1,0	29,44	SXA141+LAC 50X	80B	6	3263
31,0	117	0,8	30,00	LAC 50X	80B	6	3320

0,55 kW

n2 [rpm]	M2 [Nm]	fs	i	Gear reducer	Motor		Fr2 [N]
					Size	Pole	
31,0	120	1,5	30,00	LAC 63X	80B	6	4339
31,0	125	2,3	30,00	LAC 75X	80B	6	5122
31,0	126	0,9	44,17	SXA141+LAC 50X	71C/80A	4	3283
29,0	141	0,9	47,50	SXA141+LAC 50X	71C/80A	4	3364
28,0	110	0,7	100,00	LAC 63X	71B	2	4440
28,0	116	1,1	100,00	LAC 75X	71B	2	5241
28,0	137	2,7	50,00	LAC 90X	80A	4	5799
27,0	128	1,1	50,00	LAC 63X	71C/80A	4	4440
27,0	134	1,7	50,00	LAC 75X	71C/80A	4	5241
26,0	158	0,7	35,63	SXA141+LAC 50X	80B	6	3477
25,0	161	0,8	54,55	SXA141+LAC 50X	71C	4	3522
23,0	149	1,1	40,00	LAC 63X	80B	6	4776
23,0	145	0,9	60,00	LAC 63X	71C/80A	4	4719
23,0	156	1,8	40,00	LAC 75X	80B	6	5637
23,0	152	1,4	60,00	LAC 75X	71C/80A	4	5569
23,0	163	2,8	40,00	LAC 90X	80B	6	6238
23,0	158	2,2	60,00	LAC 90X	80A	4	6163
22,0	186	0,7	63,00	SXA141+LAC 50X	71C	4	3696
21,0	180	0,7	44,17	SXA141+LAC 50X	80B	6	3736
19,0	175	0,9	50,00	LAC 63X	80B	6	5145
19,0	181	1,4	50,00	LAC 75X	80B	6	6073
19,0	195	2,2	50,00	LAC 90X	80B	6	6719
18,0	192	1,5	80,00	LAC 90X	80A	4	6783
17,0	187	1,0	80,00	LAC 75X	71C/80A	4	6130
16,0	200	0,8	60,00	LAC 63X	80B	6	5467
16,0	210	1,2	60,00	LAC 75X	80B	6	6453
16,0	220	1,7	60,00	LAC 90X	80B	6	7140
14,0	215	0,8	100,00	LAC 75X	71C/80A	4	6603
14,0	225	1,2	100,00	LAC 90X	80A	4	7306
13,7	255	1,4	100,00	LAC+LAC 40+75X	71C	4	5863
13,7	261	1,4	100,00	LAC+LAC 40+90X	71C	4	6487
13,7	268	2,2	100,00	LAC+LAC 50+90X	71C/80A	4	6487
12,0	253	0,9	80,00	LAC 75X	80B	6	7103
12,0	271	1,2	80,00	LAC 90X	80B	6	7859
9,1	364	1,2	150,00	LAC+LAC 40+75X	71C	4	6712
9,1	383	0,9	150,00	LAC+LAC 40+90X	71C	4	6487
9,1	382	1,7	150,00	LAC+LAC 50+90X	71C/80A	4	7426
9,0	311	0,9	100,00	LAC 90X	80B	6	8180
6,8	459	0,9	200,00	LAC+LAC 40+75X	71C	4	7380
6,8	486	0,7	200,00	LAC+LAC 40+90X	71C	4	6487
6,8	490	1,2	200,00	LAC+LAC 50+90X	71C/80A	4	8174
5,5	574	1,0	250,00	LAC+LAC 40+90X	71C	4	8180

0,55 kW

n2 [rpm]	M2 [Nm]	fs	i	Gear reducer	Motor		Fr2 [N]
					Size	Pole	
5,5	588	1,0	250,00	LAC+LAC 50+90X	71C/80A	4	8180
4,6	612	0,7	300,00	LAC+LAC 40+75X	71C	4	7380
4,6	641	1,1	300,00	LAC+LAC 40+90X	71C	4	8180
4,6	656	1,1	300,00	LAC+LAC 50+90X	71C/80A	4	8180
3,4	791	0,8	400,00	LAC+LAC 40+90X	71C	4	8180
3,4	809	0,8	400,00	LAC+LAC 50+90X	71C/80A	4	8180

0,75 kW

n2 [rpm]	M2 [Nm]	fs	i	Gear reducer	Motor		Fr2 [N]
					Size	Pole	
560,0	12	2,1	5,00	LAC 40X	71C ⁽¹⁾	2	912
560,0	12	3,9	5,00	LAC 50X	71C/80A	2	1251
373,0	17	1,6	7,50	LAC 40X	71C ⁽¹⁾	2	1044
373,0	17	3,0	7,50	LAC 50X	71C/80A	2	1433
280,0	23	1,3	10,00	LAC 40X	71C ⁽¹⁾	2	1149
280,0	23	3,0	5,00	LAC 50X	80B	4	1577
280,0	23	2,4	10,00	LAC 50X	71C/80A	2	1577
189,0	33	3,3	15,00	LAC 63X	80A	2	2359
187,0	33	1,0	15,00	LAC 40X	71C ⁽¹⁾	2	1315
187,0	34	2,3	7,50	LAC 50X	80B	4	1805
187,0	33	1,7	15,00	LAC 50X	71C/80A	2	1805
187,0	34	3,7	7,50	LAC 63X	80B	4	2359
184,0	34	2,4	5,00	LAC 50X	80C	6	1827
142,0	43	2,4	20,00	LAC 63X	80A	2	2597
141,0	44	3,9	20,00	LAC 75X	80A	2	3065
140,0	45	1,8	10,00	LAC 50X	80B	4	1987
140,0	42	1,2	20,00	LAC 50X	71C/80A	2	1987
140,0	45	3,0	10,00	LAC 63X	80B	4	2597
123,0	50	1,8	7,50	LAC 50X	80C	6	2091
123,0	51	2,9	7,50	LAC 63X	80C/90S	6	2734
112,0	52	1,0	25,00	LAC 50X	71C/80A	2	2140
112,0	53	1,8	25,00	LAC 63X	80A	2	2797
112,0	54	3,0	25,00	LAC 75X	80A	2	3302
95,0	60	2,0	30,00	LAC 63X	80A	2	2973
94,0	62	3,0	30,00	LAC 75X	80A	2	3509
93,0	64	1,3	15,00	LAC 50X	80B	4	2274
93,0	59	1,1	30,00	LAC 50X	71C/80A	2	2274
93,0	64	2,3	15,00	LAC 63X	80B	4	2973
92,0	66	1,4	10,00	LAC 50X	80C	6	2302
92,0	66	2,3	10,00	LAC 63X	80C/90S	6	3009
92,0	67	3,4	10,00	LAC 75X	90S	6	3551
70,0	82	1,0	20,00	LAC 50X	80B	4	2503

⁽¹⁾ Available only with brake motor (TBS)

0,75 kW

n ₂ [rpm]	M ₂ [Nm]	f _s	i	Gear reducer	Motor		Fr ₂ [N]
					Size	Pole	
70,0	76	0,8	40,00	LAC 50X	71C ⁽¹⁾	2	2503
70,0	84	1,7	20,00	LAC 63X	80B	4	3272
70,0	78	1,4	40,00	LAC 63X	71C/80A	2	3272
70,0	85	2,8	20,00	LAC 75X	80B	4	3862
70,0	80	2,3	40,00	LAC 75X	80A	2	3862
70,0	82	3,4	40,00	LAC 90X	80A	2	4273
63,0	92	1,1	22,08	SXA141+LAC 50X	80B	4	2587
61,0	93	1,0	15,00	LAC 50X	80C	6	2635
61,0	96	1,8	15,00	LAC 63X	80C/90S	6	3444
61,0	97	2,7	15,00	LAC 75X	90S	6	4065
59,0	99	0,7	23,75	SXA141+LAC 50X	80B	4	2650
56,0	98	0,7	25,00	LAC 50X	80B	4	2696
56,0	101	1,3	25,00	LAC 63X	80B	4	3524
56,0	92	1,1	50,00	LAC 63X	71C/80A	2	3524
56,0	104	2,1	25,00	LAC 75X	80B	4	4160
56,0	96	1,7	50,00	LAC 75X	71C/80A	2	4160
56,0	98	2,7	50,00	LAC 90X	80A	2	4603
48,0	119	1,0	29,44	SXA141+LAC 50X	80B	4	2847
47,0	112	0,8	30,00	LAC 50X	80B	4	2865
47,0	115	1,4	30,00	LAC 63X	80B	4	3745
47,0	106	0,9	60,00	LAC 63X	71C/80A	2	3745
47,0	118	2,1	30,00	LAC 75X	80B	4	4421
47,0	111	1,4	60,00	LAC 75X	71C/80A	2	4421
47,0	115	2,1	60,00	LAC 90X	80A	2	4891
46,0	121	1,3	20,00	LAC 63X	80C/90S	6	3791
46,0	125	2,2	20,00	LAC 75X	80C/90S	6	4474
46,0	128	3,4	20,00	LAC 90X	90S	6	4951
42,0	137	0,8	22,08	SXA141+LAC 50X	80C	6	2976
39,0	145	0,7	35,63	SXA141+LAC 50X	80B	4	3034
37,0	148	1,0	25,00	LAC 63X	80C/90S	6	4084
37,0	152	1,6	25,00	LAC 75X	80C/90S	6	4820
37,0	156	2,6	25,00	LAC 90X	90S	6	5333
35,0	145	1,0	40,00	LAC 63X	80B	4	4122
35,0	149	1,6	40,00	LAC 75X	80B	4	4865
35,0	137	1,0	80,00	LAC 75X	71C/80A	2	4865
35,0	156	2,5	40,00	LAC 90X	80B	4	5383
35,0	143	1,6	80,00	LAC 90X	80A	2	5383
33,0	163	0,7	44,17	SXA141+LAC 50X	80B	4	3229
31,0	166	1,1	30,00	LAC 63X	80C/90S	6	4339
31,0	173	1,6	30,00	LAC 75X	80C/90S	6	5122
31,0	178	2,7	30,00	LAC 90X	90S	6	5667
31,0	178	0,7	29,44	SXA141+LAC 50X	80C	6	3275

⁽¹⁾ Available only with brake motor (TBS)

0,75 kW

n2 [rpm]	M2 [Nm]	fs	i	Gear reducer	Motor		Fr2 [N]
					Size	Pole	
30,0	185	0,7	47,50	SXA141+LAC 50X	80B	4	3316
28,0	171	0,8	50,00	LAC 63X	80B	4	4440
28,0	179	1,3	50,00	LAC 75X	80B	4	5241
28,0	159	0,8	100,00	LAC 75X	71C/80A	2	5241
28,0	187	2,0	50,00	LAC 90X	80B	4	5799
28,0	168	1,2	100,00	LAC 90X	80A	2	5799
24,0	189	0,7	60,00	LAC 63X	80B	4	4719
23,0	206	0,8	40,00	LAC 63X	80C	6	4776
23,0	215	1,3	40,00	LAC 75X	80C/90S	6	5637
23,0	203	1,1	60,00	LAC 75X	80B	4	5569
23,0	224	2,0	40,00	LAC 90X	80C/90S	6	6238
23,0	215	1,6	60,00	LAC 90X	80B	4	6163
18,0	249	1,0	50,00	LAC 75X	80C	6	6073
18,0	250	0,8	80,00	LAC 75X	80B	4	6130
18,0	269	1,6	50,00	LAC 90X	80C/90S	6	6719
18,0	262	1,1	80,00	LAC 90X	80B	4	6783
15,0	290	0,9	60,00	LAC 75X	80C	6	6453
15,0	304	1,3	60,00	LAC 90X	80C/90S	6	7140
14,3	365	1,6	100,00	LAC+LAC 50+90X	80B	4	6487
14,0	307	0,9	100,00	LAC 90X	80B	4	7306
12,0	374	0,8	80,00	LAC 90X	80C	6	7859
9,5	521	1,3	150,00	LAC+LAC 50+90X	80B	4	7426
7,2	668	0,9	200,00	LAC+LAC 50+90X	80B	4	8174
5,7	801	0,7	250,00	LAC+LAC 50+90X	80B	4	8180
4,8	895	0,8	300,00	LAC+LAC 50+90X	80B	4	8180

0,92 kW

n2 [rpm]	M2 [Nm]	fs	i	Gear reducer	Motor		Fr2 [N]
					Size	Pole	
280,0	28	2,4	5,00	LAC 50X	80C ⁽¹⁾	4	1577
187,0	41	1,9	7,50	LAC 50X	80C ⁽¹⁾	4	1805
187,0	42	3,1	7,50	LAC 63X	80C ⁽¹⁾	4	2359
140,0	55	1,4	10,00	LAC 50X	80C ⁽¹⁾	4	1987
140,0	55	2,5	10,00	LAC 63X	80C ⁽¹⁾	4	2597
93,0	78	1,0	15,00	LAC 50X	80C ⁽¹⁾	4	2274
93,0	79	1,9	15,00	LAC 63X	80C ⁽¹⁾	4	2973
70,0	100	0,8	20,00	LAC 50X	80C ⁽¹⁾	4	2503
70,0	103	1,4	20,00	LAC 63X	80C ⁽¹⁾	4	3272
70,0	104	2,3	20,00	LAC 75X	80C ⁽¹⁾	4	3862
63,0	113	0,9	22,08	SXA141+LAC 50X	80C ⁽¹⁾	4	2587
56,0	124	1,1	25,00	LAC 63X	80C ⁽¹⁾	4	3524
56,0	127	1,7	25,00	LAC 75X	80C ⁽¹⁾	4	4160

⁽¹⁾ Available only with brake motor (TBS)

0,92 kW

n2 [rpm]	M2 [Nm]	fs	i	Gear reducer	Motor		Fr2 [N]
					Size	Pole	
48,0	147	0,8	29,44	SXA141+LAC 50X	80C ⁽¹⁾	4	2847
47,0	141	1,1	30,00	LAC 63X	80C ⁽¹⁾	4	3745
47,0	145	1,7	30,00	LAC 75X	80C ⁽¹⁾	4	4421
35,0	178	0,8	40,00	LAC 63X	80C ⁽¹⁾	4	4122
35,0	183	1,3	40,00	LAC 75X	80C ⁽¹⁾	4	4865
35,0	191	2,1	40,00	LAC 90X	80C ⁽¹⁾	4	5383
28,0	220	1,0	50,00	LAC 75X	80C ⁽¹⁾	4	5241
28,0	229	1,6	50,00	LAC 90X	80C ⁽¹⁾	4	5799
23,0	249	0,9	60,00	LAC 75X	80C ⁽¹⁾	4	5569
23,0	264	1,3	60,00	LAC 90X	80C ⁽¹⁾	4	6163
18,0	321	0,9	80,00	LAC 90X	80C ⁽¹⁾	4	6783
14,0	377	0,7	100,00	LAC 90X	80C ⁽¹⁾	4	7306
14,0	448	1,3	100,00	LAC+LAC 50+90X	80C ⁽¹⁾	4	6487
9,3	639	1,0	150,00	LAC+LAC 50+90X	80C ⁽¹⁾	4	7426
7,0	819	0,7	200,00	LAC+LAC 50+90X	80C ⁽¹⁾	4	8174

1,10 kW

n2 [rpm]	M2 [Nm]	fs	i	Gear reducer	Motor		Fr2 [N]
					Size	Pole	
568,0	17	2,7	5,00	LAC 50X	80B	2	1251
379,0	25	2,1	7,50	LAC 50X	80B	2	1433
379,0	25	3,7	7,50	LAC 63X	80B	2	1873
284,0	33	1,6	10,00	LAC 50X	80B	2	1577
284,0	33	3,0	10,00	LAC 63X	80B	2	2061
282,0	33	2,1	5,00	LAC 50X	80D ⁽¹⁾	4	1577
189,0	48	1,2	15,00	LAC 50X	80B	2	1805
189,0	48	2,3	15,00	LAC 63X	80B	2	2359
188,0	49	1,6	7,50	LAC 50X	80D ⁽¹⁾	4	1805
188,0	50	2,6	7,50	LAC 63X	80D/90S	4	2359
187,0	50	3,7	7,50	LAC 75X	90S	4	2785
142,0	62	0,9	20,00	LAC 50X	80B	2	1987
142,0	63	1,7	20,00	LAC 63X	80B	2	2597
142,0	64	2,7	20,00	LAC 75X	80B	2	3065
141,0	65	1,2	10,00	LAC 50X	80D ⁽¹⁾	4	1987
141,0	65	2,1	10,00	LAC 63X	80D/90S	4	2597
140,0	66	3,0	10,00	LAC 75X	90S	4	3065
124,0	75	2,0	7,50	LAC 63X	90L	6	2734
124,0	75	2,9	7,50	LAC 75X	90L/100LR	6	3227
114,0	77	1,2	25,00	LAC 63X	80B	2	2797
114,0	78	2,0	25,00	LAC 75X	80B	2	3302
95,0	88	1,4	30,00	LAC 63X	80B	2	2973
95,0	90	2,1	30,00	LAC 75X	80B	2	3509

⁽¹⁾ Available only with brake motor (TBS)

1,10 kW

n2 [rpm]	M2 [Nm]	fs	i	Gear reducer	Motor		Fr2 [N]
					Size	Pole	
94,0	93	0,9	15,00	LAC 50X	80D ⁽¹⁾	4	2274
94,0	86	0,7	30,00	LAC 50X	80B	2	2274
93,0	96	1,6	10,00	LAC 63X	90L	6	3009
93,0	95	1,6	15,00	LAC 63X	80D/90S	4	2973
93,0	97	2,4	10,00	LAC 75X	90L/100LR	6	3551
93,0	97	2,4	15,00	LAC 75X	90S	4	3509
71,0	113	1,0	40,00	LAC 63X	80B	2	3272
71,0	116	1,6	40,00	LAC 75X	80B	2	3862
71,0	119	2,3	40,00	LAC 90X	80B	2	4273
70,0	123	1,2	20,00	LAC 63X	80D/90S	4	3272
70,0	125	1,9	20,00	LAC 75X	80D/90S	4	3862
70,0	128	3,1	20,00	LAC 90X	90S	4	4273
64,0	134	0,7	22,08	SXA141+LAC 50X	80D ⁽¹⁾	4	2581
62,0	139	1,2	15,00	LAC 63X	90L	6	3444
62,0	141	1,9	15,00	LAC 75X	90L/100LR	6	4065
62,0	144	3,2	15,00	LAC 90X	90L/100LR	6	4498
57,0	134	0,8	50,00	LAC 63X	80B	2	3524
57,0	139	1,2	50,00	LAC 75X	80B	2	4160
57,0	143	1,9	50,00	LAC 90X	80B	2	4603
56,0	148	0,9	25,00	LAC 63X	80D/90S	4	3524
56,0	152	1,4	25,00	LAC 75X	80D/90S	4	4160
56,0	156	2,4	25,00	LAC 90X	90S	4	4603
47,0	176	0,9	20,00	LAC 63X	90L	6	3791
47,0	169	0,9	30,00	LAC 63X	80D/90S	4	3745
47,0	181	1,5	20,00	LAC 75X	90L	6	4474
47,0	173	1,4	30,00	LAC 75X	80D/90S	4	4421
47,0	160	1,0	60,00	LAC 75X	80B	2	4421
47,0	185	2,3	20,00	LAC 90X	90L/100LR	6	4951
47,0	178	2,4	30,00	LAC 90X	90S	4	4891
47,0	167	1,5	60,00	LAC 90X	80B	2	4891
38,0	212	0,7	25,00	LAC 63X	90L	6	4084
37,0	220	1,1	25,00	LAC 75X	90L	6	4820
37,0	226	1,8	25,00	LAC 90X	90L/100LR	6	5333
35,0	212	0,7	40,00	LAC 63X	80D ⁽¹⁾	4	4122
35,0	219	1,1	40,00	LAC 75X	80D/90S	4	4865
35,0	199	0,7	80,00	LAC 75X	80B	2	4865
35,0	228	1,7	40,00	LAC 90X	80D/90S	4	5383
35,0	208	1,1	80,00	LAC 90X	80B	2	5383
31,0	241	0,7	30,00	LAC 63X	90L	6	4339
31,0	251	1,1	30,00	LAC 75X	90L	6	5122
31,0	258	1,9	30,00	LAC 90X	90L/100LR	6	5667
28,0	261	0,9	50,00	LAC 75X	80D ⁽¹⁾	4	5241

⁽¹⁾ Available only with brake motor (TBS)

1,10 kW

n2 [rpm]	M2 [Nm]	fs	i	Gear reducer	Motor		Fr2 [N]
					Size	Pole	
28,0	274	1,4	50,00	LAC 90X	80D/90S	4	5799
28,0	245	0,8	100,00	LAC 90X	80B	2	5799
24,0	295	0,7	60,00	LAC 75X	80D ⁽¹⁾	4	5569
23,0	312	0,9	40,00	LAC 75X	90L	6	5637
23,0	325	1,4	40,00	LAC 90X	90L	6	6238
23,0	315	1,1	60,00	LAC 90X	80D/90S	4	6163
19,0	390	1,1	50,00	LAC 90X	90L	6	6719
18,0	381	0,7	80,00	LAC 90X	80D ⁽¹⁾	4	6783
16,0	441	0,9	60,00	LAC 90X	90L	6	7140
14,1	535	1,1	100,00	LAC+LAC 50+90X	80D ⁽¹⁾	4	6487
9,4	764	0,9	150,00	LAC+LAC 50+90X	80D ⁽¹⁾	4	7426

1,50 kW

n2 [rpm]	M2 [Nm]	fs	i	Gear reducer	Motor		Fr2 [N]
					Size	Pole	
562,0	23	1,9	5,00	LAC 50X	80C ⁽¹⁾	2	1251
383,0	34	3,8	7,50	LAC 75X	90S	2	2210
375,0	34	1,5	7,50	LAC 50X	80C ⁽¹⁾	2	1433
375,0	35	2,7	7,50	LAC 63X	80C/90S	2	1873
287,0	45	3,4	10,00	LAC 75X	90S	2	2433
281,0	45	1,2	10,00	LAC 50X	80C ⁽¹⁾	2	1577
281,0	45	2,2	10,00	LAC 63X	80C/90S	2	2061
189,0	67	2,5	15,00	LAC 75X	90S	2	2785
187,0	66	0,9	15,00	LAC 50X	80C ⁽¹⁾	2	1805
187,0	68	1,9	7,50	LAC 63X	90L/90LA	4	2359
187,0	67	1,6	15,00	LAC 63X	80C/90S	2	2359
187,0	68	2,7	7,50	LAC 75X	90L/90LA	4	2785
142,0	89	2,9	20,00	LAC 90X	90S	2	3391
141,0	87	1,2	20,00	LAC 63X	80C/90S	2	2597
141,0	88	2,0	20,00	LAC 75X	80C/90S	2	3065
140,0	89	1,5	10,00	LAC 63X	90L/90LA	4	2597
140,0	90	2,2	10,00	LAC 75X	90L/90LA	4	3065
140,0	91	3,7	10,00	LAC 90X	90L/90LA	4	3391
124,0	102	2,1	7,50	LAC 75X	100L/100LA	6	3227
124,0	103	3,6	7,50	LAC 90X	100L/100LA	6	3570
114,0	108	2,3	25,00	LAC 90X	90S	2	3653
112,0	106	0,9	25,00	LAC 63X	80C/90S	2	2797
112,0	107	1,5	25,00	LAC 75X	80C/90S	2	3302
95,0	126	2,5	30,00	LAC 90X	90S	2	3882
94,0	121	1,0	30,00	LAC 63X	80C/90S	2	2973
94,0	124	1,5	30,00	LAC 75X	80C/90S	2	3509
93,0	129	1,2	15,00	LAC 63X	90L/90LA	4	2973

⁽¹⁾ Available only with brake motor (TBS)

1,50 kW

n2 [rpm]	M2 [Nm]	fs	i	Gear reducer	Motor		Fr2 [N]
					Size	Pole	
93,0	132	1,7	10,00	LAC 75X	100L/100LA	6	3551
93,0	132	1,7	15,00	LAC 75X	90L/90LA	4	3509
93,0	134	3,0	10,00	LAC 90X	100L/100LA	6	3929
93,0	134	3,0	15,00	LAC 90X	90L/90LA	4	3882
70,0	168	0,9	20,00	LAC 63X	90L/90LA	4	3272
70,0	155	0,7	40,00	LAC 63X	80C ⁽¹⁾	2	3272
70,0	170	1,4	20,00	LAC 75X	90L/90LA	4	3862
70,0	159	1,1	40,00	LAC 75X	80C/90S	2	3862
70,0	174	2,2	20,00	LAC 90X	90L/90LA	4	4273
70,0	163	1,7	40,00	LAC 90X	80C/90S	2	4273
62,0	192	1,4	15,00	LAC 75X	100L/100LA	6	4065
62,0	196	2,4	15,00	LAC 90X	100L/100LA	6	4498
56,0	207	1,0	25,00	LAC 75X	90L/90LA	4	4160
56,0	191	0,9	50,00	LAC 75X	80C ⁽¹⁾	2	4160
56,0	212	1,8	25,00	LAC 90X	90L/90LA	4	4603
56,0	196	1,4	50,00	LAC 90X	80C/90S	2	4603
47,0	227	0,7	30,00	LAC 63X	90L	4	3745
47,0	236	1,0	30,00	LAC 75X	90L/90LA	4	4421
47,0	220	0,7	60,00	LAC 75X	80C ⁽¹⁾	2	4421
47,0	253	1,7	20,00	LAC 90X	100L/100LA	6	4951
47,0	243	1,8	30,00	LAC 90X	90L/90LA	4	4891
47,0	229	1,1	60,00	LAC 90X	80C/90S	2	4891
37,0	308	1,3	25,00	LAC 90X	100L/100LA	6	5333
35,0	299	0,8	40,00	LAC 75X	90L/90LA	4	4865
35,0	311	1,3	40,00	LAC 90X	90L/90LA	4	5383
35,0	285	0,8	80,00	LAC 90X	80C ⁽¹⁾	2	5383
31,0	351	1,4	30,00	LAC 90X	100L/100LA	6	5667
28,0	373	1,0	50,00	LAC 90X	90L/90LA	4	5799
23,0	430	0,8	60,00	LAC 90X	90L/90LA	4	6163

1,85 kW

n2 [rpm]	M2 [Nm]	fs	i	Gear reducer	Motor		Fr2 [N]
					Size	Pole	
187,0	84	1,5	7,50	LAC 63X	90LB ⁽¹⁾	4	2359
187,0	84	2,2	7,50	LAC 75X	90LB ⁽¹⁾	4	2785
187,0	85	3,7	7,50	LAC 90X	90LB ⁽¹⁾	4	3081
140,0	110	1,2	10,00	LAC 63X	90LB ⁽¹⁾	4	2597
140,0	111	1,8	10,00	LAC 75X	90LB ⁽¹⁾	4	3065
140,0	112	3,0	10,00	LAC 90X	90LB ⁽¹⁾	4	3391
124,0	125	1,7	7,50	LAC 75X	100LB	6	3227
124,0	127	2,9	7,50	LAC 90X	100LB	6	3570
93,0	159	0,9	15,00	LAC 63X	90LB ⁽¹⁾	4	2973

⁽¹⁾ Available only with brake motor (TBS)

1,85 kW

n ₂ [rpm]	M ₂ [Nm]	f _s	i	Gear reducer	Motor		Fr ₂ [N]
					Size	Pole	
93,0	163	1,4	10,00	LAC 75X	100LB	6	3551
93,0	163	1,4	15,00	LAC 75X	90LB ⁽¹⁾	4	3509
93,0	165	2,5	10,00	LAC 90X	100LB	6	3929
93,0	165	2,4	15,00	LAC 90X	90LB ⁽¹⁾	4	3882
70,0	207	0,7	20,00	LAC 63X	90LB ⁽¹⁾	4	3272
70,0	209	1,1	20,00	LAC 75X	90LB ⁽¹⁾	4	3862
70,0	215	1,8	20,00	LAC 90X	90LB ⁽¹⁾	4	4273
62,0	237	1,1	15,00	LAC 75X	100LB	6	4065
62,0	242	1,9	15,00	LAC 90X	100LB	6	4498
56,0	256	0,8	25,00	LAC 75X	90LB ⁽¹⁾	4	4160
56,0	262	1,4	25,00	LAC 90X	90LB ⁽¹⁾	4	4603
47,0	292	0,8	30,00	LAC 75X	90LB ⁽¹⁾	4	4421
47,0	312	1,4	20,00	LAC 90X	100LB	6	4951
47,0	299	1,4	30,00	LAC 90X	90LB ⁽¹⁾	4	4891
37,0	380	1,1	25,00	LAC 90X	100LB	6	5333
35,0	384	1,0	40,00	LAC 90X	90LB ⁽¹⁾	4	5383
31,0	433	1,1	30,00	LAC 90X	100LB	6	5667
28,0	461	0,8	50,00	LAC 90X	90LB ⁽¹⁾	4	5799

2,20 kW

n ₂ [rpm]	M ₂ [Nm]	f _s	i	Gear reducer	Motor		Fr ₂ [N]
					Size	Pole	
384,0	50	1,9	7,50	LAC 63X	90L	2	1873
384,0	50	2,6	7,50	LAC 75X	90L	2	2210
288,0	65	1,5	10,00	LAC 63X	90L	2	2061
288,0	66	2,3	10,00	LAC 75X	90L	2	2433
288,0	66	3,6	10,00	LAC 90X	90L	2	2692
191,0	96	1,1	15,00	LAC 63X	90L	2	2359
191,0	97	1,7	15,00	LAC 75X	90L	2	2785
191,0	98	2,8	15,00	LAC 90X	90L	2	3081
189,0	99	1,9	7,50	LAC 75X	100LA/112MR	4	2785
189,0	100	3,2	7,50	LAC 90X	100LA/112MR	4	3081
143,0	125	0,8	20,00	LAC 63X	90L	2	2597
143,0	126	1,4	20,00	LAC 75X	90L	2	3065
143,0	129	2,0	20,00	LAC 90X	90L	2	3391
142,0	130	1,5	10,00	LAC 75X	100LA/112MR	4	3065
142,0	132	2,6	10,00	LAC 90X	100LA/112MR	4	3391
124,0	149	1,4	7,50	LAC 75X	112M/112MA	6	3227
124,0	151	2,5	7,50	LAC 90X	112M/112MA	6	3570
114,0	154	1,0	25,00	LAC 75X	90L	2	3302
114,0	158	1,6	25,00	LAC 90X	90L	2	3653
95,0	191	1,2	15,00	LAC 75X	100LA/112MR	4	3509

⁽¹⁾ Available only with brake motor (TBS)

2,20 kW

n ₂ [rpm]	M ₂ [Nm]	f _s	i	Gear reducer	Motor		Fr ₂ [N]
					Size	Pole	
95,0	179	1,0	30,00	LAC 75X	90L	2	3509
95,0	193	2,1	15,00	LAC 90X	100LA/112MR	4	3882
95,0	183	1,7	30,00	LAC 90X	90L	2	3882
93,0	194	1,2	10,00	LAC 75X	112M/112MA	6	3551
93,0	197	2,1	10,00	LAC 90X	112M/112MA	6	3929
72,0	229	0,8	40,00	LAC 75X	90L	2	3862
72,0	235	1,2	40,00	LAC 90X	90L	2	4273
71,0	252	1,6	20,00	LAC 90X	100LA/112MR	4	4273
62,0	281	0,9	15,00	LAC 75X	112M/112MA	6	4065
62,0	288	1,6	15,00	LAC 90X	112M/112MA	6	4498
57,0	307	1,2	25,00	LAC 90X	100LA/112MR	4	4603
57,0	283	0,9	50,00	LAC 90X	90L	2	4603
48,0	331	0,7	60,00	LAC 90X	90L	2	4891
47,0	370	1,2	20,00	LAC 90X	112M/112MA	6	4951
47,0	351	1,2	30,00	LAC 90X	100LA/112MR	4	4891
37,0	452	0,9	25,00	LAC 90X	112M/112MA	6	5333
31,0	515	0,9	30,00	LAC 90X	112M/112MA	6	5667

3,00 kW

n ₂ [rpm]	M ₂ [Nm]	f _s	i	Gear reducer	Motor		Fr ₂ [N]
					Size	Pole	
383,0	68	1,9	7,50	LAC 75X	100L/100LA	2	2210
383,0	69	3,0	7,50	LAC 90X	100L/100LA	2	2446
287,0	90	1,7	10,00	LAC 75X	100L/100LA	2	2433
287,0	90	2,6	10,00	LAC 90X	100L/100LA	2	2692
191,0	132	1,3	15,00	LAC 75X	100L/100LA	2	2785
191,0	133	2,0	15,00	LAC 90X	100L/100LA	2	3081
189,0	135	1,4	7,50	LAC 75X	100LB/112MS	4	2785
189,0	136	2,3	7,50	LAC 90X	100LB/112MS	4	3081
144,0	176	1,5	20,00	LAC 90X	100L/100LA	2	3391
142,0	178	1,1	10,00	LAC 75X	100LB/112MS	4	3065
142,0	180	1,9	10,00	LAC 90X	100LB/112MS	4	3391
124,0	203	1,1	7,50	LAC 75X	112MB	6	3227
124,0	206	1,8	7,50	LAC 90X	112MB	6	3570
115,0	215	1,2	25,00	LAC 90X	100L/100LA	2	3653
96,0	249	1,2	30,00	LAC 90X	100L/100LA	2	3882
95,0	260	0,9	15,00	LAC 75X	100LB/112MS	4	3509
95,0	263	1,5	15,00	LAC 90X	100LB/112MS	4	3882
93,0	265	0,9	10,00	LAC 75X	112MB	6	3551
93,0	268	1,5	10,00	LAC 90X	112MB	6	3929
71,0	343	1,1	20,00	LAC 90X	100LB/112MS	4	4273
62,0	393	1,2	15,00	LAC 90X	112MB	6	4498

3,00 kW

n2 [rpm]	M2 [Nm]	fs	i	Gear reducer	Size	Motor	Pole	Fr2 [N]
57,0	419	0,9	25,00	LAC 90X	100LB/112MS		4	4603
47,0	505	0,8	20,00	LAC 90X	112MB		6	4951
47,0	478	0,9	30,00	LAC 90X	100LB/112MS		4	4891

4,00 kW

n2 [rpm]	M2 [Nm]	fs	i	Gear reducer	Size	Motor	Pole	Fr2 [N]
383,0	91	1,4	7,50	LAC 75X	100LB/112M/112MA		2	2210
383,0	92	2,3	7,50	LAC 90X	100LB/112M/112MA		2	2446
287,0	120	1,3	10,00	LAC 75X	100LB/112M/112MA		2	2433
287,0	120	2,0	10,00	LAC 90X	100LB/112M/112MA		2	2692
192,0	177	1,0	7,50	LAC 75X	112M/112MA		4	2785
192,0	179	1,8	7,50	LAC 90X	112M/112MA		4	3081
191,0	176	0,9	15,00	LAC 75X	100LB/112M/112MA		2	2785
191,0	178	1,5	15,00	LAC 90X	100LB/112M/112MA		2	3081
144,0	233	0,9	10,00	LAC 75X	112M/112MA		4	3065
144,0	236	1,4	10,00	LAC 90X	112M/112MA		4	3391
144,0	234	1,1	20,00	LAC 90X	100LB/112M/112MA		2	3391
115,0	286	0,9	25,00	LAC 90X	100LB/112M/112MA		2	3653
96,0	346	1,1	15,00	LAC 90X	112M/112MA		4	3882
96,0	331	0,9	30,00	LAC 90X	100LB/112M/112MA		2	3882
72,0	451	0,9	20,00	LAC 90X	112M/112MA		4	4273

4,80 kW

n2 [rpm]	M2 [Nm]	fs	i	Gear reducer	Size	Motor	Pole	Fr2 [N]
191,0	214	0,9	7,50	LAC 75X	112MB ⁽¹⁾		4	2785
191,0	216	1,5	7,50	LAC 90X	112MB ⁽¹⁾		4	3081
143,0	282	0,7	10,00	LAC 75X	112MB ⁽¹⁾		4	3065
143,0	285	1,2	10,00	LAC 90X	112MB ⁽¹⁾		4	3391
95,0	418	0,9	15,00	LAC 90X	112MB ⁽¹⁾		4	3882
72,0	545	0,7	20,00	LAC 90X	112MB ⁽¹⁾		4	4273

5,50 kW

n2 [rpm]	M2 [Nm]	fs	i	Gear reducer	Size	Motor	Pole	Fr2 [N]
388,0	123	1,1	7,50	LAC 75X	112MB ⁽¹⁾		2	2210
388,0	125	1,7	7,50	LAC 90X	112MB ⁽¹⁾		2	2446
291,0	162	0,9	10,00	LAC 75X	112MB ⁽¹⁾		2	2433
291,0	162	1,4	10,00	LAC 90X	112MB ⁽¹⁾		2	2692

⁽¹⁾ Available only with brake motor (TBS)

5,50 kW

n ₂ [rpm]	M ₂ [Nm]	f _s	i	Gear reducer	Motor Size	Pole	Fr ₂ [N]
194,0	241	1,1	15,00	LAC 90X	112MB ⁽¹⁾	2	3081
146,0	318	0,8	20,00	LAC 90X	112MB ⁽¹⁾	2	3391

⁽¹⁾ Available only with brake motor (TBS)

LA 30X

Mn_2 [Nm]	i	Pn_1 [kW]	n_2 [rpm]	Fr_1 [N]	Fr_2 [N]
12	5,00	0,79	560,0	115	474
13	7,50	0,58	373,0	125	542
13	10,00	0,44	280,0	140	597
13	15,00	0,31	187,0	140	683
12	20,00	0,22	140,0	146	752
16	25,00	0,25	112,0	210	810
15	30,00	0,20	93,0	210	861
14	40,00	0,15	70,0	127	948
13	50,00	0,12	56,0	128	1021
12	60,00	0,10	47,0	126	1085
11	80,00	0,08	35,0	130	1194

LA 40X

Mn_2 [Nm]	i	Pn_1 [kW]	n_2 [rpm]	Fr_1 [N]	Fr_2 [N]
24	5,00	1,56	560,0	200	912
28	7,50	1,23	373,0	233	1044
29	10,00	0,97	280,0	272	1149
31	15,00	0,71	187,0	291	1315
29	20,00	0,51	140,0	204	1447
28	25,00	0,41	112,0	236	1559
34	30,00	0,43	93,0	350	1657
31	40,00	0,31	70,0	350	1824
30	50,00	0,25	56,0	350	1964
28	60,00	0,21	47,0	350	2087
25	80,00	0,15	35,0	350	2298
23	100,00	0,12	28,0	350	2475

LA 50X

Mn_2 [Nm]	i	Pn_1 [kW]	n_2 [rpm]	Fr_1 [N]	Fr_2 [N]
45	5,00	2,90	560,0	280	1251
52	7,50	2,26	373,0	324	1433
54	10,00	1,78	280,0	378	1577
57	15,00	1,30	187,0	399	1805
53	20,00	0,94	140,0	417	1987
51	25,00	0,74	112,0	482	2140
64	30,00	0,81	93,0	490	2274
59	40,00	0,58	70,0	490	2503
53	50,00	0,44	56,0	490	2696
50	60,00	0,36	47,0	490	2865

LA 50X

Mn_2 [Nm]	i	Pn_1 [kW]	n2 [rpm]	Fr1 [N]	Fr2 [N]
45	80,00	0,27	35,0	490	3153
40	100,00	0,21	28,0	490	3397

LA 63X

Mn_2 [Nm]	i	Pn_1 [kW]	n2 [rpm]	Fr1 [N]	Fr2 [N]
94	7,50	4,03	373,0	395	1873
99	10,00	3,27	280,0	471	2061
109	15,00	2,45	187,0	516	2359
104	20,00	1,80	140,0	556	2597
96	25,00	1,35	112,0	613	2797
121	30,00	1,49	93,0	700	2973
113	40,00	1,09	70,0	700	3272
105	50,00	0,85	56,0	700	3524
99	60,00	0,70	47,0	700	3745
88	80,00	0,50	35,0	700	4122
79	100,00	0,39	28,0	700	4440

LA 75X

Mn_2 [Nm]	i	Pn_1 [kW]	n2 [rpm]	Fr1 [N]	Fr2 [N]
131	7,50	5,61	373,0	560	2210
151	10,00	4,93	280,0	729	2433
165	15,00	3,66	187,0	795	2785
173	20,00	2,94	140,0	935	3065
159	25,00	2,21	112,0	980	3302
185	30,00	2,24	93,0	980	3509
182	40,00	1,71	70,0	980	3862
165	50,00	1,29	56,0	980	4160
159	60,00	1,08	47,0	980	4421
141	80,00	0,77	35,0	980	4865
131	100,00	0,62	28,0	980	5241

LA 90X

Mn_2 [Nm]	i	Pn_1 [kW]	n2 [rpm]	Fr1 [N]	Fr2 [N]
210	7,50	8,92	373,0	715	2446
235	10,00	7,66	280,0	900	2692
270	15,00	5,93	187,0	1034	3081
260	20,00	4,33	140,0	1120	3391

LA 90X

Mn_2 [Nm]	i	Pn_1 [kW]	n_2 [rpm]	Fr_1 [N]	Fr_2 [N]
250	25,00	3,41	112,0	1270	3653
310	30,00	3,65	93,0	1270	3882
275	40,00	2,52	70,0	1270	4273
265	50,00	2,02	56,0	1270	4603
245	60,00	1,60	47,0	1270	4891
225	80,00	1,18	35,0	1270	5383
200	100,00	0,89	28,0	1270	5799

LA 30X

Mn_2 [Nm]	i	Pn_1 [kW]	n_2 [rpm]	Fr_1 [N]	Fr_2 [N]
18	5,00	0,76	350,0	150	554
18	7,50	0,52	233,0	150	634
18	10,00	0,40	175,0	169	698
18	15,00	0,28	117,0	169	799
17	20,00	0,21	88,0	179	880
21	25,00	0,22	70,0	210	948
20	30,00	0,19	58,0	210	1007
18	40,00	0,14	44,0	210	1108
17	50,00	0,11	35,0	210	1194
15	60,00	0,09	29,0	210	1269
12	80,00	0,06	22,0	210	1396

LA 40X

Mn_2 [Nm]	i	Pn_1 [kW]	n_2 [rpm]	Fr_1 [N]	Fr_2 [N]
34	5,00	1,41	350,0	250	1066
40	7,50	1,12	233,0	291	1221
42	10,00	0,90	175,0	343	1344
42	15,00	0,62	117,0	343	1538
41	20,00	0,47	88,0	350	1693
37	25,00	0,36	70,0	350	1824
46	30,00	0,39	58,0	350	1938
43	40,00	0,30	44,0	350	2133
40	50,00	0,23	35,0	350	2298
36	60,00	0,19	29,0	350	2442
31	80,00	0,14	22,0	350	2687
28	100,00	0,11	18,0	350	2895

LA 50X

Mn_2 [Nm]	i	Pn_1 [kW]	n_2 [rpm]	Fr_1 [N]	Fr_2 [N]
65	5,00	2,66	350,0	350	1464
73	7,50	2,03	233,0	396	1676
75	10,00	1,58	175,0	490	1844
77	15,00	1,13	117,0	490	2111
74	20,00	0,85	88,0	490	2324
67	25,00	0,64	70,0	490	2503
84	30,00	0,70	58,0	490	2660
78	40,00	0,52	44,0	490	2927
73	50,00	0,42	35,0	490	3153
68	60,00	0,35	29,0	490	3351

LA 50X

Mn_2 [Nm]	i	Pn_1 [kW]	n2 [rpm]	Fr1 [N]	Fr2 [N]
62	80,00	0,26	22,0	490	3688
52	100,00	0,19	18,0	490	3973

LA 63X

Mn_2 [Nm]	i	Pn_1 [kW]	n2 [rpm]	Fr1 [N]	Fr2 [N]
122	7,50	3,32	233,0	500	2190
125	10,00	2,63	175,0	579	2411
140	15,00	2,02	117,0	646	2759
138	20,00	1,53	88,0	700	3037
127	25,00	1,17	70,0	700	3272
152	30,00	1,22	58,0	700	3477
142	40,00	0,91	44,0	700	3827
136	50,00	0,73	35,0	700	4122
128	60,00	0,61	29,0	700	4380
116	80,00	0,45	22,0	700	4821
112	100,00	0,38	18,0	700	5193

LA 75X

Mn_2 [Nm]	i	Pn_1 [kW]	n2 [rpm]	Fr1 [N]	Fr2 [N]
176	7,50	4,80	233,0	700	2585
187	10,00	3,88	175,0	839	2845
215	15,00	3,03	117,0	962	3257
221	20,00	2,42	88,0	980	3585
202	25,00	1,81	70,0	980	3862
229	30,00	1,80	58,0	980	4104
229	40,00	1,42	44,0	980	4517
212	50,00	1,10	35,0	980	4865
201	60,00	0,91	29,0	980	5170
184	80,00	0,68	22,0	980	5691
171	100,00	0,55	18,0	980	6130

LA 90X

Mn_2 [Nm]	i	Pn_1 [kW]	n2 [rpm]	Fr1 [N]	Fr2 [N]
303	7,50	8,19	233,0	900	2860
324	10,00	6,65	175,0	1082	3148
376	15,00	5,26	117,0	1257	3604
371	20,00	3,97	88,0	1270	3967

LA 90X

Mn_2 [Nm]	i	Pn_1 [kW]	n_2 [rpm]	Fr_1 [N]	Fr_2 [N]
355	25,00	3,11	70,0	1270	4273
410	30,00	3,14	58,0	1270	4541
376	40,00	2,24	44,0	1270	4998
355	50,00	1,76	35,0	1270	5383
334	60,00	1,44	29,0	1270	5721
271	80,00	0,95	22,0	1270	6297
257	100,00	0,77	18,0	1270	6783

LA 30X

Mn_2 [Nm]	i	Pn_1 [kW]	n_2 [rpm]	Fr_1 [N]	Fr_2 [N]
19	5,00	0,64	280,0	150	597
19	7,50	0,44	187,0	150	683
19	10,00	0,34	140,0	169	752
19	15,00	0,24	93,0	169	861
18	20,00	0,18	70,0	180	948
22	25,00	0,19	56,0	210	1021
21	30,00	0,16	47,0	210	1085
19	40,00	0,12	35,0	210	1194
18	50,00	0,09	28,0	210	1286
16	60,00	0,08	23,0	210	1367
13	80,00	0,05	18,0	210	1504

LA 40X

Mn_2 [Nm]	i	Pn_1 [kW]	n_2 [rpm]	Fr_1 [N]	Fr_2 [N]
36	5,00	1,19	280,0	250	1149
42	7,50	0,94	187,0	292	1315
44	10,00	0,76	140,0	344	1447
44	15,00	0,52	93,0	344	1657
43	20,00	0,40	70,0	350	1824
39	25,00	0,30	56,0	350	1964
48	30,00	0,33	47,0	350	2087
45	40,00	0,25	35,0	350	2298
42	50,00	0,20	28,0	350	2475
38	60,00	0,16	23,0	350	2630
33	80,00	0,11	18,0	350	2895
29	100,00	0,09	14,0	350	3118

LA 50X

Mn_2 [Nm]	i	Pn_1 [kW]	n_2 [rpm]	Fr_1 [N]	Fr_2 [N]
68	5,00	2,24	280,0	350	1577
77	7,50	1,71	187,0	396	1805
79	10,00	1,33	140,0	490	1987
81	15,00	0,95	93,0	490	2274
78	20,00	0,71	70,0	490	2503
71	25,00	0,54	56,0	490	2696
88	30,00	0,59	47,0	490	2865
82	40,00	0,44	35,0	490	3153
77	50,00	0,35	28,0	490	3397
72	60,00	0,29	23,0	490	3610

LA 50X

Mn_2 [Nm]	i	Pn_1 [kW]	n2 [rpm]	Fr1 [N]	Fr2 [N]
65	80,00	0,22	18,0	490	3973
55	100,00	0,16	14,0	490	4280

LA 63X

Mn_2 [Nm]	i	Pn_1 [kW]	n2 [rpm]	Fr1 [N]	Fr2 [N]
128	7,50	2,81	187,0	500	2359
135	10,00	2,28	140,0	595	2597
150	15,00	1,75	93,0	660	2973
146	20,00	1,30	70,0	700	3272
134	25,00	0,99	56,0	700	3524
160	30,00	1,04	47,0	700	3745
149	40,00	0,77	35,0	700	4122
143	50,00	0,63	28,0	700	4440
135	60,00	0,52	23,0	700	4719
122	80,00	0,39	18,0	700	5193
118	100,00	0,33	14,0	700	5595

LA 75X

Mn_2 [Nm]	i	Pn_1 [kW]	n2 [rpm]	Fr1 [N]	Fr2 [N]
185	7,50	4,06	187,0	700	2785
201	10,00	3,35	140,0	857	3065
230	15,00	2,61	93,0	979	3509
236	20,00	2,09	70,0	980	3862
214	25,00	1,55	56,0	980	4160
247	30,00	1,57	47,0	980	4421
245	40,00	1,23	35,0	980	4865
225	50,00	0,94	28,0	980	5241
214	60,00	0,79	23,0	980	5569
195	80,00	0,58	18,0	980	6130
180	100,00	0,47	14,0	980	6603

LA 90X

Mn_2 [Nm]	i	Pn_1 [kW]	n2 [rpm]	Fr1 [N]	Fr2 [N]
319	7,50	6,93	187,0	900	3081
341	10,00	5,62	140,0	1082	3391
396	15,00	4,45	93,0	1257	3882
391	20,00	3,37	70,0	1270	4273

LA 90X

Mn_2 [Nm]	i	Pn_1 [kW]	n_2 [rpm]	Fr_1 [N]	Fr_2 [N]
374	25,00	2,64	56,0	1270	4603
432	30,00	2,67	47,0	1270	4891
396	40,00	1,91	35,0	1270	5383
374	50,00	1,50	28,0	1270	5799
352	60,00	1,23	23,0	1270	6163
285	80,00	0,82	18,0	1270	6783
270	100,00	0,66	14,0	1270	7306

LA 30X

Mn_2 [Nm]	i	Pn_1 [kW]	n_2 [rpm]	Fr_1 [N]	Fr_2 [N]
20	5,00	0,56	228,0	175	639
20	7,50	0,38	152,0	175	732
20	10,00	0,29	114,0	197	805
20	15,00	0,21	76,0	197	922
19	20,00	0,16	57,0	210	1015
23	25,00	0,16	46,0	210	1093
21	30,00	0,13	38,0	210	1162
20	40,00	0,10	29,0	210	1278
19	50,00	0,08	23,0	210	1377
17	60,00	0,07	19,0	210	1463
14	80,00	0,05	14,0	210	1611

LA 40X

Mn_2 [Nm]	i	Pn_1 [kW]	n_2 [rpm]	Fr_1 [N]	Fr_2 [N]
39	5,00	1,06	228,0	290	1230
44	7,50	0,81	152,0	327	1408
46	10,00	0,65	114,0	350	1550
47	15,00	0,46	76,0	350	1774
46	20,00	0,35	57,0	350	1953
42	25,00	0,27	46,0	350	2104
51	30,00	0,29	38,0	350	2235
48	40,00	0,22	29,0	350	2460
44	50,00	0,17	23,0	350	2650
40	60,00	0,14	19,0	350	2816
34	80,00	0,10	14,0	350	3100
31	100,00	0,08	11,0	350	3339

LA 50X

Mn_2 [Nm]	i	Pn_1 [kW]	n_2 [rpm]	Fr_1 [N]	Fr_2 [N]
75	5,00	2,01	228,0	400	1689
84	7,50	1,54	152,0	448	1933
86	10,00	1,19	114,0	490	2127
86	15,00	0,84	76,0	490	2435
80	20,00	0,61	57,0	490	2680
73	25,00	0,46	46,0	490	2887
91	30,00	0,51	38,0	490	3068
85	40,00	0,38	29,0	490	3377
79	50,00	0,30	23,0	490	3638
74	60,00	0,25	19,0	490	3866

LA 50X

Mn_2 [Nm]	i	Pn_1 [kW]	n_2 [rpm]	Fr_1 [N]	Fr_2 [N]
66	80,00	0,19	14,0	490	4255
55	100,00	0,14	11,0	490	4583

LA 63X

Mn_2 [Nm]	i	Pn_1 [kW]	n_2 [rpm]	Fr_1 [N]	Fr_2 [N]
139	7,50	2,51	152,0	580	2527
143	10,00	1,97	114,0	667	2781
159	15,00	1,52	76,0	700	3183
154	20,00	1,14	57,0	700	3504
141	25,00	0,87	46,0	700	3774
168	30,00	0,91	38,0	700	4011
160	40,00	0,69	29,0	700	4414
152	50,00	0,56	23,0	700	4755
144	60,00	0,47	19,0	700	5053
129	80,00	0,34	14,0	700	5562
121	100,00	0,29	11,0	700	5991

LA 75X

Mn_2 [Nm]	i	Pn_1 [kW]	n_2 [rpm]	Fr_1 [N]	Fr_2 [N]
200	7,50	3,59	152,0	810	2982
212	10,00	2,92	114,0	968	3282
250	15,00	2,36	76,0	980	3757
250	20,00	1,84	57,0	980	4135
228	25,00	1,38	46,0	980	4455
264	30,00	1,41	38,0	980	4734
262	40,00	1,11	29,0	980	5210
240	50,00	0,86	23,0	980	5613
231	60,00	0,73	19,0	980	5964
207	80,00	0,54	14,0	980	6565
188	100,00	0,43	11,0	980	7071

LA 90X

Mn_2 [Nm]	i	Pn_1 [kW]	n_2 [rpm]	Fr_1 [N]	Fr_2 [N]
347	7,50	6,16	152,0	1040	3300
374	10,00	5,06	114,0	1270	3632
429	15,00	3,96	76,0	1270	4157
410	20,00	2,92	57,0	1270	4576

LA 90X

Mn_2 [Nm]	i	Pn_1 [kW]	n_2 [rpm]	Fr_1 [N]	Fr_2 [N]
390	25,00	2,28	46,0	1270	4929
459	30,00	2,35	38,0	1270	5238
423	40,00	1,70	29,0	1270	5765
402	50,00	1,34	23,0	1270	6210
369	60,00	1,08	19,0	1270	6599
300	80,00	0,72	14,0	1270	7264
275	100,00	0,57	11,0	1270	7824

LA 30X

Mn_2 [Nm]	i	Pn_1 [kW]	n_2 [rpm]	Fr_1 [N]	Fr_2 [N]
21	5,00	0,47	180,0	175	692
21	7,50	0,32	120,0	175	792
21	10,00	0,24	90,0	197	871
21	15,00	0,18	60,0	197	997
20	20,00	0,13	45,0	210	1098
24	25,00	0,14	36,0	210	1183
22	30,00	0,11	30,0	210	1257
21	40,00	0,09	23,0	210	1383
19	50,00	0,07	18,0	210	1490
17	60,00	0,06	15,0	210	1583
15	80,00	0,04	11,0	210	1743

LA 40X

Mn_2 [Nm]	i	Pn_1 [kW]	n_2 [rpm]	Fr_1 [N]	Fr_2 [N]
42	5,00	0,91	180,0	290	1331
46	7,50	0,68	120,0	318	1524
48	10,00	0,55	90,0	350	1677
50	15,00	0,40	60,0	350	1920
48	20,00	0,30	45,0	350	2113
45	25,00	0,23	36,0	350	2276
53	30,00	0,25	30,0	350	2419
50	40,00	0,19	23,0	350	2662
46	50,00	0,15	18,0	350	2868
41	60,00	0,12	15,0	350	3047
35	80,00	0,08	11,0	350	3354
32	100,00	0,07	9,0	350	3490

LA 50X

Mn_2 [Nm]	i	Pn_1 [kW]	n_2 [rpm]	Fr_1 [N]	Fr_2 [N]
82	5,00	1,76	180,0	400	1827
91	7,50	1,33	120,0	444	2091
92	10,00	1,02	90,0	490	2302
92	15,00	0,72	60,0	490	2635
83	20,00	0,51	45,0	490	2900
76	25,00	0,39	36,0	490	3124
94	30,00	0,43	30,0	490	3320
88	40,00	0,32	23,0	490	3654
81	50,00	0,25	18,0	490	3936
76	60,00	0,21	15,0	490	4183

LA 50X

Mn_2 [Nm]	i	Pn_1 [kW]	n2 [rpm]	Fr1 [N]	Fr2 [N]
68	80,00	0,16	11,0	490	4604
56	100,00	0,12	9,0	490	4840

LA 63X

Mn_2 [Nm]	i	Pn_1 [kW]	n2 [rpm]	Fr1 [N]	Fr2 [N]
151	7,50	2,16	120,0	580	2734
153	10,00	1,70	90,0	661	3009
171	15,00	1,31	60,0	700	3444
163	20,00	0,99	45,0	700	3791
149	25,00	0,74	36,0	700	4084
177	30,00	0,78	30,0	700	4339
171	40,00	0,61	23,0	700	4776
161	50,00	0,49	18,0	700	5145
153	60,00	0,41	15,0	700	5467
137	80,00	0,30	11,0	700	6018
124	100,00	0,24	9,0	700	6270

LA 75X

Mn_2 [Nm]	i	Pn_1 [kW]	n2 [rpm]	Fr1 [N]	Fr2 [N]
215	7,50	3,07	120,0	810	3227
230	10,00	2,52	90,0	975	3551
264	15,00	2,00	60,0	980	4065
268	20,00	1,58	45,0	980	4474
241	25,00	1,16	36,0	980	4820
285	30,00	1,21	30,0	980	5122
277	40,00	0,95	23,0	980	5637
255	50,00	0,75	18,0	980	6073
247	60,00	0,63	15,0	980	6453
220	80,00	0,46	11,0	980	7103
196	100,00	0,36	9,0	980	7380

LA 90X

Mn_2 [Nm]	i	Pn_1 [kW]	n2 [rpm]	Fr1 [N]	Fr2 [N]
374	7,50	5,28	120,0	1040	3570
407	10,00	4,41	90,0	1270	3929
462	15,00	3,41	60,0	1270	4498
429	20,00	2,47	45,0	1270	4951

LA 90X

Mn_2 [Nm]	i	Pn_1 [kW]	n2 [rpm]	Fr1 [N]	Fr2 [N]
407	25,00	1,92	36,0	1270	5333
485	30,00	2,00	30,0	1270	5667
451	40,00	1,48	23,0	1270	6238
429	50,00	1,17	18,0	1270	6719
385	60,00	0,93	15,0	1270	7140
315	80,00	0,62	11,0	1270	7859
280	100,00	0,48	9,0	1270	8180

LA 30X

Mn_2 [Nm]	i	Pn_1 [kW]	n_2 [rpm]	Fr_1 [N]	Fr_2 [N]
25	5,00	0,31	100,0	210	841
25	7,50	0,22	67,0	210	963
25	10,00	0,17	50,0	210	1060
25	15,00	0,12	33,0	210	1213
23	20,00	0,09	25,0	210	1336
30	25,00	0,10	20,0	210	1439
27	30,00	0,08	17,0	210	1529
24	40,00	0,06	13,0	210	1683
22	50,00	0,05	10,0	210	1813
19	60,00	0,04	8,0	210	1830
17	80,00	0,03	6,0	210	1830

LA 40X

Mn_2 [Nm]	i	Pn_1 [kW]	n_2 [rpm]	Fr_1 [N]	Fr_2 [N]
52	5,00	0,63	100,0	350	1619
56	7,50	0,47	67,0	350	1853
59	10,00	0,38	50,0	350	2040
61	15,00	0,28	33,0	350	2335
57	20,00	0,20	25,0	350	2570
51	25,00	0,15	20,0	350	2769
62	30,00	0,17	17,0	350	2942
58	40,00	0,13	13,0	350	3238
53	50,00	0,10	10,0	350	3488
48	60,00	0,08	8,0	350	3490
40	80,00	0,06	6,0	350	3490
36	100,00	0,05	5,0	350	3490

LA 50X

Mn_2 [Nm]	i	Pn_1 [kW]	n_2 [rpm]	Fr_1 [N]	Fr_2 [N]
101	5,00	1,23	100,0	490	2222
112	7,50	0,93	67,0	490	2544
113	10,00	0,72	50,0	490	2800
113	15,00	0,51	33,0	490	3205
100	20,00	0,35	25,0	490	3528
92	25,00	0,28	20,0	490	3800
113	30,00	0,30	17,0	490	4038
105	40,00	0,23	13,0	490	4445
96	50,00	0,18	10,0	490	4788
87	60,00	0,15	8,0	490	4840

LA 50X

Mn_2 [Nm]	i	Pn_1 [kW]	n_2 [rpm]	Fr1 [N]	Fr2 [N]
75	80,00	0,11	6,0	490	4840
65	100,00	0,08	5,0	490	4840

LA 63X

Mn_2 [Nm]	i	Pn_1 [kW]	n_2 [rpm]	Fr1 [N]	Fr2 [N]
184	7,50	1,49	67,0	700	3325
185	10,00	1,18	50,0	700	3660
200	15,00	0,90	33,0	700	4190
194	20,00	0,68	25,0	700	4611
178	25,00	0,52	20,0	700	4967
213	30,00	0,56	17,0	700	5279
206	40,00	0,44	13,0	700	5810
195	50,00	0,36	10,0	700	6259
180	60,00	0,29	8,0	700	6270
151	80,00	0,21	6,0	700	6270
128	100,00	0,16	5,0	700	6270

LA 75X

Mn_2 [Nm]	i	Pn_1 [kW]	n_2 [rpm]	Fr1 [N]	Fr2 [N]
260	7,50	2,14	67,0	980	3925
270	10,00	1,70	50,0	980	4320
318	15,00	1,39	33,0	980	4945
326	20,00	1,11	25,0	980	5443
293	25,00	0,83	20,0	980	5863
344	30,00	0,87	17,0	980	6231
337	40,00	0,69	13,0	980	6858
314	50,00	0,55	10,0	980	7380
301	60,00	0,46	8,0	980	7380
247	80,00	0,32	6,0	980	7380
210	100,00	0,24	5,0	980	7380

LA 90X

Mn_2 [Nm]	i	Pn_1 [kW]	n_2 [rpm]	Fr1 [N]	Fr2 [N]
451	7,50	3,66	67,0	1270	4343
479	10,00	2,95	50,0	1270	4780
539	15,00	2,29	33,0	1270	5472
517	20,00	1,71	25,0	1270	6022

LA 90X

Mn_2 [Nm]	i	Pn_1 [kW]	n_2 [rpm]	Fr_1 [N]	Fr_2 [N]
484	25,00	1,33	20,0	1270	6487
579	30,00	1,40	17,0	1270	6894
528	40,00	1,03	13,0	1270	7588
495	50,00	0,81	10,0	1270	8174
440	60,00	0,64	8,0	1270	8180
365	80,00	0,44	6,0	1270	8180
330	100,00	0,35	5,0	1270	8180

LA+LAC 30+40X

Mn ₂ [Nm]	i	Pn ₁ [kW]	n ₂ [rpm]	Fr1 [N]	Fr2 [N]
71	100,00	0,31	28,0	140	2769
72	150,00	0,22	18,7	140	3169
65	200,00	0,16	14,0	140	3488
61	250,00	0,13	11,2	140	3490
73	300,00	0,14	9,3	140	3490
65	400,00	0,10	7,0	140	3490
61	500,00	0,07	5,6	146	3490
73	600,00	0,08	4,7	146	3490
73	750,00	0,06	3,7	210	3490
73	900,00	0,06	3,1	210	3490
73	1200,00	0,04	2,3	127	3490
73	1500,00	0,04	1,9	128	3490
73	1800,00	0,03	1,6	126	3490
65	2400,00	0,03	1,2	126	3490
60	3000,00	0,02	0,9	126	3490
48	4000,00	0,01	0,7	128	3490
43	5000,00	0,01	0,6	128	3490

LA+LAC 30+50X

Mn ₂ [Nm]	i	Pn ₁ [kW]	n ₂ [rpm]	Fr1 [N]	Fr2 [N]
103	100,00	0,44	28,0	140	3800
135	150,00	0,42	18,7	140	4350
120	200,00	0,30	14,0	140	4788
110	250,00	0,23	11,2	140	4840
145	300,00	0,27	9,3	140	4840
124	400,00	0,20	7,0	140	4840
120	500,00	0,16	5,6	140	4840
145	600,00	0,15	4,7	146	4840
145	750,00	0,13	3,7	210	4840
145	900,00	0,11	3,1	210	4840
145	1200,00	0,09	2,3	127	4840
145	1500,00	0,07	1,9	128	4840
145	1800,00	0,07	1,6	126	4840
124	2400,00	0,05	1,2	126	4840
120	3000,00	0,04	0,9	126	4840
82	4000,00	0,02	0,7	128	4840
79	5000,00	0,02	0,6	128	4840

LA+LAC 30+63X

Mn_2 [Nm]	i	Pn_1 [kW]	n_2 [rpm]	Fr_1 [N]	Fr_2 [N]
103	100,00	0,44	28,0	140	4967
103	150,00	0,31	18,7	140	4967
95	200,00	0,22	14,0	146	4967
126	250,00	0,25	11,2	210	4967
255	300,00	0,51	9,3	125	6270
255	400,00	0,39	7,0	140	6270
236	500,00	0,31	5,6	140	6270
220	600,00	0,22	4,7	146	6270
271	750,00	0,23	3,7	210	6270
271	900,00	0,20	3,1	210	6270
256	1200,00	0,15	2,3	127	6270
238	1500,00	0,12	1,9	128	6270
220	1800,00	0,10	1,6	126	6270
255	2400,00	0,09	1,2	126	6270
236	3000,00	0,08	0,9	126	6270
236	4000,00	0,06	0,7	130	6270
150	5000,00	0,04	0,6	128	6270

LA+LAC 40+75X

Mn_2 [Nm]	i	Pn_1 [kW]	n_2 [rpm]	Fr_1 [N]	Fr_2 [N]
232	100,00	0,97	28,0	272	5863
331	150,00	0,97	18,7	272	6712
418	200,00	0,97	14,0	272	7380
380	250,00	0,73	11,2	272	7380
444	300,00	0,77	9,3	272	7380
414	400,00	0,58	7,0	272	7380
368	500,00	0,45	5,6	272	7380
444	600,00	0,41	4,7	204	7380
444	750,00	0,34	3,7	236	7380
444	900,00	0,29	3,1	350	7380
444	1200,00	0,23	2,3	350	7380
444	1500,00	0,20	1,9	350	7380
444	1800,00	0,17	1,6	350	7380
414	2400,00	0,13	1,2	350	7380
368	3000,00	0,10	0,9	350	7380
368	4000,00	0,08	0,7	350	7380
368	5000,00	0,07	0,6	350	7380

LA+LAC 40+90X

Mn_2 [Nm]	i	Pn_1 [kW]	n2 [rpm]	Fr1 [N]	Fr2 [N]
238	100,00	0,97	28,0	272	6487
254	150,00	0,71	18,7	291	6487
238	200,00	0,51	14,0	204	6487
522	250,00	0,97	11,2	272	8180
583	300,00	0,97	9,3	272	8180
610	400,00	0,82	7,0	272	8180
560	500,00	0,64	5,6	272	8180
583	600,00	0,51	4,7	204	8180
563	750,00	0,41	3,7	236	8180
683	900,00	0,43	3,1	350	8180
623	1200,00	0,31	2,3	350	8180
603	1500,00	0,25	1,9	350	8180
563	1800,00	0,21	1,6	350	8180
610	2400,00	0,18	1,2	350	8180
560	3000,00	0,14	0,9	350	8180
560	4000,00	0,12	0,7	350	8180
560	5000,00	0,10	0,6	350	8180

LA+LAC 50+90X

Mn_2 [Nm]	i	Pn_1 [kW]	n2 [rpm]	Fr1 [N]	Fr2 [N]
443	100,00	1,78	28,0	378	6487
632	150,00	1,78	18,7	378	7426
610	200,00	1,34	14,0	378	8174
570	250,00	1,04	11,2	378	8180
700	300,00	1,15	9,3	378	8180
610	400,00	0,81	7,0	378	8180
570	500,00	0,56	5,6	417	8180
700	600,00	0,62	4,7	417	8180
700	750,00	0,50	3,7	482	8180
700	900,00	0,44	3,1	490	8180
700	1200,00	0,34	2,3	490	8180
700	1500,00	0,29	1,9	490	8180
700	1800,00	0,25	1,6	490	8180
610	2400,00	0,18	1,2	490	8180
560	3000,00	0,14	0,9	490	8180
560	4000,00	0,11	0,7	490	8180
560	5000,00	0,10	0,6	490	8180

LA+LAC 30+40X

Mn ₂ [Nm]	i	Pn ₁ [kW]	n ₂ [rpm]	Fr1 [N]	Fr2 [N]
71	100,00	0,20	17,5	169	2769
72	150,00	0,15	11,7	169	3169
65	200,00	0,10	8,8	169	3488
61	250,00	0,08	7,0	169	3490
73	300,00	0,09	5,8	169	3490
65	400,00	0,07	4,4	169	3490
61	500,00	0,05	3,5	179	3490
73	600,00	0,05	2,9	179	3490
73	750,00	0,04	2,3	210	3490
73	900,00	0,04	1,9	210	3490
73	1200,00	0,03	1,5	210	3490
73	1500,00	0,03	1,2	210	3490
73	1800,00	0,02	1,0	210	3490
65	2400,00	0,02	0,7	210	3490
60	3000,00	0,01	0,6	210	3490
48	4000,00	0,01	0,4	210	3490
43	5000,00	0,01	0,4	210	3490

LA+LAC 30+50X

Mn ₂ [Nm]	i	Pn ₁ [kW]	n ₂ [rpm]	Fr1 [N]	Fr2 [N]
137	100,00	0,38	17,5	169	3800
135	150,00	0,27	11,7	169	4350
120	200,00	0,19	8,8	169	4788
110	250,00	0,15	7,0	169	4840
145	300,00	0,18	5,8	169	4840
124	400,00	0,13	4,4	169	4840
120	500,00	0,11	3,5	169	4840
145	600,00	0,10	2,9	179	4840
145	750,00	0,09	2,3	210	4840
145	900,00	0,07	1,9	210	4840
145	1200,00	0,06	1,5	210	4840
145	1500,00	0,05	1,2	210	4840
145	1800,00	0,05	1,0	210	4840
124	2400,00	0,03	0,7	210	4840
120	3000,00	0,03	0,6	210	4840
82	4000,00	0,02	0,4	210	4840
79	5000,00	0,01	0,4	210	4840

LA+LAC 30+63X

Mn_2 [Nm]	i	Pn_1 [kW]	n2 [rpm]	Fr1 [N]	Fr2 [N]
143	100,00	0,40	17,5	169	4967
143	150,00	0,28	11,7	169	4967
135	200,00	0,21	8,8	179	4967
165	250,00	0,22	7,0	210	4967
255	300,00	0,33	5,8	150	6270
255	400,00	0,25	4,4	169	6270
236	500,00	0,20	3,5	169	6270
271	600,00	0,18	2,9	179	6270
271	750,00	0,16	2,3	210	6270
271	900,00	0,14	1,9	210	6270
271	1200,00	0,11	1,5	210	6270
271	1500,00	0,10	1,2	210	6270
271	1800,00	0,09	1,0	210	6270
255	2400,00	0,07	0,7	210	6270
236	3000,00	0,05	0,6	210	6270
236	4000,00	0,05	0,4	210	6270
150	5000,00	0,03	0,4	210	6270

LA+LAC 40+75X

Mn_2 [Nm]	i	Pn_1 [kW]	n2 [rpm]	Fr1 [N]	Fr2 [N]
335	100,00	0,90	17,5	343	5863
425	150,00	0,80	11,7	343	6712
420	200,00	0,63	8,8	343	7380
380	250,00	0,47	7,0	343	7380
444	300,00	0,50	5,8	343	7380
414	400,00	0,38	4,4	343	7380
368	500,00	0,29	3,5	343	7380
444	600,00	0,27	2,9	350	7380
444	750,00	0,22	2,3	350	7380
444	900,00	0,20	1,9	350	7380
444	1200,00	0,16	1,5	350	7380
444	1500,00	0,13	1,2	350	7380
444	1800,00	0,12	1,0	350	7380
414	2400,00	0,09	0,7	350	7380
368	3000,00	0,07	0,6	350	7380
368	4000,00	0,06	0,4	350	7380
368	5000,00	0,05	0,4	350	7380

LA+LAC 40+90X

Mn_2 [Nm]	i	Pn_1 [kW]	n2 [rpm]	Fr1 [N]	Fr2 [N]
343	100,00	0,90	17,5	343	6487
343	150,00	0,62	11,7	343	6487
335	200,00	0,47	8,8	350	6487
570	250,00	0,68	7,0	343	8180
700	300,00	0,75	5,8	343	8180
610	400,00	0,53	4,4	343	8180
560	500,00	0,42	3,5	343	8180
700	600,00	0,40	2,9	350	8180
700	750,00	0,34	2,3	350	8180
700	900,00	0,30	1,9	350	8180
700	1200,00	0,24	1,5	350	8180
700	1500,00	0,20	1,2	350	8180
700	1800,00	0,18	1,0	350	8180
610	2400,00	0,13	0,7	350	8180
560	3000,00	0,10	0,6	350	8180
560	4000,00	0,08	0,4	350	8180
560	5000,00	0,07	0,4	350	8180

LA+LAC 50+90X

Mn_2 [Nm]	i	Pn_1 [kW]	n2 [rpm]	Fr1 [N]	Fr2 [N]
590	100,00	1,52	17,5	490	6487
660	150,00	1,19	11,7	490	7426
610	200,00	0,86	8,8	490	8174
570	250,00	0,67	7,0	490	8180
700	300,00	0,73	5,8	490	8180
610	400,00	0,52	4,4	490	8180
570	500,00	0,36	3,5	490	8180
700	600,00	0,40	2,9	490	8180
700	750,00	0,33	2,3	490	8180
700	900,00	0,29	1,9	490	8180
700	1200,00	0,23	1,5	490	8180
700	1500,00	0,20	1,2	490	8180
700	1800,00	0,18	1,0	490	8180
610	2400,00	0,13	0,7	490	8180
560	3000,00	0,10	0,6	490	8180
560	4000,00	0,08	0,4	490	8180
560	5000,00	0,07	0,4	490	8180

LA+LAC 30+40X

Mn_2 [Nm]	i	Pn_1 [kW]	n_2 [rpm]	Fr_1 [N]	Fr_2 [N]
71	100,00	0,16	14,0	169	2769
72	150,00	0,12	9,3	169	3169
65	200,00	0,08	7,0	169	3488
61	250,00	0,07	5,6	169	3490
73	300,00	0,07	4,7	169	3490
65	400,00	0,05	3,5	169	3490
61	500,00	0,04	2,8	180	3490
73	600,00	0,04	2,3	180	3490
73	750,00	0,04	1,9	210	3490
73	900,00	0,03	1,6	210	3490
73	1200,00	0,03	1,2	210	3490
73	1500,00	0,02	0,9	210	3490
73	1800,00	0,02	0,8	210	3490
65	2400,00	0,01	0,6	210	3490
60	3000,00	0,01	0,5	210	3490
48	4000,00	0,01	0,4	210	3490
43	5000,00	0,01	0,3	210	3490

LA+LAC 30+50X

Mn_2 [Nm]	i	Pn_1 [kW]	n_2 [rpm]	Fr_1 [N]	Fr_2 [N]
137	100,00	0,31	14,0	169	3800
135	150,00	0,22	9,3	169	4350
120	200,00	0,15	7,0	169	4788
110	250,00	0,12	5,6	169	4840
145	300,00	0,14	4,7	169	4840
124	400,00	0,10	3,5	169	4840
120	500,00	0,08	2,8	169	4840
145	600,00	0,08	2,3	180	4840
145	750,00	0,07	1,9	210	4840
145	900,00	0,06	1,6	210	4840
145	1200,00	0,05	1,2	210	4840
145	1500,00	0,04	0,9	210	4840
145	1800,00	0,04	0,8	210	4840
124	2400,00	0,03	0,6	210	4840
120	3000,00	0,02	0,5	210	4840
82	4000,00	0,01	0,4	210	4840
79	5000,00	0,01	0,3	210	4840

LA+LAC 30+63X

Mn_2 [Nm]	i	Pn_1 [kW]	n2 [rpm]	Fr1 [N]	Fr2 [N]
150	100,00	0,34	14,0	169	4967
150	150,00	0,24	9,3	169	4967
142	200,00	0,18	7,0	180	4967
174	250,00	0,19	5,6	210	4967
255	300,00	0,26	4,7	150	6270
255	400,00	0,20	3,5	169	6270
236	500,00	0,16	2,8	169	6270
271	600,00	0,15	2,3	180	6270
271	750,00	0,13	1,9	210	6270
271	900,00	0,11	1,6	210	6270
271	1200,00	0,09	1,2	210	6270
271	1500,00	0,08	0,9	210	6270
271	1800,00	0,07	0,8	210	6270
255	2400,00	0,05	0,6	210	6270
236	3000,00	0,04	0,5	210	6270
236	4000,00	0,04	0,4	210	6270
150	5000,00	0,02	0,3	210	6270

LA+LAC 40+75X

Mn_2 [Nm]	i	Pn_1 [kW]	n2 [rpm]	Fr1 [N]	Fr2 [N]
352	100,00	0,76	14,0	344	5863
425	150,00	0,64	9,3	344	6712
420	200,00	0,50	7,0	344	7380
380	250,00	0,38	5,6	344	7380
444	300,00	0,40	4,7	344	7380
414	400,00	0,30	3,5	344	7380
368	500,00	0,24	2,8	344	7380
444	600,00	0,21	2,3	350	7380
444	750,00	0,18	1,9	350	7380
444	900,00	0,16	1,6	350	7380
444	1200,00	0,13	1,2	350	7380
444	1500,00	0,11	0,9	350	7380
444	1800,00	0,10	0,8	350	7380
414	2400,00	0,07	0,6	350	7380
368	3000,00	0,06	0,5	350	7380
368	4000,00	0,05	0,4	350	7380
368	5000,00	0,04	0,3	350	7380

LA+LAC 40+90X

Mn_2 [Nm]	i	Pn_1 [kW]	n2 [rpm]	Fr1 [N]	Fr2 [N]
361	100,00	0,76	14,0	344	6487
361	150,00	0,52	9,3	344	6487
353	200,00	0,40	7,0	350	6487
570	250,00	0,55	5,6	344	8180
700	300,00	0,60	4,7	344	8180
610	400,00	0,42	3,5	344	8180
560	500,00	0,33	2,8	344	8180
700	600,00	0,32	2,3	350	8180
700	750,00	0,27	1,9	350	8180
700	900,00	0,24	1,6	350	8180
700	1200,00	0,19	1,2	350	8180
700	1500,00	0,16	0,9	350	8180
700	1800,00	0,14	0,8	350	8180
610	2400,00	0,10	0,6	350	8180
560	3000,00	0,08	0,5	350	8180
560	4000,00	0,07	0,4	350	8180
560	5000,00	0,06	0,3	350	8180

LA+LAC 50+90X

Mn_2 [Nm]	i	Pn_1 [kW]	n2 [rpm]	Fr1 [N]	Fr2 [N]
590	100,00	1,21	14,0	490	6487
660	150,00	0,95	9,3	490	7426
610	200,00	0,69	7,0	490	8174
570	250,00	0,53	5,6	490	8180
700	300,00	0,59	4,7	490	8180
610	400,00	0,41	3,5	490	8180
570	500,00	0,29	2,8	490	8180
700	600,00	0,32	2,3	490	8180
700	750,00	0,27	1,9	490	8180
700	900,00	0,23	1,6	490	8180
700	1200,00	0,19	1,2	490	8180
700	1500,00	0,16	0,9	490	8180
700	1800,00	0,14	0,8	490	8180
610	2400,00	0,10	0,6	490	8180
560	3000,00	0,08	0,5	490	8180
560	4000,00	0,07	0,4	490	8180
560	5000,00	0,06	0,3	490	8180

LA+LAC 30+40X

Mn_2 [Nm]	i	Pn_1 [kW]	n_2 [rpm]	Fr_1 [N]	Fr_2 [N]
71	100,00	0,13	11,4	197	2769
72	150,00	0,10	7,6	197	3169
65	200,00	0,07	5,7	197	3488
61	250,00	0,05	4,6	197	3490
73	300,00	0,06	3,8	197	3490
65	400,00	0,04	2,9	197	3490
61	500,00	0,03	2,3	210	3490
73	600,00	0,03	1,9	210	3490
73	750,00	0,03	1,5	210	3490
73	900,00	0,03	1,3	210	3490
73	1200,00	0,02	1,0	210	3490
73	1500,00	0,02	0,8	210	3490
73	1800,00	0,02	0,6	210	3490
65	2400,00	0,01	0,5	210	3490
60	3000,00	0,01	0,4	210	3490
48	4000,00	0,01	0,3	210	3490
43	5000,00	0,01	0,2	210	3490

LA+LAC 30+50X

Mn_2 [Nm]	i	Pn_1 [kW]	n_2 [rpm]	Fr_1 [N]	Fr_2 [N]
137	100,00	0,25	11,4	197	3800
135	150,00	0,18	7,6	197	4350
120	200,00	0,13	5,7	197	4788
110	250,00	0,10	4,6	197	4840
145	300,00	0,12	3,8	197	4840
124	400,00	0,08	2,9	197	4840
120	500,00	0,07	2,3	197	4840
145	600,00	0,07	1,9	210	4840
145	750,00	0,06	1,5	210	4840
145	900,00	0,05	1,3	210	4840
145	1200,00	0,04	1,0	210	4840
145	1500,00	0,04	0,8	210	4840
145	1800,00	0,03	0,6	210	4840
124	2400,00	0,02	0,5	210	4840
120	3000,00	0,02	0,4	210	4840
82	4000,00	0,01	0,3	210	4840
79	5000,00	0,01	0,2	210	4840

LA+LAC 30+63X

Mn_2 [Nm]	i	Pn_1 [kW]	n_2 [rpm]	Fr_1 [N]	Fr_2 [N]
158	100,00	0,29	11,4	197	4967
158	150,00	0,21	7,6	197	4967
150	200,00	0,16	5,7	210	4967
182	250,00	0,16	4,6	210	4967
255	300,00	0,22	3,8	175	6270
255	400,00	0,17	2,9	197	6270
236	500,00	0,13	2,3	197	6270
271	600,00	0,12	1,9	210	6270
271	750,00	0,11	1,5	210	6270
271	900,00	0,09	1,3	210	6270
271	1200,00	0,08	1,0	210	6270
271	1500,00	0,07	0,8	210	6270
271	1800,00	0,06	0,6	210	6270
255	2400,00	0,04	0,5	210	6270
236	3000,00	0,04	0,4	210	6270
236	4000,00	0,03	0,3	210	6270
150	5000,00	0,02	0,2	210	6270

LA+LAC 40+75X

Mn_2 [Nm]	i	Pn_1 [kW]	n_2 [rpm]	Fr_1 [N]	Fr_2 [N]
368	100,00	0,65	11,4	350	5863
425	150,00	0,53	7,6	350	6712
420	200,00	0,41	5,7	350	7380
380	250,00	0,31	4,6	350	7380
444	300,00	0,33	3,8	350	7380
414	400,00	0,25	2,9	350	7380
368	500,00	0,19	2,3	350	7380
444	600,00	0,18	1,9	350	7380
444	750,00	0,15	1,5	350	7380
444	900,00	0,13	1,3	350	7380
444	1200,00	0,11	1,0	350	7380
444	1500,00	0,09	0,8	350	7380
444	1800,00	0,08	0,6	350	7380
414	2400,00	0,06	0,5	350	7380
368	3000,00	0,05	0,4	350	7380
368	4000,00	0,04	0,3	350	7380
368	5000,00	0,04	0,2	350	7380

LA+LAC 40+90X

Mn_2 [Nm]	i	Pn_1 [kW]	n2 [rpm]	Fr1 [N]	Fr2 [N]
377	100,00	0,65	11,4	350	6487
385	150,00	0,46	7,6	350	6487
373	200,00	0,35	5,7	350	6487
570	250,00	0,45	4,6	350	8180
700	300,00	0,49	3,8	350	8180
610	400,00	0,35	2,9	350	8180
560	500,00	0,27	2,3	350	8180
700	600,00	0,27	1,9	350	8180
700	750,00	0,22	1,5	350	8180
700	900,00	0,20	1,3	350	8180
700	1200,00	0,16	1,0	350	8180
700	1500,00	0,14	0,8	350	8180
700	1800,00	0,12	0,6	350	8180
610	2400,00	0,09	0,5	350	8180
560	3000,00	0,07	0,4	350	8180
560	4000,00	0,06	0,3	350	8180
560	5000,00	0,05	0,2	350	8180

LA+LAC 50+90X

Mn_2 [Nm]	i	Pn_1 [kW]	n2 [rpm]	Fr1 [N]	Fr2 [N]
590	100,00	1,00	11,4	490	6487
660	150,00	0,78	7,6	490	7426
610	200,00	0,56	5,7	490	8174
570	250,00	0,44	4,6	490	8180
700	300,00	0,48	3,8	490	8180
610	400,00	0,34	2,9	490	8180
570	500,00	0,24	2,3	490	8180
700	600,00	0,26	1,9	490	8180
700	750,00	0,22	1,5	490	8180
700	900,00	0,20	1,3	490	8180
700	1200,00	0,16	1,0	490	8180
700	1500,00	0,13	0,8	490	8180
700	1800,00	0,12	0,6	490	8180
610	2400,00	0,08	0,5	490	8180
560	3000,00	0,07	0,4	490	8180
560	4000,00	0,06	0,3	490	8180
560	5000,00	0,05	0,2	490	8180

LA+LAC 30+40X

Mn ₂ [Nm]	i	Pn ₁ [kW]	n ₂ [rpm]	Fr1 [N]	Fr2 [N]
71	100,00	0,11	9,0	197	2769
72	150,00	0,08	6,0	197	3169
65	200,00	0,05	4,5	197	3488
61	250,00	0,04	3,6	197	3490
73	300,00	0,05	3,0	197	3490
65	400,00	0,04	2,3	197	3490
61	500,00	0,03	1,8	210	3490
73	600,00	0,03	1,5	210	3490
73	750,00	0,02	1,2	210	3490
73	900,00	0,02	1,0	210	3490
73	1200,00	0,02	0,8	210	3490
73	1500,00	0,01	0,6	210	3490
73	1800,00	0,01	0,5	210	3490
65	2400,00	0,01	0,4	210	3490
60	3000,00	0,01	0,3	210	3490
48	4000,00	0,01	0,2	210	3490
43	5000,00	0,00	0,2	210	3490

LA+LAC 30+50X

Mn ₂ [Nm]	i	Pn ₁ [kW]	n ₂ [rpm]	Fr1 [N]	Fr2 [N]
137	100,00	0,20	9,0	197	3800
135	150,00	0,14	6,0	197	4350
120	200,00	0,10	4,5	197	4788
110	250,00	0,08	3,6	197	4840
145	300,00	0,09	3,0	197	4840
124	400,00	0,07	2,3	197	4840
120	500,00	0,06	1,8	197	4840
145	600,00	0,05	1,5	210	4840
145	750,00	0,05	1,2	210	4840
145	900,00	0,04	1,0	210	4840
145	1200,00	0,03	0,8	210	4840
145	1500,00	0,03	0,6	210	4840
145	1800,00	0,03	0,5	210	4840
124	2400,00	0,02	0,4	210	4840
120	3000,00	0,02	0,3	210	4840
82	4000,00	0,01	0,2	210	4840
79	5000,00	0,01	0,2	210	4840

LA+LAC 30+63X

Mn_2 [Nm]	i	Pn_1 [kW]	n2 [rpm]	Fr1 [N]	Fr2 [N]
166	100,00	0,24	9,0	197	4967
166	150,00	0,18	6,0	197	4967
158	200,00	0,13	4,5	210	4967
190	250,00	0,14	3,6	210	4967
255	300,00	0,17	3,0	175	6270
255	400,00	0,13	2,3	197	6270
236	500,00	0,11	1,8	197	6270
271	600,00	0,10	1,5	210	6270
271	750,00	0,09	1,2	210	6270
271	900,00	0,08	1,0	210	6270
271	1200,00	0,06	0,8	210	6270
271	1500,00	0,05	0,6	210	6270
271	1800,00	0,05	0,5	210	6270
255	2400,00	0,04	0,4	210	6270
236	3000,00	0,03	0,3	210	6270
236	4000,00	0,03	0,2	210	6270
150	5000,00	0,01	0,2	210	6270

LA+LAC 40+75X

Mn_2 [Nm]	i	Pn_1 [kW]	n2 [rpm]	Fr1 [N]	Fr2 [N]
384	100,00	0,55	9,0	350	5863
425	150,00	0,42	6,0	350	6712
420	200,00	0,33	4,5	350	7380
380	250,00	0,25	3,6	350	7380
444	300,00	0,26	3,0	350	7380
414	400,00	0,20	2,3	350	7380
368	500,00	0,15	1,8	350	7380
444	600,00	0,14	1,5	350	7380
444	750,00	0,12	1,2	350	7380
444	900,00	0,11	1,0	350	7380
444	1200,00	0,09	0,8	350	7380
444	1500,00	0,08	0,6	350	7380
444	1800,00	0,07	0,5	350	7380
414	2400,00	0,05	0,4	350	7380
368	3000,00	0,04	0,3	350	7380
368	4000,00	0,03	0,2	350	7380
368	5000,00	0,03	0,2	350	7380

LA+LAC 40+90X

Mn_2 [Nm]	i	Pn_1 [kW]	n2 [rpm]	Fr1 [N]	Fr2 [N]
394	100,00	0,55	9,0	350	6487
410	150,00	0,40	6,0	350	6487
394	200,00	0,30	4,5	350	6487
570	250,00	0,36	3,6	350	8180
700	300,00	0,40	3,0	350	8180
610	400,00	0,28	2,3	350	8180
560	500,00	0,22	1,8	350	8180
700	600,00	0,22	1,5	350	8180
700	750,00	0,18	1,2	350	8180
700	900,00	0,16	1,0	350	8180
700	1200,00	0,13	0,8	350	8180
700	1500,00	0,11	0,6	350	8180
700	1800,00	0,10	0,5	350	8180
610	2400,00	0,07	0,4	350	8180
560	3000,00	0,06	0,3	350	8180
560	4000,00	0,05	0,2	350	8180
560	5000,00	0,04	0,2	350	8180

LA+LAC 50+90X

Mn_2 [Nm]	i	Pn_1 [kW]	n2 [rpm]	Fr1 [N]	Fr2 [N]
590	100,00	0,80	9,0	490	6487
660	150,00	0,63	6,0	490	7426
610	200,00	0,45	4,5	490	8174
570	250,00	0,35	3,6	490	8180
700	300,00	0,39	3,0	490	8180
610	400,00	0,27	2,3	490	8180
570	500,00	0,19	1,8	490	8180
700	600,00	0,21	1,5	490	8180
700	750,00	0,18	1,2	490	8180
700	900,00	0,16	1,0	490	8180
700	1200,00	0,13	0,8	490	8180
700	1500,00	0,11	0,6	490	8180
700	1800,00	0,10	0,5	490	8180
610	2400,00	0,07	0,4	490	8180
560	3000,00	0,05	0,3	490	8180
560	4000,00	0,04	0,2	490	8180
560	5000,00	0,04	0,2	490	8180

LA+LAC 30+40X

Mn ₂ [Nm]	i	Pn ₁ [kW]	n ₂ [rpm]	Fr1 [N]	Fr2 [N]
71	100,00	0,06	5,0	210	2769
72	150,00	0,04	3,3	210	3169
65	200,00	0,03	2,5	210	3488
61	250,00	0,03	2,0	210	3490
73	300,00	0,03	1,7	210	3490
65	400,00	0,02	1,3	210	3490
61	500,00	0,01	1,0	210	3490
73	600,00	0,02	0,8	210	3490
73	750,00	0,01	0,7	210	3490
73	900,00	0,01	0,6	210	3490
73	1200,00	0,01	0,4	210	3490
73	1500,00	0,01	0,3	210	3490
73	1800,00	0,01	0,3	210	3490
65	2400,00	0,01	0,2	210	3490
60	3000,00	0,01	0,2	210	3490
48	4000,00	0,00	0,1	210	3490
43	5000,00	0,00	0,1	210	3490

LA+LAC 30+50X

Mn ₂ [Nm]	i	Pn ₁ [kW]	n ₂ [rpm]	Fr1 [N]	Fr2 [N]
137	100,00	0,12	5,0	210	3800
135	150,00	0,08	3,3	210	4350
120	200,00	0,06	2,5	210	4788
110	250,00	0,04	2,0	210	4840
145	300,00	0,05	1,7	210	4840
124	400,00	0,04	1,3	210	4840
120	500,00	0,03	1,0	210	4840
145	600,00	0,03	0,8	210	4840
145	750,00	0,03	0,7	210	4840
145	900,00	0,02	0,6	210	4840
145	1200,00	0,02	0,4	210	4840
145	1500,00	0,02	0,3	210	4840
145	1800,00	0,02	0,3	210	4840
124	2400,00	0,01	0,2	210	4840
120	3000,00	0,01	0,2	210	4840
82	4000,00	0,01	0,1	210	4840
79	5000,00	0,01	0,1	210	4840

LA+LAC 30+63X

Mn_2 [Nm]	i	Pn_1 [kW]	n2 [rpm]	Fr1 [N]	Fr2 [N]
198	100,00	0,17	5,0	210	4967
198	150,00	0,12	3,3	210	4967
182	200,00	0,09	2,5	210	4967
237	250,00	0,10	2,0	210	4967
255	300,00	0,10	1,7	210	6270
255	400,00	0,08	1,3	210	6270
236	500,00	0,06	1,0	210	6270
271	600,00	0,06	0,8	210	6270
271	750,00	0,05	0,7	210	6270
271	900,00	0,04	0,6	210	6270
271	1200,00	0,04	0,4	210	6270
271	1500,00	0,03	0,3	210	6270
271	1800,00	0,03	0,3	210	6270
255	2400,00	0,02	0,2	210	6270
236	3000,00	0,02	0,2	210	6270
236	4000,00	0,02	0,1	210	6270
150	5000,00	0,01	0,1	210	6270

LA+LAC 40+75X

Mn_2 [Nm]	i	Pn_1 [kW]	n2 [rpm]	Fr1 [N]	Fr2 [N]
405	100,00	0,33	5,0	350	5863
425	150,00	0,24	3,3	350	6712
420	200,00	0,19	2,5	350	7380
380	250,00	0,14	2,0	350	7380
444	300,00	0,15	1,7	350	7380
414	400,00	0,11	1,3	350	7380
368	500,00	0,09	1,0	350	7380
444	600,00	0,08	0,8	350	7380
444	750,00	0,07	0,7	350	7380
444	900,00	0,06	0,6	350	7380
444	1200,00	0,05	0,4	350	7380
444	1500,00	0,04	0,3	350	7380
444	1800,00	0,04	0,3	350	7380
414	2400,00	0,03	0,2	350	7380
368	3000,00	0,02	0,2	350	7380
368	4000,00	0,02	0,1	350	7380
368	5000,00	0,02	0,1	350	7380

LA+LAC 40+90X

Mn_2 [Nm]	i	Pn_1 [kW]	n2 [rpm]	Fr1 [N]	Fr2 [N]
484	100,00	0,38	5,0	350	6487
500	150,00	0,28	3,3	350	6487
467	200,00	0,20	2,5	350	6487
570	250,00	0,20	2,0	350	8180
700	300,00	0,23	1,7	350	8180
610	400,00	0,16	1,3	350	8180
560	500,00	0,12	1,0	350	8180
700	600,00	0,12	0,8	350	8180
700	750,00	0,10	0,7	350	8180
700	900,00	0,09	0,6	350	8180
700	1200,00	0,08	0,4	350	8180
700	1500,00	0,07	0,3	350	8180
700	1800,00	0,06	0,3	350	8180
610	2400,00	0,04	0,2	350	8180
560	3000,00	0,03	0,2	350	8180
560	4000,00	0,03	0,1	350	8180
560	5000,00	0,03	0,1	350	8180

LA+LAC 50+90X

Mn_2 [Nm]	i	Pn_1 [kW]	n2 [rpm]	Fr1 [N]	Fr2 [N]
590	100,00	0,46	5,0	490	6487
660	150,00	0,36	3,3	490	7426
610	200,00	0,26	2,5	490	8174
570	250,00	0,20	2,0	490	8180
700	300,00	0,22	1,7	490	8180
610	400,00	0,16	1,3	490	8180
570	500,00	0,11	1,0	490	8180
700	600,00	0,12	0,8	490	8180
700	750,00	0,10	0,7	490	8180
700	900,00	0,09	0,6	490	8180
700	1200,00	0,08	0,4	490	8180
700	1500,00	0,07	0,3	490	8180
700	1800,00	0,06	0,3	490	8180
610	2400,00	0,04	0,2	490	8180
560	3000,00	0,03	0,2	490	8180
560	4000,00	0,03	0,1	490	8180
560	5000,00	0,03	0,1	490	8180

0,09 kW

n2 [rpm]	M2 [Nm]	fs	i	Gear reducer	Motor		Fr2 [N]
					Size	Pole	
125,0	6	3,3	10,00	LWBC 30	56B	4	752
125,0	6	3,3	10,00	LWPC 30	56B	4	752
115,0	6	3,4	7,50	LWBC 30	63A	6	792
115,0	6	3,4	7,50	LWPC 30	63A	6	792
86,0	8	2,6	10,00	LWBC 30	63A	6	871
86,0	8	2,6	10,00	LWPC 30	63A	6	871
83,0	8	2,4	15,00	LWBC 30	56B	4	861
83,0	8	2,4	15,00	LWPC 30	56B	4	861
63,0	10	1,8	20,00	LWBC 30	56B	4	948
63,0	10	1,8	20,00	LWPC 30	56B	4	948
57,0	11	1,9	15,00	LWBC 30	63A	6	997
57,0	11	1,9	15,00	LWPC 30	63A	6	997
50,0	12	1,9	25,00	LWBC 30	56B	4	1021
50,0	12	1,9	25,00	LWPC 30	56B	4	1021
43,0	14	1,4	20,00	LWBC 30	63A	6	1098
43,0	15	3,2	20,00	LWBC 40	63A	6	2113
43,0	14	1,4	20,00	LWPC 30	63A	6	1098
43,0	15	3,2	20,00	LWPC 40	63A	6	2113
42,0	14	1,5	30,00	LWBC 30	56B	4	1085
42,0	14	1,5	30,00	LWPC 30	56B	4	1085
34,0	16	1,5	25,00	LWBC 30	63A	6	1183
34,0	18	2,5	25,00	LWBC 40	63A	6	2276
34,0	16	1,5	25,00	LWPC 30	63A	6	1183
34,0	18	2,5	25,00	LWPC 40	63A	6	2276
31,0	17	1,2	40,00	LWBC 30	56B	4	1194
31,0	17	1,2	40,00	LWPC 30	56B	4	1194
29,0	19	1,2	30,00	LWBC 30	63A	6	1257
29,0	20	2,6	30,00	LWBC 40	63A	6	2419
29,0	19	1,2	30,00	LWPC 30	63A	6	1257
29,0	20	2,6	30,00	LWPC 40	63A	6	2419
25,0	19	0,9	50,00	LWBC 30	56B	4	1286
25,0	22	1,9	50,00	LWBC 40	56B	4	2475
25,0	19	0,9	50,00	LWPC 30	56B	4	1286
25,0	22	1,9	50,00	LWPC 40	56B	4	2475
22,0	22	0,9	40,00	LWBC 30	63A	6	1383
22,0	25	2,0	40,00	LWBC 40	63A	6	2662
22,0	26	3,4	40,00	LWBC 50	63A	6	3654
22,0	22	0,9	40,00	LWPC 30	63A	6	1383
22,0	25	2,0	40,00	LWPC 40	63A	6	2662
22,0	26	3,4	40,00	LWPC 50	63A	6	3654
21,0	21	0,7	60,00	LWBC 30	56B	4	1367
21,0	24	1,6	60,00	LWBC 40	56B	4	2630

0,09 kW

n2 [rpm]	M2 [Nm]	fs	i	Gear reducer	Size	Motor Pole	Fr2 [N]
21,0	21	0,7	60,00	LWPC 30	56B	4	1367
21,0	24	1,6	60,00	LWPC 40	56B	4	2630
17,0	26	0,7	50,00	LWBC 30	63A	6	1490
17,0	29	1,6	50,00	LWBC 40	63A	6	2868
17,0	30	2,7	50,00	LWBC 50	63A	6	3936
17,0	26	0,7	50,00	LWPC 30	63A	6	1490
17,0	29	1,6	50,00	LWPC 40	63A	6	2868
17,0	30	2,7	50,00	LWPC 50	63A	6	3936
16,0	29	1,1	80,00	LWBC 40	56B	4	2895
16,0	29	1,1	80,00	LWPC 40	56B	4	2895
14,0	33	1,2	60,00	LWBC 40	63A	6	3047
14,0	34	2,3	60,00	LWBC 50	63A	6	4183
14,0	33	1,2	60,00	LWPC 40	63A	6	3047
14,0	34	2,3	60,00	LWPC 50	63A	6	4183
13,0	33	0,9	100,00	LWBC 40	56B	4	3118
13,0	33	0,9	100,00	LWPC 40	56B	4	3118
11,0	39	0,9	80,00	LWBC 40	63A	6	3354
11,0	40	1,7	80,00	LWBC 50	63A	6	4604
11,0	39	0,9	80,00	LWPC 40	63A	6	3354
11,0	40	1,7	80,00	LWPC 50	63A	6	4604
9,0	44	0,7	100,00	LWBC 40	63A	6	3490
9,0	45	1,2	100,00	LWBC 50	63A	6	4840
9,0	44	0,7	100,00	LWPC 40	63A	6	3490
9,0	45	1,2	100,00	LWPC 50	63A	6	4840
2,5	153	0,9	500,00	LWBC+LWBC 40+50	56B	4	3800
2,5	153	0,9	500,00	LWBC+LWPC 40+50	56B	4	3800
0,8	354	0,8	1500,00	LWBC+LWBC 40+63	56B	4	6270
0,8	354	0,8	1500,00	LWBC+LWPC 40+63	56B	4	6270
0,8	389	1,8	1500,00	LWBC+LXWC 40+90	56B	4	8180
0,7	437	1,6	1800,00	LWBC+LXWC 40+90	56B	4	8180
0,5	539	1,1	2400,00	LWBC+LXWC 40+90	56B	4	8180
0,4	630	0,9	3000,00	LWBC+LXWC 40+90	56B	4	8180
0,3	755	0,7	4000,00	LWBC+LXWC 40+90	56B	4	8180

0,12 kW

n2 [rpm]	M2 [Nm]	fs	i	Gear reducer	Size	Motor Pole	Fr2 [N]
265,0	4	3,5	10,00	LWBC 30	56B	2	597
265,0	4	3,5	10,00	LWPC 30	56B	2	597
179,0	5	3,5	7,50	LWBC 30	63A	4	683
179,0	5	3,5	7,50	LWPC 30	63A	4	683
177,0	5	2,4	15,00	LWBC 30	56B	2	683

0,12 kW

n ₂ [rpm]	M ₂ [Nm]	f _s	i	Gear reducer	Motor		Fr ₂ [N]
					Size	Pole	
177,0	5	2,4	15,00	LWPC 30	56B	2	683
172,0	6	3,7	5,00	LWBC 30	63B	6	692
172,0	6	3,7	5,00	LWPC 30	63B	6	692
134,0	7	2,7	10,00	LWBC 30	63A	4	752
134,0	7	2,7	10,00	LWPC 30	63A	4	752
133,0	7	1,8	20,00	LWBC 30	56B	2	752
133,0	7	1,8	20,00	LWPC 30	56B	2	752
115,0	8	2,5	7,50	LWBC 30	63B	6	792
115,0	8	2,5	7,50	LWPC 30	63B	6	792
106,0	8	2,0	25,00	LWBC 30	56B	2	810
106,0	8	2,0	25,00	LWPC 30	56B	2	810
89,0	10	1,9	15,00	LWBC 30	63A	4	861
89,0	10	1,9	15,00	LWPC 30	63A	4	861
88,0	9	1,6	30,00	LWBC 30	56B	2	861
88,0	9	1,6	30,00	LWPC 30	56B	2	861
86,0	11	1,9	10,00	LWBC 30	63B	6	871
86,0	11	1,9	10,00	LWPC 30	63B	6	871
67,0	13	1,4	20,00	LWBC 30	63A	4	948
67,0	14	3,2	20,00	LWBC 40	63A	4	1824
67,0	13	1,4	20,00	LWPC 30	63A	4	948
67,0	14	3,2	20,00	LWPC 40	63A	4	1824
66,0	12	1,2	40,00	LWBC 30	56B	2	948
66,0	12	1,2	40,00	LWPC 30	56B	2	948
57,0	15	1,4	15,00	LWBC 30	63B	6	997
57,0	16	3,2	15,00	LWBC 40	63B	6	1920
57,0	15	1,4	15,00	LWPC 30	63B	6	997
57,0	16	3,2	15,00	LWPC 40	63B	6	1920
54,0	15	1,5	25,00	LWBC 30	63A	4	1021
54,0	16	2,4	25,00	LWBC 40	63A	4	1964
54,0	15	1,5	25,00	LWPC 30	63A	4	1021
54,0	16	2,4	25,00	LWPC 40	63A	4	1964
53,0	14	1,0	50,00	LWBC 30	56B	2	1021
53,0	15	2,0	50,00	LWBC 40	56B	2	1964
53,0	14	1,0	50,00	LWPC 30	56B	2	1021
53,0	15	2,0	50,00	LWPC 40	56B	2	1964
45,0	17	1,2	30,00	LWBC 30	63A	4	1085
45,0	18	2,6	30,00	LWBC 40	63A	4	2087
45,0	17	1,2	30,00	LWPC 30	63A	4	1085
45,0	18	2,6	30,00	LWPC 40	63A	4	2087
44,0	15	0,8	60,00	LWBC 30	56B	2	1085
44,0	17	1,6	60,00	LWBC 40	56B	2	2087
44,0	15	0,8	60,00	LWPC 30	56B	2	1085

0,12 kW

n2 [rpm]	M2 [Nm]	fs	i	Gear reducer	Motor		Fr2 [N]
					Size	Pole	
44,0	17	1,6	60,00	LWPC 40	56B	2	2087
43,0	19	1,1	20,00	LWBC 30	63B	6	1098
43,0	20	2,4	20,00	LWBC 40	63B	6	2113
43,0	19	1,1	20,00	LWPC 30	63B	6	1098
43,0	20	2,4	20,00	LWPC 40	63B	6	2113
34,0	22	1,1	25,00	LWBC 30	63B	6	1183
34,0	21	0,9	40,00	LWBC 30	63A	4	1194
34,0	24	1,9	25,00	LWBC 40	63B	6	2276
34,0	23	2,0	40,00	LWBC 40	63A	4	2298
34,0	23	3,5	40,00	LWBC 50	63A	4	3153
34,0	22	1,1	25,00	LWPC 30	63B	6	1183
34,0	21	0,9	40,00	LWPC 30	63A	4	1194
34,0	24	1,9	25,00	LWPC 40	63B	6	2276
34,0	23	2,0	40,00	LWPC 40	63A	4	2298
34,0	23	3,5	40,00	LWPC 50	63A	4	3153
33,0	21	1,2	80,00	LWBC 40	56B	2	2298
33,0	21	1,2	80,00	LWPC 40	56B	2	2298
29,0	25	0,9	30,00	LWBC 30	63B	6	1257
29,0	27	2,0	30,00	LWBC 40	63B	6	2419
29,0	25	0,9	30,00	LWPC 30	63B	6	1257
29,0	27	2,0	30,00	LWPC 40	63B	6	2419
27,0	24	0,8	50,00	LWBC 30	63A	4	1286
27,0	27	1,6	50,00	LWBC 40	63A	4	2475
27,0	24	1,0	100,00	LWBC 40	56B	2	2475
27,0	27	2,8	50,00	LWBC 50	63A	4	3397
27,0	24	0,8	50,00	LWPC 30	63A	4	1286
27,0	27	1,6	50,00	LWPC 40	63A	4	2475
27,0	24	1,0	100,00	LWPC 40	56B	2	2475
27,0	27	2,8	50,00	LWPC 50	63A	4	3397
22,0	30	0,7	40,00	LWBC 30	63B	6	1383
22,0	34	1,5	40,00	LWBC 40	63B	6	2662
22,0	30	1,3	60,00	LWBC 40	63A	4	2630
22,0	34	2,6	40,00	LWBC 50	63B	6	3654
22,0	31	2,3	60,00	LWBC 50	63A	4	3610
22,0	30	0,7	40,00	LWPC 30	63B	6	1383
22,0	34	1,5	40,00	LWPC 40	63B	6	2662
22,0	30	1,3	60,00	LWPC 40	63A	4	2630
22,0	34	2,6	40,00	LWPC 50	63B	6	3654
22,0	31	2,3	60,00	LWPC 50	63A	4	3610
17,0	39	1,2	50,00	LWBC 40	63B	6	2868
17,0	36	0,9	80,00	LWBC 40	63A	4	2895
17,0	40	2,0	50,00	LWBC 50	63B	6	3936

0,12 kW

n2 [rpm]	M2 [Nm]	fs	i	Gear reducer	Motor		Fr2 [N]
					Size	Pole	
17,0	37	1,8	80,00	LWBC 50	63A	4	3973
17,0	39	1,2	50,00	LWPC 40	63B	6	2868
17,0	36	0,9	80,00	LWPC 40	63A	4	2895
17,0	40	2,0	50,00	LWPC 50	63B	6	3936
17,0	37	1,8	80,00	LWPC 50	63A	4	3973
14,0	44	0,9	60,00	LWBC 40	63B	6	3047
14,0	45	1,7	60,00	LWBC 50	63B	6	4183
14,0	44	0,9	60,00	LWPC 40	63B	6	3047
14,0	45	1,7	60,00	LWPC 50	63B	6	4183
13,4	55	2,5	100,00	LWBC+LWBC 40+50	63A	4	3800
13,4	55	2,5	100,00	LWBC+LWPC 40+50	63A	4	3800
13,0	41	0,7	100,00	LWBC 40	63A	4	3118
13,0	43	1,3	100,00	LWBC 50	63A	4	4280
13,0	41	0,7	100,00	LWPC 40	63A	4	3118
13,0	43	1,3	100,00	LWPC 50	63A	4	4280
11,0	53	1,3	80,00	LWBC 50	63B	6	4604
11,0	53	1,3	80,00	LWPC 50	63B	6	4604
9,0	60	0,9	100,00	LWBC 50	63B	6	4840
9,0	60	0,9	100,00	LWPC 50	63B	6	4840
8,9	76	1,8	150,00	LWBC+LWBC 40+50	63A	4	4350
8,9	77	3,4	150,00	LWBC+LWBC 40+63	63A	4	5686
8,9	76	1,8	150,00	LWBC+LWPC 40+50	63A	4	4350
8,9	77	3,4	150,00	LWBC+LWPC 40+63	63A	4	5686
6,7	96	1,2	200,00	LWBC+LWBC 40+50	63A	4	4788
6,7	97	2,6	200,00	LWBC+LWBC 40+63	63A	4	6259
6,7	96	1,2	200,00	LWBC+LWPC 40+50	63A	4	4788
6,7	97	2,6	200,00	LWBC+LWPC 40+63	63A	4	6259
6,7	106	3,3	200,00	LWBC+LXWC 40+90	63A	4	6487
5,4	113	1,0	250,00	LWBC+LWBC 40+50	63A	4	4840
5,4	117	2,0	250,00	LWBC+LWBC 40+63	63A	4	6270
5,4	113	1,0	250,00	LWBC+LWPC 40+50	63A	4	4840
5,4	117	2,0	250,00	LWBC+LWPC 40+63	63A	4	6270
4,5	125	1,2	300,00	LWBC+LWBC 40+50	63A	4	4840
4,5	127	2,1	300,00	LWBC+LWBC 40+63	63A	4	6270
4,5	125	1,2	300,00	LWBC+LWPC 40+50	63A	4	4840
4,5	127	2,1	300,00	LWBC+LWPC 40+63	63A	4	6270
3,4	150	0,8	400,00	LWBC+LWBC 40+50	63A	4	4840
3,4	156	1,6	400,00	LWBC+LWBC 40+63	63A	4	6270
3,4	150	0,8	400,00	LWBC+LWPC 40+50	63A	4	4840
3,4	156	1,6	400,00	LWBC+LWPC 40+63	63A	4	6270
3,4	173	3,5	400,00	LWBC+LXWC 40+90	63A	4	8180
2,7	217	1,1	500,00	LWBC+LWBC 40+63	63A	4	6270

0,12 kW

n2 [rpm]	M2 [Nm]	fs	i	Gear reducer	Size	Motor Pole	Fr2 [N]
2,7	217	1,1	500,00	LWBC+LWPC 40+63	63A	4	6270
2,7	202	2,8	500,00	LWBC+LXWC 40+90	63A	4	8180
2,2	237	1,1	600,00	LWBC+LWBC 40+63	63A	4	6270
2,2	237	1,1	600,00	LWBC+LWPC 40+63	63A	4	6270
2,2	260	2,7	600,00	LWBC+LXWC 40+90	63A	4	8180
1,8	285	1,0	750,00	LWBC+LWBC 40+63	63A	4	6270
1,8	285	1,0	750,00	LWBC+LWPC 40+63	63A	4	6270
1,8	313	2,2	750,00	LWBC+LXWC 40+90	63A	4	8180
1,5	319	0,8	900,00	LWBC+LWBC 40+63	63A	4	6270
1,5	319	0,8	900,00	LWBC+LWPC 40+63	63A	4	6270
1,5	350	2,0	900,00	LWBC+LXWC 40+90	63A	4	8180
1,1	434	1,6	1200,00	LWBC+LXWC 40+90	63A	4	8180
1,1	448	2,5	1200,00	LWBC+LXWC 50+110	63A	4	10320
1,1	448	1,6	1200,00	LWBC+LXWC 50+90	63A	4	8180
0,9	518	1,4	1500,00	LWBC+LXWC 40+90	63A	4	8180
0,9	527	2,1	1500,00	LWBC+LXWC 50+110	63A	4	10320
0,9	527	1,3	1500,00	LWBC+LXWC 50+90	63A	4	8180
0,7	582	1,2	1800,00	LWBC+LXWC 40+90	63A	4	8180
0,7	592	1,9	1800,00	LWBC+LXWC 50+110	63A	4	10320
0,7	592	1,2	1800,00	LWBC+LXWC 50+90	63A	4	8180
0,6	719	0,8	2400,00	LWBC+LXWC 40+90	63A	4	8180
0,6	766	1,3	2400,00	LWBC+LXWC 50+110	63A	4	10320
0,6	731	0,8	2400,00	LWBC+LXWC 50+90	63A	4	8180
0,5	914	1,1	3000,00	LWBC+LXWC 50+110	63A	4	10320
0,3	1096	0,9	4000,00	LWBC+LXWC 50+110	63A	4	10320
0,3	1269	0,8	5000,00	LWBC+LXWC 50+110	63A	4	10320

0,15 kW

n2 [rpm]	M2 [Nm]	fs	i	Gear reducer	Size	Motor Pole	Fr2 [N]
162,0	8	2,8	5,00	LWBC 30	63C	6	692
162,0	8	2,8	5,00	LWPC 30	63C	6	692
108,0	11	1,9	7,50	LWBC 30	63C	6	792
108,0	11	1,9	7,50	LWPC 30	63C	6	792
81,0	14	1,5	10,00	LWBC 30	63C	6	871
81,0	15	3,3	10,00	LWBC 40	63C	6	1677
81,0	14	1,5	10,00	LWPC 30	63C	6	871
81,0	15	3,3	10,00	LWPC 40	63C	6	1677
54,0	20	1,1	15,00	LWBC 30	63C	6	997
54,0	21	2,4	15,00	LWBC 40	63C	6	1920
54,0	20	1,1	15,00	LWPC 30	63C	6	997
54,0	21	2,4	15,00	LWPC 40	63C	6	1920

0,15 kW

n2 [rpm]	M2 [Nm]	fs	i	Gear reducer	Size	Motor Pole	Fr2 [N]
41,0	25	0,8	20,00	LWBC 30	63C	6	1098
41,0	27	1,8	20,00	LWBC 40	63C	6	2113
41,0	25	0,8	20,00	LWPC 30	63C	6	1098
41,0	27	1,8	20,00	LWPC 40	63C	6	2113
32,0	29	0,8	25,00	LWBC 30	63C	6	1183
32,0	32	1,4	25,00	LWBC 40	63C	6	2276
32,0	29	0,8	25,00	LWPC 30	63C	6	1183
32,0	32	1,4	25,00	LWPC 40	63C	6	2276
27,0	36	1,5	30,00	LWBC 40	63C	6	2419
27,0	36	1,5	30,00	LWPC 40	63C	6	2419
20,0	45	1,1	40,00	LWBC 40	63C	6	2662
20,0	45	1,9	40,00	LWBC 50	63C	6	3654
20,0	45	1,1	40,00	LWPC 40	63C	6	2662
20,0	45	1,9	40,00	LWPC 50	63C	6	3654
16,0	51	0,9	50,00	LWBC 40	63C	6	2868
16,0	53	1,5	50,00	LWBC 50	63C	6	3936
16,0	51	0,9	50,00	LWPC 40	63C	6	2868
16,0	53	1,5	50,00	LWPC 50	63C	6	3936
14,0	58	0,7	60,00	LWBC 40	63C	6	3047
14,0	59	1,3	60,00	LWBC 50	63C	6	4183
14,0	58	0,7	60,00	LWPC 40	63C	6	3047
14,0	59	1,3	60,00	LWPC 50	63C	6	4183
10,0	71	1,0	80,00	LWBC 50	63C	6	4604
10,0	71	1,0	80,00	LWPC 50	63C	6	4604
8,0	80	0,7	100,00	LWBC 50	63C	6	4840
8,0	80	0,7	100,00	LWPC 50	63C	6	4840

0,18 kW

n2 [rpm]	M2 [Nm]	fs	i	Gear reducer	Size	Motor Pole	Fr2 [N]
373,0	4	3,2	7,50	LWBC 30	63A	2	542
373,0	4	3,2	7,50	LWPC 30	63A	2	542
280,0	5	2,5	10,00	LWBC 30	63A	2	597
280,0	5	2,5	10,00	LWPC 30	63A	2	597
266,0	6	3,4	5,00	LWBC 30	63B	4	597
266,0	6	3,4	5,00	LWPC 30	63B	4	597
187,0	8	1,7	15,00	LWBC 30	63A	2	683
187,0	8	4,0	15,00	LWBC 40	63A	2	1315
187,0	8	1,7	15,00	LWPC 30	63A	2	683
187,0	8	4,0	15,00	LWPC 40	63A	2	1315
177,0	8	2,3	7,50	LWBC 30	63B	4	683
177,0	8	2,3	7,50	LWPC 30	63B	4	683

0,18 kW

n ₂ [rpm]	M ₂ [Nm]	f _s	i	Gear reducer	Motor		Fr ₂ [N]
					Size	Pole	
140,0	10	1,2	20,00	LWBC 30	63A	2	752
140,0	10	2,8	20,00	LWBC 40	63A	2	1447
140,0	10	1,2	20,00	LWPC 30	63A	2	752
140,0	10	2,8	20,00	LWPC 40	63A	2	1447
133,0	11	1,8	10,00	LWBC 30	63B	4	752
133,0	11	1,8	10,00	LWPC 30	63B	4	752
120,0	12	3,8	7,50	LWBC 40	71A	6	1524
120,0	12	3,8	7,50	LWPC 40	71A	6	1524
112,0	12	1,4	25,00	LWBC 30	63A	2	810
112,0	12	2,3	25,00	LWBC 40	63A	2	1559
112,0	12	1,4	25,00	LWPC 30	63A	2	810
112,0	12	2,3	25,00	LWPC 40	63A	2	1559
93,0	13	1,1	30,00	LWBC 30	63A	2	861
93,0	14	2,4	30,00	LWBC 40	63A	2	1657
93,0	13	1,1	30,00	LWPC 30	63A	2	861
93,0	14	2,4	30,00	LWPC 40	63A	2	1657
90,0	16	3,0	10,00	LWBC 40	71A	6	1677
90,0	16	3,0	10,00	LWPC 40	71A	6	1677
89,0	15	1,3	15,00	LWBC 30	63B	4	861
89,0	16	2,7	15,00	LWBC 40	63B	4	1657
89,0	15	1,3	15,00	LWPC 30	63B	4	861
89,0	16	2,7	15,00	LWPC 40	63B	4	1657
70,0	16	0,9	40,00	LWBC 30	63A	2	948
70,0	18	1,7	40,00	LWBC 40	63A	2	1824
70,0	18	3,2	40,00	LWBC 50	63A	2	2503
70,0	16	0,9	40,00	LWPC 30	63A	2	948
70,0	18	1,7	40,00	LWPC 40	63A	2	1824
70,0	18	3,2	40,00	LWPC 50	63A	2	2503
67,0	19	0,9	20,00	LWBC 30	63B	4	948
67,0	20	2,1	20,00	LWBC 40	63B	4	1824
67,0	19	0,9	20,00	LWPC 30	63B	4	948
67,0	20	2,1	20,00	LWPC 40	63B	4	1824
60,0	23	2,2	15,00	LWBC 40	71A	6	1920
60,0	23	2,2	15,00	LWPC 40	71A	6	1920
56,0	21	1,4	50,00	LWBC 40	63A	2	1964
56,0	21	2,5	50,00	LWBC 50	63A	2	2696
56,0	21	1,4	50,00	LWPC 40	63A	2	1964
56,0	21	2,5	50,00	LWPC 50	63A	2	2696
53,0	22	1,0	25,00	LWBC 30	63B	4	1021
53,0	25	1,6	25,00	LWBC 40	63B	4	1964
53,0	22	1,0	25,00	LWPC 30	63B	4	1021
53,0	25	1,6	25,00	LWPC 40	63B	4	1964

0,18 kW

n2 [rpm]	M2 [Nm]	fs	i	Gear reducer	Motor		Fr2 [N]
					Size	Pole	
47,0	24	1,2	60,00	LWBC 40	63A	2	2087
47,0	25	2,0	60,00	LWBC 50	63A	2	2865
47,0	24	1,2	60,00	LWPC 40	63A	2	2087
47,0	25	2,0	60,00	LWPC 50	63A	2	2865
45,0	29	1,7	20,00	LWBC 40	71A	6	2113
45,0	29	2,8	20,00	LWBC 50	71A	6	2900
45,0	29	1,7	20,00	LWPC 40	71A	6	2113
45,0	29	2,8	20,00	LWPC 50	71A	6	2900
44,0	26	0,8	30,00	LWBC 30	63B	4	1085
44,0	28	1,7	30,00	LWBC 40	63B	4	2087
44,0	26	0,8	30,00	LWPC 30	63B	4	1085
44,0	28	1,7	30,00	LWPC 40	63B	4	2087
36,0	35	1,3	25,00	LWBC 40	71A	6	2276
36,0	35	2,2	25,00	LWBC 50	71A	6	3124
36,0	35	1,3	25,00	LWPC 40	71A	6	2276
36,0	35	2,2	25,00	LWPC 50	71A	6	3124
35,0	29	0,8	80,00	LWBC 40	63A	2	2298
35,0	30	1,5	80,00	LWBC 50	63A	2	3153
35,0	29	0,8	80,00	LWPC 40	63A	2	2298
35,0	30	1,5	80,00	LWPC 50	63A	2	3153
33,0	34	1,3	40,00	LWBC 40	63B	4	2298
33,0	35	2,3	40,00	LWBC 50	63B	4	3153
33,0	34	1,3	40,00	LWPC 40	63B	4	2298
33,0	35	2,3	40,00	LWPC 50	63B	4	3153
30,0	38	1,4	30,00	LWBC 40	71A	6	2419
30,0	40	2,4	30,00	LWBC 50	71A	6	3320
30,0	38	1,4	30,00	LWPC 40	71A	6	2419
30,0	40	2,4	30,00	LWPC 50	71A	6	3320
28,0	35	1,1	100,00	LWBC 50	63A	2	3397
28,0	35	1,1	100,00	LWPC 50	63A	2	3397
27,0	41	1,0	50,00	LWBC 40	63B	4	2475
27,0	41	1,9	50,00	LWBC 50	63B	4	3397
27,0	41	1,0	50,00	LWPC 40	63B	4	2475
27,0	41	1,9	50,00	LWPC 50	63B	4	3397
23,0	48	1,0	40,00	LWBC 40	71A	6	2662
23,0	49	1,8	40,00	LWBC 50	71A	6	3654
23,0	50	3,4	40,00	LWBC 63	71A	6	4776
23,0	48	1,0	40,00	LWPC 40	71A	6	2662
23,0	49	1,8	40,00	LWPC 50	71A	6	3654
23,0	50	3,4	40,00	LWPC 63	71A	6	4776
22,0	46	0,8	60,00	LWBC 40	63B	4	2630
22,0	47	1,5	60,00	LWBC 50	63B	4	3610

0,18 kW

n2 [rpm]	M2 [Nm]	fs	i	Gear reducer	Motor		Fr2 [N]
					Size	Pole	
22,0	46	0,8	60,00	LWPC 40	63B	4	2630
22,0	47	1,5	60,00	LWPC 50	63B	4	3610
18,0	57	1,4	50,00	LWBC 50	71A	6	3936
18,0	59	2,7	50,00	LWBC 63	71A	6	5145
18,0	57	1,4	50,00	LWPC 50	71A	6	3936
18,0	59	2,7	50,00	LWPC 63	71A	6	5145
17,0	56	1,2	80,00	LWBC 50	63B	4	3973
17,0	56	1,2	80,00	LWPC 50	63B	4	3973
15,0	64	1,2	60,00	LWBC 50	71A	6	4183
15,0	68	2,3	60,00	LWBC 63	71A	6	5467
15,0	64	1,2	60,00	LWPC 50	71A	6	4183
15,0	68	2,3	60,00	LWPC 63	71A	6	5467
13,3	82	1,7	100,00	LWBC+LWBC 40+50	63B	4	3800
13,3	82	3,1	100,00	LWBC+LWBC 40+63	63B	4	4967
13,3	82	1,7	100,00	LWBC+LWPC 40+50	63B	4	3800
13,3	82	3,1	100,00	LWBC+LWPC 40+63	63B	4	4967
13,0	65	0,9	100,00	LWBC 50	63B	4	4280
13,0	65	0,9	100,00	LWPC 50	63B	4	4280
11,0	76	0,9	80,00	LWBC 50	71A	6	4604
11,0	81	1,7	80,00	LWBC 63	71A	6	6018
11,0	76	0,9	80,00	LWPC 50	71A	6	4604
11,0	81	1,7	80,00	LWPC 63	71A	6	6018
9,0	92	1,4	100,00	LWBC 63	71A	6	6270
9,0	92	1,4	100,00	LWPC 63	71A	6	6270
8,9	114	1,2	150,00	LWBC+LWBC 40+50	63B	4	4350
8,9	116	2,2	150,00	LWBC+LWBC 40+63	63B	4	5686
8,9	114	1,2	150,00	LWBC+LWPC 40+50	63B	4	4350
8,9	116	2,2	150,00	LWBC+LWPC 40+63	63B	4	5686
8,9	125	2,9	150,00	LWBC+LXWC 40+90	63B	4	6487
6,7	144	0,8	200,00	LWBC+LWBC 40+50	63B	4	4788
6,7	146	1,7	200,00	LWBC+LWBC 40+63	63B	4	6259
6,7	144	0,8	200,00	LWBC+LWPC 40+50	63B	4	4788
6,7	146	1,7	200,00	LWBC+LWPC 40+63	63B	4	6259
6,7	159	2,2	200,00	LWBC+LXWC 40+90	63B	4	6487
5,3	175	1,3	250,00	LWBC+LWBC 40+63	63B	4	6270
5,3	175	1,3	250,00	LWBC+LWPC 40+63	63B	4	6270
5,3	188	3,0	250,00	LWBC+LXWC 40+90	63B	4	8180
4,4	188	0,8	300,00	LWBC+LWBC 40+50	63B	4	4840
4,4	191	1,4	300,00	LWBC+LWBC 40+63	63B	4	6270
4,4	188	0,8	300,00	LWBC+LWPC 40+50	63B	4	4840
4,4	191	1,4	300,00	LWBC+LWPC 40+63	63B	4	6270
4,4	210	3,3	300,00	LWBC+LXWC 40+90	63B	4	8180

0,18 kW

n2 [rpm]	M2 [Nm]	fs	i	Gear reducer	Size	Motor Pole	Fr2 [N]
3,3	234	1,1	400,00	LWBC+LWBC 40+63	63B	4	6270
3,3	234	1,1	400,00	LWBC+LWPC 40+63	63B	4	6270
3,3	259	2,4	400,00	LWBC+LXWC 40+90	63B	4	8180
2,7	325	0,7	500,00	LWBC+LWBC 40+63	63B	4	6270
2,7	325	0,7	500,00	LWBC+LWPC 40+63	63B	4	6270
2,7	303	1,9	500,00	LWBC+LXWC 40+90	63B	4	8180
2,2	355	0,8	600,00	LWBC+LWBC 40+63	63B	4	6270
2,2	355	0,8	600,00	LWBC+LWPC 40+63	63B	4	6270
2,2	390	1,8	600,00	LWBC+LXWC 40+90	63B	4	8180
1,8	469	1,5	750,00	LWBC+LXWC 40+90	63B	4	8180
1,5	526	1,3	900,00	LWBC+LXWC 40+90	63B	4	8180
1,1	652	1,1	1200,00	LWBC+LXWC 40+90	63B	4	8180
1,1	671	1,6	1200,00	LWBC+LXWC 50+110	63B	4	10320
1,1	671	1,0	1200,00	LWBC+LXWC 50+90	63B	4	8180
0,9	777	0,9	1500,00	LWBC+LXWC 40+90	63B	4	8180
0,9	790	1,4	1500,00	LWBC+LXWC 50+110	63B	4	10320
0,9	790	0,9	1500,00	LWBC+LXWC 50+90	63B	4	8180
0,7	874	0,8	1800,00	LWBC+LXWC 40+90	63B	4	8180
0,7	888	1,2	1800,00	LWBC+LXWC 50+110	63B	4	10320
0,7	888	0,8	1800,00	LWBC+LXWC 50+90	63B	4	8180
0,6	1149	0,9	2400,00	LWBC+LXWC 50+110	63B	4	10320
0,4	1370	0,7	3000,00	LWBC+LXWC 50+110	63B	4	10320

0,22 kW

n2 [rpm]	M2 [Nm]	fs	i	Gear reducer	Size	Motor Pole	Fr2 [N]
266,0	7	2,8	5,00	LWBC 30	63C	4	597
266,0	7	2,8	5,00	LWPC 30	63C	4	597
177,0	10	1,9	7,50	LWBC 30	63C	4	683
177,0	10	1,9	7,50	LWPC 30	63C	4	683
133,0	13	1,4	10,00	LWBC 30	63C	4	752
133,0	13	3,3	10,00	LWBC 40	63C	4	1447
133,0	13	1,4	10,00	LWPC 30	63C	4	752
133,0	13	3,3	10,00	LWPC 40	63C	4	1447
89,0	18	1,0	15,00	LWBC 30	63C	4	861
89,0	20	2,2	15,00	LWBC 40	63C	4	1657
89,0	18	1,0	15,00	LWPC 30	63C	4	861
89,0	20	2,2	15,00	LWPC 40	63C	4	1657
67,0	23	0,8	20,00	LWBC 30	63C	4	948
67,0	25	1,7	20,00	LWBC 40	63C	4	1824
67,0	23	0,8	20,00	LWPC 30	63C	4	948
67,0	25	1,7	20,00	LWPC 40	63C	4	1824

0,22 kW

n2 [rpm]	M2 [Nm]	fs	i	Gear reducer	Motor		Fr2 [N]
					Size	Pole	
53,0	27	0,8	25,00	LWBC 30	63C	4	1021
53,0	30	1,3	25,00	LWBC 40	63C	4	1964
53,0	27	0,8	25,00	LWPC 30	63C	4	1021
53,0	30	1,3	25,00	LWPC 40	63C	4	1964
44,0	34	1,4	30,00	LWBC 40	63C	4	2087
44,0	34	1,4	30,00	LWPC 40	63C	4	2087
33,0	42	1,1	40,00	LWBC 40	63C	4	2298
33,0	43	1,9	40,00	LWBC 50	63C	4	3153
33,0	42	1,1	40,00	LWPC 40	63C	4	2298
33,0	43	1,9	40,00	LWPC 50	63C	4	3153
27,0	50	0,8	50,00	LWBC 40	63C	4	2475
27,0	51	1,5	50,00	LWBC 50	63C	4	3397
27,0	50	0,8	50,00	LWPC 40	63C	4	2475
27,0	51	1,5	50,00	LWPC 50	63C	4	3397
22,0	57	1,3	60,00	LWBC 50	63C	4	3610
22,0	57	1,3	60,00	LWPC 50	63C	4	3610
17,0	68	1,0	80,00	LWBC 50	63C	4	3973
17,0	68	1,0	80,00	LWPC 50	63C	4	3973
13,3	101	1,4	100,00	LWBC+LWBC 40+50	63C	4	3800
13,3	101	2,6	100,00	LWBC+LWBC 40+63	63C	4	4967
13,3	101	1,4	100,00	LWBC+LWPC 40+50	63C	4	3800
13,3	101	2,6	100,00	LWBC+LWPC 40+63	63C	4	4967
13,3	105	3,4	100,00	LWBC+LXWC 40+90	63C	4	6487
8,9	140	1,0	150,00	LWBC+LWBC 40+50	63C	4	4350
8,9	142	1,8	150,00	LWBC+LWBC 40+63	63C	4	5686
8,9	140	1,0	150,00	LWBC+LWPC 40+50	63C	4	4350
8,9	142	1,8	150,00	LWBC+LWPC 40+63	63C	4	5686
8,9	153	2,4	150,00	LWBC+LXWC 40+90	63C	4	6487
6,7	179	1,4	200,00	LWBC+LWBC 40+63	63C	4	6259
6,7	179	1,4	200,00	LWBC+LWPC 40+63	63C	4	6259
6,7	194	1,8	200,00	LWBC+LXWC 40+90	63C	4	6487
5,3	214	1,1	250,00	LWBC+LWBC 40+63	63C	4	6270
5,3	214	1,1	250,00	LWBC+LWPC 40+63	63C	4	6270
5,3	230	2,5	250,00	LWBC+LXWC 40+90	63C	4	8180
4,4	233	1,2	300,00	LWBC+LWBC 40+63	63C	4	6270
4,4	233	1,2	300,00	LWBC+LWPC 40+63	63C	4	6270
4,4	256	2,7	300,00	LWBC+LXWC 40+90	63C	4	8180
3,3	286	0,9	400,00	LWBC+LWBC 40+63	63C	4	6270
3,3	286	0,9	400,00	LWBC+LWPC 40+63	63C	4	6270
3,3	316	1,9	400,00	LWBC+LXWC 40+90	63C	4	8180
2,7	370	1,5	500,00	LWBC+LXWC 40+90	63C	4	8180
2,2	477	1,5	600,00	LWBC+LXWC 40+90	63C	4	8180

0,22 kW

n2 [rpm]	M2 [Nm]	fs	i	Gear reducer	Motor		Fr2 [N]
					Size	Pole	
1,8	573	1,2	750,00	LWBC+LXWC 40+90	63C	4	8180
1,5	643	1,1	900,00	LWBC+LXWC 40+90	63C	4	8180
1,1	796	0,9	1200,00	LWBC+LXWC 40+90	63C	4	8180
1,1	820	1,3	1200,00	LWBC+LXWC 50+110	63C	4	10320
1,1	820	0,9	1200,00	LWBC+LXWC 50+90	63C	4	8180
0,9	950	0,7	1500,00	LWBC+LXWC 40+90	63C	4	8180
0,9	965	1,1	1500,00	LWBC+LXWC 50+110	63C	4	10320
0,9	965	0,7	1500,00	LWBC+LXWC 50+90	63C	4	8180
0,7	1086	1,0	1800,00	LWBC+LXWC 50+110	63C	4	10320
0,6	1405	0,7	2400,00	LWBC+LXWC 50+110	63C	4	10320

0,25 kW

n2 [rpm]	M2 [Nm]	fs	i	Gear reducer	Motor		Fr2 [N]
					Size	Pole	
560,0	4	3,2	5,00	LWBC 30	63B	2	474
560,0	4	3,2	5,00	LWPC 30	63B	2	474
373,0	6	2,3	7,50	LWBC 30	63B	2	542
373,0	6	2,3	7,50	LWPC 30	63B	2	542
280,0	7	1,8	10,00	LWBC 30	63B	2	597
280,0	8	3,9	10,00	LWBC 40	63B	2	1149
280,0	7	1,8	10,00	LWPC 30	63B	2	597
280,0	8	3,9	10,00	LWPC 40	63B	2	1149
264,0	8	2,4	5,00	LWBC 30	63D	4	597
264,0	8	2,4	5,00	LWPC 30	63D	4	597
187,0	10	1,2	15,00	LWBC 30	63B	2	683
187,0	11	2,9	15,00	LWBC 40	63B	2	1315
187,0	10	1,2	15,00	LWPC 30	63B	2	683
187,0	11	2,9	15,00	LWPC 40	63B	2	1315
180,0	12	3,6	5,00	LWBC 40	71B	6	1331
180,0	12	3,6	5,00	LWPC 40	71B	6	1331
176,0	12	1,6	7,50	LWBC 30	63D	4	683
176,0	12	3,6	7,50	LWBC 40	63D/71A	4	1315
176,0	12	1,6	7,50	LWPC 30	63D	4	683
176,0	12	3,6	7,50	LWPC 40	63D/71A	4	1315
140,0	13	0,9	20,00	LWBC 30	63B	2	752
140,0	14	2,0	20,00	LWBC 40	63B	2	1447
140,0	13	0,9	20,00	LWPC 30	63B	2	752
140,0	14	2,0	20,00	LWPC 40	63B	2	1447
132,0	15	1,3	10,00	LWBC 30	63D	4	752
132,0	15	2,9	10,00	LWBC 40	63D/71A	4	1447
132,0	15	1,3	10,00	LWPC 30	63D	4	752
132,0	15	2,9	10,00	LWPC 40	63D/71A	4	1447

0,25 kW

n2 [rpm]	M2 [Nm]	fs	i	Gear reducer	Motor		Fr2 [N]
					Size	Pole	
120,0	17	2,7	7,50	LWBC 40	71B	6	1524
120,0	17	2,7	7,50	LWPC 40	71B	6	1524
112,0	16	1,0	25,00	LWBC 30	63B	2	810
112,0	17	1,6	25,00	LWBC 40	63B	2	1559
112,0	16	1,0	25,00	LWPC 30	63B	2	810
112,0	17	1,6	25,00	LWPC 40	63B	2	1559
93,0	18	0,8	30,00	LWBC 30	63B	2	861
93,0	20	1,7	30,00	LWBC 40	63B	2	1657
93,0	21	3,8	15,00	LWBC 50	71A	4	2274
93,0	18	0,8	30,00	LWPC 30	63B	2	861
93,0	20	1,7	30,00	LWPC 40	63B	2	1657
93,0	21	3,8	15,00	LWPC 50	71A	4	2274
90,0	22	2,2	10,00	LWBC 40	71B	6	1677
90,0	22	2,2	10,00	LWPC 40	71B	6	1677
88,0	21	0,9	15,00	LWBC 30	63D	4	861
88,0	23	2,0	15,00	LWBC 40	63D/71A	4	1657
88,0	21	0,9	15,00	LWPC 30	63D	4	861
88,0	23	2,0	15,00	LWPC 40	63D/71A	4	1657
70,0	25	1,2	40,00	LWBC 40	63B	2	1824
70,0	27	2,8	20,00	LWBC 50	71A	4	2503
70,0	25	2,3	40,00	LWBC 50	63B	2	2503
70,0	25	1,2	40,00	LWPC 40	63B	2	1824
70,0	27	2,8	20,00	LWPC 50	71A	4	2503
70,0	25	2,3	40,00	LWPC 50	63B	2	2503
66,0	29	1,5	20,00	LWBC 40	63D/71A	4	1824
66,0	29	1,5	20,00	LWPC 40	63D/71A	4	1824
60,0	31	1,6	15,00	LWBC 40	71B	6	1920
60,0	32	2,9	15,00	LWBC 50	71B	6	2635
60,0	31	1,6	15,00	LWPC 40	71B	6	1920
60,0	32	2,9	15,00	LWPC 50	71B	6	2635
56,0	29	1,0	50,00	LWBC 40	63B	2	1964
56,0	33	2,1	25,00	LWBC 50	71A	4	2696
56,0	30	1,8	50,00	LWBC 50	63B	2	2696
56,0	29	1,0	50,00	LWPC 40	63B	2	1964
56,0	33	2,1	25,00	LWPC 50	71A	4	2696
56,0	30	1,8	50,00	LWPC 50	63B	2	2696
53,0	31	0,7	25,00	LWBC 30	63D	4	1021
53,0	34	1,1	25,00	LWBC 40	63D/71A	4	1964
53,0	31	0,7	25,00	LWPC 30	63D	4	1021
53,0	34	1,1	25,00	LWPC 40	63D/71A	4	1964
47,0	34	0,8	60,00	LWBC 40	63B	2	2087
47,0	34	1,5	60,00	LWBC 50	63B	2	2865

0,25 kW

n2 [rpm]	M2 [Nm]	fs	i	Gear reducer	Motor		Fr2 [N]
					Size	Pole	
47,0	34	0,8	60,00	LWPC 40	63B	2	2087
47,0	34	1,5	60,00	LWPC 50	63B	2	2865
46,0	38	2,3	30,00	LWBC 50	71A	4	2865
46,0	38	2,3	30,00	LWPC 50	71A	4	2865
45,0	40	1,2	20,00	LWBC 40	71B	6	2113
45,0	41	2,0	20,00	LWBC 50	71B	6	2900
45,0	40	1,2	20,00	LWPC 40	71B	6	2113
45,0	41	2,0	20,00	LWPC 50	71B	6	2900
44,0	39	1,2	30,00	LWBC 40	63D/71A	4	2087
44,0	39	1,2	30,00	LWPC 40	63D/71A	4	2087
36,0	48	0,9	25,00	LWBC 40	71B	6	2276
36,0	49	1,5	25,00	LWBC 50	71B	6	3124
36,0	48	0,9	25,00	LWPC 40	71B	6	2276
36,0	49	1,5	25,00	LWPC 50	71B	6	3124
35,0	42	1,1	80,00	LWBC 50	63B	2	3153
35,0	49	3,0	40,00	LWBC 63	71A	4	4122
35,0	42	1,1	80,00	LWPC 50	63B	2	3153
35,0	49	3,0	40,00	LWPC 63	71A	4	4122
33,0	48	0,9	40,00	LWBC 40	63D/71A	4	2298
33,0	49	1,7	40,00	LWBC 50	63D/71A	4	3153
33,0	48	0,9	40,00	LWPC 40	63D/71A	4	2298
33,0	49	1,7	40,00	LWPC 50	63D/71A	4	3153
30,0	53	1,0	30,00	LWBC 40	71B	6	2419
30,0	55	1,7	30,00	LWBC 50	71B	6	3320
30,0	53	1,0	30,00	LWPC 40	71B	6	2419
30,0	55	1,7	30,00	LWPC 50	71B	6	3320
28,0	49	0,8	100,00	LWBC 50	63B	2	3397
28,0	58	2,5	50,00	LWBC 63	71A	4	4440
28,0	49	0,8	100,00	LWPC 50	63B	2	3397
28,0	58	2,5	50,00	LWPC 63	71A	4	4440
26,0	57	0,7	50,00	LWBC 40	63D	4	2475
26,0	58	1,3	50,00	LWBC 50	63D/71A	4	3397
26,0	57	0,7	50,00	LWPC 40	63D	4	2475
26,0	58	1,3	50,00	LWPC 50	63D/71A	4	3397
23,0	67	0,7	40,00	LWBC 40	71B	6	2662
23,0	68	1,3	40,00	LWBC 50	71B	6	3654
23,0	70	2,4	40,00	LWBC 63	71B	6	4776
23,0	65	2,1	60,00	LWBC 63	71A	4	4719
23,0	67	0,7	40,00	LWPC 40	71B	6	2662
23,0	68	1,3	40,00	LWPC 50	71B	6	3654
23,0	70	2,4	40,00	LWPC 63	71B	6	4776
23,0	65	2,1	60,00	LWPC 63	71A	4	4719

0,25 kW

n ₂ [rpm]	M ₂ [Nm]	f _s	i	Gear reducer	Motor		Fr ₂ [N]
					Size	Pole	
22,0	65	1,1	60,00	LWBC 50	63D/71A	4	3610
22,0	65	1,1	60,00	LWPC 50	63D/71A	4	3610
18,0	80	1,0	50,00	LWBC 50	71B	6	3936
18,0	82	2,0	50,00	LWBC 63	71B	6	5145
18,0	80	1,0	50,00	LWPC 50	71B	6	3936
18,0	82	2,0	50,00	LWPC 63	71B	6	5145
17,0	78	0,8	80,00	LWBC 50	63D/71A	4	3973
17,0	80	1,5	80,00	LWBC 63	71A	4	5193
17,0	78	0,8	80,00	LWPC 50	63D/71A	4	3973
17,0	80	1,5	80,00	LWPC 63	71A	4	5193
15,0	89	0,9	60,00	LWBC 50	71B	6	4183
15,0	94	1,6	60,00	LWBC 63	71B	6	5467
15,0	89	0,9	60,00	LWPC 50	71B	6	4183
15,0	94	1,6	60,00	LWPC 63	71B	6	5467
14,0	89	1,3	100,00	LWBC 63	71A	4	5595
14,0	89	1,3	100,00	LWPC 63	71A	4	5595
13,2	115	1,2	100,00	LWBC+LWBC 40+50	63D/71A	4	3800
13,2	115	2,2	100,00	LWBC+LWBC 40+63	63D/71A	4	4967
13,2	115	1,2	100,00	LWBC+LWPC 40+50	63D/71A	4	3800
13,2	115	2,2	100,00	LWBC+LWPC 40+63	63D/71A	4	4967
13,2	119	3,0	100,00	LWBC+LXWC 40+90	63D/71A	4	6487
11,0	112	1,2	80,00	LWBC 63	71B	6	6018
11,0	112	1,2	80,00	LWPC 63	71B	6	6018
9,3	174	3,8	150,00	LWBC+LXWC 50+90	71A	4	7426
9,0	127	1,0	100,00	LWBC 63	71B	6	6270
9,0	127	1,0	100,00	LWPC 63	71B	6	6270
8,8	159	0,9	150,00	LWBC+LWBC 40+50	63D/71A	4	4350
8,8	161	1,6	150,00	LWBC+LWBC 40+63	63D/71A	4	5686
8,8	159	0,9	150,00	LWBC+LWPC 40+50	63D/71A	4	4350
8,8	161	1,6	150,00	LWBC+LWPC 40+63	63D/71A	4	5686
8,8	174	2,1	150,00	LWBC+LXWC 40+90	63D/71A	4	6487
7,0	223	2,7	200,00	LWBC+LXWC 50+90	71A	4	8174
6,6	203	1,2	200,00	LWBC+LWBC 40+63	63D/71A	4	6259
6,6	203	1,2	200,00	LWBC+LWPC 40+63	63D/71A	4	6259
6,6	221	1,6	200,00	LWBC+LXWC 40+90	63D/71A	4	6487
5,6	278	3,7	250,00	LWBC+LXWC 50+110	71A	4	10320
5,6	267	2,1	250,00	LWBC+LXWC 50+90	71A	4	8180
5,3	243	1,0	250,00	LWBC+LWBC 40+63	63D/71A	4	6270
5,3	243	1,0	250,00	LWBC+LWPC 40+63	63D/71A	4	6270
5,3	261	2,2	250,00	LWBC+LXWC 40+90	63D/71A	4	8180
4,6	298	3,7	300,00	LWBC+LXWC 50+110	71A	4	10320
4,6	298	2,3	300,00	LWBC+LXWC 50+90	71A	4	8180

0,25 kW

n2 [rpm]	M2 [Nm]	fs	i	Gear reducer	Motor		Fr2 [N]
					Size	Pole	
4,4	265	1,0	300,00	LWBC+LWBC 40+63	63D/71A	4	6270
4,4	265	1,0	300,00	LWBC+LWPC 40+63	63D/71A	4	6270
4,4	291	2,4	300,00	LWBC+LXWC 40+90	63D/71A	4	8180
3,5	386	2,7	400,00	LWBC+LXWC 50+110	71A	4	10320
3,5	368	1,7	400,00	LWBC+LXWC 50+90	71A	4	8180
3,5	386	3,1	400,00	LWBC+LXWC 63+110	71A	4	10320
3,3	325	0,8	400,00	LWBC+LWBC 40+63	63D/71A	4	6270
3,3	325	0,8	400,00	LWBC+LWPC 40+63	63D/71A	4	6270
3,3	359	1,7	400,00	LWBC+LXWC 40+90	63D/71A	4	8180
2,8	512	2,0	500,00	LWBC+LXWC 50+110	71A	4	10320
2,8	491	1,2	500,00	LWBC+LXWC 50+90	71A	4	8180
2,8	524	2,2	500,00	LWBC+LXWC 63+110	71A	4	10320
2,8	460	3,4	500,00	LWBC+LXWC 63+130	71A	4	13500
2,6	420	1,3	500,00	LWBC+LXWC 40+90	63D/71A	4	8180
2,3	548	2,0	600,00	LWBC+LXWC 50+110	71A	4	10320
2,3	548	1,3	600,00	LWBC+LXWC 50+90	71A	4	8180
2,3	562	2,3	600,00	LWBC+LXWC 63+110	71A	4	10320
2,3	571	3,1	600,00	LWBC+LXWC 63+130	71A	4	13500
2,2	542	1,3	600,00	LWBC+LXWC 40+90	63D/71A	4	8180
1,9	660	1,7	750,00	LWBC+LXWC 50+110	71A	4	10320
1,9	660	1,1	750,00	LWBC+LXWC 50+90	71A	4	8180
1,9	677	1,9	750,00	LWBC+LXWC 63+110	71A	4	10320
1,9	687	2,6	750,00	LWBC+LXWC 63+130	71A	4	13500
1,8	651	1,1	750,00	LWBC+LXWC 40+90	63D/71A	4	8180
1,5	751	1,5	900,00	LWBC+LXWC 50+110	71A	4	10320
1,5	751	0,9	900,00	LWBC+LXWC 50+90	71A	4	8180
1,5	771	1,6	900,00	LWBC+LXWC 63+110	71A	4	10320
1,5	783	2,2	900,00	LWBC+LXWC 63+130	71A	4	13500
1,5	730	1,0	900,00	LWBC+LXWC 40+90	63D/71A	4	8180
1,2	973	1,3	1200,00	LWBC+LXWC 63+110	71A	4	10320
1,2	988	1,8	1200,00	LWBC+LXWC 63+130	71A	4	13500
1,1	905	0,8	1200,00	LWBC+LXWC 40+90	63D/71A	4	8180
1,1	932	1,2	1200,00	LWBC+LXWC 50+110	63D/71A	4	10320
1,1	932	0,8	1200,00	LWBC+LXWC 50+90	63D/71A	4	8180
0,9	1148	1,1	1500,00	LWBC+LXWC 63+110	71A	4	10320
0,9	1165	1,5	1500,00	LWBC+LXWC 63+130	71A	4	13500
0,9	1097	1,0	1500,00	LWBC+LXWC 50+110	63D/71A	4	10320
0,8	1296	1,0	1800,00	LWBC+LXWC 63+110	71A	4	10320
0,8	1315	1,3	1800,00	LWBC+LXWC 63+130	71A	4	13500
0,7	1234	0,9	1800,00	LWBC+LXWC 50+110	63D/71A	4	10320
0,6	1676	0,7	2400,00	LWBC+LXWC 63+110	71A	4	10320
0,6	1676	1,0	2400,00	LWBC+LXWC 63+130	71A	4	13500

0,25 kW

n2 [rpm]	M2 [Nm]	fs	i	Gear reducer	Size	Motor Pole	Fr2 [N]
0,5	1998	0,8	3000,00	LWBC+LXWC 63+130	71A	4	13500

0,37 kW

n2 [rpm]	M2 [Nm]	fs	i	Gear reducer	Size	Motor Pole	Fr2 [N]
558,0	6	2,1	5,00	LWBC 30	63C	2	474
558,0	6	2,1	5,00	LWPC 30	63C	2	474
372,0	8	1,6	7,50	LWBC 30	63C	2	542
372,0	8	3,3	7,50	LWBC 40	63C/71A	2	1044
372,0	8	1,6	7,50	LWPC 30	63C	2	542
372,0	8	3,3	7,50	LWPC 40	63C/71A	2	1044
279,0	11	1,2	10,00	LWBC 30	63C	2	597
279,0	11	2,6	10,00	LWBC 40	63C/71A	2	1149
279,0	11	1,2	10,00	LWPC 30	63C	2	597
279,0	11	2,6	10,00	LWPC 40	63C/71A	2	1149
276,0	11	3,2	5,00	LWBC 40	71B	4	1149
276,0	11	3,2	5,00	LWPC 40	71B	4	1149
188,0	16	3,5	15,00	LWBC 50	71A	2	1805
188,0	16	3,5	15,00	LWPC 50	71A	2	1805
186,0	16	0,8	15,00	LWBC 30	63C	2	683
186,0	16	1,9	15,00	LWBC 40	63C/71A	2	1315
186,0	16	0,8	15,00	LWPC 30	63C	2	683
186,0	16	1,9	15,00	LWPC 40	63C/71A	2	1315
184,0	17	2,5	7,50	LWBC 40	71B	4	1315
184,0	17	2,5	7,50	LWPC 40	71B	4	1315
176,0	17	2,4	5,00	LWBC 40	71C	6	1331
176,0	17	2,4	5,00	LWPC 40	71C	6	1331
141,0	21	2,5	20,00	LWBC 50	71A	2	1987
141,0	21	2,5	20,00	LWPC 50	71A	2	1987
140,0	21	1,4	20,00	LWBC 40	63C/71A	2	1447
140,0	21	1,4	20,00	LWPC 40	63C/71A	2	1447
138,0	22	2,0	10,00	LWBC 40	71B	4	1447
138,0	22	3,5	10,00	LWBC 50	71B	4	1987
138,0	22	2,0	10,00	LWPC 40	71B	4	1447
138,0	22	3,5	10,00	LWPC 50	71B	4	1987
117,0	26	1,8	7,50	LWBC 40	71C	6	1524
117,0	26	3,5	7,50	LWBC 50	71C/80A	6	2091
117,0	26	1,8	7,50	LWPC 40	71C	6	1524
117,0	26	3,5	7,50	LWPC 50	71C/80A	6	2091
113,0	25	2,0	25,00	LWBC 50	71A	2	2140
113,0	25	2,0	25,00	LWPC 50	71A	2	2140
112,0	25	1,1	25,00	LWBC 40	63C/71A	2	1559

0,37 kW

n2 [rpm]	M2 [Nm]	fs	i	Gear reducer	Motor		Fr2 [N]
					Size	Pole	
112,0	25	1,1	25,00	LWPC 40	63C/71A	2	1559
94,0	29	2,2	30,00	LWBC 50	71A	2	2274
94,0	29	2,2	30,00	LWPC 50	71A	2	2274
93,0	29	1,2	30,00	LWBC 40	63C/71A	2	1657
93,0	29	1,2	30,00	LWPC 40	63C/71A	2	1657
92,0	32	1,4	15,00	LWBC 40	71B	4	1657
92,0	32	2,5	15,00	LWBC 50	71B	4	2274
92,0	32	1,4	15,00	LWPC 40	71B	4	1657
92,0	32	2,5	15,00	LWPC 50	71B	4	2274
88,0	33	1,4	10,00	LWBC 40	71C	6	1677
88,0	34	2,7	10,00	LWBC 50	71C/80A	6	2302
88,0	33	1,4	10,00	LWPC 40	71C	6	1677
88,0	34	2,7	10,00	LWPC 50	71C/80A	6	2302
71,0	38	3,0	40,00	LWBC 63	71A	2	3272
71,0	38	3,0	40,00	LWPC 63	71A	2	3272
70,0	37	0,8	40,00	LWBC 40	63C/71A	2	1824
70,0	37	1,6	40,00	LWBC 50	63C/71A	2	2503
70,0	37	0,8	40,00	LWPC 40	63C/71A	2	1824
70,0	37	1,6	40,00	LWPC 50	63C/71A	2	2503
69,0	40	1,1	20,00	LWBC 40	71B	4	1824
69,0	41	1,9	20,00	LWBC 50	71B	4	2503
69,0	40	1,1	20,00	LWPC 40	71B	4	1824
69,0	41	1,9	20,00	LWPC 50	71B	4	2503
63,0	46	3,7	15,00	LWBC 63	80A	6	3444
63,0	46	3,7	15,00	LWPC 63	80A	6	3444
59,0	48	1,1	15,00	LWBC 40	71C	6	1920
59,0	48	1,9	15,00	LWBC 50	71C/80A	6	2635
59,0	48	1,1	15,00	LWPC 40	71C	6	1920
59,0	48	1,9	15,00	LWPC 50	71C/80A	6	2635
56,0	44	1,2	50,00	LWBC 50	63C/71A	2	2696
56,0	45	2,3	50,00	LWBC 63	71A	2	3524
56,0	44	1,2	50,00	LWPC 50	63C/71A	2	2696
56,0	45	2,3	50,00	LWPC 63	71A	2	3524
55,0	49	0,8	25,00	LWBC 40	71B	4	1964
55,0	49	1,4	25,00	LWBC 50	71B	4	2696
55,0	49	0,8	25,00	LWPC 40	71B	4	1964
55,0	49	1,4	25,00	LWPC 50	71B	4	2696
47,0	51	1,0	60,00	LWBC 50	63C/71A	2	2865
47,0	59	2,8	20,00	LWBC 63	80A	6	3791
47,0	52	1,9	60,00	LWBC 63	71A	2	3745
47,0	51	1,0	60,00	LWPC 50	63C/71A	2	2865
47,0	59	2,8	20,00	LWPC 63	80A	6	3791

0,37 kW

n2 [rpm]	M2 [Nm]	fs	i	Gear reducer	Motor		Fr2 [N]
					Size	Pole	
47,0	52	1,9	60,00	LWPC 63	71A	2	3745
46,0	55	0,9	30,00	LWBC 40	71B	4	2087
46,0	56	1,6	30,00	LWBC 50	71B	4	2865
46,0	55	0,9	30,00	LWPC 40	71B	4	2087
46,0	56	1,6	30,00	LWPC 50	71B	4	2865
44,0	61	0,8	20,00	LWBC 40	71C	6	2113
44,0	62	1,3	20,00	LWBC 50	71C/80A	6	2900
44,0	61	0,8	20,00	LWPC 40	71C	6	2113
44,0	62	1,3	20,00	LWPC 50	71C/80A	6	2900
38,0	71	2,1	25,00	LWBC 63	80A	6	4084
38,0	71	2,1	25,00	LWPC 63	80A	6	4084
35,0	74	1,0	25,00	LWBC 50	71C/80A	6	3124
35,0	70	1,2	40,00	LWBC 50	71B	4	3153
35,0	63	0,7	80,00	LWBC 50	63C/71A	2	3153
35,0	73	2,0	40,00	LWBC 63	71B	4	4122
35,0	64	1,4	80,00	LWBC 63	71A	2	4122
35,0	74	1,0	25,00	LWPC 50	71C/80A	6	3124
35,0	70	1,2	40,00	LWPC 50	71B	4	3153
35,0	63	0,7	80,00	LWPC 50	63C/71A	2	3153
35,0	73	2,0	40,00	LWPC 63	71B	4	4122
35,0	64	1,4	80,00	LWPC 63	71A	2	4122
31,0	80	2,2	30,00	LWBC 63	80A	6	4339
31,0	80	2,2	30,00	LWPC 63	80A	6	4339
29,0	83	1,1	30,00	LWBC 50	71C/80A	6	3320
29,0	83	1,1	30,00	LWPC 50	71C/80A	6	3320
28,0	82	0,9	50,00	LWBC 50	71B	4	3397
28,0	86	1,7	50,00	LWBC 63	71B	4	4440
28,0	74	1,1	100,00	LWBC 63	71A	2	4440
28,0	82	0,9	50,00	LWPC 50	71B	4	3397
28,0	86	1,7	50,00	LWPC 63	71B	4	4440
28,0	74	1,1	100,00	LWPC 63	71A	2	4440
23,0	92	0,8	60,00	LWBC 50	71B	4	3610
23,0	97	1,4	60,00	LWBC 63	71B	4	4719
23,0	92	0,8	60,00	LWPC 50	71B	4	3610
23,0	97	1,4	60,00	LWPC 63	71B	4	4719
22,0	103	0,9	40,00	LWBC 50	71C	6	3654
22,0	106	1,6	40,00	LWBC 63	71C/80A	6	4776
22,0	103	0,9	40,00	LWPC 50	71C	6	3654
22,0	106	1,6	40,00	LWPC 63	71C/80A	6	4776
19,0	130	3,3	50,00	LXWC 90	80A	6	6719
18,0	124	1,3	50,00	LWBC 63	71C/80A	6	5145
18,0	124	1,3	50,00	LWPC 63	71C/80A	6	5145

0,37 kW

n2 [rpm]	M2 [Nm]	fs	i	Gear reducer	Motor		Fr2 [N]
					Size	Pole	
17,0	119	1,0	80,00	LWBC 63	71B	4	5193
17,0	119	1,0	80,00	LWPC 63	71B	4	5193
16,0	147	2,6	60,00	LXWC 90	80A	6	7140
15,0	142	1,1	60,00	LWBC 63	71C/80A	6	5467
15,0	142	1,1	60,00	LWPC 63	71C/80A	6	5467
14,0	133	0,9	100,00	LWBC 63	71B	4	5595
14,0	133	0,9	100,00	LWPC 63	71B	4	5595
13,8	169	0,8	100,00	LWBC+LWBC 40+50	71B	4	3800
13,8	169	1,5	100,00	LWBC+LWBC 40+63	71B	4	4967
13,8	169	0,8	100,00	LWBC+LWPC 40+50	71B	4	3800
13,8	169	1,5	100,00	LWBC+LWPC 40+63	71B	4	4967
13,8	176	2,1	100,00	LWBC+LXWC 40+90	71B	4	6487
13,8	180	3,6	100,00	LWBC+LXWC 50+110	71B	4	8198
13,8	180	3,3	100,00	LWBC+LXWC 50+90	71B	4	6487
12,0	192	2,8	80,00	LXWC 110	80A	6	9931
12,0	180	1,7	80,00	LXWC 90	80A	6	7859
11,0	170	0,8	80,00	LWBC 63	71C	6	6018
11,0	170	0,8	80,00	LWPC 63	71C	6	6018
9,2	238	1,1	150,00	LWBC+LWBC 40+63	71B	4	5686
9,2	238	1,1	150,00	LWBC+LWPC 40+63	71B	4	5686
9,2	258	1,4	150,00	LWBC+LXWC 40+90	71B	4	6487
9,2	260	3,6	150,00	LWBC+LXWC 50+110	71B	4	9384
9,2	257	2,6	150,00	LWBC+LXWC 50+90	71B	4	7426
9,0	222	2,2	100,00	LXWC 110	80A	6	10320
9,0	207	1,4	100,00	LXWC 90	80A	6	8180
6,9	300	0,8	200,00	LWBC+LWBC 40+63	71B	4	6259
6,9	300	0,8	200,00	LWBC+LWPC 40+63	71B	4	6259
6,9	327	1,1	200,00	LWBC+LXWC 40+90	71B	4	6487
6,9	338	2,9	200,00	LWBC+LXWC 50+110	71B	4	10320
6,9	329	1,9	200,00	LWBC+LXWC 50+90	71B	4	8174
6,9	338	3,4	200,00	LWBC+LXWC 63+110	71B	4	10320
5,5	386	1,5	250,00	LWBC+LXWC 40+90	71B	4	8180
5,5	412	2,5	250,00	LWBC+LXWC 50+110	71B	4	10320
5,5	395	1,4	250,00	LWBC+LXWC 50+90	71B	4	8180
5,5	412	2,8	250,00	LWBC+LXWC 63+110	71B	4	10320
5,5	412	3,7	250,00	LWBC+LXWC 63+130	71B	4	13500
4,6	431	1,6	300,00	LWBC+LXWC 40+90	71B	4	8180
4,6	441	2,5	300,00	LWBC+LXWC 50+110	71B	4	10320
4,6	441	1,6	300,00	LWBC+LXWC 50+90	71B	4	8180
4,6	441	2,9	300,00	LWBC+LXWC 63+110	71B	4	10320
4,6	448	3,9	300,00	LWBC+LXWC 63+130	71B	4	13500
3,5	532	1,1	400,00	LWBC+LXWC 40+90	71B	4	8180

0,37 kW

n2 [rpm]	M2 [Nm]	fs	i	Gear reducer	Size	Motor Pole	Fr2 [N]
3,5	571	1,8	400,00	LWBC+LXWC 50+110	71B	4	10320
3,5	545	1,1	400,00	LWBC+LXWC 50+90	71B	4	8180
3,5	571	2,1	400,00	LWBC+LXWC 63+110	71B	4	10320
3,5	571	2,9	400,00	LWBC+LXWC 63+130	71B	4	13500
2,8	622	0,9	500,00	LWBC+LXWC 40+90	71B	4	8180
2,8	757	1,3	500,00	LWBC+LXWC 50+110	71B	4	10320
2,8	727	0,8	500,00	LWBC+LXWC 50+90	71B	4	8180
2,8	776	1,5	500,00	LWBC+LXWC 63+110	71B	4	10320
2,8	681	2,3	500,00	LWBC+LXWC 63+130	71B	4	13500
2,3	802	0,9	600,00	LWBC+LXWC 40+90	71B	4	8180
2,3	812	1,4	600,00	LWBC+LXWC 50+110	71B	4	10320
2,3	812	0,9	600,00	LWBC+LXWC 50+90	71B	4	8180
2,3	832	1,5	600,00	LWBC+LXWC 63+110	71B	4	10320
2,3	844	2,1	600,00	LWBC+LXWC 63+130	71B	4	13500
1,8	964	0,7	750,00	LWBC+LXWC 40+90	71B	4	8180
1,8	977	1,1	750,00	LWBC+LXWC 50+110	71B	4	10320
1,8	977	0,7	750,00	LWBC+LXWC 50+90	71B	4	8180
1,8	1002	1,3	750,00	LWBC+LXWC 63+110	71B	4	10320
1,8	1017	1,7	750,00	LWBC+LXWC 63+130	71B	4	13500
1,5	1111	1,0	900,00	LWBC+LXWC 50+110	71B	4	10320
1,5	1141	1,1	900,00	LWBC+LXWC 63+110	71B	4	10320
1,5	1158	1,5	900,00	LWBC+LXWC 63+130	71B	4	13500
1,1	1380	0,8	1200,00	LWBC+LXWC 50+110	71B	4	10320
1,1	1441	0,9	1200,00	LWBC+LXWC 63+110	71B	4	10320
1,1	1462	1,2	1200,00	LWBC+LXWC 63+130	71B	4	13500
0,9	1699	0,7	1500,00	LWBC+LXWC 63+110	71B	4	10320
0,9	1725	1,0	1500,00	LWBC+LXWC 63+130	71B	4	13500
0,8	1946	0,9	1800,00	LWBC+LXWC 63+130	71B	4	13500

0,55 kW

n2 [rpm]	M2 [Nm]	fs	i	Gear reducer	Size	Motor Pole	Fr2 [N]
562,0	8	2,9	5,00	LWBC 40	71B	2	912
562,0	8	2,9	5,00	LWPC 40	71B	2	912
375,0	12	2,2	7,50	LWBC 40	71B	2	1044
375,0	12	2,2	7,50	LWPC 40	71B	2	1044
281,0	16	1,8	10,00	LWBC 40	71B	2	1149
281,0	17	3,2	10,00	LWBC 50	71B	2	1577
281,0	16	1,8	10,00	LWPC 40	71B	2	1149
281,0	17	3,2	10,00	LWPC 50	71B	2	1577
274,0	17	2,1	5,00	LWBC 40	71C	4	1149
274,0	17	4,0	5,00	LWBC 50	71C	4	1577

0,55 kW

n ₂ [rpm]	M ₂ [Nm]	f _s	i	Gear reducer	Motor		Fr ₂ [N]
					Size	Pole	
274,0	17	2,1	5,00	LWPC 40	71C	4	1149
274,0	17	4,0	5,00	LWPC 50	71C	4	1577
187,0	24	1,3	15,00	LWBC 40	71B	2	1315
187,0	24	2,4	15,00	LWBC 50	71B	2	1805
187,0	24	1,3	15,00	LWPC 40	71B	2	1315
187,0	24	2,4	15,00	LWPC 50	71B	2	1805
186,0	25	3,3	5,00	LWBC 50	80B	6	1827
186,0	25	3,3	5,00	LWPC 50	80B	6	1827
183,0	25	1,7	7,50	LWBC 40	71C	4	1315
183,0	25	3,0	7,50	LWBC 50	71C/80A	4	1805
183,0	25	1,7	7,50	LWPC 40	71C	4	1315
183,0	25	3,0	7,50	LWPC 50	71C/80A	4	1805
141,0	31	0,9	20,00	LWBC 40	71B	2	1447
141,0	31	1,7	20,00	LWBC 50	71B	2	1987
141,0	31	0,9	20,00	LWPC 40	71B	2	1447
141,0	31	1,7	20,00	LWPC 50	71B	2	1987
137,0	33	1,4	10,00	LWBC 40	71C	4	1447
137,0	33	2,4	10,00	LWBC 50	71C/80A	4	1987
137,0	33	1,4	10,00	LWPC 40	71C	4	1447
137,0	33	2,4	10,00	LWPC 50	71C/80A	4	1987
124,0	36	2,5	7,50	LWBC 50	80B	6	2091
124,0	36	2,5	7,50	LWPC 50	80B	6	2091
112,0	37	0,7	25,00	LWBC 40	71B	2	1559
112,0	38	1,3	25,00	LWBC 50	71B	2	2140
112,0	37	0,7	25,00	LWPC 40	71B	2	1559
112,0	38	1,3	25,00	LWPC 50	71B	2	2140
94,0	43	0,8	30,00	LWBC 40	71B	2	1657
94,0	43	1,5	30,00	LWBC 50	71B	2	2274
94,0	43	0,8	30,00	LWPC 40	71B	2	1657
94,0	43	1,5	30,00	LWPC 50	71B	2	2274
93,0	48	1,9	10,00	LWBC 50	80B	6	2302
93,0	48	3,2	10,00	LWBC 63	80B	6	3009
93,0	47	3,2	15,00	LWBC 63	80A	4	2973
93,0	48	1,9	10,00	LWPC 50	80B	6	2302
93,0	48	3,2	10,00	LWPC 63	80B	6	3009
93,0	47	3,2	15,00	LWPC 63	80A	4	2973
91,0	48	0,9	15,00	LWBC 40	71C	4	1657
91,0	48	1,7	15,00	LWBC 50	71C/80A	4	2274
91,0	48	0,9	15,00	LWPC 40	71C	4	1657
91,0	48	1,7	15,00	LWPC 50	71C/80A	4	2274
70,0	55	1,1	40,00	LWBC 50	71B	2	2503
70,0	62	2,4	20,00	LWBC 63	80A	4	3272

0,55 kW

n2 [rpm]	M2 [Nm]	fs	i	Gear reducer	Motor		Fr2 [N]
					Size	Pole	
70,0	57	2,0	40,00	LWBC 63	71B	2	3272
70,0	55	1,1	40,00	LWPC 50	71B	2	2503
70,0	62	2,4	20,00	LWPC 63	80A	4	3272
70,0	57	2,0	40,00	LWPC 63	71B	2	3272
69,0	61	0,7	20,00	LWBC 40	71C	4	1824
69,0	61	1,3	20,00	LWBC 50	71C/80A	4	2503
69,0	61	0,7	20,00	LWPC 40	71C	4	1824
69,0	61	1,3	20,00	LWPC 50	71C/80A	4	2503
62,0	68	1,4	15,00	LWBC 50	80B	6	2635
62,0	69	2,5	15,00	LWBC 63	80B	6	3444
62,0	68	1,4	15,00	LWPC 50	80B	6	2635
62,0	69	2,5	15,00	LWPC 63	80B	6	3444
56,0	65	0,8	50,00	LWBC 50	71B	2	2696
56,0	74	1,8	25,00	LWBC 63	80A	4	3524
56,0	67	1,6	50,00	LWBC 63	71B	2	3524
56,0	65	0,8	50,00	LWPC 50	71B	2	2696
56,0	74	1,8	25,00	LWPC 63	80A	4	3524
56,0	67	1,6	50,00	LWPC 63	71B	2	3524
55,0	74	1,0	25,00	LWBC 50	71C/80A	4	2696
55,0	74	1,0	25,00	LWPC 50	71C/80A	4	2696
47,0	87	1,0	20,00	LWBC 50	80B	6	2900
47,0	88	1,9	20,00	LWBC 63	80B	6	3791
47,0	84	1,9	30,00	LWBC 63	80A	4	3745
47,0	77	1,3	60,00	LWBC 63	71B	2	3745
47,0	87	1,0	20,00	LWPC 50	80B	6	2900
47,0	88	1,9	20,00	LWPC 63	80B	6	3791
47,0	84	1,9	30,00	LWPC 63	80A	4	3745
47,0	77	1,3	60,00	LWPC 63	71B	2	3745
46,0	84	1,0	30,00	LWBC 50	71C/80A	4	2865
46,0	84	1,0	30,00	LWPC 50	71C/80A	4	2865
37,0	104	0,7	25,00	LWBC 50	80B	6	3124
37,0	107	1,4	25,00	LWBC 63	80B	6	4084
37,0	104	0,7	25,00	LWPC 50	80B	6	3124
37,0	107	1,4	25,00	LWPC 63	80B	6	4084
35,0	96	0,9	80,00	LWBC 63	71B	2	4122
35,0	96	0,9	80,00	LWPC 63	71B	2	4122
35,0	114	3,5	40,00	LXWC 90	80A	4	5383
34,0	104	0,8	40,00	LWBC 50	71C	4	3153
34,0	109	1,4	40,00	LWBC 63	71C/80A	4	4122
34,0	104	0,8	40,00	LWPC 50	71C	4	3153
34,0	109	1,4	40,00	LWPC 63	71C/80A	4	4122
31,0	117	0,8	30,00	LWBC 50	80B	6	3320

0,55 kW

n ₂ [rpm]	M ₂ [Nm]	f _s	i	Gear reducer	Motor		Fr ₂ [N]
					Size	Pole	
31,0	120	1,5	30,00	LWBC 63	80B	6	4339
31,0	117	0,8	30,00	LWPC 50	80B	6	3320
31,0	120	1,5	30,00	LWPC 63	80B	6	4339
28,0	110	0,7	100,00	LWBC 63	71B	2	4440
28,0	110	0,7	100,00	LWPC 63	71B	2	4440
28,0	137	2,7	50,00	LXWC 90	80A	4	5799
27,0	128	1,1	50,00	LWBC 63	71C/80A	4	4440
27,0	128	1,1	50,00	LWPC 63	71C/80A	4	4440
23,0	149	1,1	40,00	LWBC 63	80B	6	4776
23,0	145	0,9	60,00	LWBC 63	71C/80A	4	4719
23,0	149	1,1	40,00	LWPC 63	80B	6	4776
23,0	145	0,9	60,00	LWPC 63	71C/80A	4	4719
23,0	163	2,8	40,00	LXWC 90	80B	6	6238
23,0	158	2,2	60,00	LXWC 90	80A	4	6163
19,0	175	0,9	50,00	LWBC 63	80B	6	5145
19,0	175	0,9	50,00	LWPC 63	80B	6	5145
19,0	195	2,2	50,00	LXWC 90	80B	6	6719
18,0	204	2,4	80,00	LXWC 110	80A	4	8571
18,0	192	1,5	80,00	LXWC 90	80A	4	6783
16,0	200	0,8	60,00	LWBC 63	80B	6	5467
16,0	200	0,8	60,00	LWPC 63	80B	6	5467
16,0	220	1,7	60,00	LXWC 90	80B	6	7140
14,0	240	1,9	100,00	LXWC 110	80A	4	9232
14,0	225	1,2	100,00	LXWC 90	80A	4	7306
13,7	252	1,0	100,00	LWBC+LWBC 40+63	71C	4	4967
13,7	252	1,0	100,00	LWBC+LWPC 40+63	71C	4	4967
13,7	261	1,4	100,00	LWBC+LXWC 40+90	71C	4	6487
13,7	268	2,4	100,00	LWBC+LXWC 50+110	71C/80A	4	8198
13,7	268	2,2	100,00	LWBC+LXWC 50+90	71C/80A	4	6487
12,0	289	1,9	80,00	LXWC 110	80B	6	9931
12,0	271	1,2	80,00	LXWC 90	80B	6	7859
9,1	354	0,7	150,00	LWBC+LWBC 40+63	71C	4	5686
9,1	354	0,7	150,00	LWBC+LWPC 40+63	71C	4	5686
9,1	383	0,9	150,00	LWBC+LXWC 40+90	71C	4	6487
9,1	387	2,4	150,00	LWBC+LXWC 50+110	71C/80A	4	9384
9,1	382	1,7	150,00	LWBC+LXWC 50+90	71C/80A	4	7426
9,1	387	3,1	150,00	LWBC+LXWC 63+110	71C/80A	4	9384
9,0	333	1,5	100,00	LXWC 110	80B	6	10320
9,0	311	0,9	100,00	LXWC 90	80B	6	8180
6,8	486	0,7	200,00	LWBC+LXWC 40+90	71C	4	6487
6,8	503	2,0	200,00	LWBC+LXWC 50+110	71C/80A	4	10320
6,8	490	1,2	200,00	LWBC+LXWC 50+90	71C/80A	4	8174

0,55 kW

n2 [rpm]	M2 [Nm]	fs	i	Gear reducer	Motor		Fr2 [N]
					Size	Pole	
6,8	503	2,3	200,00	LWBC+LXWC 63+110	71C/80A	4	10320
6,8	503	3,2	200,00	LWBC+LXWC 63+130	71C/80A	4	13500
5,5	574	1,0	250,00	LWBC+LXWC 40+90	71C	4	8180
5,5	612	1,7	250,00	LWBC+LXWC 50+110	71C/80A	4	10320
5,5	588	1,0	250,00	LWBC+LXWC 50+90	71C/80A	4	8180
5,5	612	1,9	250,00	LWBC+LXWC 63+110	71C/80A	4	10320
5,5	612	2,5	250,00	LWBC+LXWC 63+130	71C/80A	4	13500
4,6	641	1,1	300,00	LWBC+LXWC 40+90	71C	4	8180
4,6	656	1,7	300,00	LWBC+LXWC 50+110	71C/80A	4	10320
4,6	656	1,1	300,00	LWBC+LXWC 50+90	71C/80A	4	8180
4,6	656	1,9	300,00	LWBC+LXWC 63+110	71C/80A	4	10320
4,6	666	2,6	300,00	LWBC+LXWC 63+130	71C/80A	4	13500
3,4	791	0,8	400,00	LWBC+LXWC 40+90	71C	4	8180
3,4	849	1,2	400,00	LWBC+LXWC 50+110	71C/80A	4	10320
3,4	809	0,8	400,00	LWBC+LXWC 50+90	71C/80A	4	8180
3,4	849	1,4	400,00	LWBC+LXWC 63+110	71C/80A	4	10320
3,4	849	1,9	400,00	LWBC+LXWC 63+130	71C/80A	4	13500
2,7	1126	0,9	500,00	LWBC+LXWC 50+110	71C/80A	4	10320
2,7	1154	1,0	500,00	LWBC+LXWC 63+110	71C/80A	4	10320
2,7	1012	1,5	500,00	LWBC+LXWC 63+130	71C/80A	4	13500
2,3	1207	0,9	600,00	LWBC+LXWC 50+110	71C/80A	4	10320
2,3	1237	1,0	600,00	LWBC+LXWC 63+110	71C/80A	4	10320
2,3	1255	1,4	600,00	LWBC+LXWC 63+130	71C/80A	4	13500
1,8	1452	0,8	750,00	LWBC+LXWC 50+110	71C/80A	4	10320
1,8	1489	0,8	750,00	LWBC+LXWC 63+110	71C/80A	4	10320
1,8	1512	1,2	750,00	LWBC+LXWC 63+130	71C/80A	4	13500
1,5	1697	0,7	900,00	LWBC+LXWC 63+110	71C/80A	4	10320
1,5	1722	1,0	900,00	LWBC+LXWC 63+130	71C/80A	4	13500
1,1	2174	0,8	1200,00	LWBC+LXWC 63+130	71C/80A	4	13500

0,75 kW

n2 [rpm]	M2 [Nm]	fs	i	Gear reducer	Motor		Fr2 [N]
					Size	Pole	
560,0	12	2,1	5,00	LWBC 40	71C ⁽¹⁾	2	912
560,0	12	3,9	5,00	LWBC 50	71C/80A	2	1251
560,0	12	2,1	5,00	LWPC 40	71C ⁽¹⁾	2	912
560,0	12	3,9	5,00	LWPC 50	71C/80A	2	1251
373,0	17	1,6	7,50	LWBC 40	71C ⁽¹⁾	2	1044
373,0	17	3,0	7,50	LWBC 50	71C/80A	2	1433
373,0	17	1,6	7,50	LWPC 40	71C ⁽¹⁾	2	1044
373,0	17	3,0	7,50	LWPC 50	71C/80A	2	1433
280,0	23	1,3	10,00	LWBC 40	71C ⁽¹⁾	2	1149

⁽¹⁾ Available only with brake motor (TBS)

0,75 kW

n ₂ [rpm]	M ₂ [Nm]	f _s	i	Gear reducer	Motor		Fr ₂ [N]
					Size	Pole	
280,0	23	3,0	5,00	LWBC 50	80B	4	1577
280,0	23	2,4	10,00	LWBC 50	71C/80A	2	1577
280,0	23	1,3	10,00	LWPC 40	71C ⁽¹⁾	2	1149
280,0	23	3,0	5,00	LWPC 50	80B	4	1577
280,0	23	2,4	10,00	LWPC 50	71C/80A	2	1577
189,0	33	3,3	15,00	LWBC 63	80A	2	2359
189,0	33	3,3	15,00	LWPC 63	80A	2	2359
187,0	33	1,0	15,00	LWBC 40	71C ⁽¹⁾	2	1315
187,0	34	2,3	7,50	LWBC 50	80B	4	1805
187,0	33	1,7	15,00	LWBC 50	71C/80A	2	1805
187,0	34	3,7	7,50	LWBC 63	80B	4	2359
187,0	33	1,0	15,00	LWPC 40	71C ⁽¹⁾	2	1315
187,0	34	2,3	7,50	LWPC 50	80B	4	1805
187,0	33	1,7	15,00	LWPC 50	71C/80A	2	1805
187,0	34	3,7	7,50	LWPC 63	80B	4	2359
184,0	34	2,4	5,00	LWBC 50	80C	6	1827
184,0	34	2,4	5,00	LWPC 50	80C	6	1827
142,0	43	2,4	20,00	LWBC 63	80A	2	2597
142,0	43	2,4	20,00	LWPC 63	80A	2	2597
140,0	45	1,8	10,00	LWBC 50	80B	4	1987
140,0	42	1,2	20,00	LWBC 50	71C/80A	2	1987
140,0	45	3,0	10,00	LWBC 63	80B	4	2597
140,0	45	1,8	10,00	LWPC 50	80B	4	1987
140,0	42	1,2	20,00	LWPC 50	71C/80A	2	1987
140,0	45	3,0	10,00	LWPC 63	80B	4	2597
123,0	50	1,8	7,50	LWBC 50	80C	6	2091
123,0	51	2,9	7,50	LWBC 63	80C/90S	6	2734
123,0	50	1,8	7,50	LWPC 50	80C	6	2091
123,0	51	2,9	7,50	LWPC 63	80C/90S	6	2734
112,0	52	1,0	25,00	LWBC 50	71C/80A	2	2140
112,0	53	1,8	25,00	LWBC 63	80A	2	2797
112,0	52	1,0	25,00	LWPC 50	71C/80A	2	2140
112,0	53	1,8	25,00	LWPC 63	80A	2	2797
95,0	60	2,0	30,00	LWBC 63	80A	2	2973
95,0	60	2,0	30,00	LWPC 63	80A	2	2973
93,0	64	1,3	15,00	LWBC 50	80B	4	2274
93,0	59	1,1	30,00	LWBC 50	71C/80A	2	2274
93,0	64	2,3	15,00	LWBC 63	80B	4	2973
93,0	64	1,3	15,00	LWPC 50	80B	4	2274
93,0	59	1,1	30,00	LWPC 50	71C/80A	2	2274
93,0	64	2,3	15,00	LWPC 63	80B	4	2973
92,0	66	1,4	10,00	LWBC 50	80C	6	2302

⁽¹⁾ Available only with brake motor (TBS)

0,75 kW

n ₂ [rpm]	M ₂ [Nm]	f _s	i	Gear reducer	Motor		Fr ₂ [N]
					Size	Pole	
92,0	66	2,3	10,00	LWBC 63	80C/90S	6	3009
92,0	66	1,4	10,00	LWPC 50	80C	6	2302
92,0	66	2,3	10,00	LWPC 63	80C/90S	6	3009
70,0	82	1,0	20,00	LWBC 50	80B	4	2503
70,0	76	0,8	40,00	LWBC 50	71C ⁽¹⁾	2	2503
70,0	84	1,7	20,00	LWBC 63	80B	4	3272
70,0	78	1,4	40,00	LWBC 63	71C/80A	2	3272
70,0	82	1,0	20,00	LWPC 50	80B	4	2503
70,0	76	0,8	40,00	LWPC 50	71C ⁽¹⁾	2	2503
70,0	84	1,7	20,00	LWPC 63	80B	4	3272
70,0	78	1,4	40,00	LWPC 63	71C/80A	2	3272
70,0	82	3,4	40,00	LXWC 90	80A	2	4273
61,0	93	1,0	15,00	LWBC 50	80C	6	2635
61,0	96	1,8	15,00	LWBC 63	80C/90S	6	3444
61,0	93	1,0	15,00	LWPC 50	80C	6	2635
61,0	96	1,8	15,00	LWPC 63	80C/90S	6	3444
56,0	98	0,7	25,00	LWBC 50	80B	4	2696
56,0	101	1,3	25,00	LWBC 63	80B	4	3524
56,0	92	1,1	50,00	LWBC 63	71C/80A	2	3524
56,0	98	0,7	25,00	LWPC 50	80B	4	2696
56,0	101	1,3	25,00	LWPC 63	80B	4	3524
56,0	92	1,1	50,00	LWPC 63	71C/80A	2	3524
56,0	98	2,7	50,00	LXWC 90	80A	2	4603
47,0	112	0,8	30,00	LWBC 50	80B	4	2865
47,0	115	1,4	30,00	LWBC 63	80B	4	3745
47,0	106	0,9	60,00	LWBC 63	71C/80A	2	3745
47,0	112	0,8	30,00	LWPC 50	80B	4	2865
47,0	115	1,4	30,00	LWPC 63	80B	4	3745
47,0	106	0,9	60,00	LWPC 63	71C/80A	2	3745
47,0	115	2,1	60,00	LXWC 90	80A	2	4891
46,0	121	1,3	20,00	LWBC 63	80C/90S	6	3791
46,0	121	1,3	20,00	LWPC 63	80C/90S	6	3791
46,0	128	3,4	20,00	LXWC 90	90S	6	4951
37,0	148	1,0	25,00	LWBC 63	80C/90S	6	4084
37,0	148	1,0	25,00	LWPC 63	80C/90S	6	4084
37,0	156	2,6	25,00	LXWC 90	90S	6	5333
35,0	145	1,0	40,00	LWBC 63	80B	4	4122
35,0	145	1,0	40,00	LWPC 63	80B	4	4122
35,0	151	2,5	80,00	LXWC 110	80A	2	6803
35,0	156	2,5	40,00	LXWC 90	80B	4	5383
35,0	143	1,6	80,00	LXWC 90	80A	2	5383
31,0	166	1,1	30,00	LWBC 63	80C/90S	6	4339

⁽¹⁾ Available only with brake motor (TBS)

0,75 kW

n ₂ [rpm]	M ₂ [Nm]	f _s	i	Gear reducer	Motor		Fr ₂ [N]
					Size	Pole	
31,0	166	1,1	30,00	LWPC 63	80C/90S	6	4339
31,0	180	3,9	30,00	LXWC 110	90S	6	7161
31,0	178	2,7	30,00	LXWC 90	90S	6	5667
28,0	171	0,8	50,00	LWBC 63	80B	4	4440
28,0	171	0,8	50,00	LWPC 63	80B	4	4440
28,0	178	2,0	100,00	LXWC 110	80A	2	7328
28,0	187	2,0	50,00	LXWC 90	80B	4	5799
28,0	168	1,2	100,00	LXWC 90	80A	2	5799
24,0	189	0,7	60,00	LWBC 63	80B	4	4719
24,0	189	0,7	60,00	LWPC 63	80B	4	4719
23,0	206	0,8	40,00	LWBC 63	80C	6	4776
23,0	206	0,8	40,00	LWPC 63	80C	6	4776
23,0	234	3,0	40,00	LXWC 110	90S	6	7882
23,0	224	2,0	40,00	LXWC 90	80C/90S	6	6238
23,0	215	1,6	60,00	LXWC 90	80B	4	6163
18,0	280	2,4	50,00	LXWC 110	90S	6	8491
18,0	278	1,8	80,00	LXWC 110	80B	4	8571
18,0	269	1,6	50,00	LXWC 90	80C/90S	6	6719
18,0	262	1,1	80,00	LXWC 90	80B	4	6783
15,0	322	2,0	60,00	LXWC 110	90S	6	9023
15,0	304	1,3	60,00	LXWC 90	80C/90S	6	7140
14,3	365	1,8	100,00	LWBC+LXWC 50+110	80B	4	8198
14,3	365	1,6	100,00	LWBC+LXWC 50+90	80B	4	6487
14,3	365	3,0	100,00	LWBC+LXWC 63+110	80B	4	8198
14,3	369	3,0	100,00	LWBC+LXWC 63+130	80B	4	10722
14,0	327	1,4	100,00	LXWC 110	80B	4	9232
14,0	307	0,9	100,00	LXWC 90	80B	4	7306
12,0	399	1,4	80,00	LXWC 110	80C/90S	6	9931
12,0	405	2,1	80,00	LXWC 130	90S	6	12989
12,0	374	0,8	80,00	LXWC 90	80C	6	7859
9,5	527	1,8	150,00	LWBC+LXWC 50+110	80B	4	9384
9,5	521	1,3	150,00	LWBC+LXWC 50+90	80B	4	7426
9,5	527	2,3	150,00	LWBC+LXWC 63+110	80B	4	9384
9,5	521	3,0	150,00	LWBC+LXWC 63+130	80B	4	12274
9,0	459	1,1	100,00	LXWC 110	80C/90S	6	10320
9,0	467	1,7	100,00	LXWC 130	90S	6	13500
7,2	685	1,4	200,00	LWBC+LXWC 50+110	80B	4	10320
7,2	668	0,9	200,00	LWBC+LXWC 50+90	80B	4	8174
7,2	685	1,7	200,00	LWBC+LXWC 63+110	80B	4	10320
7,2	685	2,3	200,00	LWBC+LXWC 63+130	80B	4	13500
5,7	835	1,2	250,00	LWBC+LXWC 50+110	80B	4	10320
5,7	801	0,7	250,00	LWBC+LXWC 50+90	80B	4	8180

0,75 kW

n2 [rpm]	M2 [Nm]	fs	i	Gear reducer	Size	Motor Pole	Fr2 [N]
5,7	835	1,4	250,00	LWBC+LXWC 63+110	80B	4	10320
5,7	835	1,8	250,00	LWBC+LXWC 63+130	80B	4	13500
4,8	895	1,2	300,00	LWBC+LXWC 50+110	80B	4	10320
4,8	895	0,8	300,00	LWBC+LXWC 50+90	80B	4	8180
4,8	895	1,4	300,00	LWBC+LXWC 63+110	80B	4	10320
4,8	908	1,9	300,00	LWBC+LXWC 63+130	80B	4	13500
3,6	1157	0,9	400,00	LWBC+LXWC 50+110	80B	4	10320
3,6	1157	1,0	400,00	LWBC+LXWC 63+110	80B	4	10320
3,6	1157	1,4	400,00	LWBC+LXWC 63+130	80B	4	13500
2,9	1573	0,7	500,00	LWBC+LXWC 63+110	80B	4	10320
2,9	1380	1,1	500,00	LWBC+LXWC 63+130	80B	4	13500
2,4	1686	0,8	600,00	LWBC+LXWC 63+110	80B	4	10320
2,4	1712	1,0	600,00	LWBC+LXWC 63+130	80B	4	13500
1,9	2061	0,9	750,00	LWBC+LXWC 63+130	80B	4	13500
1,6	2348	0,7	900,00	LWBC+LXWC 63+130	80B	4	13500

0,92 kW

n2 [rpm]	M2 [Nm]	fs	i	Gear reducer	Size	Motor Pole	Fr2 [N]
280,0	28	2,4	5,00	LWBC 50	80C ⁽¹⁾	4	1577
280,0	28	2,4	5,00	LWPC 50	80C ⁽¹⁾	4	1577
187,0	41	1,9	7,50	LWBC 50	80C ⁽¹⁾	4	1805
187,0	42	3,1	7,50	LWBC 63	80C ⁽¹⁾	4	2359
187,0	41	1,9	7,50	LWPC 50	80C ⁽¹⁾	4	1805
187,0	42	3,1	7,50	LWPC 63	80C ⁽¹⁾	4	2359
140,0	55	1,4	10,00	LWBC 50	80C ⁽¹⁾	4	1987
140,0	55	2,5	10,00	LWBC 63	80C ⁽¹⁾	4	2597
140,0	55	1,4	10,00	LWPC 50	80C ⁽¹⁾	4	1987
140,0	55	2,5	10,00	LWPC 63	80C ⁽¹⁾	4	2597
93,0	78	1,0	15,00	LWBC 50	80C ⁽¹⁾	4	2274
93,0	79	1,9	15,00	LWBC 63	80C ⁽¹⁾	4	2973
93,0	78	1,0	15,00	LWPC 50	80C ⁽¹⁾	4	2274
93,0	79	1,9	15,00	LWPC 63	80C ⁽¹⁾	4	2973
70,0	100	0,8	20,00	LWBC 50	80C ⁽¹⁾	4	2503
70,0	103	1,4	20,00	LWBC 63	80C ⁽¹⁾	4	3272
70,0	100	0,8	20,00	LWPC 50	80C ⁽¹⁾	4	2503
70,0	103	1,4	20,00	LWPC 63	80C ⁽¹⁾	4	3272
56,0	124	1,1	25,00	LWBC 63	80C ⁽¹⁾	4	3524
56,0	124	1,1	25,00	LWPC 63	80C ⁽¹⁾	4	3524
47,0	141	1,1	30,00	LWBC 63	80C ⁽¹⁾	4	3745
47,0	141	1,1	30,00	LWPC 63	80C ⁽¹⁾	4	3745
35,0	178	0,8	40,00	LWBC 63	80C ⁽¹⁾	4	4122

⁽¹⁾ Available only with brake motor (TBS)

0,92 kW

n2 [rpm]	M2 [Nm]	fs	i	Gear reducer	Size	Motor Pole	Fr2 [N]
35,0	178	0,8	40,00	LWPC 63	80C ⁽¹⁾	4	4122
35,0	191	2,1	40,00	LXWC 90	80C ⁽¹⁾	4	5383
28,0	229	1,6	50,00	LXWC 90	80C ⁽¹⁾	4	5799
23,0	264	1,3	60,00	LXWC 90	80C ⁽¹⁾	4	6163
18,0	341	1,4	80,00	LXWC 110	80C ⁽¹⁾	4	8571
18,0	321	0,9	80,00	LXWC 90	80C ⁽¹⁾	4	6783
14,0	448	1,4	100,00	LWBC+LXWC 50+110	80C ⁽¹⁾	4	8198
14,0	448	1,3	100,00	LWBC+LXWC 50+90	80C ⁽¹⁾	4	6487
14,0	448	2,5	100,00	LWBC+LXWC 63+110	80C ⁽¹⁾	4	8198
14,0	453	2,5	100,00	LWBC+LXWC 63+130	80C ⁽¹⁾	4	10722
14,0	402	1,1	100,00	LXWC 110	80C ⁽¹⁾	4	9232
14,0	377	0,7	100,00	LXWC 90	80C ⁽¹⁾	4	7306
9,3	647	1,4	150,00	LWBC+LXWC 50+110	80C ⁽¹⁾	4	9384
9,3	639	1,0	150,00	LWBC+LXWC 50+90	80C ⁽¹⁾	4	7426
9,3	647	1,8	150,00	LWBC+LXWC 63+110	80C ⁽¹⁾	4	9384
9,3	639	2,5	150,00	LWBC+LXWC 63+130	80C ⁽¹⁾	4	12274
7,0	841	1,2	200,00	LWBC+LXWC 50+110	80C ⁽¹⁾	4	10320
7,0	819	0,7	200,00	LWBC+LXWC 50+90	80C ⁽¹⁾	4	8174
7,0	841	1,4	200,00	LWBC+LXWC 63+110	80C ⁽¹⁾	4	10320
7,0	841	1,9	200,00	LWBC+LXWC 63+130	80C ⁽¹⁾	4	13500
5,6	1024	1,0	250,00	LWBC+LXWC 50+110	80C ⁽¹⁾	4	10320
5,6	1024	1,1	250,00	LWBC+LXWC 63+110	80C ⁽¹⁾	4	10320
5,6	1024	1,5	250,00	LWBC+LXWC 63+130	80C ⁽¹⁾	4	13500
4,7	1097	1,0	300,00	LWBC+LXWC 50+110	80C ⁽¹⁾	4	10320
4,7	1097	1,2	300,00	LWBC+LXWC 63+110	80C ⁽¹⁾	4	10320
4,7	1114	1,6	300,00	LWBC+LXWC 63+130	80C ⁽¹⁾	4	13500
3,5	1420	0,7	400,00	LWBC+LXWC 50+110	80C ⁽¹⁾	4	10320
3,5	1420	0,8	400,00	LWBC+LXWC 63+110	80C ⁽¹⁾	4	10320
3,5	1420	1,2	400,00	LWBC+LXWC 63+130	80C ⁽¹⁾	4	13500
2,8	1693	0,9	500,00	LWBC+LXWC 63+130	80C ⁽¹⁾	4	13500
2,3	2100	0,8	600,00	LWBC+LXWC 63+130	80C ⁽¹⁾	4	13500

1,10 kW

n2 [rpm]	M2 [Nm]	fs	i	Gear reducer	Size	Motor Pole	Fr2 [N]
568,0	17	2,7	5,00	LWBC 50	80B	2	1251
568,0	17	2,7	5,00	LWPC 50	80B	2	1251
379,0	25	2,1	7,50	LWBC 50	80B	2	1433
379,0	25	3,7	7,50	LWBC 63	80B	2	1873
379,0	25	2,1	7,50	LWPC 50	80B	2	1433
379,0	25	3,7	7,50	LWPC 63	80B	2	1873
284,0	33	1,6	10,00	LWBC 50	80B	2	1577

⁽¹⁾ Available only with brake motor (TBS)

1,10 kW

n ₂ [rpm]	M ₂ [Nm]	f _s	i	Gear reducer	Motor		Fr ₂ [N]
					Size	Pole	
284,0	33	3,0	10,00	LWBC 63	80B	2	2061
284,0	33	1,6	10,00	LWPC 50	80B	2	1577
284,0	33	3,0	10,00	LWPC 63	80B	2	2061
282,0	33	2,1	5,00	LWBC 50	80D ⁽¹⁾	4	1577
282,0	33	2,1	5,00	LWPC 50	80D ⁽¹⁾	4	1577
189,0	48	1,2	15,00	LWBC 50	80B	2	1805
189,0	48	2,3	15,00	LWBC 63	80B	2	2359
189,0	48	1,2	15,00	LWPC 50	80B	2	1805
189,0	48	2,3	15,00	LWPC 63	80B	2	2359
188,0	49	1,6	7,50	LWBC 50	80D ⁽¹⁾	4	1805
188,0	50	2,6	7,50	LWBC 63	80D/90S	4	2359
188,0	49	1,6	7,50	LWPC 50	80D ⁽¹⁾	4	1805
188,0	50	2,6	7,50	LWPC 63	80D/90S	4	2359
142,0	62	0,9	20,00	LWBC 50	80B	2	1987
142,0	63	1,7	20,00	LWBC 63	80B	2	2597
142,0	62	0,9	20,00	LWPC 50	80B	2	1987
142,0	63	1,7	20,00	LWPC 63	80B	2	2597
141,0	65	1,2	10,00	LWBC 50	80D ⁽¹⁾	4	1987
141,0	65	2,1	10,00	LWBC 63	80D/90S	4	2597
141,0	65	1,2	10,00	LWPC 50	80D ⁽¹⁾	4	1987
141,0	65	2,1	10,00	LWPC 63	80D/90S	4	2597
124,0	75	2,0	7,50	LWBC 63	90L	6	2734
124,0	75	2,0	7,50	LWPC 63	90L	6	2734
114,0	77	1,2	25,00	LWBC 63	80B	2	2797
114,0	77	1,2	25,00	LWPC 63	80B	2	2797
95,0	88	1,4	30,00	LWBC 63	80B	2	2973
95,0	88	1,4	30,00	LWPC 63	80B	2	2973
94,0	93	0,9	15,00	LWBC 50	80D ⁽¹⁾	4	2274
94,0	86	0,7	30,00	LWBC 50	80B	2	2274
94,0	93	0,9	15,00	LWPC 50	80D ⁽¹⁾	4	2274
94,0	86	0,7	30,00	LWPC 50	80B	2	2274
93,0	96	1,6	10,00	LWBC 63	90L	6	3009
93,0	95	1,6	15,00	LWBC 63	80D/90S	4	2973
93,0	96	1,6	10,00	LWPC 63	90L	6	3009
93,0	95	1,6	15,00	LWPC 63	80D/90S	4	2973
71,0	113	1,0	40,00	LWBC 63	80B	2	3272
71,0	113	1,0	40,00	LWPC 63	80B	2	3272
71,0	119	2,3	40,00	LXWC 90	80B	2	4273
70,0	123	1,2	20,00	LWBC 63	80D/90S	4	3272
70,0	123	1,2	20,00	LWPC 63	80D/90S	4	3272
70,0	128	3,1	20,00	LXWC 90	90S	4	4273
62,0	139	1,2	15,00	LWBC 63	90L	6	3444

⁽¹⁾ Available only with brake motor (TBS)

1,10 kW

n2 [rpm]	M2 [Nm]	fs	i	Gear reducer	Motor		Fr2 [N]
					Size	Pole	
62,0	139	1,2	15,00	LWPC 63	90L	6	3444
62,0	144	3,2	15,00	LXWC 90	90L/100LR	6	4498
57,0	134	0,8	50,00	LWBC 63	80B	2	3524
57,0	134	0,8	50,00	LWPC 63	80B	2	3524
57,0	143	1,9	50,00	LXWC 90	80B	2	4603
56,0	148	0,9	25,00	LWBC 63	80D/90S	4	3524
56,0	148	0,9	25,00	LWPC 63	80D/90S	4	3524
56,0	159	3,7	25,00	LXWC 110	90S	4	5816
56,0	156	2,4	25,00	LXWC 90	90S	4	4603
48,0	186	3,6	20,00	LXWC 110	100LR	6	6256
47,0	176	0,9	20,00	LWBC 63	90L	6	3791
47,0	169	0,9	30,00	LWBC 63	80D/90S	4	3745
47,0	176	0,9	20,00	LWPC 63	90L	6	3791
47,0	169	0,9	30,00	LWPC 63	80D/90S	4	3745
47,0	180	3,4	30,00	LXWC 110	90S	4	6181
47,0	185	2,3	20,00	LXWC 90	90L/100LR	6	4951
47,0	178	2,4	30,00	LXWC 90	90S	4	4891
47,0	167	1,5	60,00	LXWC 90	80B	2	4891
38,0	212	0,7	25,00	LWBC 63	90L	6	4084
38,0	212	0,7	25,00	LWPC 63	90L	6	4084
37,0	232	2,9	25,00	LXWC 110	90L/100LR	6	6739
37,0	226	1,8	25,00	LXWC 90	90L/100LR	6	5333
35,0	212	0,7	40,00	LWBC 63	80D ⁽¹⁾	4	4122
35,0	212	0,7	40,00	LWPC 63	80D ⁽¹⁾	4	4122
35,0	237	2,6	40,00	LXWC 110	90S	4	6803
35,0	220	1,7	80,00	LXWC 110	80B	2	6803
35,0	228	1,7	40,00	LXWC 90	80D/90S	4	5383
35,0	208	1,1	80,00	LXWC 90	80B	2	5383
31,0	241	0,7	30,00	LWBC 63	90L	6	4339
31,0	241	0,7	30,00	LWPC 63	90L	6	4339
31,0	261	2,7	30,00	LXWC 110	90L/100LR	6	7161
31,0	258	1,9	30,00	LXWC 90	90L/100LR	6	5667
28,0	285	2,1	50,00	LXWC 110	90S	4	7328
28,0	260	1,3	100,00	LXWC 110	80B	2	7328
28,0	274	1,4	50,00	LXWC 90	80D/90S	4	5799
28,0	245	0,8	100,00	LXWC 90	80B	2	5799
24,0	336	3,3	40,00	LXWC 130	100LR	6	10309
23,0	339	2,1	40,00	LXWC 110	90L/100LR	6	7882
23,0	333	1,7	60,00	LXWC 110	90S	4	7787
23,0	325	1,4	40,00	LXWC 90	90L	6	6238
23,0	315	1,1	60,00	LXWC 90	80D/90S	4	6163
19,0	407	1,6	50,00	LXWC 110	90L/100LR	6	8491

⁽¹⁾ Available only with brake motor (TBS)

1,10 kW

n2 [rpm]	M2 [Nm]	fs	i	Gear reducer	Motor		Fr2 [N]
					Size	Pole	
19,0	404	2,6	50,00	LXWC 130	100LR	6	11105
19,0	390	1,1	50,00	LXWC 90	90L	6	6719
18,0	408	1,2	80,00	LXWC 110	80D/90S	4	8571
18,0	414	2,0	80,00	LXWC 130	90S	4	11210
18,0	381	0,7	80,00	LXWC 90	80D ⁽¹⁾	4	6783
16,0	468	1,4	60,00	LXWC 110	90L/100LR	6	9023
16,0	464	2,0	60,00	LXWC 130	100LR	6	11801
16,0	441	0,9	60,00	LXWC 90	90L	6	7140
14,1	535	1,2	100,00	LWBC+LXWC 50+110	80D ⁽¹⁾	4	8198
14,1	535	1,1	100,00	LWBC+LXWC 50+90	80D ⁽¹⁾	4	6487
14,1	535	2,1	100,00	LWBC+LXWC 63+110	80D/90S	4	8198
14,1	542	2,1	100,00	LWBC+LXWC 63+130	80D/90S	4	10722
14,0	480	1,0	100,00	LXWC 110	80D/90S	4	9232
14,0	488	1,5	100,00	LXWC 130	90S	4	12076
12,0	578	0,9	80,00	LXWC 110	90L	6	9931
12,0	587	1,5	80,00	LXWC 130	90L/100LR	6	12989
9,4	774	1,2	150,00	LWBC+LXWC 50+110	80D ⁽¹⁾	4	9384
9,4	764	0,9	150,00	LWBC+LXWC 50+90	80D ⁽¹⁾	4	7426
9,4	774	1,5	150,00	LWBC+LXWC 63+110	80D/90S	4	9384
9,4	764	2,1	150,00	LWBC+LXWC 63+130	80D/90S	4	12274
9,0	666	0,7	100,00	LXWC 110	90L	6	10320
9,0	678	1,2	100,00	LXWC 130	90L/100LR	6	13500
7,0	1005	1,0	200,00	LWBC+LXWC 50+110	80D ⁽¹⁾	4	10320
7,0	1005	1,1	200,00	LWBC+LXWC 63+110	80D/90S	4	10320
7,0	1005	1,6	200,00	LWBC+LXWC 63+130	80D/90S	4	13500
5,6	1224	0,8	250,00	LWBC+LXWC 50+110	80D ⁽¹⁾	4	10320
5,6	1224	1,0	250,00	LWBC+LXWC 63+110	80D/90S	4	10320
5,6	1224	1,2	250,00	LWBC+LXWC 63+130	80D/90S	4	13500
4,7	1312	0,8	300,00	LWBC+LXWC 50+110	80D ⁽¹⁾	4	10320
4,7	1312	1,0	300,00	LWBC+LXWC 63+110	80D/90S	4	10320
4,7	1332	1,3	300,00	LWBC+LXWC 63+130	80D/90S	4	13500
3,5	1697	1,0	400,00	LWBC+LXWC 63+130	80D/90S	4	13500
2,8	2024	0,8	500,00	LWBC+LXWC 63+130	80D/90S	4	13500
2,4	2510	0,7	600,00	LWBC+LXWC 63+130	80D/90S	4	13500

1,50 kW

n2 [rpm]	M2 [Nm]	fs	i	Gear reducer	Motor		Fr2 [N]
					Size	Pole	
562,0	23	1,9	5,00	LWBC 50	80C ⁽¹⁾	2	1251
562,0	23	1,9	5,00	LWPC 50	80C ⁽¹⁾	2	1251
375,0	34	1,5	7,50	LWBC 50	80C ⁽¹⁾	2	1433
375,0	35	2,7	7,50	LWBC 63	80C/90S	2	1873

⁽¹⁾ Available only with brake motor (TBS)

1,50 kW

n ₂ [rpm]	M ₂ [Nm]	f _s	i	Gear reducer	Motor		Fr ₂ [N]
					Size	Pole	
375,0	34	1,5	7,50	LWPC 50	80C ⁽¹⁾	2	1433
375,0	35	2,7	7,50	LWPC 63	80C/90S	2	1873
281,0	45	1,2	10,00	LWBC 50	80C ⁽¹⁾	2	1577
281,0	45	2,2	10,00	LWBC 63	80C/90S	2	2061
281,0	45	1,2	10,00	LWPC 50	80C ⁽¹⁾	2	1577
281,0	45	2,2	10,00	LWPC 63	80C/90S	2	2061
187,0	66	0,9	15,00	LWBC 50	80C ⁽¹⁾	2	1805
187,0	68	1,9	7,50	LWBC 63	90L/90LA	4	2359
187,0	67	1,6	15,00	LWBC 63	80C/90S	2	2359
187,0	66	0,9	15,00	LWPC 50	80C ⁽¹⁾	2	1805
187,0	68	1,9	7,50	LWPC 63	90L/90LA	4	2359
187,0	67	1,6	15,00	LWPC 63	80C/90S	2	2359
142,0	89	2,9	20,00	LXWC 90	90S	2	3391
141,0	87	1,2	20,00	LWBC 63	80C/90S	2	2597
141,0	87	1,2	20,00	LWPC 63	80C/90S	2	2597
140,0	89	1,5	10,00	LWBC 63	90L/90LA	4	2597
140,0	89	1,5	10,00	LWPC 63	90L/90LA	4	2597
140,0	91	3,7	10,00	LXWC 90	90L/90LA	4	3391
124,0	103	3,6	7,50	LXWC 90	100L/100LA	6	3570
114,0	111	4,0	25,00	LXWC 110	90S	2	4616
114,0	108	2,3	25,00	LXWC 90	90S	2	3653
112,0	106	0,9	25,00	LWBC 63	80C/90S	2	2797
112,0	106	0,9	25,00	LWPC 63	80C/90S	2	2797
95,0	127	3,4	30,00	LXWC 110	90S	2	4905
95,0	126	2,5	30,00	LXWC 90	90S	2	3882
94,0	121	1,0	30,00	LWBC 63	80C/90S	2	2973
94,0	121	1,0	30,00	LWPC 63	80C/90S	2	2973
93,0	129	1,2	15,00	LWBC 63	90L/90LA	4	2973
93,0	129	1,2	15,00	LWPC 63	90L/90LA	4	2973
93,0	134	3,0	10,00	LXWC 90	100L/100LA	6	3929
93,0	134	3,0	15,00	LXWC 90	90L/90LA	4	3882
71,0	167	2,5	40,00	LXWC 110	90S	2	5399
70,0	168	0,9	20,00	LWBC 63	90L/90LA	4	3272
70,0	155	0,7	40,00	LWBC 63	80C ⁽¹⁾	2	3272
70,0	168	0,9	20,00	LWPC 63	90L/90LA	4	3272
70,0	155	0,7	40,00	LWPC 63	80C ⁽¹⁾	2	3272
70,0	174	2,2	20,00	LXWC 90	90L/90LA	4	4273
70,0	163	1,7	40,00	LXWC 90	80C/90S	2	4273
62,0	199	3,4	15,00	LXWC 110	100L/100LA	6	5684
62,0	196	2,4	15,00	LXWC 90	100L/100LA	6	4498
57,0	202	2,0	50,00	LXWC 110	90S	2	5816
56,0	217	2,7	25,00	LXWC 110	90L/90LA	4	5816

⁽¹⁾ Available only with brake motor (TBS)

1,50 kW

n ₂ [rpm]	M ₂ [Nm]	f _s	i	Gear reducer	Motor		Fr ₂ [N]
					Size	Pole	
56,0	212	1,8	25,00	LXWC 90	90L/90LA	4	4603
56,0	196	1,4	50,00	LXWC 90	80C/90S	2	4603
47,0	227	0,7	30,00	LWBC 63	90L	4	3745
47,0	227	0,7	30,00	LWPC 63	90L	4	3745
47,0	259	2,6	20,00	LXWC 110	100L/100LA	6	6256
47,0	246	2,5	30,00	LXWC 110	90L/90LA	4	6181
47,0	236	1,8	60,00	LXWC 110	90S	2	6181
47,0	253	1,7	20,00	LXWC 90	100L/100LA	6	4951
47,0	243	1,8	30,00	LXWC 90	90L/90LA	4	4891
47,0	229	1,1	60,00	LXWC 90	80C/90S	2	4891
37,0	316	2,1	25,00	LXWC 110	100L/100LA	6	6739
37,0	320	3,3	25,00	LXWC 130	100L/100LA	6	8814
37,0	308	1,3	25,00	LXWC 90	100L/100LA	6	5333
35,0	323	1,9	40,00	LXWC 110	90L/90LA	4	6803
35,0	302	1,3	80,00	LXWC 110	80C/90S	2	6803
35,0	311	1,3	40,00	LXWC 90	90L/90LA	4	5383
35,0	285	0,8	80,00	LXWC 90	80C ⁽¹⁾	2	5383
31,0	356	2,0	30,00	LXWC 110	100L/100LA	6	7161
31,0	365	3,2	30,00	LXWC 130	100L/100LA	6	9366
31,0	351	1,4	30,00	LXWC 90	100L/100LA	6	5667
28,0	389	1,5	50,00	LXWC 110	90L/90LA	4	7328
28,0	357	1,0	100,00	LXWC 110	80C/90S	2	7328
28,0	373	1,0	50,00	LXWC 90	90L/90LA	4	5799
23,0	462	1,5	40,00	LXWC 110	100L/100LA	6	7882
23,0	454	1,3	60,00	LXWC 110	90L/90LA	4	7787
23,0	468	2,3	40,00	LXWC 130	100L/100LA	6	10309
23,0	430	0,8	60,00	LXWC 90	90L/90LA	4	6163
19,0	555	1,2	50,00	LXWC 110	100L/100LA	6	8491
19,0	562	1,9	50,00	LXWC 130	100L/100LA	6	11105
18,0	557	0,9	80,00	LXWC 110	90L/90LA	4	8571
18,0	565	1,5	80,00	LXWC 130	90L/90LA	4	11210
16,0	638	1,0	60,00	LXWC 110	100L/100LA	6	9023
16,0	647	1,5	60,00	LXWC 130	100L/100LA	6	11801
14,2	730	1,5	100,00	LWBC+LXWC 63+110	90L/90LA	4	8198
14,2	739	1,5	100,00	LWBC+LXWC 63+130	90L/90LA	4	10722
14,0	655	0,7	100,00	LXWC 110	90L/90LA	4	9232
14,0	665	1,1	100,00	LXWC 130	90L/90LA	4	12076
12,0	801	1,1	80,00	LXWC 130	100L/100LA	6	12989
9,5	1055	1,1	150,00	LWBC+LXWC 63+110	90L/90LA	4	9384
9,5	1042	1,5	150,00	LWBC+LXWC 63+130	90L/90LA	4	12274
9,0	924	0,8	100,00	LXWC 130	100L/100LA	6	13500
7,1	1371	0,8	200,00	LWBC+LXWC 63+110	90L/90LA	4	10320

⁽¹⁾ Available only with brake motor (TBS)

1,50 kW

n ₂ [rpm]	M ₂ [Nm]	f _s	i	Gear reducer	Motor		Fr ₂ [N]
					Size	Pole	
7,1	1371	1,2	200,00	LWBC+LXWC 63+130	90L/90LA	4	13500
5,7	1669	0,7	250,00	LWBC+LXWC 63+110	90L/90LA	4	10320
5,7	1669	0,9	250,00	LWBC+LXWC 63+130	90L/90LA	4	13500
4,7	1789	0,7	300,00	LWBC+LXWC 63+110	90L/90LA	4	10320
4,7	1816	1,0	300,00	LWBC+LXWC 63+130	90L/90LA	4	13500
3,5	2315	0,7	400,00	LWBC+LXWC 63+130	90L/90LA	4	13500

1,85 kW

n ₂ [rpm]	M ₂ [Nm]	f _s	i	Gear reducer	Motor		Fr ₂ [N]
					Size	Pole	
187,0	84	1,5	7,50	LWBC 63	90LB ⁽¹⁾	4	2359
187,0	84	1,5	7,50	LWPC 63	90LB ⁽¹⁾	4	2359
187,0	85	3,7	7,50	LXWC 90	90LB ⁽¹⁾	4	3081
140,0	110	1,2	10,00	LWBC 63	90LB ⁽¹⁾	4	2597
140,0	110	1,2	10,00	LWPC 63	90LB ⁽¹⁾	4	2597
140,0	112	3,0	10,00	LXWC 90	90LB ⁽¹⁾	4	3391
124,0	127	2,9	7,50	LXWC 90	100LB	6	3570
93,0	159	0,9	15,00	LWBC 63	90LB ⁽¹⁾	4	2973
93,0	159	0,9	15,00	LWPC 63	90LB ⁽¹⁾	4	2973
93,0	167	3,9	10,00	LXWC 110	100LB	6	4965
93,0	165	2,5	10,00	LXWC 90	100LB	6	3929
93,0	165	2,4	15,00	LXWC 90	90LB ⁽¹⁾	4	3882
70,0	207	0,7	20,00	LWBC 63	90LB ⁽¹⁾	4	3272
70,0	207	0,7	20,00	LWPC 63	90LB ⁽¹⁾	4	3272
70,0	215	1,8	20,00	LXWC 90	90LB ⁽¹⁾	4	4273
62,0	245	2,7	15,00	LXWC 110	100LB	6	5684
62,0	242	1,9	15,00	LXWC 90	100LB	6	4498
56,0	268	2,2	25,00	LXWC 110	90LB ⁽¹⁾	4	5816
56,0	262	1,4	25,00	LXWC 90	90LB ⁽¹⁾	4	4603
47,0	319	2,1	20,00	LXWC 110	100LB	6	6256
47,0	303	2,0	30,00	LXWC 110	90LB ⁽¹⁾	4	6181
47,0	312	1,4	20,00	LXWC 90	100LB	6	4951
47,0	299	1,4	30,00	LXWC 90	90LB ⁽¹⁾	4	4891
37,0	389	1,7	25,00	LXWC 110	100LB	6	6739
37,0	394	2,7	25,00	LXWC 130	100LB	6	8814
37,0	380	1,1	25,00	LXWC 90	100LB	6	5333
35,0	399	1,6	40,00	LXWC 110	90LB ⁽¹⁾	4	6803
35,0	384	1,0	40,00	LXWC 90	90LB ⁽¹⁾	4	5383
31,0	439	1,6	30,00	LXWC 110	100LB	6	7161
31,0	450	2,6	30,00	LXWC 130	100LB	6	9366
31,0	433	1,1	30,00	LXWC 90	100LB	6	5667
28,0	480	1,2	50,00	LXWC 110	90LB ⁽¹⁾	4	7328

⁽¹⁾ Available only with brake motor (TBS)

1,85 kW

n ₂ [rpm]	M ₂ [Nm]	f _s	i	Gear reducer	Motor		Fr ₂ [N]
					Size	Pole	
28,0	461	0,8	50,00	LXWC 90	90LB ⁽¹⁾	4	5799
23,0	570	1,2	40,00	LXWC 110	100LB	6	7882
23,0	560	1,0	60,00	LXWC 110	90LB ⁽¹⁾	4	7787
23,0	578	1,9	40,00	LXWC 130	100LB	6	10309
19,0	684	1,0	50,00	LXWC 110	100LB	6	8491
19,0	693	1,5	50,00	LXWC 130	100LB	6	11105
18,0	687	0,7	80,00	LXWC 110	90LB ⁽¹⁾	4	8571
18,0	697	1,2	80,00	LXWC 130	90LB ⁽¹⁾	4	11210
16,0	786	0,8	60,00	LXWC 110	100LB	6	9023
16,0	798	1,2	60,00	LXWC 130	100LB	6	11801
14,0	900	1,2	100,00	LWBC+LXWC 63+110	90LB ⁽¹⁾	4	8198
14,0	911	1,2	100,00	LWBC+LXWC 63+130	90LB ⁽¹⁾	4	10722
14,0	820	0,9	100,00	LXWC 130	90LB ⁽¹⁾	4	12076
12,0	988	0,9	80,00	LXWC 130	100LB	6	12989
9,3	1301	0,9	150,00	LWBC+LXWC 63+110	90LB ⁽¹⁾	4	9384
9,3	1285	1,2	150,00	LWBC+LXWC 63+130	90LB ⁽¹⁾	4	12274
7,0	1691	0,9	200,00	LWBC+LXWC 63+130	90LB ⁽¹⁾	4	13500
5,6	2059	0,7	250,00	LWBC+LXWC 63+130	90LB ⁽¹⁾	4	13500
4,7	2240	0,8	300,00	LWBC+LXWC 63+130	90LB ⁽¹⁾	4	13500

2,20 kW

n ₂ [rpm]	M ₂ [Nm]	f _s	i	Gear reducer	Motor		Fr ₂ [N]
					Size	Pole	
384,0	50	1,9	7,50	LWBC 63	90L	2	1873
384,0	50	1,9	7,50	LWPC 63	90L	2	1873
288,0	65	1,5	10,00	LWBC 63	90L	2	2061
288,0	65	1,5	10,00	LWPC 63	90L	2	2061
288,0	66	3,6	10,00	LXWC 90	90L	2	2692
191,0	96	1,1	15,00	LWBC 63	90L	2	2359
191,0	96	1,1	15,00	LWPC 63	90L	2	2359
191,0	98	2,8	15,00	LXWC 90	90L	2	3081
189,0	100	3,2	7,50	LXWC 90	100LA/112MR	4	3081
143,0	125	0,8	20,00	LWBC 63	90L	2	2597
143,0	125	0,8	20,00	LWPC 63	90L	2	2597
143,0	129	2,0	20,00	LXWC 90	90L	2	3391
142,0	132	2,6	10,00	LXWC 90	100LA/112MR	4	3391
124,0	151	2,5	7,50	LXWC 90	112M/112MA	6	3570
114,0	162	2,7	25,00	LXWC 110	90L	2	4616
114,0	158	1,6	25,00	LXWC 90	90L	2	3653
95,0	193	3,0	15,00	LXWC 110	100LA/112MR	4	4905
95,0	185	2,4	30,00	LXWC 110	90L	2	4905
95,0	193	2,1	15,00	LXWC 90	100LA/112MR	4	3882

⁽¹⁾ Available only with brake motor (TBS)

2,20 kW

n2 [rpm]	M2 [Nm]	fs	i	Gear reducer	Motor		Fr2 [N]
					Size	Pole	
95,0	183	1,7	30,00	LXWC 90	90L	2	3882
93,0	199	3,3	10,00	LXWC 110	112M/112MA	6	4965
93,0	197	2,1	10,00	LXWC 90	112M/112MA	6	3929
72,0	244	1,7	40,00	LXWC 110	90L	2	5399
72,0	235	1,2	40,00	LXWC 90	90L	2	4273
71,0	254	2,3	20,00	LXWC 110	100LA/112MR	4	5399
71,0	252	1,6	20,00	LXWC 90	100LA/112MR	4	4273
62,0	291	2,3	15,00	LXWC 110	112M/112MA	6	5684
62,0	288	1,6	15,00	LXWC 90	112M/112MA	6	4498
57,0	314	1,9	25,00	LXWC 110	100LA/112MR	4	5816
57,0	294	1,4	50,00	LXWC 110	90L	2	5816
57,0	314	3,0	25,00	LXWC 130	100LA/112MR	4	7607
57,0	307	1,2	25,00	LXWC 90	100LA/112MR	4	4603
57,0	283	0,9	50,00	LXWC 90	90L	2	4603
48,0	344	1,3	60,00	LXWC 110	90L	2	6181
48,0	331	0,7	60,00	LXWC 90	90L	2	4891
47,0	380	1,8	20,00	LXWC 110	112M/112MA	6	6256
47,0	355	1,7	30,00	LXWC 110	100LA/112MR	4	6181
47,0	360	2,9	30,00	LXWC 130	100LA/112MR	4	8084
47,0	370	1,2	20,00	LXWC 90	112M/112MA	6	4951
47,0	351	1,2	30,00	LXWC 90	100LA/112MR	4	4891
37,0	463	1,4	25,00	LXWC 110	112M/112MA	6	6739
37,0	469	2,2	25,00	LXWC 130	112M/112MA	6	8814
37,0	452	0,9	25,00	LXWC 90	112M/112MA	6	5333
36,0	468	1,3	40,00	LXWC 110	100LA/112MR	4	6803
36,0	435	0,9	80,00	LXWC 110	90L	2	6803
36,0	468	2,2	40,00	LXWC 130	100LA/112MR	4	8897
31,0	522	1,3	30,00	LXWC 110	112M/112MA	6	7161
31,0	535	2,2	30,00	LXWC 130	112M/112MA	6	9366
31,0	515	0,9	30,00	LXWC 90	112M/112MA	6	5667
28,0	562	1,0	50,00	LXWC 110	100LA/112MR	4	7328
28,0	562	1,7	50,00	LXWC 130	100LA/112MR	4	9584
24,0	657	0,9	60,00	LXWC 110	100LA/112MR	4	7787
24,0	648	1,4	60,00	LXWC 130	100LA/112MR	4	10185
23,0	678	1,0	40,00	LXWC 110	112M/112MA	6	7882
23,0	687	1,6	40,00	LXWC 130	112M/112MA	6	10309
19,0	813	0,8	50,00	LXWC 110	112M/112MA	6	8491
19,0	825	1,3	50,00	LXWC 130	112M/112MA	6	11105
18,0	817	1,0	80,00	LXWC 130	100LA/112MR	4	11210
16,0	906	0,7	60,00	LXWC 110	112M	6	9023
16,0	949	1,0	60,00	LXWC 130	112M/112MA	6	11801
14,0	962	0,8	100,00	LXWC 130	100LA/112MR	4	12076

2,20 kW

n2 [rpm]	M2 [Nm]	fs	i	Gear reducer	Motor Size	Pole	Fr2 [N]
12,0	1175	0,7	80,00	LXWC 130	112M/112MA	6	12989

3,00 kW

n2 [rpm]	M2 [Nm]	fs	i	Gear reducer	Motor Size	Pole	Fr2 [N]
383,0	69	3,0	7,50	LXWC 90	100L/100LA	2	2446
287,0	91	4,0	10,00	LXWC 110	100LA ⁽¹⁾	2	3401
287,0	90	2,6	10,00	LXWC 90	100L/100LA	2	2692
191,0	135	3,0	15,00	LXWC 110	100L/100LA	2	3893
191,0	133	2,0	15,00	LXWC 90	100L/100LA	2	3081
189,0	136	3,9	7,50	LXWC 110	100LB/112MS	4	3893
189,0	136	2,3	7,50	LXWC 90	100LB/112MS	4	3081
144,0	178	2,3	20,00	LXWC 110	100L/100LA	2	4285
144,0	176	1,5	20,00	LXWC 90	100L/100LA	2	3391
142,0	180	3,0	10,00	LXWC 110	100LB/112MS	4	4285
142,0	180	1,9	10,00	LXWC 90	100LB/112MS	4	3391
124,0	206	3,0	7,50	LXWC 110	112MB/132S/132SA	6	4511
124,0	206	1,8	7,50	LXWC 90	112MB	6	3570
115,0	220	2,0	25,00	LXWC 110	100L/100LA	2	4616
115,0	215	1,2	25,00	LXWC 90	100L/100LA	2	3653
96,0	252	1,7	30,00	LXWC 110	100L/100LA	2	4905
96,0	263	3,7	10,00	LXWC 130	132S/132SA	6	6494
96,0	249	1,2	30,00	LXWC 90	100L/100LA	2	3882
95,0	263	2,2	15,00	LXWC 110	100LB/112MS	4	4905
95,0	263	1,5	15,00	LXWC 90	100LB/112MS	4	3882
93,0	271	2,4	10,00	LXWC 110	112MB/132S/132SA	6	4965
93,0	268	1,5	10,00	LXWC 90	112MB	6	3929
72,0	331	1,3	40,00	LXWC 110	100L/100LA	2	5399
71,0	347	1,7	20,00	LXWC 110	100LB/112MS	4	5399
71,0	343	1,1	20,00	LXWC 90	100LB/112MS	4	4273
64,0	381	2,8	15,00	LXWC 130	132S/132SA	6	7434
62,0	397	1,7	15,00	LXWC 110	112MB/132S/132SA	6	5684
62,0	393	1,2	15,00	LXWC 90	112MB	6	4498
57,0	429	1,4	25,00	LXWC 110	100LB/112MS	4	5816
57,0	399	1,0	50,00	LXWC 110	100L/100LA	2	5816
57,0	429	2,2	25,00	LXWC 130	100LB/112MS	4	7607
57,0	419	0,9	25,00	LXWC 90	100LB/112MS	4	4603
48,0	467	0,9	60,00	LXWC 110	100L/100LA	2	6181
48,0	507	2,0	20,00	LXWC 130	132S/132SA	6	8182
47,0	518	1,3	20,00	LXWC 110	112MB/132S/132SA	6	6256
47,0	484	1,2	30,00	LXWC 110	100LB/112MS	4	6181
47,0	490	2,1	30,00	LXWC 130	100LB/112MS	4	8084

⁽¹⁾ Available only with brake motor (TBS)

3,00 kW

n2 [rpm]	M2 [Nm]	fs	i	Gear reducer	Motor		Fr2 [N]
					Size	Pole	
47,0	505	0,8	20,00	LXWC 90	112MB	6	4951
47,0	478	0,9	30,00	LXWC 90	100LB/112MS	4	4891
37,0	632	1,0	25,00	LXWC 110	112MB	6	6739
37,0	639	1,6	25,00	LXWC 130	112MB/132S/132SA	6	8814
36,0	638	1,0	40,00	LXWC 110	100LB/112MS	4	6803
36,0	638	1,6	40,00	LXWC 130	100LB/112MS	4	8897
31,0	712	1,0	30,00	LXWC 110	112MB	6	7161
31,0	730	1,6	30,00	LXWC 130	112MB/132S/132SA	6	9366
28,0	767	0,8	50,00	LXWC 110	100LB/112MS	4	7328
28,0	767	1,3	50,00	LXWC 130	100LB/112MS	4	9584
24,0	884	1,0	60,00	LXWC 130	100LB/112MS	4	10185
23,0	924	0,8	40,00	LXWC 110	112MB	6	7882
23,0	937	1,2	40,00	LXWC 130	112MB/132S/132SA	6	10309
19,0	1124	0,9	50,00	LXWC 130	112MB	6	11105
18,0	1114	0,8	80,00	LXWC 130	100LB/112MS	4	11210
16,0	1294	0,7	60,00	LXWC 130	112MB	6	11801

4,00 kW

n2 [rpm]	M2 [Nm]	fs	i	Gear reducer	Motor		Fr2 [N]
					Size	Pole	
383,0	92	3,7	7,50	LXWC 110	100LB/112M/112MA	2	3090
383,0	92	2,3	7,50	LXWC 90	100LB/112M/112MA	2	2446
287,0	121	3,0	10,00	LXWC 110	100LB/112M/112MA	2	3401
287,0	120	2,0	10,00	LXWC 90	100LB/112M/112MA	2	2692
192,0	179	3,0	7,50	LXWC 110	112M/112MA	4	3893
192,0	179	1,8	7,50	LXWC 90	112M/112MA	4	3081
191,0	180	2,3	15,00	LXWC 110	100LB/112M/112MA	2	3893
191,0	178	1,5	15,00	LXWC 90	100LB/112M/112MA	2	3081
144,0	236	2,3	10,00	LXWC 110	112M/112MA	4	4285
144,0	237	1,7	20,00	LXWC 110	100LB/112M/112MA	2	4285
144,0	236	1,4	10,00	LXWC 90	112M/112MA	4	3391
144,0	234	1,1	20,00	LXWC 90	100LB/112M/112MA	2	3391
128,0	266	2,3	7,50	LXWC 110	132MA	6	4511
128,0	269	3,3	7,50	LXWC 130	132MA	6	5901
115,0	293	1,5	25,00	LXWC 110	100LB/112M/112MA	2	4616
115,0	286	0,9	25,00	LXWC 90	100LB/112M/112MA	2	3653
96,0	350	1,9	10,00	LXWC 110	132MA	6	4965
96,0	346	1,7	15,00	LXWC 110	112M/112MA	4	4905
96,0	335	1,3	30,00	LXWC 110	100LB/112M/112MA	2	4905
96,0	350	2,7	10,00	LXWC 130	132MA	6	6494
96,0	346	1,1	15,00	LXWC 90	112M/112MA	4	3882
96,0	331	0,9	30,00	LXWC 90	100LB/112M/112MA	2	3882

4,00 kW

n2 [rpm]	M2 [Nm]	fs	i	Gear reducer	Motor		Fr2 [N]
					Size	Pole	
72,0	456	1,3	20,00	LXWC 110	112M/112MA	4	5399
72,0	442	0,9	40,00	LXWC 110	100LB/112M/112MA	2	5399
72,0	451	0,9	20,00	LXWC 90	112M/112MA	4	4273
64,0	513	1,3	15,00	LXWC 110	132MA	6	5684
64,0	507	2,1	15,00	LXWC 130	132MA	6	7434
58,0	564	1,0	25,00	LXWC 110	112M/112MA	4	5816
58,0	564	1,6	25,00	LXWC 130	112M/112MA	4	7607
57,0	532	0,8	50,00	LXWC 110	100LB/112M/112MA	2	5816
49,0	610	0,7	60,00	LXWC 110	112M	2	6181
48,0	669	1,0	20,00	LXWC 110	132MA	6	6256
48,0	637	1,0	30,00	LXWC 110	112M/112MA	4	6181
48,0	676	1,5	20,00	LXWC 130	132MA	6	8182
48,0	645	1,6	30,00	LXWC 130	112M/112MA	4	8084
38,0	826	1,3	25,00	LXWC 130	132MA	6	8814
36,0	838	0,7	40,00	LXWC 110	112M/112MA	4	6803
36,0	838	1,3	40,00	LXWC 130	112M/112MA	4	8897
32,0	943	1,2	30,00	LXWC 130	132MA	6	9366
29,0	1008	1,0	50,00	LXWC 130	112M/112MA	4	9584
24,0	1210	0,9	40,00	LXWC 130	132MA	6	10309
24,0	1162	0,8	60,00	LXWC 130	112M/112MA	4	10185

4,80 kW

n2 [rpm]	M2 [Nm]	fs	i	Gear reducer	Motor		Fr2 [N]
					Size	Pole	
191,0	216	2,4	7,50	LXWC 110	112MB ⁽¹⁾	4	3893
191,0	216	1,5	7,50	LXWC 90	112MB ⁽¹⁾	4	3081
143,0	285	1,9	10,00	LXWC 110	112MB ⁽¹⁾	4	4285
143,0	285	1,2	10,00	LXWC 90	112MB ⁽¹⁾	4	3391
95,0	418	1,4	15,00	LXWC 110	112MB ⁽¹⁾	4	4905
95,0	418	0,9	15,00	LXWC 90	112MB ⁽¹⁾	4	3882
72,0	551	1,1	20,00	LXWC 110	112MB ⁽¹⁾	4	5399
72,0	545	0,7	20,00	LXWC 90	112MB ⁽¹⁾	4	4273
57,0	681	0,9	25,00	LXWC 110	112MB ⁽¹⁾	4	5816
57,0	681	1,4	25,00	LXWC 130	112MB ⁽¹⁾	4	7607
48,0	769	0,8	30,00	LXWC 110	112MB ⁽¹⁾	4	6181
48,0	779	1,3	30,00	LXWC 130	112MB ⁽¹⁾	4	8084
36,0	1013	1,0	40,00	LXWC 130	112MB ⁽¹⁾	4	8897
29,0	1218	0,8	50,00	LXWC 130	112MB ⁽¹⁾	4	9584

⁽¹⁾ Available only with brake motor (TBS)

5,50 kW

n2 [rpm]	M2 [Nm]	fs	i	Gear reducer	Motor		Fr2 [N]
					Size	Pole	
388,0	125	2,7	7,50	LXWC 110	112MB/132SA/132S	2	3090
388,0	125	1,7	7,50	LXWC 90	112MB ⁽¹⁾	2	2446
291,0	164	2,2	10,00	LXWC 110	112MB/132SA/132S	2	3401
291,0	162	1,4	10,00	LXWC 90	112MB ⁽¹⁾	2	2692
194,0	244	1,7	15,00	LXWC 110	112MB/132SA/132S	2	3893
194,0	241	1,1	15,00	LXWC 90	112MB ⁽¹⁾	2	3081
193,0	245	2,2	7,50	LXWC 110	132MS/132S	4	3893
193,0	247	3,0	7,50	LXWC 130	132MS/132S	4	5092
146,0	321	1,2	20,00	LXWC 110	112MB/132SA/132S	2	4285
146,0	318	0,8	20,00	LXWC 90	112MB ⁽¹⁾	2	3391
145,0	322	1,7	10,00	LXWC 110	132MS/132S	4	4285
145,0	322	2,5	10,00	LXWC 130	132MS/132S	4	5605
128,0	365	1,7	7,50	LXWC 110	132MB	6	4511
128,0	369	2,4	7,50	LXWC 130	132MB	6	5901
116,0	397	1,1	25,00	LXWC 110	112MB ⁽¹⁾	2	4616
97,0	473	1,2	15,00	LXWC 110	132MS/132S	4	4905
97,0	455	1,0	30,00	LXWC 110	112MB ⁽¹⁾	2	4905
97,0	473	1,9	15,00	LXWC 130	132MS/132S	4	6416
96,0	481	1,4	10,00	LXWC 110	132MB	6	4965
96,0	481	2,0	10,00	LXWC 130	132MB	6	6494
73,0	623	1,0	20,00	LXWC 110	132MS/132S	4	5399
73,0	630	1,4	20,00	LXWC 130	132MS/132S	4	7062
64,0	706	1,0	15,00	LXWC 110	132MB	6	5684
64,0	698	1,5	15,00	LXWC 130	132MB	6	7434
58,0	770	1,2	25,00	LXWC 130	132MS/132S	4	7607
48,0	919	0,7	20,00	LXWC 110	132MB	6	6256
48,0	930	1,1	20,00	LXWC 130	132MB	6	8182
48,0	880	1,2	30,00	LXWC 130	132MS/132S	4	8084
38,0	1135	0,9	25,00	LXWC 130	132MB	6	8814
36,0	1145	0,9	40,00	LXWC 130	132MS/132S	4	8897
32,0	1297	0,9	30,00	LXWC 130	132MB	6	9366

7,50 kW

n2 [rpm]	M2 [Nm]	fs	i	Gear reducer	Motor		Fr2 [N]
					Size	Pole	
388,0	170	2,0	7,50	LXWC 110	132M/132SB	2	3090
291,0	224	1,6	10,00	LXWC 110	132M/132SB	2	3401
194,0	332	1,2	15,00	LXWC 110	132M/132SB	2	3893
193,0	333	1,6	7,50	LXWC 110	132MA/132M	4	3893
193,0	337	2,2	7,50	LXWC 130	132MA/132M	4	5092
146,0	438	0,9	20,00	LXWC 110	132M/132SB	2	4285
145,0	440	1,2	10,00	LXWC 110	132MA/132M	4	4285

⁽¹⁾ Available only with brake motor (TBS)

7,50 kW

n2 [rpm]	M2 [Nm]	fs	i	Gear reducer	Motor		Fr2 [N]
					Size	Pole	
145,0	440	1,9	10,00	LXWC 130	132MA/132M	4	5605
97,0	645	0,9	15,00	LXWC 110	132MA/132M	4	4905
97,0	645	1,4	15,00	LXWC 130	132MA/132M	4	6416
73,0	850	0,7	20,00	LXWC 110	132MA/132M	4	5399
73,0	860	1,1	20,00	LXWC 130	132MA/132M	4	7062
58,0	1050	0,9	25,00	LXWC 130	132MA/132M	4	7607
48,0	1200	0,9	30,00	LXWC 130	132MA/132M	4	8084

9,20 kW

n2 [rpm]	M2 [Nm]	fs	i	Gear reducer	Motor		Fr2 [N]
					Size	Pole	
388,0	208	1,6	7,50	LXWC 110	132M/132MA	2	3090
291,0	275	1,3	10,00	LXWC 110	132M/132MA	2	3401
194,0	408	1,0	15,00	LXWC 110	132M/132MA	2	3893
193,0	409	1,3	7,50	LXWC 110	132MB	4	3893
193,0	414	1,8	7,50	LXWC 130	132MB	4	5092
145,0	539	1,0	10,00	LXWC 110	132MB	4	4285
145,0	539	1,5	10,00	LXWC 130	132MB	4	5605
97,0	791	0,7	15,00	LXWC 110	132MB	4	4905
97,0	791	1,2	15,00	LXWC 130	132MB	4	6416
73,0	1054	0,9	20,00	LXWC 130	132MB	4	7062
58,0	1288	0,7	25,00	LXWC 130	132MB	4	7607
48,0	1472	0,7	30,00	LXWC 130	132MB	4	8084

11,00 kW

n2 [rpm]	M2 [Nm]	fs	i	Gear reducer	Motor		Fr2 [N]
					Size	Pole	
388,0	249	1,4	7,50	LXWC 110	132MB ⁽¹⁾	2	3090
291,0	329	1,1	10,00	LXWC 110	132MB ⁽¹⁾	2	3401
192,0	492	1,1	7,50	LXWC 110	132MC ⁽¹⁾	4	3893
192,0	498	1,5	7,50	LXWC 130	132MC ⁽¹⁾	4	5092
144,0	649	0,8	10,00	LXWC 110	132MC ⁽¹⁾	4	4285
144,0	649	1,3	10,00	LXWC 130	132MC ⁽¹⁾	4	5605
96,0	952	1,0	15,00	LXWC 130	132MC ⁽¹⁾	4	6416
72,0	1269	0,7	20,00	LXWC 130	132MC ⁽¹⁾	4	7062

⁽¹⁾ Available only with brake motor (TBS)

LWP 30

Mn_2 [Nm]	i	Pn_1 [kW]	n_2 [rpm]	Fr_1 [N]	Fr_2 [N]
12	5,00	0,79	560,0	115	474
13	7,50	0,58	373,0	125	542
13	10,00	0,44	280,0	140	597
13	15,00	0,31	187,0	140	683
12	20,00	0,22	140,0	146	752
16	25,00	0,25	112,0	210	810
15	30,00	0,20	93,0	210	861
14	40,00	0,15	70,0	127	948
13	50,00	0,12	56,0	128	1021
12	60,00	0,10	47,0	126	1085
11	80,00	0,08	35,0	130	1194

LWP 40

Mn_2 [Nm]	i	Pn_1 [kW]	n_2 [rpm]	Fr_1 [N]	Fr_2 [N]
24	5,00	1,56	560,0	200	912
28	7,50	1,23	373,0	233	1044
29	10,00	0,97	280,0	272	1149
31	15,00	0,71	187,0	291	1315
29	20,00	0,51	140,0	204	1447
28	25,00	0,41	112,0	236	1559
34	30,00	0,43	93,0	350	1657
31	40,00	0,31	70,0	350	1824
30	50,00	0,25	56,0	350	1964
28	60,00	0,21	47,0	350	2087
25	80,00	0,15	35,0	350	2298
23	100,00	0,12	28,0	350	2475

LWP 50

Mn_2 [Nm]	i	Pn_1 [kW]	n_2 [rpm]	Fr_1 [N]	Fr_2 [N]
45	5,00	2,90	560,0	280	1251
52	7,50	2,26	373,0	324	1433
54	10,00	1,78	280,0	378	1577
57	15,00	1,30	187,0	399	1805
53	20,00	0,94	140,0	417	1987
51	25,00	0,74	112,0	482	2140
64	30,00	0,81	93,0	490	2274
59	40,00	0,58	70,0	490	2503
53	50,00	0,44	56,0	490	2696
50	60,00	0,36	47,0	490	2865

LWP 50

Mn_2 [Nm]	i	Pn_1 [kW]	n_2 [rpm]	Fr_1 [N]	Fr_2 [N]
45	80,00	0,27	35,0	490	3153
40	100,00	0,21	28,0	490	3397

LWP 63

Mn_2 [Nm]	i	Pn_1 [kW]	n_2 [rpm]	Fr_1 [N]	Fr_2 [N]
94	7,50	4,03	373,0	395	1873
99	10,00	3,27	280,0	471	2061
109	15,00	2,45	187,0	516	2359
104	20,00	1,80	140,0	556	2597
96	25,00	1,35	112,0	613	2797
121	30,00	1,49	93,0	700	2973
113	40,00	1,09	70,0	700	3272
105	50,00	0,85	56,0	700	3524
99	60,00	0,70	47,0	700	3745
88	80,00	0,50	35,0	700	4122
79	100,00	0,39	28,0	700	4440

LWP 30

Mn_2 [Nm]	i	Pn_1 [kW]	n_2 [rpm]	Fr_1 [N]	Fr_2 [N]
18	5,00	0,76	350,0	150	554
18	7,50	0,52	233,0	150	634
18	10,00	0,40	175,0	169	698
18	15,00	0,28	117,0	169	799
17	20,00	0,21	88,0	179	880
21	25,00	0,22	70,0	210	948
20	30,00	0,19	58,0	210	1007
18	40,00	0,14	44,0	210	1108
17	50,00	0,11	35,0	210	1194
15	60,00	0,09	29,0	210	1269
12	80,00	0,06	22,0	210	1396

LWP 40

Mn_2 [Nm]	i	Pn_1 [kW]	n_2 [rpm]	Fr_1 [N]	Fr_2 [N]
34	5,00	1,41	350,0	250	1066
40	7,50	1,12	233,0	291	1221
42	10,00	0,90	175,0	343	1344
42	15,00	0,62	117,0	343	1538
41	20,00	0,47	88,0	350	1693
37	25,00	0,36	70,0	350	1824
46	30,00	0,39	58,0	350	1938
43	40,00	0,30	44,0	350	2133
40	50,00	0,23	35,0	350	2298
36	60,00	0,19	29,0	350	2442
31	80,00	0,14	22,0	350	2687
28	100,00	0,11	18,0	350	2895

LWP 50

Mn_2 [Nm]	i	Pn_1 [kW]	n_2 [rpm]	Fr_1 [N]	Fr_2 [N]
65	5,00	2,66	350,0	350	1464
73	7,50	2,03	233,0	396	1676
75	10,00	1,58	175,0	490	1844
77	15,00	1,13	117,0	490	2111
74	20,00	0,85	88,0	490	2324
67	25,00	0,64	70,0	490	2503
84	30,00	0,70	58,0	490	2660
78	40,00	0,52	44,0	490	2927
73	50,00	0,42	35,0	490	3153
68	60,00	0,35	29,0	490	3351

LWP 50

Mn_2 [Nm]	i	Pn_1 [kW]	n_2 [rpm]	Fr_1 [N]	Fr_2 [N]
62	80,00	0,26	22,0	490	3688
52	100,00	0,19	18,0	490	3973

LWP 63

Mn_2 [Nm]	i	Pn_1 [kW]	n_2 [rpm]	Fr_1 [N]	Fr_2 [N]
122	7,50	3,32	233,0	500	2190
125	10,00	2,63	175,0	579	2411
140	15,00	2,02	117,0	646	2759
138	20,00	1,53	88,0	700	3037
127	25,00	1,17	70,0	700	3272
152	30,00	1,22	58,0	700	3477
142	40,00	0,91	44,0	700	3827
136	50,00	0,73	35,0	700	4122
128	60,00	0,61	29,0	700	4380
116	80,00	0,45	22,0	700	4821
112	100,00	0,38	18,0	700	5193

LWP 30

Mn_2 [Nm]	i	Pn_1 [kW]	n_2 [rpm]	Fr_1 [N]	Fr_2 [N]
19	5,00	0,64	280,0	150	597
19	7,50	0,44	187,0	150	683
19	10,00	0,34	140,0	169	752
19	15,00	0,24	93,0	169	861
18	20,00	0,18	70,0	180	948
22	25,00	0,19	56,0	210	1021
21	30,00	0,16	47,0	210	1085
19	40,00	0,12	35,0	210	1194
18	50,00	0,09	28,0	210	1286
16	60,00	0,08	23,0	210	1367
13	80,00	0,05	18,0	210	1504

LWP 40

Mn_2 [Nm]	i	Pn_1 [kW]	n_2 [rpm]	Fr_1 [N]	Fr_2 [N]
36	5,00	1,19	280,0	250	1149
42	7,50	0,94	187,0	292	1315
44	10,00	0,76	140,0	344	1447
44	15,00	0,52	93,0	344	1657
43	20,00	0,40	70,0	350	1824
39	25,00	0,30	56,0	350	1964
48	30,00	0,33	47,0	350	2087
45	40,00	0,25	35,0	350	2298
42	50,00	0,20	28,0	350	2475
38	60,00	0,16	23,0	350	2630
33	80,00	0,11	18,0	350	2895
29	100,00	0,09	14,0	350	3118

LWP 50

Mn_2 [Nm]	i	Pn_1 [kW]	n_2 [rpm]	Fr_1 [N]	Fr_2 [N]
68	5,00	2,24	280,0	350	1577
77	7,50	1,71	187,0	396	1805
79	10,00	1,33	140,0	490	1987
81	15,00	0,95	93,0	490	2274
78	20,00	0,71	70,0	490	2503
71	25,00	0,54	56,0	490	2696
88	30,00	0,59	47,0	490	2865
82	40,00	0,44	35,0	490	3153
77	50,00	0,35	28,0	490	3397
72	60,00	0,29	23,0	490	3610

LWP 50

Mn_2 [Nm]	i	Pn_1 [kW]	n_2 [rpm]	Fr_1 [N]	Fr_2 [N]
65	80,00	0,22	18,0	490	3973
55	100,00	0,16	14,0	490	4280

LWP 63

Mn_2 [Nm]	i	Pn_1 [kW]	n_2 [rpm]	Fr_1 [N]	Fr_2 [N]
128	7,50	2,81	187,0	500	2359
135	10,00	2,28	140,0	595	2597
150	15,00	1,75	93,0	660	2973
146	20,00	1,30	70,0	700	3272
134	25,00	0,99	56,0	700	3524
160	30,00	1,04	47,0	700	3745
149	40,00	0,77	35,0	700	4122
143	50,00	0,63	28,0	700	4440
135	60,00	0,52	23,0	700	4719
122	80,00	0,39	18,0	700	5193
118	100,00	0,33	14,0	700	5595

LWP 30

Mn_2 [Nm]	i	Pn_1 [kW]	n_2 [rpm]	Fr_1 [N]	Fr_2 [N]
20	5,00	0,56	228,0	175	639
20	7,50	0,38	152,0	175	732
20	10,00	0,29	114,0	197	805
20	15,00	0,21	76,0	197	922
19	20,00	0,16	57,0	210	1015
23	25,00	0,16	46,0	210	1093
21	30,00	0,13	38,0	210	1162
20	40,00	0,10	29,0	210	1278
19	50,00	0,08	23,0	210	1377
17	60,00	0,07	19,0	210	1463
14	80,00	0,05	14,0	210	1611

LWP 40

Mn_2 [Nm]	i	Pn_1 [kW]	n_2 [rpm]	Fr_1 [N]	Fr_2 [N]
39	5,00	1,06	228,0	290	1230
44	7,50	0,81	152,0	327	1408
46	10,00	0,65	114,0	350	1550
47	15,00	0,46	76,0	350	1774
46	20,00	0,35	57,0	350	1953
42	25,00	0,27	46,0	350	2104
51	30,00	0,29	38,0	350	2235
48	40,00	0,22	29,0	350	2460
44	50,00	0,17	23,0	350	2650
40	60,00	0,14	19,0	350	2816
34	80,00	0,10	14,0	350	3100
31	100,00	0,08	11,0	350	3339

LWP 50

Mn_2 [Nm]	i	Pn_1 [kW]	n_2 [rpm]	Fr_1 [N]	Fr_2 [N]
75	5,00	2,01	228,0	400	1689
84	7,50	1,54	152,0	448	1933
86	10,00	1,19	114,0	490	2127
86	15,00	0,84	76,0	490	2435
80	20,00	0,61	57,0	490	2680
73	25,00	0,46	46,0	490	2887
91	30,00	0,51	38,0	490	3068
85	40,00	0,38	29,0	490	3377
79	50,00	0,30	23,0	490	3638
74	60,00	0,25	19,0	490	3866

LWP 50

Mn_2 [Nm]	i	Pn_1 [kW]	n_2 [rpm]	Fr_1 [N]	Fr_2 [N]
66	80,00	0,19	14,0	490	4255
55	100,00	0,14	11,0	490	4583

LWP 63

Mn_2 [Nm]	i	Pn_1 [kW]	n_2 [rpm]	Fr_1 [N]	Fr_2 [N]
139	7,50	2,51	152,0	580	2527
143	10,00	1,97	114,0	667	2781
159	15,00	1,52	76,0	700	3183
154	20,00	1,14	57,0	700	3504
141	25,00	0,87	46,0	700	3774
168	30,00	0,91	38,0	700	4011
160	40,00	0,69	29,0	700	4414
152	50,00	0,56	23,0	700	4755
144	60,00	0,47	19,0	700	5053
129	80,00	0,34	14,0	700	5562
121	100,00	0,29	11,0	700	5991

LWP 30

Mn_2 [Nm]	i	Pn_1 [kW]	n_2 [rpm]	Fr_1 [N]	Fr_2 [N]
21	5,00	0,47	180,0	175	692
21	7,50	0,32	120,0	175	792
21	10,00	0,24	90,0	197	871
21	15,00	0,18	60,0	197	997
20	20,00	0,13	45,0	210	1098
24	25,00	0,14	36,0	210	1183
22	30,00	0,11	30,0	210	1257
21	40,00	0,09	23,0	210	1383
19	50,00	0,07	18,0	210	1490
17	60,00	0,06	15,0	210	1583
15	80,00	0,04	11,0	210	1743

LWP 40

Mn_2 [Nm]	i	Pn_1 [kW]	n_2 [rpm]	Fr_1 [N]	Fr_2 [N]
42	5,00	0,91	180,0	290	1331
46	7,50	0,68	120,0	318	1524
48	10,00	0,55	90,0	350	1677
50	15,00	0,40	60,0	350	1920
48	20,00	0,30	45,0	350	2113
45	25,00	0,23	36,0	350	2276
53	30,00	0,25	30,0	350	2419
50	40,00	0,19	23,0	350	2662
46	50,00	0,15	18,0	350	2868
41	60,00	0,12	15,0	350	3047
35	80,00	0,08	11,0	350	3354
32	100,00	0,07	9,0	350	3490

LWP 50

Mn_2 [Nm]	i	Pn_1 [kW]	n_2 [rpm]	Fr_1 [N]	Fr_2 [N]
82	5,00	1,76	180,0	400	1827
91	7,50	1,33	120,0	444	2091
92	10,00	1,02	90,0	490	2302
92	15,00	0,72	60,0	490	2635
83	20,00	0,51	45,0	490	2900
76	25,00	0,39	36,0	490	3124
94	30,00	0,43	30,0	490	3320
88	40,00	0,32	23,0	490	3654
81	50,00	0,25	18,0	490	3936
76	60,00	0,21	15,0	490	4183

LWP 50

Mn_2 [Nm]	i	Pn_1 [kW]	n2 [rpm]	Fr1 [N]	Fr2 [N]
68	80,00	0,16	11,0	490	4604
56	100,00	0,12	9,0	490	4840

LWP 63

Mn_2 [Nm]	i	Pn_1 [kW]	n2 [rpm]	Fr1 [N]	Fr2 [N]
151	7,50	2,16	120,0	580	2734
153	10,00	1,70	90,0	661	3009
171	15,00	1,31	60,0	700	3444
163	20,00	0,99	45,0	700	3791
149	25,00	0,74	36,0	700	4084
177	30,00	0,78	30,0	700	4339
171	40,00	0,61	23,0	700	4776
161	50,00	0,49	18,0	700	5145
153	60,00	0,41	15,0	700	5467
137	80,00	0,30	11,0	700	6018
124	100,00	0,24	9,0	700	6270

LWP 30

Mn_2 [Nm]	i	Pn_1 [kW]	n_2 [rpm]	Fr_1 [N]	Fr_2 [N]
25	5,00	0,31	100,0	210	841
25	7,50	0,22	67,0	210	963
25	10,00	0,17	50,0	210	1060
25	15,00	0,12	33,0	210	1213
23	20,00	0,09	25,0	210	1336
30	25,00	0,10	20,0	210	1439
27	30,00	0,08	17,0	210	1529
24	40,00	0,06	13,0	210	1683
22	50,00	0,05	10,0	210	1813
19	60,00	0,04	8,0	210	1830
17	80,00	0,03	6,0	210	1830

LWP 40

Mn_2 [Nm]	i	Pn_1 [kW]	n_2 [rpm]	Fr_1 [N]	Fr_2 [N]
52	5,00	0,63	100,0	350	1619
56	7,50	0,47	67,0	350	1853
59	10,00	0,38	50,0	350	2040
61	15,00	0,28	33,0	350	2335
57	20,00	0,20	25,0	350	2570
51	25,00	0,15	20,0	350	2769
62	30,00	0,17	17,0	350	2942
58	40,00	0,13	13,0	350	3238
53	50,00	0,10	10,0	350	3488
48	60,00	0,08	8,0	350	3490
40	80,00	0,06	6,0	350	3490
36	100,00	0,05	5,0	350	3490

LWP 50

Mn_2 [Nm]	i	Pn_1 [kW]	n_2 [rpm]	Fr_1 [N]	Fr_2 [N]
101	5,00	1,23	100,0	490	2222
112	7,50	0,93	67,0	490	2544
113	10,00	0,72	50,0	490	2800
113	15,00	0,51	33,0	490	3205
100	20,00	0,35	25,0	490	3528
92	25,00	0,28	20,0	490	3800
113	30,00	0,30	17,0	490	4038
105	40,00	0,23	13,0	490	4445
96	50,00	0,18	10,0	490	4788
87	60,00	0,15	8,0	490	4840

LWP 50

Mn_2 [Nm]	i	Pn_1 [kW]	n_2 [rpm]	Fr_1 [N]	Fr_2 [N]
75	80,00	0,11	6,0	490	4840
65	100,00	0,08	5,0	490	4840

LWP 63

Mn_2 [Nm]	i	Pn_1 [kW]	n_2 [rpm]	Fr_1 [N]	Fr_2 [N]
184	7,50	1,49	67,0	700	3325
185	10,00	1,18	50,0	700	3660
200	15,00	0,90	33,0	700	4190
194	20,00	0,68	25,0	700	4611
178	25,00	0,52	20,0	700	4967
213	30,00	0,56	17,0	700	5279
206	40,00	0,44	13,0	700	5810
195	50,00	0,36	10,0	700	6259
180	60,00	0,29	8,0	700	6270
151	80,00	0,21	6,0	700	6270
128	100,00	0,16	5,0	700	6270

LWB 30

Mn_2 [Nm]	i	Pn_1 [kW]	n_2 [rpm]	Fr_1 [N]	Fr_2 [N]
12	5,00	0,79	560,0	115	474
13	7,50	0,58	373,0	125	542
13	10,00	0,44	280,0	140	597
13	15,00	0,31	187,0	140	683
12	20,00	0,22	140,0	146	752
16	25,00	0,25	112,0	210	810
15	30,00	0,20	93,0	210	861
14	40,00	0,15	70,0	127	948
13	50,00	0,12	56,0	128	1021
12	60,00	0,10	47,0	126	1085
11	80,00	0,08	35,0	130	1194

LWB 40

Mn_2 [Nm]	i	Pn_1 [kW]	n_2 [rpm]	Fr_1 [N]	Fr_2 [N]
24	5,00	1,56	560,0	200	912
28	7,50	1,23	373,0	233	1044
29	10,00	0,97	280,0	272	1149
31	15,00	0,71	187,0	291	1315
29	20,00	0,51	140,0	204	1447
28	25,00	0,41	112,0	236	1559
34	30,00	0,43	93,0	350	1657
31	40,00	0,31	70,0	350	1824
30	50,00	0,25	56,0	350	1964
28	60,00	0,21	47,0	350	2087
25	80,00	0,15	35,0	350	2298
23	100,00	0,12	28,0	350	2475

LWB 50

Mn_2 [Nm]	i	Pn_1 [kW]	n_2 [rpm]	Fr_1 [N]	Fr_2 [N]
45	5,00	2,90	560,0	280	1251
52	7,50	2,26	373,0	324	1433
54	10,00	1,78	280,0	378	1577
57	15,00	1,30	187,0	399	1805
53	20,00	0,94	140,0	417	1987
51	25,00	0,74	112,0	482	2140
64	30,00	0,81	93,0	490	2274
59	40,00	0,58	70,0	490	2503
53	50,00	0,44	56,0	490	2696
50	60,00	0,36	47,0	490	2865

LWB 50

Mn_2 [Nm]	i	Pn_1 [kW]	n_2 [rpm]	Fr_1 [N]	Fr_2 [N]
45	80,00	0,27	35,0	490	3153
40	100,00	0,21	28,0	490	3397

LWB 63

Mn_2 [Nm]	i	Pn_1 [kW]	n_2 [rpm]	Fr_1 [N]	Fr_2 [N]
94	7,50	4,03	373,0	395	1873
99	10,00	3,27	280,0	471	2061
109	15,00	2,45	187,0	516	2359
104	20,00	1,80	140,0	556	2597
96	25,00	1,35	112,0	613	2797
121	30,00	1,49	93,0	700	2973
113	40,00	1,09	70,0	700	3272
105	50,00	0,85	56,0	700	3524
99	60,00	0,70	47,0	700	3745
88	80,00	0,50	35,0	700	4122
79	100,00	0,39	28,0	700	4440

LWB 30

Mn_2 [Nm]	i	Pn_1 [kW]	n_2 [rpm]	Fr_1 [N]	Fr_2 [N]
18	5,00	0,76	350,0	150	554
18	7,50	0,52	233,0	150	634
18	10,00	0,40	175,0	169	698
18	15,00	0,28	117,0	169	799
17	20,00	0,21	88,0	179	880
21	25,00	0,22	70,0	210	948
20	30,00	0,19	58,0	210	1007
18	40,00	0,14	44,0	210	1108
17	50,00	0,11	35,0	210	1194
15	60,00	0,09	29,0	210	1269
12	80,00	0,06	22,0	210	1396

LWB 40

Mn_2 [Nm]	i	Pn_1 [kW]	n_2 [rpm]	Fr_1 [N]	Fr_2 [N]
34	5,00	1,41	350,0	250	1066
40	7,50	1,12	233,0	291	1221
42	10,00	0,90	175,0	343	1344
42	15,00	0,62	117,0	343	1538
41	20,00	0,47	88,0	350	1693
37	25,00	0,36	70,0	350	1824
46	30,00	0,39	58,0	350	1938
43	40,00	0,30	44,0	350	2133
40	50,00	0,23	35,0	350	2298
36	60,00	0,19	29,0	350	2442
31	80,00	0,14	22,0	350	2687
28	100,00	0,11	18,0	350	2895

LWB 50

Mn_2 [Nm]	i	Pn_1 [kW]	n_2 [rpm]	Fr_1 [N]	Fr_2 [N]
65	5,00	2,66	350,0	350	1464
73	7,50	2,03	233,0	396	1676
75	10,00	1,58	175,0	490	1844
77	15,00	1,13	117,0	490	2111
74	20,00	0,85	88,0	490	2324
67	25,00	0,64	70,0	490	2503
84	30,00	0,70	58,0	490	2660
78	40,00	0,52	44,0	490	2927
73	50,00	0,42	35,0	490	3153
68	60,00	0,35	29,0	490	3351

LWB 50

Mn_2 [Nm]	i	Pn_1 [kW]	n_2 [rpm]	Fr_1 [N]	Fr_2 [N]
62	80,00	0,26	22,0	490	3688
52	100,00	0,19	18,0	490	3973

LWB 63

Mn_2 [Nm]	i	Pn_1 [kW]	n_2 [rpm]	Fr_1 [N]	Fr_2 [N]
122	7,50	3,32	233,0	500	2190
125	10,00	2,63	175,0	579	2411
140	15,00	2,02	117,0	646	2759
138	20,00	1,53	88,0	700	3037
127	25,00	1,17	70,0	700	3272
152	30,00	1,22	58,0	700	3477
142	40,00	0,91	44,0	700	3827
136	50,00	0,73	35,0	700	4122
128	60,00	0,61	29,0	700	4380
116	80,00	0,45	22,0	700	4821
112	100,00	0,38	18,0	700	5193

LWB 30

Mn_2 [Nm]	i	Pn_1 [kW]	n_2 [rpm]	Fr_1 [N]	Fr_2 [N]
19	5,00	0,64	280,0	150	597
19	7,50	0,44	187,0	150	683
19	10,00	0,34	140,0	169	752
19	15,00	0,24	93,0	169	861
18	20,00	0,18	70,0	180	948
22	25,00	0,19	56,0	210	1021
21	30,00	0,16	47,0	210	1085
19	40,00	0,12	35,0	210	1194
18	50,00	0,09	28,0	210	1286
16	60,00	0,08	23,0	210	1367
13	80,00	0,05	18,0	210	1504

LWB 40

Mn_2 [Nm]	i	Pn_1 [kW]	n_2 [rpm]	Fr_1 [N]	Fr_2 [N]
36	5,00	1,19	280,0	250	1149
42	7,50	0,94	187,0	292	1315
44	10,00	0,76	140,0	344	1447
44	15,00	0,52	93,0	344	1657
43	20,00	0,40	70,0	350	1824
39	25,00	0,30	56,0	350	1964
48	30,00	0,33	47,0	350	2087
45	40,00	0,25	35,0	350	2298
42	50,00	0,20	28,0	350	2475
38	60,00	0,16	23,0	350	2630
33	80,00	0,11	18,0	350	2895
29	100,00	0,09	14,0	350	3118

LWB 50

Mn_2 [Nm]	i	Pn_1 [kW]	n_2 [rpm]	Fr_1 [N]	Fr_2 [N]
68	5,00	2,24	280,0	350	1577
77	7,50	1,71	187,0	396	1805
79	10,00	1,33	140,0	490	1987
81	15,00	0,95	93,0	490	2274
78	20,00	0,71	70,0	490	2503
71	25,00	0,54	56,0	490	2696
88	30,00	0,59	47,0	490	2865
82	40,00	0,44	35,0	490	3153
77	50,00	0,35	28,0	490	3397
72	60,00	0,29	23,0	490	3610

LWB 50

Mn_2 [Nm]	i	Pn_1 [kW]	n_2 [rpm]	Fr_1 [N]	Fr_2 [N]
65	80,00	0,22	18,0	490	3973
55	100,00	0,16	14,0	490	4280

LWB 63

Mn_2 [Nm]	i	Pn_1 [kW]	n_2 [rpm]	Fr_1 [N]	Fr_2 [N]
128	7,50	2,81	187,0	500	2359
135	10,00	2,28	140,0	595	2597
150	15,00	1,75	93,0	660	2973
146	20,00	1,30	70,0	700	3272
134	25,00	0,99	56,0	700	3524
160	30,00	1,04	47,0	700	3745
149	40,00	0,77	35,0	700	4122
143	50,00	0,63	28,0	700	4440
135	60,00	0,52	23,0	700	4719
122	80,00	0,39	18,0	700	5193
118	100,00	0,33	14,0	700	5595

LWB 30

Mn_2 [Nm]	i	Pn_1 [kW]	n_2 [rpm]	Fr_1 [N]	Fr_2 [N]
20	5,00	0,56	228,0	175	639
20	7,50	0,38	152,0	175	732
20	10,00	0,29	114,0	197	805
20	15,00	0,21	76,0	197	922
19	20,00	0,16	57,0	210	1015
23	25,00	0,16	46,0	210	1093
21	30,00	0,13	38,0	210	1162
20	40,00	0,10	29,0	210	1278
19	50,00	0,08	23,0	210	1377
17	60,00	0,07	19,0	210	1463
14	80,00	0,05	14,0	210	1611

LWB 40

Mn_2 [Nm]	i	Pn_1 [kW]	n_2 [rpm]	Fr_1 [N]	Fr_2 [N]
39	5,00	1,06	228,0	290	1230
44	7,50	0,81	152,0	327	1408
46	10,00	0,65	114,0	350	1550
47	15,00	0,46	76,0	350	1774
46	20,00	0,35	57,0	350	1953
42	25,00	0,27	46,0	350	2104
51	30,00	0,29	38,0	350	2235
48	40,00	0,22	29,0	350	2460
44	50,00	0,17	23,0	350	2650
40	60,00	0,14	19,0	350	2816
34	80,00	0,10	14,0	350	3100
31	100,00	0,08	11,0	350	3339

LWB 50

Mn_2 [Nm]	i	Pn_1 [kW]	n_2 [rpm]	Fr_1 [N]	Fr_2 [N]
75	5,00	2,01	228,0	400	1689
84	7,50	1,54	152,0	448	1933
86	10,00	1,19	114,0	490	2127
86	15,00	0,84	76,0	490	2435
80	20,00	0,61	57,0	490	2680
73	25,00	0,46	46,0	490	2887
91	30,00	0,51	38,0	490	3068
85	40,00	0,38	29,0	490	3377
79	50,00	0,30	23,0	490	3638
74	60,00	0,25	19,0	490	3866

LWB 50

Mn_2 [Nm]	i	Pn_1 [kW]	n_2 [rpm]	Fr_1 [N]	Fr_2 [N]
66	80,00	0,19	14,0	490	4255
55	100,00	0,14	11,0	490	4583

LWB 63

Mn_2 [Nm]	i	Pn_1 [kW]	n_2 [rpm]	Fr_1 [N]	Fr_2 [N]
139	7,50	2,51	152,0	580	2527
143	10,00	1,97	114,0	667	2781
159	15,00	1,52	76,0	700	3183
154	20,00	1,14	57,0	700	3504
141	25,00	0,87	46,0	700	3774
168	30,00	0,91	38,0	700	4011
160	40,00	0,69	29,0	700	4414
152	50,00	0,56	23,0	700	4755
144	60,00	0,47	19,0	700	5053
129	80,00	0,34	14,0	700	5562
121	100,00	0,29	11,0	700	5991

LWB 30

Mn_2 [Nm]	i	Pn_1 [kW]	n_2 [rpm]	Fr_1 [N]	Fr_2 [N]
21	5,00	0,47	180,0	175	692
21	7,50	0,32	120,0	175	792
21	10,00	0,24	90,0	197	871
21	15,00	0,18	60,0	197	997
20	20,00	0,13	45,0	210	1098
24	25,00	0,14	36,0	210	1183
22	30,00	0,11	30,0	210	1257
21	40,00	0,09	23,0	210	1383
19	50,00	0,07	18,0	210	1490
17	60,00	0,06	15,0	210	1583
15	80,00	0,04	11,0	210	1743

LWB 40

Mn_2 [Nm]	i	Pn_1 [kW]	n_2 [rpm]	Fr_1 [N]	Fr_2 [N]
42	5,00	0,91	180,0	290	1331
46	7,50	0,68	120,0	318	1524
48	10,00	0,55	90,0	350	1677
50	15,00	0,40	60,0	350	1920
48	20,00	0,30	45,0	350	2113
45	25,00	0,23	36,0	350	2276
53	30,00	0,25	30,0	350	2419
50	40,00	0,19	23,0	350	2662
46	50,00	0,15	18,0	350	2868
41	60,00	0,12	15,0	350	3047
35	80,00	0,08	11,0	350	3354
32	100,00	0,07	9,0	350	3490

LWB 50

Mn_2 [Nm]	i	Pn_1 [kW]	n_2 [rpm]	Fr_1 [N]	Fr_2 [N]
82	5,00	1,76	180,0	400	1827
91	7,50	1,33	120,0	444	2091
92	10,00	1,02	90,0	490	2302
92	15,00	0,72	60,0	490	2635
83	20,00	0,51	45,0	490	2900
76	25,00	0,39	36,0	490	3124
94	30,00	0,43	30,0	490	3320
88	40,00	0,32	23,0	490	3654
81	50,00	0,25	18,0	490	3936
76	60,00	0,21	15,0	490	4183

LWB 50

Mn_2 [Nm]	i	Pn_1 [kW]	n2 [rpm]	Fr1 [N]	Fr2 [N]
68	80,00	0,16	11,0	490	4604
56	100,00	0,12	9,0	490	4840

LWB 63

Mn_2 [Nm]	i	Pn_1 [kW]	n2 [rpm]	Fr1 [N]	Fr2 [N]
151	7,50	2,16	120,0	580	2734
153	10,00	1,70	90,0	661	3009
171	15,00	1,31	60,0	700	3444
163	20,00	0,99	45,0	700	3791
149	25,00	0,74	36,0	700	4084
177	30,00	0,78	30,0	700	4339
171	40,00	0,61	23,0	700	4776
161	50,00	0,49	18,0	700	5145
153	60,00	0,41	15,0	700	5467
137	80,00	0,30	11,0	700	6018
124	100,00	0,24	9,0	700	6270

LWB 30

Mn_2 [Nm]	i	Pn_1 [kW]	n_2 [rpm]	Fr_1 [N]	Fr_2 [N]
25	5,00	0,31	100,0	210	841
25	7,50	0,22	67,0	210	963
25	10,00	0,17	50,0	210	1060
25	15,00	0,12	33,0	210	1213
23	20,00	0,09	25,0	210	1336
30	25,00	0,10	20,0	210	1439
27	30,00	0,08	17,0	210	1529
24	40,00	0,06	13,0	210	1683
22	50,00	0,05	10,0	210	1813
19	60,00	0,04	8,0	210	1830
17	80,00	0,03	6,0	210	1830

LWB 40

Mn_2 [Nm]	i	Pn_1 [kW]	n_2 [rpm]	Fr_1 [N]	Fr_2 [N]
52	5,00	0,63	100,0	350	1619
56	7,50	0,47	67,0	350	1853
59	10,00	0,38	50,0	350	2040
61	15,00	0,28	33,0	350	2335
57	20,00	0,20	25,0	350	2570
51	25,00	0,15	20,0	350	2769
62	30,00	0,17	17,0	350	2942
58	40,00	0,13	13,0	350	3238
53	50,00	0,10	10,0	350	3488
48	60,00	0,08	8,0	350	3490
40	80,00	0,06	6,0	350	3490
36	100,00	0,05	5,0	350	3490

LWB 50

Mn_2 [Nm]	i	Pn_1 [kW]	n_2 [rpm]	Fr_1 [N]	Fr_2 [N]
101	5,00	1,23	100,0	490	2222
112	7,50	0,93	67,0	490	2544
113	10,00	0,72	50,0	490	2800
113	15,00	0,51	33,0	490	3205
100	20,00	0,35	25,0	490	3528
92	25,00	0,28	20,0	490	3800
113	30,00	0,30	17,0	490	4038
105	40,00	0,23	13,0	490	4445
96	50,00	0,18	10,0	490	4788
87	60,00	0,15	8,0	490	4840

LWB 50

Mn_2 [Nm]	i	Pn_1 [kW]	n_2 [rpm]	Fr_1 [N]	Fr_2 [N]
75	80,00	0,11	6,0	490	4840
65	100,00	0,08	5,0	490	4840

LWB 63

Mn_2 [Nm]	i	Pn_1 [kW]	n_2 [rpm]	Fr_1 [N]	Fr_2 [N]
184	7,50	1,49	67,0	700	3325
185	10,00	1,18	50,0	700	3660
200	15,00	0,90	33,0	700	4190
194	20,00	0,68	25,0	700	4611
178	25,00	0,52	20,0	700	4967
213	30,00	0,56	17,0	700	5279
206	40,00	0,44	13,0	700	5810
195	50,00	0,36	10,0	700	6259
180	60,00	0,29	8,0	700	6270
151	80,00	0,21	6,0	700	6270
128	100,00	0,16	5,0	700	6270

LXW 90

Mn_2 [Nm]	i	Pn_1 [kW]	n_2 [rpm]	Fr_1 [N]	Fr_2 [N]
210	7,50	8,92	373,0	715	2446
235	10,00	7,66	280,0	900	2692
270	15,00	5,93	187,0	1034	3081
260	20,00	4,33	140,0	1120	3391
250	25,00	3,41	112,0	1270	3653
310	30,00	3,65	93,0	1270	3882
275	40,00	2,52	70,0	1270	4273
265	50,00	2,02	56,0	1270	4603
245	60,00	1,60	47,0	1270	4891
225	80,00	1,18	35,0	1270	5383
200	100,00	0,89	28,0	1270	5799

LXW 110

Mn_2 [Nm]	i	Pn_1 [kW]	n_2 [rpm]	Fr_1 [N]	Fr_2 [N]
340	7,50	14,45	373,0	1270	3090
363	10,00	11,70	280,0	1270	3401
406	15,00	8,82	187,0	1270	3893
401	20,00	6,61	140,0	1270	4285
440	25,00	5,86	112,0	1270	4616
437	30,00	5,08	93,0	1270	4905
419	40,00	3,70	70,0	1270	5399
409	50,00	3,00	56,0	1270	5816
430	60,00	2,69	47,0	1270	6181
380	80,00	1,88	35,0	1270	6803
350	100,00	1,47	28,0	1270	7328

LXW 130

Mn_2 [Nm]	i	Pn_1 [kW]	n_2 [rpm]	Fr_1 [N]	Fr_2 [N]
520	7,50	22,10	373,0	1190	4042
580	10,00	18,69	280,0	1493	4449
670	15,00	14,71	187,0	1725	5092
660	20,00	10,87	140,0	1912	5605
670	25,00	8,93	112,0	2100	6038
770	30,00	8,85	93,0	2100	6416
730	40,00	6,45	70,0	2100	7062
700	50,00	5,07	56,0	2100	7607
640	60,00	3,96	47,0	2100	8084
590	80,00	2,92	35,0	2100	8897
520	100,00	2,15	28,0	2100	9584

LXW 90

Mn_2 [Nm]	i	Pn_1 [kW]	n_2 [rpm]	Fr_1 [N]	Fr_2 [N]
303	7,50	8,19	233,0	900	2860
324	10,00	6,65	175,0	1082	3148
376	15,00	5,26	117,0	1257	3604
371	20,00	3,97	88,0	1270	3967
355	25,00	3,11	70,0	1270	4273
410	30,00	3,14	58,0	1270	4541
376	40,00	2,24	44,0	1270	4998
355	50,00	1,76	35,0	1270	5383
334	60,00	1,44	29,0	1270	5721
271	80,00	0,95	22,0	1270	6297
257	100,00	0,77	18,0	1270	6783

LXW 110

Mn_2 [Nm]	i	Pn_1 [kW]	n_2 [rpm]	Fr_1 [N]	Fr_2 [N]
504	7,50	13,62	233,0	1270	3614
518	10,00	10,61	175,0	1270	3978
552	15,00	7,69	117,0	1270	4554
566	20,00	5,99	88,0	1270	5012
560	25,00	4,79	70,0	1270	5399
574	30,00	4,34	58,0	1270	5737
588	40,00	3,37	44,0	1270	6315
558	50,00	2,66	35,0	1270	6803
546	60,00	2,23	29,0	1270	7229
465	80,00	1,54	22,0	1270	7956
437	100,00	1,23	18,0	1270	8571

LXW 130

Mn_2 [Nm]	i	Pn_1 [kW]	n_2 [rpm]	Fr_1 [N]	Fr_2 [N]
712	7,50	19,13	233,0	1500	4727
779	10,00	16,04	175,0	1845	5203
874	15,00	12,27	117,0	2070	5956
864	20,00	9,10	88,0	2100	6556
883	25,00	7,62	70,0	2100	7062
988	30,00	7,45	58,0	2100	7504
998	40,00	5,78	44,0	2100	8260
931	50,00	4,49	35,0	2100	8897
855	60,00	3,58	29,0	2100	9455
798	80,00	2,65	22,0	2100	10406
703	100,00	1,98	18,0	2100	11210

LXW 90

Mn_2 [Nm]	i	Pn_1 [kW]	n_2 [rpm]	Fr_1 [N]	Fr_2 [N]
319	7,50	6,93	187,0	900	3081
341	10,00	5,62	140,0	1082	3391
396	15,00	4,45	93,0	1257	3882
391	20,00	3,37	70,0	1270	4273
374	25,00	2,64	56,0	1270	4603
432	30,00	2,67	47,0	1270	4891
396	40,00	1,91	35,0	1270	5383
374	50,00	1,50	28,0	1270	5799
352	60,00	1,23	23,0	1270	6163
285	80,00	0,82	18,0	1270	6783
270	100,00	0,66	14,0	1270	7306

LXW 110

Mn_2 [Nm]	i	Pn_1 [kW]	n_2 [rpm]	Fr_1 [N]	Fr_2 [N]
530	7,50	11,51	187,0	1270	3893
546	10,00	8,99	140,0	1270	4285
581	15,00	6,53	93,0	1270	4905
596	20,00	5,08	70,0	1270	5399
590	25,00	4,07	56,0	1270	5816
605	30,00	3,70	47,0	1270	6181
619	40,00	2,87	35,0	1270	6803
587	50,00	2,26	28,0	1270	7328
575	60,00	1,90	23,0	1270	7787
490	80,00	1,32	18,0	1270	8571
460	100,00	1,05	14,0	1270	9232

LXW 130

Mn_2 [Nm]	i	Pn_1 [kW]	n_2 [rpm]	Fr_1 [N]	Fr_2 [N]
750	7,50	16,11	187,0	1500	5092
820	10,00	13,51	140,0	1845	5605
920	15,00	10,33	93,0	2070	6416
910	20,00	7,67	70,0	2100	7062
930	25,00	6,42	56,0	2100	7607
1040	30,00	6,27	47,0	2100	8084
1050	40,00	4,87	35,0	2100	8897
980	50,00	3,78	28,0	2100	9584
900	60,00	3,01	23,0	2100	10185
840	80,00	2,23	18,0	2100	11210
740	100,00	1,67	14,0	2100	12076

LXW 90

Mn_2 [Nm]	i	Pn_1 [kW]	n_2 [rpm]	Fr_1 [N]	Fr_2 [N]
347	7,50	6,16	152,0	1040	3300
374	10,00	5,06	114,0	1270	3632
429	15,00	3,96	76,0	1270	4157
410	20,00	2,92	57,0	1270	4576
390	25,00	2,28	46,0	1270	4929
459	30,00	2,35	38,0	1270	5238
423	40,00	1,70	29,0	1270	5765
402	50,00	1,34	23,0	1270	6210
369	60,00	1,08	19,0	1270	6599
300	80,00	0,72	14,0	1270	7264
275	100,00	0,57	11,0	1270	7824

LXW 110

Mn_2 [Nm]	i	Pn_1 [kW]	n_2 [rpm]	Fr_1 [N]	Fr_2 [N]
576	7,50	10,23	152,0	1270	4169
598	10,00	8,06	114,0	1270	4589
627	15,00	5,76	76,0	1270	5253
632	20,00	4,43	57,0	1270	5782
625	25,00	3,56	46,0	1270	6228
654	30,00	3,30	38,0	1270	6619
660	40,00	2,54	29,0	1270	7285
625	50,00	2,01	23,0	1270	7847
606	60,00	1,67	19,0	1270	8339
515	80,00	1,16	14,0	1270	9178
474	100,00	0,91	11,0	1270	9887

LXW 130

Mn_2 [Nm]	i	Pn_1 [kW]	n_2 [rpm]	Fr_1 [N]	Fr_2 [N]
815	7,50	14,41	152,0	1740	5453
890	10,00	12,07	114,0	2100	6002
990	15,00	9,27	76,0	2100	6871
975	20,00	6,85	57,0	2100	7562
990	25,00	5,70	46,0	2100	8146
1105	30,00	5,57	38,0	2100	8657
1075	40,00	4,22	29,0	2100	9528
1015	50,00	3,32	23,0	2100	10264
920	60,00	2,61	19,0	2100	10907
850	80,00	1,95	14,0	2100	12005
760	100,00	1,51	11,0	2100	12931

LXW 90

Mn_2 [Nm]	i	Pn_1 [kW]	n_2 [rpm]	Fr_1 [N]	Fr_2 [N]
374	7,50	5,28	120,0	1040	3570
407	10,00	4,41	90,0	1270	3929
462	15,00	3,41	60,0	1270	4498
429	20,00	2,47	45,0	1270	4951
407	25,00	1,92	36,0	1270	5333
485	30,00	2,00	30,0	1270	5667
451	40,00	1,48	23,0	1270	6238
429	50,00	1,17	18,0	1270	6719
385	60,00	0,93	15,0	1270	7140
315	80,00	0,62	11,0	1270	7859
280	100,00	0,48	9,0	1270	8180

LXW 110

Mn_2 [Nm]	i	Pn_1 [kW]	n_2 [rpm]	Fr_1 [N]	Fr_2 [N]
624	7,50	8,81	120,0	1270	4511
651	10,00	6,97	90,0	1270	4965
673	15,00	4,92	60,0	1270	5684
670	20,00	3,76	45,0	1270	6256
660	25,00	3,03	36,0	1270	6739
702	30,00	2,86	30,0	1270	7161
700	40,00	2,20	23,0	1270	7882
665	50,00	1,74	18,0	1270	8491
637	60,00	1,45	15,0	1270	9023
540	80,00	0,99	11,0	1270	9931
490	100,00	0,78	9,0	1270	10320

LXW 130

Mn_2 [Nm]	i	Pn_1 [kW]	n_2 [rpm]	Fr_1 [N]	Fr_2 [N]
880	7,50	12,29	120,0	1740	5901
960	10,00	10,28	90,0	2100	6494
1060	15,00	7,83	60,0	2100	7434
1040	20,00	5,77	45,0	2100	8182
1050	25,00	4,77	36,0	2100	8814
1170	30,00	4,65	30,0	2100	9366
1100	40,00	3,41	23,0	2100	10309
1050	50,00	2,71	18,0	2100	11105
940	60,00	2,11	15,0	2100	11801
860	80,00	1,56	11,0	2100	12989
780	100,00	1,23	9,0	2100	13500

LXW 90

Mn_2 [Nm]	i	Pn_1 [kW]	n_2 [rpm]	Fr_1 [N]	Fr_2 [N]
451	7,50	3,66	67,0	1270	4343
479	10,00	2,95	50,0	1270	4780
539	15,00	2,29	33,0	1270	5472
517	20,00	1,71	25,0	1270	6022
484	25,00	1,33	20,0	1270	6487
579	30,00	1,40	17,0	1270	6894
528	40,00	1,03	13,0	1270	7588
495	50,00	0,81	10,0	1270	8174
440	60,00	0,64	8,0	1270	8180
365	80,00	0,44	6,0	1270	8180
330	100,00	0,35	5,0	1270	8180

LXW 110

Mn_2 [Nm]	i	Pn_1 [kW]	n_2 [rpm]	Fr_1 [N]	Fr_2 [N]
762	7,50	6,11	67,0	1270	5488
814	10,00	5,01	50,0	1270	6040
844	15,00	3,55	33,0	1270	6914
836	20,00	2,70	25,0	1270	7610
790	25,00	2,09	20,0	1270	8198
919	30,00	2,20	17,0	1270	8711
903	40,00	1,66	13,0	1270	9588
860	50,00	1,34	10,0	1270	10320
729	60,00	0,99	8,0	1270	10320
630	80,00	0,71	6,0	1270	10320
570	100,00	0,55	5,0	1270	10320

LXW 130

Mn_2 [Nm]	i	Pn_1 [kW]	n_2 [rpm]	Fr_1 [N]	Fr_2 [N]
1080	7,50	8,57	67,0	2100	7178
1160	10,00	7,06	50,0	2100	7900
1300	15,00	5,47	33,0	2100	9043
1230	20,00	3,93	25,0	2100	9953
1200	25,00	3,18	20,0	2100	10722
1400	30,00	3,30	17,0	2100	11394
1300	40,00	2,40	13,0	2100	12540
1220	50,00	1,88	10,0	2100	13500
1070	60,00	1,46	8,0	2100	13500
970	80,00	1,08	6,0	2100	13500
860	100,00	0,83	5,0	2100	13500

LWB+LWPC 40+50

Mn ₂ [Nm]	i	Pn ₁ [kW]	n ₂ [rpm]	Fr1 [N]	Fr2 [N]
137	100,00	0,58	28,0	272	3800
135	150,00	0,41	18,7	272	4350
120	200,00	0,29	14,0	272	4788
110	250,00	0,23	11,2	272	4840
145	300,00	0,27	9,3	272	4840
124	400,00	0,19	7,0	272	4840
137	500,00	0,15	5,6	350	3800
145	600,00	0,14	4,7	204	4840
145	750,00	0,12	3,7	236	4840
135	900,00	0,09	3,1	350	4350
145	1200,00	0,08	2,3	350	4840
145	1500,00	0,07	1,9	350	4840
145	1800,00	0,06	1,6	350	4840
124	2400,00	0,04	1,2	350	4840
120	3000,00	0,04	0,9	350	4840
120	4000,00	0,03	0,7	350	4840
120	5000,00	0,03	0,6	350	4840

LWB+LWPC 40+63

Mn ₂ [Nm]	i	Pn ₁ [kW]	n ₂ [rpm]	Fr1 [N]	Fr2 [N]
229	100,00	0,97	28,0	272	4967
260	150,00	0,78	18,7	272	5686
253	200,00	0,60	14,0	272	6259
231	250,00	0,46	11,2	272	6270
271	300,00	0,49	9,3	272	6270
255	400,00	0,38	7,0	272	6270
231	500,00	0,24	5,6	204	6270
271	600,00	0,26	4,7	204	6270
271	750,00	0,22	3,7	236	6270
271	900,00	0,19	3,1	350	6270
271	1200,00	0,15	2,3	350	6270
271	1500,00	0,13	1,9	350	6270
271	1800,00	0,11	1,6	350	6270
255	2400,00	0,08	1,2	350	6270
236	3000,00	0,07	0,9	350	6270
236	4000,00	0,06	0,7	350	6270
236	5000,00	0,05	0,6	350	6270

LWB+LWPC 40+50

Mn_2 [Nm]	i	Pn_1 [kW]	n_2 [rpm]	Fr_1 [N]	Fr_2 [N]
137	100,00	0,37	17,5	343	3800
135	150,00	0,27	11,7	343	4350
120	200,00	0,19	8,8	343	4788
110	250,00	0,15	7,0	343	4840
145	300,00	0,17	5,8	343	4840
124	400,00	0,12	4,4	343	4840
137	500,00	0,10	3,5	350	3800
145	600,00	0,09	2,9	350	4840
145	750,00	0,08	2,3	350	4840
135	900,00	0,06	1,9	350	4350
145	1200,00	0,06	1,5	350	4840
145	1500,00	0,05	1,2	350	4840
145	1800,00	0,04	1,0	350	4840
124	2400,00	0,03	0,7	350	4840
120	3000,00	0,03	0,6	350	4840
120	4000,00	0,02	0,4	350	4840
120	5000,00	0,02	0,4	350	4840

LWB+LWPC 40+63

Mn_2 [Nm]	i	Pn_1 [kW]	n_2 [rpm]	Fr_1 [N]	Fr_2 [N]
257	100,00	0,70	17,5	343	4967
260	150,00	0,50	11,7	343	5686
253	200,00	0,39	8,8	343	6259
231	250,00	0,30	7,0	343	6270
271	300,00	0,32	5,8	343	6270
255	400,00	0,25	4,4	343	6270
231	500,00	0,16	3,5	350	6270
271	600,00	0,17	2,9	350	6270
271	750,00	0,14	2,3	350	6270
271	900,00	0,13	1,9	350	6270
271	1200,00	0,10	1,5	350	6270
271	1500,00	0,09	1,2	350	6270
271	1800,00	0,08	1,0	350	6270
255	2400,00	0,06	0,7	350	6270
236	3000,00	0,05	0,6	350	6270
236	4000,00	0,04	0,4	350	6270
236	5000,00	0,04	0,4	350	6270

LWB+LWPC 40+50

Mn ₂ [Nm]	i	Pn ₁ [kW]	n ₂ [rpm]	Fr1 [N]	Fr2 [N]
137	100,00	0,30	14,0	344	3800
135	150,00	0,21	9,3	344	4350
120	200,00	0,15	7,0	344	4788
110	250,00	0,12	5,6	344	4840
145	300,00	0,14	4,7	344	4840
124	400,00	0,10	3,5	344	4840
137	500,00	0,08	2,8	350	3800
145	600,00	0,07	2,3	350	4840
145	750,00	0,06	1,9	350	4840
135	900,00	0,05	1,6	350	4350
145	1200,00	0,04	1,2	350	4840
145	1500,00	0,04	0,9	350	4840
145	1800,00	0,03	0,8	350	4840
124	2400,00	0,02	0,6	350	4840
120	3000,00	0,02	0,5	350	4840
120	4000,00	0,02	0,4	350	4840
120	5000,00	0,01	0,3	350	4840

LWB+LWPC 40+63

Mn ₂ [Nm]	i	Pn ₁ [kW]	n ₂ [rpm]	Fr1 [N]	Fr2 [N]
257	100,00	0,56	14,0	344	4967
260	150,00	0,40	9,3	344	5686
253	200,00	0,31	7,0	344	6259
231	250,00	0,24	5,6	344	6270
271	300,00	0,26	4,7	344	6270
255	400,00	0,20	3,5	344	6270
231	500,00	0,13	2,8	350	6270
271	600,00	0,14	2,3	350	6270
271	750,00	0,11	1,9	350	6270
271	900,00	0,10	1,6	350	6270
271	1200,00	0,08	1,2	350	6270
271	1500,00	0,07	0,9	350	6270
271	1800,00	0,06	0,8	350	6270
255	2400,00	0,05	0,6	350	6270
236	3000,00	0,04	0,5	350	6270
236	4000,00	0,03	0,4	350	6270
236	5000,00	0,03	0,3	350	6270

LWB+LWPC 40+50

Mn_2 [Nm]	i	Pn_1 [kW]	n_2 [rpm]	Fr_1 [N]	Fr_2 [N]
137	100,00	0,25	11,4	350	3800
135	150,00	0,18	7,6	350	4350
120	200,00	0,12	5,7	350	4788
110	250,00	0,10	4,6	350	4840
145	300,00	0,11	3,8	350	4840
124	400,00	0,08	2,9	350	4840
137	500,00	0,07	2,3	350	3800
145	600,00	0,06	1,9	350	4840
145	750,00	0,05	1,5	350	4840
135	900,00	0,04	1,3	350	4350
145	1200,00	0,04	1,0	350	4840
145	1500,00	0,03	0,8	350	4840
145	1800,00	0,03	0,6	350	4840
124	2400,00	0,02	0,5	350	4840
120	3000,00	0,02	0,4	350	4840
120	4000,00	0,01	0,3	350	4840
120	5000,00	0,01	0,2	350	4840

LWB+LWPC 40+63

Mn_2 [Nm]	i	Pn_1 [kW]	n_2 [rpm]	Fr_1 [N]	Fr_2 [N]
257	100,00	0,46	11,4	350	4967
260	150,00	0,33	7,6	350	5686
253	200,00	0,26	5,7	350	6259
231	250,00	0,20	4,6	350	6270
271	300,00	0,21	3,8	350	6270
255	400,00	0,16	2,9	350	6270
231	500,00	0,11	2,3	350	6270
271	600,00	0,11	1,9	350	6270
271	750,00	0,09	1,5	350	6270
271	900,00	0,09	1,3	350	6270
271	1200,00	0,07	1,0	350	6270
271	1500,00	0,06	0,8	350	6270
271	1800,00	0,05	0,6	350	6270
255	2400,00	0,04	0,5	350	6270
236	3000,00	0,03	0,4	350	6270
236	4000,00	0,03	0,3	350	6270
236	5000,00	0,02	0,2	350	6270

LWB+LWPC 40+50

Mn_2 [Nm]	i	Pn_1 [kW]	n_2 [rpm]	Fr_1 [N]	Fr_2 [N]
137	100,00	0,20	9,0	350	3800
135	150,00	0,14	6,0	350	4350
120	200,00	0,10	4,5	350	4788
110	250,00	0,08	3,6	350	4840
145	300,00	0,09	3,0	350	4840
124	400,00	0,07	2,3	350	4840
137	500,00	0,06	1,8	350	3800
145	600,00	0,05	1,5	350	4840
145	750,00	0,04	1,2	350	4840
135	900,00	0,04	1,0	350	4350
145	1200,00	0,03	0,8	350	4840
145	1500,00	0,03	0,6	350	4840
145	1800,00	0,02	0,5	350	4840
124	2400,00	0,02	0,4	350	4840
120	3000,00	0,01	0,3	350	4840
120	4000,00	0,01	0,2	350	4840
120	5000,00	0,01	0,2	350	4840

LWB+LWPC 40+63

Mn_2 [Nm]	i	Pn_1 [kW]	n_2 [rpm]	Fr_1 [N]	Fr_2 [N]
257	100,00	0,37	9,0	350	4967
260	150,00	0,27	6,0	350	5686
253	200,00	0,21	4,5	350	6259
231	250,00	0,16	3,6	350	6270
271	300,00	0,17	3,0	350	6270
255	400,00	0,13	2,3	350	6270
231	500,00	0,09	1,8	350	6270
271	600,00	0,09	1,5	350	6270
271	750,00	0,08	1,2	350	6270
271	900,00	0,07	1,0	350	6270
271	1200,00	0,06	0,8	350	6270
271	1500,00	0,05	0,6	350	6270
271	1800,00	0,04	0,5	350	6270
255	2400,00	0,03	0,4	350	6270
236	3000,00	0,03	0,3	350	6270
236	4000,00	0,02	0,2	350	6270
236	5000,00	0,02	0,2	350	6270

LWB+LWPC 40+50

Mn ₂ [Nm]	i	Pn ₁ [kW]	n ₂ [rpm]	Fr1 [N]	Fr2 [N]
137	100,00	0,11	5,0	350	3800
135	150,00	0,08	3,3	350	4350
120	200,00	0,06	2,5	350	4788
110	250,00	0,04	2,0	350	4840
145	300,00	0,05	1,7	350	4840
124	400,00	0,04	1,3	350	4840
137	500,00	0,03	1,0	350	3800
145	600,00	0,03	0,8	350	4840
145	750,00	0,02	0,7	350	4840
135	900,00	0,02	0,6	350	4350
145	1200,00	0,02	0,4	350	4840
145	1500,00	0,01	0,3	350	4840
145	1800,00	0,01	0,3	350	4840
124	2400,00	0,01	0,2	350	4840
120	3000,00	0,01	0,2	350	4840
120	4000,00	0,01	0,1	350	4840
120	5000,00	0,01	0,1	350	4840

LWB+LWPC 40+63

Mn ₂ [Nm]	i	Pn ₁ [kW]	n ₂ [rpm]	Fr1 [N]	Fr2 [N]
257	100,00	0,21	5,0	350	4967
260	150,00	0,15	3,3	350	5686
253	200,00	0,12	2,5	350	6259
231	250,00	0,09	2,0	350	6270
271	300,00	0,10	1,7	350	6270
255	400,00	0,07	1,3	350	6270
231	500,00	0,05	1,0	350	6270
271	600,00	0,05	0,8	350	6270
271	750,00	0,04	0,7	350	6270
271	900,00	0,04	0,6	350	6270
271	1200,00	0,03	0,4	350	6270
271	1500,00	0,03	0,3	350	6270
271	1800,00	0,03	0,3	350	6270
255	2400,00	0,02	0,2	350	6270
236	3000,00	0,02	0,2	350	6270
236	4000,00	0,01	0,1	350	6270
236	5000,00	0,01	0,1	350	6270

LWB+LWBC 40+50

Mn ₂ [Nm]	i	Pn ₁ [kW]	n ₂ [rpm]	Fr1 [N]	Fr2 [N]
137	100,00	0,58	28,0	272	3800
135	150,00	0,41	18,7	272	4350
120	200,00	0,29	14,0	272	4788
110	250,00	0,23	11,2	272	4840
145	300,00	0,27	9,3	272	4840
124	400,00	0,19	7,0	272	4840
137	500,00	0,15	5,6	350	3800
145	600,00	0,14	4,7	204	4840
145	750,00	0,12	3,7	236	4840
135	900,00	0,09	3,1	350	4350
145	1200,00	0,08	2,3	350	4840
145	1500,00	0,07	1,9	350	4840
145	1800,00	0,06	1,6	350	4840
124	2400,00	0,04	1,2	350	4840
120	3000,00	0,04	0,9	350	4840
120	4000,00	0,03	0,7	350	4840
120	5000,00	0,03	0,6	350	4840

LWB+LWBC 40+63

Mn ₂ [Nm]	i	Pn ₁ [kW]	n ₂ [rpm]	Fr1 [N]	Fr2 [N]
229	100,00	0,97	28,0	272	4967
260	150,00	0,78	18,7	272	5686
253	200,00	0,60	14,0	272	6259
231	250,00	0,46	11,2	272	6270
271	300,00	0,49	9,3	272	6270
255	400,00	0,38	7,0	272	6270
231	500,00	0,24	5,6	204	6270
271	600,00	0,26	4,7	204	6270
271	750,00	0,22	3,7	236	6270
271	900,00	0,19	3,1	350	6270
271	1200,00	0,15	2,3	350	6270
271	1500,00	0,13	1,9	350	6270
271	1800,00	0,11	1,6	350	6270
255	2400,00	0,08	1,2	350	6270
236	3000,00	0,07	0,9	350	6270
236	4000,00	0,06	0,7	350	6270
236	5000,00	0,05	0,6	350	6270

LWB+LWBC 40+50

Mn ₂ [Nm]	i	Pn ₁ [kW]	n ₂ [rpm]	Fr1 [N]	Fr2 [N]
137	100,00	0,37	17,5	343	3800
135	150,00	0,27	11,7	343	4350
120	200,00	0,19	8,8	343	4788
110	250,00	0,15	7,0	343	4840
145	300,00	0,17	5,8	343	4840
124	400,00	0,12	4,4	343	4840
137	500,00	0,10	3,5	350	3800
145	600,00	0,09	2,9	350	4840
145	750,00	0,08	2,3	350	4840
135	900,00	0,06	1,9	350	4350
145	1200,00	0,06	1,5	350	4840
145	1500,00	0,05	1,2	350	4840
145	1800,00	0,04	1,0	350	4840
124	2400,00	0,03	0,7	350	4840
120	3000,00	0,03	0,6	350	4840
120	4000,00	0,02	0,4	350	4840
120	5000,00	0,02	0,4	350	4840

LWB+LWBC 40+63

Mn ₂ [Nm]	i	Pn ₁ [kW]	n ₂ [rpm]	Fr1 [N]	Fr2 [N]
257	100,00	0,70	17,5	343	4967
260	150,00	0,50	11,7	343	5686
253	200,00	0,39	8,8	343	6259
231	250,00	0,30	7,0	343	6270
271	300,00	0,32	5,8	343	6270
255	400,00	0,25	4,4	343	6270
231	500,00	0,16	3,5	350	6270
271	600,00	0,17	2,9	350	6270
271	750,00	0,14	2,3	350	6270
271	900,00	0,13	1,9	350	6270
271	1200,00	0,10	1,5	350	6270
271	1500,00	0,09	1,2	350	6270
271	1800,00	0,08	1,0	350	6270
255	2400,00	0,06	0,7	350	6270
236	3000,00	0,05	0,6	350	6270
236	4000,00	0,04	0,4	350	6270
236	5000,00	0,04	0,4	350	6270

LWB+LWBC 40+50

Mn ₂ [Nm]	i	Pn ₁ [kW]	n ₂ [rpm]	Fr1 [N]	Fr2 [N]
137	100,00	0,30	14,0	344	3800
135	150,00	0,21	9,3	344	4350
120	200,00	0,15	7,0	344	4788
110	250,00	0,12	5,6	344	4840
145	300,00	0,14	4,7	344	4840
124	400,00	0,10	3,5	344	4840
137	500,00	0,08	2,8	350	3800
145	600,00	0,07	2,3	350	4840
145	750,00	0,06	1,9	350	4840
135	900,00	0,05	1,6	350	4350
145	1200,00	0,04	1,2	350	4840
145	1500,00	0,04	0,9	350	4840
145	1800,00	0,03	0,8	350	4840
124	2400,00	0,02	0,6	350	4840
120	3000,00	0,02	0,5	350	4840
120	4000,00	0,02	0,4	350	4840
120	5000,00	0,01	0,3	350	4840

LWB+LWBC 40+63

Mn ₂ [Nm]	i	Pn ₁ [kW]	n ₂ [rpm]	Fr1 [N]	Fr2 [N]
257	100,00	0,56	14,0	344	4967
260	150,00	0,40	9,3	344	5686
253	200,00	0,31	7,0	344	6259
231	250,00	0,24	5,6	344	6270
271	300,00	0,26	4,7	344	6270
255	400,00	0,20	3,5	344	6270
231	500,00	0,13	2,8	350	6270
271	600,00	0,14	2,3	350	6270
271	750,00	0,11	1,9	350	6270
271	900,00	0,10	1,6	350	6270
271	1200,00	0,08	1,2	350	6270
271	1500,00	0,07	0,9	350	6270
271	1800,00	0,06	0,8	350	6270
255	2400,00	0,05	0,6	350	6270
236	3000,00	0,04	0,5	350	6270
236	4000,00	0,03	0,4	350	6270
236	5000,00	0,03	0,3	350	6270

LWB+LWBC 40+50

Mn ₂ [Nm]	i	Pn ₁ [kW]	n ₂ [rpm]	Fr1 [N]	Fr2 [N]
137	100,00	0,25	11,4	350	3800
135	150,00	0,18	7,6	350	4350
120	200,00	0,12	5,7	350	4788
110	250,00	0,10	4,6	350	4840
145	300,00	0,11	3,8	350	4840
124	400,00	0,08	2,9	350	4840
137	500,00	0,07	2,3	350	3800
145	600,00	0,06	1,9	350	4840
145	750,00	0,05	1,5	350	4840
135	900,00	0,04	1,3	350	4350
145	1200,00	0,04	1,0	350	4840
145	1500,00	0,03	0,8	350	4840
145	1800,00	0,03	0,6	350	4840
124	2400,00	0,02	0,5	350	4840
120	3000,00	0,02	0,4	350	4840
120	4000,00	0,01	0,3	350	4840
120	5000,00	0,01	0,2	350	4840

LWB+LWBC 40+63

Mn ₂ [Nm]	i	Pn ₁ [kW]	n ₂ [rpm]	Fr1 [N]	Fr2 [N]
257	100,00	0,46	11,4	350	4967
260	150,00	0,33	7,6	350	5686
253	200,00	0,26	5,7	350	6259
231	250,00	0,20	4,6	350	6270
271	300,00	0,21	3,8	350	6270
255	400,00	0,16	2,9	350	6270
231	500,00	0,11	2,3	350	6270
271	600,00	0,11	1,9	350	6270
271	750,00	0,09	1,5	350	6270
271	900,00	0,09	1,3	350	6270
271	1200,00	0,07	1,0	350	6270
271	1500,00	0,06	0,8	350	6270
271	1800,00	0,05	0,6	350	6270
255	2400,00	0,04	0,5	350	6270
236	3000,00	0,03	0,4	350	6270
236	4000,00	0,03	0,3	350	6270
236	5000,00	0,02	0,2	350	6270

LWB+LWBC 40+50

Mn_2 [Nm]	i	Pn_1 [kW]	n_2 [rpm]	Fr_1 [N]	Fr_2 [N]
137	100,00	0,20	9,0	350	3800
135	150,00	0,14	6,0	350	4350
120	200,00	0,10	4,5	350	4788
110	250,00	0,08	3,6	350	4840
145	300,00	0,09	3,0	350	4840
124	400,00	0,07	2,3	350	4840
137	500,00	0,06	1,8	350	3800
145	600,00	0,05	1,5	350	4840
145	750,00	0,04	1,2	350	4840
135	900,00	0,04	1,0	350	4350
145	1200,00	0,03	0,8	350	4840
145	1500,00	0,03	0,6	350	4840
145	1800,00	0,02	0,5	350	4840
124	2400,00	0,02	0,4	350	4840
120	3000,00	0,01	0,3	350	4840
120	4000,00	0,01	0,2	350	4840
120	5000,00	0,01	0,2	350	4840

LWB+LWBC 40+63

Mn_2 [Nm]	i	Pn_1 [kW]	n_2 [rpm]	Fr_1 [N]	Fr_2 [N]
257	100,00	0,37	9,0	350	4967
260	150,00	0,27	6,0	350	5686
253	200,00	0,21	4,5	350	6259
231	250,00	0,16	3,6	350	6270
271	300,00	0,17	3,0	350	6270
255	400,00	0,13	2,3	350	6270
231	500,00	0,09	1,8	350	6270
271	600,00	0,09	1,5	350	6270
271	750,00	0,08	1,2	350	6270
271	900,00	0,07	1,0	350	6270
271	1200,00	0,06	0,8	350	6270
271	1500,00	0,05	0,6	350	6270
271	1800,00	0,04	0,5	350	6270
255	2400,00	0,03	0,4	350	6270
236	3000,00	0,03	0,3	350	6270
236	4000,00	0,02	0,2	350	6270
236	5000,00	0,02	0,2	350	6270

LWB+LWBC 40+50

Mn_2 [Nm]	i	Pn_1 [kW]	n_2 [rpm]	Fr_1 [N]	Fr_2 [N]
137	100,00	0,11	5,0	350	3800
135	150,00	0,08	3,3	350	4350
120	200,00	0,06	2,5	350	4788
110	250,00	0,04	2,0	350	4840
145	300,00	0,05	1,7	350	4840
124	400,00	0,04	1,3	350	4840
137	500,00	0,03	1,0	350	3800
145	600,00	0,03	0,8	350	4840
145	750,00	0,02	0,7	350	4840
135	900,00	0,02	0,6	350	4350
145	1200,00	0,02	0,4	350	4840
145	1500,00	0,01	0,3	350	4840
145	1800,00	0,01	0,3	350	4840
124	2400,00	0,01	0,2	350	4840
120	3000,00	0,01	0,2	350	4840
120	4000,00	0,01	0,1	350	4840
120	5000,00	0,01	0,1	350	4840

LWB+LWBC 40+63

Mn_2 [Nm]	i	Pn_1 [kW]	n_2 [rpm]	Fr_1 [N]	Fr_2 [N]
257	100,00	0,21	5,0	350	4967
260	150,00	0,15	3,3	350	5686
253	200,00	0,12	2,5	350	6259
231	250,00	0,09	2,0	350	6270
271	300,00	0,10	1,7	350	6270
255	400,00	0,07	1,3	350	6270
231	500,00	0,05	1,0	350	6270
271	600,00	0,05	0,8	350	6270
271	750,00	0,04	0,7	350	6270
271	900,00	0,04	0,6	350	6270
271	1200,00	0,03	0,4	350	6270
271	1500,00	0,03	0,3	350	6270
271	1800,00	0,03	0,3	350	6270
255	2400,00	0,02	0,2	350	6270
236	3000,00	0,02	0,2	350	6270
236	4000,00	0,01	0,1	350	6270
236	5000,00	0,01	0,1	350	6270

LWB+LXWC 40+90

Mn ₂ [Nm]	i	Pn ₁ [kW]	n ₂ [rpm]	Fr1 [N]	Fr2 [N]
238	100,00	0,97	28,0	272	6487
254	150,00	0,71	18,7	291	6487
238	200,00	0,51	14,0	204	6487
522	250,00	0,97	11,2	272	8180
583	300,00	0,97	9,3	272	8180
610	400,00	0,82	7,0	272	8180
560	500,00	0,64	5,6	272	8180
583	600,00	0,51	4,7	204	8180
563	750,00	0,41	3,7	236	8180
683	900,00	0,43	3,1	350	8180
623	1200,00	0,31	2,3	350	8180
603	1500,00	0,25	1,9	350	8180
563	1800,00	0,21	1,6	350	8180
610	2400,00	0,18	1,2	350	8180
560	3000,00	0,14	0,9	350	8180
560	4000,00	0,12	0,7	350	8180
560	5000,00	0,10	0,6	350	8180

LWB+LXWC 50+90

Mn ₂ [Nm]	i	Pn ₁ [kW]	n ₂ [rpm]	Fr1 [N]	Fr2 [N]
443	100,00	1,78	28,0	378	6487
632	150,00	1,78	18,7	378	7426
610	200,00	1,34	14,0	378	8174
570	250,00	1,04	11,2	378	8180
700	300,00	1,15	9,3	378	8180
610	400,00	0,81	7,0	378	8180
570	500,00	0,56	5,6	417	8180
700	600,00	0,62	4,7	417	8180
700	750,00	0,50	3,7	482	8180
700	900,00	0,44	3,1	490	8180
700	1200,00	0,34	2,3	490	8180
700	1500,00	0,29	1,9	490	8180
700	1800,00	0,25	1,6	490	8180
610	2400,00	0,18	1,2	490	8180
560	3000,00	0,14	0,9	490	8180
560	4000,00	0,11	0,7	490	8180
560	5000,00	0,10	0,6	490	8180

LWB+LXWC 50+110

Mn_2 [Nm]	i	Pn_1 [kW]	n2 [rpm]	Fr1 [N]	Fr2 [N]
443	100,00	1,78	28,0	378	8198
640	150,00	1,78	18,7	378	9384
832	200,00	1,78	14,0	378	10320
1013	250,00	1,78	11,2	378	10320
1085	300,00	1,78	9,3	378	10320
1030	400,00	1,31	7,0	378	10320
994	500,00	0,94	5,6	417	10320
1065	600,00	0,94	4,7	417	10320
1025	750,00	0,74	3,7	482	10320
1100	900,00	0,69	3,1	490	10320
1100	1200,00	0,54	2,3	490	10320
1065	1500,00	0,44	1,9	490	10320
1005	1800,00	0,36	1,6	490	10320
1030	2400,00	0,29	1,2	490	10320
1000	3000,00	0,24	0,9	490	10320
1000	4000,00	0,19	0,7	490	10320
1000	5000,00	0,17	0,6	490	10320

LWB+LXWC 63+110

Mn_2 [Nm]	i	Pn_1 [kW]	n2 [rpm]	Fr1 [N]	Fr2 [N]
815	100,00	3,27	28,0	471	8198
1178	150,00	3,27	18,7	471	9384
1139	200,00	2,44	14,0	471	10320
1173	250,00	2,06	11,2	471	10320
1265	300,00	2,07	9,3	471	10320
1185	400,00	1,50	7,0	471	10320
1173	500,00	1,08	5,6	556	10320
1265	600,00	1,09	4,7	556	10320
1265	750,00	0,89	3,7	613	10320
1265	900,00	0,78	3,1	700	10320
1265	1200,00	0,61	2,3	700	10320
1265	1500,00	0,51	1,9	700	10320
1265	1800,00	0,45	1,6	700	10320
1185	2400,00	0,32	1,2	700	10320
1100	3000,00	0,25	0,9	700	10320
1100	4000,00	0,20	0,7	700	10320
1100	5000,00	0,18	0,6	700	10320

LWB+LXWC 63+130

Mn_2 [Nm]	i	Pn_1 [kW]	n_2 [rpm]	Fr_1 [N]	Fr_2 [N]
825	100,00	3,27	28,0	471	10722
1163	150,00	3,27	18,7	471	12274
1531	200,00	3,27	14,0	471	13500
1530	250,00	2,69	11,2	471	13500
1760	300,00	2,84	9,3	471	13500
1650	400,00	2,09	7,0	471	13500
1550	500,00	1,65	5,6	471	13500
1760	600,00	1,49	4,7	556	13500
1760	750,00	1,22	3,7	613	13500
1760	900,00	1,07	3,1	700	13500
1760	1200,00	0,83	2,3	700	13500
1760	1500,00	0,70	1,9	700	13500
1760	1800,00	0,61	1,6	700	13500
1650	2400,00	0,45	1,2	700	13500
1550	3000,00	0,35	0,9	700	13500
1550	4000,00	0,28	0,7	700	13500
1550	5000,00	0,25	0,6	700	13500

LWB+LXWC 40+90

Mn_2 [Nm]	i	Pn_1 [kW]	n_2 [rpm]	Fr_1 [N]	Fr_2 [N]
343	100,00	0,90	17,5	343	6487
343	150,00	0,62	11,7	343	6487
335	200,00	0,47	8,8	350	6487
570	250,00	0,68	7,0	343	8180
700	300,00	0,75	5,8	343	8180
610	400,00	0,53	4,4	343	8180
560	500,00	0,42	3,5	343	8180
700	600,00	0,40	2,9	350	8180
700	750,00	0,34	2,3	350	8180
700	900,00	0,30	1,9	350	8180
700	1200,00	0,24	1,5	350	8180
700	1500,00	0,20	1,2	350	8180
700	1800,00	0,18	1,0	350	8180
610	2400,00	0,13	0,7	350	8180
560	3000,00	0,10	0,6	350	8180
560	4000,00	0,08	0,4	350	8180
560	5000,00	0,07	0,4	350	8180

LWB+LXWC 50+90

Mn_2 [Nm]	i	Pn_1 [kW]	n_2 [rpm]	Fr_1 [N]	Fr_2 [N]
590	100,00	1,52	17,5	490	6487
660	150,00	1,19	11,7	490	7426
610	200,00	0,86	8,8	490	8174
570	250,00	0,67	7,0	490	8180
700	300,00	0,73	5,8	490	8180
610	400,00	0,52	4,4	490	8180
570	500,00	0,36	3,5	490	8180
700	600,00	0,40	2,9	490	8180
700	750,00	0,33	2,3	490	8180
700	900,00	0,29	1,9	490	8180
700	1200,00	0,23	1,5	490	8180
700	1500,00	0,20	1,2	490	8180
700	1800,00	0,18	1,0	490	8180
610	2400,00	0,13	0,7	490	8180
560	3000,00	0,10	0,6	490	8180
560	4000,00	0,08	0,4	490	8180
560	5000,00	0,07	0,4	490	8180

LWB+LXWC 50+110

Mn_2 [Nm]	i	Pn_1 [kW]	n2 [rpm]	Fr1 [N]	Fr2 [N]
615	100,00	1,58	17,5	490	8198
889	150,00	1,58	11,7	490	9384
990	200,00	1,35	8,8	490	10320
1020	250,00	1,15	7,0	490	10320
1100	300,00	1,15	5,8	490	10320
1030	400,00	0,83	4,4	490	10320
1020	500,00	0,62	3,5	490	10320
1100	600,00	0,63	2,9	490	10320
1100	750,00	0,52	2,3	490	10320
1100	900,00	0,46	1,9	490	10320
1100	1200,00	0,37	1,5	490	10320
1100	1500,00	0,31	1,2	490	10320
1100	1800,00	0,28	1,0	490	10320
1030	2400,00	0,20	0,7	490	10320
1000	3000,00	0,16	0,6	490	10320
1000	4000,00	0,14	0,4	490	10320
1000	5000,00	0,12	0,4	490	10320

LWB+LXWC 63+110

Mn_2 [Nm]	i	Pn_1 [kW]	n2 [rpm]	Fr1 [N]	Fr2 [N]
1027	100,00	2,63	17,5	579	8198
1196	150,00	2,12	11,7	579	9384
1139	200,00	1,55	8,8	579	10320
1173	250,00	1,31	7,0	579	10320
1265	300,00	1,32	5,8	579	10320
1185	400,00	0,96	4,4	579	10320
1173	500,00	0,69	3,5	700	10320
1265	600,00	0,70	2,9	700	10320
1265	750,00	0,58	2,3	700	10320
1265	900,00	0,51	1,9	700	10320
1265	1200,00	0,40	1,5	700	10320
1265	1500,00	0,34	1,2	700	10320
1265	1800,00	0,30	1,0	700	10320
1185	2400,00	0,22	0,7	700	10320
1100	3000,00	0,17	0,6	700	10320
1100	4000,00	0,14	0,4	700	10320
1100	5000,00	0,12	0,4	700	10320

LWB+LXWC 63+130

Mn_2 [Nm]	i	Pn_1 [kW]	n_2 [rpm]	Fr_1 [N]	Fr_2 [N]
1040	100,00	2,63	17,5	579	10722
1465	150,00	2,63	11,7	579	12274
1600	200,00	2,18	8,8	579	13500
1530	250,00	1,71	7,0	579	13500
1760	300,00	1,81	5,8	579	13500
1650	400,00	1,33	4,4	579	13500
1550	500,00	1,05	3,5	579	13500
1760	600,00	0,96	2,9	700	13500
1760	750,00	0,79	2,3	700	13500
1760	900,00	0,69	1,9	700	13500
1760	1200,00	0,55	1,5	700	13500
1760	1500,00	0,46	1,2	700	13500
1760	1800,00	0,41	1,0	700	13500
1650	2400,00	0,30	0,7	700	13500
1550	3000,00	0,24	0,6	700	13500
1550	4000,00	0,19	0,4	700	13500
1550	5000,00	0,17	0,4	700	13500

LWB+LXWC 40+90

Mn_2 [Nm]	i	Pn_1 [kW]	n_2 [rpm]	Fr_1 [N]	Fr_2 [N]
361	100,00	0,76	14,0	344	6487
361	150,00	0,52	9,3	344	6487
353	200,00	0,40	7,0	350	6487
570	250,00	0,55	5,6	344	8180
700	300,00	0,60	4,7	344	8180
610	400,00	0,42	3,5	344	8180
560	500,00	0,33	2,8	344	8180
700	600,00	0,32	2,3	350	8180
700	750,00	0,27	1,9	350	8180
700	900,00	0,24	1,6	350	8180
700	1200,00	0,19	1,2	350	8180
700	1500,00	0,16	0,9	350	8180
700	1800,00	0,14	0,8	350	8180
610	2400,00	0,10	0,6	350	8180
560	3000,00	0,08	0,5	350	8180
560	4000,00	0,07	0,4	350	8180
560	5000,00	0,06	0,3	350	8180

LWB+LXWC 50+90

Mn_2 [Nm]	i	Pn_1 [kW]	n_2 [rpm]	Fr_1 [N]	Fr_2 [N]
590	100,00	1,21	14,0	490	6487
660	150,00	0,95	9,3	490	7426
610	200,00	0,69	7,0	490	8174
570	250,00	0,53	5,6	490	8180
700	300,00	0,59	4,7	490	8180
610	400,00	0,41	3,5	490	8180
570	500,00	0,29	2,8	490	8180
700	600,00	0,32	2,3	490	8180
700	750,00	0,27	1,9	490	8180
700	900,00	0,23	1,6	490	8180
700	1200,00	0,19	1,2	490	8180
700	1500,00	0,16	0,9	490	8180
700	1800,00	0,14	0,8	490	8180
610	2400,00	0,10	0,6	490	8180
560	3000,00	0,08	0,5	490	8180
560	4000,00	0,07	0,4	490	8180
560	5000,00	0,06	0,3	490	8180

LWB+LXWC 50+110

Mn_2 [Nm]	i	Pn_1 [kW]	n_2 [rpm]	Fr_1 [N]	Fr_2 [N]
648	100,00	1,33	14,0	490	8198
936	150,00	1,33	9,3	490	9384
990	200,00	1,08	7,0	490	10320
1020	250,00	0,92	5,6	490	10320
1100	300,00	0,92	4,7	490	10320
1030	400,00	0,67	3,5	490	10320
1020	500,00	0,50	2,8	490	10320
1100	600,00	0,50	2,3	490	10320
1100	750,00	0,42	1,9	490	10320
1100	900,00	0,37	1,6	490	10320
1100	1200,00	0,29	1,2	490	10320
1100	1500,00	0,25	0,9	490	10320
1100	1800,00	0,22	0,8	490	10320
1030	2400,00	0,16	0,6	490	10320
1000	3000,00	0,13	0,5	490	10320
1000	4000,00	0,11	0,4	490	10320
1000	5000,00	0,09	0,3	490	10320

LWB+LXWC 63+110

Mn_2 [Nm]	i	Pn_1 [kW]	n_2 [rpm]	Fr_1 [N]	Fr_2 [N]
1110	100,00	2,28	14,0	595	8198
1196	150,00	1,70	9,3	595	9384
1139	200,00	1,25	7,0	595	10320
1173	250,00	1,05	5,6	595	10320
1265	300,00	1,06	4,7	595	10320
1185	400,00	0,77	3,5	595	10320
1173	500,00	0,56	2,8	700	10320
1265	600,00	0,56	2,3	700	10320
1265	750,00	0,47	1,9	700	10320
1265	900,00	0,41	1,6	700	10320
1265	1200,00	0,32	1,2	700	10320
1265	1500,00	0,28	0,9	700	10320
1265	1800,00	0,24	0,8	700	10320
1185	2400,00	0,18	0,6	700	10320
1100	3000,00	0,14	0,5	700	10320
1100	4000,00	0,11	0,4	700	10320
1100	5000,00	0,10	0,3	700	10320

LWB+LXWC 63+130

Mn_2 [Nm]	i	Pn_1 [kW]	n_2 [rpm]	Fr_1 [N]	Fr_2 [N]
1123	100,00	2,28	14,0	595	10722
1584	150,00	2,28	9,3	595	12274
1600	200,00	1,75	7,0	595	13500
1530	250,00	1,37	5,6	595	13500
1760	300,00	1,45	4,7	595	13500
1650	400,00	1,07	3,5	595	13500
1550	500,00	0,84	2,8	595	13500
1760	600,00	0,77	2,3	700	13500
1760	750,00	0,64	1,9	700	13500
1760	900,00	0,56	1,6	700	13500
1760	1200,00	0,45	1,2	700	13500
1760	1500,00	0,38	0,9	700	13500
1760	1800,00	0,33	0,8	700	13500
1650	2400,00	0,25	0,6	700	13500
1550	3000,00	0,19	0,5	700	13500
1550	4000,00	0,16	0,4	700	13500
1550	5000,00	0,14	0,3	700	13500

LWB+LXWC 40+90

Mn ₂ [Nm]	i	Pn ₁ [kW]	n ₂ [rpm]	Fr1 [N]	Fr2 [N]
377	100,00	0,65	11,4	350	6487
385	150,00	0,46	7,6	350	6487
373	200,00	0,35	5,7	350	6487
570	250,00	0,45	4,6	350	8180
700	300,00	0,49	3,8	350	8180
610	400,00	0,35	2,9	350	8180
560	500,00	0,27	2,3	350	8180
700	600,00	0,27	1,9	350	8180
700	750,00	0,22	1,5	350	8180
700	900,00	0,20	1,3	350	8180
700	1200,00	0,16	1,0	350	8180
700	1500,00	0,14	0,8	350	8180
700	1800,00	0,12	0,6	350	8180
610	2400,00	0,09	0,5	350	8180
560	3000,00	0,07	0,4	350	8180
560	4000,00	0,06	0,3	350	8180
560	5000,00	0,05	0,2	350	8180

LWB+LXWC 50+90

Mn ₂ [Nm]	i	Pn ₁ [kW]	n ₂ [rpm]	Fr1 [N]	Fr2 [N]
590	100,00	1,00	11,4	490	6487
660	150,00	0,78	7,6	490	7426
610	200,00	0,56	5,7	490	8174
570	250,00	0,44	4,6	490	8180
700	300,00	0,48	3,8	490	8180
610	400,00	0,34	2,9	490	8180
570	500,00	0,24	2,3	490	8180
700	600,00	0,26	1,9	490	8180
700	750,00	0,22	1,5	490	8180
700	900,00	0,20	1,3	490	8180
700	1200,00	0,16	1,0	490	8180
700	1500,00	0,13	0,8	490	8180
700	1800,00	0,12	0,6	490	8180
610	2400,00	0,08	0,5	490	8180
560	3000,00	0,07	0,4	490	8180
560	4000,00	0,06	0,3	490	8180
560	5000,00	0,05	0,2	490	8180

LWB+LXWC 50+110

Mn_2 [Nm]	i	Pn_1 [kW]	n2 [rpm]	Fr1 [N]	Fr2 [N]
702	100,00	1,19	11,4	490	8198
1014	150,00	1,19	7,6	490	9384
990	200,00	0,89	5,7	490	10320
1020	250,00	0,76	4,6	490	10320
1100	300,00	0,76	3,8	490	10320
1030	400,00	0,55	2,9	490	10320
1020	500,00	0,41	2,3	490	10320
1100	600,00	0,41	1,9	490	10320
1100	750,00	0,34	1,5	490	10320
1100	900,00	0,31	1,3	490	10320
1100	1200,00	0,25	1,0	490	10320
1100	1500,00	0,21	0,8	490	10320
1100	1800,00	0,19	0,6	490	10320
1030	2400,00	0,14	0,5	490	10320
1000	3000,00	0,11	0,4	490	10320
1000	4000,00	0,09	0,3	490	10320
1000	5000,00	0,08	0,2	490	10320

LWB+LXWC 63+110

Mn_2 [Nm]	i	Pn_1 [kW]	n2 [rpm]	Fr1 [N]	Fr2 [N]
1127	100,00	1,90	11,4	667	8198
1196	150,00	1,40	7,6	667	9384
1139	200,00	1,02	5,7	667	10320
1173	250,00	0,87	4,6	667	10320
1265	300,00	0,87	3,8	667	10320
1185	400,00	0,63	2,9	667	10320
1173	500,00	0,46	2,3	700	10320
1265	600,00	0,47	1,9	700	10320
1265	750,00	0,39	1,5	700	10320
1265	900,00	0,34	1,3	700	10320
1265	1200,00	0,27	1,0	700	10320
1265	1500,00	0,23	0,8	700	10320
1265	1800,00	0,20	0,6	700	10320
1185	2400,00	0,15	0,5	700	10320
1100	3000,00	0,11	0,4	700	10320
1100	4000,00	0,09	0,3	700	10320
1100	5000,00	0,08	0,2	700	10320

LWB+LXWC 63+130

Mn_2 [Nm]	i	Pn_1 [kW]	n2 [rpm]	Fr1 [N]	Fr2 [N]
1183	100,00	1,97	11,4	667	10722
1668	150,00	1,97	7,6	667	12274
1600	200,00	1,44	5,7	667	13500
1530	250,00	1,13	4,6	667	13500
1760	300,00	1,19	3,8	667	13500
1650	400,00	0,88	2,9	667	13500
1550	500,00	0,69	2,3	667	13500
1760	600,00	0,64	1,9	700	13500
1760	750,00	0,53	1,5	700	13500
1760	900,00	0,47	1,3	700	13500
1760	1200,00	0,37	1,0	700	13500
1760	1500,00	0,32	0,8	700	13500
1760	1800,00	0,28	0,6	700	13500
1650	2400,00	0,21	0,5	700	13500
1550	3000,00	0,16	0,4	700	13500
1550	4000,00	0,13	0,3	700	13500
1550	5000,00	0,12	0,2	700	13500

LWB+LXWC 40+90

Mn_2 [Nm]	i	Pn_1 [kW]	n_2 [rpm]	Fr_1 [N]	Fr_2 [N]
394	100,00	0,55	9,0	350	6487
410	150,00	0,40	6,0	350	6487
394	200,00	0,30	4,5	350	6487
570	250,00	0,36	3,6	350	8180
700	300,00	0,40	3,0	350	8180
610	400,00	0,28	2,3	350	8180
560	500,00	0,22	1,8	350	8180
700	600,00	0,22	1,5	350	8180
700	750,00	0,18	1,2	350	8180
700	900,00	0,16	1,0	350	8180
700	1200,00	0,13	0,8	350	8180
700	1500,00	0,11	0,6	350	8180
700	1800,00	0,10	0,5	350	8180
610	2400,00	0,07	0,4	350	8180
560	3000,00	0,06	0,3	350	8180
560	4000,00	0,05	0,2	350	8180
560	5000,00	0,04	0,2	350	8180

LWB+LXWC 50+90

Mn_2 [Nm]	i	Pn_1 [kW]	n_2 [rpm]	Fr_1 [N]	Fr_2 [N]
590	100,00	0,80	9,0	490	6487
660	150,00	0,63	6,0	490	7426
610	200,00	0,45	4,5	490	8174
570	250,00	0,35	3,6	490	8180
700	300,00	0,39	3,0	490	8180
610	400,00	0,27	2,3	490	8180
570	500,00	0,19	1,8	490	8180
700	600,00	0,21	1,5	490	8180
700	750,00	0,18	1,2	490	8180
700	900,00	0,16	1,0	490	8180
700	1200,00	0,13	0,8	490	8180
700	1500,00	0,11	0,6	490	8180
700	1800,00	0,10	0,5	490	8180
610	2400,00	0,07	0,4	490	8180
560	3000,00	0,05	0,3	490	8180
560	4000,00	0,04	0,2	490	8180
560	5000,00	0,04	0,2	490	8180

LWB+LXWC 50+110

Mn_2 [Nm]	i	Pn_1 [kW]	n2 [rpm]	Fr1 [N]	Fr2 [N]
754	100,00	1,02	9,0	490	8198
1040	150,00	0,97	6,0	490	9384
990	200,00	0,71	4,5	490	10320
1020	250,00	0,60	3,6	490	10320
1100	300,00	0,61	3,0	490	10320
1030	400,00	0,44	2,3	490	10320
1020	500,00	0,33	1,8	490	10320
1100	600,00	0,33	1,5	490	10320
1100	750,00	0,28	1,2	490	10320
1100	900,00	0,25	1,0	490	10320
1100	1200,00	0,20	0,8	490	10320
1100	1500,00	0,17	0,6	490	10320
1100	1800,00	0,15	0,5	490	10320
1030	2400,00	0,11	0,4	490	10320
1000	3000,00	0,09	0,3	490	10320
1000	4000,00	0,08	0,2	490	10320
1000	5000,00	0,07	0,2	490	10320

LWB+LXWC 63+110

Mn_2 [Nm]	i	Pn_1 [kW]	n2 [rpm]	Fr1 [N]	Fr2 [N]
1127	100,00	1,52	9,0	661	8198
1196	150,00	1,12	6,0	661	9384
1139	200,00	0,82	4,5	661	10320
1173	250,00	0,69	3,6	661	10320
1265	300,00	0,70	3,0	661	10320
1185	400,00	0,51	2,3	661	10320
1173	500,00	0,38	1,8	700	10320
1265	600,00	0,38	1,5	700	10320
1265	750,00	0,31	1,2	700	10320
1265	900,00	0,28	1,0	700	10320
1265	1200,00	0,22	0,8	700	10320
1265	1500,00	0,19	0,6	700	10320
1265	1800,00	0,17	0,5	700	10320
1185	2400,00	0,12	0,4	700	10320
1100	3000,00	0,09	0,3	700	10320
1100	4000,00	0,08	0,2	700	10320
1100	5000,00	0,07	0,2	700	10320

LWB+LXWC 63+130

Mn_2 [Nm]	i	Pn_1 [kW]	n_2 [rpm]	Fr_1 [N]	Fr_2 [N]
1270	100,00	1,70	9,0	661	10722
1700	150,00	1,61	6,0	661	12274
1600	200,00	1,15	4,5	661	13500
1530	250,00	0,90	3,6	661	13500
1760	300,00	0,96	3,0	661	13500
1650	400,00	0,70	2,3	661	13500
1550	500,00	0,55	1,8	661	13500
1760	600,00	0,52	1,5	700	13500
1760	750,00	0,43	1,2	700	13500
1760	900,00	0,38	1,0	700	13500
1760	1200,00	0,31	0,8	700	13500
1760	1500,00	0,26	0,6	700	13500
1760	1800,00	0,23	0,5	700	13500
1650	2400,00	0,17	0,4	700	13500
1550	3000,00	0,13	0,3	700	13500
1550	4000,00	0,11	0,2	700	13500
1550	5000,00	0,10	0,2	700	13500

LWB+LXWC 40+90

Mn_2 [Nm]	i	Pn_1 [kW]	n2 [rpm]	Fr1 [N]	Fr2 [N]
484	100,00	0,38	5,0	350	6487
500	150,00	0,28	3,3	350	6487
467	200,00	0,20	2,5	350	6487
570	250,00	0,20	2,0	350	8180
700	300,00	0,23	1,7	350	8180
610	400,00	0,16	1,3	350	8180
560	500,00	0,12	1,0	350	8180
700	600,00	0,12	0,8	350	8180
700	750,00	0,10	0,7	350	8180
700	900,00	0,09	0,6	350	8180
700	1200,00	0,08	0,4	350	8180
700	1500,00	0,07	0,3	350	8180
700	1800,00	0,06	0,3	350	8180
610	2400,00	0,04	0,2	350	8180
560	3000,00	0,03	0,2	350	8180
560	4000,00	0,03	0,1	350	8180
560	5000,00	0,03	0,1	350	8180

LWB+LXWC 50+90

Mn_2 [Nm]	i	Pn_1 [kW]	n2 [rpm]	Fr1 [N]	Fr2 [N]
590	100,00	0,46	5,0	490	6487
660	150,00	0,36	3,3	490	7426
610	200,00	0,26	2,5	490	8174
570	250,00	0,20	2,0	490	8180
700	300,00	0,22	1,7	490	8180
610	400,00	0,16	1,3	490	8180
570	500,00	0,11	1,0	490	8180
700	600,00	0,12	0,8	490	8180
700	750,00	0,10	0,7	490	8180
700	900,00	0,09	0,6	490	8180
700	1200,00	0,08	0,4	490	8180
700	1500,00	0,07	0,3	490	8180
700	1800,00	0,06	0,3	490	8180
610	2400,00	0,04	0,2	490	8180
560	3000,00	0,03	0,2	490	8180
560	4000,00	0,03	0,1	490	8180
560	5000,00	0,03	0,1	490	8180

LWB+LXWC 50+110

Mn_2 [Nm]	i	Pn_1 [kW]	n2 [rpm]	Fr1 [N]	Fr2 [N]
927	100,00	0,72	5,0	490	8198
1040	150,00	0,56	3,3	490	9384
990	200,00	0,41	2,5	490	10320
1020	250,00	0,35	2,0	490	10320
1100	300,00	0,35	1,7	490	10320
1030	400,00	0,25	1,3	490	10320
1020	500,00	0,19	1,0	490	10320
1100	600,00	0,19	0,8	490	10320
1100	750,00	0,16	0,7	490	10320
1100	900,00	0,15	0,6	490	10320
1100	1200,00	0,12	0,4	490	10320
1100	1500,00	0,10	0,3	490	10320
1100	1800,00	0,09	0,3	490	10320
1030	2400,00	0,07	0,2	490	10320
1000	3000,00	0,05	0,2	490	10320
1000	4000,00	0,05	0,1	490	10320
1000	5000,00	0,04	0,1	490	10320

LWB+LXWC 63+110

Mn_2 [Nm]	i	Pn_1 [kW]	n2 [rpm]	Fr1 [N]	Fr2 [N]
1127	100,00	0,88	5,0	700	8198
1196	150,00	0,64	3,3	700	9384
1139	200,00	0,47	2,5	700	10320
1173	250,00	0,40	2,0	700	10320
1265	300,00	0,40	1,7	700	10320
1185	400,00	0,29	1,3	700	10320
1173	500,00	0,22	1,0	700	10320
1265	600,00	0,22	0,8	700	10320
1265	750,00	0,18	0,7	700	10320
1265	900,00	0,17	0,6	700	10320
1265	1200,00	0,13	0,4	700	10320
1265	1500,00	0,12	0,3	700	10320
1265	1800,00	0,10	0,3	700	10320
1185	2400,00	0,07	0,2	700	10320
1100	3000,00	0,06	0,2	700	10320
1100	4000,00	0,05	0,1	700	10320
1100	5000,00	0,04	0,1	700	10320

LWB+LXWC 63+130

Mn_2 [Nm]	i	Pn_1 [kW]	n_2 [rpm]	Fr_1 [N]	Fr_2 [N]
1530	100,00	1,18	5,0	700	10722
1700	150,00	0,93	3,3	700	12274
1600	200,00	0,66	2,5	700	13500
1530	250,00	0,52	2,0	700	13500
1760	300,00	0,55	1,7	700	13500
1650	400,00	0,41	1,3	700	13500
1550	500,00	0,32	1,0	700	13500
1760	600,00	0,30	0,8	700	13500
1760	750,00	0,25	0,7	700	13500
1760	900,00	0,23	0,6	700	13500
1760	1200,00	0,18	0,4	700	13500
1760	1500,00	0,16	0,3	700	13500
1760	1800,00	0,14	0,3	700	13500
1650	2400,00	0,10	0,2	700	13500
1550	3000,00	0,08	0,2	700	13500
1550	4000,00	0,07	0,1	700	13500
1550	5000,00	0,06	0,1	700	13500

All supplies effected by MOTOVARIO are governed exclusively by the general terms of sale that you can find on our website:

<http://www.motovario.com/eng/corporate/sales-conditions>

