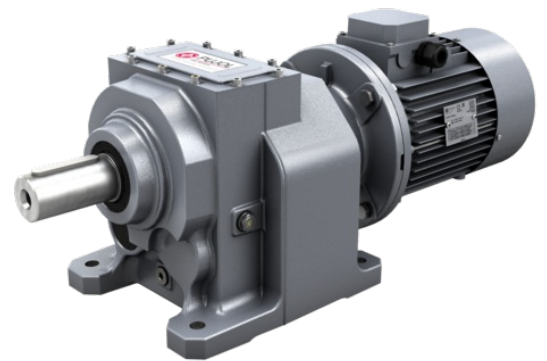


TECHNICAL CATALOGUE

SXH SERIES



HELICAL **GEARED** MOTORS

STANDARD **IEC**



PUJOL

Gear Solutions

a **TECO** Group company

1. GENERAL INFORMATION

1.1	SYMBOLS AND FORMULAS	4
1.1.1	Symbols	4
1.1.2	Formulas	5
1.2	PRODUCT SELECTION	6
1.3	SERVICE FACTOR	7
1.4	INSTALLATION	8

2. PRODUCT INFORMATION

2.1	DESIGN FEATURES	9
2.2	TYOLOGY	10
2.2.1	Designation	10
2.2.2	Versions	11
2.2.3	Modularity	13
2.3	MOUNTING POSITIONS	15
2.3.1	Mounting positions	15
2.3.2	Position of terminal box	16
2.4	THERMAL POWER	17
2.4.1	Information	17
2.4.2	Verification	17
2.5	CRITICAL APPLICATIONS	18
2.5.1	Critical applications	18
2.5.2	Information	18
2.6	MOTOR FLANGE AVAILABILITY	19
2.6.1	SXA Motor flange availability	19
2.6.2	SXH Motor flange availability	20
2.7	OUTPUT SHAFT BEARINGS	24
2.8	OVERHUNG LOAD	25
2.8.1	Information	25
2.8.2	Input	25
2.8.3	Output	26
2.9	LUBRICATION	27
2.9.1	Information	27

2.9.2	Lubricants	27
2.9.3	Special lubricants	28
2.9.4	Quantity	29
2.10	MOMENTS OF INERTIA	30

3. DIMENSIONS

3.1	REDUCERS/GEARED MOTORS	31
3.1.1	SXAC141	31
3.1.2	SXAC..1	32
3.1.3	SXA..1	33
3.1.4	SXAC..2	34
3.1.5	SXA..2	36
3.1.6	SXAC..3	38
3.1.7	SXA..3	40
3.1.8	SXHC..1	42
3.1.9	SXH..1	44
3.1.10	SXHC..2/3	46
3.1.11	SXH..2/3	48
3.2	WEIGHT	50
3.3	END SHAFT	51

4. ACCESSORIES AND OPTIONS

4.1	OUTPUT FLANGE	52
4.2	BACKSTOP DEVICE	53
4.3	REINFORCED OIL SEALS FOR OUTPUT SHAFT	54

5. PERFORMANCES

5.1	SXHC/SXAC GEARED MOTORS (50Hz)	55
5.2	SXH/SXA GEAR REDUCER - 1750 rpm	185
5.3	SXH/SXA GEAR REDUCER - 1400 rpm	199
5.4	SXH/SXA GEAR REDUCER - 1140 rpm	213
5.5	SXH/SXA GEAR REDUCER - 900 rpm	227

5.6	SXH/SXA GEAR REDUCER - 700 rpm	241
5.7	SXH/SXA GEAR REDUCER - 500 rpm	255

6. SALES CONDITIONS

6.1	SALES CONDITIONS	269
-----	------------------------	-----

1.1.1 Symbols

Physical dimension	Symbol	Symbol units of measure	Input	Output
Power	P	[kW]	P ₁	P ₂
Requested power	Pr	[kW]	Pr ₁	Pr ₂
Nominal power	Pn	[kW]	Pn ₁	Pn ₂
Torque	M	[Nm]	M ₁	M ₂
Nominal torque	Mn	[Nm]		Mn ₂
Requested torque	Mr	[Nm]	Mr ₁	Mr ₂
Speed	n	[rpm]	n ₁	n ₂
Force	F	[N]		
Radial load	Fr	[N]	Fr ₁	Fr ₂
Axial load	Fa	[N]	Fa ₁	Fa ₂
Reduction ratio	i			
Dynamic efficiency	η _d			
Service factor	f.s.			
Static	s			
Dynamic	d			
Calculated	c			
Maximum	max			
Minimum	min			
Moment of inertia	J	[kgm ²]	J ₁	
Ambient temperature	T _{amb}	[°C]		
Dimension		[mm]		

1.1.2 Formulas

REDUCER		
Starting or stopping time	$t = v / a$	[s]
Velocity in rotary motion	$v = \pi * d * n / 60$ $v = \omega * r$	[m/s]
Speed velocity Angular velocity	$n = 60 * v / (\pi * d)$ $\omega = v / r$	[rpm] [rad/s]
Acceleration or deceleration according to a starting / stopping time	$a = v / t$	[m/s ²]
Angular acceleration	$\alpha = n / (9,55 * t)$ $\alpha = \omega / t$	[rad/s ²]
Starting or stopping distance (according to acceleration / deceleration or angular velocity)	$s = a * t^2 / 2$ $s = v * t / 2$	[m]
Horizontal translation force	$F = \mu * m * g$	[N]
Vertical translation force (lifting)	$F = m * g$	
Inclined plane translation force	$F = m * g (\mu * \cos\beta + \sin\beta)$	
m= mass [kg]; g= gravity acceleration [m/s ²]; μ= friction coefficient; β= angle of inclination		
Moment of inertia	$J = m * v^2 / \omega^2$	[kgm ²]
Torque	$M = F * d / 2$ $M = J * \omega / t$	[Nm]

MOTOR and GEARMOTOR		
Starting time	$t_a = (J_{ext} + J_m) * n_n / 9,55 + (M_{peak} - M_r)$	[s]
Braking time	$t_s = (J_{ext} + J_m) * n_n / 9,55 + (M_{peak} + M_r)$	[s]
Motor rotation angle during starting	$\varphi = n_n * t_a / 19,1$	[rad]
Motor rotation angle during braking	$\varphi = n_n * t_s / 19,1$	[rad]
Power available at the shaft of single phase motor	$P = V * I * \eta * \cos\omega$	[W]
Power available at the shaft of three phase motor	$P = 1,73 * V * I * \eta * \cos\omega$	[W]

RUNNING at 60Hz		
Speed velocity at 60Hz	$n_{60Hz} = 1,2 * n_{50Hz}$	[rpm]
Power at 60Hz	$P_{1\ 60Hz} = P_{1\ 50Hz} * V_{60Hz} / V_{50Hz}$	[kW]
If input voltage at 60 Hz (V _{60Hz}) corresponds to winding voltage at 50 Hz (V _{50Hz}), power doesn't change $P_{1\ 60Hz} = P_{1\ 50Hz}$		
If input voltage at 60 Hz (V _{60Hz}) is 20% higher than winding voltage at 50 Hz (V _{50Hz}), power increases by 20% $P_{1\ 60Hz} = 1,2 P_{1\ 50Hz}$		
Torque at 60Hz	$M_{60Hz} = M_{50Hz} * P_{1\ 60Hz} / (1,2 * P_{1\ 50Hz})$	[Nm]
Service factor at 60Hz	$f.s_{60Hz} = f.s_{50Hz} * 1,175 * P_{1\ 50Hz} / P_{1\ 60Hz}$	-

For correctly selecting a gear reducer or geared motor, several essential pieces of data are required:

- A. The rotational input speed to the gear reducer (n_1) and the rotational output speed (n_2). Through these two values it is possible to calculate the reduction ratio (i) of the gear reducer using the following formula: $i=n_1/n_2$
- B. The torque required by the application (Mr_2).

The geared motor or gear reducer can be selected once this data is known.

This guide helps you to select the right product in just a few steps:

Geared motor selection

1. Determine the application's actual service factor (**s.f.**). This parameter depends on the type of load of the powered machine, the number of starts per hour and the hours of operation (refer to the "Service factor" paragraph).
2. Calculate the input power Pr_1 using the required torque value Mr_2 , the speed n_2 and dynamic efficiency value. $Pr_1=(Mr_2*n_2)/(9550*\eta_d)$. The dynamic efficiency value depends on the type of gear reducer and on the number of gear reduction stages. (To calculate the efficiency value see its page).
3. Consult the geared motor performance tables and identify a normalised power value Pn_1 exceeding the required power Pr_1 , such that: $Pn_1 \geq Pr_1$
4. Once the suitable nominal power has been identified, select the geared motor capable of generating the rotational speed closest to the desired n_2 value and with service factor s.f. greater or equal to that required by the application.

In the geared motor selection tables the combinations include 2-pole, 4-pole and 6-pole motors powered at 50Hz.

Gear reducer selection

1. Determine the application's service factor (**s.f.**) (consult to the "Service factor" paragraph on its page) .
2. Calculate the reduction ratio i from the requested output speed n_2 and from the input speed n_1 . $i=n_1/n_2$
3. Calculate the torque M_{c_2} for selecting the gear reducer through the torque required by the application Mr_2 and the service factor s.f.: $M_{c_2}=Mr_2*(f.s.)$
4. Consult the Gear Reducer Performance tables looking for the reducer that, with the reduction ratio closer to the calculated one, has a nominal torque Mn_2 so that: $Mn_2 \geq M_{c_2}$

Checks

Once the gear reducer or geared motor has been selected, the following checks should be performed:

A. Thermal power

The gear reducer's thermal power must be equal to or greater than the installed mechanical power, or the power required by the application according to the indications contained in the section (refer to the "Thermal power" paragraph).

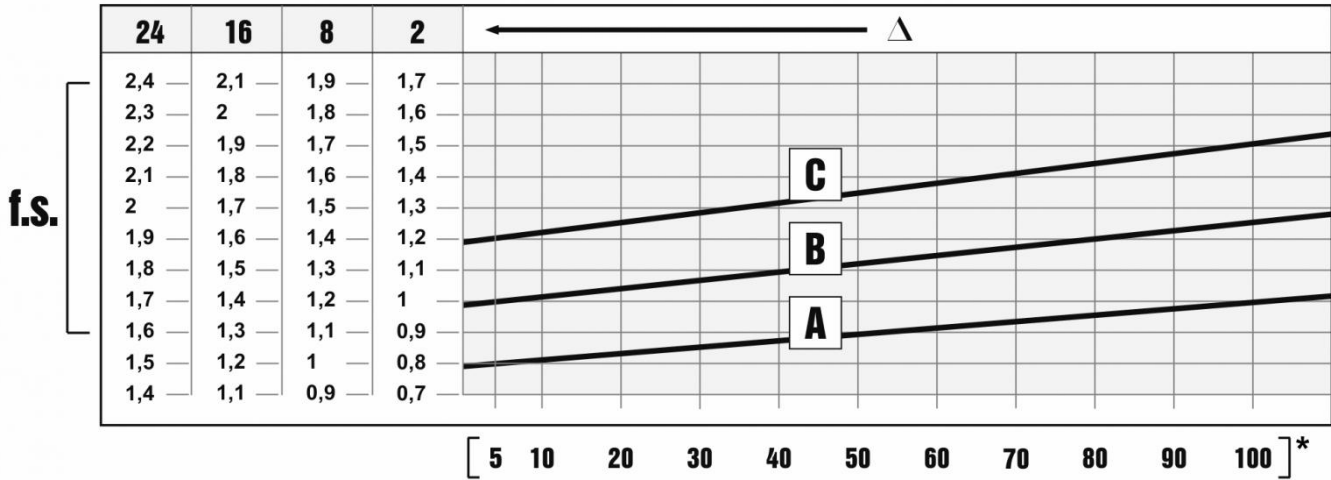
B. Maximum torque

Generally, the maximum torque (peak instantaneous load) that can be applied to the gear reducer must not exceed 200% of the nominal torque Mn_2 (ATEX - M_{2max}).

C. Radial loads

1. Verify that the radial loads acting on the input and/or output shafts are within with the values indicated in the catalogue. If they exceed these values, increase the size of the gear reducer or modify the external load capacity. During the checking phase, it is important to remember that the values indicated in the catalogue refer to loads acting on the mid-point of the shaft protrusion, therefore, if the load is applied to a different position, appropriate formulas must be used to calculate the admissible load in the desired position (refer to the "Radial loads" paragraph).
2. If accessory output shafts are present, make sure that the applied load is compatible with shaft size. If help is needed: contact GEAR SOLUTIONS TECHNICAL SERVICE.

D. If an electric motor is going to be fitted to the selected gear reducer, check for its applicability by referring to the configuration table (see paragraph "Motor flange availability"). From IEC 180 motors, verify if necessary to support the motor with feet. In case of need please contact GEAR SOLUTIONS TECHNICAL SERVICE.



The service factor (f.s.) depends on the operating conditions the gear reducer is subjected to. The parameters that need to be taken into consideration to select the most adequate service factor correctly comprise:

- type of load of the operated machine : A - B - C
- length of daily operating time: hours/day (Δ)
- start-up frequency: starts/hour (*)

LOAD:

- **A** - uniform = $f_a \leq 0,3$
- **B** - moderate shocks = $f_a \leq 3$
- **C** - heavy shocks = $f_a \leq 10$

$f_a = J_e/J_m$

- J_e [kgm^2] moment of reduced external inertia at the drive-shaft
- J_m [kgm^2] moment of inertia of motor

If $f_a > 10$ call our Technical Service.

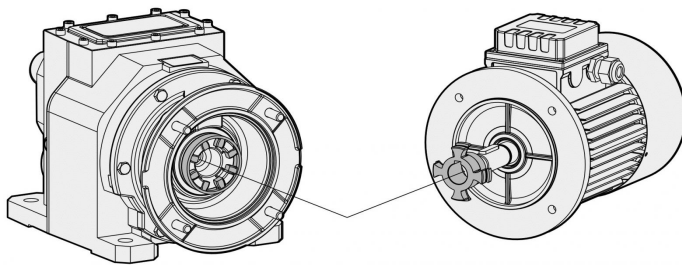
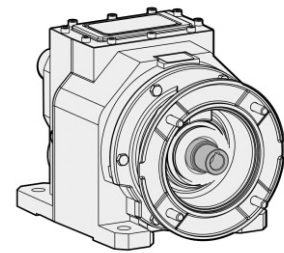
- A. Screw feeders for light materials, fans, assembly lines, conveyor belts for light materials, small mixers, lifts, cleaning machines, fillers, control machines.
- B. Winding devices, woodworking machine feeders, goods lifts, balancers, threading machines, medium mixers, conveyor belts for heavy materials, winches, sliding doors, fertilizer scrapers, packing machines, concrete mixers, crane mechanisms, milling cutters, folding machines, gear pumps.
- C. Mixers for heavy materials, shears, presses, centrifuges, rotating supports, winches and lifts for heavy materials, grinding lathes, stone mills, bucket elevators, drilling machines, hammer mills, cam presses, folding machines, turntables, tumbling barrels, vibrators, shredders.

To install the gear reducer it is necessary to note the following recommendations:

- Check the correct direction of rotation of the gear reducer output shaft before fitting the unit to the machine.
- In the case of particularly lengthy periods of storage (4/6 months), if the oil seal is not immersed in the lubricant inside the unit, it is recommended to change it since the rubber could stick to the shaft or may even have lost the elasticity it needs to function properly.
- Whenever possible, protect the gear reducer against solar radiation and bad weather.
- Ensure the motor cools correctly by ensuring good passage of air from the fan side.
- In the case of ambient temperatures $< -5^{\circ}\text{C}$ or $> +40^{\circ}\text{C}$ call the Technical Service.
- The various parts (pulleys, gear wheels, couplings, shafts, etc.) must be mounted on the shafts using special threaded holes or other systems that anyhow ensure correct operation without risking damage to the bearings or external parts of the units. Lubricate the surfaces in contact to avoid seizure or oxidation.
- Painting must definitely not go over rubber parts and the holes on the breather plugs, if any.
- For units equipped with oil plugs, replace the closed plug used for shipping with the special breather plug.
- Check the correct level of the lubricant through the indicator, if there is one.
- Starting must take place gradually, without immediately applying the maximum load.
- When there are parts, objects or materials under the motor drive that can be damaged by even limited spillage of oil, special protection should be fitted.

Assembling motor on pam flange

When the unit is supplied without motor, it is necessary to follow these recommendation to ensure the correct assembly of the electric motor. Check that the tolerances for the motor shaft and flange correspond to the "standard". Carefully clean the shaft, spigot and surfaces of the flange removing traces of paint and dirt, and confirm the key is fitted correctly. Fit the half coupling/sleeve to the motor shaft (see picture) taking care to ensure the motor shaft and bearings are not damaged by avoiding excessive force and where necessary using assembly equipment. Place the couplings elastic element onto the motor half coupling and position the motor up to the gear unit ensuring the coupling element is aligned with the driven half coupling. Complete the assembly using the fixing bolts. Key-ways with tightened tolerances.

Flexible joint**PAM Sleeve**

GEAR SOLUTIONS products are supplied with the following surface treatment features:

Die-cast aluminium alloy cases for gears

Die-cast materials undergo the following surface cleaning operations:

- De-burring by means of a mechanically operated shearing system.
- Accurate shot-peening.
- Painting.
- Washing and passivation.

Grey-coloured cast-iron cases for gears

- Die-cast materials are always painted.

Grey-coloured cast-iron inspection cover

- The gear reducer SXH... series with 2, 3 stages sizes 700, 900 are supplied with grey-coloured cast-iron closing cover and a metal nameplate printed.

Painting specifications:

- Dark Grey epoxy-polyester RAL 7031. Polyester resin based heat-hardening powders, altered with epoxy resins.

Mechanical properties

- Tests carried out onto degreased Unichim white lattens (film thickness: 60 microns) comply with the following specifications: adherence (ISO2409).

Heat resistance

- 24 HOURS AT 150°C.

Corrosion strength

- ASTM B 117/97 salt fog from 100 to 500 hours depending on the support's preliminary treatment.

Performance:

- Loading capacity in accordance with DIN 3990, ISO 6336, AGMA 2101, ISO 10300, DIN 3991, ISO 281, DIN 743.

Dynamic η :

- The efficiency is the ratio between the output power P_2 and the power absorbed by the gear reducer P_1 : $\eta = P_2/P_1$.

SXH/SXA-range helical gear reducers have an average value equal to:

SXH/SXA..1 stages = 0,97

SXH/SXA..2 stages = 0,96

SXH/SXA..3 stages = 0,94

2.2.1 Designation

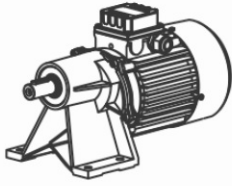


2.2.2 Versions

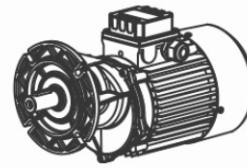
SXA 141 - 191 - 241 - 281 - 202/3 - 252/3 - 302/3 - 402/3

SINGLE STAGE

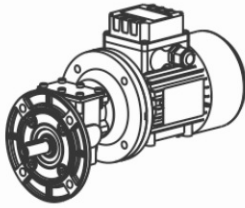
CASING WITH FOOT



F CASING WITH FLANGE

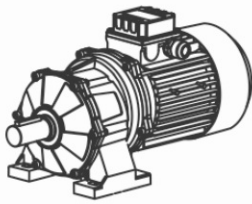


A31 CASING WITH FLANGE

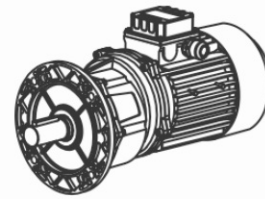


DOUBLE AND TRIPLE STAGE

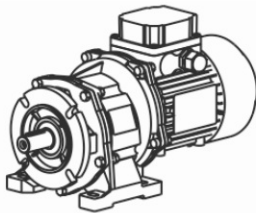
CASING WITH FOOT



F CASING WITH FLANGE



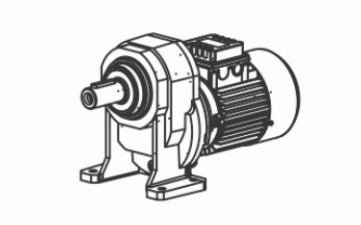
U CASING UNIVERSAL



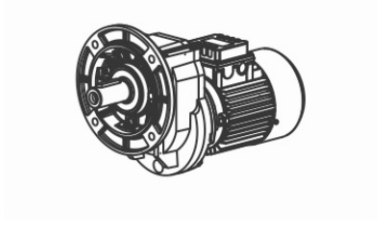
SXH 191 - 241 - 281 - 381 - 481 - 551 - 252/3 - 302/3 - 352/3 - 402/3 - 502/3 - 602/3 - 702/3 - 902/3

SINGLE STAGE

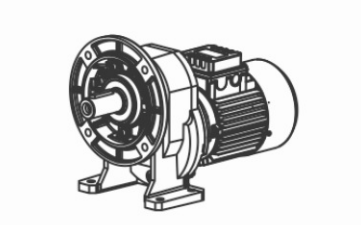
CASING WITH FOOT



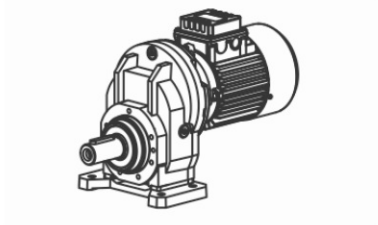
F CASING WITH FLANGE



U CASING UNIVERSAL

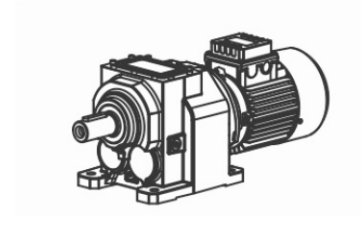


M CASING MONO

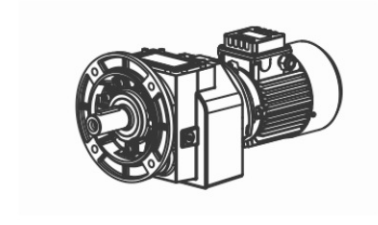


DOUBLE AND TRIPLE STAGE

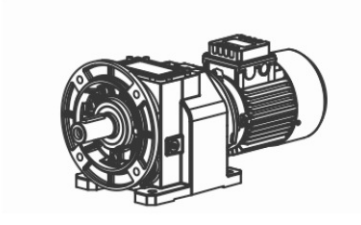
CASING WITH FOOT



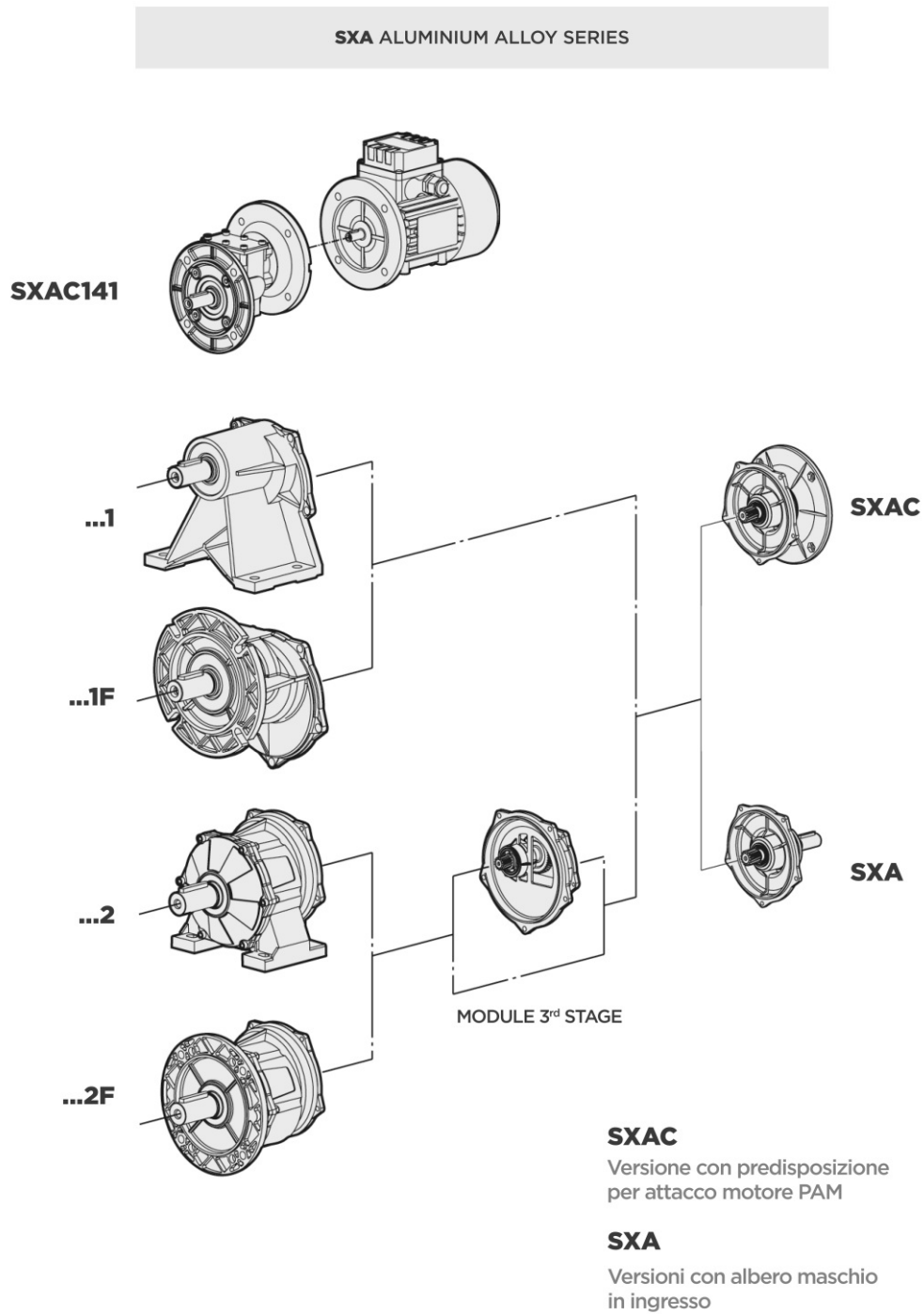
F CASING WITH FLANGE



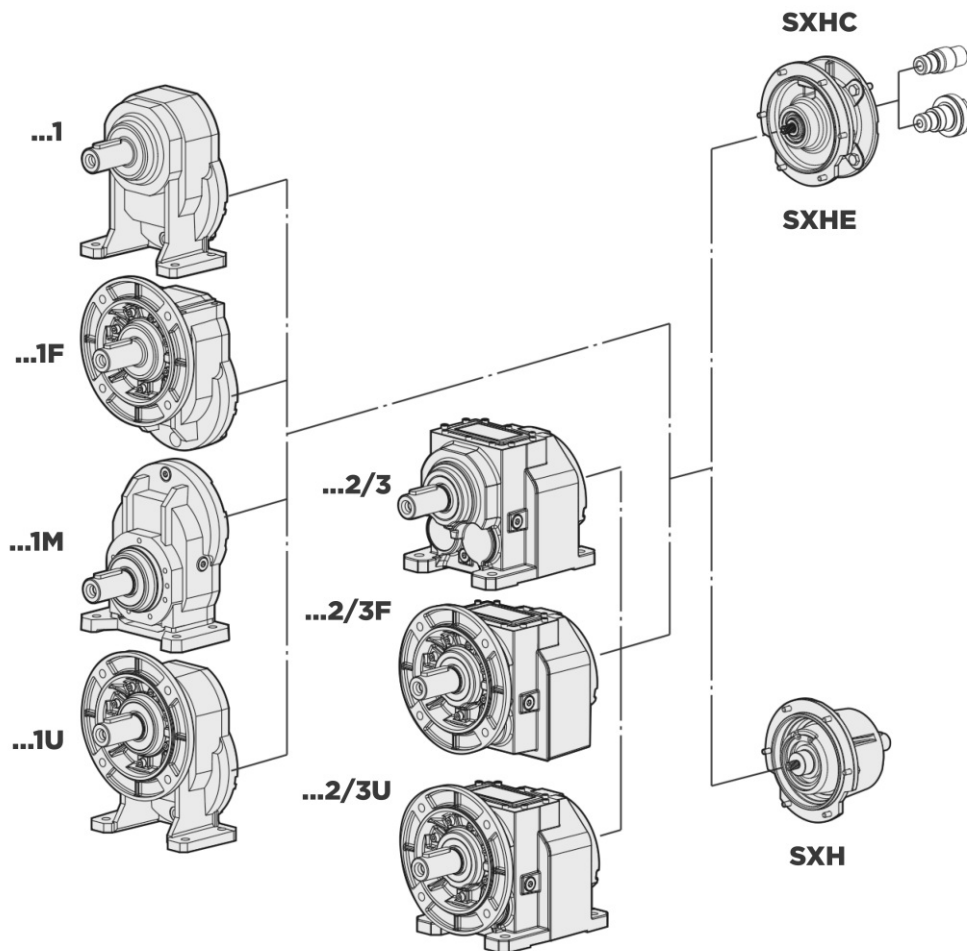
U CASING UNIVERSAL



2.2.3 Modularity



SXH GREY CAST IRON SERIES



SXHC

Fitted for motor coupling version (PAM)

SXHE

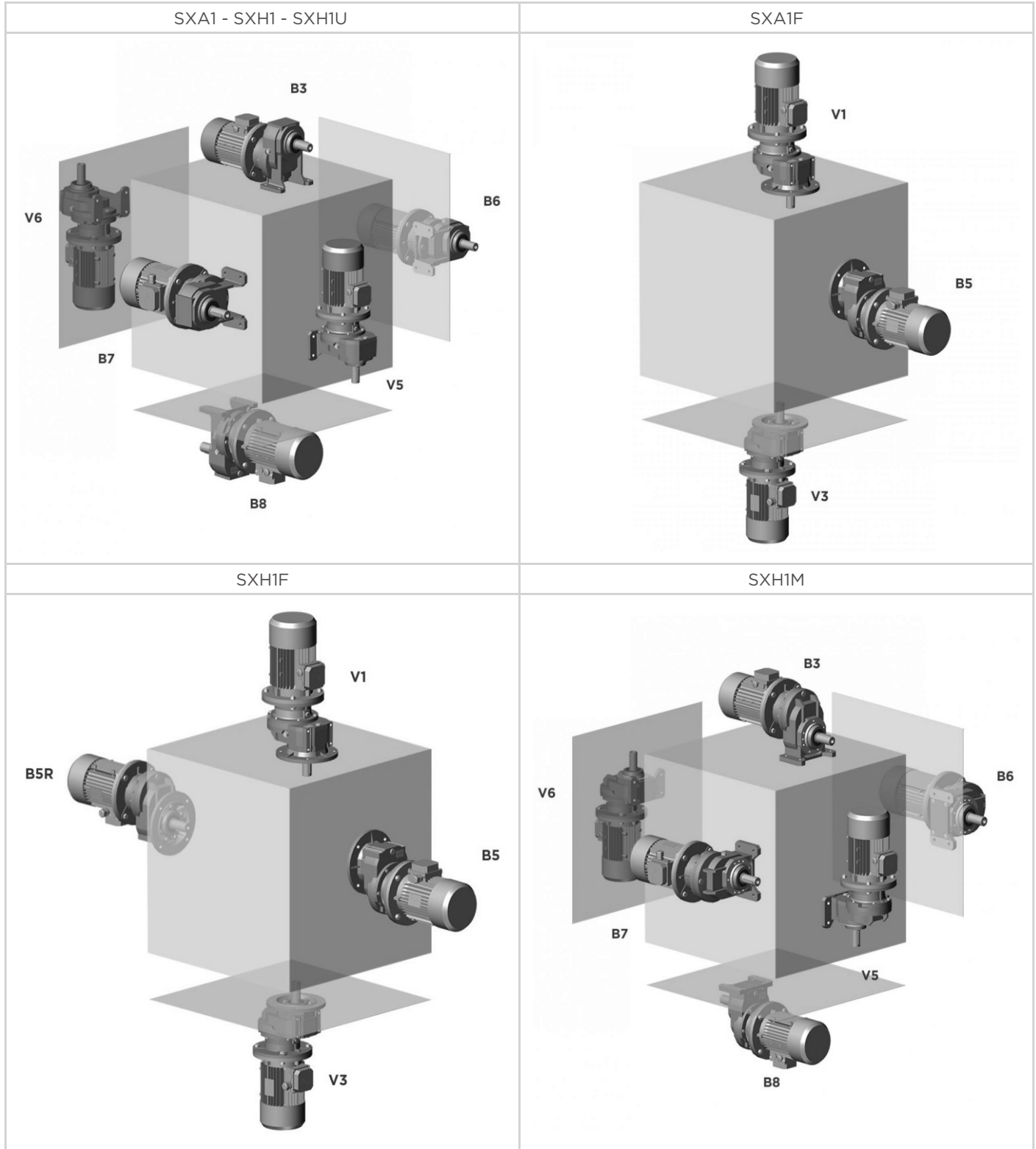
Fitted for motor mounting with flexible coupling

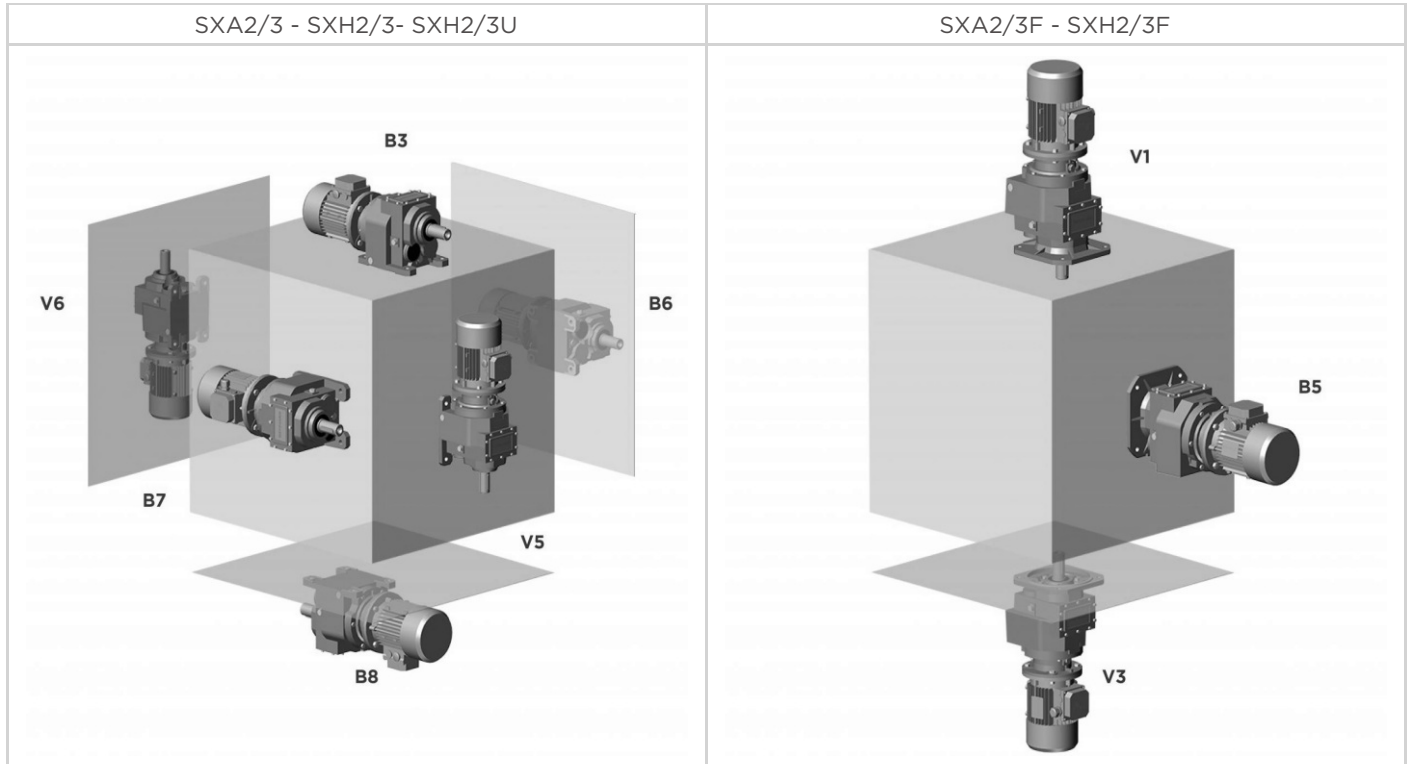
SXH

Input shaft versions

2.3.1 Mounting positions

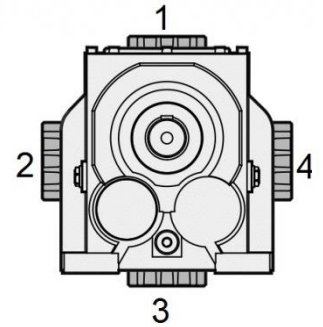
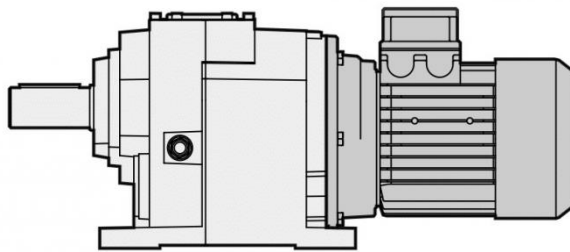
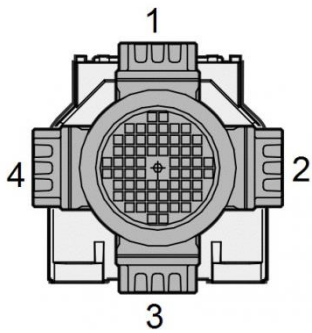
The mounting position of the gear unit identifies its space orientation. B3 mounting position, as from a technical point of view, ensures lower oil splash, better lubrication and less heating.





2.3.2 Position of terminal box

Unless otherwise specified when ordering, the gear reducer is supplied with terminal box in position 1.



2.4.1 Information

The scheme below indicates the nominal thermal power capacity Pth [kW] according to the following conditions:

- mounting position B3
- continuous operation at input speed <= 1,500 rpm
- environment temperature T_{amb}=25°C
- sea level altitude
- air speed around the gear reducer >=1m/s
- absence of external radial and/or axial loads

n ₁ = 1500rpm					
	Pth [kW]		Pth [kW]		Pth [kW]
SXA141	/	SXH191	6	SXH252	5
SXA191	5	SXH241	8,5	SXH302	7
SXA241	7	SXH281	13,5	SXH352	9
SXA281	15	SXH381	27,2	SXH402	15,5
SXA202	5	SXH481	51,5	SXH502	24
SXA252	6,5	SXH551	67,5	SXH602	30
SXA302	11			SXH702	36
SXA402	15			SXH902	49

A correct lubrication and a proper running condition of the gearbox are guaranteed only applying an input power not exceeding Pth (at the above reference conditions)(T oil max=95°C).

NOTE: Normally, three stages gearboxes do not require thermal power verification because the thermal rating usually exceed the mechanical one.

2.4.2 Verification

Application check

Except for continuous operating times below two hours and successive pauses capable of bringing the gear reducer back to ambient temperature, for each application it is peremptory to verify the gear reducer’s thermal limit according to the following formula: $P_1 < P_{th} * F_c * F_v * F_a$, where:

- P₁ = input power to the gear reducer [kW]
- P_{th} = thermal power at the reference conditions [kW] (see above table)
- F_c = ambient and operating temperature correction factor
- F_v = ventilation correction factor
- F_a = altitude correction factor

The correction factors refer to different operating conditions compared to the reference conditions, and are provided by the following ISO14179 tables:

Ambient temperature °C	F _c	Duty per hour of operation %				
		100	80	70	40	20
10	1,15	1,21	1,32	1,55	2,07	
18	1,07	1,12	1,23	1,44	1,93	
25	1,00	1,05	1,15	1,35	1,80	
30	0,93	0,98	1,07	1,26	1,67	
40	0,83	0,87	0,95	1,12	1,49	
43	0,75	0,79	0,86	1,01	1,35	
50	0,67	0,70	0,77	0,90	1,21	

Altitude (m)	F _a
0*	1
750	0,95
1500	0,9
2250	0,85
3000	0,81

Ventilation correction factor	F _v
Stagnant air (<0,5 m/s)	0.75
Indoor installation with slight ventilation	1
Indoor installation with good ventilation (>1,4 m/s)	1.4
Installazione all’aperto (>3,7 m/s)	1.9

*Sea level

In case of operation at input speeds exceeding 2000 rpm, or ambient temperatures greater than 40°C, it is advisable to contact out technical department.

2.5.1 Critical applications

	SXA				
	141	202-203	191-252-253	241-302-303	281-402-403
V5 - V1: 1500 < n1 < 3000	✓	✓	✓	✓	✓
n1 > 3000	B	B	B	B	B
V3 - V6	B	B	B	B	B

	SXH							
	252-253	191 302-303	241 352-353	281 402-403	381 502-503	481 602-603	551 702-703	902-903
V5 - V1: 1500 < n1 < 3000	✓	✓	✓	✓	✓	✓	B	B
n1 > 3000	B	B	B	B	B	B	A	A
V3 - V6	B	B	B	B	B	B	B	B

- ✓ Verified application
- A Application not recommended
- B Check the application and/or call our technical service

2.5.2 Information

The performance given in the catalogue correspond to mounting position B3 or similar, when the first stage is not entirely immersed in oil. For other mounting positions and/or particular input speeds, refer to the tables that highlight different critical situations for each size of gear reducer. It is also necessary to take due consideration of and carefully assess the following applications by calling our Technical Service:

- To avoid the use as multiplier.
- Use in services that could be hazardous for people if the gear reducer fails.
- Applications with especially high inertia.
- Use as a lifting winch.
- Applications with high dynamic strain on the case of the gear reducer.
- In places with T_{amb} under -5°C or over 40°C.
- Use in chemically aggressive environments.
- Use in a salty environment.
- Mounting positions not envisaged in the catalogue.
- Use in radioactive environments.
- Use in environments pressures other than atmospheric pressure.

Avoid applications where even partial immersion of the reducer is required. In the presence of overloading due to full load, braking, shocks or other static and dynamic causes, please verify that the peak torque is less than 2*Mn₂.

2.6.1 SXA Motor flange availability

B10 = Compact electric motor versions.

These tables report all possible dimensions. Please verify service factor.

	i	063	071	080	090	100	112
SXCA141	2,55 ÷ 4,75	B5	B5	B5			
SXAC141	5,1 ÷ 7,88	B5	B5				
SXAC141	10,83	B5					
SXAC202	5,38 ÷ 30,55	B5	B5-B14	B5-B14			
SXAC202	35,44 ÷ 60,67	B5	B5-B14				
SXAC203	51,32 ÷ 166,61	B5	B5-B14				
SXAC203	193,3 ÷ 347,29	B5	B5-B14	B5-B14			
SXAC191	1,45 ÷ 5,45	B5	B5-B14	B5-B14			
SXAC191	7,88 ÷ 10,83	B5	B5-B14				
SXAC252	5,38 ÷ 30,55	B5	B5-B14	B5-B14	B5-B14		
SXAC252	35,44 ÷ 60,67	B5	B5-B14				
SXAC253	51,32 ÷ 166,61	B5	B5-B14	B5-B14	B5-B14		
SXAC253	193,3 ÷ 347,29	B5	B5-B14				
SXAC241	1,45 ÷ 5,45	B5	B5-B14	B5-B14	B5-B14		
SXAC241	7,88 ÷ 10,83	B5	B5-B14				
SXAC302	5,14 ÷ 25,43			B5-B14	B5-B14	B5-B14	B5-B14
SXAC302	29,89 ÷ 61,87			B5-B14	B5-B14		
SXAC303	49,8 ÷ 163,05	B5	B5-B14	B5-B14	B5-B14		
SXAC302	200,27 ÷ 353,98	B5	B5-B14				
SXAC281	1,33 ÷ 4,38			B5-B14	B5-B14	B5-B14	B5-B14
SXAC281	7,75 ÷ 10,67			B5-B14	B5-B14		
SXAC402	5,14 ÷ 25,43			B5-B14	B5-B14	B5-B14	B5-B14
SXAC402	29,89 ÷ 61,87			B5-B14	B5-B14		
SXAC403	49,8 ÷ 163,05	B5	B5-B14	B5-B14	B5-B14		
SXAC403	200,27 ÷ 353,98	B5	B5-B14				

2.6.2 SXH Motor flange availability

B11 = Compact electric motor versions.

These tables report all possible dimensions. Please verify service factor.

*For motor size 063 the SXHE version does not exist.

SXHC - SXHE 252					
i	071	080	090	100	112
4,70	B5-B11	B5-B11	B5-B11	B5-B11	B5-B11
6,23	B5-B11	B5-B11	B5-B11	B5-B11	B5-B11
7,76	B5-B11	B5-B11	B5-B11	B5-B11	B5-B11
8,87	B5-B11	B5-B11	B5-B11	B5-B11	B5-B11
10,14	B5-B11	B5-B11	B5-B11	B5-B11	B5-B11
11,76	B5-B11	B5-B11	B5-B11	B5-B11	B5-B11
13,72	B5-B11	B5-B11	B5-B11	B5-B11	B5-B11
14,66	B5-B11	B5-B11	B5-B11	B5-B11	B5-B11
16,77	B5-B11	B5-B11	B5-B11	B5-B11	B5-B11
18,20	B5-B11	B5-B11	B5-B11	B5-B11	B5-B11
19,90	B5-B11	B5-B11	B5-B11		
22,68	B5-B11	B5-B11	B5-B11	B5-B11	B5-B11
23,83	B5-B11	B5-B11	B5-B11		
26,39	B5-B11	B5-B11	B5-B11		
29,70	B5-B11	B5-B11	B5-B11		
32,89	B5-B11	B5-B11	B5-B11		
37,92	B5-B11	B5-B11	B5-B11		
41,40	B5-B11	B5-B11	B5-B11		
47,25	B5-B11	B5-B11	B5-B11		

SXHC - SXHE 253				
i	*063	071	080	090
53,59	B5-B11	B5-B11	B5-B11	B5-B11
66,78	B5-B11	B5-B11	B5-B11	B5-B11
74,84	B5-B11	B5-B11	B5-B11	B5-B11
99,27	B5-B11	B5-B11	B5-B11	B5-B11
108,05	B5-B11	B5-B11		
123,71	B5-B11	B5-B11	B5-B11	B5-B11
143,33	B5-B11	B5-B11		
178,61	B5-B11	B5-B11		
197,17	B5-B11	B5-B11		
245,70	B5-B11	B5-B11		

SXHC - SXHE 191			
i	071	080	090
1,44	B5-B11	B5-B11	B5-B11
2,00	B5-B11	B5-B11	B5-B11
2,55	B5-B11	B5-B11	B5-B11
2,71	B5-B11	B5-B11	B5-B11
3,11	B5-B11	B5-B11	B5-B11
3,59	B5-B11	B5-B11	B5-B11
4,20	B5-B11	B5-B11	B5-B11
5,00	B5-B11	B5-B11	B5-B11
5,50	B5-B11	B5-B11	B5-B11
6,09	B5-B11	B5-B11	B5-B11
7,67	B5-B11	B5-B11	B5-B11
8,75	B5-B11	B5-B11	B5-B11

SXHC - SXHE 302					
i	071	080	090	100	112
5,46	B5-B11	B5-B11	B5-B11	B5-B11	B5-B11
7,19	B5-B11	B5-B11	B5-B11	B5-B11	B5-B11
8,91	B5-B11	B5-B11	B5-B11	B5-B11	B5-B11
10,31	B5-B11	B5-B11	B5-B11	B5-B11	B5-B11
11,80	B5-B11	B5-B11	B5-B11	B5-B11	B5-B11
13,57	B5-B11	B5-B11	B5-B11	B5-B11	B5-B11
15,96	B5-B11	B5-B11	B5-B11	B5-B11	B5-B11
19,00	B5-B11	B5-B11	B5-B11	B5-B11	B5-B11
21,00	B5-B11	B5-B11	B5-B11	B5-B11	B5-B11
23,15	B5-B11	B5-B11	B5-B11		
26,04	B5-B11	B5-B11	B5-B11	B5-B11	B5-B11
27,50	B5-B11	B5-B11	B5-B11		
30,45	B5-B11	B5-B11	B5-B11		
34,10	B5-B11	B5-B11	B5-B11		
37,76	B5-B11	B5-B11	B5-B11		
43,75	B5-B11	B5-B11	B5-B11		
47,53	B5-B11	B5-B11	B5-B11		
54,25	B5-B11	B5-B11	B5-B11		

SXHC - SXHE 303				
i	*063	071	080	090
61,83	B5-B11	B5-B11	B5-B11	B5-B11
76,67	B5-B11	B5-B11	B5-B11	B5-B11
87,05	B5-B11	B5-B11	B5-B11	B5-B11
114,55	B5-B11	B5-B11	B5-B11	B5-B11
125,69	B5-B11	B5-B11		
142,04	B5-B11	B5-B11	B5-B11	B5-B11
165,38	B5-B11	B5-B11		
205,07	B5-B11	B5-B11		
227,50	B5-B11	B5-B11		
282,10	B5-B11	B5-B11		

2.6 MOTOR FLANGE AVAILABILITY

SXHC - SXHE 241					
i	071	080	090	100	112
1,27		B5-B11	B5-B11	B5-B11	B5-B11
1,42		B5-B11	B5-B11	B5-B11	B5-B11
2,13		B5-B11	B5-B11	B5-B11	B5-B11
2,57	B5-B11	B5-B11	B5-B11	B5-B11	B5-B11
3,17	B5-B11	B5-B11	B5-B11	B5-B11	B5-B11
3,69	B5-B11	B5-B11	B5-B11	B5-B11	B5-B11
4,00	B5-B11	B5-B11	B5-B11	B5-B11	B5-B11
4,77	B5-B11	B5-B11	B5-B11	B5-B11	B5-B11
5,25	B5-B11	B5-B11	B5-B11	B5-B11	B5-B11
5,82	B5-B11	B5-B11	B5-B11	B5-B11	B5-B11
7,33	B5-B11	B5-B11	B5-B11		
8,38	B5-B11	B5-B11	B5-B11		

SXHC - SXHE 352					
i	071	080	090	100	112
5,73		B5-B11	B5-B11	B5-B11	B5-B11
6,89		B5-B11	B5-B11	B5-B11	B5-B11
8,53		B5-B11	B5-B11	B5-B11	B5-B11
9,56		B5-B11	B5-B11	B5-B11	B5-B11
11,51		B5-B11	B5-B11	B5-B11	B5-B11
14,24		B5-B11	B5-B11	B5-B11	B5-B11
16,59	B5-B11	B5-B11	B5-B11	B5-B11	B5-B11
18,00	B5-B11	B5-B11	B5-B11	B5-B11	B5-B11
19,97	B5-B11	B5-B11	B5-B11	B5-B11	B5-B11
21,67	B5-B11	B5-B11	B5-B11	B5-B11	B5-B11
24,71	B5-B11	B5-B11	B5-B11	B5-B11	B5-B11
26,18	B5-B11	B5-B11	B5-B11	B5-B11	B5-B11
28,44	B5-B11	B5-B11	B5-B11	B5-B11	B5-B11
31,52	B5-B11	B5-B11	B5-B11	B5-B11	B5-B11
33,00	B5-B11	B5-B11	B5-B11		
38,98	B5-B11	B5-B11	B5-B11	B5-B11	B5-B11
45,36	B5-B11	B5-B11	B5-B11		
49,13	B5-B11	B5-B11	B5-B11		
56,11	B5-B11	B5-B11	B5-B11		

SXHC - SXHE 353				
i	*063	071	080	090
58,81	B5-B11	B5-B11	B5-B11	B5-B11
72,75	B5-B11	B5-B11	B5-B11	B5-B11
90,51	B5-B11	B5-B11	B5-B11	B5-B11
108,95	B5-B11	B5-B11	B5-B11	B5-B11
134,76	B5-B11	B5-B11	B5-B11	B5-B11
157,29	B5-B11	B5-B11		
194,56	B5-B11	B5-B11		
216,38	B5-B11	B5-B11		
267,65	B5-B11	B5-B11		

SXHC - SXHE 281				
i	080	090	100	112
1,34	B5-B11	B5-B11	B5-B11	B5-B11
2,13	B5-B11	B5-B11	B5-B11	B5-B11
2,57	B5-B11	B5-B11	B5-B11	B5-B11
3,17	B5-B11	B5-B11	B5-B11	B5-B11
3,69	B5-B11	B5-B11	B5-B11	B5-B11
4,00	B5-B11	B5-B11	B5-B11	B5-B11
4,77	B5-B11	B5-B11	B5-B11	B5-B11
5,25	B5-B11	B5-B11	B5-B11	B5-B11
5,82	B5-B11	B5-B11	B5-B11	B5-B11
7,33	B5-B11	B5-B11	B5-B11	B5-B11
8,38	B5-B11	B5-B11	B5-B11	B5-B11

SXHC - SXHE 402					
i	080	090	100	112	132
5,38	B5-B11	B5-B11	B5-B11	B5-B11	B5-B11
5,93	B5-B11	B5-B11	B5-B11	B5-B11	B5-B11
7,39	B5-B11	B5-B11	B5-B11	B5-B11	B5-B11
8,50	B5-B11	B5-B11	B5-B11	B5-B11	B5-B11
9,39	B5-B11	B5-B11	B5-B11	B5-B11	B5-B11
11,69	B5-B11	B5-B11	B5-B11	B5-B11	B5-B11
12,67	B5-B11	B5-B11	B5-B11	B5-B11	B5-B11
14,75	B5-B11	B5-B11	B5-B11	B5-B11	B5-B11
16,29	B5-B11	B5-B11	B5-B11	B5-B11	B5-B11
17,67	B5-B11	B5-B11	B5-B11	B5-B11	B5-B11
20,28	B5-B11	B5-B11	B5-B11	B5-B11	B5-B11
23,27	B5-B11	B5-B11	B5-B11	B5-B11	B5-B11
25,70	B5-B11	B5-B11	B5-B11	B5-B11	B5-B11
29,33	B5-B11	B5-B11	B5-B11	B5-B11	
32,00	B5-B11	B5-B11	B5-B11	B5-B11	B5-B11
36,99	B5-B11	B5-B11	B5-B11	B5-B11	
40,33	B5-B11	B5-B11	B5-B11	B5-B11	
46,06	B5-B11	B5-B11	B5-B11	B5-B11	

SXHC - SXHE 403					
i	071	080	090	100	112
49,45		B5-B11	B5-B11	B5-B11	B5-B11
54,61		B5-B11	B5-B11	B5-B11	B5-B11
68,00		B5-B11	B5-B11	B5-B11	B5-B11
85,82	B5-B11	B5-B11	B5-B11	B5-B11	B5-B11
94,76	B5-B11	B5-B11	B5-B11	B5-B11	B5-B11
118,00	B5-B11	B5-B11	B5-B11	B5-B11	B5-B11
135,40	B5-B11	B5-B11	B5-B11	B5-B11	B5-B11
149,51	B5-B11	B5-B11	B5-B11	B5-B11	B5-B11
170,67	B5-B11	B5-B11	B5-B11		
186,18	B5-B11	B5-B11	B5-B11	B5-B11	B5-B11
215,21	B5-B11	B5-B11	B5-B11		
234,67	B5-B11	B5-B11	B5-B11		
268,00	B5-B11	B5-B11	B5-B11		

2.6 MOTOR FLANGE AVAILABILITY

SXHC - SXHE 381					
i	080	090	100	112	132
1,30					B5-B11
1,43					B5-B11
1,93					B5-B11
2,54			B5-B11	B5-B11	B5-B11
3,25			B5-B11	B5-B11	B5-B11
3,72			B5-B11	B5-B11	B5-B11
4,00			B5-B11	B5-B11	B5-B11
4,67			B5-B11	B5-B11	B5-B11
5,54	B5-B11	B5-B11	B5-B11	B5-B11	B5-B11
6,08	B5-B11	B5-B11	B5-B11	B5-B11	B5-B11
7,50	B5-B11	B5-B11	B5-B11	B5-B11	B5-B11
8,44	B5-B11	B5-B11	B5-B11	B5-B11	B5-B11

SXHC - SXHE 502						
i	080	090	100	112	132	160
5,39					B5-B11	B5
5,95					B5-B11	B5
7,39					B5-B11	B5
8,02					B5-B11	B5
8,85					B5-B11	B5
11,01					B5-B11	B5
13,50			B5-B11	B5-B11	B5-B11	B5
14,90			B5-B11	B5-B11	B5-B11	B5
16,60			B5-B11	B5-B11	B5-B11	B5
18,53			B5-B11	B5-B11	B5-B11	B5
19,38			B5-B11	B5-B11	B5-B11	B5
21,39			B5-B11	B5-B11	B5-B11	B5
22,80			B5-B11	B5-B11	B5-B11	B5
26,60			B5-B11	B5-B11	B5-B11	B5
27,88	B5-B11	B5-B11	B5-B11	B5-B11	B5-B11	
31,15	B5-B11	B5-B11	B5-B11	B5-B11	B5-B11	
34,38	B5-B11	B5-B11	B5-B11	B5-B11	B5-B11	
38,70	B5-B11	B5-B11	B5-B11	B5-B11	B5-B11	
42,75	B5-B11	B5-B11	B5-B11	B5-B11	B5-B11	
48,13	B5-B11	B5-B11	B5-B11	B5-B11	B5-B11	

SXHC - SXHE 503					
i	080	090	100	112	132
56,53	B5-B11	B5-B11	B5-B11	B5-B11	B5-B11
71,48	B5-B11	B5-B11	B5-B11	B5-B11	B5-B11
78,87	B5-B11	B5-B11	B5-B11	B5-B11	B5-B11
85,60	B5-B11	B5-B11	B5-B11	B5-B11	B5-B11
98,09	B5-B11	B5-B11	B5-B11	B5-B11	B5-B11
112,78	B5-B11	B5-B11	B5-B11	B5-B11	B5-B11
124,44	B5-B11	B5-B11	B5-B11	B5-B11	B5-B11
142,15	B5-B11	B5-B11	B5-B11	B5-B11	
154,76	B5-B11	B5-B11	B5-B11	B5-B11	B5-B11
162,35	B5-B11	B5-B11			
179,13	B5-B11	B5-B11			
195,07	B5-B11	B5-B11			
222,78	B5-B11	B5-B11			

SXHC - SXHE 481					
i	100	112	132	160	180
1,29			B5-B11	B5	B5
1,41			B5-B11	B5	B5
2,03			B5-B11	B5	B5
2,48			B5-B11	B5	B5
3,27	B5-B11	B5-B11	B5-B11	B5	B5
3,70	B5-B11	B5-B11	B5-B11	B5	B5
4,22			B5-B11	B5	B5
4,88	B5-B11	B5-B11	B5-B11	B5	B5
5,27	B5-B11	B5-B11	B5-B11	B5	B5
6,23	B5-B11	B5-B11	B5-B11	B5	
7,55	B5-B11	B5-B11	B5-B11	B5	
8,40	B5-B11	B5-B11	B5-B11	B5	

SXHC - SXHE 602					
i	100	112	132	160	180
5,26			B5-B11	B5	B5
6,36			B5-B11	B5	B5
7,05			B5-B11	B5	B5
8,27			B5-B11	B5	B5
9,99			B5-B11	B5	B5
11,09			B5-B11	B5	B5
13,32	B5-B11	B5-B11	B5-B11	B5	B5
16,09	B5-B11	B5-B11	B5-B11	B5	B5
17,85	B5-B11	B5-B11	B5-B11	B5	B5
19,80	B5-B11	B5-B11	B5-B11	B5	B5
21,44	B5-B11	B5-B11	B5-B11	B5	B5
24,00	B5-B11	B5-B11	B5-B11	B5	B5
25,89	B5-B11	B5-B11	B5-B11	B5	B5
28,73	B5-B11	B5-B11	B5-B11	B5	B5
30,70	B5-B11	B5-B11	B5-B11	B5	
34,20	B5-B11	B5-B11	B5-B11	B5	
38,45	B5-B11	B5-B11	B5-B11		
41,30	B5-B11	B5-B11	B5-B11	B5	
45,82	B5-B11	B5-B11	B5-B11	B5	
51,52	B5-B11	B5-B11	B5-B11		

SXHC - SXHE 603					
i	090	100	112	132	160
55,47				B5-B11	B5
69,69		B5-B11	B5-B11	B5-B11	B5
79,80		B5-B11	B5-B11	B5-B11	B5
84,16		B5-B11	B5-B11	B5-B11	B5
93,36		B5-B11	B5-B11	B5-B11	B5
100,07		B5-B11	B5-B11	B5-B11	B5
120,84		B5-B11	B5-B11	B5-B11	B5
134,06		B5-B11	B5-B11	B5-B11	B5
143,40	B5-B11	B5-B11	B5-B11	B5-B11	
160,82	B5-B11	B5-B11	B5-B11	B5-B11	
181,07	B5-B11	B5-B11	B5-B11	B5-B11	
194,21	B5-B11	B5-B11	B5-B11	B5-B11	
215,45	B5-B11	B5-B11	B5-B11	B5-B11	
242,59	B5-B11	B5-B11	B5-B11	B5-B11	

2.6 MOTOR FLANGE AVAILABILITY

SXHC - SXHE 551				
i	132	160	180	200
1,23		B5	B5	B5
1,42		B5	B5	B5
1,81		B5	B5	B5
2,00	B5-B11	B5	B5	B5
2,48	B5-B11	B5	B5	B5
2,95	B5-B11	B5	B5	B5
3,14	B5-B11	B5	B5	B5
3,58	B5-B11	B5	B5	B5
4,12	B5-B11	B5	B5	B5
4,80	B5-B11	B5	B5	B5
5,21	B5-B11	B5	B5	
6,25	B5-B11	B5	B5	
7,70	B5-B11	B5	B5	

SXHC - SXHE 702				
i	132	160	180	200
5,27		B5	B5	B5
5,78		B5	B5	B5
7,05		B5	B5	B5
7,74		B5	B5	B5
8,48		B5	B5	B5
10,35		B5	B5	B5
12,66	B5-B11	B5	B5	B5
13,86	B5-B11	B5	B5	B5
16,92	B5-B11	B5	B5	B5
19,30	B5-B11	B5	B5	B5
20,57	B5-B11	B5	B5	B5
22,52	B5-B11	B5	B5	B5
24,47	B5-B11	B5	B5	
27,49	B5-B11	B5	B5	B5
29,86	B5-B11	B5	B5	
33,00	B5-B11	B5	B5	
36,13	B5-B11	B5	B5	
44,10	B5-B11	B5	B5	

SXHC - SXHE 703						
i	100	112	132	160	180	200
45,77			B5-B11	B5	B5	B5
55,87			B5-B11	B5	B5	B5
67,32	B5-B11	B5-B11	B5-B11	B5	B5	B5
73,71	B5-B11	B5-B11	B5-B11	B5	B5	B5
83,30	B5-B11	B5-B11	B5-B11	B5	B5	B5
89,97	B5-B11	B5-B11	B5-B11	B5	B5	B5
100,30	B5-B11	B5-B11	B5-B11	B5	B5	B5
108,34	B5-B11	B5-B11	B5-B11	B5	B5	B5
118,62	B5-B11	B5-B11	B5-B11	B5	B5	B5
128,18	B5-B11	B5-B11	B5-B11	B5	B5	
144,79	B5-B11	B5-B11	B5-B11	B5	B5	B5
155,22	B5-B11	B5-B11	B5-B11	B5	B5	
172,80	B5-B11	B5-B11	B5-B11	B5	B5	
189,19	B5-B11	B5-B11	B5-B11	B5	B5	
207,40	B5-B11	B5-B11	B5-B11	B5	B5	
230,92	B5-B11	B5-B11	B5-B11	B5	B5	
259,60	B5-B11	B5-B11	B5-B11			

SXHC - SXHE 902				
i	160	180	200	225
5,27	B5	B5	B5	B5
6,36	B5	B5	B5	B5
7,04	B5	B5	B5	B5
7,84	B5	B5	B5	B5
9,45	B5	B5	B5	B5
10,47	B5	B5	B5	B5
13,07	B5	B5	B5	B5
15,75	B5	B5	B5	B5
17,45	B5	B5	B5	B5
20,04	B5	B5	B5	B5
24,15	B5	B5	B5	B5
26,76	B5	B5	B5	B5
32,24	B5	B5	B5	B5
38,85	B5	B5	B5	B5
43,05	B5	B5	B5	B5

SXHC - SXHE 903				
i	132	160	180	200
48,35		B5	B5	B5
53,50	B5	B5	B5	B5
59,22	B5	B5	B5	B5
63,00	B5	B5	B5	B5
71,35	B5	B5	B5	B5
79,07	B5	B5	B5	B5
86,40	B5	B5	B5	B5
96,21	B5	B5	B5	B5
104,51	B5	B5	B5	
115,92	B5	B5	B5	B5
128,47	B5	B5	B5	B5
139,55	B5	B5	B5	
154,33	B5	B5	B5	
185,96	B5	B5	B5	
206,08	B5	B5	B5	

2.7 OUTPUT SHAFT BEARINGS

	SXA 141 SXA 202-203		SXA 191 SXA 252-253		SXA 241 SXA 302-303		SXA 281 SXA 302-303	
	Standard		Standard		Standard		Standard	
SXA 1	1		1		1		1	
SXA 2/3	1		1		1		1	

	SXH 191		SXH 241		SXH 281		SXH 381	SXH 481	SXH 551
	Standard	On request	Standard	On request	Standard	On request	Standard	Standard	Standard
SXH 1/M	1	2	1	2	1	2	2	2	2

	SXH 252-253	SXH 302-303	SXH 352-353	SXH 402-403	SXH 502-503	SXH 602-603	SXH 702-703	SXH 902-903
	Standard	Standard	Standard	Standard	Standard	Standard	Standard	Standard
SXH 2/3	2	2	2	2	2	2	2	2

1 - Ball Bearing

2 - Roller bearings

/ - Not available

2.8.1 Information

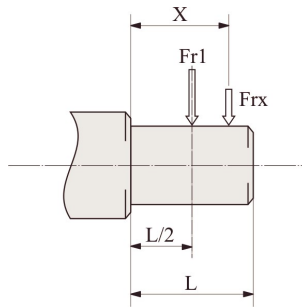
The value of the admissible radial load [N] is given in the tables relating to the performance of the gear reducer at issue. It is related to the load applied on the centre line of the shaft and in the most unfavourable conditions of angle of application and direction of rotation. The maximum admissible axial loads are 1/5 of the value of the given radial load when they are applied in combination with the radial load. The tables relating to the output shafts give the maximum admissible value. This value must never be exceeded since it relates to the strength of the case. Particular conditions of radial load higher than the limits of the catalogue may occur. In this case, call our Technical Service and provide details on the application: direction of the load, direction of rotation of the shaft, type of service. The radial load on the shaft is calculated with the following formula: $Fr_e = (2000 * M * fz) / D \leq Fr1 \text{ or } Fr2$

- **Fre** [N] Resulting radial load
- **M** [Nm] Torque on the shaft
- **D** [mm] Diameter of the transmission member mounted on the shaft
- **Fr1-Fr2** [N] Value of the maximum admitted radial load (see relative tables)
- **fz** = 1,1 gear pinion - 1,4 chain wheel - 1,7 v-pulley - 2,5 flat pulley

2.8.2 Input

When the radial load is not on the centre line of the shaft, it is necessary to adjust the admissible radial load Fr1 with the following formula: $Fr_x = (Fr1 * a) / (b + x)$

- **a**, **b** = values given in the tables
- **x** = distance from the point of application of the load to the shaft shoulder



	SXA	
	202-203-191-252-253-241-303-403	281-302-402
a	84	89
b	64	69
Fr1 max(**)	480	800

	SXH					
	191	241	281	381	481	551
a	105	105	105	137	175	175
b	80	80	80	108	135	135
Fr1 max(**)	1320	1800	2200	2500	3000	3000

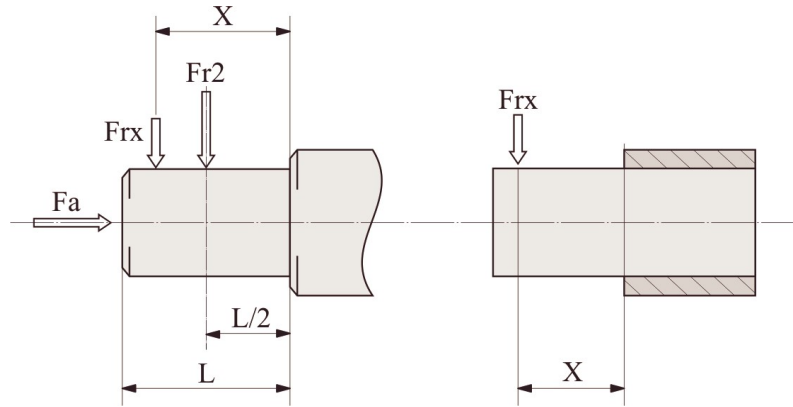
	SXH							
	252/253	302/303	352/353	402/403	502/503	602/603	702/703	902/903
a	105	105	105	137	137	175	175	225
b	80	80	80	108	108	135	135	170
Fr1 max(**)	2200	2200	2500	3600	3600	7200	7200	15000

(**Fr1 max) Max admissible value of the reducer in static conditions and/or for limited operations. For continuous overhung loads please check the values on the performances tables calculated according to the casing, the shaft and bearings.

2.8.3 Output

When the radial load is not on the centre line of the shaft, it is necessary to adjust the admissible radial load Fr2 with the following formula: $Fr_x = (Fr_2 \cdot a) / (b + x)$

- a , b = values given in the tables
- x = distance from the point of application of the load to the shaft shoulder



	SXA							
	141	191	241	281	202-203	252-253	302-303	402-403
a	78,5	81	83	103	105	115	135	155
b	58,5	61	58	73	85	90	105	115
Fr2 max(**)	1100	1100	3000	4500	2000	4300	6000	8000

	SXH					
	191	241	281	381	481	551
a	89	98	115	151	210	232
b	79	73	85	111	155	177
Fr2 max(**)	1000	2500	3700	4000	5000	6000
Fa max (*)	5500	6500	7000	8500	11500	13500

	SXH							
	252/253	302/303	352/353	402/403	502/503	602/603	702/703	902/903
a	120	138	169	195	238	281	331	367
b	96	108	134	155	188	221	261	282
Fr2 max(**)	5500	6600	8000	12000	18000	22000	30000	55000

(**Fr2 max) Max admissible value of the reducer in static conditions and/or for limited operations. For continuous overhung loads please check the values on the performances tables calculated according to the casing, the shaft and bearings.

(* Fa) Max. axial load admissible in only one direction with the use of a thrust bearing (on request).

2.9.1 Information

In cases of ambient temperatures not envisaged in the table, call our Technical Service. In the case of temperatures under -30°C or over 60°C it is necessary to use oil seals with special properties. For operating ranges with temperatures under 0°C it is necessary to consider the following:

1. The motors need to be suitable for operation at the envisaged ambient temperature.
2. The power of the electric motor needs to be adequate for exceeding the higher starting torques required.
3. In case of cast-iron gear reducers, pay attention to impact loads since cast iron may have problems of fragility at temperatures under -15°C.
4. During the early stages of service, problems of lubrication may arise due to the high level of viscosity taken on by the oil and so it is wise to have a few minutes of rotation under no load.

Oil (NON Atex products) must be changed after approx. 10000 hours/2 years of operation; this time varies based on the type of service and on the environment inside which the gear reducer is installed. Units not featuring any oil plug are life-lubricated, and therefore maintenance-free.

2.9.2 Lubricants

Specifications of lubricants recommended by Gear Solutions.
All units are supplied with ENI BLASIA 220 oil, unless otherwise specified by the client.

	SXA 141 ÷ 403 / SXH 252 ÷ 903	
	Mineral oil	
T _{amb} °C ISO/SAE	(-5) ÷ (+40) ISO VG220	(-15) ÷ (+25) ISO VG150
ENI	BLASIA 220	BLASIA 150
SHELL	OMALA S2 G 220	OMALA S2 G 150
KLUBER	Kluberoil GEM 1-220N	Kluberoil GEM 1-150N
MOBIL	MOBILGEAR 600 XP220	MOBILGEAR 600 XP150
CASTROL	ALPHA SP 220	ALPHA SP 150
BP	ENERGOL GR-XP220	ENERGOL GR-XP150

2.9.3 Special lubricants

	T _{amb} °C	Polyglycol synthetic oil
ENI	(-30) ÷ (+30)	Blasia S 150 (ISO VG150)
	(-20) ÷ (+40)	Blasia S 220 (ISO VG220)
MOBIL	(-45) ÷ (+0)	SCH 624 (ISO VG32)
	(-40) ÷ (+5)	SCH 626 (ISO VG68)
KLUBER	(-40) ÷ (+5)	Klubersynth GH 6-32 (ISO VG32)
	(-35) ÷ 10)	Klubersynth GH 6-80 (ISO VG80)
	(-30) ÷ (+40)	Klubersynth GH 6-150 (ISO VG150)
	(-25) ÷ (+40)	Klubersynth GH 6-220 (ISO VG220)
	(-15) ÷ (+50)	Klubersynth GH 6-460 (ISO VG460)
	(-10) ÷ (+70)	Klubersynth GH 6-680 (ISO VG680)
	T _{amb} °C	Polyglycol synthetic oil for food grade
KLUBER	(-30) ÷ (+15)	Klubersynth UH1-6 100 (ISO VG100)
	(-25) ÷ (+40)	Klubersynth UH1-6 220 (ISO VG220)
	(-15) ÷ (+40)	Klubersynth UH1-6 320 (ISO VG320)
	(-15) ÷ (+50)	Klubersynth UH1-6 460 (ISO VG460)
	(-10) ÷ (+50)	Klubersynth UH1-6 680 (ISO VG680)

If 'special' lubricant is required please contact for Technical Assistance.

2.9.4 Quantity

- For the gear reducer SXA series with 2, 3 stages and for the reducers SXH series with 1, 2, 3 stages it is always necessary to specify the envisaged position.
- The gear reducer SXA series with 1, 2, 3 stages all sizes, SXH... series with 1 stage sizes 191, 241, 281 and SXH... series with 2, 3 stages sizes 252/3, 302/3, 352/3 are supplied complete with lubricant, have no oil plugs and need no maintenance.
- The gear reducer SXH... series with 1 stage sizes 381, 481, 551 and SXH... series with 2, 3 stages sizes 402/3, 502/3, 602/3, 702/3, 902/3 are supplied complete with lubricant and are fitted with oil plugs to suit any mounting position included in the catalogue.

Oil quantity in the table (litres -) are indicative; for a proper use you will have to refer to the level plug or the dipstick. Any level difference could depend on construction tolerances, but also by the placement of the unit or by the mounting surface at the customer's premises. It is appropriate to check and, if necessary, restores the level when the units are installed.

SXA	141	191	241	281	202	252	302	402	203	253	303	403
B3-B5												
B8							1,2	1,9			1,9	2,4
B6-B7	0,07	0,23	0,25	0,62	0,68	0,7			1,1	1,16		
V5-V1							1,6	2,1			2,5	3,1
V6-V3												

SXH	191	241	281	381	481	551	191M	241M	281M	381M	481M	551M
B3-B5	0,5	0,7	0,7	1,45	3,5	4,7	0,5	0,5	0,5	1,5	3,5	3,9
B5R	0,5	0,5	0,5	1,5	3,5	3,9	-	-	-	-	-	-
B8	0,5	0,5	0,5	1,5	3,5	3,9	0,5	0,7	0,7	1,45	3,5	4,7
B6-B7	0,5	0,7	0,7	1,5	3,5	4,1	0,5	0,7	0,7	1,5	3,5	4,1
V5-V1	0,5	0,7	0,9	1,5	3,5	4,7	0,5	0,7	0,9	1,5	3,5	4,7
V6-V3	0,5	0,7	0,7	1,5	3,5	4,1	0,5	0,7	0,7	1,5	3,5	4,1

SXH	252/253	302/303	352/353	402/403	502/503	602/603	702/703	902/903
B3-B5	0,8	1,2	1,4	2,4	4,5	8,1	12,5	22,5
B8	0,85	1,2	1,4	3,1	5	8,9	12,5	20
B6-B7	1	1,2	1,8	3	4,6	8,4	12,1	22,5
V5-V1	1,3	1,75	2,15	3,9	7,6	12,7	20,5	30,5
V6-V3	1,2	1,7	2,1	4,4	7,5	14,2	21	38

The following values of J1 moment of inertia are only estimated, referred to the maximum calculated, and to the gearbox input side.

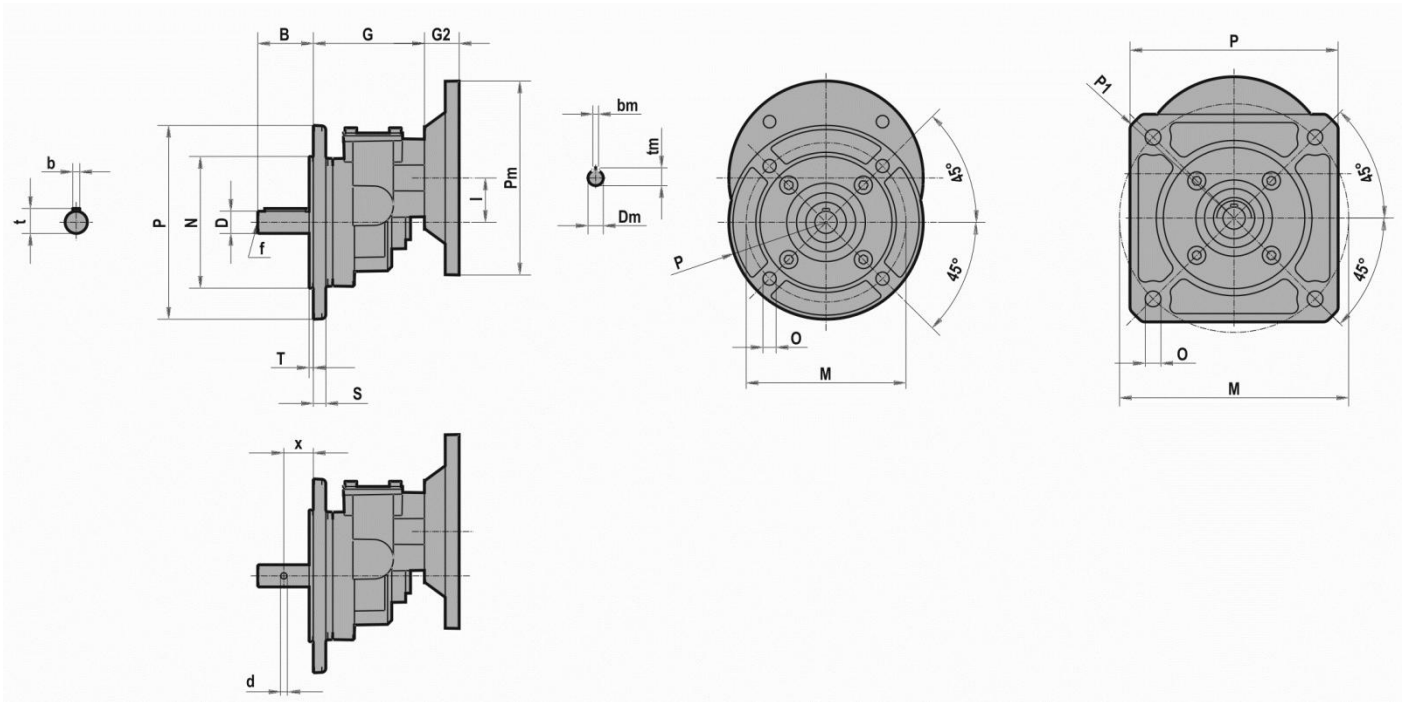
SXA-1	J ₁ [Kg*m ²]
141	0,0001
191	0,0001
241	0,0001
281	0,0004

SXH-1	J ₁ [Kg*m ²]
191	0,0001
241	0,0002
281	0,0005
381	0,0011
481	0,0035
551	0,0076

SXA-2/3	J ₁ [Kg*m ²]
202/203	0,0001
252/253	0,0001
302/303	0,0003
402/403	0,0003

SXH-2/3	J ₁ [Kg*m ²]
252/253	0,0001
302/303	0,0001
352/353	0,0001
402/403	0,0002
502/503	0,0007
602/603	0,0010
702/703	0,0028
902/903	0,0044

3.1.1 SXAC141



	D	B	b	t	x	d	f	G	l
SXAC141	11 j6	23	4	12,5	-	-	-	80	32
	14 j6	30	5	16	-	-	M6		
	16 j6	40	5	18	-	-	M6		
	19 j6	40	6	21,5	-	-	M6		
	16 j6	50	-	-	29	7	-		
	19 0/-0,2	60	-	-	37	6,5	-		
	19,7 +/- 0,05	100	-	-	50	6	M8		
	20 j6	75	-	-	45	6	-		

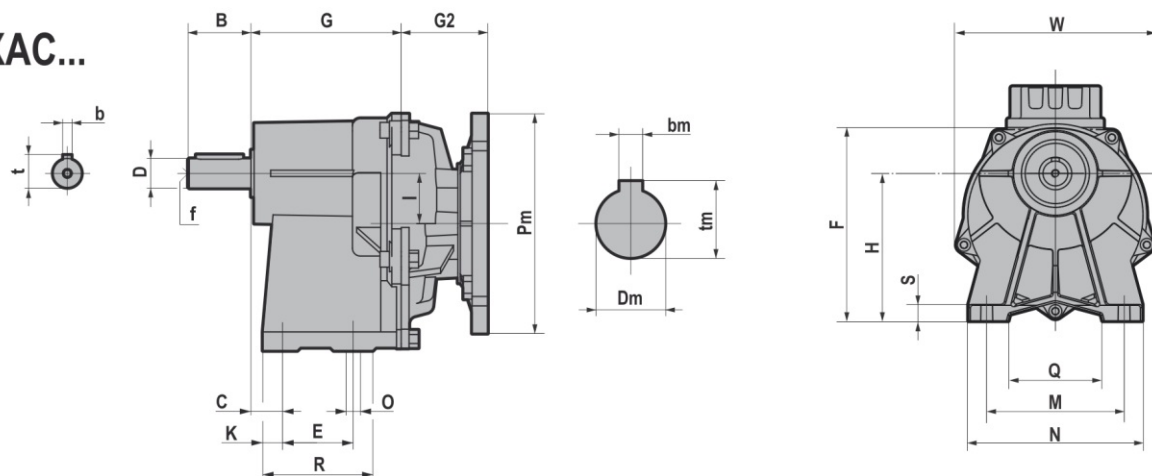
	P	P1	M	N	O	S	T
SXAC141	116	150	127	-	M8	-	-
	138	160	127	-	M8	-	-
	140	-	115	95 f7	9,5	9	3
	150	200	165	-	11	-	-

IEC	Pm x Dm	G2
063	140x11	25
071	160x14	32
080	200x19	42

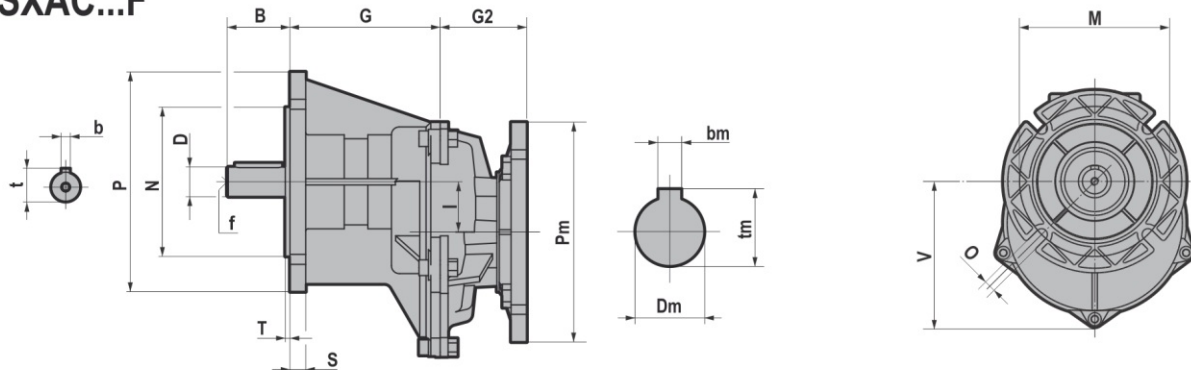
B5	Pm	Dm	bm	tm
063	140	11	4	12,8
071	160	14	5	16,3
080	200	19	6	21,8

3.1.2 SXAC..1

SXAC...



SXAC...F



SXAC.../F	D j6	B	C	E	F	G	H	I	K	M	N	O	Q	R	S	W	b	t	f
191	16	40	20	45	151	95,5	113	32	12,5	105	130	9	75	70	12	152	5	18	M6
	19																6	21,5	M6
241	24	50	6	70	169	104	130	32	15	150	180	11	115	100	12	152	8	27	M8
281	28	60	7,5	70	219,5	129	165	47,5	20	165	200	11	120	110	15	218	8	31	M8
	24	50															8	27	M8

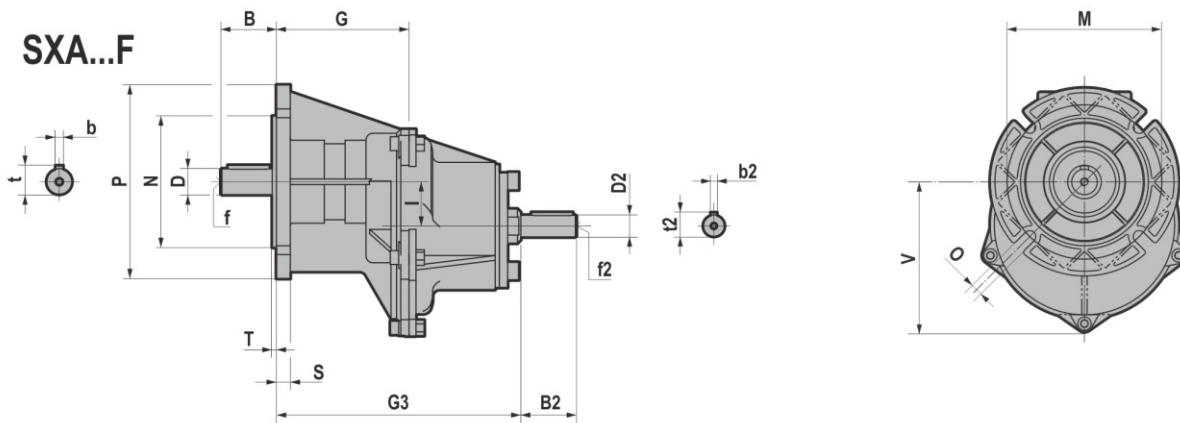
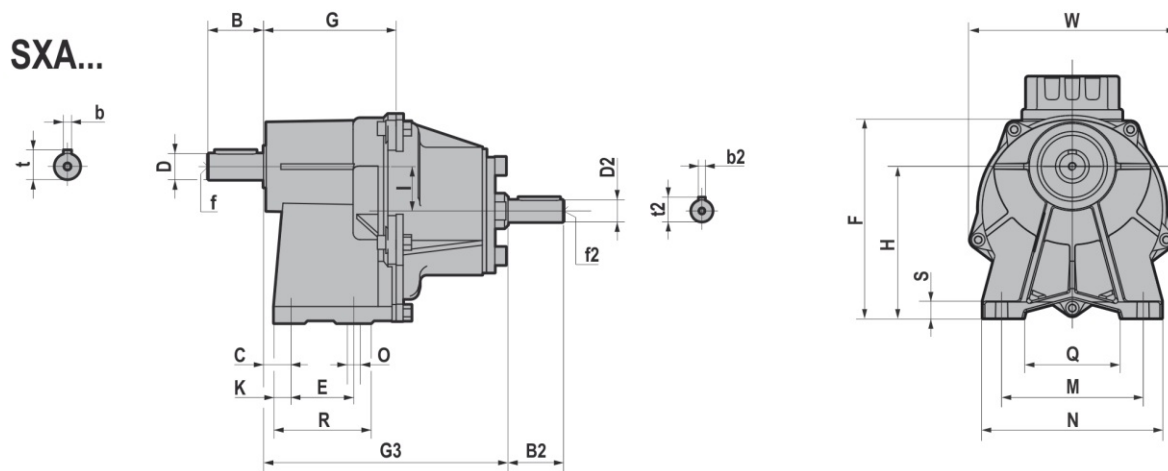
SXAC...F	M	N f8	O	P	S	T	V
191	115	95	9	140	10	3	111,5
241	130	110	9	160	10	3,5	111,5
281	165	130	11	200	15	3,5	161,5

IEC	Pm x Dm	Pm x Dm	G2 SXAC.../F/U	
			191 - 241	281
063	140X11	090x11	55	/
071	160X14	105x14	55	/
080	200X19	120x19	86	87,5
090	200X24	140x24	86	87,5
100-112	250X28	160x28	/	87,5

B5	Pm	Dm	bm	tm
063	140	11	4	12,8
071	160	14	5	16,3
080	200	19	6	21,8
090	200	24	8	27,3
100	250	28	8	31,3
112	250	28	8	31,3

B14	Pm	Dm	bm	tm
071	105	14	5	16,3
080	120	19	6	21,8
090	140	24	8	27,3
100	160	28	8	31,3
112	160	28	8	31,3

3.1.3 SXA..1

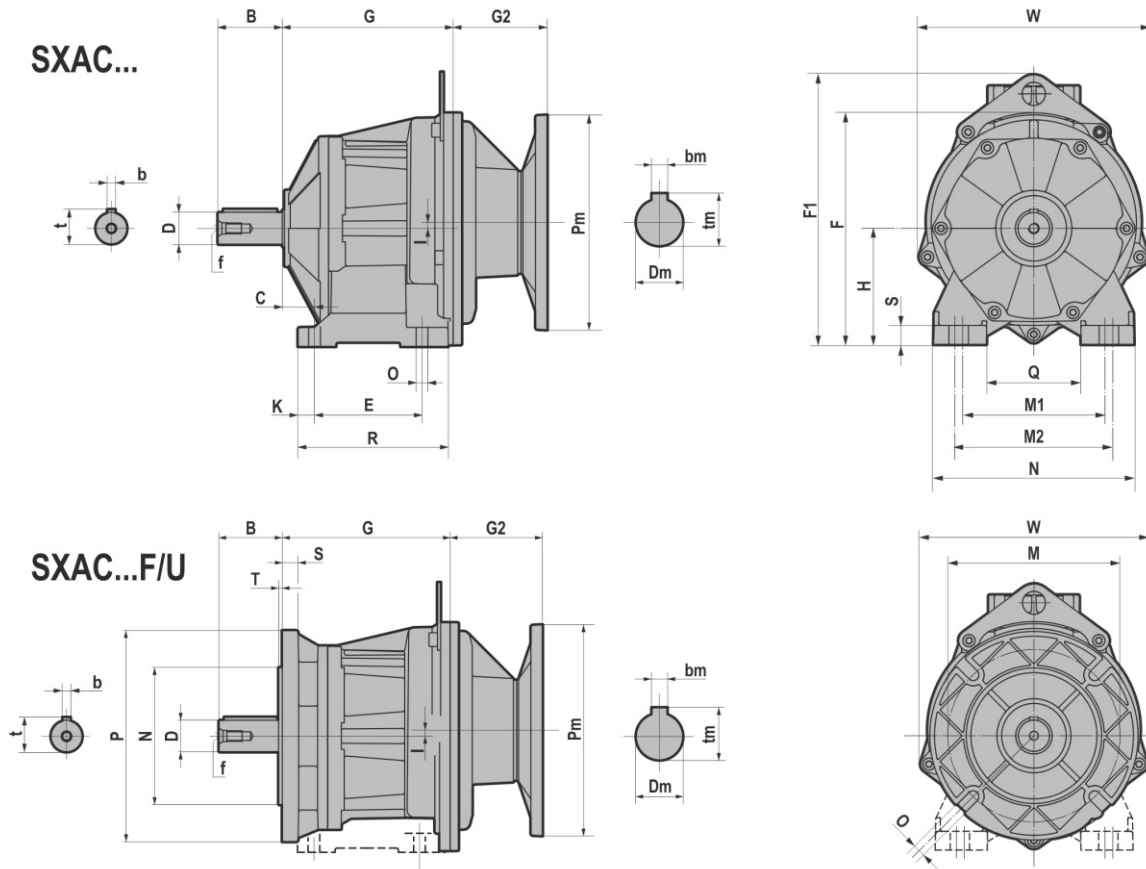


SXA..1/F	D j6	B	C	E	F	G	H	I	K	M	N	O	Q	R	S	W	b	t	f
191	16																5	18	M6
	19	40	20	45	151	95,5	113	32	12,5	105	130	9	75	70	12	152	6	21,5	M6
241	24	50	6	70	169	104	130	32	15	150	180	11	115	100	12	152	8	27	M8
281	28	60		70	219,5	129	165	47,5	20	165	200	11	120	110	15	218	8	31	M8
	24	50	7,5	70	219,5	129	165	47,5	20	165	200	11	120	110	15	218	8	27	M8

SXA..1F	M	N f8	O	P	S	T	V
191	115	95	9	140	10	3	111,5
241	130	110	9	160	10	3,5	111,5
281	165	130	11	200	15	3,5	161,5

SXA..1/F	G3	D2 j6	B2	b2	f2	t2
191	176	16	40	5	M6	18
241	184,5	16	40	5	M6	18
281	209	19	40	6	M6	21,5

3.1.4 SXAC..2



SXAC.../F/U	D j6	B	b	t	f	C	E	F	F1	G	H	I	K	M1	M2	N	O	Q	R	S	W
202	20	40	6	22,5	M6	18	80	155	/	117,5	75	10	13	110	120	145	9	75	111	15	152
	19	40	6	21,5	M6																
	16	40	5	18	M6																
	14	30	5	16	M6																
252	25	50	8	28	M10	25	85	160	/	124,5	80	10	13	110	120	145	9	75	111	15	152
	28	60	8	31	M10																
	24	50	8	27	M8																
	22	50	6	24,5	M8																
	20	40	6	22,5	M6																
302	19	40	6	21,5	M6	30	100	217,5	255,5	159	110	5,5	15,5	135	150	190	11	90	140	18	218
	30	60	8	33	M10																
	35	70	10	38	M12																
	32	60	10	35	M10																
	28	60	8	31	M10																
	25	50	8	28	M10																
402	24	50	8	27	M8	35	110	237,5	275,5	168	120	15,5	20	170	185	230	14	120	150	20	218
	40	80	12	43	M16																
	35 k6	70	10	38	M12																
	30	60	8	33	M10																
	28	60	8	31	M10																

3.1 REDUCERS/GEARED MOTORS

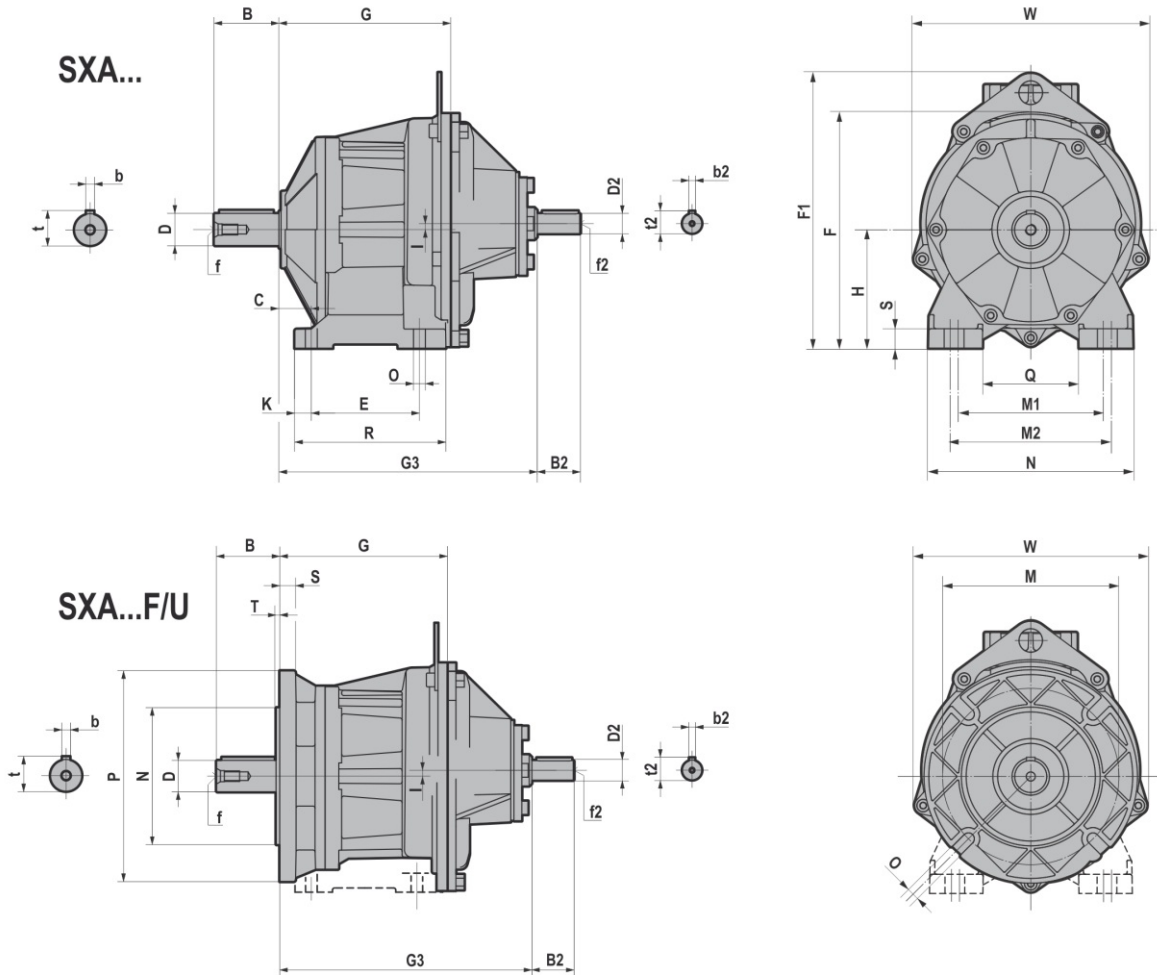
SXAC...F/U	P	M	N f8	O	G	I	S	T	W
202	140	115	95	9	117,5	10	10	3	152
	120	100	80						
252	160	130	110	9	124,5	10	10	3,5	152
	140	115	95						
302	200	165	130	11	159	5,5	15	3,5	218
	160	130	110						
402	250	215	180	14	168	15,5	15	4	218
	200	165	130						

IEC	Pm x Dm	Pm x Dm	G2 SXAC.../F/U	
			202-252	302-402
063	140X11	090x11	55,0	/
071	160X14	105x14	55,0	/
080	200X19	120x19	86,0	87,5
090	200X24	140x24	86,0	87,5
100-112	250X28	160x28	/	87,5

B5	Pm	Dm	bm	tm
063	140	11	4	12,8
071	160	14	5	16,3
080	200	19	6	21,8
090	200	24	8	27,3
100	250	28	8	31,3
112	250	28	8	31,3

B14	Pm	Dm	bm	tm
071	105	14	5	16,3
080	120	19	6	21,8
090	140	24	8	27,3
100	160	28	8	31,3
112	160	28	8	31,3

3.1.5 SXA..2



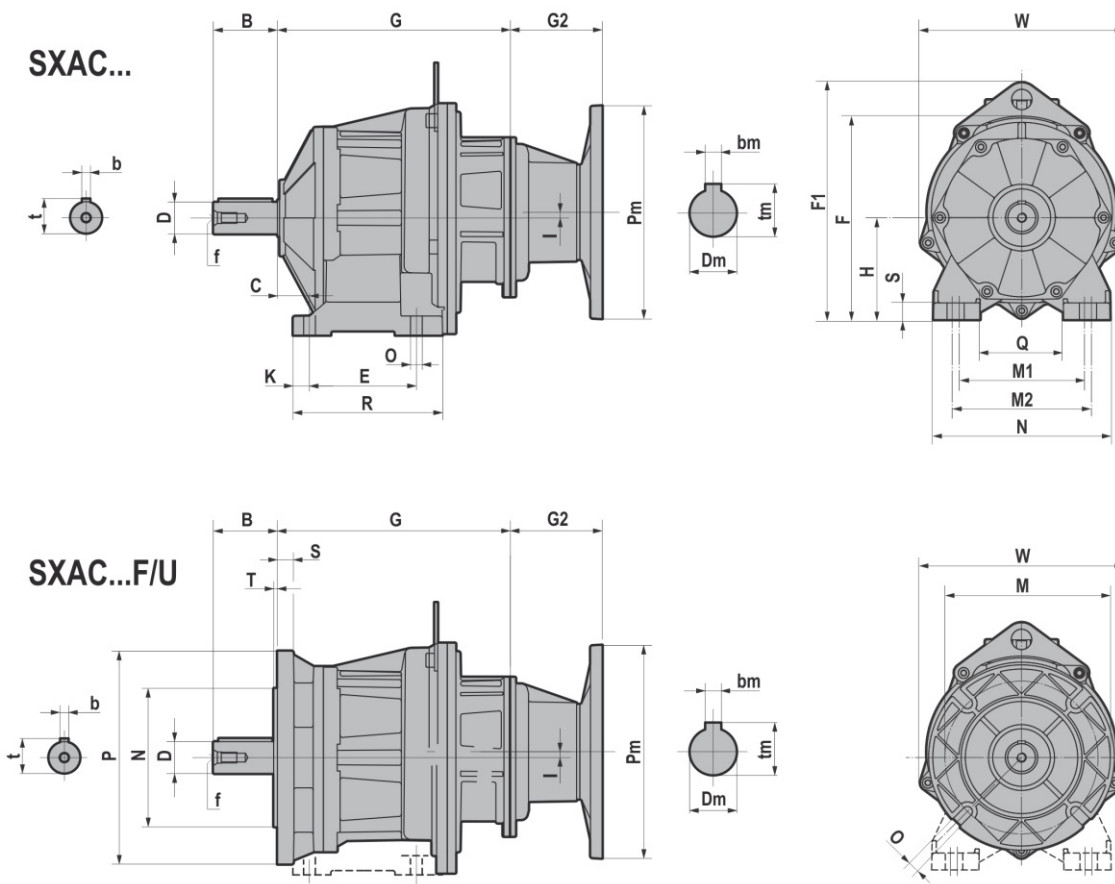
SXA.../F/U	D j6	B	b	t	f	C	E	F	F1	G	H	I	K	M1	M2	N	O	Q	R	S	W
202	20	40	6	22,5	M6	18	80	155	/	117,5	75	10	13	110	120	145	9	75	111	15	152
	19	40	6	21,5	M6																
	16	40	5	18	M6																
	14	30	5	16	M6																
252	25	50	8	28	M10	25	85	160	/	124,5	80	10	13	110	120	145	9	75	111	15	152
	28	60	8	31	M10																
	24	50	8	27	M8																
	22	50	6	24,5	M8																
	20	40	6	22,5	M6																
302	30	60	8	33	M10	30	100	217,5	255,5	159	110	5,5	15,5	135	150	190	11	90	140	18	218
	35	70	10	38	M12																
	32	60	10	35	M10																
	28	60	8	31	M10																
	25	50	8	28	M10																
402	40	80	12	43	M16	35	110	237,5	275,5	168	120	15,5	20	170	185	230	14	120	150	20	218
	35 k6	70	10	38	M12																
	30	60	8	33	M10																
	28	60	8	31	M10																

3.1 REDUCERS/GEARED MOTORS

SXA...F/U	P	M	N f8	O	G	I	S	T	W
202	140	115	95	9	117,5	10	10	3	152
	120	100	80						
252	160	130	110	9	124,5	10	10	3,5	152
	140	115	95						
302	200	165	130	11	159	5,5	15	3,5	218
	160	130	110						
402	250	215	180	14	168	15,5	15	4	218
	200	165	130						

SXA.../F/U	G3	D2 j6	B2	b2	f2	t2
202	198	16	40	5	M6	18
252	205	16	40	5	M6	18
302	239	19	40	6	M6	21,5
402	248	19	40	6	M6	21,5

3.1.6 SXAC..3



SXAC.../F/U	D j6	B	b	t	f	C	E	F	F1	G	H	I	K	M1	M2	N	O	Q	R	S	W
203	20	40	6	22,5	M6	18	80	155	/	117,5	75	10	13	110	120	145	9	75	111	15	152
	19	40	6	21,5	M6																
	16	40	5	18	M6																
	14	30	5	16	M6																
253	25	50	8	28	M10	25	85	160	/	124,5	80	10	13	110	120	145	9	75	111	15	152
	28	60	8	31	M10																
	24	50	8	27	M8																
	22	50	6	24,5	M8																
	20	40	6	22,5	M6																
303	19	40	6	21,5	M6	30	100	217,5	255,5	159	110	5,5	15,5	135	150	190	11	90	140	18	218
	30	60	8	33	M10																
	35	70	10	38	M12																
	32	60	10	35	M10																
	28	60	8	31	M10																
	25	50	8	28	M10																
403	24	50	8	27	M8	35	110	237,5	275,5	168	120	15,5	20	170	185	230	14	120	150	20	218
	40	80	12	43	M16																
	35 k6	70	10	38	M12																
	30	60	8	33	M10																
	28	60	8	31	M10																

3.1 REDUCERS/GEARED MOTORS

SXAC...F/U	P	M	N f8	O	G	I	S	T	W
203	140	115	95	9	117,5	10	10	3	152
	120	100	80						
253	160	130	110	9	124,5	10	10	3,5	152
	140	115	95						
303	200	165	130	11	159	5,5	15	3,5	218
	160	130	110						
403	250	215	180	14	168	15,5	15	4	218
	200	165	130						

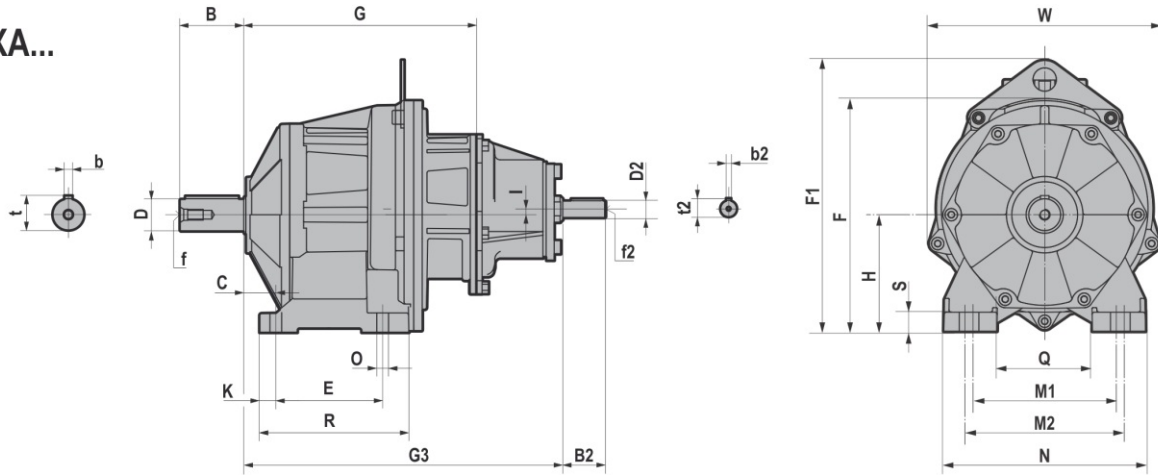
IEC	Pm x Dm	Pm x Dm	G2 SXAC.../F/U
			203 - 253 - 303 - 403
063	140X11	090x11	55
071	160X14	105x14	55
080	200X19	120x19	86
090	200X24	140x24	86

B5	Pm	Dm	bm	tm
063	140	11	4	12,8
071	160	14	5	16,3
080	200	19	6	21,8
090	200	24	8	27,3

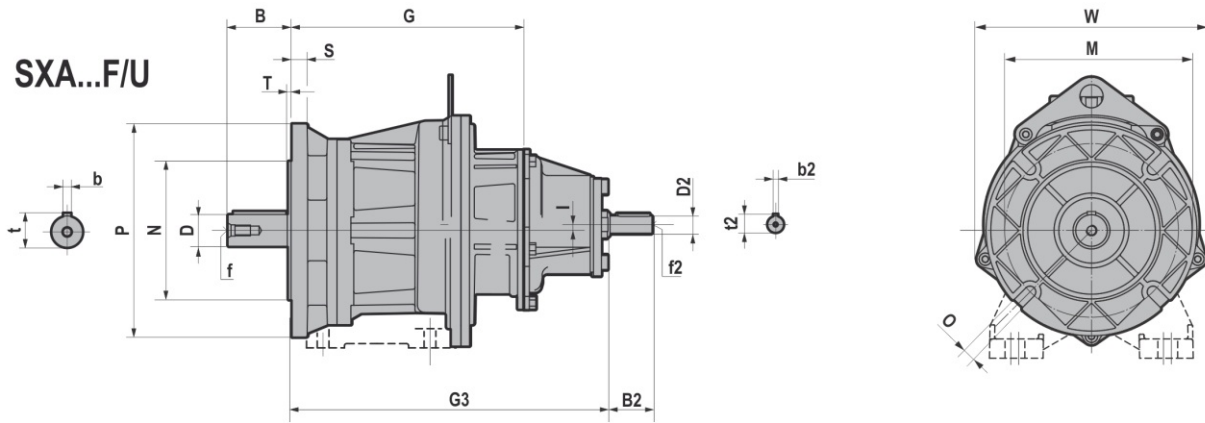
B14	Pm	Dm	bm	tm
071	105	14	5	16,3
080	120	19	6	21,8
090	140	24	8	27,3

3.1.7 SXA..3

SXA...



SXA...F/U



SXA.../F/U	D j6	B	b	t	f	C	E	F	F1	G	H	I	K	M1	M2	N	O	Q	R	S	W
203	20	40	6	22,5	M6	18	80	155	/	117,5	75	10	13	110	120	145	9	75	111	15	152
	19	40	6	21,5	M6																
	16	40	5	18	M6																
	14	30	5	16	M6																
253	25	50	8	28	M10	25	85	160	/	124,5	80	10	13	110	120	145	9	75	111	15	152
	28	60	8	31	M10																
	24	50	8	27	M8																
	22	50	6	24,5	M8																
	20	40	6	22,5	M6																
303	30	60	8	33	M10	30	100	217,5	255,5	159	110	5,5	15,5	135	150	190	11	90	140	18	218
	35	70	10	38	M12																
	32	60	10	35	M10																
	28	60	8	31	M10																
	25	50	8	28	M10																
	24	50	8	27	M8																
403	40	80	12	43	M16	35	110	237,5	275,5	168	120	15,5	20	170	185	230	14	120	150	20	218
	35 k6	70	10	38	M12																
	30	60	8	33	M10																
	28	60	8	31	M10																

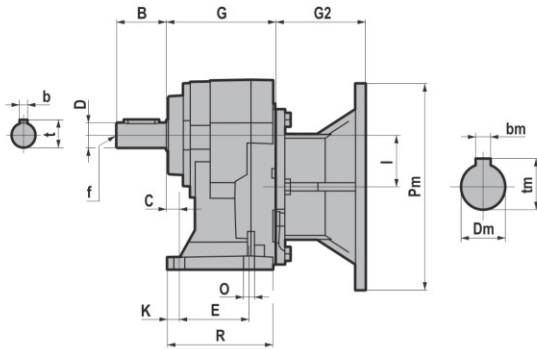
3.1 REDUCERS/GEARED MOTORS

SXA...F/U	P	M	N f8	O	G	I	S	T	W
203	140	115	95	9	117,5	10	10	3	152
	120	100	80						
253	160	130	110	9	124,5	10	10	3,5	152
	140	115	95						
303	200	165	130	11	159	5,5	15	3,5	218
	160	130	110						
403	250	215	180	14	168	15,5	15	4	218
	200	165	130						

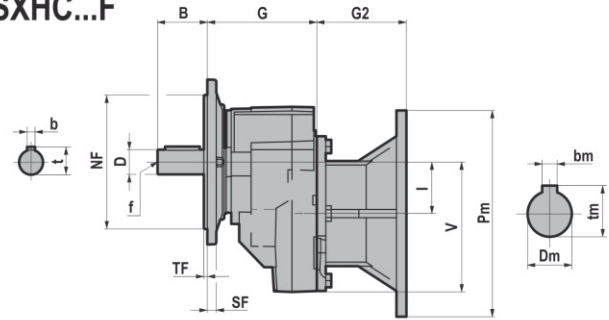
SXA.../F/U	G3	D2 j6	B2	b2	f2	t2
203	251	16	40	5	M6	18
253	258	16	40	5	M6	18
303	299	16	40	5	M6	18
403	308	16	40	5	M6	18

3.1.8 SXHC..1

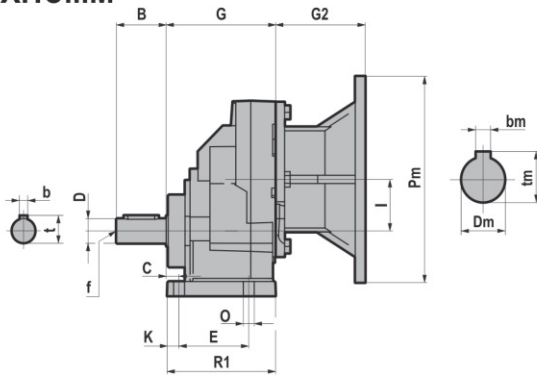
SXHC...



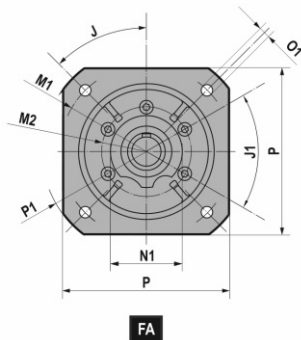
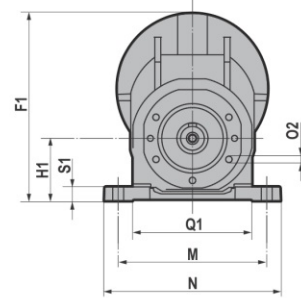
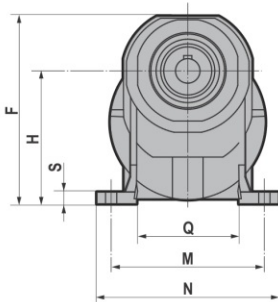
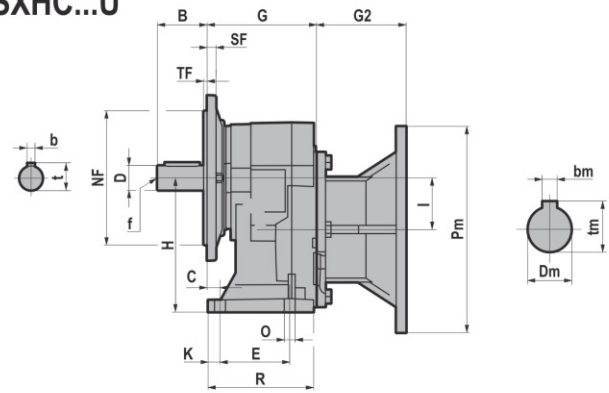
SXHC...F



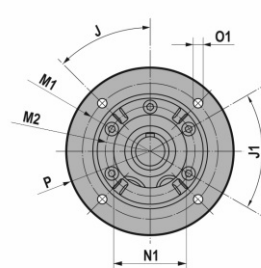
SXHC...M



SXHC...U



FA



FB

FC

FD

3.1 REDUCERS/GEARED MOTORS

SXHC.../F/U/M	D	B	C	E	F	F1	G	H	H1	I	K	M	N	O	O2	Q	Q1	R	R1	S	S1	-V	b	t	f
191	19 j6	40	13	45	168,5	168	100	120	50	42	12	105	130 125 (041M)	9	M8x17 (n.5)	74	55	86,5	98	9,5	8	118	6	21,5	M6
241	24 j6	50	13	70	183,5	189	110	130	63	50	12	150	178	11	M8x17 (n.5)	100	121,5	106	109	11,5	14	126	8	27	M8
281	28 j6	60	16	70	231	216	125	165	80	60	14	165	195	11	M8x17 (n.5)	110	135,5	120	123	15	16	136	8	31	M10
381	38 k6	80	25	85	277	284	135	195	100	80	23	185	230 232 (081M)	14	M10x20 (n.7)	123	151	130	135	15	20	184	10	41	M12
481	48 k6	110	19	130	355	377	180	252	125	100	17	240	295	18	M10x20 (n.6)	162	185,5	173	178	16	22	251,5	14	51,5	M16
551	55 m6	110	25	150	422	426,5	210	300	160	115	22	280	340	18	M12x25 (n.7)	183	224	202	207	19	25	266,5	16	59	M20

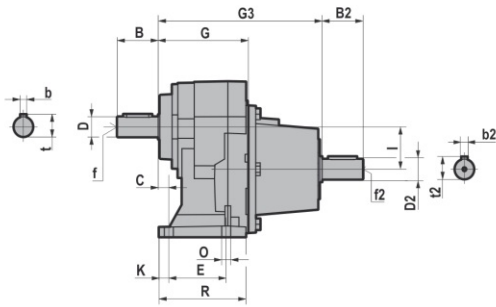
SXHC.../F/U		J	J1	M1	M2	NF f8	N1	O1	P	P1	SF	TF
191 241	FA	45	45	Ø165	Ø85	130	70	11	160	Ø200	9	3,5
	FB			Ø130	Ø85	110		9	Ø160	/	9	3,5
	FC			Ø115	Ø85	95		9	Ø140	/	9	3
	FD			Ø100	Ø85	80		M8	Ø120	/	9	3
281	FA	45	45	Ø215	Ø105	180	90	14	200	Ø250	12	4
	FB			Ø165	Ø105	130		11	Ø200	/	12	3,5
381 481	FA	45	45	Ø265	Ø130	230	110	14	250	Ø300	15	4
	FB			Ø215	Ø130	180		14	Ø250	/	15	4
	FC			Ø165	Ø130	130		11	Ø200	/	15	3,5
551	FA	45	45	Ø300	Ø165	250	130	18	300	Ø350	16	5
	FB			Ø265	Ø165	230		14	Ø300	/	16	4
	FC			Ø215	Ø165	180		14	Ø250	/	16	4

IEC	Pm x Dm	G2 SXHC.../F/U/M					
		191	241	281	381	481	551
071	160x14	69,0	69,0	/	/	/	/
080	200x19	90,0	90,0	90,0	70,0	/	/
090	200x24	90,0	90,0	90,0	70,0	/	/
100-112	250x28	/	105,0	105,0	85,0	75,5	/
132	300x38	/	/	/	110,0	100,5	100,5
160	350x42	/	/	/	/	148,0	148,0
180	350x48	/	/	/	/	148,0	148,0
200	400x55	/	/	/	/	/	185,0

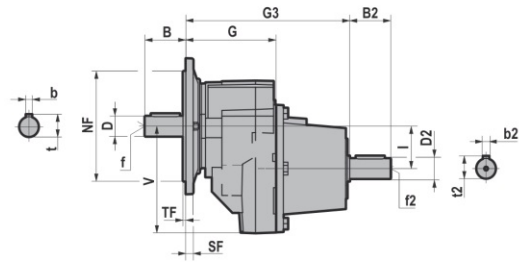
B5	Pm	Dm	bm	tm
071	160	14	5	16,3
080	200	19	6	21,8
090	200	24	8	27,3
100	250	28	8	31,3
112	250	28	8	31,3
132	300	38	10	41,3
160	350	42	12	45,3
180	350	48	14	51,8
200	400	55	16	59,3

3.1.9 SXH..1

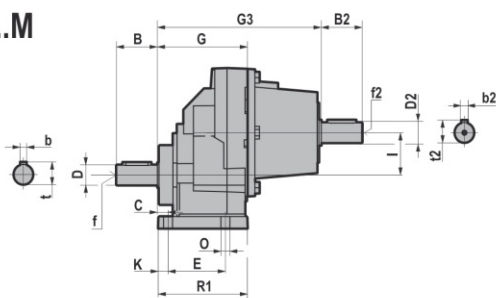
SXH...



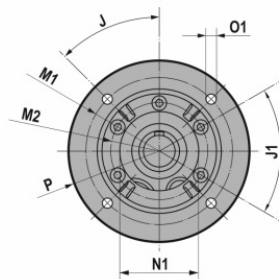
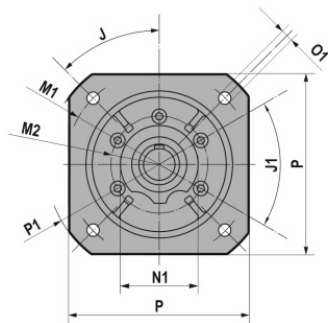
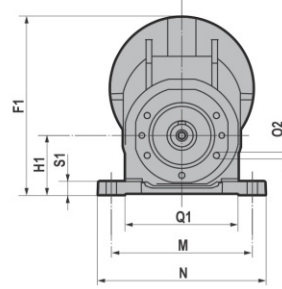
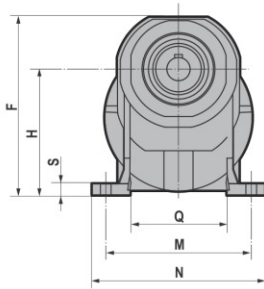
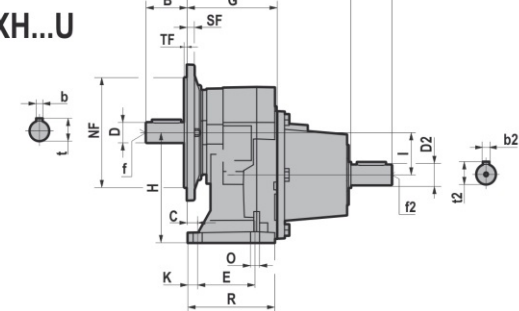
SXH...F



SXH...M



SXH...U



FA

FB

FC

FD

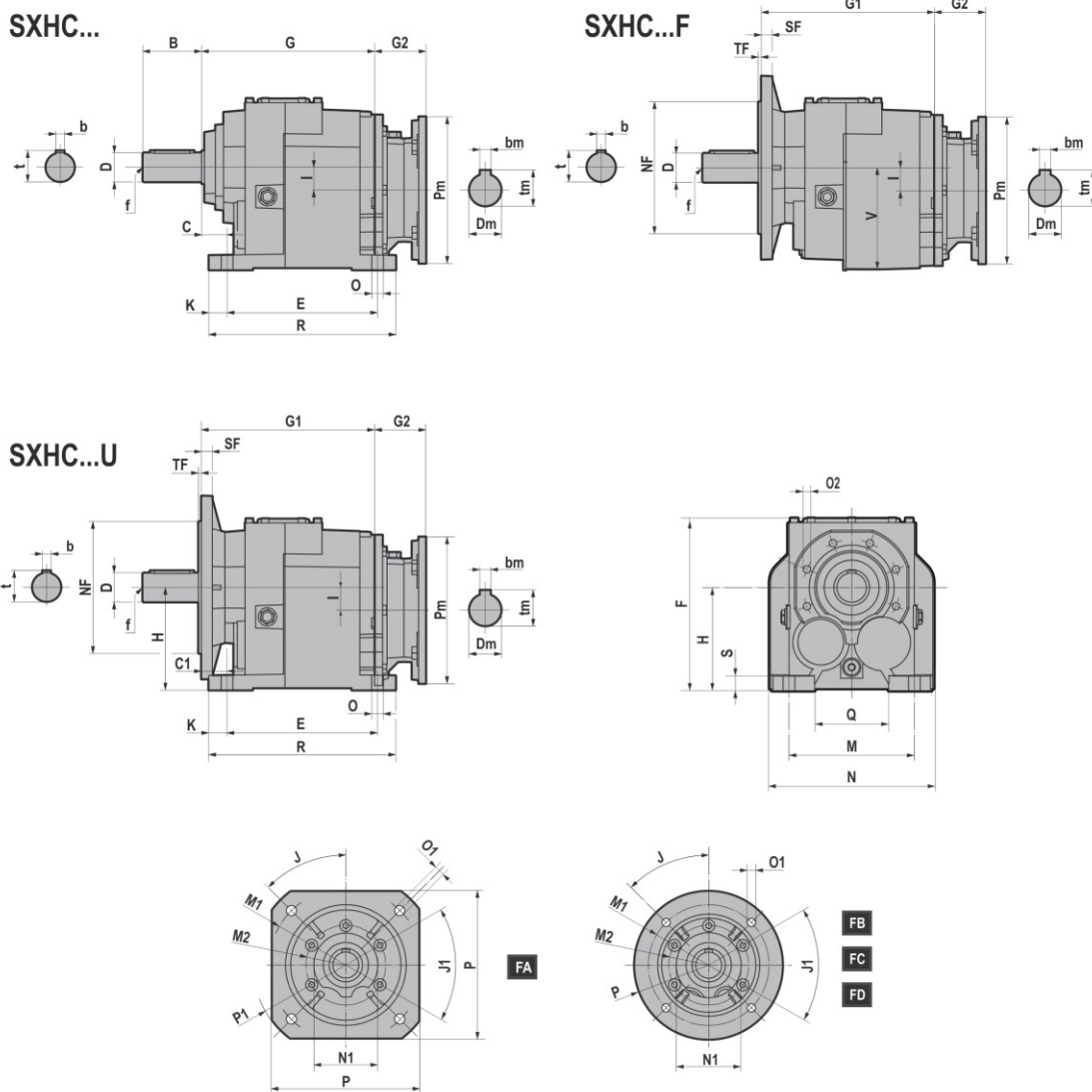
3.1 REDUCERS/GEARED MOTORS

SXH.../F/U/M	D	B	C	E	F	F1	G	H	H1	I	K	M	N	O	O2	Q	Q1	R	R1	S	S1	-V	b	t	f
191	19 j6	40	13	45	168,5	168	100	120	50	42	12	105	130 125 (041M)	9	M8x17 (n.5)	74	55	86,5	98	9,5	8	118	6	21,5	M6
241	24 j6	50	13	70	183,5	189	110	130	63	50	12	150	178	11	M8x17 (n.5)	100	121,5	106	109	11,5	14	126	8	27	M8
281	28 j6	60	16	70	231	216	125	165	80	60	14	165	195	11	M8x17 (n.5)	110	135,5	120	123	15	16	136	8	31	M10
381	38 k6	80	25	85	277	284	135	195	100	80	23	185	230 232 (081M)	14	M10x20 (n.7)	123	151	130	135	15	20	184	10	41	M12
481	48 k6	110	19	130	355	377	180	252	125	100	17	240	295	18	M10x20 (n.6)	162	185,5	173	178	16	22	251,5	14	51,5	M16
551	55 m6	110	25	150	422	426,5	210	300	160	115	22	280	340	18	M12x25 (n.7)	183	224	202	207	19	25	266,5	16	59	M20

SXH.../F/U		J	J1	M1	M2	NF f8	N1	O1	P	P1	SF	TF
191 241	FA	45	45	Ø165	Ø85	130	70	11	160	Ø200	9	3,5
	FB			Ø130	Ø85	110		9	Ø160	/	9	3,5
	FC			Ø115	Ø85	95		9	Ø140	/	9	3
	FD			Ø100	Ø85	80		M8	Ø120	/	9	3
281	FA	45	45	Ø215	Ø105	180	90	14	200	Ø250	12	4
	FB			Ø165	Ø105	130		11	Ø200	/	12	3,5
381 481	FA	45	45	Ø265	Ø130	230	110	14	250	Ø300	15	4
	FB			Ø215	Ø130	180		14	Ø250	/	15	4
	FC			Ø165	Ø130	130		11	Ø200	/	15	3,5
551	FA	45	45	Ø300	Ø165	250	130	18	300	Ø350	16	5
	FB			Ø265	Ø165	230		14	Ø300	/	16	4
	FC			Ø 215	Ø165	180		14	Ø250	/	16	4

SXH.../F/U/M	G3	B2	D2	b2	t2	f2
191	190	40	16 j6	5	18	M6
241	200	50	24 j6	8	27	M8
281	215	50	24 j6	8	27	M8
381	248	60	28 j6	8	31	M10
481	306,5	80	38 k6	10	41	M12
551	336,5	80	38 k6	10	41	M12

3.1.10 SXHC..2/3



XHC.../F/U	D	B	b	t	f	C	C1	E	F	G	G1	H	I	K	M	N	O	O2	Q	R	S	-V
252/253	25 j6	50	8	28	M10	25	34	130	169	141	150	90	9,2	15	110	140	11	M8x17 (n.5)	60	160	15	92
	24 j6	50	8	27	M8																	
302/303	30 j6	60	8	33	M10	30	30	165	189	152	152	115	18	15	135	170	14	M8x17 (n.5)	85	195	15	115
	28 j6	60	8	31	M10																	
352/353	35 k6	70	10	38	M12	30	30	165	192	187	187	115	25,5	18	135	185	14	M8x17 (n.5)	80	201	18	116
	38 k6	75	10	41	M12																	
402/403	40 k6	80	12	43	M16	35	35	205	234	236	236	140	31	25	170	220	16	M10x20 (n.6)	100	255	20	140
	35 k6	70	10	38	M12																	
502/503	50 k6	100	14	53,5	M16	40	40	260	292	272,5	272,5	180	31	27,5	215	280	18	M12x25 (n.7)	140	315	25	180
	40 k6	80	12	43	M16																	
	48 k6	110	14	51,5	M16																	
	55 m6	110	16	59	M20																	
602/603	60 m6	120	18	64	M20	40	40	310	364	316	316	225	35,5	27,5	250	330	22	M14x28 (n.7)	159	365	30	227
702/703	70 m6	140	20	74,5	M20	45	45	370	408	376,5	376,5	250	47,5	35	290	406	26	M14x30 (n.7)	185,5	440	35	253
	80 m6	170	22	85	M20																	
902/903	90 m6	170	25	95	M20	50	50	410	498	430	430	315	45	40	340	450	26	M16x32 (n.7)	230	490	35	320
	100 m6	210	28	106	M20																	

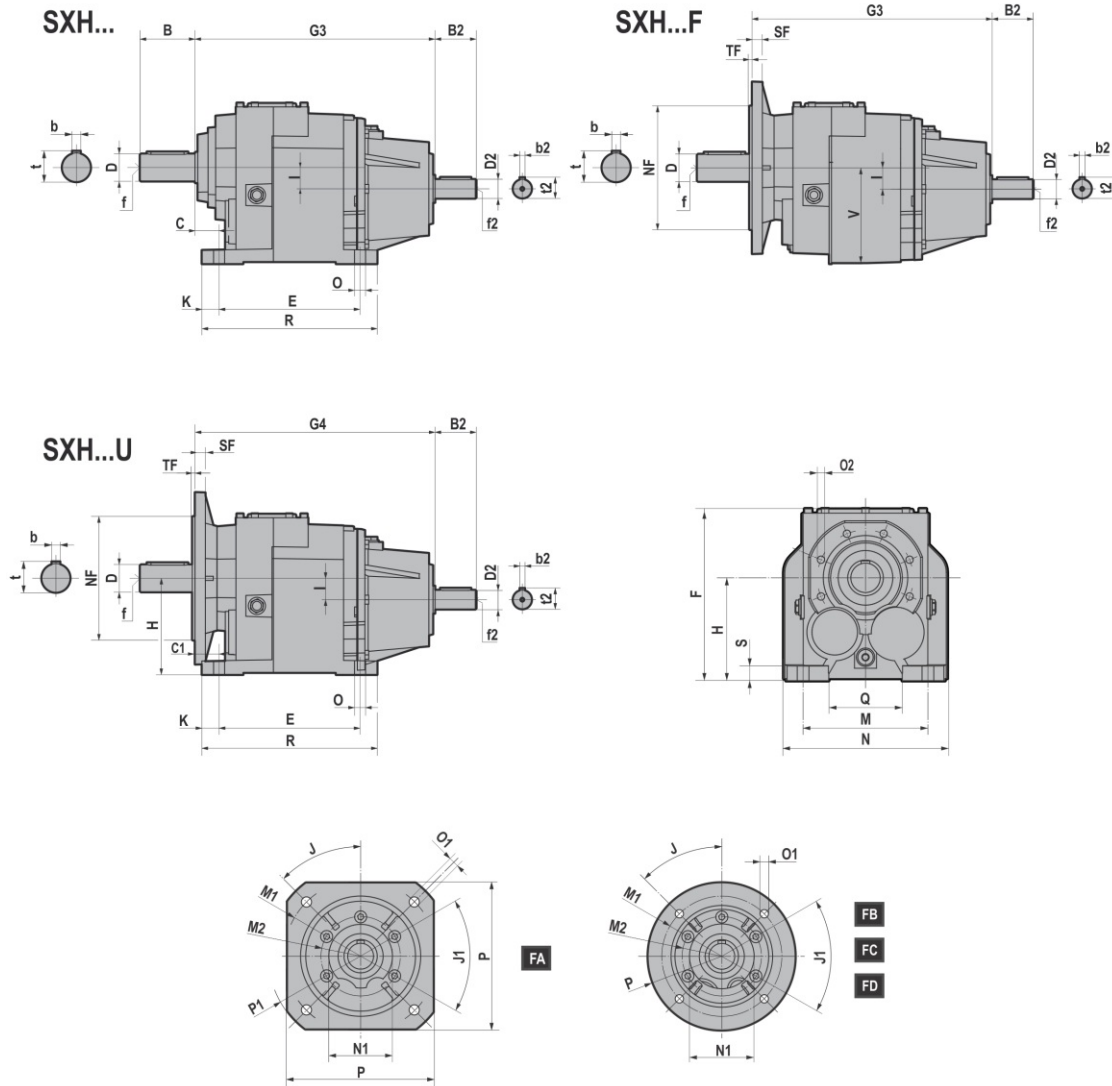
3.1 REDUCERS/GEARED MOTORS

SXHC...F/U		J	J1	M1	M2	NF f8	N1	O1	P	P1	SF	TF
252/253 302/303	FA	45	45	Ø165	Ø85	130	70	11	160	Ø200	9	3,5
	FB			Ø130	Ø85	110		9	Ø160	/	9	3,5
	FC			Ø115	Ø85	95		9	Ø140	/	9	3
	FD			Ø100	Ø85	80		M8	Ø120	/	9	3
352/353	FA	45	45	Ø215	Ø105	180	90	14	200	Ø250	12	4
	FB			Ø165	Ø105	130		11	Ø200	/	12	3,5
402/403	FA	45	45	Ø265	Ø130	230	110	14	250	Ø300	15	4
	FB			Ø215	Ø130	180		14	Ø250	/	15	4
	FC			Ø165	Ø130	130		11	Ø200	/	15	3,5
502/503	FA	45	45	Ø300	Ø165	250	130	18	300	Ø350	16	5
	FB			Ø265	Ø165	230		14	Ø300	/	16	4
	FC			Ø215	Ø165	180		14	Ø250	/	16	4
602/603	FA	45	45	Ø350	Ø185	300	150	18	350	Ø400	18	5
	FB			Ø300	Ø185	250		18	Ø350	/	18	5
	FC			Ø265	Ø185	230		14	Ø300	/	18	4
702/703	FB	45	45	Ø350	Ø200	300	170	18	Ø400	/	18	5
902/903	FB	22,5	45	Ø400	Ø245	350	210	18	Ø450	/	25	5
	FC	45		Ø350	Ø245	300		18	Ø400	/	25	5

		G2 SXHC...F/U			
IEC	Pm x Dm	252/253 302/303 352/353	402/403 502/503	602/603 702/703	902/903
063	140x11	57,0	/	/	/
071	160x14	69,0	49,0	/	/
080	200x19	90,0	70,0	60,5	/
090	200x24	90,0	70,0	60,5	/
100-112	250x28	105,0	85,0	75,5	/
132	300x38	/	110,0	100,5	76,0
160	350x42	/	157,5	148,0	123,5
180	350x48	/	157,5	148,0	123,5
200	400x55	/	/	185,0	160,5
225	450x60	/	/	/	160,5

B5	Pm	Dm	bm	tm
063	140	11	4	12,8
071	160	14	5	16,3
080	200	19	6	21,8
090	200	24	8	27,3
100	250	28	8	31,3
112	250	28	8	31,3
132	300	38	10	41,3
160	350	42	12	45,3
180	350	48	14	51,8
200	400	55	16	59,3
225	450	60	18	64,4

3.1.11 SXH..2/3



SXH.../F/U	D	B	b	t	f	C	C1	E	F	G	G1	H	I	K	M	N	O	O2	Q	R	S	-V
252/253	25 j6	50	8	28	M10	25	34	130	169	141	150	90	9,2	15	110	140	11	M8x17 (n.5)	60	160	15	92
	24 j6	50	8	27	M8																	
302/303	30 j6	60	8	33	M10	30	30	165	189	152	152	115	18	15	135	170	14	M8x17 (n.5)	85	195	15	115
	28 j6	60	8	31	M10																	
352/353	35 k6	70	10	38	M12	30	30	165	192	187	187	115	25,5	18	135	185	14	M8x17 (n.5)	80	201	18	116
	38 k6	75	10	41	M12																	
402/403	40 k6	80	12	43	M16	35	35	205	234	236	236	140	31	25	170	220	16	M10x20 (n.6)	100	255	20	140
	35 k6	70	10	38	M12																	
502/503	50 k6	100	14	53,5	M16																	
	40 k6	80	12	43	M16	40	40	260	292	272,5	272,5	180	31	27,5	215	280	18	M12x25 (n.7)	140	315	25	180
	48 k6	110	14	51,5	M16																	
	55 m6	110	16	59	M20																	
602/603	60 m6	120	18	64	M20	40	40	310	364	316	316	225	35,5	27,5	250	330	22	M14x28 (n.7)	159	365	30	227
702/703	70 m6	140	20	74,5	M20	45	45	370	408	376,5	376,5	250	47,5	35	290	406	26	M14x30 (n.7)	185,5	440	35	253
	80 m6	170	22	85	M20																	
902/903	90 m6	170	25	95	M20	50	50	410	498	430	430	315	45	40	340	450	26	M16x32 (n.7)	230	490	35	320
	100 m6	210	28	106	M20																	

SXH...F/U		J	J1	M1	M2	NF f8	N1	O1	P	P1	SF	TF
252/253 302/303	FA	45	45	Ø165	Ø85	130	70	11	160	Ø200	9	3,5
	FB			Ø130	Ø85	110		9	Ø160	/	9	3,5
	FC			Ø115	Ø85	95		9	Ø140	/	9	3
	FD			Ø100	Ø85	80		M8	Ø120	/	9	3
352/353	FA	45	45	Ø215	Ø105	180	90	14	200	Ø250	12	4
	FB			Ø165	Ø105	130		11	Ø200	/	12	3,5
402/403	FA	45	45	Ø265	Ø130	230	110	14	250	Ø300	15	4
	FB			Ø215	Ø130	180		14	Ø250	/	15	4
	FC			Ø165	Ø130	130		11	Ø200	/	15	3,5
502/503	FA	45	45	Ø300	Ø165	250	130	18	300	Ø350	16	5
	FB			Ø265	Ø165	230		14	Ø300	/	16	4
	FC			Ø215	Ø165	180		14	Ø250	/	16	4
602/603	FA	45	45	Ø350	Ø185	300	150	18	350	Ø400	18	5
	FB			Ø300	Ø185	250		18	Ø350	/	18	5
	FC			Ø265	Ø185	230		14	Ø300	/	18	4
702/703	FB	45	45	Ø350	Ø200	300	170	18	Ø400	/	18	5
902/903	FB	22,5	45	Ø400	Ø245	350	210	18	Ø450	/	25	5
	FC	45		Ø350	Ø245	300		18	Ø400	/	25	5

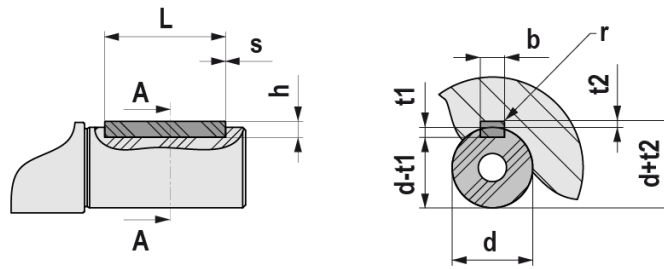
SXH.../F/U	G3	G4	B2	D2	b2	t2	f2
252/253	231	240	50	24 j6	8	27	M8
302/303	242	242	50	24 j6	8	27	M8
352/353	277	277	50	24 j6	8	27	M8
402/403	349	349	60	28 j6	8	31	M10
502/503	385,5	385,5	60	28 j6	8	31	M10
602/603	442,5	442,5	80	38 k6	10	41	M12
702/703	503	503	80	38 k6	10	41	M12
902/903	570	570	110	42 k6	12	45	M16

3.2 WEIGHT

The values reported in the tables are referred to the weight of the gearbox with lubricant excluded.
 *Weight without motor

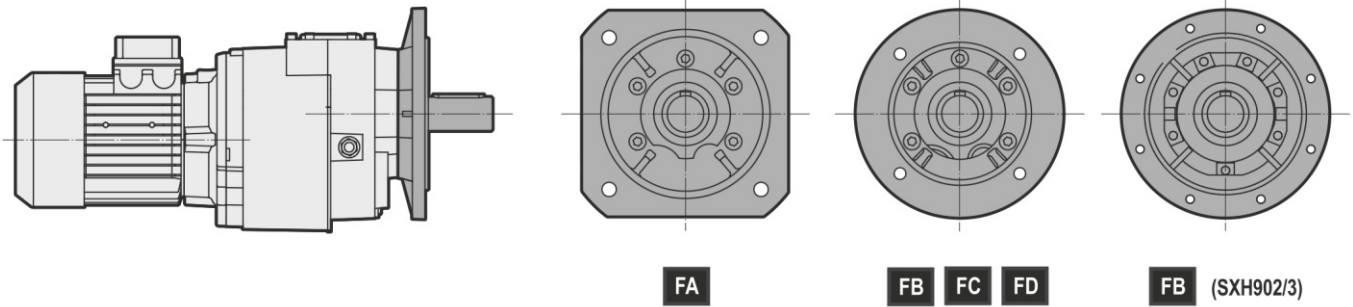
*SXAC-SXHC-SXHE	063	071	080-090	100-112	132	160-180	200	225		SXA-SXH	- kg	
141	1,9	2,0	2,2	/	/	/	/	/	~ kg	202	4,3	
202	4,2	4,3	4,6	/	/	/	/	/		203	5,0	
203	4,0	4,1	5,2	/	/	/	/	/		191	3,3	
191	3,1	3,2	3,5	/	/	/	/	/		252	5,2	
252	5,2	5,3	5,5	/	/	/	/	/		253	5,8	
253	5,8	5,9	6,1	/	/	/	/	/		241	4,2	
241	4,2	4,3	4,5	/	/	/	/	/		302	9,4	
302	/	/	9,5	13,0	/	/	/	/		303	9,9	
303	9,9	10,0	10,2	/	/	/	/	/		281	6,5	
281	/	/	6,6	7,0	/	/	/	/		402	11,2	
402	/	/	11,3	14,8	/	/	/	/		403	12,9	
403	12,5	12,6	13,2	/	/	/	/	/		252-253	11,5	
252-253	8,4	8,8	9,4	13,7	/	/	/	/		302-303	14,0	
302-303	10,9	11,3	11,9	16,2	/	/	/	/		191	7,5	
191	/	4,8	5,4	/	/	/	/	/		352-353	19,1	
352-353	16,0	16,4	17,0	21,3	/	/	/	/		241	9,4	
241	/	6,7	7,3	11,6	/	/	/	/		402-403	33,1	
402-403	/	27,0	29,1	31,2	33,9	/	/	/		281	11,4	
281	/	/	9,3	13,6	/	/	/	/		502-503	53,1	
502-503	/	/	49,1	51,2	53,2	60,5	/	/		381	23,2	
381	/	/	19,3	21,3	23,9	/	/	/		602-603	87,5	
602-603	/	/	77,6	79,9	82,7	88,7	/	/		481	40,3	
481	/	/	/	32,7	35,5	41,5	/	/		R121	41,6	
551	/	/	/	/	36,8	42,8	57,8	/		702-703	117,1	
702-703	/	/	/	109,5	112,3	118,3	133,3	/		902-903	192,1	
902-903	/	/	/	/	177,0	184,9	199,1	200,9				

3.3 END SHAFT



UNI 6604 - DIN 6885														
d		b x h			Tol. b/h	L		$\frac{s}{\text{min / max}}$	b	t1	t2	Tol. t1/t2	r max	
	6	8	2	x	2	h9 / h9	6	20	0,16 0,25	2	1,2	0,1 0	0,08 0,16	
>	8	10	3	x	3		6	36		3	1,8			1,4
>	10	12	4	x	4		8	45		4	2,5			1,8
>	12	17	5	x	5		10	56	5	3	2,3		0,16 0,25	
>	17	22	6	x	6		14	70	6	3	2,8			
>	22	30	8	x	7		18	90	8	4	3,3			
>	30	38	10	x	8	22	110	10	5	3,3	0,25 0,4			
>	38	44	12	x	8	28	140	12	5	3,3				
>	44	50	14	x	9	36	160	14	5,5	3,8				
>	50	58	16	x	10	45	180	16	6	4,3		0,25 0,4		
>	58	65	18	x	11	50	200	18	7	4,4				
>	65	75	20	x	12	56	110	20	7,5	4,9				
>	75	85	22	x	14	h9 / h11	63	140	0,4 0,6	22	9	5,4	0,2 0	
>	85	95	25	x	14		70	160		25	9	5,4		
>	95	110	28	x	16		80	180		28	10	6,4		
>	110	130	32	x	18		90	200	32	11	7,4	0,4 0,6		
>	130	150	36	x	20		100	160	36	12	8,4			
>	150	170	40	x	22		110	180	40	13	9,4			
>	170	200	45	x	25	1 1,2	125	200	0,6 0,8	45	14	10,4	0,3 0	

4.1 OUTPUT FLANGE



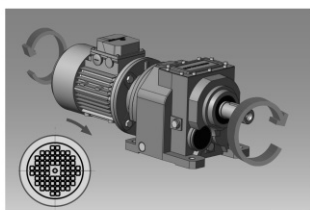
SXH...F/SXH...U		
191 241	252/253 302/303	FA
		FB
		FC
		FD
281	352/353	FA
		FB
		FC
381 481	402/403	FA
		FB
		FC
551	502/503	FA
		FB
		FC
-	602/603	FA
		FB
		FC
	702/703	FA
		FB
		FC
	902/903	FA
		FB
		FC

4.2 BACKSTOP DEVICE

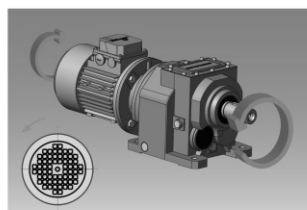
The gear reducer can be supplied with backstop device on input shaft. Backstop device allows output shaft rotation in only one sense of direction; according to the size, it is available in the input flange or in the motor with the same dimensions. It is important to specify the required sense of direction on the order. The backstop device is not available for mounting position V1/V5 with motor size IEC 100...225.

SENSE OF DIRECTION AVAILABLE

SXH... 1 - SXH... 1F - SXH... 1U - SXH... M - SXH... 3 - SXH... 3F - SXH... 3U

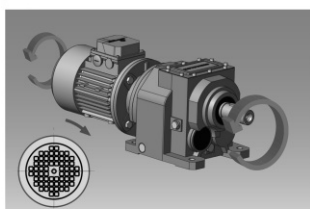


CLOCKWISE SENSE OF DIRECTION
REFERRED TO HIGH SPEED SHAFT

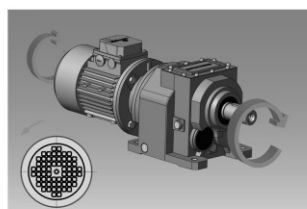


COUNTER CLOCKWISE SENSE OF DIRECTION
REFERRED TO HIGH SPEED SHAFT

SXH... 2 - SXH... 2F - SXH... 2U



CLOCKWISE SENSE OF DIRECTION
REFERRED TO HIGH SPEED SHAFT



COUNTER CLOCKWISE SENSE OF DIRECTION
REFERRED TO HIGH SPEED SHAFT

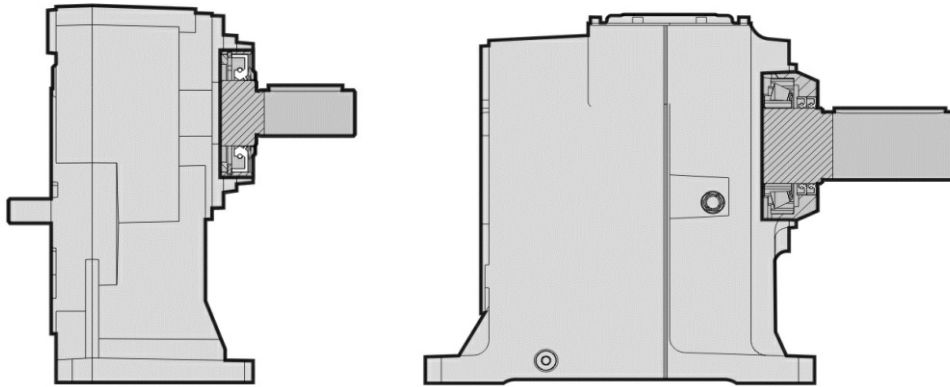
	063	071	080	090	100-112	132	160	180	200	225
SXH	140x11	160x14	200x19	200x24	250x28	300x38	350x42	350x48	400x55	450x60
252		B5	B5	B5	B5					
253	B5	B5	B5	B5						
191		B5	B5	B5						
302		B5	B5	B5	B5					
303	B5	B5	B5	B5						
241		B5	B5	B5	B5					
352		B5	B5	B5	B5					
353	B5	B5	B5	B5						
281			B5	B5	B5					
402			B5	B5	B5	B5				
403		B5	B5	B5	B5					
381			B5	B5	B5	B5				
502			B5	B5	B5	B5	B5			
503			B5	B5	B5	B5				
481					B5	B5	B5	B5		
602					B5	B5	B5	B5		
603				B5	B5	B5	B5			
551						B5	B5	B5	B5	
702						B5	B5	B5	B5	
703					B5	B5	B5	B5	B5	
902							B5	B5	B5	B5
903							B5	B5	B5	

4.3 REINFORCED OIL SEALS FOR OUTPUT SHAFT

The reinforced seal can be done depending on the gearbox size by means of two oil seals or through the standard oil seal with VRM ring. The difference of the two solutions is explained on the drawings.

The helical gear reducers from size 402/403 to size 902/903 (except for single stage) in V1/ V5 mounting position, are already equipped with 2 oil seals as standard.

On request the gear reducer can be supplied with fluoroelastomer FPM (FKM) seals.



SXH	Double oil seal	VRM ring
191		X
241		X
281		X
381		X
481		X
551		X
252/253		X
302/303		X
352/353		X
402/403	X	
502/503	X	
602/603	X	
702/703	X	
902/903	X	

5.1 SXHC/SXAC GEARED MOTORS (50Hz)

0,09 kW

n2 [rpm]	M2 [Nm]	fs	i	Gear reducer	Size	Motor Pole	Fr2 [N]
136,5	6	3,9	6,30	SXACM141	63A	6	972
109,2	8	3,0	7,88	SXACM141	63A	6	1047
109,2	8	3,4	7,88	SXACM191	63A	6	1058
79,4	11	1,4	10,83	SXACM141	63A	6	1100
79,4	11	2,0	10,83	SXACM191	63A	6	1100
79,4	11	2,5	10,83	SXACM241	63A	6	3000
35,0	24	3,8	24,55	SXACM202	63A	6	2000
28,2	30	2,8	30,55	SXACM202	63A	6	2000
24,3	34	2,8	35,44	SXACM202	63A	6	2000
19,5	43	2,2	44,10	SXACM202	63A	6	2000
19,5	43	3,4	44,10	SXACM252	63A	6	4300
17,6	47	1,8	48,75	SXACM202	63A	6	2000
17,6	47	2,6	48,75	SXACM252	63A	6	4300
16,8	49	2,2	51,32	SXACM203	63A	6	2000
16,8	49	3,2	51,32	SXACM253	63A	6	4300
14,4	57	1,9	59,65	SXACM203	63A	6	2000
14,4	57	2,8	59,65	SXACM253	63A	6	4300
14,2	59	1,7	60,67	SXACM202	63A	6	2000
14,2	59	2,3	60,67	SXACM252	63A	6	4300
12,9	63	3,3	66,78	SXHCM253	63A	6	5500
11,9	69	1,5	72,27	SXACM203	63A	6	2000
11,9	69	2,3	72,27	SXACM253	63A	6	4300
11,5	71	3,0	74,84	SXHCM253	63A	6	5500
9,9	83	3,8	87,05	SXHCM303	63A	6	6600
9,8	84	3,8	88,02	SXACM303	63A	6	6000
9,6	85	1,2	89,94	SXACM203	63A	6	2000
9,6	85	1,8	89,94	SXACM253	63A	6	4300
8,7	94	2,2	99,27	SXHCM253	63A	6	5500
8,0	103	2,0	108,05	SXHCM253	63A	6	5500
7,8	105	1,0	110,51	SXACM203	63A	6	2000
7,8	105	1,5	110,51	SXACM253	63A	6	4300
7,7	106	3,0	111,61	SXACM303	63A	6	6000
7,5	109	2,9	114,55	SXHCM303	63A	6	6600
7,0	117	1,8	123,71	SXHCM253	63A	6	5500
6,8	119	2,6	125,69	SXHCM303	63A	6	6600
6,4	127	0,8	133,88	SXACM203	63A	6	2000
6,4	127	1,2	133,88	SXACM253	63A	6	4300
6,2	132	2,4	138,71	SXACM303	63A	6	6000
6,2	132	3,8	138,71	SXACM403	63A	6	8000
6,1	135	2,3	142,04	SXHCM303	63A	6	6600
6,0	136	1,5	143,33	SXHCM253	63A	6	5500
5,5	149	3,5	157,29	SXHCM353	63A	6	8000

5.1 SXHC/SXAC GEARED MOTORS (50Hz)

0,09 kW

n2 [rpm]	M2 [Nm]	fs	i	Gear reducer	Size	Motor Pole	Fr2 [N]
5,3	155	2,0	163,05	SXACM303	63A	6	6000
5,3	155	3,3	163,05	SXACM403	63A	6	8000
5,2	158	1,0	166,61	SXACM253	63A	6	4300
5,2	157	2,0	165,38	SXHCM303	63A	6	6600
4,8	169	1,2	178,61	SXHCM253	63A	6	5500
4,4	183	0,9	193,30	SXACM253	63A	6	4300
4,4	187	1,1	197,17	SXHCM253	63A	6	5500
4,4	185	2,8	194,56	SXHCM353	63A	6	8000
4,3	190	1,7	200,27	SXACM303	63A	6	6000
4,3	190	2,7	200,27	SXACM403	63A	6	8000
4,2	195	1,6	205,07	SXHCM303	63A	6	6600
4,0	205	2,6	216,38	SXHCM353	63A	6	8000
3,8	216	1,5	227,50	SXHCM303	63A	6	6600
3,7	223	1,4	235,41	SXACM303	63A	6	6000
3,7	223	2,3	235,41	SXACM403	63A	6	8000
3,5	233	0,9	245,70	SXHCM253	63A	6	5500
3,2	254	2,1	267,65	SXHCM353	63A	6	8000
3,0	270	1,2	284,81	SXACM303	63A	6	6000
3,0	270	1,9	284,81	SXACM403	63A	6	8000
3,0	268	1,2	282,10	SXHCM303	63A	6	6600
2,4	336	0,9	353,98	SXACM303	63A	6	6000
2,4	336	1,5	353,98	SXACM403	63A	6	8000

0,12 kW

n2 [rpm]	M2 [Nm]	fs	i	Gear reducer	Size	Motor Pole	Fr2 [N]
181,1	6	3,7	4,75	SXACM141	63B	6	884
170,2	7	3,4	7,88	SXACM141	63A	4	903
170,2	7	3,8	7,88	SXACM191	63A	4	913
168,6	7	3,6	5,10	SXACM141	63B	6	906
157,7	7	3,4	5,45	SXACM141	63B	6	926
136,5	8	2,9	6,30	SXACM141	63B	6	972
123,7	9	1,6	10,83	SXACM141	63A	4	1004
123,7	9	2,2	10,83	SXACM191	63A	4	1015
123,7	9	2,8	10,83	SXACM241	63A	4	2798
109,2	10	2,2	7,88	SXACM141	63B	6	1047
109,2	10	2,6	7,88	SXACM191	63B	6	1058
79,4	14	1,0	10,83	SXACM141	63B	6	1100
79,4	14	1,5	10,83	SXACM191	63B	6	1100
79,4	14	1,9	10,83	SXACM241	63B	6	3000
52,2	21	3,9	16,49	SXACM202	63B	6	1873
43,9	25	3,2	30,55	SXACM202	63A	4	1985

5.1 SXHC/SXAC GEARED MOTORS (50Hz)

0,12 kW

n2 [rpm]	M2 [Nm]	fs	i	Gear reducer	Size	Motor Pole	Fr2 [N]
42,4	26	3,6	20,26	SXACM202	63B	6	2000
37,8	29	3,1	35,44	SXACM202	63A	4	2000
35,0	32	2,8	24,55	SXACM202	63B	6	2000
30,4	36	2,5	44,10	SXACM202	63A	4	2000
30,4	36	3,9	44,10	SXACM252	63A	4	4300
28,2	39	2,1	30,55	SXACM202	63B	6	2000
28,2	39	3,7	30,55	SXACM252	63B	6	4300
27,5	40	2,0	48,75	SXACM202	63A	4	2000
27,5	40	2,9	48,75	SXACM252	63A	4	4300
26,1	41	2,4	51,32	SXACM203	63A	4	2000
26,1	41	3,6	51,32	SXACM253	63A	4	4300
24,3	46	2,1	35,44	SXACM202	63B	6	2000
24,3	46	3,4	35,44	SXACM252	63B	6	4300
22,5	48	2,1	59,65	SXACM203	63A	4	2000
22,5	48	3,1	59,65	SXACM253	63A	4	4300
22,1	50	1,9	60,67	SXACM202	63A	4	2000
22,1	50	2,6	60,67	SXACM252	63A	4	4300
20,1	54	3,7	66,78	SXHCM253	63A	4	5500
19,5	57	1,7	44,10	SXACM202	63B	6	2000
19,5	57	2,6	44,10	SXACM252	63B	6	4300
18,5	58	1,7	72,27	SXACM203	63A	4	2000
18,5	58	2,6	72,27	SXACM253	63A	4	4300
17,9	60	3,3	74,84	SXHCM253	63A	4	5500
17,6	63	1,3	48,75	SXACM202	63B	6	2000
17,6	63	1,9	48,75	SXACM252	63B	6	4300
16,8	65	1,6	51,32	SXACM203	63B	6	2000
16,8	65	2,4	51,32	SXACM253	63B	6	4300
16,0	68	3,1	53,59	SXHCM253	63B	6	5500
14,9	72	1,4	89,94	SXACM203	63A	4	2000
14,9	72	2,1	89,94	SXACM253	63A	4	4300
14,4	75	1,4	59,65	SXACM203	63B	6	2000
14,4	75	2,1	59,65	SXACM253	63B	6	4300
14,2	78	1,3	60,67	SXACM202	63B	6	2000
14,2	78	1,7	60,67	SXACM252	63B	6	4300
13,5	80	2,5	99,27	SXHCM253	63A	4	5500
12,9	84	2,5	66,78	SXHCM253	63B	6	5500
12,4	87	2,3	108,05	SXHCM253	63A	4	5500
12,1	89	1,1	110,51	SXACM203	63A	4	2000
12,1	89	1,7	110,51	SXACM253	63A	4	4300
12,0	90	3,3	111,61	SXACM303	63A	4	6000
11,9	91	1,1	72,27	SXACM203	63B	6	2000
11,9	91	1,7	72,27	SXACM253	63B	6	4300

5.1 SXHC/SXAC GEARED MOTORS (50Hz)

0,12 kW

n2 [rpm]	M2 [Nm]	fs	i	Gear reducer	Size	Motor Pole	Fr2 [N]
11,7	92	3,3	114,55	SXHCM303	63A	4	6600
11,5	95	3,3	74,88	SXACM303	63B	6	6000
11,5	95	2,2	74,84	SXHCM253	63B	6	5500
11,2	97	3,2	76,67	SXHCM303	63B	6	6600
10,8	99	2,0	123,71	SXHCM253	63A	4	5500
10,7	101	3,0	125,69	SXHCM303	63A	4	6600
10,0	108	0,9	133,88	SXACM203	63A	4	2000
10,0	108	1,4	133,88	SXACM253	63A	4	4300
9,9	110	2,9	87,05	SXHCM303	63B	6	6600
9,8	111	2,8	88,02	SXACM303	63B	6	6000
9,7	112	2,7	138,71	SXACM303	63A	4	6000
9,6	114	0,9	89,94	SXACM203	63B	6	2000
9,6	114	1,4	89,94	SXACM253	63B	6	4300
9,4	114	2,6	142,04	SXHCM303	63A	4	6600
9,3	115	1,7	143,33	SXHCM253	63A	4	5500
8,7	126	1,7	99,27	SXHCM253	63B	6	5500
8,5	126	4,0	157,29	SXHCM353	63A	4	8000
8,2	131	2,3	163,05	SXACM303	63A	4	6000
8,2	131	3,7	163,05	SXACM403	63A	4	8000
8,1	133	2,3	165,38	SXHCM303	63A	4	6600
8,0	134	1,1	166,61	SXACM253	63A	4	4300
8,0	137	1,5	108,05	SXHCM253	63B	6	5500
7,9	138	3,8	108,95	SXHCM353	63B	6	8000
7,8	140	1,1	110,51	SXACM253	63B	6	4300
7,7	141	2,2	111,61	SXACM303	63B	6	6000
7,7	141	3,6	111,61	SXACM403	63B	6	8000
7,5	144	1,4	178,61	SXHCM253	63A	4	5500
7,5	145	2,2	114,55	SXHCM303	63B	6	6600
7,0	157	1,3	123,71	SXHCM253	63B	6	5500
6,9	155	1,0	193,30	SXACM253	63A	4	4300
6,9	156	3,2	194,56	SXHCM353	63A	4	8000
6,8	159	1,3	197,17	SXHCM253	63A	4	5500
6,8	159	2,0	125,69	SXHCM303	63B	6	6600
6,7	161	1,9	200,27	SXACM303	63A	4	6000
6,7	161	3,0	200,27	SXACM403	63A	4	8000
6,5	165	1,8	205,07	SXHCM303	63A	4	6600
6,4	169	0,9	133,88	SXACM253	63B	6	4300
6,4	170	3,1	134,76	SXHCM353	63B	6	8000
6,2	175	1,8	138,71	SXACM303	63B	6	6000
6,2	175	2,9	138,71	SXACM403	63B	6	8000
6,2	174	2,9	216,38	SXHCM353	63A	4	8000
6,1	180	1,8	142,04	SXHCM303	63B	6	6600

5.1 SXHC/SXAC GEARED MOTORS (50Hz)

0,12 kW

n2 [rpm]	M2 [Nm]	fs	i	Gear reducer	Size	Motor Pole	Fr2 [N]
6,0	181	1,2	143,33	SXHCM253	63B	6	5500
5,9	183	1,6	227,50	SXHCM303	63A	4	6600
5,7	189	1,6	235,41	SXACM303	63A	4	6000
5,7	189	2,5	235,41	SXACM403	63A	4	8000
5,5	198	1,0	245,70	SXHCM253	63A	4	5500
5,5	199	2,6	157,29	SXHCM353	63B	6	8000
5,3	206	1,5	163,05	SXACM303	63B	6	6000
5,3	206	2,4	163,05	SXACM403	63B	6	8000
5,2	209	1,5	165,38	SXHCM303	63B	6	6600
5,0	215	2,3	267,65	SXHCM353	63A	4	8000
4,8	226	0,9	178,61	SXHCM253	63B	6	5500
4,8	227	1,3	282,10	SXHCM303	63A	4	6600
4,7	229	1,3	284,81	SXACM303	63A	4	6000
4,7	229	2,1	284,81	SXACM403	63A	4	8000
4,4	246	2,1	194,56	SXHCM353	63B	6	8000
4,3	253	1,2	200,27	SXACM303	63B	6	6000
4,3	253	2,0	200,27	SXACM403	63B	6	8000
4,2	259	1,2	205,07	SXHCM303	63B	6	6600
4,0	274	1,9	216,38	SXHCM353	63B	6	8000
3,8	285	1,1	353,98	SXACM303	63A	4	6000
3,8	285	1,7	353,98	SXACM403	63A	4	8000
3,8	288	1,1	227,50	SXHCM303	63B	6	6600
3,7	298	1,1	235,41	SXACM303	63B	6	6000
3,7	298	1,7	235,41	SXACM403	63B	6	8000
3,2	339	1,6	267,65	SXHCM353	63B	6	8000
3,0	360	0,9	284,81	SXACM303	63B	6	6000
3,0	360	1,4	284,81	SXACM403	63B	6	8000
2,4	448	1,1	353,98	SXACM403	63B	6	8000

0,15 kW

n2 [rpm]	M2 [Nm]	fs	i	Gear reducer	Size	Motor Pole	Fr2 [N]
255,0	6	3,8	3,18	SXACM141	63C	6	789
241,3	6	3,6	3,36	SXACM141	63C	6	804
209,5	7	3,3	3,87	SXACM141	63C	6	842
192,2	7	3,0	4,21	SXACM141	63C	6	867
170,5	8	2,8	4,75	SXACM141	63C	6	902
170,5	8	3,8	4,75	SXACM191	63C	6	912
158,8	9	2,7	5,10	SXACM141	63C	6	924
148,5	9	2,6	5,45	SXACM141	63C	6	945
148,5	9	3,3	5,45	SXACM191	63C	6	955
128,6	11	2,2	6,30	SXACM141	63C	6	991

5.1 SXHC/SXAC GEARED MOTORS (50Hz)

0,15 kW

n ₂ [rpm]	M ₂ [Nm]	f _s	i	Gear reducer	Motor		Fr ₂ [N]
					Size	Pole	
102,9	14	1,7	7,88	SXACM141	63C	6	1068
102,9	14	1,9	7,88	SXACM191	63C	6	1080
102,9	14	3,1	7,88	SXACM241	63C	6	2975
74,8	19	1,1	10,83	SXACM191	63C	6	1100
74,8	19	1,4	10,83	SXACM241	63C	6	3000
61,1	23	3,7	13,25	SXACM202	63C	6	1777
49,1	28	3,0	16,49	SXACM202	63C	6	1911
40,0	35	2,7	20,26	SXACM202	63C	6	2000
33,0	42	2,1	24,55	SXACM202	63C	6	2000
33,0	42	3,9	24,55	SXACM252	63C	6	4300
26,5	52	1,6	30,55	SXACM202	63C	6	2000
26,5	52	2,8	30,55	SXACM252	63C	6	4300
22,9	61	1,6	35,44	SXACM202	63C	6	2000
22,9	61	2,6	35,44	SXACM252	63C	6	4300
18,4	76	1,2	44,10	SXACM202	63C	6	2000
18,4	76	1,9	44,10	SXACM252	63C	6	4300
16,6	84	1,0	48,75	SXACM202	63C	6	2000
16,6	84	1,4	48,75	SXACM252	63C	6	4300
16,3	84	3,8	49,80	SXACM303	63C	6	6000
15,8	86	1,2	51,32	SXACM203	63C	6	2000
15,8	86	1,8	51,32	SXACM253	63C	6	4300
15,1	90	2,3	53,59	SXHCM253	63C	6	5500
13,6	100	1,0	59,65	SXACM203	63C	6	2000
13,6	100	1,6	59,65	SXACM253	63C	6	4300
13,4	104	1,0	60,67	SXACM202	63C	6	2000
13,4	104	1,3	60,67	SXACM252	63C	6	4300
13,4	101	3,1	60,25	SXACM303	63C	6	6000
13,1	104	3,0	61,83	SXHCM303	63C	6	6600
12,1	112	1,9	66,78	SXHCM253	63C	6	5500
11,2	121	0,9	72,27	SXACM203	63C	6	2000
11,2	121	1,3	72,27	SXACM253	63C	6	4300
10,8	126	2,5	74,88	SXACM303	63C	6	6000
10,8	126	1,7	74,84	SXHCM253	63C	6	5500
10,6	129	2,4	76,67	SXHCM303	63C	6	6600
9,3	146	2,2	87,05	SXHCM303	63C	6	6600
9,2	148	2,1	88,02	SXACM303	63C	6	6000
9,2	148	3,4	88,02	SXACM403	63C	6	8000
9,0	151	1,0	89,94	SXACM253	63C	6	4300
8,9	152	3,5	90,51	SXHCM353	63C	6	8000
8,2	167	1,3	99,27	SXHCM253	63C	6	5500
7,5	181	1,2	108,05	SXHCM253	63C	6	5500
7,4	183	2,9	108,95	SXHCM353	63C	6	8000

5.1 SXHC/SXAC GEARED MOTORS (50Hz)

0,15 kW

n2 [rpm]	M2 [Nm]	fs	i	Gear reducer	Size	Motor Pole	Fr2 [N]
7,3	186	0,8	110,51	SXACM253	63C	6	4300
7,3	187	1,7	111,61	SXACM303	63C	6	6000
7,3	187	2,7	111,61	SXACM403	63C	6	8000
7,1	192	1,6	114,55	SXHCM303	63C	6	6600
6,5	208	1,0	123,71	SXHCM253	63C	6	5500
6,4	211	1,5	125,69	SXHCM303	63C	6	6600
6,0	226	2,3	134,76	SXHCM353	63C	6	8000
5,8	233	1,4	138,71	SXACM303	63C	6	6000
5,8	233	2,2	138,71	SXACM403	63C	6	8000
5,7	238	1,3	142,04	SXHCM303	63C	6	6600
5,1	264	2,0	157,29	SXHCM353	63C	6	8000
5,0	274	1,2	163,05	SXACM303	63C	6	6000
5,0	274	1,8	163,05	SXACM403	63C	6	8000
4,9	278	1,1	165,38	SXHCM303	63C	6	6600
4,2	327	1,6	194,56	SXHCM353	63C	6	8000
4,0	336	0,9	200,27	SXACM303	63C	6	6000
4,0	336	1,5	200,27	SXACM403	63C	6	8000
3,9	344	0,9	205,07	SXHCM303	63C	6	6600
3,7	363	1,4	216,38	SXHCM353	63C	6	8000
3,4	395	1,3	235,41	SXACM403	63C	6	8000
3,0	449	1,2	267,65	SXHCM353	63C	6	8000
2,8	478	1,1	284,81	SXACM403	63C	6	8000
2,3	594	0,8	353,98	SXACM403	63C	6	8000

0,18 kW

n2 [rpm]	M2 [Nm]	fs	i	Gear reducer	Size	Motor Pole	Fr2 [N]
355,6	5	3,6	7,88	SXACM141	63A	2	706
315,6	5	4,0	4,21	SXACM141	63B	4	735
305,7	6	3,8	2,94	SXACM141	71A	6	743
283,3	6	3,5	3,18	SXACM141	71A	6	762
280,0	6	3,7	4,75	SXACM141	63B	4	765
268,1	6	3,3	3,36	SXACM141	71A	6	776
260,8	6	3,6	5,10	SXACM141	63B	4	783
258,5	6	1,7	10,83	SXACM141	63A	2	785
258,5	6	2,4	10,83	SXACM191	63A	2	794
258,5	6	3,0	10,83	SXACM241	63A	2	2188
243,8	7	3,4	5,45	SXACM141	63B	4	801
232,8	7	3,0	3,87	SXACM141	71A	6	813
213,6	8	2,8	4,21	SXACM141	71A	6	837
211,1	8	2,9	6,30	SXACM141	63B	4	840
189,5	9	2,6	4,75	SXACM141	71A	6	871

5.1 SXHC/SXAC GEARED MOTORS (50Hz)

0,18 kW

n2 [rpm]	M2 [Nm]	fs	i	Gear reducer	Motor		Fr2 [N]
					Size	Pole	
189,5	9	3,5	4,75	SXACM191	71A	6	881
176,5	10	2,5	5,10	SXACM141	71A	6	892
168,9	10	2,2	7,88	SXACM141	63B	4	905
168,9	10	2,5	7,88	SXACM191	63B	4	915
165,0	10	2,4	5,45	SXACM141	71A	6	912
165,0	10	3,1	5,45	SXACM191	71A	6	922
142,9	12	2,0	6,30	SXACM141	71A	6	957
122,8	14	1,0	10,83	SXACM141	63B	4	1007
122,8	14	1,5	10,83	SXACM191	63B	4	1018
122,8	14	1,8	10,83	SXACM241	63B	4	2805
117,4	14	3,7	7,67	SXHCM191	71A	6	1000
114,3	15	1,6	7,88	SXACM141	71A	6	1031
114,3	15	1,8	7,88	SXACM191	71A	6	1042
114,3	15	2,9	7,88	SXACM241	71A	6	2873
102,9	16	3,5	8,75	SXHCM191	71A	6	1000
91,7	17	3,5	30,55	SXACM202	63A	2	1552
83,1	20	1,0	10,83	SXACM191	71A	6	1100
83,1	20	1,3	10,83	SXACM241	71A	6	3000
80,7	20	3,9	16,49	SXACM202	63B	4	1620
79,0	20	3,3	35,44	SXACM202	63A	2	1631
67,9	25	3,4	13,25	SXACM202	71A	6	1716
65,6	25	3,6	20,26	SXACM202	63B	4	1735
63,5	25	2,7	44,10	SXACM202	63A	2	1755
57,4	28	2,2	48,75	SXACM202	63A	2	1814
57,4	28	3,1	48,75	SXACM252	63A	2	3819
54,6	31	2,8	16,49	SXACM202	71A	6	1845
54,6	29	2,6	51,32	SXACM203	63A	2	1846
54,6	29	3,9	51,32	SXACM253	63A	2	3885
54,2	30	2,8	24,55	SXACM202	63B	4	1850
46,9	33	2,3	59,65	SXACM203	63A	2	1940
46,9	33	3,4	59,65	SXACM253	63A	2	4085
46,2	35	2,1	60,67	SXACM202	63A	2	1951
46,2	35	2,8	60,67	SXACM252	63A	2	4108
44,4	38	2,5	20,26	SXACM202	71A	6	1976
43,5	38	2,1	30,55	SXACM202	63B	4	1990
43,5	38	3,7	30,55	SXACM252	63B	4	4189
38,7	40	1,9	72,27	SXACM203	63A	2	2000
38,7	40	2,8	72,27	SXACM253	63A	2	4300
37,5	44	2,0	35,44	SXACM202	63B	4	2000
37,5	44	3,4	35,44	SXACM252	63B	4	4300
37,4	42	3,6	74,84	SXHCM253	63A	2	5500
36,7	45	2,0	24,55	SXACM202	71A	6	2000

5.1 SXHC/SXAC GEARED MOTORS (50Hz)

0,18 kW

n2 [rpm]	M2 [Nm]	fs	i	Gear reducer	Size	Motor Pole	Fr2 [N]
36,7	45	3,6	24,55	SXACM252	71A	6	4300
31,1	50	1,5	89,94	SXACM203	63A	2	2000
31,1	50	2,2	89,94	SXACM253	63A	2	4300
30,3	55	3,8	29,70	SXHCM252	71A	6	5500
30,2	55	1,6	44,10	SXACM202	63B	4	2000
30,2	55	2,6	44,10	SXACM252	63B	4	4300
29,5	57	1,5	30,55	SXACM202	71A	6	2000
29,5	57	2,6	30,55	SXACM252	71A	6	4300
28,2	55	2,7	99,27	SXHCM253	63A	2	5500
27,4	61	3,4	32,89	SXHCM252	71A	6	5500
27,3	60	1,3	48,75	SXACM202	63B	4	2000
27,3	60	1,9	48,75	SXACM252	63B	4	4300
25,9	62	1,6	51,32	SXACM203	63B	4	2000
25,9	62	2,4	51,32	SXACM253	63B	4	4300
25,9	60	2,5	108,05	SXHCM253	63A	2	5500
25,4	66	1,4	35,44	SXACM202	71A	6	2000
25,4	66	2,4	35,44	SXACM252	71A	6	4300
25,3	62	1,2	110,51	SXACM203	63A	2	2000
25,3	62	1,8	110,51	SXACM253	63A	2	4300
25,1	62	3,6	111,61	SXACM303	63A	2	6000
24,8	65	3,1	53,59	SXHCM253	63B	4	5500
24,4	64	3,5	114,55	SXHCM303	63A	2	6600
23,7	70	3,0	37,92	SXHCM252	71A	6	5500
22,6	69	2,2	123,71	SXHCM253	63A	2	5500
22,3	72	1,4	59,65	SXACM203	63B	4	2000
22,3	72	2,1	59,65	SXACM253	63B	4	4300
22,3	70	3,2	125,69	SXHCM303	63A	2	6600
21,9	75	1,3	60,67	SXACM202	63B	4	2000
21,9	75	1,7	60,67	SXACM252	63B	4	4300
21,7	77	2,7	41,40	SXHCM252	71A	6	5500
21,5	75	4,0	61,83	SXHCM303	63B	4	6600
20,9	75	1,0	133,88	SXACM203	63A	2	2000
20,9	75	1,5	133,88	SXACM253	63A	2	4300
20,6	81	3,6	43,75	SXHCM302	71A	6	6600
20,4	82	1,2	44,10	SXACM202	71A	6	2000
20,4	82	1,8	44,10	SXACM252	71A	6	4300
20,2	77	2,9	138,71	SXACM303	63A	2	6000
19,9	81	2,5	66,78	SXHCM253	63B	4	5500
19,7	79	2,8	142,04	SXHCM303	63A	2	6600
19,5	80	1,9	143,33	SXHCM253	63A	2	5500
19,0	88	2,4	47,25	SXHCM252	71A	6	5500
18,9	88	3,3	47,53	SXHCM302	71A	6	6600

5.1 SXHC/SXAC GEARED MOTORS (50Hz)

0,18 kW

n ₂ [rpm]	M ₂ [Nm]	f _s	i	Gear reducer	Motor		Fr ₂ [N]
					Size	Pole	
18,5	90	0,9	48,75	SXACM202	71A	6	2000
18,5	90	1,3	48,75	SXACM252	71A	6	4300
18,4	88	1,1	72,27	SXACM203	63B	4	2000
18,4	88	1,7	72,27	SXACM253	63B	4	4300
18,1	90	3,5	49,80	SXACM303	71A	6	6000
17,8	91	3,3	74,88	SXACM303	63B	4	6000
17,8	91	2,2	74,84	SXHCM253	63B	4	5500
17,5	93	1,1	51,32	SXACM203	71A	6	2000
17,5	93	1,7	51,32	SXACM253	71A	6	4300
17,3	93	3,2	76,67	SXHCM303	63B	4	6600
17,2	91	2,5	163,05	SXACM303	63A	2	6000
17,2	91	4,0	163,05	SXACM403	63A	2	8000
16,9	92	2,4	165,38	SXHCM303	63A	2	6600
16,8	93	1,2	166,61	SXACM253	63A	2	4300
16,8	97	2,2	53,59	SXHCM253	71A	6	5500
16,6	100	2,9	54,25	SXHCM302	71A	6	6600
15,7	99	1,5	178,61	SXHCM253	63A	2	5500
15,3	106	2,8	87,05	SXHCM303	63B	4	6600
15,1	108	1,0	59,65	SXACM203	71A	6	2000
15,1	108	1,5	59,65	SXACM253	71A	6	4300
15,1	107	2,8	88,02	SXACM303	63B	4	6000
14,9	109	2,9	60,25	SXACM303	71A	6	6000
14,8	112	0,9	60,67	SXACM202	71A	6	2000
14,8	109	0,9	89,94	SXACM203	63B	4	2000
14,8	112	1,2	60,67	SXACM252	71A	6	4300
14,8	109	1,4	89,94	SXACM253	63B	4	4300
14,6	112	2,8	61,83	SXHCM303	71A	6	6600
14,5	108	1,0	193,30	SXACM253	63A	2	4300
14,4	108	3,5	194,56	SXHCM353	63A	2	8000
14,2	110	1,4	197,17	SXHCM253	63A	2	5500
14,0	112	2,0	200,27	SXACM303	63A	2	6000
14,0	112	3,2	200,27	SXACM403	63A	2	8000
13,7	114	2,0	205,07	SXHCM303	63A	2	6600
13,5	121	1,7	66,78	SXHCM253	71A	6	5500
13,4	121	1,7	99,27	SXHCM253	63B	4	5500
12,9	121	3,1	216,38	SXHCM353	63A	2	8000
12,5	131	0,8	72,27	SXACM203	71A	6	2000
12,5	131	1,2	72,27	SXACM253	71A	6	4300
12,4	132	4,0	72,75	SXHCM353	71A	6	8000
12,3	131	1,5	108,05	SXHCM253	63B	4	5500
12,3	127	1,8	227,50	SXHCM303	63A	2	6600
12,2	132	3,8	108,95	SXHCM353	63B	4	8000

5.1 SXHC/SXAC GEARED MOTORS (50Hz)

0,18 kW

n2 [rpm]	M2 [Nm]	fs	i	Gear reducer	Motor		Fr2 [N]
					Size	Pole	
12,0	134	1,1	110,51	SXACM253	63B	4	4300
12,0	136	2,3	74,88	SXACM303	71A	6	6000
12,0	136	3,7	74,88	SXACM403	71A	6	8000
12,0	136	1,5	74,84	SXHCM253	71A	6	5500
11,9	136	2,2	111,61	SXACM303	63B	4	6000
11,9	131	1,7	235,41	SXACM303	63A	2	6000
11,9	136	3,5	111,61	SXACM403	63B	4	8000
11,9	131	2,7	235,41	SXACM403	63A	2	8000
11,7	139	2,3	76,67	SXHCM303	71A	6	6600
11,6	139	2,2	114,55	SXHCM303	63B	4	6600
11,4	137	1,1	245,70	SXHCM253	63A	2	5500
10,8	150	1,3	123,71	SXHCM253	63B	4	5500
10,6	153	2,0	125,69	SXHCM303	63B	4	6600
10,5	149	2,5	267,65	SXHCM353	63A	2	8000
10,3	158	2,0	87,05	SXHCM303	71A	6	6600
10,2	160	2,0	88,02	SXACM303	71A	6	6000
10,2	160	3,2	88,02	SXACM403	71A	6	8000
10,0	163	1,0	89,94	SXACM253	71A	6	4300
9,9	163	0,9	133,88	SXACM253	63B	4	4300
9,9	157	1,4	282,10	SXHCM303	63A	2	6600
9,9	164	3,2	90,51	SXHCM353	71A	6	8000
9,9	164	3,1	134,76	SXHCM353	63B	4	8000
9,8	159	1,4	284,81	SXACM303	63A	2	6000
9,8	159	2,3	284,81	SXACM403	63A	2	8000
9,6	169	1,8	138,71	SXACM303	63B	4	6000
9,6	169	2,8	138,71	SXACM403	63B	4	8000
9,4	173	1,7	142,04	SXHCM303	63B	4	6600
9,3	174	1,1	143,33	SXHCM253	63B	4	5500
9,1	180	1,2	99,27	SXHCM253	71A	6	5500
8,5	191	2,6	157,29	SXHCM353	63B	4	8000
8,3	196	1,1	108,05	SXHCM253	71A	6	5500
8,3	198	2,7	108,95	SXHCM353	71A	6	8000
8,2	198	1,5	163,05	SXACM303	63B	4	6000
8,2	198	2,4	163,05	SXACM403	63B	4	8000
8,1	202	1,6	111,61	SXACM303	71A	6	6000
8,1	202	2,5	111,61	SXACM403	71A	6	8000
8,0	201	1,5	165,38	SXHCM303	63B	4	6600
7,9	197	1,1	353,98	SXACM303	63A	2	6000
7,9	197	1,8	353,98	SXACM403	63A	2	8000
7,9	208	1,5	114,55	SXHCM303	71A	6	6600
7,4	217	0,9	178,61	SXHCM253	63B	4	5500
7,3	224	0,9	123,71	SXHCM253	71A	6	5500

5.1 SXHC/SXAC GEARED MOTORS (50Hz)

0,18 kW

n2 [rpm]	M2 [Nm]	fs	i	Gear reducer	Size	Motor Pole	Fr2 [N]
7,2	228	1,4	125,69	SXHCM303	71A	6	6600
6,8	236	2,1	194,56	SXHCM353	63B	4	8000
6,7	244	2,1	134,76	SXHCM353	71A	6	8000
6,6	243	1,2	200,27	SXACM303	63B	4	6000
6,6	243	2,0	200,27	SXACM403	63B	4	8000
6,6	246	3,6	135,40	SXHCM403	71A	6	12000
6,5	252	1,3	138,71	SXACM303	71A	6	6000
6,5	252	2,0	138,71	SXACM403	71A	6	8000
6,5	249	1,2	205,07	SXHCM303	63B	4	6600
6,3	258	1,2	142,04	SXHCM303	71A	6	6600
6,1	263	1,9	216,38	SXHCM353	63B	4	8000
6,0	271	3,3	149,51	SXHCM403	71A	6	12000
5,8	276	1,1	227,50	SXHCM303	63B	4	6600
5,7	285	1,8	157,29	SXHCM353	71A	6	8000
5,6	286	1,0	235,41	SXACM303	63B	4	6000
5,6	286	1,7	235,41	SXACM403	63B	4	8000
5,5	296	1,1	163,05	SXACM303	71A	6	6000
5,5	296	1,7	163,05	SXACM403	71A	6	8000
5,4	300	1,1	165,38	SXHCM303	71A	6	6600
5,3	309	2,9	170,67	SXHCM403	71A	6	12000
5,0	325	1,5	267,65	SXHCM353	63B	4	8000
4,8	338	2,6	186,18	SXHCM403	71A	6	12000
4,7	346	0,9	284,81	SXACM303	63B	4	6000
4,7	346	1,4	284,81	SXACM403	63B	4	8000
4,6	353	1,5	194,56	SXHCM353	71A	6	8000
4,5	363	0,9	200,27	SXACM303	71A	6	6000
4,5	363	1,4	200,27	SXACM403	71A	6	8000
4,2	392	1,3	216,38	SXHCM353	71A	6	8000
4,2	390	2,3	215,21	SXHCM403	71A	6	12000
3,8	427	1,2	235,41	SXACM403	71A	6	8000
3,8	430	1,1	353,98	SXACM403	63B	4	8000
3,8	426	2,1	234,67	SXHCM403	71A	6	12000
3,4	485	1,1	267,65	SXHCM353	71A	6	8000
3,4	486	1,8	268,00	SXHCM403	71A	6	12000
3,2	516	1,0	284,81	SXACM403	71A	6	8000

0,22 kW

n2 [rpm]	M2 [Nm]	fs	i	Gear reducer	Size	Motor Pole	Fr2 [N]
396,2	5	3,9	3,36	SXACM141	63C	4	681
344,0	6	3,5	3,87	SXACM141	63C	4	714
315,6	6	3,3	4,21	SXACM141	63C	4	735

5.1 SXHC/SXAC GEARED MOTORS (50Hz)

0,22 kW

n2 [rpm]	M2 [Nm]	fs	i	Gear reducer	Motor		Fr2 [N]
					Size	Pole	
280,0	7	3,0	4,75	SXACM141	63C	4	765
260,8	8	2,9	5,10	SXACM141	63C	4	783
243,8	8	2,8	5,45	SXACM141	63C	4	801
243,8	8	3,6	5,45	SXACM191	63C	4	810
211,1	10	2,4	6,30	SXACM141	63C	4	840
168,9	12	1,8	7,88	SXACM141	63C	4	905
168,9	12	2,1	7,88	SXACM191	63C	4	915
168,9	12	3,3	7,88	SXACM241	63C	4	2522
122,8	17	0,8	10,83	SXACM141	63C	4	1007
122,8	17	1,2	10,83	SXACM191	63C	4	1018
122,8	17	1,5	10,83	SXACM241	63C	4	2805
100,4	20	4,0	13,25	SXACM202	63C	4	1506
80,7	25	3,2	16,49	SXACM202	63C	4	1620
65,6	31	2,9	20,26	SXACM202	63C	4	1735
54,2	37	2,3	24,55	SXACM202	63C	4	1850
43,5	46	1,7	30,55	SXACM202	63C	4	1990
43,5	46	3,0	30,55	SXACM252	63C	4	4189
37,5	54	1,7	35,44	SXACM202	63C	4	2000
37,5	54	2,8	35,44	SXACM252	63C	4	4300
30,2	67	1,3	44,10	SXACM202	63C	4	2000
30,2	67	2,1	44,10	SXACM252	63C	4	4300
27,3	74	1,1	48,75	SXACM202	63C	4	2000
27,3	74	1,6	48,75	SXACM252	63C	4	4300
25,9	76	1,3	51,32	SXACM203	63C	4	2000
25,9	76	2,0	51,32	SXACM253	63C	4	4300
24,8	80	2,5	53,59	SXHCM253	63C	4	5500
22,3	89	1,1	59,65	SXACM203	63C	4	2000
22,3	89	1,7	59,65	SXACM253	63C	4	4300
22,1	89	3,4	60,25	SXACM303	63C	4	6000
21,9	92	1,0	60,67	SXACM202	63C	4	2000
21,9	92	1,4	60,67	SXACM252	63C	4	4300
21,5	92	3,3	61,83	SXHCM303	63C	4	6600
19,9	99	2,0	66,78	SXHCM253	63C	4	5500
18,4	107	0,9	72,27	SXACM203	63C	4	2000
18,4	107	1,4	72,27	SXACM253	63C	4	4300
17,8	111	2,7	74,88	SXACM303	63C	4	6000
17,8	111	1,8	74,84	SXHCM253	63C	4	5500
17,3	114	2,6	76,67	SXHCM303	63C	4	6600
15,3	129	2,3	87,05	SXHCM303	63C	4	6600
15,1	131	2,3	88,02	SXACM303	63C	4	6000
15,1	131	3,7	88,02	SXACM403	63C	4	8000
14,8	134	1,1	89,94	SXACM253	63C	4	4300

5.1 SXHC/SXAC GEARED MOTORS (50Hz)

0,22 kW

n2 [rpm]	M2 [Nm]	fs	i	Gear reducer	Size	Motor Pole	Fr2 [N]
14,7	134	3,7	90,51	SXHCM353	63C	4	8000
13,4	147	1,4	99,27	SXHCM253	63C	4	5500
12,3	160	1,2	108,05	SXHCM253	63C	4	5500
12,2	162	3,1	108,95	SXHCM353	63C	4	8000
12,0	164	0,9	110,51	SXACM253	63C	4	4300
11,9	166	1,8	111,61	SXACM303	63C	4	6000
11,9	166	2,9	111,61	SXACM403	63C	4	8000
11,6	170	1,8	114,55	SXHCM303	63C	4	6600
10,8	184	1,1	123,71	SXHCM253	63C	4	5500
10,6	187	1,6	125,69	SXHCM303	63C	4	6600
9,9	200	2,5	134,76	SXHCM353	63C	4	8000
9,6	206	1,5	138,71	SXACM303	63C	4	6000
9,6	206	2,3	138,71	SXACM403	63C	4	8000
9,4	211	1,4	142,04	SXHCM303	63C	4	6600
9,3	213	0,9	143,33	SXHCM253	63C	4	5500
8,5	234	2,1	157,29	SXHCM353	63C	4	8000
8,2	242	1,2	163,05	SXACM303	63C	4	6000
8,2	242	2,0	163,05	SXACM403	63C	4	8000
8,0	246	1,2	165,38	SXHCM303	63C	4	6600
6,8	289	1,7	194,56	SXHCM353	63C	4	8000
6,6	297	1,0	200,27	SXACM303	63C	4	6000
6,6	297	1,6	200,27	SXACM403	63C	4	8000
6,5	305	1,0	205,07	SXHCM303	63C	4	6600
6,1	321	1,6	216,38	SXHCM353	63C	4	8000
5,6	350	0,9	235,41	SXACM303	63C	4	6000
5,6	350	1,4	235,41	SXACM403	63C	4	8000
5,0	397	1,3	267,65	SXHCM353	63C	4	8000
4,7	423	1,1	284,81	SXACM403	63C	4	8000
3,8	526	0,9	353,98	SXACM403	63C	4	8000

0,25 kW

n2 [rpm]	M2 [Nm]	fs	i	Gear reducer	Size	Motor Pole	Fr2 [N]
513,3	4	4,0	5,45	SXACM141	63B	2	625
448,3	5	3,9	2,94	SXACM141	63D	4	654
444,4	5	3,4	6,30	SXACM141	63B	2	656
415,6	6	3,6	3,18	SXACM141	63D/71A	4	670
393,2	6	3,4	3,36	SXACM141	63D/71A	4	683
355,6	6	2,6	7,88	SXACM141	63B	2	706
355,6	6	3,0	7,88	SXACM191	63B	2	714
352,9	7	3,0	2,55	SXACM141	71B	6	708
341,4	7	3,1	3,87	SXACM141	63D/71A	4	716

5.1 SXHC/SXAC GEARED MOTORS (50Hz)

0,25 kW

n2 [rpm]	M2 [Nm]	fs	i	Gear reducer	Motor		Fr2 [N]
					Size	Pole	
313,2	7	2,8	4,21	SXACM141	63D/71A	4	737
305,7	8	2,7	2,94	SXACM141	71B	6	743
305,7	8	3,4	2,94	SXACM191	71B	6	751
283,3	8	2,5	3,18	SXACM141	71B	6	762
277,9	8	2,6	4,75	SXACM141	63D/71A	4	767
277,9	8	3,6	4,75	SXACM191	63D/71A	4	775
268,1	9	2,4	3,36	SXACM141	71B	6	776
258,8	9	2,6	5,10	SXACM141	63D/71A	4	785
258,5	9	1,2	10,83	SXACM141	63B	2	785
258,5	9	1,7	10,83	SXACM191	63B	2	794
258,5	9	2,2	10,83	SXACM241	63B	2	2188
242,0	10	2,4	5,45	SXACM141	63D/71A	4	803
242,0	10	3,1	5,45	SXACM191	63D/71A	4	812
232,8	10	2,2	3,87	SXACM141	71B	6	813
213,6	11	2,0	4,21	SXACM141	71B	6	837
209,5	11	2,1	6,30	SXACM141	63D/71A	4	842
189,5	12	1,9	4,75	SXACM141	71B	6	871
189,5	12	2,6	4,75	SXACM191	71B	6	881
181,3	13	3,9	7,67	SXHCM191	71A	4	1000
180,0	13	3,6	5,00	SXHCM191	71B	6	1000
176,5	13	1,8	5,10	SXACM141	71B	6	892
167,6	14	1,6	7,88	SXACM141	63D/71A	4	907
167,6	14	1,8	7,88	SXACM191	63D/71A	4	918
167,6	14	2,9	7,88	SXACM241	63D/71A	4	2528
165,0	14	1,7	5,45	SXACM141	71B	6	912
165,0	14	2,2	5,45	SXACM191	71B	6	922
165,0	14	3,7	5,45	SXACM241	71B	6	2542
163,6	14	3,7	5,50	SXHCM191	71B	6	1000
158,9	15	3,8	8,75	SXHCM191	71A	4	1000
147,8	16	3,3	6,09	SXHCM191	71B	6	1000
142,9	16	1,5	6,30	SXACM141	71B	6	957
121,8	19	1,1	10,83	SXACM191	63D/71A	4	1020
121,8	19	1,3	10,83	SXACM241	63D/71A	4	2812
117,4	20	2,6	7,67	SXHCM191	71B	6	1000
114,3	20	1,1	7,88	SXACM141	71B	6	1031
114,3	20	1,3	7,88	SXACM191	71B	6	1042
114,3	20	2,1	7,88	SXACM241	71B	6	2873
114,1	19	3,3	24,55	SXACM202	63B	2	1443
111,0	21	3,8	8,11	SXACM202	71B	6	1457
102,9	23	2,5	8,75	SXHCM191	71B	6	1000
99,6	23	3,5	13,25	SXACM202	63D/71A	4	1510
91,7	24	2,5	30,55	SXACM202	63B	2	1552

0,25 kW

n2 [rpm]	M2 [Nm]	fs	i	Gear reducer	Motor Size	Pole	Fr2 [N]
83,1	28	0,9	10,83	SXACM241	71B	6	3000
82,3	28	3,4	10,94	SXACM202	71B	6	1609
80,1	29	2,8	16,49	SXACM202	63D/71A	4	1624
79,0	28	2,4	35,44	SXACM202	63B	2	1631
67,9	34	2,5	13,25	SXACM202	71B	6	1716
65,2	35	2,6	20,26	SXACM202	63D/71A	4	1740
63,5	35	1,9	44,10	SXACM202	63B	2	1755
63,5	35	3,0	44,10	SXACM252	63B	2	3694
57,4	39	1,6	48,75	SXACM202	63B	2	1814
57,4	39	2,2	48,75	SXACM252	63B	2	3819
54,6	42	2,0	16,49	SXACM202	71B	6	1845
54,6	40	1,9	51,32	SXACM203	63B	2	1846
54,6	42	3,5	16,49	SXACM252	71B	6	3885
54,6	40	2,8	51,32	SXACM253	63B	2	3885
53,8	43	2,0	24,55	SXACM202	63D/71A	4	1854
53,8	43	3,6	24,55	SXACM252	63D/71A	4	3904
52,2	41	3,6	53,59	SXHCM253	63B	2	5500
46,9	46	1,6	59,65	SXACM203	63B	2	1940
46,9	46	2,4	59,65	SXACM253	63B	2	4085
46,2	48	1,5	60,67	SXACM202	63B	2	1951
46,2	48	2,0	60,67	SXACM252	63B	2	4108
44,4	52	1,8	20,26	SXACM202	71B	6	1976
44,4	52	3,0	20,26	SXACM252	71B	6	4161
43,2	53	1,5	30,55	SXACM202	63D/71A	4	1995
43,2	53	2,6	30,55	SXACM252	63D/71A	4	4199
42,3	54	3,7	32,89	SXHCM252	71A	4	5500
41,9	52	2,9	66,78	SXHCM253	63B	2	5500
39,7	58	3,6	22,68	SXHCM252	71B	6	5500
38,7	56	1,3	72,27	SXACM203	63B	2	2000
38,7	56	2,0	72,27	SXACM253	63B	2	4300
37,8	61	3,4	23,83	SXHCM252	71B	6	5500
37,4	58	3,9	74,88	SXACM303	63B	2	5508
37,4	58	2,6	74,84	SXHCM253	63B	2	5500
37,2	62	1,5	35,44	SXACM202	63D/71A	4	2000
37,2	62	2,4	35,44	SXACM252	63D/71A	4	4300
36,7	63	1,4	24,55	SXACM202	71B	6	2000
36,7	63	2,6	24,55	SXACM252	71B	6	4300
36,7	63	3,2	37,92	SXHCM252	71A	4	5500
36,5	59	3,8	76,67	SXHCM303	63B	2	6600
34,1	68	3,1	26,39	SXHCM252	71B	6	5500
33,6	68	2,9	41,40	SXHCM252	71A	4	5500
32,2	67	3,3	87,05	SXHCM303	63B	2	6600

5.1 SXHC/SXAC GEARED MOTORS (50Hz)

0,25 kW

n ₂ [rpm]	M ₂ [Nm]	f _s	i	Gear reducer	Motor		Fr ₂ [N]
					Size	Pole	
31,8	68	3,3	88,02	SXACM303	63B	2	5813
31,8	72	3,9	43,75	SXHCM302	71A	4	6600
31,1	70	1,1	89,94	SXACM203	63B	2	2000
31,1	70	1,6	89,94	SXACM253	63B	2	4300
30,3	76	2,7	29,70	SXHCM252	71B	6	5500
29,9	77	1,2	44,10	SXACM202	63D/71A	4	2000
29,9	77	1,8	44,10	SXACM252	63D/71A	4	4300
29,6	78	3,8	30,45	SXHCM302	71B	6	6600
29,5	79	1,1	30,55	SXACM202	71B	6	2000
29,5	79	1,9	30,55	SXACM252	71B	6	4300
29,4	78	2,6	47,25	SXHCM252	71A	4	5500
29,2	78	3,6	47,53	SXHCM302	71A	4	6600
28,2	77	2,0	99,27	SXHCM253	63B	2	5500
27,4	85	2,5	32,89	SXHCM252	71B	6	5500
27,1	85	0,9	48,75	SXACM202	63D/71A	4	2000
27,1	85	1,4	48,75	SXACM252	63D/71A	4	4300
26,5	85	3,5	49,80	SXACM303	63D/71A	4	6000
26,4	88	3,4	34,10	SXHCM302	71B	6	6600
25,9	84	1,8	108,05	SXHCM253	63B	2	5500
25,7	87	1,1	51,32	SXACM203	63D/71A	4	2000
25,7	87	1,7	51,32	SXACM253	63D/71A	4	4300
25,6	89	3,1	54,25	SXHCM302	71A	4	6600
25,4	91	1,0	35,44	SXACM202	71B	6	2000
25,4	91	1,7	35,44	SXACM252	71B	6	4300
25,3	85	1,3	110,51	SXACM253	63B	2	4300
25,1	86	2,6	111,61	SXACM303	63B	2	6000
24,6	91	2,2	53,59	SXHCM253	63D/71A	4	5500
24,4	89	2,5	114,55	SXHCM303	63B	2	6600
23,8	97	3,0	37,76	SXHCM302	71B	6	6600
23,7	98	2,2	37,92	SXHCM252	71B	6	5500
22,6	96	1,6	123,71	SXHCM253	63B	2	5500
22,3	97	2,3	125,69	SXHCM303	63B	2	6600
22,1	101	1,0	59,65	SXACM203	63D/71A	4	2000
22,1	101	1,5	59,65	SXACM253	63D/71A	4	4300
21,9	102	2,9	60,25	SXACM303	63D/71A	4	6000
21,8	105	0,9	60,67	SXACM202	63D/71A	4	2000
21,8	105	1,2	60,67	SXACM252	63D/71A	4	4300
21,7	106	2,0	41,40	SXHCM252	71B	6	5500
21,3	105	2,9	61,83	SXHCM303	63D/71A	4	6600
20,9	104	1,1	133,88	SXACM253	63B	2	4300
20,8	104	3,6	134,76	SXHCM353	63B	2	8000
20,6	113	2,6	43,75	SXHCM302	71B	6	6600

5.1 SXHC/SXAC GEARED MOTORS (50Hz)

0,25 kW

n ₂ [rpm]	M ₂ [Nm]	f _s	i	Gear reducer	Motor		Fr ₂ [N]
					Size	Pole	
20,4	113	0,8	44,10	SXACM202	71B	6	2000
20,4	113	1,3	44,10	SXACM252	71B	6	4300
20,2	107	2,1	138,71	SXACM303	63B	2	6000
20,2	107	3,4	138,71	SXACM403	63B	2	8000
19,8	114	1,8	66,78	SXHCM253	63D/71A	4	5500
19,7	110	2,0	142,04	SXHCM303	63B	2	6600
19,5	111	1,4	143,33	SXHCM253	63B	2	5500
19,0	122	1,7	47,25	SXHCM252	71B	6	5500
18,9	122	2,4	47,53	SXHCM302	71B	6	6600
18,5	125	1,0	48,75	SXACM252	71B	6	4300
18,3	123	0,8	72,27	SXACM203	63D/71A	4	2000
18,3	123	1,2	72,27	SXACM253	63D/71A	4	4300
18,1	125	2,5	49,80	SXACM303	71B	6	6000
17,8	122	3,1	157,29	SXHCM353	63B	2	8000
17,6	127	2,4	74,88	SXACM303	63D/71A	4	6000
17,6	127	3,8	74,88	SXACM403	63D/71A	4	8000
17,6	127	1,6	74,84	SXHCM253	63D/71A	4	5500
17,5	129	0,8	51,32	SXACM203	71B	6	2000
17,5	129	1,2	51,32	SXACM253	71B	6	4300
17,2	126	1,8	163,05	SXACM303	63B	2	6000
17,2	126	2,9	163,05	SXACM403	63B	2	8000
17,2	130	2,3	76,67	SXHCM303	63D/71A	4	6600
16,9	128	1,8	165,38	SXHCM303	63B	2	6600
16,8	135	1,6	53,59	SXHCM253	71B	6	5500
16,6	140	2,1	54,25	SXHCM302	71B	6	6600
16,0	144	3,6	56,11	SXHCM352	71B	6	8000
15,7	138	1,1	178,61	SXHCM253	63B	2	5500
15,3	148	3,5	58,81	SXHCM353	71B	6	8000
15,2	148	2,0	87,05	SXHCM303	63D/71A	4	6600
15,1	150	1,0	59,65	SXACM253	71B	6	4300
15,0	150	2,0	88,02	SXACM303	63D/71A	4	6000
15,0	150	3,2	88,02	SXACM403	63D/71A	4	8000
14,9	152	2,1	60,25	SXACM303	71B	6	6000
14,9	152	3,3	60,25	SXACM403	71B	6	8000
14,8	156	0,9	60,67	SXACM252	71B	6	4300
14,7	153	1,0	89,94	SXACM253	63D/71A	4	4300
14,6	156	2,0	61,83	SXHCM303	71B	6	6600
14,6	154	3,2	90,51	SXHCM353	63D/71A	4	8000
14,4	150	2,5	194,56	SXHCM353	63B	2	8000
14,0	155	1,5	200,27	SXACM303	63B	2	6000
14,0	155	2,3	200,27	SXACM403	63B	2	8000
13,7	159	1,4	205,07	SXHCM303	63B	2	6600

5.1 SXHC/SXAC GEARED MOTORS (50Hz)

0,25 kW

n2 [rpm]	M2 [Nm]	fs	i	Gear reducer	Motor		Fr2 [N]
					Size	Pole	
13,5	168	1,2	66,78	SXHCM253	71B	6	5500
13,3	169	1,2	99,27	SXHCM253	63D/71A	4	5500
12,9	167	2,2	216,38	SXHCM353	63B	2	8000
12,6	178	0,8	110,51	SXACM253	71A	4	4300
12,5	182	0,9	72,27	SXACM253	71B	6	4300
12,4	183	2,9	72,75	SXHCM353	71B	6	8000
12,3	176	1,3	227,50	SXHCM303	63B	2	6600
12,2	184	1,1	108,05	SXHCM253	63D/71A	4	5500
12,1	185	2,7	108,95	SXHCM353	63D/71A	4	8000
12,0	189	1,7	74,88	SXACM303	71B	6	6000
12,0	189	2,7	74,88	SXACM403	71B	6	8000
12,0	188	1,1	74,84	SXHCM253	71B	6	5500
11,9	182	1,2	235,41	SXACM303	63B	2	6000
11,9	182	2,0	235,41	SXACM403	63B	2	8000
11,8	190	1,6	111,61	SXACM303	63D/71A	4	6000
11,8	190	2,5	111,61	SXACM403	63D/71A	4	8000
11,7	193	1,6	76,67	SXHCM303	71B	6	6600
11,5	195	1,5	114,55	SXHCM303	63D/71A	4	6600
10,7	210	1,0	123,71	SXHCM253	63D/71A	4	5500
10,5	214	1,4	125,69	SXHCM303	63D/71A	4	6600
10,5	207	1,8	267,65	SXHCM353	63B	2	8000
10,3	219	1,4	87,05	SXHCM303	71B	6	6600
10,3	219	3,9	135,40	SXHCM403	71A	4	12000
10,2	222	1,4	88,02	SXACM303	71B	6	6000
10,2	222	2,3	88,02	SXACM403	71B	6	8000
9,9	218	1,0	282,10	SXHCM303	63B	2	6600
9,9	228	2,3	90,51	SXHCM353	71B	6	8000
9,8	220	1,0	284,81	SXACM303	63B	2	6000
9,8	220	1,6	284,81	SXACM403	63B	2	8000
9,8	229	2,2	134,76	SXHCM353	63D/71A	4	8000
9,5	236	1,3	138,71	SXACM303	63D/71A	4	6000
9,5	236	2,0	138,71	SXACM403	63D/71A	4	8000
9,5	239	3,7	94,76	SXHCM403	71B	6	12000
9,3	241	1,2	142,04	SXHCM303	63D/71A	4	6600
9,3	241	3,5	149,51	SXHCM403	71A	4	12000
8,4	267	1,9	157,29	SXHCM353	63D/71A	4	8000
8,3	274	1,9	108,95	SXHCM353	71B	6	8000
8,1	281	1,1	111,61	SXACM303	71B	6	6000
8,1	277	1,1	163,05	SXACM303	63D/71A	4	6000
8,1	281	1,8	111,61	SXACM403	71B	6	8000
8,1	277	1,7	163,05	SXACM403	63D/71A	4	8000
8,1	276	3,1	170,67	SXHCM403	71A	4	12000

0,25 kW

n2 [rpm]	M2 [Nm]	fs	i	Gear reducer	Motor Size	Motor Pole	Fr2 [N]
8,0	281	1,1	165,38	SXHCM303	63D/71A	4	6600
7,9	274	1,3	353,98	SXACM403	63B	2	8000
7,9	288	1,1	114,55	SXHCM303	71B	6	6600
7,6	297	3,0	118,00	SXHCM403	71B	6	12000
7,5	301	2,8	186,18	SXHCM403	71A	4	12000
7,2	317	1,0	125,69	SXHCM303	71B	6	6600
6,8	331	0,9	205,07	SXHCM303	71A	4	6600
6,8	331	1,5	194,56	SXHCM353	63D/71A	4	8000
6,7	339	1,5	134,76	SXHCM353	71B	6	8000
6,6	340	0,9	200,27	SXACM303	63D/71A	4	6000
6,6	340	1,4	200,27	SXACM403	63D/71A	4	8000
6,6	341	2,6	135,40	SXHCM403	71B	6	12000
6,5	349	0,9	138,71	SXACM303	71B	6	6000
6,5	349	1,4	138,71	SXACM403	71B	6	8000
6,5	347	2,4	215,21	SXHCM403	71A	4	12000
6,1	368	1,4	216,38	SXHCM353	63D/71A	4	8000
6,0	377	2,4	149,51	SXHCM403	71B	6	12000
5,9	379	2,2	234,67	SXHCM403	71A	4	12000
5,7	396	1,3	157,29	SXHCM353	71B	6	8000
5,6	400	1,2	235,41	SXACM403	63D/71A	4	8000
5,5	411	0,8	163,05	SXACM303	71B	6	6000
5,5	411	1,2	163,05	SXACM403	71B	6	8000
5,3	430	2,1	170,67	SXHCM403	71B	6	12000
5,2	433	2,0	268,00	SXHCM403	71A	4	12000
4,9	455	1,1	267,65	SXHCM353	63D/71A	4	8000
4,8	469	1,9	186,18	SXHCM403	71B	6	12000
4,6	484	1,0	284,81	SXACM403	63D/71A	4	8000
4,6	490	1,1	194,56	SXHCM353	71B	6	8000
4,5	504	1,0	200,27	SXACM403	71B	6	8000
4,2	545	1,0	216,38	SXHCM353	71B	6	8000
4,2	542	1,6	215,21	SXHCM403	71B	6	12000
3,9	572	0,8	353,98	SXACM403	71A	4	8000
3,8	593	0,9	235,41	SXACM403	71B	6	8000
3,8	591	1,5	234,67	SXHCM403	71B	6	12000
3,4	675	1,3	268,00	SXHCM403	71B	6	12000

0,37 kW

n2 [rpm]	M2 [Nm]	fs	i	Gear reducer	Motor Size	Motor Pole	Fr2 [N]
878,3	4	4,0	3,18	SXACM141	63C	2	522
831,1	4	3,8	3,36	SXACM141	63C/71A	2	532
721,6	5	3,4	3,87	SXACM141	63C/71A	2	558

5.1 SXHC/SXAC GEARED MOTORS (50Hz)

0,37 kW

n2 [rpm]	M2 [Nm]	fs	i	Gear reducer	Motor		Fr2 [N]
					Size	Pole	
662,0	5	3,2	4,21	SXACM141	63C/71A	2	574
587,4	6	2,9	4,75	SXACM141	63C/71A	2	597
587,4	6	4,0	4,75	SXACM191	63C	2	604
547,1	6	2,9	5,10	SXACM141	63C/71A	2	612
541,2	6	3,0	2,55	SXACM141	71B	4	614
511,5	6	2,7	5,45	SXACM141	63C/71A	2	626
511,5	6	3,5	5,45	SXACM191	63C/71A	2	633
468,7	7	2,7	2,94	SXACM141	71B	4	644
468,7	7	3,4	2,94	SXACM191	71B	4	651
442,9	7	2,3	6,30	SXACM141	63C/71A	2	656
440,0	8	3,7	2,00	SXHCM191	71C/80A	6	948
434,4	8	2,5	3,18	SXACM141	71B	4	661
411,1	8	2,4	3,36	SXACM141	71B	4	673
356,9	10	2,2	3,87	SXACM141	71B	4	705
354,3	9	1,8	7,88	SXACM141	63C/71A	2	707
354,3	9	2,0	7,88	SXACM191	63C/71A	2	715
354,3	9	3,2	7,88	SXACM241	63C/71A	2	1970
345,7	10	3,6	2,55	SXHCM191	71C/80A	6	1000
345,1	10	2,0	2,55	SXACM141	71C/80A	6	713
327,5	10	2,0	4,21	SXACM141	71B	4	726
324,2	11	3,3	2,71	SXHCM191	71C/80A	6	1000
298,9	12	1,8	2,94	SXACM141	71C/80A	6	748
298,9	12	2,3	2,94	SXACM191	71C/80A	6	757
298,9	12	3,6	2,94	SXACM241	71C/80A	6	2085
290,5	12	1,9	4,75	SXACM141	71B	4	755
290,5	12	2,5	4,75	SXACM191	71B	4	764
283,4	12	3,8	3,11	SXHCM191	71C	6	1000
277,0	12	1,7	3,18	SXACM141	71C/80A	6	767
276,0	12	3,6	5,00	SXHCM191	71B	4	1000
270,6	13	1,8	5,10	SXACM141	71B	4	773
262,1	13	1,6	3,36	SXACM141	71C/80A	6	782
257,5	13	1,2	10,83	SXACM191	63C/71A	2	795
257,5	13	1,5	10,83	SXACM241	63C/71A	2	2191
253,0	14	1,7	5,45	SXACM141	71B	4	791
253,0	14	2,2	5,45	SXACM191	71B	4	800
253,0	14	3,7	5,45	SXACM241	71B	4	2204
250,9	14	3,7	5,50	SXHCM191	71B	4	1000
245,2	14	3,3	3,59	SXHCM191	71C/80A	6	1000
227,6	15	1,4	3,87	SXACM141	71C/80A	6	819
226,6	15	3,3	6,09	SXHCM191	71B	4	1000
219,0	16	1,5	6,30	SXACM141	71B	4	830
210,6	16	3,9	13,25	SXACM202	63C/71A	2	1177

5.1 SXHC/SXAC GEARED MOTORS (50Hz)

0,37 kW

n ₂ [rpm]	M ₂ [Nm]	f _s	i	Gear reducer	Motor		Fr ₂ [N]
					Size	Pole	
209,5	17	2,9	4,20	SXHCM191	71C/80A	6	1000
208,8	17	1,3	4,21	SXACM141	71C/80A	6	843
185,3	19	1,2	4,75	SXACM141	71C/80A	6	878
185,3	19	1,7	4,75	SXACM191	71C/80A	6	887
185,3	19	2,8	4,75	SXACM241	71C/80A	6	2445
180,0	19	2,6	7,67	SXHCM191	71B	4	1000
176,0	20	2,4	5,00	SXHCM191	71C/80A	6	1000
175,2	20	1,1	7,88	SXACM141	71B	4	894
175,2	20	1,3	7,88	SXACM191	71B	4	904
175,2	20	2,0	7,88	SXACM241	71B	4	2491
172,5	20	1,2	5,10	SXACM141	71C	6	899
170,2	20	3,8	8,11	SXACM202	71B	4	1263
169,2	19	3,1	16,49	SXACM202	63C/71A	2	1266
161,3	21	1,1	5,45	SXACM141	71C	6	919
161,3	21	1,5	5,45	SXACM191	71C/80A	6	929
161,3	21	2,4	5,45	SXACM241	71C/80A	6	2561
160,0	22	2,4	5,50	SXHCM191	71C/80A	6	1000
157,7	22	2,5	8,75	SXHCM191	71B	4	1000
144,5	24	2,2	6,09	SXHCM191	71C/80A	6	1000
139,7	25	1,0	6,30	SXACM141	71C	6	964
137,7	24	2,8	20,26	SXACM202	63C/71A	2	1355
135,0	25	3,3	6,52	SXACM202	71C/80A	6	1364
127,4	27	0,9	10,83	SXACM241	71B	4	2771
126,2	27	3,3	10,94	SXACM202	71B	4	1396
121,3	29	3,3	7,75	SXACM281	80A	6	4215
120,0	29	3,6	7,33	SXHCM241	71C/80A	6	2500
114,8	30	1,7	7,67	SXHCM191	71C/80A	6	1000
113,7	29	2,2	24,55	SXACM202	63C/71A	2	1445
111,7	31	0,8	7,88	SXACM191	71C	6	1050
111,7	31	1,4	7,88	SXACM241	71C	6	2894
108,5	32	2,5	8,11	SXACM202	71C/80A	6	1468
105,1	33	3,2	8,38	SXHCM241	71C/80A	6	2500
104,2	33	2,5	13,25	SXACM202	71B	4	1488
100,6	34	1,7	8,75	SXHCM191	71C/80A	6	1000
99,2	35	4,0	8,87	SXHCM252	71C	6	5404
91,3	36	1,7	30,55	SXACM202	63C/71A	2	1554
91,3	36	2,9	30,55	SXACM252	63C/71A	2	3272
88,1	39	1,9	10,67	SXACM281	80A	6	4500
86,8	39	3,7	10,14	SXHCM252	71C/80A	6	5500
85,7	38	3,9	32,89	SXHCM252	71A	2	5500
83,7	41	2,0	16,49	SXACM202	71B	4	1600
83,7	41	3,5	16,49	SXACM252	71B	4	3369

5.1 SXHC/SXAC GEARED MOTORS (50Hz)

0,37 kW

n ₂ [rpm]	M ₂ [Nm]	f _s	i	Gear reducer	Motor		Fr ₂ [N]
					Size	Pole	
80,5	43	2,2	10,94	SXACM202	71C/80A	6	1621
80,5	43	3,7	10,94	SXACM252	71C/80A	6	3413
78,7	42	1,6	35,44	SXACM202	63C/71A	2	1633
78,7	42	2,7	35,44	SXACM252	63C/71A	2	3438
74,8	46	3,3	11,76	SXHCM252	71C/80A	6	5500
74,4	44	3,4	37,92	SXHCM252	71A	2	5500
68,1	50	1,8	20,26	SXACM202	71B	4	1714
68,1	50	3,0	20,26	SXACM252	71B	4	3608
68,1	48	3,1	41,40	SXHCM252	71A	2	5500
66,4	52	1,6	13,25	SXACM202	71C/80A	6	1728
66,4	52	2,8	13,25	SXACM252	71C/80A	6	3639
64,1	53	3,3	13,72	SXHCM252	71C/80A	6	5500
63,3	52	1,3	44,10	SXACM202	63C/71A	2	1757
63,3	52	2,0	44,10	SXACM252	63C/71A	2	3698
60,8	56	3,6	22,68	SXHCM252	71B	4	5500
60,0	57	3,1	14,66	SXHCM252	71C/80A	6	5500
59,7	55	2,7	47,25	SXHCM252	71A	2	5500
59,3	55	3,8	47,53	SXHCM302	71A	2	6600
57,9	59	3,4	23,83	SXHCM252	71B	4	5500
57,2	57	1,0	48,75	SXACM202	63C/71A	2	1816
57,2	57	1,5	48,75	SXACM252	63C/71A	2	3824
56,2	60	1,4	24,55	SXACM202	71B	4	1827
56,2	60	2,6	24,55	SXACM252	71B	4	3847
56,0	57	3,9	49,80	SXACM303	63C/71A	2	4814
54,4	59	1,3	51,32	SXACM203	63C/71A	2	1848
54,4	59	1,9	51,32	SXACM253	63C/71A	2	3890
53,4	64	1,3	16,49	SXACM202	71C/80A	6	1859
53,4	64	2,3	16,49	SXACM252	71C/80A	6	3914
52,5	65	3,1	16,77	SXHCM252	71C/80A	6	5500
52,3	65	3,1	26,39	SXHCM252	71B	4	5500
52,1	62	2,4	53,59	SXHCM253	63C/71A	2	5500
52,0	63	3,3	54,25	SXHCM302	71A	2	6600
48,4	71	3,0	18,20	SXHCM252	71C/80A	6	5500
46,8	69	1,1	59,65	SXACM203	63C/71A	2	1943
46,8	69	1,6	59,65	SXACM253	63C/71A	2	4090
46,5	73	2,7	29,70	SXHCM252	71B	4	5500
46,3	69	3,3	60,25	SXACM303	63C/71A	2	5129
46,3	74	3,5	19,00	SXHCM302	71C/80A	6	6600
46,0	71	1,0	60,67	SXACM202	63C/71A	2	1954
46,0	71	1,4	60,67	SXACM252	63C/71A	2	4113
45,3	75	3,7	30,45	SXHCM302	71B	4	6600
45,2	75	1,1	30,55	SXACM202	71B	4	1965

0,37 kW

n2 [rpm]	M2 [Nm]	fs	i	Gear reducer	Motor		Fr2 [N]
					Size	Pole	
45,2	75	1,9	30,55	SXACM252	71B	4	4138
45,1	71	3,2	61,83	SXHCM303	63C/71A	2	6600
44,2	77	2,7	19,90	SXHCM252	71C/80A	6	5500
43,4	79	1,2	20,26	SXACM202	71C/80A	6	1991
43,4	79	2,0	20,26	SXACM252	71C/80A	6	4192
42,0	81	2,5	32,89	SXHCM252	71B	4	5500
41,9	82	3,2	21,00	SXHCM302	71C/80A	6	6600
41,8	77	2,0	66,78	SXHCM253	63C/71A	2	5500
40,5	84	3,3	34,10	SXHCM302	71B	4	6600
38,9	87	1,0	35,44	SXACM202	71B	4	2000
38,9	87	1,7	35,44	SXACM252	71B	4	4300
38,8	88	2,4	22,68	SXHCM252	71C/80A	6	5500
38,6	83	1,4	72,27	SXACM253	63C/71A	2	4300
38,0	90	3,0	23,15	SXHCM302	71C/80A	6	6600
37,3	86	2,6	74,88	SXACM303	63C/71A	2	5515
37,3	86	1,7	74,84	SXHCM253	63C/71A	2	5500
37,0	93	3,2	25,43	SXACM302	80A	6	5530
36,9	93	2,3	23,83	SXHCM252	71C/80A	6	5500
36,5	93	3,0	37,76	SXHCM302	71B	4	6600
36,4	93	2,1	37,92	SXHCM252	71B	4	5500
36,4	88	2,6	76,67	SXHCM303	63C/71A	2	6600
35,9	96	0,9	24,55	SXACM202	71C/80A	6	2000
35,9	96	1,7	24,55	SXACM252	71C/80A	6	4300
33,8	101	2,7	26,04	SXHCM302	71C/80A	6	6600
33,3	103	2,0	26,39	SXHCM252	71C/80A	6	5500
33,3	102	2,0	41,40	SXHCM252	71B	4	5500
32,0	107	2,7	27,50	SXHCM302	71C/80A	6	6600
32,0	100	2,2	87,05	SXHCM303	63C/71A	2	6600
31,7	101	2,2	88,02	SXACM303	63C/71A	2	5820
31,7	101	3,6	88,02	SXACM403	63C/71A	2	8000
31,5	108	2,6	43,75	SXHCM302	71B	4	6600
31,4	109	2,9	29,89	SXACM302	80A	6	5836
31,3	108	0,8	44,10	SXACM202	71B	4	2000
31,3	108	1,3	44,10	SXACM252	71B	4	4300
31,0	103	1,1	89,94	SXACM253	63C/71A	2	4300
30,8	104	3,6	90,51	SXHCM353	63C/71A	2	8000
29,6	116	1,8	29,70	SXHCM252	71C/80A	6	5500
29,2	116	1,7	47,25	SXHCM252	71B	4	5500
29,0	117	2,4	47,53	SXHCM302	71B	4	6600
28,9	119	2,5	30,45	SXHCM302	71C/80A	6	6600
28,8	119	1,2	30,55	SXACM252	71C/80A	6	4300
28,3	120	1,0	48,75	SXACM252	71B	4	4300

5.1 SXHC/SXAC GEARED MOTORS (50Hz)

0,37 kW

n2 [rpm]	M2 [Nm]	fs	i	Gear reducer	Motor		Fr2 [N]
					Size	Pole	
28,1	114	1,3	99,27	SXHCM253	63C/71A	2	5500
27,7	120	2,5	49,80	SXACM303	71B	4	6000
26,9	124	0,8	51,32	SXACM203	71B	4	2000
26,9	124	1,2	51,32	SXACM253	71B	4	4300
26,8	128	1,6	32,89	SXHCM252	71C/80A	6	5500
26,0	132	2,4	36,17	SXACM302	80A	6	6000
26,0	132	3,7	36,17	SXACM402	80A	6	8000
25,8	129	1,6	53,59	SXHCM253	71B	4	5500
25,8	124	1,2	108,05	SXHCM253	63C/71A	2	5500
25,8	133	2,2	34,10	SXHCM302	71C/80A	6	6600
25,6	125	3,0	108,95	SXHCM353	63C/71A	2	8000
25,4	133	2,1	54,25	SXHCM302	71B	4	6600
25,0	128	1,8	111,61	SXACM303	63C/71A	2	6000
25,0	128	2,8	111,61	SXACM403	63C/71A	2	8000
24,8	138	1,1	35,44	SXACM252	71C	6	4300
24,6	138	3,6	56,11	SXHCM352	71B	4	8000
24,4	132	1,7	114,55	SXHCM303	63C/71A	2	6600
23,5	142	3,5	58,81	SXHCM353	71B	4	8000
23,3	147	2,0	37,76	SXHCM302	71C/80A	6	6600
23,2	148	1,4	37,92	SXHCM252	71C/80A	6	5500
23,1	144	1,0	59,65	SXACM253	71B	4	4300
22,9	145	2,1	60,25	SXACM303	71B	4	6000
22,9	145	3,3	60,25	SXACM403	71B	4	8000
22,7	149	0,9	60,67	SXACM252	71B	4	4300
22,6	142	1,1	123,71	SXHCM253	63C/71A	2	5500
22,6	152	3,4	38,98	SXHCM352	71C/80A	6	8000
22,3	149	2,0	61,83	SXHCM303	71B	4	6600
22,2	144	1,6	125,69	SXHCM303	63C/71A	2	6600
21,3	161	1,3	41,40	SXHCM252	71C/80A	6	5500
20,9	164	1,8	44,95	SXACM302	80A	6	6000
20,9	164	2,8	44,95	SXACM402	80A	6	8000
20,7	161	1,2	66,78	SXHCM253	71B	4	5500
20,7	155	2,4	134,76	SXHCM353	63C/71A	2	8000
20,1	159	1,4	138,71	SXACM303	63C/71A	2	6000
20,1	159	2,3	138,71	SXACM403	63C/71A	2	8000
20,1	170	1,7	43,75	SXHCM302	71C/80A	6	6600
20,0	172	0,9	44,10	SXACM252	71C	6	4300
19,6	163	1,4	142,04	SXHCM303	63C/71A	2	6600
19,4	177	2,9	45,36	SXHCM352	71C/80A	6	8000
19,1	174	0,9	72,27	SXACM253	71B	4	4300
19,0	175	2,9	72,75	SXHCM353	71B	4	8000
18,9	181	1,7	49,78	SXACM302	80A	6	6000

5.1 SXHC/SXAC GEARED MOTORS (50Hz)

0,37 kW

n ₂ [rpm]	M ₂ [Nm]	f _s	i	Gear reducer	Motor		Fr ₂ [N]
					Size	Pole	
18,9	181	2,1	49,78	SXACM402	80A	6	8000
18,9	170	3,8	149,51	SXHCM403	71A	2	12000
18,6	184	1,1	47,25	SXHCM252	71C/80A	6	5500
18,5	185	1,6	47,53	SXHCM302	71C/80A	6	6600
18,4	180	1,7	74,88	SXACM303	71B	4	6000
18,4	180	2,7	74,88	SXACM403	71B	4	8000
18,4	180	1,1	74,84	SXHCM253	71B	4	5500
18,0	185	1,6	76,67	SXHCM303	71B	4	6600
17,9	191	2,7	49,13	SXHCM352	71C/80A	6	8000
17,7	190	1,7	49,80	SXACM303	71C/80A	6	6000
17,7	190	2,7	49,80	SXACM403	71C/80A	6	8000
17,7	181	2,1	157,29	SXHCM353	63C/71A	2	8000
17,1	196	0,8	51,32	SXACM253	71C	6	4300
17,1	187	1,2	163,05	SXACM303	63C/71A	2	6000
17,1	187	1,9	163,05	SXACM403	63C/71A	2	8000
16,9	190	1,2	165,38	SXHCM303	63C/71A	2	6600
16,5	194	3,3	170,67	SXHCM403	71A	2	12000
16,4	204	1,0	53,59	SXHCM253	71C/80A	6	5500
16,2	211	1,4	54,25	SXHCM302	71C/80A	6	6600
15,9	210	1,4	87,05	SXHCM303	71B	4	6600
15,7	212	1,4	88,02	SXACM303	71B	4	6000
15,7	212	2,3	88,02	SXACM403	71B	4	8000
15,7	218	2,4	56,11	SXHCM352	71C/80A	6	8000
15,2	225	1,4	61,87	SXACM302	80A	6	6000
15,2	225	2,0	61,87	SXACM402	80A	6	8000
15,2	218	2,3	90,51	SXHCM353	71B	4	8000
15,1	212	3,0	186,18	SXHCM403	71A	2	12000
15,0	224	2,3	58,81	SXHCM353	71C/80A	6	8000
14,6	230	1,4	60,25	SXACM303	71C/80A	6	6000
14,6	230	2,2	60,25	SXACM403	71C/80A	6	8000
14,6	228	3,7	94,76	SXHCM403	71B	4	12000
14,3	224	1,7	194,56	SXHCM353	63C/71A	2	8000
14,2	236	1,3	61,83	SXHCM303	71C/80A	6	6600
13,9	230	1,6	200,27	SXACM403	63C/71A	2	8000
13,1	245	2,6	215,21	SXHCM403	71A	2	12000
12,9	249	1,5	216,38	SXHCM353	63C/71A	2	8000
12,7	262	1,9	108,95	SXHCM353	71B	4	8000
12,4	269	1,1	111,61	SXACM303	71B	4	6000
12,4	269	1,8	111,61	SXACM403	71B	4	8000
12,1	277	1,9	72,75	SXHCM353	71C/80A	6	8000
12,0	276	1,1	114,55	SXHCM303	71B	4	6600
12,0	267	2,4	234,67	SXHCM403	71A	2	12000

5.1 SXHC/SXAC GEARED MOTORS (50Hz)

0,37 kW

n ₂ [rpm]	M ₂ [Nm]	f _s	i	Gear reducer	Motor		Fr ₂ [N]
					Size	Pole	
11,9	270	1,3	235,41	SXACM403	63C/71A	2	8000
11,8	285	1,1	74,88	SXACM303	71C/80A	6	6000
11,8	285	1,8	74,88	SXACM403	71C/80A	6	8000
11,7	284	3,0	118,00	SXHCM403	71B	4	12000
11,5	292	1,1	76,67	SXHCM303	71C/80A	6	6600
11,0	303	1,0	125,69	SXHCM303	71B	4	6600
10,5	305	2,1	268,00	SXHCM403	71A	2	12000
10,4	307	1,2	267,65	SXHCM353	63C/71A	2	8000
10,3	327	2,7	85,82	SXHCM403	71C/80A	6	12000
10,2	324	1,5	134,76	SXHCM353	71B	4	8000
10,2	326	2,6	135,40	SXHCM403	71B	4	12000
10,1	332	0,9	87,05	SXHCM303	71C/80A	6	6600
10,0	336	0,9	88,02	SXACM303	71C/80A	6	6000
10,0	336	1,5	88,02	SXACM403	71C/80A	6	8000
9,9	334	0,9	138,71	SXACM303	71B	4	6000
9,9	334	1,4	138,71	SXACM403	71B	4	8000
9,8	327	1,1	284,81	SXACM403	63C/71A	2	8000
9,7	345	1,5	90,51	SXHCM353	71C/80A	6	8000
9,3	361	2,5	94,76	SXHCM403	71C/80A	6	12000
9,2	360	2,4	149,51	SXHCM403	71B	4	12000
8,8	379	1,3	157,29	SXHCM353	71B	4	8000
8,5	392	0,8	163,05	SXACM303	71B	4	6000
8,5	392	1,2	163,05	SXACM403	71B	4	8000
8,1	415	1,3	108,95	SXHCM353	71C/80A	6	8000
8,1	411	2,1	170,67	SXHCM403	71B	4	12000
7,9	425	0,7	111,61	SXACM303	71C/80A	6	6000
7,9	425	1,2	111,61	SXACM403	71C/80A	6	8000
7,5	450	2,0	118,00	SXHCM403	71C/80A	6	12000
7,4	448	1,9	186,18	SXHCM403	71B	4	12000
7,1	468	1,1	194,56	SXHCM353	71B	4	8000
6,9	482	1,0	200,27	SXACM403	71B	4	8000
6,6	507	3,7	142,15	SXHCM503	80A	6	18000
6,5	514	1,0	134,76	SXHCM353	71C/80A	6	8000
6,5	516	1,7	135,40	SXHCM403	71C/80A	6	12000
6,4	521	1,0	216,38	SXHCM353	71B	4	8000
6,4	518	1,6	215,21	SXHCM403	71B	4	12000
6,3	529	1,0	138,71	SXACM403	71C/80A	6	8000
6,1	552	3,4	154,76	SXHCM503	80A	6	18000
5,9	567	0,8	235,41	SXACM403	71B	4	8000
5,9	570	1,6	149,51	SXHCM403	71C/80A	6	12000
5,9	565	1,5	234,67	SXHCM403	71B	4	12000
5,8	579	3,3	162,35	SXHCM503	80A	6	18000

5.1 SXHC/SXAC GEARED MOTORS (50Hz)

0,37 kW

n2 [rpm]	M2 [Nm]	fs	i	Gear reducer	Motor		Fr2 [N]
					Size	Pole	
5,4	622	0,8	163,05	SXACM403	71C/80A	6	8000
5,2	651	1,4	170,67	SXHCM403	71C/80A	6	12000
5,2	639	3,0	179,13	SXHCM503	80A	6	18000
5,1	645	1,3	268,00	SXHCM403	71B	4	12000
4,8	696	2,7	195,07	SXHCM503	80A	6	18000
4,7	710	1,3	186,18	SXHCM403	71C/80A	6	12000
4,2	795	2,4	222,78	SXHCM503	80A	6	18000
4,1	820	1,1	215,21	SXHCM403	71C/80A	6	12000
3,8	895	1,0	234,67	SXHCM403	71C/80A	6	12000
3,5	956	0,9	268,00	SXHCM403	80A	6	12000

0,55 kW

n2 [rpm]	M2 [Nm]	fs	i	Gear reducer	Motor		Fr2 [N]
					Size	Pole	
1102,0	4	3,2	2,55	SXACM141	71B	2	484
954,3	5	2,9	2,94	SXACM141	71B	2	508
954,3	5	3,6	2,94	SXACM191	71B	2	514
884,6	6	2,7	3,18	SXACM141	71B	2	521
837,0	6	2,6	3,36	SXACM141	71B	2	531
726,7	7	2,3	3,87	SXACM141	71B	2	556
685,0	7	3,8	2,00	SXHCM191	71C/80A	4	816
666,8	7	2,1	4,21	SXACM141	71B	2	573
647,0	8	3,7	1,44	SXHCM191	80B	6	830
642,1	8	3,3	1,45	SXACM191	80B	6	586
591,6	8	2,0	4,75	SXACM141	71B	2	596
591,6	8	2,7	4,75	SXACM191	71B	2	603
562,0	9	3,9	5,00	SXHCM191	71B	2	868
551,0	9	1,9	5,10	SXACM141	71B	2	610
538,2	9	3,6	2,55	SXHCM191	71C/80A	4	877
537,3	9	2,0	2,55	SXACM141	71C/80A	4	615
515,2	10	1,8	5,45	SXACM141	71B	2	624
515,2	10	2,4	5,45	SXACM191	71B	2	631
515,2	10	3,9	5,45	SXACM241	71B	2	1739
510,9	10	3,9	5,50	SXHCM191	71B	2	893
504,7	10	3,4	2,71	SXHCM191	71C/80A	4	894
465,3	11	1,8	2,94	SXACM141	71C/80A	4	646
465,3	11	2,3	2,94	SXACM191	71C/80A	4	653
465,3	11	3,7	2,94	SXACM241	71C/80A	4	1799
465,0	11	2,7	2,00	SXHCM191	80B	6	916
461,3	11	3,5	6,09	SXHCM191	71B	2	920
446,0	11	1,6	6,30	SXACM141	71B	2	655
441,2	12	3,8	3,11	SXHCM191	71C/80A	4	930

5.1 SXHC/SXAC GEARED MOTORS (50Hz)

0,55 kW

n2 [rpm]	M2 [Nm]	fs	i	Gear reducer	Motor		Fr2 [N]
					Size	Pole	
431,3	12	1,7	3,18	SXACM141	71C/80A	4	662
408,1	12	1,6	3,36	SXACM141	71C/80A	4	674
381,8	13	3,4	3,59	SXHCM191	71C/80A	4	970
366,5	13	2,8	7,67	SXHCM191	71B	2	984
365,4	14	2,5	2,55	SXHCM191	80B	6	982
364,7	14	1,4	2,55	SXACM141	80B	6	700
356,8	14	1,2	7,88	SXACM141	71B	2	705
356,8	14	1,4	7,88	SXACM191	71B	2	713
356,8	14	2,2	7,88	SXACM241	71B	2	1965
354,3	14	1,5	3,87	SXACM141	71C/80A	4	707
342,6	15	2,4	2,71	SXHCM191	80B	6	1000
326,2	16	2,9	4,20	SXHCM191	71C/80A	4	1000
325,1	16	1,3	4,21	SXACM141	71C/80A	4	728
321,1	15	2,7	8,75	SXHCM191	71B	2	1000
315,8	16	1,3	2,94	SXACM141	80B	6	735
315,8	16	1,6	2,94	SXACM191	80B	6	743
315,8	16	2,6	2,94	SXACM241	80B	6	2047
299,5	17	2,7	3,11	SXHCM191	80B	6	1000
292,8	18	1,2	3,18	SXACM141	80B	6	753
288,4	18	1,2	4,75	SXACM141	71C/80A	4	757
288,4	18	1,7	4,75	SXACM191	71C/80A	4	766
288,4	18	2,8	4,75	SXACM241	71C/80A	4	2110
277,0	19	1,1	3,36	SXACM141	80B	6	767
274,0	19	2,4	5,00	SXHCM191	71C/80A	4	1000
268,6	19	1,2	5,10	SXACM141	71C	4	775
259,2	20	2,4	3,59	SXHCM191	80B	6	1000
256,9	19	3,6	10,94	SXACM202	71B	2	1101
251,2	20	1,1	5,45	SXACM141	71C	4	793
251,2	20	1,5	5,45	SXACM191	71C/80A	4	802
251,2	20	2,5	5,45	SXACM241	71C/80A	4	2209
249,1	20	2,4	5,50	SXHCM191	71C/80A	4	1000
240,5	21	1,0	3,87	SXACM141	80B	6	804
224,9	23	2,2	6,09	SXHCM191	71C/80A	4	1000
221,4	23	2,0	4,20	SXHCM191	80B	6	1000
220,7	23	0,9	4,21	SXACM141	80B	6	828
217,5	23	1,0	6,30	SXACM141	71C	4	832
212,1	23	2,6	13,25	SXACM202	71B	2	1174
210,2	24	3,3	6,52	SXACM202	71C/80A	4	1177
198,0	26	3,9	4,70	SXHCM252	80B	6	4321
195,8	26	0,9	4,75	SXACM141	80B	6	862
195,8	26	1,2	4,75	SXACM191	80B	6	871
195,8	26	2,0	4,75	SXACM241	80B	6	2401

0,55 kW

n ₂ [rpm]	M ₂ [Nm]	f _s	i	Gear reducer	Motor		Fr ₂ [N]
					Size	Pole	
195,0	26	3,8	4,77	SXHCM241	80B	6	2500
186,8	27	3,7	7,33	SXHCM241	71C/80A	4	2500
186,0	28	1,7	5,00	SXHCM191	80B	6	1000
180,6	28	3,2	7,75	SXACM281	80A	4	3691
178,7	29	1,8	7,67	SXHCM191	71C/80A	4	1000
177,1	29	3,6	5,25	SXHCM241	80B	6	2500
174,0	29	0,9	7,88	SXACM191	71C	4	906
174,0	29	1,4	7,88	SXACM241	71C	4	2497
172,9	29	2,9	5,38	SXACM202	80B	6	1256
170,5	30	1,0	5,45	SXACM191	80B	6	912
170,5	30	1,7	5,45	SXACM241	80B	6	2514
170,4	29	2,1	16,49	SXACM202	71B	2	1263
170,4	29	3,7	16,49	SXACM252	71B	2	2658
169,1	30	1,7	5,50	SXHCM191	80B	6	1000
168,9	30	2,5	8,11	SXACM202	71C/80A	4	1266
163,6	31	3,2	8,38	SXHCM241	71C/80A	4	2500
159,8	32	3,3	5,82	SXHCM241	80B	6	2500
156,6	33	1,7	8,75	SXHCM191	71C/80A	4	1000
154,5	33	4,0	8,87	SXHCM252	71C	4	4641
152,7	34	1,6	6,09	SXHCM191	80B	6	1000
149,3	34	3,2	6,23	SXHCM252	80B	6	4682
142,7	36	2,4	6,52	SXACM202	80B	6	1339
138,7	35	1,9	20,26	SXACM202	71B	2	1352
138,7	35	3,2	20,26	SXACM252	71B	2	2847
135,1	37	3,7	10,14	SXHCM252	71C/80A	4	4818
131,3	39	1,8	10,67	SXACM281	80A	4	4106
126,8	41	2,6	7,33	SXHCM241	80B	6	2500
125,3	40	2,2	10,94	SXACM202	71C/80A	4	1399
125,3	40	3,7	10,94	SXACM252	71C/80A	4	2945
123,9	39	3,8	22,68	SXHCM252	71B	2	4948
121,3	42	1,2	7,67	SXHCM191	80B	6	1000
120,0	43	2,2	7,75	SXACM281	80B	6	4230
119,8	43	3,1	7,76	SXHCM252	80B	6	4974
117,9	41	3,6	23,83	SXHCM252	71B	2	5016
116,5	43	3,3	11,76	SXHCM252	71C/80A	4	5016
114,7	44	1,8	8,11	SXACM202	80B	6	1441
114,7	44	3,1	8,11	SXACM252	80B	6	3033
114,5	43	1,5	24,55	SXACM202	71B	2	1442
114,5	43	2,7	24,55	SXACM252	71B	2	3035
111,0	46	2,3	8,38	SXHCM241	80B	6	2500
111,0	46	3,9	8,38	SXHCM281	80B	6	3700
106,5	46	3,3	26,39	SXHCM252	71B	2	5156

0,55 kW

n2 [rpm]	M2 [Nm]	fs	i	Gear reducer	Motor		Fr2 [N]
					Size	Pole	
106,3	48	1,2	8,75	SXHCM191	80B	6	1000
104,9	49	2,8	8,87	SXHCM252	80B	6	5154
103,4	49	1,6	13,25	SXACM202	71C/80A	4	1491
103,4	49	2,9	13,25	SXACM252	71C/80A	4	3140
99,9	50	3,4	13,72	SXHCM252	71C/80A	4	5226
94,6	51	2,9	29,70	SXHCM252	71B	2	5320
93,5	54	3,2	14,66	SXHCM252	71C/80A	4	5317
92,3	53	4,0	30,45	SXHCM302	71B	2	6600
92,0	53	1,1	30,55	SXACM202	71B	2	1551
92,0	53	2,0	30,55	SXACM252	71B	2	3264
91,7	56	2,6	10,14	SXHCM252	80B	6	5338
87,2	59	1,2	10,67	SXACM281	80B	6	4500
85,4	57	2,6	32,89	SXHCM252	71B	2	5463
85,0	60	1,6	10,94	SXACM202	80B	6	1592
85,0	60	2,6	10,94	SXACM252	80B	6	3351
83,1	61	1,3	16,49	SXACM202	71C/80A	4	1604
83,1	61	2,3	16,49	SXACM252	71C/80A	4	3377
82,4	59	3,6	34,10	SXHCM302	71B	2	6600
81,7	62	3,1	16,77	SXHCM252	71C/80A	4	5500
79,3	61	1,1	35,44	SXACM202	71B	2	1629
79,3	61	1,8	35,44	SXACM252	71B	2	3430
79,1	64	2,4	11,76	SXHCM252	80B	6	5500
75,3	67	3,0	18,20	SXHCM252	71C/80A	4	5500
74,4	65	3,2	37,76	SXHCM302	71B	2	6600
74,1	66	2,3	37,92	SXHCM252	71B	2	5500
72,1	70	3,6	19,00	SXHCM302	71C/80A	4	6600
70,2	73	1,2	13,25	SXACM202	80B	6	1697
70,2	73	2,0	13,25	SXACM252	80B	6	3572
68,9	73	2,7	19,90	SXHCM252	71C/80A	4	5500
68,5	74	3,5	13,57	SXHCM302	80B	6	6600
68,4	74	3,9	20,46	SXACM302	80A	4	4504
67,9	72	2,1	41,40	SXHCM252	71B	2	5500
67,8	75	2,4	13,72	SXHCM252	80B	6	5500
67,6	75	1,2	20,26	SXACM202	71C/80A	4	1718
67,6	75	2,0	20,26	SXACM252	71C/80A	4	3617
65,2	77	3,2	21,00	SXHCM302	71C/80A	4	6600
64,2	76	2,8	43,75	SXHCM302	71B	2	6600
64,1	79	3,7	14,50	SXACM302	80B	6	4602
63,7	76	1,4	44,10	SXACM252	71B	2	3689
63,5	80	2,2	14,66	SXHCM252	80B	6	5500
60,4	83	2,4	22,68	SXHCM252	71C/80A	4	5500
59,5	82	1,8	47,25	SXHCM252	71B	2	5500

0,55 kW

n2 [rpm]	M2 [Nm]	fs	i	Gear reducer	Motor		Fr2 [N]
					Size	Pole	
59,2	85	3,1	23,15	SXHCM302	71C/80A	4	6600
59,1	82	2,6	47,53	SXHCM302	71B	2	6600
58,3	87	3,0	15,96	SXHCM302	80B	6	6600
57,6	84	1,0	48,75	SXACM252	71B	2	3815
57,5	88	2,3	23,83	SXHCM252	71C/80A	4	5500
56,4	90	0,9	16,49	SXACM202	80B	6	1825
56,4	90	1,6	16,49	SXACM252	80B	6	3843
56,4	84	2,7	49,80	SXACM303	71B	2	4802
55,8	90	0,9	24,55	SXACM202	71C/80A	4	1832
55,8	90	1,7	24,55	SXACM252	71C/80A	4	3856
55,5	92	2,2	16,77	SXHCM252	80B	6	5500
55,1	92	3,1	25,43	SXACM302	80A	4	4842
55,0	93	3,4	16,91	SXACM302	80B	6	4844
54,8	87	1,3	51,32	SXACM253	71B	2	3881
52,6	96	2,7	26,04	SXHCM302	71C/80A	4	6600
52,4	91	1,7	53,59	SXHCM253	71B	2	5500
51,9	97	2,1	26,39	SXHCM252	71C/80A	4	5500
51,8	94	2,2	54,25	SXHCM302	71B	2	6600
51,1	100	2,1	18,20	SXHCM252	80B	6	5500
50,1	97	3,8	56,11	SXHCM352	71B	2	8000
49,8	101	2,8	27,50	SXHCM302	71C/80A	4	6600
48,9	104	2,5	19,00	SXHCM302	80B	6	6600
47,8	100	3,8	58,81	SXHCM353	71B	2	8000
47,1	101	1,1	59,65	SXACM253	71B	2	4080
46,8	108	2,8	29,89	SXACM302	80A	4	5110
46,7	109	1,9	19,90	SXHCM252	80B	6	5500
46,6	102	2,2	60,25	SXACM303	71B	2	5117
46,6	102	3,5	60,25	SXACM403	71B	2	7553
46,1	109	1,8	29,70	SXHCM252	71C/80A	4	5500
45,9	111	0,9	20,26	SXACM202	80B	6	1955
45,9	111	1,4	20,26	SXACM252	80B	6	4116
45,5	112	2,7	20,46	SXACM302	80B	6	5162
45,4	105	2,1	61,83	SXHCM303	71B	2	6600
45,0	112	2,5	30,45	SXHCM302	71C/80A	4	6600
44,9	112	1,2	30,55	SXACM252	71C/80A	4	4148
44,3	115	2,3	21,00	SXHCM302	80B	6	6600
42,1	113	1,3	66,78	SXHCM253	71B	2	5500
41,7	121	1,7	32,89	SXHCM252	71C/80A	4	5500
41,0	124	1,7	22,68	SXHCM252	80B	6	5500
40,2	127	2,2	23,15	SXHCM302	80B	6	6600
40,2	126	2,2	34,10	SXHCM302	71C/80A	4	6600
39,0	131	1,6	23,83	SXHCM252	80B	6	5500

5.1 SXHC/SXAC GEARED MOTORS (50Hz)

0,55 kW

n ₂ [rpm]	M ₂ [Nm]	f _s	i	Gear reducer	Motor		Fr ₂ [N]
					Size	Pole	
38,7	130	1,2	35,44	SXACM252	71C	4	4300
38,7	130	2,3	36,17	SXACM302	80A	4	5445
38,7	130	3,6	36,17	SXACM402	80A	4	8000
38,6	123	3,0	72,75	SXHCM353	71B	2	8000
37,9	134	1,2	24,55	SXACM252	80B	6	4300
37,6	135	3,6	24,71	SXHCM352	80B	6	8000
37,5	127	1,8	74,88	SXACM303	71B	2	5502
37,5	127	2,8	74,88	SXACM403	71B	2	8000
37,5	127	1,2	74,84	SXHCM253	71B	2	5500
36,6	139	2,1	25,43	SXACM302	80B	6	5549
36,6	139	3,2	25,43	SXACM402	80B	6	8000
36,6	130	1,7	76,67	SXHCM303	71B	2	6600
36,3	139	2,0	37,76	SXHCM302	71C/80A	4	6600
36,1	140	1,4	37,92	SXHCM252	71C/80A	4	5500
35,7	143	1,9	26,04	SXHCM302	80B	6	6600
35,5	143	3,6	26,18	SXHCM352	80B	6	8000
35,2	145	1,5	26,39	SXHCM252	80B	6	5500
35,1	143	3,4	38,98	SXHCM352	71C/80A	4	8000
33,8	151	2,0	27,50	SXHCM302	80B	6	6600
33,1	152	1,3	41,40	SXHCM252	71C/80A	4	5500
32,7	156	3,3	28,44	SXHCM352	80B	6	8000
32,3	148	1,5	87,05	SXHCM303	71B	2	6600
31,9	149	1,5	88,02	SXACM303	71B	2	5807
31,9	149	2,4	88,02	SXACM403	71B	2	8000
31,3	163	1,3	29,70	SXHCM252	80B	6	5500
31,3	161	1,7	43,75	SXHCM302	71C/80A	4	6600
31,1	162	0,9	44,10	SXACM252	71C	4	4300
31,1	164	1,9	29,89	SXACM302	80B	6	5857
31,1	162	1,7	44,95	SXACM302	80A	4	5855
31,1	164	2,9	29,89	SXACM402	80B	6	8000
31,1	162	2,7	44,95	SXACM402	80A	4	8000
31,0	153	2,4	90,51	SXHCM353	71B	2	8000
30,5	167	1,8	30,45	SXHCM302	80B	6	6600
30,4	167	0,9	30,55	SXACM252	80B	6	4300
30,2	167	2,9	45,36	SXHCM352	71C/80A	4	8000
29,7	161	4,0	94,76	SXHCM403	71B	2	12000
29,5	173	3,0	31,52	SXHCM352	80B	6	8000
29,0	174	1,2	47,25	SXHCM252	71C/80A	4	5500
28,8	175	1,6	47,53	SXHCM302	71C/80A	4	6600
28,3	180	1,2	32,89	SXHCM252	80B	6	5500
28,2	181	2,8	33,00	SXHCM352	80B	6	8000
28,1	179	1,7	49,78	SXACM302	80A	4	6000

5.1 SXHC/SXAC GEARED MOTORS (50Hz)

0,55 kW

n ₂ [rpm]	M ₂ [Nm]	f _s	i	Gear reducer	Motor		Fr ₂ [N]
					Size	Pole	
28,1	179	2,1	49,78	SXACM402	80A	4	8000
27,9	181	2,7	49,13	SXHCM352	71C/80A	4	8000
27,5	179	1,7	49,80	SXACM303	71C/80A	4	6000
27,5	179	2,7	49,80	SXACM403	71C/80A	4	8000
27,3	187	1,6	34,10	SXHCM302	80B	6	6600
26,7	185	0,8	51,32	SXACM253	71C	4	4300
25,8	185	2,0	108,95	SXHCM353	71B	2	8000
25,7	198	1,6	36,17	SXACM302	80B	6	6000
25,7	198	2,5	36,17	SXACM402	80B	6	8000
25,6	193	1,0	53,59	SXHCM253	71C/80A	4	5500
25,3	200	1,4	54,25	SXHCM302	71C/80A	4	6600
25,2	189	1,2	111,61	SXACM303	71B	2	6000
25,2	189	1,9	111,61	SXACM403	71B	2	8000
24,6	207	1,4	37,76	SXHCM302	80B	6	6600
24,5	208	1,0	37,92	SXHCM252	80B	6	5500
24,5	194	1,2	114,55	SXHCM303	71B	2	6600
24,4	207	2,4	56,11	SXHCM352	71C/80A	4	8000
23,9	213	2,4	38,98	SXHCM352	80B	6	8000
23,8	200	3,2	118,00	SXHCM403	71B	2	12000
23,3	212	2,4	58,81	SXHCM353	71C/80A	4	8000
22,7	217	1,4	60,25	SXACM303	71C/80A	4	6000
22,7	217	2,2	60,25	SXACM403	71C/80A	4	8000
22,6	223	1,3	61,87	SXACM302	80A	4	6000
22,6	223	2,0	61,87	SXACM402	80A	4	8000
22,5	227	0,9	41,40	SXHCM252	80B	6	5500
22,4	213	1,1	125,69	SXHCM303	71B	2	6600
22,2	223	1,3	61,83	SXHCM303	71C/80A	4	6600
21,3	240	1,2	43,75	SXHCM302	80B	6	6600
20,9	228	1,6	134,76	SXHCM353	71B	2	8000
20,8	230	2,8	135,40	SXHCM403	71B	2	12000
20,7	246	1,2	44,95	SXACM302	80B	6	6000
20,7	246	1,9	44,95	SXACM402	80B	6	8000
20,5	248	2,1	45,36	SXHCM352	80B	6	8000
20,3	235	1,5	138,71	SXACM403	71B	2	8000
20,2	252	3,5	46,06	SXHCM402	80B	6	12000
19,6	260	1,1	47,53	SXHCM302	80B	6	6600
18,9	269	1,9	49,13	SXHCM352	80B	6	8000
18,8	262	1,9	72,75	SXHCM353	71C/80A	4	8000
18,8	254	2,5	149,51	SXHCM403	71B	2	12000
18,7	273	1,2	49,78	SXACM302	80B	6	6000
18,7	267	1,2	49,80	SXACM303	80B	6	6000
18,7	273	1,4	49,78	SXACM402	80B	6	8000

5.1 SXHC/SXAC GEARED MOTORS (50Hz)

0,55 kW

n2 [rpm]	M2 [Nm]	fs	i	Gear reducer	Motor		Fr2 [N]
					Size	Pole	
18,7	267	1,9	49,80	SXACM403	80B	6	8000
18,3	270	1,1	74,88	SXACM303	71C/80A	4	6000
18,3	270	1,8	74,88	SXACM403	71C/80A	4	8000
17,9	276	1,1	76,67	SXHCM303	71C/80A	4	6600
17,9	267	1,4	157,29	SXHCM353	71B	2	8000
17,2	276	0,8	163,05	SXACM303	71B	2	6000
17,2	276	1,3	163,05	SXACM403	71B	2	8000
17,1	297	1,0	54,25	SXHCM302	80B	6	6600
16,6	307	1,7	56,11	SXHCM352	80B	6	8000
16,5	289	2,2	170,67	SXHCM403	71B	2	12000
16,0	309	2,7	85,82	SXHCM403	71C/80A	4	12000
15,8	315	1,7	58,81	SXHCM353	80B	6	8000
15,7	314	1,0	87,05	SXHCM303	71C/80A	4	6600
15,6	317	0,9	88,02	SXACM303	71C/80A	4	6000
15,6	317	1,5	88,02	SXACM403	71C/80A	4	8000
15,4	323	1,0	60,25	SXACM303	80B	6	6000
15,4	323	1,6	60,25	SXACM403	80B	6	8000
15,1	326	1,5	90,51	SXHCM353	71C/80A	4	8000
15,1	316	2,0	186,18	SXHCM403	71B	2	12000
15,0	339	0,9	61,87	SXACM302	80B	6	6000
15,0	339	1,4	61,87	SXACM402	80B	6	8000
15,0	332	1,0	61,83	SXHCM303	80B	6	6600
14,5	341	2,5	94,76	SXHCM403	71C/80A	4	12000
14,4	330	1,1	194,56	SXHCM353	71B	2	8000
14,0	340	1,1	200,27	SXACM403	71B	2	8000
13,1	365	1,7	215,21	SXHCM403	71B	2	12000
13,0	367	1,0	216,38	SXHCM353	71B	2	8000
12,8	390	1,3	72,75	SXHCM353	80B	6	8000
12,6	393	1,3	108,95	SXHCM353	71C/80A	4	8000
12,4	402	1,3	74,88	SXACM403	80B	6	8000
12,3	402	0,7	111,61	SXACM303	71C/80A	4	6000
12,3	402	1,2	111,61	SXACM403	71C/80A	4	8000
12,0	398	1,6	234,67	SXHCM403	71B	2	12000
11,9	399	0,9	235,41	SXACM403	71B	2	8000
11,6	425	2,0	118,00	SXHCM403	71C/80A	4	12000
10,8	460	1,9	85,82	SXHCM403	80B	6	12000
10,6	472	1,1	88,02	SXACM403	80B	6	8000
10,5	454	1,4	268,00	SXHCM403	71B	2	12000
10,3	485	1,1	90,51	SXHCM353	80B	6	8000
10,2	486	1,0	134,76	SXHCM353	71C/80A	4	8000
10,1	488	1,7	135,40	SXHCM403	71C/80A	4	12000
9,9	500	1,0	138,71	SXACM403	71C/80A	4	8000

0,55 kW

n2 [rpm]	M2 [Nm]	fs	i	Gear reducer	Motor Size	Pole	Fr2 [N]
9,8	508	1,8	94,76	SXHCM403	80B	6	12000
9,8	501	3,6	142,15	SXHCM503	80A	4	18000
9,5	526	3,6	98,09	SXHCM503	80B	6	18000
9,2	539	1,6	149,51	SXHCM403	71C/80A	4	12000
9,0	546	3,3	154,76	SXHCM503	80A	4	18000
8,6	573	3,1	162,35	SXHCM503	80A	4	18000
8,4	588	0,8	163,05	SXACM403	71C/80A	4	8000
8,3	598	0,8	111,61	SXACM403	80B	6	8000
8,2	605	3,1	112,78	SXHCM503	80B	6	18000
8,0	615	1,4	170,67	SXHCM403	71C/80A	4	12000
7,9	633	1,4	118,00	SXHCM403	80B	6	12000
7,8	632	2,8	179,13	SXHCM503	80A	4	18000
7,5	667	2,8	124,44	SXHCM503	80B	6	18000
7,4	671	1,3	186,18	SXHCM403	71C/80A	4	12000
7,2	688	2,6	195,07	SXHCM503	80A	4	18000
6,9	726	1,2	135,40	SXHCM403	80B	6	12000
6,5	762	2,5	142,15	SXHCM503	80B	6	18000
6,4	776	1,1	215,21	SXHCM403	71C/80A	4	12000
6,3	786	2,3	222,78	SXHCM503	80A	4	18000
6,2	802	1,1	149,51	SXHCM403	80B	6	12000
6,0	830	2,3	154,76	SXHCM503	80B	6	18000
5,8	846	1,0	234,67	SXHCM403	71C/80A	4	12000
5,7	871	2,2	162,35	SXHCM503	80B	6	18000
5,4	915	1,0	170,67	SXHCM403	80B	6	12000
5,2	961	2,0	179,13	SXHCM503	80B	6	18000
4,8	1046	1,8	195,07	SXHCM503	80B	6	18000
4,2	1195	1,6	222,78	SXHCM503	80B	6	18000

0,75 kW

n2 [rpm]	M2 [Nm]	fs	i	Gear reducer	Motor Size	Pole	Fr2 [N]
1098,0	6	2,3	2,55	SXACM141	71C/80A	2	485
1031,6	6	3,9	2,71	SXHCM191	71C/80A	2	713
987,4	7	3,6	1,45	SXACM191	80B	4	508
973,9	7	3,9	1,44	SXHCM191	80B ⁽¹⁾	4	724
950,9	7	2,1	2,94	SXACM141	71C/80A	2	509
950,9	7	2,7	2,94	SXACM191	71C/80A	2	514
881,5	8	2,0	3,18	SXACM141	71C/80A	2	522
834,0	8	1,9	3,36	SXACM141	71C/80A	2	531
780,3	9	3,9	3,59	SXHCM191	71C/80A	2	775
724,1	9	1,7	3,87	SXACM141	71C/80A	2	557
715,0	10	2,9	2,00	SXHCM191	80B	4	794

⁽¹⁾ Available only with brake motor (TBS)

0,75 kW

n2 [rpm]	M2 [Nm]	fs	i	Gear reducer	Motor		Fr2 [N]
					Size	Pole	
666,7	10	3,4	4,20	SXHCM191	71C/80A	2	812
664,4	10	1,6	4,21	SXACM141	71C/80A	2	573
640,0	11	2,7	1,44	SXHCM191	80C/90S	6	819
635,2	11	2,4	1,45	SXACM191	80C	6	588
635,2	11	3,8	1,45	SXACM241	80C/90S	6	1622
589,5	11	1,5	4,75	SXACM141	71C/80A	2	597
589,5	11	2,0	4,75	SXACM191	71C/80A	2	603
589,5	11	3,3	4,75	SXACM241	71C/80A	2	1663
560,0	12	2,8	5,00	SXHCM191	71C/80A	2	854
550,0	13	2,7	2,55	SXHCM191	80B	4	856
549,0	13	1,5	2,55	SXACM141	80B	4	611
549,0	12	1,4	5,10	SXACM141	71C ⁽¹⁾	2	611
526,8	13	2,6	2,71	SXHCM191	80B	4	867
513,3	13	1,3	5,45	SXACM141	71C ⁽¹⁾	2	625
513,3	13	1,7	5,45	SXACM191	71C/80A	2	632
513,3	13	2,9	5,45	SXACM241	71C/80A	2	1741
509,1	13	2,8	5,50	SXHCM191	71C/80A	2	877
475,5	15	1,4	2,94	SXACM141	80B	4	641
475,5	15	1,7	2,94	SXACM191	80B	4	648
475,5	15	2,7	2,94	SXACM241	80B	4	1786
460,5	15	2,9	3,11	SXHCM191	80B	4	900
460,0	15	1,9	2,00	SXHCM191	80C/90S	6	900
459,7	15	2,6	6,09	SXHCM191	71C/80A	2	903
444,4	15	1,1	6,30	SXACM141	71C ⁽¹⁾	2	656
440,7	16	1,3	3,18	SXACM141	80B	4	657
429,6	15	3,9	6,52	SXACM202	71C/80A	2	928
417,0	17	1,2	3,36	SXACM141	80B	4	670
390,2	18	2,5	3,59	SXHCM191	80B	4	942
369,8	19	1,1	3,87	SXACM141	80B	4	697
366,5	18	3,7	7,75	SXACM281	80A	2	2916
365,2	18	2,0	7,67	SXHCM191	71C/80A	2	962
361,4	19	1,8	2,55	SXHCM191	80C/90S	6	961
360,8	19	1,0	2,55	SXACM141	80C	6	703
355,6	19	1,6	7,88	SXACM241	71C ⁽¹⁾	2	1968
345,2	19	2,9	8,11	SXACM202	71C/80A	2	998
338,9	21	1,7	2,71	SXHCM191	80C/90S	6	977
334,3	20	3,7	8,38	SXHCM241	71C/80A	2	2500
333,3	21	2,2	4,20	SXHCM191	80B	4	982
332,2	21	1,0	4,21	SXACM141	80B	4	722
320,0	21	2,0	8,75	SXHCM191	71C/80A	2	996
312,5	22	0,9	2,94	SXACM141	80C	6	737
312,5	22	1,2	2,94	SXACM191	80C	6	746

⁽¹⁾ Available only with brake motor (TBS)

5.1 SXHC/SXAC GEARED MOTORS (50Hz)

0,75 kW

n2 [rpm]	M2 [Nm]	fs	i	Gear reducer	Motor		Fr2 [N]
					Size	Pole	
312,5	22	1,9	2,94	SXACM241	80C/90S	6	2054
296,3	24	2,0	3,11	SXHCM191	80C/90S	6	1000
294,7	24	0,9	4,75	SXACM141	80B	4	752
294,7	24	1,3	4,75	SXACM191	80B	4	760
294,7	24	2,1	4,75	SXACM241	80B	4	2095
290,5	24	3,7	3,17	SXHCM241	80C/90S	6	2500
289,6	24	0,9	3,18	SXACM141	80C	6	756
280,0	25	1,8	5,00	SXHCM191	80B	4	1000
274,0	26	0,8	3,36	SXACM141	80C	6	770
272,4	26	3,9	5,25	SXHCM241	80B	4	2500
266,3	25	2,1	10,67	SXACM281	80A	2	3243
265,8	26	3,1	5,38	SXACM202	80B	4	1089
262,2	27	1,1	5,45	SXACM191	80B	4	790
262,2	27	1,9	5,45	SXACM241	80B	4	2178
260,0	27	1,9	5,50	SXHCM191	80B	4	1000
256,4	27	1,7	3,59	SXHCM191	80C/90S	6	1000
256,0	26	2,6	10,94	SXACM202	71C/80A	2	1102
249,5	28	3,4	3,69	SXHCM241	80C/90S	6	2500
240,6	29	3,5	5,82	SXHCM241	80B	4	2500
238,1	28	3,9	11,76	SXHCM252	71C/80A	2	4028
234,8	30	1,7	6,09	SXHCM191	80B	4	1000
230,0	31	3,1	4,00	SXHCM241	80C/90S	6	2500
224,7	31	3,4	6,23	SXHCM252	80B	4	4083
219,0	32	1,5	4,20	SXHCM191	80C/90S	6	1000
214,8	32	2,5	6,52	SXACM202	80B	4	1169
211,3	31	1,9	13,25	SXACM202	71C/80A	2	1175
211,3	31	3,3	13,25	SXACM252	71C/80A	2	2474
209,8	33	3,5	4,38	SXACM281	80C/90S	6	3511
204,1	33	3,9	13,72	SXHCM252	71C/80A	2	4205
195,9	35	2,8	4,70	SXHCM252	80C/90S	6	4236
195,0	36	2,8	7,33	SXHCM241	80B	4	2500
193,7	36	0,9	4,75	SXACM191	80C	6	874
193,7	36	1,4	4,75	SXACM241	80C/90S	6	2409
192,9	36	2,7	4,77	SXHCM241	80C/90S	6	2500
191,0	35	3,7	14,66	SXHCM252	71C/80A	2	4282
184,5	38	2,4	7,75	SXACM281	80B	4	3665
184,0	38	1,2	5,00	SXHCM191	80C/90S	6	1000
182,6	38	1,3	7,67	SXHCM191	80B	4	1000
180,4	38	3,3	7,76	SXHCM252	80B	4	4336
175,2	40	2,6	5,25	SXHCM241	80C/90S	6	2500
172,6	40	1,9	8,11	SXACM202	80B	4	1257
172,6	40	3,3	8,11	SXACM252	80B	4	2647

5.1 SXHC/SXAC GEARED MOTORS (50Hz)

0,75 kW

n ₂ [rpm]	M ₂ [Nm]	f _s	i	Gear reducer	Motor		Fr ₂ [N]
					Size	Pole	
171,0	41	2,1	5,38	SXACM202	80C	6	1261
171,0	41	3,6	5,38	SXACM252	80C/90S	6	2655
169,8	39	1,5	16,49	SXACM202	71C/80A	2	1264
169,8	39	2,7	16,49	SXACM252	71C/80A	2	2661
168,7	42	1,3	5,45	SXACM241	80C/90S	6	2523
167,3	42	1,3	5,50	SXHCM191	80C/90S	6	1000
167,2	42	2,4	8,38	SXHCM241	80B	4	2500
167,0	40	3,6	16,77	SXHCM252	71C/80A	2	4441
163,4	43	1,3	8,75	SXHCM191	80B	4	1000
158,1	44	2,4	5,82	SXHCM241	80C/90S	6	2500
157,9	44	3,0	8,87	SXHCM252	80B	4	4492
153,8	43	3,5	18,20	SXHCM252	71C/80A	2	4539
151,0	46	1,1	6,09	SXHCM191	80C/90S	6	1000
147,7	47	2,3	6,23	SXHCM252	80C/90S	6	4566
141,2	49	1,7	6,52	SXACM202	80C	6	1344
141,2	49	3,0	6,52	SXACM252	80C/90S	6	2830
140,7	47	3,2	19,90	SXHCM252	71C/80A	2	4646
138,2	48	1,4	20,26	SXACM202	71C/80A	2	1354
138,2	48	2,3	20,26	SXACM252	71C/80A	2	2850
138,0	50	2,8	10,14	SXHCM252	80B	4	4651
133,3	50	3,8	21,00	SXHCM302	71C/80A	2	6087
131,3	53	1,3	10,67	SXACM281	80B	4	4106
128,0	54	1,7	10,94	SXACM202	80B	4	1389
128,0	54	2,8	10,94	SXACM252	80B	4	2924
128,0	54	3,1	7,19	SXHCM302	80C/90S	6	6138
125,5	56	1,9	7,33	SXHCM241	80C/90S	6	2500
125,5	56	3,2	7,33	SXHCM281	80C/90S	6	3700
123,5	54	2,8	22,68	SXHCM252	71C/80A	2	4804
122,6	57	0,9	7,67	SXHCM191	90S	6	1000
121,0	55	3,6	23,15	SXHCM302	71C/80A	2	6257
119,0	58	2,5	11,76	SXHCM252	80B	4	4827
118,7	59	1,6	7,75	SXACM281	80C/90S	6	4245
118,5	59	2,2	7,76	SXHCM252	80C/90S	6	4826
117,5	56	2,7	23,83	SXHCM252	71C/80A	2	4864
114,1	58	1,1	24,55	SXACM202	71C/80A	2	1443
114,1	58	2,0	24,55	SXACM252	71C/80A	2	3038
113,4	61	1,3	8,11	SXACM202	80C	6	1446
113,4	61	2,2	8,11	SXACM252	80C/90S	6	3044
110,5	60	3,5	25,43	SXACM302	80A	2	3839
109,9	64	1,6	8,38	SXHCM241	80C/90S	6	2500
109,9	64	2,8	8,38	SXHCM281	80C/90S	6	3700
107,5	62	3,2	26,04	SXHCM302	71C/80A	2	6466

0,75 kW

n2 [rpm]	M2 [Nm]	fs	i	Gear reducer	Motor		Fr2 [N]
					Size	Pole	
106,1	63	2,4	26,39	SXHCM252	71C/80A	2	4987
105,7	65	1,2	13,25	SXACM202	80B	4	1481
105,7	65	2,2	13,25	SXACM252	80B	4	3117
103,8	67	2,0	8,87	SXHCM252	80C/90S	6	4983
103,2	67	3,3	8,91	SXHCM302	80C/90S	6	6515
103,2	67	3,8	13,57	SXHCM302	80B	4	6521
102,0	67	2,5	13,72	SXHCM252	80B	4	5010
101,8	65	3,2	27,50	SXHCM302	71C/80A	2	6564
96,6	71	3,9	14,50	SXACM302	80B ⁽¹⁾	4	4015
95,5	72	2,4	14,66	SXHCM252	80B	4	5088
94,3	70	2,1	29,70	SXHCM252	71C/80A	2	5130
94,0	71	3,2	29,89	SXACM302	80A	2	4051
91,9	72	2,9	30,45	SXHCM302	71C/80A	2	6600
91,7	72	1,5	30,55	SXACM252	71C/80A	2	3268
90,7	77	1,9	10,14	SXHCM252	80C/90S	6	5141
89,2	78	3,2	10,31	SXHCM302	80C/90S	6	6600
87,7	78	3,2	15,96	SXHCM302	80B	4	6600
86,3	81	0,9	10,67	SXACM281	80C/90S	6	4500
85,1	78	1,9	32,89	SXHCM252	71C/80A	2	5252
84,9	81	1,0	16,49	SXACM202	80B	4	1593
84,9	81	1,7	16,49	SXACM252	80B	4	3353
84,1	83	1,1	10,94	SXACM202	80C	6	1597
84,1	83	1,9	10,94	SXACM252	80C/90S	6	3363
83,5	82	2,3	16,77	SXHCM252	80B	4	5245
82,8	83	3,6	16,91	SXACM302	80B	4	4227
82,1	81	2,6	34,10	SXHCM302	71C/80A	2	6600
79,0	84	1,3	35,44	SXACM252	71C ⁽¹⁾	2	3434
78,9	88	3,3	11,67	SXACM302	80C/90S	6	4295
78,2	89	1,7	11,76	SXHCM252	80C/90S	6	5311
78,0	89	2,9	11,80	SXHCM302	80C/90S	6	6600
77,7	85	2,6	36,17	SXACM302	80A	2	4317
76,9	89	2,2	18,20	SXHCM252	80B	4	5339
74,1	89	2,3	37,76	SXHCM302	71C/80A	2	6600
73,8	90	1,7	37,92	SXHCM252	71C/80A	2	5419
73,7	93	2,7	19,00	SXHCM302	80B	4	6600
71,8	92	4,0	38,98	SXHCM352	71C/80A	2	8000
70,4	98	2,0	19,90	SXHCM252	80B	4	5440
69,4	100	0,8	13,25	SXACM202	80C	6	1703
69,4	100	1,5	13,25	SXACM252	80C/90S	6	3585
69,1	100	0,9	20,26	SXACM202	80B	4	1706
69,1	100	1,5	20,26	SXACM252	80B	4	3591
68,4	100	2,9	20,46	SXACM302	80B	4	4504

⁽¹⁾ Available only with brake motor (TBS)

0,75 kW

n ₂ [rpm]	M ₂ [Nm]	f _s	i	Gear reducer	Motor		Fr ₂ [N]
					Size	Pole	
67,8	102	2,6	13,57	SXHCM302	80C/90S	6	6600
67,6	98	1,5	41,40	SXHCM252	71C/80A	2	5500
67,1	104	1,7	13,72	SXHCM252	80C/90S	6	5482
66,7	103	2,4	21,00	SXHCM302	80B	4	6600
64,0	104	2,0	43,75	SXHCM302	71C/80A	2	6600
63,5	105	1,0	44,10	SXACM252	71C ⁽¹⁾	2	3694
63,4	109	2,7	14,50	SXACM302	80C/90S	6	4618
62,8	111	1,6	14,66	SXHCM252	80C/90S	6	5500
62,5	106	2,0	44,95	SXACM302	80A	2	4641
62,5	106	3,1	44,95	SXACM402	80A	2	6850
61,7	111	1,8	22,68	SXHCM252	80B	4	5500
61,7	108	3,4	45,36	SXHCM352	71C/80A	2	8000
60,5	114	2,3	23,15	SXHCM302	80B	4	6600
59,3	112	1,3	47,25	SXHCM252	71C/80A	2	5500
58,9	113	1,9	47,53	SXHCM302	71C/80A	2	6600
58,7	117	1,7	23,83	SXHCM252	80B	4	5500
57,6	120	2,2	15,96	SXHCM302	80C/90S	6	6600
57,0	121	1,3	24,55	SXACM252	80B	4	3828
57,0	116	3,2	49,13	SXHCM352	71C/80A	2	8000
56,7	121	3,9	24,71	SXHCM352	80B	4	8000
56,5	118	1,9	49,78	SXACM302	80A	2	4802
56,5	118	2,4	49,78	SXACM402	80A	2	7087
56,2	116	1,9	49,80	SXACM303	71C/80A	2	4808
56,2	116	3,1	49,80	SXACM403	71C/80A	2	7097
55,8	124	1,2	16,49	SXACM252	80C/90S	6	3856
55,4	125	3,8	16,59	SXHCM352	80C/90S	6	8000
55,1	125	2,2	25,43	SXACM302	80B	4	4842
55,1	125	3,4	25,43	SXACM402	80B	4	7147
54,9	127	1,6	16,77	SXHCM252	80C/90S	6	5500
54,4	128	2,5	16,91	SXACM302	80C/90S	6	4861
53,8	128	2,0	26,04	SXHCM302	80B	4	6600
53,5	129	3,8	26,18	SXHCM352	80B	4	8000
53,0	130	1,5	26,39	SXHCM252	80B	4	5500
52,2	124	1,2	53,59	SXHCM253	71C/80A	2	5500
51,6	129	1,6	54,25	SXHCM302	71C/80A	2	6600
51,1	136	3,6	18,00	SXHCM352	80C/90S	6	8000
50,9	135	2,1	27,50	SXHCM302	80B	4	6600
50,5	137	1,5	18,20	SXHCM252	80C/90S	6	5500
49,9	133	2,8	56,11	SXHCM352	71C/80A	2	8000
49,2	140	3,5	28,44	SXHCM352	80B	4	8000
48,4	143	1,8	19,00	SXHCM302	80C/90S	6	6600
47,6	136	2,7	58,81	SXHCM353	71C/80A	2	8000

⁽¹⁾ Available only with brake motor (TBS)

5.1 SXHC/SXAC GEARED MOTORS (50Hz)

0,75 kW

n ₂ [rpm]	M ₂ [Nm]	f _s	i	Gear reducer	Motor		Fr ₂ [N]
					Size	Pole	
47,1	146	1,4	29,70	SXHCM252	80B	4	5500
46,8	147	2,0	29,89	SXACM302	80B	4	5110
46,8	147	3,1	29,89	SXACM402	80B	4	7543
46,5	140	1,6	60,25	SXACM303	71C/80A	2	5123
46,5	140	2,6	60,25	SXACM403	71C/80A	2	7562
46,2	150	1,4	19,90	SXHCM252	80C/90S	6	5500
46,1	151	3,2	19,97	SXHCM352	80C/90S	6	8000
46,0	150	1,9	30,45	SXHCM302	80B	4	6600
45,8	150	0,9	30,55	SXACM252	80B	4	4118
45,4	153	1,0	20,26	SXACM252	80C/90S	6	4130
45,4	146	1,5	61,87	SXACM302	80A	2	5163
45,4	146	2,3	61,87	SXACM402	80A	2	7620
45,3	143	1,6	61,83	SXHCM303	71C/80A	2	6600
45,0	154	2,0	20,46	SXACM302	80C/90S	6	5180
45,0	154	3,1	20,46	SXACM402	80C/90S	6	7646
44,4	155	3,2	31,52	SXHCM352	80B	4	8000
43,8	159	1,7	21,00	SXHCM302	80C/90S	6	6600
42,6	162	1,2	32,89	SXHCM252	80B	4	5500
42,5	164	3,0	21,67	SXHCM352	80C/90S	6	8000
42,4	162	3,0	33,00	SXHCM352	80B	4	8000
41,1	167	1,7	34,10	SXHCM302	80B	4	6600
40,6	171	1,2	22,68	SXHCM252	80C/90S	6	5500
39,7	175	1,6	23,15	SXHCM302	80C/90S	6	6600
38,7	178	1,7	36,17	SXACM302	80B	4	5445
38,7	178	2,6	36,17	SXACM402	80B	4	8000
38,6	180	1,2	23,83	SXHCM252	80C/90S	6	5500
38,5	169	2,2	72,75	SXHCM353	71C/80A	2	8000
37,5	185	0,9	24,55	SXACM252	80C/90S	6	4300
37,4	174	1,3	74,88	SXACM303	71C/80A	2	5508
37,4	174	2,1	74,88	SXACM403	71C/80A	2	8000
37,2	186	2,6	24,71	SXHCM352	80C/90S	6	8000
37,1	185	1,5	37,76	SXHCM302	80B	4	6600
36,9	186	1,1	37,92	SXHCM252	80B	4	5500
36,5	178	1,3	76,67	SXHCM303	71C/80A	2	6600
36,2	192	1,5	25,43	SXACM302	80C/90S	6	5570
36,2	192	2,4	25,43	SXACM402	80C/90S	6	8000
35,9	191	2,6	38,98	SXHCM352	80B	4	8000
35,3	197	1,4	26,04	SXHCM302	80C/90S	6	6600
35,1	198	2,6	26,18	SXHCM352	80C/90S	6	8000
34,9	199	1,1	26,39	SXHCM252	80C/90S	6	5500
33,8	203	1,0	41,40	SXHCM252	80B	4	5500
33,5	208	1,4	27,50	SXHCM302	80C/90S	6	6600

5.1 SXHC/SXAC GEARED MOTORS (50Hz)

0,75 kW

n2 [rpm]	M2 [Nm]	fs	i	Gear reducer	Motor		Fr2 [N]
					Size	Pole	
32,6	199	3,2	85,82	SXHCM403	71C/80A	2	12000
32,4	215	2,4	28,44	SXHCM352	80C/90S	6	8000
32,2	202	1,1	87,05	SXHCM303	71C/80A	2	6600
32,0	215	1,3	43,75	SXHCM302	80B	4	6600
31,8	204	1,1	88,02	SXACM303	71C/80A	2	5813
31,8	204	1,8	88,02	SXACM403	71C/80A	2	8000
31,4	221	3,8	29,33	SXHCM402	80C/90S	6	12000
31,1	221	1,3	44,95	SXACM302	80B	4	5855
31,1	221	2,0	44,95	SXACM402	80B	4	8000
31,0	224	0,9	29,70	SXHCM252	80C/90S	6	5500
30,9	223	2,2	45,36	SXHCM352	80B	4	8000
30,9	210	1,8	90,51	SXHCM353	71C/80A	2	8000
30,8	226	1,4	29,89	SXACM302	80C/90S	6	5878
30,8	226	2,1	29,89	SXACM402	80C/90S	6	8000
30,4	226	3,8	46,06	SXHCM402	80B	4	12000
30,2	230	1,3	30,45	SXHCM302	80C/90S	6	6600
29,5	233	1,2	47,53	SXHCM302	80B	4	6600
29,5	220	2,9	94,76	SXHCM403	71C/80A	2	12000
29,2	238	2,2	31,52	SXHCM352	80C/90S	6	8000
28,8	242	3,7	32,00	SXHCM402	80C/90S	6	12000
28,5	241	2,0	49,13	SXHCM352	80B	4	8000
28,1	244	1,2	49,78	SXACM302	80B	4	6000
28,1	239	1,3	49,80	SXACM303	80B	4	6000
28,1	244	1,5	49,78	SXACM402	80B	4	8000
28,1	239	2,0	49,80	SXACM403	80B	4	8000
27,9	249	2,1	33,00	SXHCM352	80C/90S	6	8000
27,0	257	1,1	34,10	SXHCM302	80C/90S	6	6600
25,8	266	1,1	54,25	SXHCM302	80B	4	6600
25,7	253	1,5	108,95	SXHCM353	71C/80A	2	8000
25,4	273	1,2	36,17	SXACM302	80C/90S	6	6000
25,4	273	1,8	36,17	SXACM402	80C/90S	6	8000
25,1	259	0,9	111,61	SXACM303	71C/80A	2	6000
25,1	259	1,4	111,61	SXACM403	71C/80A	2	8000
24,9	276	1,8	56,11	SXHCM352	80B	4	8000
24,9	279	3,0	36,99	SXHCM402	80C/90S	6	12000
24,4	285	1,0	37,76	SXHCM302	80C/90S	6	6600
23,8	283	1,8	58,81	SXHCM353	80B	4	8000
23,7	274	2,3	118,00	SXHCM403	71C/80A	2	12000
23,6	294	1,7	38,98	SXHCM352	80C/90S	6	8000
23,2	290	1,0	60,25	SXACM303	80B	4	6000
23,2	290	1,7	60,25	SXACM403	80B	4	8000
22,8	304	2,9	40,33	SXHCM402	80C/90S	6	12000

0,75 kW

n ₂ [rpm]	M ₂ [Nm]	f _s	i	Gear reducer	Motor		Fr ₂ [N]
					Size	Pole	
22,6	304	1,0	61,87	SXACM302	80B	4	6000
22,6	304	1,4	61,87	SXACM402	80B	4	8000
22,6	297	1,0	61,83	SXHCM303	80B	4	6600
21,5	323	0,9	43,75	SXHCM302	90S	6	6600
20,8	313	1,2	134,76	SXHCM353	71C/80A	2	8000
20,7	314	2,0	135,40	SXHCM403	71C/80A	2	12000
20,5	339	0,9	44,95	SXACM302	80C/90S	6	6000
20,5	339	1,4	44,95	SXACM402	80C/90S	6	8000
20,3	342	1,5	45,36	SXHCM352	80C/90S	6	8000
20,2	322	1,1	138,71	SXACM403	71C/80A	2	8000
20,0	348	2,6	46,06	SXHCM402	80C/90S	6	12000
19,2	350	1,4	72,75	SXHCM353	80B	4	8000
18,7	360	0,8	74,88	SXACM303	80B	4	6000
18,7	360	1,3	74,88	SXACM403	80B	4	8000
18,7	371	1,4	49,13	SXHCM352	80C/90S	6	8000
18,7	347	1,8	149,51	SXHCM403	71C/80A	2	12000
18,6	366	2,4	49,45	SXHCM403	90S	6	12000
18,5	376	0,8	49,78	SXACM302	80C/90S	6	6000
18,5	368	0,9	49,80	SXACM303	80C/90S	6	6000
18,5	376	1,0	49,78	SXACM402	80C/90S	6	8000
18,5	368	1,4	49,80	SXACM403	80C/90S	6	8000
18,2	358	3,8	154,76	SXHCM503	80A	2	18000
17,8	365	1,0	157,29	SXHCM353	71C ⁽¹⁾	2	8000
17,3	375	3,6	162,35	SXHCM503	80A	2	18000
16,8	404	2,2	54,61	SXHCM403	90S	6	12000
16,4	424	1,2	56,11	SXHCM352	80C/90S	6	8000
16,4	396	1,6	170,67	SXHCM403	71C/80A	2	12000
16,3	413	2,1	85,82	SXHCM403	80B	4	12000
15,9	423	1,1	88,02	SXACM403	80B	4	8000
15,7	414	3,3	179,13	SXHCM503	80A	2	18000
15,6	435	1,2	58,81	SXHCM353	80C/90S	6	8000
15,5	435	1,1	90,51	SXHCM353	80B	4	8000
15,3	445	1,1	60,25	SXACM403	80C/90S	6	8000
15,0	432	1,5	186,18	SXHCM403	71C/80A	2	12000
14,9	467	1,0	61,87	SXACM402	80C/90S	6	8000
14,8	456	1,9	94,76	SXHCM403	80B	4	12000
14,4	451	3,0	195,07	SXHCM503	80A	2	18000
14,3	472	3,8	98,09	SXHCM503	80B	4	18000
13,5	503	1,8	68,00	SXHCM403	90S	6	12000
13,0	499	1,3	215,21	SXHCM403	71C/80A	2	12000
12,9	524	1,0	108,95	SXHCM353	80B	4	8000
12,9	528	3,6	71,48	SXHCM503	80C/90S	6	18000

⁽¹⁾ Available only with brake motor (TBS)

0,75 kW

n2 [rpm]	M2 [Nm]	fs	i	Gear reducer	Motor		Fr2 [N]
					Size	Pole	
12,6	538	1,0	72,75	SXHCM353	80C/90S	6	8000
12,6	515	2,6	222,78	SXHCM503	80A	2	18000
12,5	537	0,9	111,61	SXACM403	80B	4	8000
12,4	542	3,3	112,78	SXHCM503	80B	4	18000
12,3	553	0,9	74,88	SXACM403	80C/90S	6	8000
11,9	567	1,5	118,00	SXHCM403	80B	4	12000
11,9	545	1,2	234,67	SXHCM403	71C/80A	2	12000
11,7	583	3,2	78,87	SXHCM503	80C/90S	6	18000
11,3	598	3,0	124,44	SXHCM503	80B	4	18000
10,8	632	3,0	85,56	SXHCM503	80C/90S	6	18000
10,7	634	1,4	85,82	SXHCM403	80C/90S	6	12000
10,3	651	1,3	135,40	SXHCM403	80B	4	12000
9,8	684	2,6	142,15	SXHCM503	80B	4	18000
9,7	700	1,3	94,76	SXHCM403	80C/90S	6	12000
9,4	719	1,2	149,51	SXHCM403	80B	4	12000
9,4	725	2,6	98,09	SXHCM503	80C/90S	6	18000
9,0	744	2,4	154,76	SXHCM503	80B	4	18000
8,6	781	2,3	162,35	SXHCM503	80B	4	18000
8,2	821	1,0	170,67	SXHCM403	80B	4	12000
8,2	834	2,3	112,78	SXHCM503	80C/90S	6	18000
7,8	872	1,0	118,00	SXHCM403	80C/90S	6	12000
7,8	861	2,1	179,13	SXHCM503	80B	4	18000
7,5	895	0,9	186,18	SXHCM403	80B	4	12000
7,4	920	2,1	124,44	SXHCM503	80C/90S	6	18000
7,2	938	1,9	195,07	SXHCM503	80B	4	18000
6,9	980	0,9	135,40	SXHCM403	90S	6	12000
6,5	1051	1,8	142,15	SXHCM503	80C/90S	6	18000
6,4	1060	3,5	143,42	SXHCM603	90S	6	22000
6,3	1071	1,7	222,78	SXHCM503	80B	4	18000
5,9	1144	1,7	154,76	SXHCM503	80C/90S	6	18000
5,7	1200	1,6	162,35	SXHCM503	80C/90S	6	18000
5,7	1189	3,1	160,82	SXHCM603	90S	6	22000
5,1	1324	1,4	179,13	SXHCM503	80C/90S	6	18000
5,1	1338	2,7	181,07	SXHCM603	90S	6	22000
4,7	1442	1,3	195,07	SXHCM503	80C/90S	6	18000
4,7	1435	2,6	194,21	SXHCM603	90S	6	22000
4,3	1593	2,3	215,45	SXHCM603	90S	6	22000
4,1	1647	1,1	222,78	SXHCM503	80C/90S	6	18000
3,8	1793	2,1	242,59	SXHCM603	90S	6	22000

0,92 kW

n2 [rpm]	M2 [Nm]	fs	i	Gear reducer	Motor		Fr2 [N]
					Size	Pole	
973,9	9	3,2	1,44	SXHCM191	80C ⁽¹⁾	4	717
966,7	9	2,8	1,45	SXACM191	80C ⁽¹⁾	4	512
700,0	12	2,3	2,00	SXHCM191	80C ⁽¹⁾	4	788
550,0	15	2,2	2,55	SXHCM191	80C ⁽¹⁾	4	843
549,0	16	1,2	2,55	SXACM141	80C ⁽¹⁾	4	611
515,8	17	2,1	2,71	SXHCM191	80C ⁽¹⁾	4	858
475,5	18	1,1	2,94	SXACM141	80C ⁽¹⁾	4	641
475,5	18	1,4	2,94	SXACM191	80C ⁽¹⁾	4	648
475,5	18	2,2	2,94	SXACM241	80C ⁽¹⁾	4	1786
450,8	19	2,3	3,11	SXHCM191	80C ⁽¹⁾	4	889
440,7	19	1,0	3,18	SXACM141	80C ⁽¹⁾	4	657
417,0	20	1,0	3,36	SXACM141	80C ⁽¹⁾	4	670
390,2	22	2,1	3,59	SXHCM191	80C ⁽¹⁾	4	923
362,1	24	0,9	3,87	SXACM141	80C ⁽¹⁾	4	702
350,0	24	3,7	4,00	SXHCM241	80C ⁽¹⁾	4	2500
333,3	26	1,8	4,20	SXHCM191	80C ⁽¹⁾	4	960
332,2	26	0,8	4,21	SXACM141	80C ⁽¹⁾	4	722
298,1	28	3,4	4,70	SXHCM252	80C ⁽¹⁾	4	3715
294,7	29	1,0	4,75	SXACM191	80C ⁽¹⁾	4	760
294,7	29	1,7	4,75	SXACM241	80C ⁽¹⁾	4	2095
293,5	29	3,3	4,77	SXHCM241	80C ⁽¹⁾	4	2500
280,0	30	1,5	5,00	SXHCM191	80C ⁽¹⁾	4	1000
266,7	32	3,1	5,25	SXHCM241	80C ⁽¹⁾	4	2500
260,3	32	2,5	5,38	SXACM202	80C ⁽¹⁾	4	1096
256,7	33	0,9	5,45	SXACM191	80C ⁽¹⁾	4	796
256,7	33	1,5	5,45	SXACM241	80C ⁽¹⁾	4	2194
254,5	33	1,5	5,50	SXHCM191	80C ⁽¹⁾	4	1000
240,6	35	2,8	5,82	SXHCM241	80C ⁽¹⁾	4	2500
229,9	37	1,3	6,09	SXHCM191	80C ⁽¹⁾	4	1000
224,7	38	2,8	6,23	SXHCM252	80C ⁽¹⁾	4	4010
214,8	39	2,0	6,52	SXACM202	80C ⁽¹⁾	4	1169
214,8	39	3,6	6,52	SXACM252	80C ⁽¹⁾	4	2461
194,8	43	3,7	7,19	SXHCM302	80C ⁽¹⁾	4	5376
190,9	45	2,2	7,33	SXHCM241	80C ⁽¹⁾	4	2500
190,9	45	3,8	7,33	SXHCM281	80C ⁽¹⁾	4	3700
182,6	47	1,1	7,67	SXHCM191	80C ⁽¹⁾	4	1000
180,6	47	1,9	7,75	SXACM281	80C ⁽¹⁾	4	3691
180,4	47	2,7	7,76	SXHCM252	80C ⁽¹⁾	4	4246
172,6	49	1,5	8,11	SXACM202	80C ⁽¹⁾	4	1257
172,6	49	2,7	8,11	SXACM252	80C ⁽¹⁾	4	2647
167,2	51	2,0	8,38	SXHCM241	80C ⁽¹⁾	4	2500
167,2	51	3,3	8,38	SXHCM281	80C ⁽¹⁾	4	3700

⁽¹⁾ Available only with brake motor (TBS)

0,92 kW

n2 [rpm]	M2 [Nm]	fs	i	Gear reducer	Motor		Fr2 [N]
					Size	Pole	
160,0	53	1,0	8,75	SXHCM191	80C ⁽¹⁾	4	1000
157,9	53	2,4	8,87	SXHCM252	80C ⁽¹⁾	4	4389
157,1	54	3,9	8,91	SXHCM302	80C ⁽¹⁾	4	5712
138,0	61	2,3	10,14	SXHCM252	80C ⁽¹⁾	4	4533
135,7	62	3,9	10,31	SXHCM302	80C ⁽¹⁾	4	5946
131,3	65	1,1	10,67	SXACM281	80C ⁽¹⁾	4	4106
128,0	66	1,4	10,94	SXACM202	80C ⁽¹⁾	4	1389
128,0	66	2,3	10,94	SXACM252	80C ⁽¹⁾	4	2924
120,0	70	4,0	11,67	SXACM302	80C ⁽¹⁾	4	3735
119,0	71	2,0	11,76	SXHCM252	80C ⁽¹⁾	4	4691
118,6	71	3,5	11,80	SXHCM302	80C ⁽¹⁾	4	6165
105,7	80	1,0	13,25	SXACM202	80C ⁽¹⁾	4	1481
105,7	80	1,8	13,25	SXACM252	80C ⁽¹⁾	4	3117
103,2	82	3,1	13,57	SXHCM302	80C ⁽¹⁾	4	6396
102,0	83	2,1	13,72	SXHCM252	80C ⁽¹⁾	4	4851
96,6	87	3,2	14,50	SXACM302	80C ⁽¹⁾	4	4015
95,5	88	1,9	14,66	SXHCM252	80C ⁽¹⁾	4	4918
87,7	96	2,6	15,96	SXHCM302	80C ⁽¹⁾	4	6600
84,9	99	0,8	16,49	SXACM202	80C ⁽¹⁾	4	1593
84,9	99	1,4	16,49	SXACM252	80C ⁽¹⁾	4	3353
83,5	101	1,9	16,77	SXHCM252	80C ⁽¹⁾	4	5051
82,8	102	2,9	16,91	SXACM302	80C ⁽¹⁾	4	4227
76,9	110	1,8	18,20	SXHCM252	80C ⁽¹⁾	4	5129
73,7	114	2,2	19,00	SXHCM302	80C ⁽¹⁾	4	6600
70,4	120	1,7	19,90	SXHCM252	80C ⁽¹⁾	4	5209
70,1	120	3,8	19,97	SXHCM352	80C ⁽¹⁾	4	8000
69,1	122	1,2	20,26	SXACM252	80C ⁽¹⁾	4	3591
68,4	123	2,4	20,46	SXACM302	80C ⁽¹⁾	4	4504
68,4	123	3,7	20,46	SXACM402	80C ⁽¹⁾	4	6647
66,7	127	2,0	21,00	SXHCM302	80C ⁽¹⁾	4	6600
64,6	131	3,6	21,67	SXHCM352	80C ⁽¹⁾	4	8000
61,7	137	1,5	22,68	SXHCM252	80C ⁽¹⁾	4	5320
60,5	139	1,9	23,15	SXHCM302	80C ⁽¹⁾	4	6600
58,7	144	1,4	23,83	SXHCM252	80C ⁽¹⁾	4	5359
57,0	148	1,0	24,55	SXACM252	80C ⁽¹⁾	4	3828
56,7	149	3,2	24,71	SXHCM352	80C ⁽¹⁾	4	8000
55,1	153	1,8	25,43	SXACM302	80C ⁽¹⁾	4	4842
55,1	153	2,8	25,43	SXACM402	80C ⁽¹⁾	4	7147
53,8	157	1,7	26,04	SXHCM302	80C ⁽¹⁾	4	6600
53,5	158	3,1	26,18	SXHCM352	80C ⁽¹⁾	4	8000
53,0	159	1,3	26,39	SXHCM252	80C ⁽¹⁾	4	5433
50,9	166	1,7	27,50	SXHCM302	80C ⁽¹⁾	4	6600

⁽¹⁾ Available only with brake motor (TBS)

0,92 kW

n2 [rpm]	M2 [Nm]	fs	i	Gear reducer	Motor		Fr2 [N]
					Size	Pole	
49,2	171	2,9	28,44	SXHCM352	80C ⁽¹⁾	4	8000
47,1	179	1,1	29,70	SXHCM252	80C ⁽¹⁾	4	5500
46,8	180	1,7	29,89	SXACM302	80C ⁽¹⁾	4	5110
46,8	180	2,5	29,89	SXACM402	80C ⁽¹⁾	4	7543
46,0	183	1,5	30,45	SXHCM302	80C ⁽¹⁾	4	6600
44,4	190	2,6	31,52	SXHCM352	80C ⁽¹⁾	4	8000
42,6	198	1,0	32,89	SXHCM252	80C ⁽¹⁾	4	5500
42,4	199	2,5	33,00	SXHCM352	80C ⁽¹⁾	4	8000
41,1	205	1,4	34,10	SXHCM302	80C ⁽¹⁾	4	6600
38,7	218	1,4	36,17	SXACM302	80C ⁽¹⁾	4	5445
38,7	218	2,2	36,17	SXACM402	80C ⁽¹⁾	4	8000
37,8	223	3,6	36,99	SXHCM402	80C ⁽¹⁾	4	12000
37,1	228	1,2	37,76	SXHCM302	80C ⁽¹⁾	4	6600
35,9	235	2,1	38,98	SXHCM352	80C ⁽¹⁾	4	8000
34,7	243	3,5	40,33	SXHCM402	80C ⁽¹⁾	4	12000
32,0	264	1,1	43,75	SXHCM302	80C ⁽¹⁾	4	6600
31,1	271	1,0	44,95	SXACM302	80C ⁽¹⁾	4	5855
31,1	271	1,6	44,95	SXACM402	80C ⁽¹⁾	4	8000
30,9	273	1,8	45,36	SXHCM352	80C ⁽¹⁾	4	8000
30,4	278	3,1	46,06	SXHCM402	80C ⁽¹⁾	4	12000
29,5	286	1,0	47,53	SXHCM302	80C ⁽¹⁾	4	6600
28,5	296	1,7	49,13	SXHCM352	80C ⁽¹⁾	4	8000
28,1	300	1,0	49,78	SXACM302	80C ⁽¹⁾	4	6000
28,1	294	1,0	49,80	SXACM303	80C ⁽¹⁾	4	6000
28,1	300	1,2	49,78	SXACM402	80C ⁽¹⁾	4	8000
28,1	294	1,6	49,80	SXACM403	80C ⁽¹⁾	4	8000
24,9	338	1,4	56,11	SXHCM352	80C ⁽¹⁾	4	8000
23,8	347	1,4	58,81	SXHCM353	80C ⁽¹⁾	4	8000
23,2	355	0,8	60,25	SXACM303	80C ⁽¹⁾	4	6000
23,2	355	1,4	60,25	SXACM403	80C ⁽¹⁾	4	8000
22,6	373	1,2	61,87	SXACM402	80C ⁽¹⁾	4	8000
19,2	429	1,2	72,75	SXHCM353	80C ⁽¹⁾	4	8000
18,7	442	1,1	74,88	SXACM403	80C ⁽¹⁾	4	8000
17,8	465	3,9	78,87	SXHCM503	80C ⁽¹⁾	4	18000
16,4	505	3,6	85,56	SXHCM503	80C ⁽¹⁾	4	18000
16,3	506	1,7	85,82	SXHCM403	80C ⁽¹⁾	4	12000
15,9	519	0,9	88,02	SXACM403	80C ⁽¹⁾	4	8000
15,5	534	0,9	90,51	SXHCM353	80C ⁽¹⁾	4	8000
14,8	559	1,5	94,76	SXHCM403	80C ⁽¹⁾	4	12000
14,3	579	3,1	98,09	SXHCM503	80C ⁽¹⁾	4	18000
12,4	665	2,7	112,78	SXHCM503	80C ⁽¹⁾	4	18000
11,9	696	1,2	118,00	SXHCM403	80C ⁽¹⁾	4	12000

⁽¹⁾ Available only with brake motor (TBS)

0,92 kW

n2 [rpm]	M2 [Nm]	fs	i	Gear reducer	Motor		Fr2 [N]
					Size	Pole	
11,3	734	2,5	124,44	SXHCM503	80C ⁽¹⁾	4	18000
10,3	799	1,1	135,40	SXHCM403	80C ⁽¹⁾	4	12000
9,8	839	2,1	142,15	SXHCM503	80C ⁽¹⁾	4	18000
9,4	882	1,0	149,51	SXHCM403	80C ⁽¹⁾	4	12000
9,0	913	2,0	154,76	SXHCM503	80C ⁽¹⁾	4	18000
8,6	958	1,9	162,35	SXHCM503	80C ⁽¹⁾	4	18000
7,8	1057	1,7	179,13	SXHCM503	80C ⁽¹⁾	4	18000
7,2	1151	1,6	195,07	SXHCM503	80C ⁽¹⁾	4	18000
6,3	1314	1,4	222,78	SXHCM503	80C ⁽¹⁾	4	18000

1,10 kW

n2 [rpm]	M2 [Nm]	fs	i	Gear reducer	Motor		Fr2 [N]
					Size	Pole	
1961,0	5	3,7	1,45	SXACM191	80B	2	404
1420,0	7	3,0	2,00	SXHCM191	80B	2	637
1115,7	9	2,9	2,55	SXHCM191	80B	2	683
1113,7	9	1,6	2,55	SXACM141	80B	2	483
1046,3	9	2,7	2,71	SXHCM191	80B	2	696
980,9	10	2,7	1,44	SXHCM191	80D/90S	4	708
973,6	10	2,4	1,45	SXACM191	80D ⁽¹⁾	4	510
966,7	11	3,8	1,45	SXACM241	80D/90S	4	1410
964,5	10	1,5	2,94	SXACM141	80B	2	506
964,5	10	1,8	2,94	SXACM191	80B	2	512
964,5	10	2,9	2,94	SXACM241	80B	2	1411
914,6	11	3,1	3,11	SXHCM191	80B	2	724
894,1	11	1,4	3,18	SXACM141	80B	2	519
846,0	12	1,3	3,36	SXACM141	80B	2	529
791,5	12	2,7	3,59	SXHCM191	80B	2	754
738,6	14	3,4	1,27	SXHCM241	90L/100LR	6	2028
734,5	13	1,2	3,87	SXACM141	80B	2	554
700,0	15	1,9	2,00	SXHCM191	80D/90S	4	777
676,2	15	2,3	4,20	SXHCM191	80B	2	787
673,9	15	1,1	4,21	SXACM141	80B	2	571
653,9	16	1,9	1,44	SXHCM191	90L	6	791
649,0	16	2,6	1,45	SXACM241	90L	6	1610
597,9	16	1,0	4,75	SXACM141	80B	2	594
595,8	17	1,4	4,75	SXACM191	80B	2	601
595,8	17	2,3	4,75	SXACM241	80B	2	1657
568,0	17	1,9	5,00	SXHCM191	80B	2	825
552,9	18	1,0	2,55	SXACM141	80D ⁽¹⁾	4	610
550,0	19	1,8	2,55	SXHCM191	80D/90S	4	829
527,9	18	3,3	5,38	SXACM202	80B	2	866

⁽¹⁾ Available only with brake motor (TBS)

1,10 kW

n2 [rpm]	M2 [Nm]	fs	i	Gear reducer	Motor		Fr2 [N]
					Size	Pole	
520,7	19	1,2	5,45	SXACM191	80B	2	629
520,7	19	2,0	5,45	SXACM241	80B	2	1733
519,5	20	1,7	2,71	SXHCM191	80D/90S	4	841
516,4	19	2,0	5,50	SXHCM191	80B	2	846
488,1	20	3,7	5,82	SXHCM241	80B	2	2299
478,9	21	0,9	2,94	SXACM141	80D ⁽¹⁾	4	639
478,9	21	1,2	2,94	SXACM191	80D ⁽¹⁾	4	647
478,9	21	1,9	2,94	SXACM241	80D/90S	4	1782
470,0	22	1,3	2,00	SXHCM191	90L	6	862
466,3	21	1,8	6,09	SXHCM191	80B	2	868
455,9	21	3,7	6,23	SXHCM252	80B	2	3263
450,8	23	1,9	3,11	SXHCM191	80D/90S	4	872
445,3	23	3,7	3,17	SXHCM241	80D/90S	4	2357
443,9	23	0,9	3,18	SXACM141	80D ⁽¹⁾	4	656
437,6	24	2,9	2,13	SXHCM241	90L/100LR	6	2368
435,8	22	2,7	6,52	SXACM202	80B	2	923
420,0	24	0,8	3,36	SXACM141	80D ⁽¹⁾	4	668
393,0	26	1,7	3,59	SXHCM191	80D/90S	4	902
387,3	25	3,0	7,33	SXHCM241	80B	2	2460
382,4	27	3,4	3,69	SXHCM241	80D/90S	4	2463
372,0	28	3,4	2,50	SXACM281	90L/100LR	6	2901
370,4	27	1,4	7,67	SXHCM191	80B	2	919
369,3	28	1,3	2,55	SXHCM191	90L	6	914
366,5	27	2,5	7,75	SXACM281	80B	2	2916
365,9	27	3,5	7,76	SXHCM252	80B	2	3470
365,6	28	2,8	2,57	SXHCM241	90L/100LR	6	2493
352,5	29	3,1	4,00	SXHCM241	80D/90S	4	2500
350,2	28	2,0	8,11	SXACM202	80B	2	993
350,2	28	3,5	8,11	SXACM252	80B	2	2091
346,3	30	1,2	2,71	SXHCM191	90L	6	928
339,1	29	2,6	8,38	SXHCM241	80B	2	2500
333,3	31	1,5	4,20	SXHCM191	80D/90S	4	937
324,6	30	1,4	8,75	SXHCM191	80B	2	948
321,6	32	3,5	4,38	SXACM281	80D/90S	4	3045
320,3	30	3,2	8,87	SXHCM252	80B	2	3599
315,8	33	1,3	2,94	SXACM241	90L	6	2047
302,7	34	1,4	3,11	SXHCM191	90L	6	956
300,3	34	2,8	4,70	SXHCM252	80D/90S	4	3650
296,8	34	0,9	4,75	SXACM191	80D ⁽¹⁾	4	758
296,8	35	2,6	3,17	SXHCM241	90L/100LR	6	2500
294,7	35	1,4	4,75	SXACM241	80D/90S	4	2095
293,5	35	2,7	4,77	SXHCM241	80D/90S	4	2500

⁽¹⁾ Available only with brake motor (TBS)

1,10 kW

n2 [rpm]	M2 [Nm]	fs	i	Gear reducer	Motor		Fr2 [N]
					Size	Pole	
282,0	36	1,2	5,00	SXHCM191	80D/90S	4	973
280,0	35	3,0	10,14	SXHCM252	80B	2	3731
268,6	38	2,6	5,25	SXHCM241	80D/90S	4	2500
266,3	37	1,4	10,67	SXACM281	80B	2	3243
262,1	38	2,1	5,38	SXACM202	80D ⁽¹⁾	4	1094
260,3	39	3,6	5,38	SXACM252	80D/90S	4	2308
259,2	40	1,2	3,59	SXHCM191	90L	6	988
258,8	38	1,8	10,94	SXACM202	80B	2	1098
258,8	38	3,0	10,94	SXACM252	80B	2	2312
256,7	40	1,3	5,45	SXACM241	80D/90S	4	2194
256,4	40	1,3	5,50	SXHCM191	80D/90S	4	992
252,2	41	2,3	3,69	SXHCM241	90L/100LR	6	2500
252,2	41	3,9	3,69	SXHCM281	90L/100LR	6	3700
242,3	42	2,4	5,82	SXHCM241	80D/90S	4	2500
241,5	40	2,7	11,76	SXHCM252	80B	2	3879
235,0	44	2,2	4,00	SXHCM241	90L/100LR	6	2500
235,0	44	3,6	4,00	SXHCM281	90L/100LR	6	3700
231,5	44	1,1	6,09	SXHCM191	80D/90S	4	1000
226,4	45	2,4	6,23	SXHCM252	80D/90S	4	3927
223,8	46	1,0	4,20	SXHCM191	90L	6	1000
216,3	47	1,7	6,52	SXACM202	80D ⁽¹⁾	4	1166
216,3	47	3,0	6,52	SXACM252	80D/90S	4	2455
213,6	46	1,3	13,25	SXACM202	80B	2	1171
213,6	46	2,3	13,25	SXACM252	80B	2	2465
212,1	49	2,4	4,38	SXACM281	90L/100LR	6	3499
207,0	47	2,7	13,72	SXHCM252	80B	2	4033
200,2	51	2,0	4,70	SXHCM252	90L/100LR	6	4043
195,8	53	1,0	4,75	SXACM241	90L	6	2401
195,0	53	1,9	4,77	SXHCM241	90L/100LR	6	2500
195,0	53	3,2	4,77	SXHCM281	90L/100LR	6	3700
194,8	52	3,1	7,19	SXHCM302	80D/90S	4	5306
193,8	50	2,5	14,66	SXHCM252	80B	2	4099
192,3	53	1,9	7,33	SXHCM241	80D/90S	4	2500
192,3	53	3,2	7,33	SXHCM281	80D/90S	4	3700
183,9	55	0,9	7,67	SXHCM191	80D/90S	4	1000
181,9	56	1,6	7,75	SXACM281	80D/90S	4	3682
181,6	56	2,3	7,76	SXHCM252	80D/90S	4	4144
177,9	55	3,4	15,96	SXHCM302	80B	2	5456
177,1	58	1,8	5,25	SXHCM241	90L/100LR	6	2500
177,1	58	3,1	5,25	SXHCM281	90L/100LR	6	3700
173,9	58	1,3	8,11	SXACM202	80D ⁽¹⁾	4	1254
173,9	58	2,2	8,11	SXACM252	80D/90S	4	2640

⁽¹⁾ Available only with brake motor (TBS)

1,10 kW

n ₂ [rpm]	M ₂ [Nm]	f _s	i	Gear reducer	Motor		Fr ₂ [N]
					Size	Pole	
172,9	59	2,5	5,38	SXACM252	90L	6	2645
172,3	60	0,9	5,45	SXACM241	90L	6	2505
172,2	57	1,1	16,49	SXACM202	80B	2	1258
172,2	57	1,9	16,49	SXACM252	80B	2	2649
170,3	60	2,8	5,46	SXHCM302	90L/100LR	6	5500
168,8	58	2,5	16,77	SXHCM252	80B	2	4237
168,4	61	1,7	8,38	SXHCM241	80D/90S	4	2500
168,4	61	2,8	8,38	SXHCM281	80D/90S	4	3700
167,9	58	3,9	16,91	SXACM302	80B	2	3339
161,6	64	1,6	5,82	SXHCM241	90L/100LR	6	2500
161,6	64	2,8	5,82	SXHCM281	90L/100LR	6	3700
158,2	64	3,3	8,91	SXHCM302	80D/90S	4	5614
157,9	64	2,0	8,87	SXHCM252	80D/90S	4	4280
155,5	63	2,4	18,20	SXHCM252	80B	2	4319
149,5	68	3,7	6,22	SXACM302	90L/100LR	6	3471
149,5	65	2,9	19,00	SXHCM302	80B	2	5719
149,3	68	1,6	6,23	SXHCM252	90L/100LR	6	4327
144,2	71	2,1	6,52	SXACM252	90L	6	2810
142,7	68	2,2	19,90	SXHCM252	80B	2	4403
139,7	70	1,6	20,26	SXACM252	80B	2	2840
139,0	73	1,9	10,14	SXHCM252	80D/90S	4	4402
138,8	70	3,1	20,46	SXACM302	80B	2	3558
136,7	74	3,3	10,31	SXHCM302	80D/90S	4	5835
135,2	72	2,6	21,00	SXHCM302	80B	2	5873
131,3	78	0,9	10,67	SXACM281	80D/90S	4	4106
129,4	79	2,1	7,19	SXHCM302	90L/100LR	6	5912
128,9	78	1,2	10,94	SXACM202	80D ⁽¹⁾	4	1386
128,0	79	1,9	10,94	SXACM252	80D/90S	4	2924
126,8	81	1,3	7,33	SXHCM241	90L	6	2500
126,8	81	2,2	7,33	SXHCM281	90L/100LR	6	3700
125,2	78	1,9	22,68	SXHCM252	80B	2	4529
122,3	80	2,4	23,15	SXHCM302	80B	2	6028
120,3	85	3,0	7,73	SXACM302	90L/100LR	6	3732
120,0	86	1,1	7,75	SXACM281	90L	6	4230
120,0	84	3,3	11,67	SXACM302	80D/90S	4	3735
119,8	85	1,5	7,76	SXHCM252	90L/100LR	6	4532
119,2	82	1,8	23,83	SXHCM252	80B	2	4576
119,0	85	1,7	11,76	SXHCM252	80D/90S	4	4547
118,6	85	2,9	11,80	SXHCM302	80D/90S	4	6050
115,7	84	1,4	24,55	SXACM252	80B	2	3024
114,7	89	1,5	8,11	SXACM252	90L	6	3033
111,7	87	2,4	25,43	SXACM302	80B	2	3825

⁽¹⁾ Available only with brake motor (TBS)

1,10 kW

n ₂ [rpm]	M ₂ [Nm]	f _s	i	Gear reducer	Motor		Fr ₂ [N]
					Size	Pole	
111,7	87	3,7	25,43	SXACM402	80B	2	5646
111,0	93	1,1	8,38	SXHCM241	90L	6	2500
111,0	93	1,9	8,38	SXHCM281	90L/100LR	6	3700
110,1	93	3,9	8,44	SXHCM381	90L	6	4000
109,1	93	3,8	8,53	SXHCM352	90L/100LR	6	7965
108,7	90	2,2	26,04	SXHCM302	80B	2	6211
107,2	91	1,7	26,39	SXHCM252	80B	2	4674
106,4	95	0,8	13,25	SXACM202	80D ⁽¹⁾	4	1477
106,4	95	1,5	13,25	SXACM252	80D/90S	4	3110
104,9	97	1,4	8,87	SXHCM252	90L/100LR	6	4649
104,3	98	2,3	8,91	SXHCM302	90L/100LR	6	6238
103,2	98	2,6	13,57	SXHCM302	80D/90S	4	6263
102,9	95	2,2	27,50	SXHCM302	80B	2	6295
102,0	99	1,7	13,72	SXHCM252	80D/90S	4	4683
99,5	98	3,8	28,44	SXHCM352	80B	2	8000
97,3	105	3,7	9,56	SXHCM352	90L/100LR	6	8000
97,2	104	2,7	14,50	SXACM302	80D/90S	4	4006
96,4	106	3,0	9,64	SXACM302	90L/100LR	6	4017
95,6	102	1,5	29,70	SXHCM252	80B	2	4776
95,5	106	1,6	14,66	SXHCM252	80D/90S	4	4739
94,7	103	2,2	29,89	SXACM302	80B	2	4042
94,7	103	3,3	29,89	SXACM402	80B	2	5965
93,0	105	1,0	30,55	SXACM252	80B	2	3253
92,9	105	2,0	30,45	SXHCM302	80B	2	6454
91,7	111	1,3	10,14	SXHCM252	90L/100LR	6	4761
90,2	113	2,2	10,31	SXHCM302	90L/100LR	6	6458
90,1	108	3,4	31,52	SXHCM352	80B	2	8000
87,7	115	2,2	15,96	SXHCM302	80D/90S	4	6509
86,3	113	1,3	32,89	SXHCM252	80B	2	4862
86,1	113	3,2	33,00	SXHCM352	80B	2	8000
85,0	120	1,3	10,94	SXACM252	90L	6	3351
84,9	119	1,2	16,49	SXACM252	80D/90S	4	3353
84,4	120	3,8	16,59	SXHCM352	80D/90S	4	8000
83,5	121	1,6	16,77	SXHCM252	80D/90S	4	4845
83,3	117	1,8	34,10	SXHCM302	80B	2	6600
82,8	122	2,5	16,91	SXACM302	80D/90S	4	4227
80,8	126	3,2	11,51	SXHCM352	90L/100LR	6	8000
79,7	128	2,3	11,67	SXACM302	90L/100LR	6	4280
79,7	128	3,6	11,67	SXACM402	90L/100LR	6	6317
79,1	129	1,2	11,76	SXHCM252	90L/100LR	6	4873
78,8	129	2,0	11,80	SXHCM302	90L/100LR	6	6600
78,5	124	1,8	36,17	SXACM302	80B	2	4302

⁽¹⁾ Available only with brake motor (TBS)

5.1 SXHC/SXAC GEARED MOTORS (50Hz)

1,10 kW

n ₂ [rpm]	M ₂ [Nm]	f _s	i	Gear reducer	Motor		Fr ₂ [N]
					Size	Pole	
78,5	124	2,8	36,17	SXACM402	80B	2	6349
77,8	130	3,5	18,00	SXHCM352	80D/90S	4	8000
76,9	131	1,5	18,20	SXHCM252	80D/90S	4	4905
74,9	130	1,2	37,92	SXHCM252	80B	2	4973
74,9	130	1,6	37,76	SXHCM302	80B	2	6600
73,7	137	1,8	19,00	SXHCM302	80D/90S	4	6600
72,9	134	2,8	38,98	SXHCM352	80B	2	8000
70,4	143	1,4	19,90	SXHCM252	80D/90S	4	4965
70,2	145	1,0	13,25	SXACM252	90L	6	3572
70,1	144	3,2	19,97	SXHCM352	80D/90S	4	8000
69,1	146	1,0	20,26	SXACM252	80D/90S	4	3591
68,6	142	1,1	41,40	SXHCM252	80B	2	5035
68,5	149	1,8	13,57	SXHCM302	90L/100LR	6	6600
68,4	147	2,0	20,46	SXACM302	80D/90S	4	4504
68,4	147	3,1	20,46	SXACM402	80D/90S	4	6647
67,8	150	1,2	13,72	SXHCM252	90L/100LR	6	4973
66,7	151	1,7	21,00	SXHCM302	80D/90S	4	6600
65,3	156	2,9	14,24	SXHCM352	90L/100LR	6	8000
64,9	150	1,4	43,75	SXHCM302	80B	2	6600
64,6	156	3,0	21,67	SXHCM352	80D/90S	4	8000
64,1	159	1,9	14,50	SXACM302	90L/100LR	6	4602
64,1	159	2,8	14,50	SXACM402	90L/100LR	6	6792
63,5	161	1,1	14,66	SXHCM252	90L/100LR	6	5011
63,0	155	1,4	44,95	SXACM302	80B	2	4630
63,0	155	2,1	44,95	SXACM402	80B	2	6834
62,4	156	2,4	45,36	SXHCM352	80B	2	8000
61,7	163	1,2	22,68	SXHCM252	80D/90S	4	5042
60,5	167	1,6	23,15	SXHCM302	80D/90S	4	6600
59,7	163	1,3	47,53	SXHCM302	80B	2	6600
58,7	172	1,2	23,83	SXHCM252	80D/90S	4	5067
58,3	175	1,5	15,96	SXHCM302	90L/100LR	6	6600
57,6	169	2,2	49,13	SXHCM352	80B	2	8000
57,1	171	1,3	49,78	SXACM302	80B	2	4785
57,1	171	1,6	49,78	SXACM402	80B	2	7062
57,0	177	0,9	24,55	SXACM252	80D/90S	4	3828
56,8	168	1,3	49,80	SXACM303	80B	2	4791
56,8	168	2,1	49,80	SXACM403	80B	2	7072
56,7	178	2,6	24,71	SXHCM352	80D/90S	4	8000
56,4	181	0,8	16,49	SXACM252	90L	6	3843
56,0	182	2,6	16,59	SXHCM352	90L/100LR	6	8000
55,5	184	1,1	16,77	SXHCM252	90L/100LR	6	5074
55,1	183	1,5	25,43	SXACM302	80D/90S	4	4842

5.1 SXHC/SXAC GEARED MOTORS (50Hz)

1,10 kW

n2 [rpm]	M2 [Nm]	fs	i	Gear reducer	Motor		Fr2 [N]
					Size	Pole	
55,1	183	2,3	25,43	SXACM402	80D/90S	4	7147
55,0	185	1,7	16,91	SXACM302	90L/100LR	6	4844
55,0	185	2,8	16,91	SXACM402	90L/100LR	6	7150
53,8	188	1,4	26,04	SXHCM302	80D/90S	4	6600
53,5	189	2,6	26,18	SXHCM352	80D/90S	4	8000
53,0	190	1,1	26,39	SXHCM252	80D/90S	4	5110
52,2	187	1,1	54,25	SXHCM302	80B	2	6600
51,7	197	2,5	18,00	SXHCM352	90L/100LR	6	8000
51,1	199	1,1	18,20	SXHCM252	90L/100LR	6	5102
50,9	198	1,4	27,50	SXHCM302	80D/90S	4	6600
50,4	193	1,9	56,11	SXHCM352	80B	2	8000
49,2	205	2,4	28,44	SXHCM352	80D/90S	4	8000
48,9	208	1,3	19,00	SXHCM302	90L/100LR	6	6600
48,1	198	1,9	58,81	SXHCM353	80B	2	8000
47,7	211	3,8	29,33	SXHCM402	80D/90S	4	12000
47,1	214	0,9	29,70	SXHCM252	80D/90S	4	5144
47,0	203	1,1	60,25	SXACM303	80B	2	5105
47,0	203	1,8	60,25	SXACM403	80B	2	7535
46,8	215	1,4	29,89	SXACM302	80D/90S	4	5110
46,8	215	2,1	29,89	SXACM402	80D/90S	4	7543
46,7	218	1,0	19,90	SXHCM252	90L	6	5123
46,6	219	2,2	19,97	SXHCM352	90L/100LR	6	8000
46,0	219	1,3	30,45	SXHCM302	80D/90S	4	6600
45,8	208	1,1	61,83	SXHCM303	80B	2	6600
45,7	213	1,0	61,87	SXACM302	80B	2	5151
45,7	213	1,6	61,87	SXACM402	80B	2	7602
45,5	224	1,4	20,46	SXACM302	90L/100LR	6	5162
45,5	224	2,2	20,46	SXACM402	90L/100LR	6	7618
44,4	227	2,2	31,52	SXHCM352	80D/90S	4	8000
44,3	230	1,1	21,00	SXHCM302	90L/100LR	6	6600
43,8	231	3,7	32,00	SXHCM402	80D/90S	4	12000
42,9	237	2,1	21,67	SXHCM352	90L/100LR	6	8000
42,4	238	2,1	33,00	SXHCM352	80D/90S	4	8000
41,1	246	1,1	34,10	SXHCM302	80D/90S	4	6600
40,2	253	1,1	23,15	SXHCM302	90L	6	6600
40,0	255	3,5	23,27	SXHCM402	90L/100LR	6	12000
38,9	245	1,5	72,75	SXHCM353	80B	2	8000
38,7	261	1,2	36,17	SXACM302	80D/90S	4	5445
38,7	261	1,8	36,17	SXACM402	80D/90S	4	8000
37,8	252	0,9	74,88	SXACM303	80B	2	5489
37,8	252	1,4	74,88	SXACM403	80B	2	8000
37,8	266	3,0	36,99	SXHCM402	80D/90S	4	12000

5.1 SXHC/SXAC GEARED MOTORS (50Hz)

1,10 kW

n ₂ [rpm]	M ₂ [Nm]	f _s	i	Gear reducer	Motor		Fr ₂ [N]
					Size	Pole	
37,6	271	1,8	24,71	SXHCM352	90L/100LR	6	8000
37,1	272	1,0	37,76	SXHCM302	80D/90S	4	6600
36,6	279	1,1	25,43	SXACM302	90L/100LR	6	5549
36,6	279	1,6	25,43	SXACM402	90L/100LR	6	8000
36,2	281	3,2	25,70	SXHCM402	90L/100LR	6	12000
35,9	281	1,7	38,98	SXHCM352	80D/90S	4	8000
35,7	285	1,0	26,04	SXHCM302	90L/100LR	6	6600
35,5	287	1,8	26,18	SXHCM352	90L/100LR	6	8000
34,7	291	2,9	40,33	SXHCM402	80D/90S	4	12000
33,8	301	1,0	27,50	SXHCM302	90L	6	6600
33,0	289	2,2	85,82	SXHCM403	80B	2	12000
32,7	309	0,9	43,75	SXHCM302	90S	4	6600
32,7	311	1,7	28,44	SXHCM352	90L/100LR	6	8000
32,2	296	1,2	88,02	SXACM403	80B	2	8000
31,7	321	2,6	29,33	SXHCM402	90L/100LR	6	12000
31,3	305	1,2	90,51	SXHCM353	80B	2	8000
31,1	327	1,0	29,89	SXACM302	90L	6	5857
31,1	324	0,9	44,95	SXACM302	80D/90S	4	5855
31,1	327	1,4	29,89	SXACM402	90L	6	8000
31,1	324	1,4	44,95	SXACM402	80D/90S	4	8000
30,9	327	1,5	45,36	SXHCM352	80D/90S	4	8000
30,4	332	2,6	46,06	SXHCM402	80D/90S	4	12000
29,9	319	2,0	94,76	SXHCM403	80B	2	12000
29,5	345	1,5	31,52	SXHCM352	90L/100LR	6	8000
29,1	350	2,5	32,00	SXHCM402	90L/100LR	6	12000
28,5	354	1,4	49,13	SXHCM352	80D/90S	4	8000
28,3	349	2,4	49,45	SXHCM403	90S	4	12000
28,2	361	1,4	33,00	SXHCM352	90L	6	8000
28,1	359	0,8	49,78	SXACM302	80D/90S	4	6000
28,1	351	0,9	49,80	SXACM303	80D/90S	4	6000
28,1	359	1,0	49,78	SXACM402	80D/90S	4	8000
28,1	351	1,4	49,80	SXACM403	80D/90S	4	8000
26,0	392	0,8	36,17	SXACM302	90L	6	6000
26,0	367	1,0	108,95	SXHCM353	80B	2	8000
25,7	396	1,2	36,17	SXACM402	90L	6	8000
25,6	385	2,2	54,61	SXHCM403	90S	4	12000
25,1	405	2,1	36,99	SXHCM402	90L/100LR	6	12000
25,1	380	3,6	112,78	SXHCM503	80B	2	18000
24,9	404	1,2	56,11	SXHCM352	80D/90S	4	8000
24,0	397	1,6	118,00	SXHCM403	80B	2	12000
24,0	424	4,0	38,70	SXHCM502	90L	6	18000
23,9	427	1,2	38,98	SXHCM352	90L/100LR	6	8000

1,10 kW

n ₂ [rpm]	M ₂ [Nm]	f _s	i	Gear reducer	Motor		Fr ₂ [N]
					Size	Pole	
23,8	415	1,2	58,81	SXHCM353	80D/90S	4	8000
23,2	425	1,1	60,25	SXACM403	80D/90S	4	8000
23,1	442	2,0	40,33	SXHCM402	90L/100LR	6	12000
22,7	419	3,2	124,44	SXHCM503	80B	2	18000
22,6	446	1,0	61,87	SXACM402	80D/90S	4	8000
21,8	468	3,6	42,75	SXHCM502	90L/100LR	6	18000
20,9	456	1,4	135,40	SXHCM403	80B	2	12000
20,7	492	0,9	44,95	SXACM402	90L	6	8000
20,6	480	1,8	68,00	SXHCM403	90S	4	12000
20,5	497	1,0	45,36	SXHCM352	90L	6	8000
20,2	504	1,8	46,06	SXHCM402	90L/100LR	6	12000
19,9	479	2,8	142,15	SXHCM503	80B	2	18000
19,6	504	3,6	71,48	SXHCM503	80D/90S	4	18000
19,3	527	3,2	48,13	SXHCM502	90L/100LR	6	18000
19,2	513	1,0	72,75	SXHCM353	80D/90S	4	8000
18,9	538	1,0	49,13	SXHCM352	90L	6	8000
18,9	503	1,3	149,51	SXHCM403	80B	2	12000
18,8	530	1,7	49,45	SXHCM403	90L/100LR	6	12000
18,7	528	0,9	74,88	SXACM403	80D/90S	4	8000
18,7	534	0,9	49,80	SXACM403	90L	6	8000
18,3	521	2,6	154,76	SXHCM503	80B	2	18000
17,8	556	3,2	78,87	SXHCM503	80D/90S	4	18000
17,4	547	2,5	162,35	SXHCM503	80B	2	18000
17,0	586	1,5	54,61	SXHCM403	90L/100LR	6	12000
16,6	575	1,1	170,67	SXHCM403	80B	2	12000
16,5	606	2,8	56,53	SXHCM503	90L/100LR	6	18000
16,4	603	3,0	85,56	SXHCM503	80D/90S	4	18000
16,3	605	1,4	85,82	SXHCM403	80D/90S	4	12000
15,8	603	2,2	179,13	SXHCM503	80B	2	18000
15,2	627	1,0	186,18	SXHCM403	80B	2	12000
14,8	668	1,3	94,76	SXHCM403	80D/90S	4	12000
14,5	657	2,1	195,07	SXHCM503	80B	2	18000
14,3	692	2,6	98,09	SXHCM503	80D/90S	4	18000
13,7	729	1,2	68,00	SXHCM403	90L/100LR	6	12000
13,0	767	2,5	71,48	SXHCM503	90L/100LR	6	18000
12,7	750	1,8	222,78	SXHCM503	80B	2	18000
12,4	796	2,3	112,78	SXHCM503	80D/90S	4	18000
11,9	832	1,0	118,00	SXHCM403	80D/90S	4	12000
11,8	846	2,2	78,87	SXHCM503	90L/100LR	6	18000
11,3	878	2,1	124,44	SXHCM503	80D/90S	4	18000
10,9	918	2,1	85,56	SXHCM503	90L/100LR	6	18000
10,8	920	1,0	85,82	SXHCM403	90L/100LR	6	12000

5.1 SXHC/SXAC GEARED MOTORS (50Hz)

1,10 kW

n ₂ [rpm]	M ₂ [Nm]	f _s	i	Gear reducer	Motor		Fr ₂ [N]
					Size	Pole	
10,6	935	0,9	135,40	SXHCM403	90S	4	12000
10,2	980	3,7	93,36	SXHCM603	100LR	6	22000
9,8	1003	1,8	142,15	SXHCM503	80D/90S	4	18000
9,8	1012	3,5	143,42	SXHCM603	90S	4	22000
9,5	1052	1,8	98,09	SXHCM503	90L/100LR	6	18000
9,5	1051	3,5	100,07	SXHCM603	100LR	6	22000
9,0	1092	1,6	154,76	SXHCM503	80D/90S	4	18000
8,7	1134	3,1	160,82	SXHCM603	90S	4	22000
8,6	1145	1,6	162,35	SXHCM503	80D/90S	4	18000
8,2	1210	1,6	112,78	SXHCM503	90L/100LR	6	18000
7,9	1269	2,9	120,84	SXHCM603	100LR	6	22000
7,8	1263	1,4	179,13	SXHCM503	80D/90S	4	18000
7,7	1277	2,7	181,07	SXHCM603	90S	4	22000
7,5	1335	1,4	124,44	SXHCM503	90L/100LR	6	18000
7,4	1346	3,9	128,18	SXHCM703	100LR	6	30000
7,2	1376	1,3	195,07	SXHCM503	80D/90S	4	18000
7,2	1370	2,6	194,21	SXHCM603	90S	4	22000
7,1	1407	2,6	134,06	SXHCM603	100LR	6	22000
6,6	1520	3,5	144,79	SXHCM703	100LR	6	30000
6,5	1524	1,2	142,15	SXHCM503	90L/100LR	6	18000
6,5	1538	2,4	143,42	SXHCM603	90L/100LR	6	22000
6,5	1520	2,3	215,45	SXHCM603	90S	4	22000
6,3	1571	1,1	222,78	SXHCM503	80D/90S	4	18000
6,1	1630	3,2	155,22	SXHCM703	100LR	6	30000
6,0	1660	1,1	154,76	SXHCM503	90L/100LR	6	18000
5,8	1725	2,1	160,82	SXHCM603	90L/100LR	6	22000
5,8	1711	2,1	242,59	SXHCM603	90S	4	22000
5,7	1741	1,1	162,35	SXHCM503	90L	6	18000
5,5	1814	2,9	172,80	SXHCM703	100LR	6	30000
5,2	1921	1,0	179,13	SXHCM503	90L	6	18000
5,1	1942	1,9	181,07	SXHCM603	90L/100LR	6	22000
5,0	1986	2,6	189,19	SXHCM703	100LR	6	30000
4,8	2092	0,9	195,07	SXHCM503	90L	6	18000
4,8	2083	1,8	194,21	SXHCM603	90L/100LR	6	22000
4,6	2178	2,4	207,43	SXHCM703	100LR	6	30000
4,3	2311	1,6	215,45	SXHCM603	90L/100LR	6	22000
4,1	2424	2,2	230,92	SXHCM703	100LR	6	30000
3,8	2602	1,5	242,59	SXHCM603	90L/100LR	6	22000
3,7	2726	1,9	259,64	SXHCM703	100LR	6	30000

1,50 kW

n2 [rpm]	M2 [Nm]	fs	i	Gear reducer	Motor		Fr2 [N]
					Size	Pole	
1954,8	7	3,1	1,44	SXHCM191	80C/90S	2	570
1940,2	7	2,7	1,45	SXACM191	80C ⁽¹⁾	2	406
1405,0	10	2,2	2,00	SXHCM191	80C/90S	2	627
1103,9	12	2,1	2,55	SXHCM191	80C/90S	2	670
1102,0	12	1,2	2,55	SXACM141	80C ⁽¹⁾	2	484
1100,0	13	3,6	1,27	SXHCM241	90L/90LA	4	1775
1035,3	13	2,0	2,71	SXHCM191	80C/90S	2	682
987,8	14	2,0	1,44	SXHCM191	90L/90LA	4	689
980,5	14	2,8	1,45	SXACM241	90L/90LA	4	1403
954,3	14	1,1	2,94	SXACM141	80C ⁽¹⁾	2	508
954,3	14	1,3	2,94	SXACM191	80C ⁽¹⁾	2	514
954,3	14	2,1	2,94	SXACM241	80C/90S	2	1416
904,9	15	2,2	3,11	SXHCM191	80C/90S	2	707
783,1	17	2,0	3,59	SXHCM191	80C/90S	2	735
762,0	18	3,8	3,69	SXHCM241	80C/90S	2	1984
738,6	19	2,5	1,27	SXHCM241	100L/100LA	6	1997
710,0	20	1,4	2,00	SXHCM191	90L/90LA	4	750
702,5	19	3,5	4,00	SXHCM241	80C/90S	2	2032
669,0	20	1,7	4,20	SXHCM191	80C/90S	2	764
668,2	21	3,1	2,13	SXHCM241	90L/90LA	4	2057
662,3	21	3,2	1,42	SXHCM241	100L/100LA	6	2061
640,9	21	3,9	4,38	SXACM281	80C/90S	2	2420
598,4	22	3,2	4,70	SXHCM252	80C/90S	2	2955
591,6	23	1,7	4,75	SXACM241	80C/90S	2	1661
589,2	23	3,1	4,77	SXHCM241	80C/90S	2	2138
562,0	24	1,4	5,00	SXHCM191	80C/90S	2	797
560,0	25	3,6	2,50	SXACM281	90L/90LA	4	2531
557,9	25	1,4	2,55	SXHCM191	90L/90LA	4	795
544,4	26	2,9	2,57	SXHCM241	90L/90LA	4	2181
535,2	25	3,0	5,25	SXHCM241	80C/90S	2	2197
523,2	27	1,3	2,71	SXHCM191	90L/90LA	4	807
522,4	25	2,4	5,38	SXACM202	80C ⁽¹⁾	2	869
515,2	26	1,4	5,45	SXACM241	80C/90S	2	1739
510,9	26	1,4	5,50	SXHCM191	80C/90S	2	815
483,0	28	2,7	5,82	SXHCM241	80C/90S	2	2262
482,3	29	1,4	2,94	SXACM241	90L/90LA	4	1778
461,3	29	1,3	6,09	SXHCM191	80C/90S	2	834
451,1	29	2,7	6,23	SXHCM252	80C/90S	2	3191
450,8	31	1,4	3,11	SXHCM191	90L/90LA	4	834
448,4	31	2,7	3,17	SXHCM241	90L/90LA	4	2303
442,4	32	2,2	2,13	SXHCM241	100L/100LA	6	2309
431,2	31	1,9	6,52	SXACM202	80C ⁽¹⁾	2	927

⁽¹⁾ Available only with brake motor (TBS)

1,50 kW

n2 [rpm]	M2 [Nm]	fs	i	Gear reducer	Motor		Fr2 [N]
					Size	Pole	
431,2	31	3,4	6,52	SXACM252	80C/90S	2	1951
391,0	34	3,5	7,19	SXHCM302	80C/90S	2	4276
390,2	36	1,3	3,59	SXHCM191	90L/90LA	4	859
383,2	35	2,1	7,33	SXHCM241	80C/90S	2	2411
383,2	35	3,6	7,33	SXHCM281	80C/90S	2	3602
379,7	37	2,5	3,69	SXHCM241	90L/90LA	4	2409
372,0	38	2,5	2,50	SXACM281	100L/100LA	6	2901
366,5	37	1,0	7,67	SXHCM191	80C/90S	2	876
362,6	37	1,8	7,75	SXACM281	80C/90S	2	2926
362,0	37	2,6	7,76	SXHCM252	80C/90S	2	3379
361,7	39	2,0	2,57	SXHCM241	100L/100LA	6	2439
361,7	39	3,8	2,57	SXHCM281	100L/100LA	6	3659
350,0	40	2,3	4,00	SXHCM241	90L/90LA	4	2462
350,0	40	3,8	4,00	SXHCM281	90L/90LA	4	3696
346,5	38	1,5	8,11	SXACM202	80C ⁽¹⁾	2	997
346,5	38	2,5	8,11	SXACM252	80C/90S	2	2098
335,5	40	1,9	8,38	SXHCM241	80C/90S	2	2499
335,5	40	3,2	8,38	SXHCM281	80C/90S	2	3700
333,3	42	1,1	4,20	SXHCM191	90L/90LA	4	885
328,0	41	1,0	8,75	SXHCM191	90S	2	895
319,3	44	2,5	4,38	SXACM281	90L/90LA	4	3053
316,9	42	2,3	8,87	SXHCM252	80C/90S	2	3493
315,3	42	3,7	8,91	SXHCM302	80C/90S	2	4544
298,1	46	2,1	4,70	SXHCM252	90L/90LA	4	3529
297,7	47	2,0	4,77	SXHCM241	90L/90LA	4	2500
297,7	47	3,4	4,77	SXHCM281	90L/90LA	4	3700
294,7	47	1,1	4,75	SXACM241	90L/90LA	4	2095
293,7	48	1,9	3,17	SXHCM241	100L/100LA	6	2500
293,7	48	3,1	3,17	SXHCM281	100L/100LA	6	3700
280,0	50	0,9	5,00	SXHCM191	90L/90LA	4	912
277,0	48	2,2	10,14	SXHCM252	80C/90S	2	3609
272,4	49	3,7	10,31	SXHCM302	80C/90S	2	4730
266,7	52	1,9	5,25	SXHCM241	90L/90LA	4	2500
266,7	52	3,3	5,25	SXHCM281	90L/90LA	4	3700
263,4	51	1,0	10,67	SXACM281	80C/90S	2	3255
260,3	53	2,6	5,38	SXACM252	90L/90LA	4	2308
256,9	52	1,3	10,94	SXACM202	80C ⁽¹⁾	2	1101
256,9	52	2,2	10,94	SXACM252	80C/90S	2	2318
256,7	54	0,9	5,45	SXACM241	90L/90LA	4	2194
256,3	54	3,0	5,46	SXHCM302	90L/90LA	4	4794
254,5	55	0,9	5,50	SXHCM191	90L/90LA	4	926
252,2	56	1,7	3,69	SXHCM241	100L/100LA	6	2500

⁽¹⁾ Available only with brake motor (TBS)

5.1 SXHC/SXAC GEARED MOTORS (50Hz)

1,50 kW

n2 [rpm]	M2 [Nm]	fs	i	Gear reducer	Motor		Fr2 [N]
					Size	Pole	
252,2	56	2,8	3,69	SXHCM281	100L/100LA	6	3700
240,9	55	3,8	11,67	SXACM302	80C/90S	2	2961
240,6	58	1,7	5,82	SXHCM241	90L/90LA	4	2500
240,6	58	2,9	5,82	SXHCM281	90L/90LA	4	3700
238,9	56	2,0	11,76	SXHCM252	80C/90S	2	3735
238,1	56	3,4	11,80	SXHCM302	80C/90S	2	4905
235,0	60	1,6	4,00	SXHCM241	100L/100LA	6	2500
235,0	60	2,6	4,00	SXHCM281	100L/100LA	6	3700
225,0	61	3,9	6,22	SXACM302	90L/90LA	4	3029
224,7	61	1,7	6,23	SXHCM252	90L/90LA	4	3764
214,8	64	2,2	6,52	SXACM252	90L/90LA	4	2461
212,1	63	1,7	13,25	SXACM252	80C/90S	2	2471
212,1	66	1,7	4,38	SXACM281	100L/100LA	6	3499
207,1	64	2,9	13,57	SXHCM302	80C/90S	2	5089
204,8	65	2,0	13,72	SXHCM252	80C/90S	2	3864
198,0	70	1,4	4,70	SXHCM252	100L/100LA	6	3859
195,0	72	1,4	4,77	SXHCM241	100L/100LA	6	2500
195,0	72	2,3	4,77	SXHCM281	100L/100LA	6	3700
194,8	71	2,3	7,19	SXHCM302	90L/90LA	4	5150
193,8	68	3,1	14,50	SXACM302	80C/90S	2	3183
191,7	69	1,8	14,66	SXHCM252	80C/90S	2	3918
190,9	73	1,4	7,33	SXHCM241	90L/90LA	4	2500
190,9	73	2,3	7,33	SXHCM281	90L/90LA	4	3700
181,0	76	3,2	7,73	SXACM302	90L/90LA	4	3256
180,8	77	3,3	5,14	SXACM302	100L/100LA	6	3257
180,6	77	1,2	7,75	SXACM281	90L/90LA	4	3691
180,4	76	1,6	7,76	SXHCM252	90L/90LA	4	3939
177,1	79	1,3	5,25	SXHCM241	100L/100LA	6	2500
177,1	79	2,3	5,25	SXHCM281	100L/100LA	6	3700
176,1	75	2,5	15,96	SXHCM302	80C/90S	2	5305
172,6	80	1,6	8,11	SXACM252	90L/90LA	4	2647
170,4	78	1,3	16,49	SXACM252	80C/90S	2	2658
170,3	82	2,1	5,46	SXHCM302	100L/100LA	6	5319
167,6	79	1,8	16,77	SXHCM252	80C/90S	2	4025
167,2	83	1,2	8,38	SXHCM241	90L/90LA	4	2500
167,2	83	2,0	8,38	SXHCM281	90L/90LA	4	3700
166,2	80	2,8	16,91	SXACM302	80C/90S	2	3351
162,4	86	3,2	5,73	SXHCM352	100L/100LA	6	6961
159,8	88	1,2	5,82	SXHCM241	100L/100LA	6	2500
159,8	88	2,0	5,82	SXHCM281	100L/100LA	6	3700
157,9	87	1,5	8,87	SXHCM252	90L/90LA	4	4039
157,1	88	2,4	8,91	SXHCM302	90L/90LA	4	5431

5.1 SXHC/SXAC GEARED MOTORS (50Hz)

1,50 kW

n ₂ [rpm]	M ₂ [Nm]	f _s	i	Gear reducer	Motor		Fr ₂ [N]
					Size	Pole	
154,4	86	1,7	18,20	SXHCM252	80C/90S	2	4087
152,9	92	3,9	6,08	SXHCM381	100L/100LA	6	4000
149,5	93	2,7	6,22	SXACM302	100L/100LA	6	3471
149,3	93	1,2	6,23	SXHCM252	100L/100LA	6	4069
147,9	90	2,1	19,00	SXHCM302	80C/90S	2	5537
146,4	94	3,9	9,56	SXHCM352	90L/90LA	4	7166
145,2	95	3,2	9,64	SXACM302	90L/90LA	4	3505
141,2	94	1,6	19,90	SXHCM252	80C/90S	2	4153
140,7	94	3,7	19,97	SXHCM352	80C/90S	2	7267
138,7	96	1,2	20,26	SXACM252	80C/90S	2	2847
138,0	100	1,4	10,14	SXHCM252	90L/90LA	4	4133
137,3	97	2,3	20,46	SXACM302	80C/90S	2	3570
137,3	97	3,6	20,46	SXACM402	80C/90S	2	5270
135,7	101	2,4	10,31	SXHCM302	90L/90LA	4	5621
134,9	103	3,0	6,89	SXHCM352	100L/100LA	6	7319
133,8	99	1,9	21,00	SXHCM302	80C/90S	2	5670
129,7	102	3,4	21,67	SXHCM352	80C/90S	2	7428
129,4	107	1,6	7,19	SXHCM302	100L/100LA	6	5674
128,0	107	1,4	10,94	SXACM252	90L/90LA	4	2924
126,8	111	1,6	7,33	SXHCM281	100L/100LA	6	3700
124,0	113	3,2	7,50	SXHCM381	100L/100LA	6	4000
123,9	107	1,4	22,68	SXHCM252	80C/90S	2	4243
121,6	113	3,4	11,51	SXHCM352	90L/90LA	4	7530
121,4	109	1,8	23,15	SXHCM302	80C/90S	2	5797
120,3	115	2,2	7,73	SXACM302	100L/100LA	6	3732
120,3	115	3,5	7,73	SXACM402	100L/100LA	6	5508
120,0	115	2,4	11,67	SXACM302	90L/90LA	4	3735
120,0	115	3,8	11,67	SXACM402	90L/90LA	4	5512
119,8	116	1,1	7,76	SXHCM252	100L/100LA	6	4210
119,0	116	1,3	11,76	SXHCM252	90L/90LA	4	4226
118,6	116	2,2	11,80	SXHCM302	90L/90LA	4	5794
117,9	113	1,3	23,83	SXHCM252	80C/90S	2	4274
114,5	116	1,0	24,55	SXACM252	80C/90S	2	3035
113,7	117	3,0	24,71	SXHCM352	80C/90S	2	7692
111,0	126	1,4	8,38	SXHCM281	100L/100LA	6	3700
110,5	120	1,7	25,43	SXACM302	80C/90S	2	3839
110,5	120	2,7	25,43	SXACM402	80C/90S	2	5666
110,1	127	2,9	8,44	SXHCM381	100L/100LA	6	4000
109,1	127	2,8	8,53	SXHCM352	100L/100LA	6	7738
107,9	123	1,6	26,04	SXHCM302	80C/90S	2	5950
107,3	124	3,0	26,18	SXHCM352	80C/90S	2	7809
106,5	125	1,2	26,39	SXHCM252	80C/90S	2	4335

1,50 kW

n2 [rpm]	M2 [Nm]	fs	i	Gear reducer	Motor		Fr2 [N]
					Size	Pole	
105,7	130	1,1	13,25	SXACM252	90L/90LA	4	3117
104,9	132	1,0	8,87	SXHCM252	100L/100LA	6	4282
104,3	133	1,7	8,91	SXHCM302	100L/100LA	6	5943
103,2	133	1,9	13,57	SXHCM302	90L/90LA	4	5968
102,2	130	1,6	27,50	SXHCM302	80C/90S	2	6019
102,0	135	1,3	13,72	SXHCM252	90L/90LA	4	4309
98,8	134	2,7	28,44	SXHCM352	80C/90S	2	7976
98,3	140	3,1	14,24	SXHCM352	90L/90LA	4	7954
97,3	143	2,7	9,56	SXHCM352	100L/100LA	6	7966
96,6	142	2,0	14,50	SXACM302	90L/90LA	4	4015
96,6	142	2,9	14,50	SXACM402	90L/90LA	4	5926
96,4	144	2,2	9,64	SXACM302	100L/100LA	6	4017
96,4	144	3,4	9,64	SXACM402	100L/100LA	6	5929
95,5	144	1,2	14,66	SXHCM252	90L/90LA	4	4339
94,6	140	1,1	29,70	SXHCM252	80C/90S	2	4396
94,0	141	1,6	29,89	SXACM302	80C/90S	2	4051
94,0	141	2,4	29,89	SXACM402	80C/90S	2	5980
92,3	144	1,5	30,45	SXHCM302	80C/90S	2	6146
91,7	151	1,0	10,14	SXHCM252	100L/100LA	6	4341
90,2	154	1,6	10,31	SXHCM302	100L/100LA	6	6118
89,2	149	2,5	31,52	SXHCM352	80C/90S	2	8000
87,7	157	1,6	15,96	SXHCM302	90L/90LA	4	6163
85,2	156	2,4	33,00	SXHCM352	80C/90S	2	8000
84,9	162	0,9	16,49	SXACM252	90L/90LA	4	3353
84,4	163	2,8	16,59	SXHCM352	90L/90LA	4	8000
83,5	165	1,2	16,77	SXHCM252	90L/90LA	4	4389
82,8	166	1,8	16,91	SXACM302	90L/90LA	4	4227
82,8	166	3,0	16,91	SXACM402	90L/90LA	4	6238
82,4	161	1,3	34,10	SXHCM302	80C/90S	2	6283
80,8	172	2,4	11,51	SXHCM352	100L/100LA	6	8000
79,7	174	1,7	11,67	SXACM302	100L/100LA	6	4280
79,7	174	2,7	11,67	SXACM402	100L/100LA	6	6317
79,6	175	3,9	11,69	SXHCM402	100L/100LA	6	12000
78,8	176	1,5	11,80	SXHCM302	100L/100LA	6	6270
77,8	177	2,6	18,00	SXHCM352	90L/90LA	4	8000
77,7	171	1,3	36,17	SXACM302	80C/90S	2	4317
77,7	171	2,1	36,17	SXACM402	80C/90S	2	6372
76,9	179	1,1	18,20	SXHCM252	90L/90LA	4	4410
76,0	175	3,4	36,99	SXHCM402	80C/90S	2	12000
74,4	178	1,2	37,76	SXHCM302	80C/90S	2	6400
73,7	187	1,3	19,00	SXHCM302	90L/90LA	4	6357
73,4	189	3,9	12,67	SXHCM402	100L/100LA	6	12000

1,50 kW

n ₂ [rpm]	M ₂ [Nm]	f _s	i	Gear reducer	Motor		Fr ₂ [N]
					Size	Pole	
72,1	184	2,0	38,98	SXHCM352	80C/90S	2	8000
70,4	195	1,0	19,90	SXHCM252	90L/90LA	4	4423
70,1	196	2,3	19,97	SXHCM352	90L/90LA	4	8000
69,7	190	3,3	40,33	SXHCM402	80C/90S	2	12000
68,5	203	1,3	13,57	SXHCM302	100L/100LA	6	6415
68,4	201	1,4	20,46	SXACM302	90L/90LA	4	4504
68,4	201	2,3	20,46	SXACM402	90L/90LA	4	6647
66,7	206	1,2	21,00	SXHCM302	90L/90LA	4	6459
65,3	213	2,1	14,24	SXHCM352	100L/100LA	6	8000
64,6	213	2,2	21,67	SXHCM352	90L/90LA	4	8000
64,1	217	1,4	14,50	SXACM302	100L/100LA	6	4602
64,1	217	2,0	14,50	SXACM402	100L/100LA	6	6792
63,1	220	3,3	14,75	SXHCM402	100L/100LA	6	12000
62,6	220	0,9	22,68	SXHCM252	90L	4	4425
62,5	212	1,0	44,95	SXACM302	80C/90S	2	4641
62,5	212	1,6	44,95	SXACM402	80C/90S	2	6850
61,9	214	1,7	45,36	SXHCM352	80C/90S	2	8000
61,0	218	2,9	46,06	SXHCM402	80C/90S	2	12000
60,5	227	1,1	23,15	SXHCM302	90L/90LA	4	6551
60,2	229	3,7	23,27	SXHCM402	90L/90LA	4	12000
58,3	238	1,1	15,96	SXHCM302	100L/100LA	6	6564
57,4	226	2,8	49,45	SXHCM403	90S	2	12000
57,2	232	1,6	49,13	SXHCM352	80C/90S	2	8000
57,1	243	3,5	16,29	SXHCM402	100L/100LA	6	12000
56,7	243	1,9	24,71	SXHCM352	90L/90LA	4	8000
56,5	235	1,2	49,78	SXACM402	80C/90S	2	7087
56,4	230	1,6	49,80	SXACM403	80C/90S	2	7088
56,0	248	1,9	16,59	SXHCM352	100L/100LA	6	8000
55,1	250	1,1	25,43	SXACM302	90L/90LA	4	4842
55,1	250	1,7	25,43	SXACM402	90L/90LA	4	7147
55,0	253	1,2	16,91	SXACM302	100L/100LA	6	4844
55,0	253	2,1	16,91	SXACM402	100L/100LA	6	7150
54,5	252	3,4	25,70	SXHCM402	90L/90LA	4	12000
53,8	256	1,0	26,04	SXHCM302	90L/90LA	4	6600
53,5	257	1,9	26,18	SXHCM352	90L/90LA	4	8000
52,6	264	3,3	17,67	SXHCM402	100L/100LA	6	12000
52,0	250	2,6	54,61	SXHCM403	90S	2	12000
51,7	269	1,8	18,00	SXHCM352	100L/100LA	6	8000
50,9	270	1,0	27,50	SXHCM302	90L/90LA	4	6600
50,1	265	1,4	56,11	SXHCM352	80C/90S	2	8000
49,2	279	1,8	28,44	SXHCM352	90L/90LA	4	8000
48,9	284	0,9	19,00	SXHCM302	100L/100LA	6	6600

5.1 SXHC/SXAC GEARED MOTORS (50Hz)

1,50 kW

n2 [rpm]	M2 [Nm]	fs	i	Gear reducer	Motor		Fr2 [N]
					Size	Pole	
47,8	272	1,4	58,81	SXHCM353	80C/90S	2	8000
47,7	288	2,8	29,33	SXHCM402	90L/90LA	4	12000
46,8	294	1,0	29,89	SXACM302	90L/90LA	4	5110
46,8	294	1,5	29,89	SXACM402	90L/90LA	4	7543
46,6	279	1,3	60,25	SXACM403	80C/90S	2	7553
46,6	298	1,6	19,97	SXHCM352	100L/100LA	6	8000
46,0	299	0,9	30,45	SXHCM302	90L/90LA	4	6600
45,9	303	2,9	20,28	SXHCM402	100L/100LA	6	12000
45,5	306	1,0	20,46	SXACM302	100L/100LA	6	5162
45,5	306	1,6	20,46	SXACM402	100L/100LA	6	7618
45,4	292	1,1	61,87	SXACM402	80C/90S	2	7620
44,4	310	1,6	31,52	SXHCM352	90L/90LA	4	8000
43,8	314	2,7	32,00	SXHCM402	90L/90LA	4	12000
42,9	324	1,5	21,67	SXHCM352	100L/100LA	6	8000
42,4	324	1,5	33,00	SXHCM352	90L/90LA	4	8000
41,8	311	2,0	68,00	SXHCM403	90S	2	12000
40,0	348	2,6	23,27	SXHCM402	100L/100LA	6	12000
38,7	355	0,8	36,17	SXACM302	90L/90LA	4	5445
38,7	355	1,3	36,17	SXACM402	90L/90LA	4	8000
38,6	336	1,1	72,75	SXHCM353	80C/90S	2	8000
37,8	363	2,2	36,99	SXHCM402	90L/90LA	4	12000
37,6	369	1,3	24,71	SXHCM352	100L/100LA	6	8000
37,5	346	1,0	74,88	SXACM403	80C/90S	2	8000
36,6	380	1,2	25,43	SXACM402	100L/100LA	6	8000
36,2	384	2,3	25,70	SXHCM402	100L/100LA	6	12000
35,9	383	1,3	38,98	SXHCM352	90L/90LA	4	8000
35,6	365	3,7	78,87	SXHCM503	80C/90S	2	18000
35,5	391	1,3	26,18	SXHCM352	100L/100LA	6	8000
34,7	396	2,1	40,33	SXHCM402	90L/90LA	4	12000
32,8	396	3,4	85,56	SXHCM503	80C/90S	2	18000
32,7	425	1,2	28,44	SXHCM352	100L/100LA	6	8000
32,7	397	1,6	85,82	SXHCM403	80C/90S	2	12000
32,7	420	3,8	42,75	SXHCM502	90L/90LA	4	18000
31,7	438	1,9	29,33	SXHCM402	100L/100LA	6	12000
31,1	442	1,0	44,95	SXACM402	90L/90LA	4	8000
30,9	446	1,1	45,36	SXHCM352	90L/90LA	4	8000
30,4	452	1,9	46,06	SXHCM402	90L/90LA	4	12000
29,9	465	3,6	31,15	SXHCM502	100L/100LA	6	18000
29,7	438	1,5	94,76	SXHCM403	80C/90S	2	12000
29,5	471	1,1	31,52	SXHCM352	100L/100LA	6	8000
29,1	478	1,9	32,00	SXHCM402	100L/100LA	6	12000
29,1	473	3,4	48,13	SXHCM502	90L/90LA	4	18000

5.1 SXHC/SXAC GEARED MOTORS (50Hz)

1,50 kW

n2 [rpm]	M2 [Nm]	fs	i	Gear reducer	Motor		Fr2 [N]
					Size	Pole	
28,6	454	3,0	98,09	SXHCM503	80C/90S	2	18000
28,5	483	1,0	49,13	SXHCM352	90L/90LA	4	8000
28,3	476	1,8	49,45	SXHCM403	90L/90LA	4	12000
28,1	479	1,0	49,80	SXACM403	90L/90LA	4	8000
27,1	513	3,3	34,38	SXHCM502	100L/100LA	6	18000
25,6	525	1,6	54,61	SXHCM403	90L/90LA	4	12000
25,3	543	0,9	56,11	SXHCM352	90L	4	8000
25,1	552	1,5	36,99	SXHCM402	100L/100LA	6	12000
24,9	522	2,6	112,78	SXHCM503	80C/90S	2	18000
24,8	544	2,9	56,53	SXHCM503	90L/90LA	4	18000
24,3	554	0,9	58,81	SXHCM353	90L	4	8000
24,0	578	2,9	38,70	SXHCM502	100L/100LA	6	18000
23,8	546	1,2	118,00	SXHCM403	80C/90S	2	12000
23,2	579	0,8	60,25	SXACM403	90L/90LA	4	8000
23,1	602	1,5	40,33	SXHCM402	100L/100LA	6	12000
22,6	575	2,3	124,44	SXHCM503	80C/90S	2	18000
21,8	638	2,6	42,75	SXHCM502	100L/100LA	6	18000
20,6	654	1,3	68,00	SXHCM403	90L/90LA	4	12000
20,2	688	1,3	46,06	SXHCM402	100L/100LA	6	12000
19,8	657	2,1	142,15	SXHCM503	80C/90S	2	18000
19,6	688	2,6	71,48	SXHCM503	90L/90LA	4	18000
19,3	719	2,3	48,13	SXHCM502	100L/100LA	6	18000
18,8	723	1,2	49,45	SXHCM403	100L/100LA	6	12000
18,2	716	1,9	154,76	SXHCM503	80C/90S	2	18000
17,8	759	2,4	78,87	SXHCM503	90L/90LA	4	18000
17,7	736	3,6	160,82	SXHCM603	90S	2	22000
17,3	751	1,8	162,35	SXHCM503	80C/90S	2	18000
17,0	799	1,1	54,61	SXHCM403	100L/100LA	6	12000
16,5	827	2,0	56,53	SXHCM503	100L/100LA	6	18000
16,4	823	2,2	85,56	SXHCM503	90L/90LA	4	18000
16,3	825	1,0	85,82	SXHCM403	90L/90LA	4	12000
15,7	828	1,6	179,13	SXHCM503	80C/90S	2	18000
15,7	828	3,2	181,07	SXHCM603	90S	2	22000
14,8	911	0,9	94,76	SXHCM403	90L/90LA	4	12000
14,6	889	3,0	194,21	SXHCM603	90S	2	22000
14,4	902	1,5	195,07	SXHCM503	80C/90S	2	18000
14,3	943	1,9	98,09	SXHCM503	90L/90LA	4	18000
13,8	984	0,9	68,00	SXHCM403	100L	6	12000
13,3	1019	3,6	69,69	SXHCM603	100L/100LA	6	22000
13,2	986	2,7	215,45	SXHCM603	90S	2	22000
13,0	1045	1,8	71,48	SXHCM503	100L/100LA	6	18000
12,6	1030	1,3	222,78	SXHCM503	80C/90S	2	18000

5.1 SXHC/SXAC GEARED MOTORS (50Hz)

1,50 kW

n2 [rpm]	M2 [Nm]	fs	i	Gear reducer	Motor		Fr2 [N]
					Size	Pole	
12,4	1085	1,7	112,78	SXHCM503	90L/90LA	4	18000
11,8	1153	1,6	78,87	SXHCM503	100L/100LA	6	18000
11,7	1167	3,1	79,82	SXHCM603	100L/100LA	6	22000
11,7	1110	2,4	242,59	SXHCM603	90S	2	22000
11,3	1197	1,5	124,44	SXHCM503	90L/90LA	4	18000
11,1	1231	3,0	84,16	SXHCM603	100L/100LA	6	22000
10,9	1251	1,5	85,56	SXHCM503	100L/100LA	6	18000
10,3	1316	4,0	89,97	SXHCM703	100LA	6	30000
10,0	1365	2,7	93,36	SXHCM603	100L/100LA	6	22000
9,8	1367	1,3	142,15	SXHCM503	90L/90LA	4	18000
9,8	1379	2,5	143,42	SXHCM603	90L/90LA	4	22000
9,5	1434	1,3	98,09	SXHCM503	100L/100LA	6	18000
9,3	1463	2,5	100,07	SXHCM603	100L/100LA	6	22000
9,3	1467	3,6	100,29	SXHCM703	100L/100LA	6	30000
9,0	1489	1,2	154,76	SXHCM503	90L/90LA	4	18000
8,7	1547	2,3	160,82	SXHCM603	90L/90LA	4	22000
8,6	1561	1,2	162,35	SXHCM503	90L/90LA	4	18000
8,6	1584	3,3	108,34	SXHCM703	100L/100LA	6	30000
8,2	1649	1,1	112,78	SXHCM503	100L/100LA	6	18000
7,8	1723	1,0	179,13	SXHCM503	90L/90LA	4	18000
7,8	1735	3,0	118,62	SXHCM703	100L/100LA	6	30000
7,7	1767	2,1	120,84	SXHCM603	100L/100LA	6	22000
7,7	1742	2,0	181,07	SXHCM603	90L/90LA	4	22000
7,5	1820	1,0	124,44	SXHCM503	100L/100LA	6	18000
7,3	1874	2,8	128,18	SXHCM703	100L/100LA	6	30000
7,2	1876	1,0	195,07	SXHCM503	90L/90LA	4	18000
7,2	1868	1,9	194,21	SXHCM603	90L/90LA	4	22000
6,9	1960	1,9	134,06	SXHCM603	100L/100LA	6	22000
6,5	2079	0,9	142,15	SXHCM503	100L/100LA	6	18000
6,5	2097	1,8	143,42	SXHCM603	100L/100LA	6	22000
6,5	2072	1,7	215,45	SXHCM603	90L/90LA	4	22000
6,4	2117	2,5	144,79	SXHCM703	100L/100LA	6	30000
6,0	2270	2,3	155,22	SXHCM703	100L/100LA	6	30000
5,8	2352	1,6	160,82	SXHCM603	100L/100LA	6	22000
5,8	2333	1,5	242,59	SXHCM603	90L/90LA	4	22000
5,4	2527	2,1	172,80	SXHCM703	100L/100LA	6	30000
5,1	2648	1,4	181,07	SXHCM603	100L/100LA	6	22000
4,9	2767	1,9	189,19	SXHCM703	100L/100LA	6	30000
4,8	2840	1,3	194,21	SXHCM603	100L/100LA	6	22000
4,5	3033	1,7	207,43	SXHCM703	100L/100LA	6	30000
4,3	3151	1,2	215,45	SXHCM603	100L/100LA	6	22000
4,0	3377	1,6	230,92	SXHCM703	100L/100LA	6	30000

1,50 kW

n2 [rpm]	M2 [Nm]	fs	i	Gear reducer	Motor Size	Pole	Fr2 [N]
3,8	3548	1,1	242,59	SXHCM603	100L/100LA	6	22000
3,6	3797	1,4	259,64	SXHCM703	100L/100LA	6	30000

1,85 kW

n2 [rpm]	M2 [Nm]	fs	i	Gear reducer	Motor Size	Pole	Fr2 [N]
1100,0	16	2,9	1,27	SXHCM241	90LB ⁽¹⁾	4	1757
986,4	17	3,7	1,42	SXHCM241	90LB ⁽¹⁾	4	1814
973,9	18	1,6	1,44	SXHCM191	90LB ⁽¹⁾	4	676
966,7	18	2,3	1,45	SXACM241	90LB ⁽¹⁾	4	1410
730,7	24	2,0	1,27	SXHCM241	100LB	6	1976
700,0	24	1,1	2,00	SXHCM191	90LB ⁽¹⁾	4	731
697,5	25	3,8	1,33	SXACM281	100LB	6	2353
658,8	26	2,5	2,13	SXHCM241	90LB ⁽¹⁾	4	2036
655,2	26	2,6	1,42	SXHCM241	100LB	6	2037
560,0	31	2,9	2,50	SXACM281	90LB ⁽¹⁾	4	2531
550,0	31	1,1	2,55	SXHCM191	90LB ⁽¹⁾	4	770
544,4	31	2,4	2,57	SXHCM241	90LB ⁽¹⁾	4	2145
515,8	33	1,0	2,71	SXHCM191	90LB ⁽¹⁾	4	780
475,5	36	1,1	2,94	SXACM241	90LB ⁽¹⁾	4	1786
450,8	38	1,2	3,11	SXHCM191	90LB ⁽¹⁾	4	800
442,1	39	2,2	3,17	SXHCM241	90LB ⁽¹⁾	4	2267
442,1	39	3,6	3,17	SXHCM281	90LB ⁽¹⁾	4	3414
437,6	40	1,7	2,13	SXHCM241	100LB	6	2271
437,6	40	3,5	2,13	SXHCM281	100LB	6	3423
390,2	44	1,0	3,59	SXHCM191	90LB ⁽¹⁾	4	820
379,7	45	2,0	3,69	SXHCM241	90LB ⁽¹⁾	4	2358
379,7	45	3,3	3,69	SXHCM281	90LB ⁽¹⁾	4	3573
372,0	47	2,0	2,50	SXACM281	100LB	6	2901
361,7	48	1,6	2,57	SXHCM241	100LB	6	2384
361,7	48	3,1	2,57	SXHCM281	100LB	6	3622
350,0	49	1,8	4,00	SXHCM241	90LB ⁽¹⁾	4	2406
350,0	49	3,1	4,00	SXHCM281	90LB ⁽¹⁾	4	3659
319,3	54	2,0	4,38	SXACM281	90LB ⁽¹⁾	4	3053
298,1	57	1,7	4,70	SXHCM252	90LB ⁽¹⁾	4	3417
294,7	58	0,9	4,75	SXACM241	90LB ⁽¹⁾	4	2095
293,7	59	1,5	3,17	SXHCM241	100LB	6	2500
293,7	59	2,5	3,17	SXHCM281	100LB	6	3700
293,5	58	1,6	4,77	SXHCM241	90LB ⁽¹⁾	4	2500
293,5	58	2,7	4,77	SXHCM281	90LB ⁽¹⁾	4	3700
272,2	62	3,9	5,14	SXACM302	90LB ⁽¹⁾	4	2842
266,7	64	1,6	5,25	SXHCM241	90LB ⁽¹⁾	4	2500

⁽¹⁾ Available only with brake motor (TBS)

1,85 kW

n2 [rpm]	M2 [Nm]	fs	i	Gear reducer	Motor		Fr2 [N]
					Size	Pole	
266,7	64	2,6	5,25	SXHCM281	90LB ⁽¹⁾	4	3700
260,3	65	2,1	5,38	SXACM252	90LB ⁽¹⁾	4	2308
256,3	66	2,4	5,46	SXHCM302	90LB ⁽¹⁾	4	4690
252,2	69	1,4	3,69	SXHCM241	100LB	6	2500
252,2	69	2,3	3,69	SXHCM281	100LB	6	3700
244,4	69	3,7	5,73	SXHCM352	90LB ⁽¹⁾	4	6117
240,6	71	1,4	5,82	SXHCM241	90LB ⁽¹⁾	4	2500
240,6	71	2,4	5,82	SXHCM281	90LB ⁽¹⁾	4	3700
232,5	74	1,3	4,00	SXHCM241	100LB	6	2500
232,5	74	2,1	4,00	SXHCM281	100LB	6	3700
225,0	75	3,2	6,22	SXACM302	90LB ⁽¹⁾	4	3029
224,7	75	1,4	6,23	SXHCM252	90LB ⁽¹⁾	4	3616
214,8	79	1,8	6,52	SXACM252	90LB ⁽¹⁾	4	2461
212,1	82	1,4	4,38	SXACM281	100LB	6	3499
203,1	84	3,5	6,89	SXHCM352	90LB ⁽¹⁾	4	6438
199,3	87	3,9	4,67	SXHCM381	100LB	6	4000
198,0	86	1,2	4,70	SXHCM252	100LB	6	3689
195,0	89	1,1	4,77	SXHCM241	100LB	6	2500
195,0	89	1,9	4,77	SXHCM281	100LB	6	3700
194,8	87	1,8	7,19	SXHCM302	90LB ⁽¹⁾	4	5013
190,9	90	1,1	7,33	SXHCM241	90LB ⁽¹⁾	4	2500
190,9	90	1,9	7,33	SXHCM281	90LB ⁽¹⁾	4	3700
186,7	92	3,8	7,50	SXHCM381	90LB ⁽¹⁾	4	4000
181,0	94	2,6	7,73	SXACM302	90LB ⁽¹⁾	4	3256
180,8	95	2,7	5,14	SXACM302	100LB	6	3257
180,6	95	0,9	7,75	SXACM281	90LB ⁽¹⁾	4	3691
180,4	94	1,3	7,76	SXHCM252	90LB ⁽¹⁾	4	3754
177,1	98	1,1	5,25	SXHCM241	100LB	6	2500
177,1	98	1,8	5,25	SXHCM281	100LB	6	3700
172,6	98	1,3	8,11	SXACM252	90LB ⁽¹⁾	4	2647
170,3	101	1,7	5,46	SXHCM302	100LB	6	5162
167,9	103	3,4	5,54	SXHCM381	100LB	6	4000
167,2	103	1,0	8,38	SXHCM241	90LB ⁽¹⁾	4	2500
167,2	103	1,7	8,38	SXHCM281	90LB ⁽¹⁾	4	3700
165,8	103	3,4	8,44	SXHCM381	90LB ⁽¹⁾	4	4000
164,2	103	3,3	8,53	SXHCM352	90LB ⁽¹⁾	4	6815
162,4	105	2,6	5,73	SXHCM352	100LB	6	6827
159,8	108	1,0	5,82	SXHCM241	100LB	6	2500
159,8	108	1,6	5,82	SXHCM281	100LB	6	3700
157,9	107	1,2	8,87	SXHCM252	90LB ⁽¹⁾	4	3827
157,1	108	1,9	8,91	SXHCM302	90LB ⁽¹⁾	4	5262
152,9	113	3,2	6,08	SXHCM381	100LB	6	4000

⁽¹⁾ Available only with brake motor (TBS)

1,85 kW

n ₂ [rpm]	M ₂ [Nm]	f _s	i	Gear reducer	Motor		Fr ₂ [N]
					Size	Pole	
149,5	115	2,2	6,22	SXACM302	100LB	6	3471
149,5	115	3,5	6,22	SXACM402	100LB	6	5123
149,3	115	1,0	6,23	SXHCM252	100LB	6	3843
146,4	116	3,2	9,56	SXHCM352	90LB ⁽¹⁾	4	7020
145,2	117	2,6	9,64	SXACM302	90LB ⁽¹⁾	4	3505
145,2	117	3,9	9,64	SXACM402	90LB ⁽¹⁾	4	5173
138,0	123	1,1	10,14	SXHCM252	90LB ⁽¹⁾	4	3891
135,7	125	1,9	10,31	SXHCM302	90LB ⁽¹⁾	4	5425
134,9	127	2,4	6,89	SXHCM352	100LB	6	7159
129,4	132	1,3	7,19	SXHCM302	100LB	6	5466
128,0	132	1,1	10,94	SXACM252	90LB ⁽¹⁾	4	2924
126,8	136	1,3	7,33	SXHCM281	100LB	6	3700
124,0	140	2,6	7,50	SXHCM381	100LB	6	4000
121,6	139	2,8	11,51	SXHCM352	90LB ⁽¹⁾	4	7354
120,3	142	1,8	7,73	SXACM302	100LB	6	3732
120,3	142	2,8	7,73	SXACM402	100LB	6	5508
120,0	141	2,0	11,67	SXACM302	90LB ⁽¹⁾	4	3735
120,0	141	3,1	11,67	SXACM402	90LB ⁽¹⁾	4	5512
119,8	143	0,9	7,76	SXHCM252	100LB	6	3929
119,0	142	1,0	11,76	SXHCM252	90LB ⁽¹⁾	4	3946
118,6	143	1,7	11,80	SXHCM302	90LB ⁽¹⁾	4	5569
111,0	156	1,1	8,38	SXHCM281	100LB	6	3700
110,1	157	2,3	8,44	SXHCM381	100LB	6	4000
109,1	157	2,3	8,53	SXHCM352	100LB	6	7540
105,7	161	0,9	13,25	SXACM252	90LB ⁽¹⁾	4	3117
104,3	164	1,3	8,91	SXHCM302	100LB	6	5686
103,2	164	1,5	13,57	SXHCM302	90LB ⁽¹⁾	4	5710
102,0	166	1,0	13,72	SXHCM252	90LB ⁽¹⁾	4	3982
99,1	173	3,6	9,39	SXHCM402	100LB	6	12000
98,3	172	2,5	14,24	SXHCM352	90LB ⁽¹⁾	4	7736
97,3	176	2,2	9,56	SXHCM352	100LB	6	7744
96,6	176	1,6	14,50	SXACM302	90LB ⁽¹⁾	4	4015
96,6	176	2,4	14,50	SXACM402	90LB ⁽¹⁾	4	5926
96,4	178	1,8	9,64	SXACM302	100LB	6	4017
96,4	178	2,7	9,64	SXACM402	100LB	6	5929
95,5	178	1,0	14,66	SXHCM252	90LB ⁽¹⁾	4	3990
94,9	179	3,9	14,75	SXHCM402	90LB ⁽¹⁾	4	12000
90,2	190	1,3	10,31	SXHCM302	100LB	6	5820
87,7	193	1,3	15,96	SXHCM302	90LB ⁽¹⁾	4	5859
84,4	201	2,2	16,59	SXHCM352	90LB ⁽¹⁾	4	8000
83,5	203	0,9	16,77	SXHCM252	90LB ⁽¹⁾	4	3989
82,8	205	1,5	16,91	SXACM302	90LB ⁽¹⁾	4	4227

⁽¹⁾ Available only with brake motor (TBS)

1,85 kW

n ₂ [rpm]	M ₂ [Nm]	f _s	i	Gear reducer	Motor		Fr ₂ [N]
					Size	Pole	
82,8	205	2,4	16,91	SXACM402	90LB ⁽¹⁾	4	6238
80,8	212	1,9	11,51	SXHCM352	100LB	6	8000
79,7	215	1,4	11,67	SXACM302	100LB	6	4280
79,7	215	2,1	11,67	SXACM402	100LB	6	6317
79,6	215	3,2	11,69	SXHCM402	100LB	6	12000
79,2	214	3,9	17,67	SXHCM402	90LB ⁽¹⁾	4	12000
78,8	217	1,2	11,80	SXHCM302	100LB	6	5928
77,8	218	2,1	18,00	SXHCM352	90LB ⁽¹⁾	4	8000
76,9	220	0,9	18,20	SXHCM252	90LB ⁽¹⁾	4	3976
73,7	230	1,1	19,00	SXHCM302	90LB ⁽¹⁾	4	5996
73,4	233	3,2	12,67	SXHCM402	100LB	6	12000
70,1	242	1,9	19,97	SXHCM352	90LB ⁽¹⁾	4	8000
69,0	246	3,5	20,28	SXHCM402	90LB ⁽¹⁾	4	12000
68,5	250	1,1	13,57	SXHCM302	100LB	6	6023
68,4	248	1,2	20,46	SXACM302	90LB ⁽¹⁾	4	4504
68,4	248	1,9	20,46	SXACM402	90LB ⁽¹⁾	4	6647
66,7	254	1,0	21,00	SXHCM302	90LB ⁽¹⁾	4	6060
65,3	262	1,7	14,24	SXHCM352	100LB	6	8000
64,6	262	1,8	21,67	SXHCM352	90LB ⁽¹⁾	4	8000
64,1	267	1,1	14,50	SXACM302	100LB	6	4602
64,1	267	1,7	14,50	SXACM402	100LB	6	6792
63,1	272	2,7	14,75	SXHCM402	100LB	6	12000
60,5	280	0,9	23,15	SXHCM302	90LB ⁽¹⁾	4	6111
60,2	282	3,0	23,27	SXHCM402	90LB ⁽¹⁾	4	12000
57,1	300	2,8	16,29	SXHCM402	100LB	6	12000
56,7	299	1,6	24,71	SXHCM352	90LB ⁽¹⁾	4	8000
56,0	306	1,5	16,59	SXHCM352	100LB	6	8000
55,1	308	0,9	25,43	SXACM302	90LB ⁽¹⁾	4	4842
55,1	308	1,4	25,43	SXACM402	90LB ⁽¹⁾	4	7147
55,0	312	1,0	16,91	SXACM302	100LB	6	4844
55,0	312	1,7	16,91	SXACM402	100LB	6	7150
54,5	311	2,7	25,70	SXHCM402	90LB ⁽¹⁾	4	12000
53,5	317	1,5	26,18	SXHCM352	90LB ⁽¹⁾	4	8000
52,6	325	2,7	17,67	SXHCM402	100LB	6	12000
51,7	332	1,5	18,00	SXHCM352	100LB	6	8000
49,2	345	1,4	28,44	SXHCM352	90LB ⁽¹⁾	4	8000
47,7	355	2,3	29,33	SXHCM402	90LB ⁽¹⁾	4	12000
46,8	362	0,8	29,89	SXACM302	90LB ⁽¹⁾	4	5110
46,8	362	1,2	29,89	SXACM402	90LB ⁽¹⁾	4	7543
46,6	368	1,3	19,97	SXHCM352	100LB	6	8000
45,9	374	2,4	20,28	SXHCM402	100LB	6	12000
45,5	377	0,8	20,46	SXACM302	100LB	6	5162

⁽¹⁾ Available only with brake motor (TBS)

1,85 kW

n2 [rpm]	M2 [Nm]	fs	i	Gear reducer	Motor		Fr2 [N]
					Size	Pole	
45,5	377	1,3	20,46	SXACM402	100LB	6	7618
44,4	382	1,3	31,52	SXHCM352	90LB ⁽¹⁾	4	8000
43,8	388	2,2	32,00	SXHCM402	90LB ⁽¹⁾	4	12000
42,9	399	1,2	21,67	SXHCM352	100LB	6	8000
42,4	400	1,2	33,00	SXHCM352	90LB ⁽¹⁾	4	8000
40,7	416	3,8	34,38	SXHCM502	90LB ⁽¹⁾	4	18000
40,0	429	2,1	23,27	SXHCM402	100LB	6	12000
38,7	438	1,1	36,17	SXACM402	90LB ⁽¹⁾	4	8000
37,8	448	1,8	36,99	SXHCM402	90LB ⁽¹⁾	4	12000
37,6	455	1,1	24,71	SXHCM352	100LB	6	8000
36,6	468	1,0	25,43	SXACM402	100LB	6	8000
36,2	473	1,9	25,70	SXHCM402	100LB	6	12000
36,2	469	3,4	38,70	SXHCM502	90LB ⁽¹⁾	4	18000
35,9	472	1,0	38,98	SXHCM352	90LB ⁽¹⁾	4	8000
35,5	482	1,1	26,18	SXHCM352	100LB	6	8000
35,0	490	3,4	26,60	SXHCM502	100LB	6	18000
34,7	489	1,7	40,33	SXHCM402	90LB ⁽¹⁾	4	12000
33,4	514	3,3	27,88	SXHCM502	100LB	6	18000
32,7	524	1,0	28,44	SXHCM352	100LB	6	8000
32,7	518	3,1	42,75	SXHCM502	90LB ⁽¹⁾	4	18000
31,7	540	1,6	29,33	SXHCM402	100LB	6	12000
31,1	545	0,8	44,95	SXACM402	90LB ⁽¹⁾	4	8000
30,4	558	1,5	46,06	SXHCM402	90LB ⁽¹⁾	4	12000
29,9	574	2,9	31,15	SXHCM502	100LB	6	18000
29,1	589	1,5	32,00	SXHCM402	100LB	6	12000
29,1	583	2,7	48,13	SXHCM502	90LB ⁽¹⁾	4	18000
28,3	587	1,4	49,45	SXHCM403	90LB ⁽¹⁾	4	12000
28,1	591	0,8	49,80	SXACM403	90LB ⁽¹⁾	4	8000
27,1	633	2,7	34,38	SXHCM502	100LB	6	18000
25,6	648	1,3	54,61	SXHCM403	90LB ⁽¹⁾	4	12000
25,1	681	1,2	36,99	SXHCM402	100LB	6	12000
24,8	671	2,4	56,53	SXHCM503	90LB ⁽¹⁾	4	18000
24,0	713	2,4	38,70	SXHCM502	100LB	6	18000
23,1	743	1,2	40,33	SXHCM402	100LB	6	12000
21,8	787	2,1	42,75	SXHCM502	100LB	6	18000
20,6	807	1,1	68,00	SXHCM403	90LB ⁽¹⁾	4	12000
20,2	848	1,1	46,06	SXHCM402	100LB	6	12000
19,6	848	2,1	71,48	SXHCM503	90LB ⁽¹⁾	4	18000
19,3	887	1,9	48,13	SXHCM502	100LB	6	18000
18,8	892	1,0	49,45	SXHCM403	100LB	6	12000
18,1	949	3,7	51,52	SXHCM602	100LB	6	22000
17,8	936	1,9	78,87	SXHCM503	90LB ⁽¹⁾	4	18000

⁽¹⁾ Available only with brake motor (TBS)

1,85 kW

n ₂ [rpm]	M ₂ [Nm]	f _s	i	Gear reducer	Motor		Fr ₂ [N]
					Size	Pole	
17,0	985	0,9	54,61	SXHCM403	100LB	6	12000
16,5	1019	1,6	56,53	SXHCM503	100LB	6	18000
16,4	1015	1,8	85,56	SXHCM503	90LB ⁽¹⁾	4	18000
14,3	1164	1,5	98,09	SXHCM503	90LB ⁽¹⁾	4	18000
13,3	1257	2,9	69,69	SXHCM603	100LB	6	22000
13,0	1289	1,5	71,48	SXHCM503	100LB	6	18000
12,6	1329	3,9	73,71	SXHCM703	100LB	6	30000
12,4	1338	1,3	112,78	SXHCM503	90LB ⁽¹⁾	4	18000
11,8	1423	1,3	78,87	SXHCM503	100LB	6	18000
11,7	1440	2,6	79,82	SXHCM603	100LB	6	22000
11,3	1476	1,2	124,44	SXHCM503	90LB ⁽¹⁾	4	18000
11,2	1503	3,5	83,34	SXHCM703	100LB	6	30000
11,1	1518	2,4	84,16	SXHCM603	100LB	6	22000
10,9	1543	1,2	85,56	SXHCM503	100LB	6	18000
10,3	1623	3,2	89,97	SXHCM703	100LB	6	30000
10,0	1684	2,2	93,36	SXHCM603	100LB	6	22000
9,8	1686	1,1	142,15	SXHCM503	90LB ⁽¹⁾	4	18000
9,8	1701	2,1	143,42	SXHCM603	90LB ⁽¹⁾	4	22000
9,5	1769	1,1	98,09	SXHCM503	100LB	6	18000
9,3	1805	2,0	100,07	SXHCM603	100LB	6	22000
9,3	1809	2,9	100,29	SXHCM703	100LB	6	30000
9,0	1836	1,0	154,76	SXHCM503	90LB ⁽¹⁾	4	18000
8,7	1908	1,8	160,82	SXHCM603	90LB ⁽¹⁾	4	22000
8,6	1926	0,9	162,35	SXHCM503	90LB ⁽¹⁾	4	18000
8,6	1954	2,7	108,34	SXHCM703	100LB	6	30000
8,2	2034	0,9	112,78	SXHCM503	100LB	6	18000
7,8	2139	2,5	118,62	SXHCM703	100LB	6	30000
7,7	2179	1,7	120,84	SXHCM603	100LB	6	22000
7,7	2148	1,6	181,07	SXHCM603	90LB ⁽¹⁾	4	22000
7,3	2312	2,3	128,18	SXHCM703	100LB	6	30000
7,2	2304	1,5	194,21	SXHCM603	90LB ⁽¹⁾	4	22000
6,9	2418	1,5	134,06	SXHCM603	100LB	6	22000
6,5	2587	1,4	143,42	SXHCM603	100LB	6	22000
6,5	2556	1,4	215,45	SXHCM603	90LB ⁽¹⁾	4	22000
6,4	2611	2,0	144,79	SXHCM703	100LB	6	30000
6,0	2800	1,9	155,22	SXHCM703	100LB	6	30000
5,8	2901	1,3	160,82	SXHCM603	100LB	6	22000
5,8	2878	1,3	242,59	SXHCM603	90LB ⁽¹⁾	4	22000
5,4	3117	1,7	172,80	SXHCM703	100LB	6	30000
5,1	3266	1,1	181,07	SXHCM603	100LB	6	22000
4,9	3412	1,5	189,19	SXHCM703	100LB	6	30000
4,8	3503	1,0	194,21	SXHCM603	100LB	6	22000

⁽¹⁾ Available only with brake motor (TBS)

5.1 SXHC/SXAC GEARED MOTORS (50Hz)

1,85 kW

n2 [rpm]	M2 [Nm]	fs	i	Gear reducer	Motor Size	Pole	Fr2 [N]
4,5	3741	1,4	207,43	SXHCM703	100LB	6	30000
4,3	3886	0,9	215,45	SXHCM603	100LB	6	22000
4,0	4165	1,3	230,92	SXHCM703	100LB	6	30000
3,6	4683	1,1	259,64	SXHCM703	100LB	6	30000

2,20 kW

n2 [rpm]	M2 [Nm]	fs	i	Gear reducer	Motor Size	Pole	Fr2 [N]
2262,9	9	3,9	1,27	SXHCM241	90L	2	1407
2003,5	10	2,1	1,44	SXHCM191	90L	2	552
1988,6	10	3,0	1,45	SXACM241	90L	2	1109
1440,0	14	1,5	2,00	SXHCM191	90L	2	602
1355,3	15	3,4	2,13	SXHCM241	90L	2	1641
1152,0	17	4,0	2,50	SXACM281	90L	2	1990
1123,6	18	1,5	2,55	SXHCM191	90L	2	641
1123,6	18	2,5	1,27	SXHCM241	100LA/112MR	4	1729
1120,0	18	3,2	2,57	SXHCM241	90L	2	1735
1061,1	19	1,4	2,71	SXHCM191	90L	2	650
1007,5	20	3,2	1,42	SXHCM241	100LA/112MR	4	1784
978,1	20	1,5	2,94	SXACM241	90L	2	1404
927,5	21	1,6	3,11	SXHCM191	90L	2	671
909,5	22	2,9	3,17	SXHCM241	90L	2	1841
802,6	25	1,4	3,59	SXHCM191	90L	2	694
781,0	25	2,7	3,69	SXHCM241	90L	2	1921
730,7	28	1,7	1,27	SXHCM241	112M/112MA	6	1949
715,0	28	2,5	4,00	SXHCM241	90L	2	1968
697,5	30	3,2	1,33	SXACM281	112M/112MA	6	2353
692,1	30	3,5	1,34	SXHCM281	112M/112MA	6	2960
685,7	29	1,2	4,20	SXHCM191	90L	2	717
672,9	30	2,1	2,13	SXHCM241	100LA/112MR	4	1995
656,8	30	2,8	4,38	SXACM281	90L	2	2400
655,2	31	2,2	1,42	SXHCM241	112M/112MA	6	2007
613,3	32	2,2	4,70	SXHCM252	90L	2	2830
603,9	33	2,2	4,77	SXHCM241	90L	2	2060
603,9	33	3,7	4,77	SXHCM281	90L	2	3090
602,1	33	1,1	4,75	SXACM241	90L	2	1651
572,0	36	2,5	2,50	SXACM281	100LA/112MR	4	2514
556,1	37	2,0	2,57	SXHCM241	100LA/112MR	4	2098
556,1	37	3,8	2,57	SXHCM281	100LA/112MR	4	3162
548,6	36	2,1	5,25	SXHCM241	90L	2	2113
548,6	36	3,6	5,25	SXHCM281	90L	2	3181
531,7	37	2,9	5,38	SXACM252	90L	2	1819

2,20 kW

n ₂ [rpm]	M ₂ [Nm]	f _s	i	Gear reducer	Motor		Fr ₂ [N]
					Size	Pole	
528,0	37	1,0	5,45	SXACM241	90L	2	1725
527,2	37	3,3	5,46	SXHCM302	90L	2	3823
495,0	40	1,9	5,82	SXHCM241	90L	2	2170
495,0	40	3,2	5,82	SXHCM281	90L	2	3280
462,3	42	1,9	6,23	SXHCM252	90L	2	3031
451,6	45	1,9	3,17	SXHCM241	100LA/112MR	4	2212
451,6	45	3,1	3,17	SXHCM281	100LA/112MR	4	3364
441,9	44	2,4	6,52	SXACM252	90L	2	1935
437,6	47	1,5	2,13	SXHCM241	112M/112MA	6	2226
437,6	47	2,9	2,13	SXHCM281	112M/112MA	6	3393
400,7	49	2,5	7,19	SXHCM302	90L	2	4118
392,7	50	1,5	7,33	SXHCM241	90L	2	2299
392,7	50	2,5	7,33	SXHCM281	90L	2	3511
387,8	53	1,7	3,69	SXHCM241	100LA/112MR	4	2295
387,8	53	2,9	3,69	SXHCM281	100LA/112MR	4	3517
372,0	55	1,7	2,50	SXACM281	112M/112MA	6	2901
371,6	53	1,3	7,75	SXACM281	90L	2	2902
369,8	53	3,4	7,73	SXACM302	90L	2	2566
368,4	53	1,8	7,76	SXHCM252	90L	2	3189
361,7	57	1,4	2,57	SXHCM241	112M/112MA	6	2329
361,7	57	2,6	2,57	SXHCM281	112M/112MA	6	3586
357,5	57	1,6	4,00	SXHCM241	100LA/112MR	4	2339
357,5	57	2,6	4,00	SXHCM281	100LA/112MR	4	3601
355,1	55	1,8	8,11	SXACM252	90L	2	2081
341,5	58	1,3	8,38	SXHCM241	90L	2	2376
341,5	58	2,2	8,38	SXHCM281	90L	2	3657
324,8	60	1,6	8,87	SXHCM252	90L	2	3274
323,9	63	1,7	4,38	SXACM281	100LA/112MR	4	3038
320,9	61	2,6	8,91	SXHCM302	90L	2	4361
302,4	67	1,4	4,70	SXHCM252	100LA/112MR	4	3297
299,8	68	1,4	4,77	SXHCM241	100LA/112MR	4	2433
299,8	68	2,4	4,77	SXHCM281	100LA/112MR	4	3700
296,6	66	3,4	9,64	SXACM302	90L	2	2762
293,7	70	1,3	3,17	SXHCM241	112M/112MA	6	2440
293,7	70	2,1	3,17	SXHCM281	112M/112MA	6	3700
283,9	69	1,5	10,14	SXHCM252	90L	2	3361
279,2	70	2,6	10,31	SXHCM302	90L	2	4515
278,1	73	3,3	5,14	SXACM302	100LA/112MR	4	2822
272,4	75	1,3	5,25	SXHCM241	100LA/112MR	4	2483
272,4	75	2,3	5,25	SXHCM281	100LA/112MR	4	3700
263,3	74	1,5	10,94	SXACM252	90L	2	2299
260,0	78	2,1	5,46	SXHCM302	100LA/112MR	4	4571

5.1 SXHC/SXAC GEARED MOTORS (50Hz)

2,20 kW

n2 [rpm]	M2 [Nm]	fs	i	Gear reducer	Motor		Fr2 [N]
					Size	Pole	
252,2	82	1,2	3,69	SXHCM241	112M/112MA	6	2500
252,2	82	1,9	3,69	SXHCM281	112M/112MA	6	3700
250,2	78	3,8	11,51	SXHCM352	90L	2	6011
249,7	81	3,2	5,73	SXHCM352	100LA/112MR	4	5995
246,9	79	2,7	11,67	SXACM302	90L	2	2936
244,1	84	1,2	5,82	SXHCM241	100LA/112MR	4	2500
244,1	84	2,0	5,82	SXHCM281	100LA/112MR	4	3700
244,1	80	2,4	11,80	SXHCM302	90L	2	4663
243,2	80	1,4	11,76	SXHCM252	90L	2	3455
235,1	87	3,9	6,08	SXHCM381	100LA	4	4000
232,5	89	1,1	4,00	SXHCM241	112M/112MA	6	2500
232,5	89	1,8	4,00	SXHCM281	112M/112MA	6	3700
232,5	89	3,8	4,00	SXHCM381	112M/112MA	6	4000
229,8	88	2,7	6,22	SXACM302	100LA/112MR	4	3007
229,6	88	1,2	6,23	SXHCM252	100LA/112MR	4	3456
217,4	90	1,2	13,25	SXACM252	90L	2	2451
212,2	92	2,0	13,57	SXHCM302	90L	2	4815
212,1	97	1,2	4,38	SXACM281	112M/112MA	6	3499
209,9	93	1,4	13,72	SXHCM252	90L	2	3537
206,0	98	3,0	6,89	SXHCM352	100LA/112MR	4	6309
200,9	97	3,3	14,24	SXHCM352	90L	2	6374
199,3	103	3,3	4,67	SXHCM381	112M/112MA	6	4000
197,6	102	1,6	7,19	SXHCM302	100LA/112MR	4	4862
197,2	99	2,1	14,50	SXACM302	90L	2	3164
197,2	99	3,2	14,50	SXACM402	90L	2	4671
195,1	100	1,3	14,66	SXHCM252	90L	2	3574
195,0	106	0,9	4,77	SXHCM241	112M/112MA	6	2500
195,0	106	1,6	4,77	SXHCM281	112M/112MA	6	3700
195,0	105	1,6	7,33	SXHCM281	100LA/112MR	4	3700
189,3	108	3,3	7,50	SXHCM381	100LA/112MR	4	4000
183,6	110	2,2	7,73	SXACM302	100LA/112MR	4	3241
183,6	110	3,5	7,73	SXACM402	100LA/112MR	4	4783
182,9	110	1,1	7,76	SXHCM252	100LA/112MR	4	3563
180,8	113	2,2	5,14	SXACM302	112M/112MA	6	3257
180,8	113	3,5	5,14	SXACM402	112M/112MA	6	4808
179,2	109	1,7	15,96	SXHCM302	90L	2	4995
177,1	116	0,9	5,25	SXHCM241	112M/112MA	6	2500
177,1	116	1,5	5,25	SXHCM281	112M/112MA	6	3700
172,4	113	3,0	16,59	SXHCM352	90L	2	6631
170,6	114	1,2	16,77	SXHCM252	90L	2	3633
170,3	120	1,4	5,46	SXHCM302	112M/112MA	6	5004
169,6	120	1,4	8,38	SXHCM281	100LA/112MR	4	3700

2,20 kW

n2 [rpm]	M2 [Nm]	fs	i	Gear reducer	Motor		Fr2 [N]
					Size	Pole	
169,1	115	2,0	16,91	SXACM302	90L	2	3331
169,1	115	3,3	16,91	SXACM402	90L	2	4917
168,2	121	2,9	8,44	SXHCM381	100LA/112MR	4	4000
167,9	123	2,8	5,54	SXHCM381	112M/112MA	6	4000
166,5	121	2,8	8,53	SXHCM352	100LA/112MR	4	6660
162,4	125	2,2	5,73	SXHCM352	112M/112MA	6	6694
160,2	126	1,0	8,87	SXHCM252	100LA/112MR	4	3612
160,0	122	2,8	18,00	SXHCM352	90L	2	6756
159,8	129	1,4	5,82	SXHCM281	112M/112MA	6	3700
159,3	127	1,7	8,91	SXHCM302	100LA/112MR	4	5079
157,1	124	1,2	18,20	SXHCM252	90L	2	3664
152,9	135	2,7	6,08	SXHCM381	112M/112MA	6	4000
150,5	129	1,5	19,00	SXHCM302	90L	2	5172
149,5	136	1,8	6,22	SXACM302	112M/112MA	6	3471
149,5	136	2,9	6,22	SXACM402	112M/112MA	6	5123
148,5	136	2,7	9,56	SXHCM352	100LA/112MR	4	6850
147,3	137	2,2	9,64	SXACM302	100LA/112MR	4	3488
147,3	137	3,4	9,64	SXACM402	100LA/112MR	4	5149
143,7	135	1,1	19,90	SXHCM252	90L	2	3692
143,2	136	2,5	19,97	SXHCM352	90L	2	6943
140,0	144	1,0	10,14	SXHCM252	100LA/112MR	4	3647
139,8	139	1,6	20,46	SXACM302	90L	2	3549
139,8	139	2,5	20,46	SXACM402	90L	2	5239
137,7	147	1,6	10,31	SXHCM302	100LA/112MR	4	5216
136,2	143	1,3	21,00	SXHCM302	90L	2	5269
134,9	151	2,0	6,89	SXHCM352	112M/112MA	6	6998
132,0	147	2,4	21,67	SXHCM352	90L	2	7080
126,8	162	1,1	7,33	SXHCM281	112M/112MA	6	3700
125,8	162	3,6	7,39	SXHCM402	112M/112MA	6	12000
124,0	166	2,2	7,50	SXHCM381	112M/112MA	6	4000
123,6	158	1,2	23,15	SXHCM302	90L	2	5359
123,4	163	2,4	11,51	SXHCM352	100LA/112MR	4	7155
121,7	166	1,7	11,67	SXACM302	100LA/112MR	4	3717
121,7	166	2,7	11,67	SXACM402	100LA/112MR	4	5486
121,5	166	3,9	11,69	SXHCM402	100LA	4	12000
120,3	169	1,5	7,73	SXACM302	112M/112MA	6	3732
120,3	169	2,4	7,73	SXACM402	112M/112MA	6	5508
120,3	168	1,5	11,80	SXHCM302	100LA/112MR	4	5333
115,8	168	2,1	24,71	SXHCM352	90L	2	7299
112,5	173	1,2	25,43	SXACM302	90L	2	3816
112,5	173	1,9	25,43	SXACM402	90L	2	5633
112,1	180	3,9	12,67	SXHCM402	100LA	4	12000

2,20 kW

n2 [rpm]	M2 [Nm]	fs	i	Gear reducer	Motor		Fr2 [N]
					Size	Pole	
111,3	175	3,6	25,70	SXHCM402	90L	2	12000
111,0	185	1,0	8,38	SXHCM281	112M/112MA	6	3700
110,7	186	3,7	8,40	SXHCM481	112M/112MA	6	5000
110,1	187	2,0	8,44	SXHCM381	112M/112MA	6	4000
109,8	177	1,1	26,04	SXHCM302	90L	2	5459
109,4	186	3,4	8,50	SXHCM402	112M/112MA	6	12000
109,2	178	2,1	26,18	SXHCM352	90L	2	7394
109,1	187	1,9	8,53	SXHCM352	112M/112MA	6	7341
104,6	193	1,3	13,57	SXHCM302	100LA/112MR	4	5442
104,0	187	1,1	27,50	SXHCM302	90L	2	5503
100,6	194	1,9	28,44	SXHCM352	90L	2	7529
99,7	202	2,1	14,24	SXHCM352	100LA/112MR	4	7495
99,1	206	3,1	9,39	SXHCM402	112M/112MA	6	12000
97,9	206	1,4	14,50	SXACM302	100LA/112MR	4	3996
97,9	206	2,0	14,50	SXACM402	100LA/112MR	4	5898
97,5	200	3,0	29,33	SXHCM402	90L	2	12000
97,3	209	1,9	9,56	SXHCM352	112M/112MA	6	7521
96,4	211	1,5	9,64	SXACM302	112M/112MA	6	4017
96,4	211	2,3	9,64	SXACM402	112M/112MA	6	5929
96,3	210	3,3	14,75	SXHCM402	100LA/112MR	4	12000
95,7	203	1,1	29,89	SXACM302	90L	2	4027
95,7	203	1,7	29,89	SXACM402	90L	2	5944
93,9	207	1,0	30,45	SXHCM302	90L	2	5578
90,8	214	1,7	31,52	SXHCM352	90L	2	7694
89,4	218	2,9	32,00	SXHCM402	90L	2	12000
89,0	227	1,1	15,96	SXHCM302	100LA/112MR	4	5548
87,2	231	3,5	16,29	SXHCM402	100LA/112MR	4	12000
86,7	225	1,6	33,00	SXHCM352	90L	2	7766
85,6	236	1,9	16,59	SXHCM352	100LA/112MR	4	7730
84,0	240	1,2	16,91	SXACM302	100LA/112MR	4	4207
84,0	240	2,1	16,91	SXACM402	100LA/112MR	4	6209
80,8	252	1,6	11,51	SXHCM352	112M/112MA	6	7799
80,4	251	3,3	17,67	SXHCM402	100LA/112MR	4	12000
79,7	256	1,2	11,67	SXACM302	112M/112MA	6	4280
79,7	256	1,8	11,67	SXACM402	112M/112MA	6	6317
79,6	256	2,7	11,69	SXHCM402	112M/112MA	6	12000
79,1	246	1,4	36,17	SXACM402	90L	2	6334
78,9	256	1,8	18,00	SXHCM352	100LA/112MR	4	7850
77,3	252	2,4	36,99	SXHCM402	90L	2	12000
74,7	270	0,9	19,00	SXHCM302	100LA/112MR	4	5630
73,4	265	1,4	38,98	SXHCM352	90L	2	8000
73,4	277	2,6	12,67	SXHCM402	112M/112MA	6	12000

5.1 SXHC/SXAC GEARED MOTORS (50Hz)

2,20 kW

n ₂ [rpm]	M ₂ [Nm]	f _s	i	Gear reducer	Motor		Fr ₂ [N]
					Size	Pole	
71,1	284	1,6	19,97	SXHCM352	100LA/112MR	4	7997
70,9	274	2,3	40,33	SXHCM402	90L	2	12000
70,7	288	0,9	13,57	SXHCM302	112M	6	5623
70,0	288	3,0	20,28	SXHCM402	100LA/112MR	4	12000
69,4	291	1,0	20,46	SXACM302	100LA/112MR	4	4482
69,4	291	1,6	20,46	SXACM402	100LA/112MR	4	6616
65,5	308	1,5	21,67	SXHCM352	100LA/112MR	4	8000
65,3	312	1,4	14,24	SXHCM352	112M/112MA	6	8000
64,1	318	1,4	14,50	SXACM402	112M/112MA	6	6792
63,6	306	1,1	44,95	SXACM402	90L	2	6810
63,1	323	2,3	14,75	SXHCM402	112M/112MA	6	12000
63,0	309	1,2	45,36	SXHCM352	90L	2	8000
62,1	313	2,0	46,06	SXHCM402	90L	2	12000
61,0	331	2,6	23,27	SXHCM402	100LA/112MR	4	12000
59,4	328	3,7	48,13	SXHCM502	90L	2	18000
58,2	334	1,1	49,13	SXHCM352	90L	2	8000
57,8	330	1,9	49,45	SXHCM403	90L	2	12000
57,5	351	1,3	24,71	SXHCM352	100LA/112MR	4	8000
57,4	332	1,1	49,80	SXACM403	90L	2	7047
57,1	357	2,4	16,29	SXHCM402	112M/112MA	6	12000
56,0	363	1,3	16,59	SXHCM352	112M/112MA	6	8000
55,8	361	1,2	25,43	SXACM402	100LA/112MR	4	7113
55,3	365	2,3	25,70	SXHCM402	100LA/112MR	4	12000
55,0	370	1,4	16,91	SXACM402	112M/112MA	6	7150
54,2	372	1,3	26,18	SXHCM352	100LA/112MR	4	8000
52,6	387	2,3	17,67	SXHCM402	112M/112MA	6	12000
52,4	364	1,8	54,61	SXHCM403	90L	2	12000
51,7	394	1,2	18,00	SXHCM352	112M/112MA	6	8000
50,6	377	3,2	56,53	SXHCM503	90L	2	18000
50,2	406	3,9	18,53	SXHCM502	112MA	6	18000
49,9	404	1,2	28,44	SXHCM352	100LA/112MR	4	8000
48,4	417	1,9	29,33	SXHCM402	100LA/112MR	4	12000
48,0	425	4,0	19,38	SXHCM502	112MA	6	18000
45,9	444	2,0	20,28	SXHCM402	112M/112MA	6	12000
45,6	443	3,6	31,15	SXHCM502	100LA/112MR	4	18000
45,5	448	1,1	20,46	SXACM402	112M/112MA	6	7618
45,1	448	1,1	31,52	SXHCM352	100LA/112MR	4	8000
44,4	455	1,9	32,00	SXHCM402	100LA/112MR	4	12000
43,5	469	3,6	21,39	SXHCM502	112M/112MA	6	18000
42,1	453	1,4	68,00	SXHCM403	90L	2	12000
41,3	488	3,3	34,38	SXHCM502	100LA/112MR	4	18000
40,8	499	3,4	22,80	SXHCM502	112M/112MA	6	18000

2,20 kW

n2 [rpm]	M2 [Nm]	fs	i	Gear reducer	Motor		Fr2 [N]
					Size	Pole	
40,0	510	1,8	23,27	SXHCM402	112M/112MA	6	12000
40,0	476	2,8	71,48	SXHCM503	90L	2	18000
38,4	525	1,5	36,99	SXHCM402	100LA/112MR	4	12000
37,6	541	0,9	24,71	SXHCM352	112M/112MA	6	8000
37,5	539	0,9	38,98	SXHCM352	112MR	4	8000
36,7	556	0,9	26,18	SXHCM352	112M	6	8000
36,7	550	2,9	38,70	SXHCM502	100LA/112MR	4	18000
36,6	557	0,8	25,43	SXACM402	112M/112MA	6	8000
36,3	526	2,6	78,87	SXHCM503	90L	2	18000
36,2	563	1,6	25,70	SXHCM402	112M/112MA	6	12000
35,2	573	1,5	40,33	SXHCM402	100LA/112MR	4	12000
35,0	583	2,9	26,60	SXHCM502	112M/112MA	6	18000
33,4	611	2,8	27,88	SXHCM502	112M/112MA	6	18000
33,4	570	2,4	85,56	SXHCM503	90L	2	18000
33,3	572	1,1	85,82	SXHCM403	90L	2	12000
33,2	607	2,6	42,75	SXHCM502	100LA/112MR	4	18000
31,7	643	1,3	29,33	SXHCM402	112M/112MA	6	12000
30,8	654	1,3	46,06	SXHCM402	100LA/112MR	4	12000
30,2	631	1,0	94,76	SXHCM403	90L	2	12000
29,9	682	2,5	31,15	SXHCM502	112M/112MA	6	18000
29,5	684	2,3	48,13	SXHCM502	100LA/112MR	4	18000
29,2	654	2,1	98,09	SXHCM503	90L	2	18000
29,1	701	1,3	32,00	SXHCM402	112M/112MA	6	12000
28,7	688	1,2	49,45	SXHCM403	100LA/112MR	4	12000
27,1	753	2,2	34,38	SXHCM502	112M/112MA	6	18000
26,0	759	1,1	54,61	SXHCM403	100LA/112MR	4	12000
25,4	752	1,8	112,78	SXHCM503	90L	2	18000
25,1	786	2,0	56,53	SXHCM503	100LA/112MR	4	18000
24,2	842	3,5	38,45	SXHCM602	112M/112MA	6	22000
24,0	848	2,0	38,70	SXHCM502	112M/112MA	6	18000
23,0	829	1,6	124,44	SXHCM503	90L	2	18000
22,5	905	3,8	41,30	SXHCM602	112M/112MA	6	22000
21,8	936	1,8	42,75	SXHCM502	112M/112MA	6	18000
21,0	939	0,9	68,00	SXHCM403	100LA/112MR	4	12000
20,8	977	0,9	46,06	SXHCM402	112M	6	12000
20,4	969	3,6	69,69	SXHCM603	100LA/112MR	4	22000
20,3	1004	3,5	45,82	SXHCM602	112M/112MA	6	22000
20,1	947	1,4	142,15	SXHCM503	90L	2	18000
19,9	994	1,8	71,48	SXHCM503	100LA/112MR	4	18000
19,9	956	2,7	143,42	SXHCM603	90L	2	22000
19,3	1054	1,6	48,13	SXHCM502	112M/112MA	6	18000
18,5	1031	1,3	154,76	SXHCM503	90L	2	18000

2,20 kW

n ₂ [rpm]	M ₂ [Nm]	f _s	i	Gear reducer	Motor		Fr ₂ [N]
					Size	Pole	
18,1	1128	3,1	51,52	SXHCM602	112M/112MA	6	22000
18,0	1097	1,6	78,87	SXHCM503	100LA/112MR	4	18000
17,8	1110	3,2	79,82	SXHCM603	100LA/112MR	4	22000
17,8	1072	2,4	160,82	SXHCM603	90L	2	22000
17,6	1082	1,2	162,35	SXHCM503	90L	2	18000
16,9	1170	3,0	84,16	SXHCM603	100LA/112MR	4	22000
16,6	1190	1,5	85,56	SXHCM503	100LA/112MR	4	18000
16,5	1212	1,4	56,53	SXHCM503	112M/112MA	6	18000
16,0	1194	1,1	179,13	SXHCM503	90L	2	18000
15,8	1207	2,2	181,07	SXHCM603	90L	2	22000
15,8	1251	4,0	89,97	SXHCM703	100LA ⁽¹⁾	4	30000
15,2	1299	2,7	93,36	SXHCM603	100LA/112MR	4	22000
14,7	1300	1,0	195,07	SXHCM503	90L	2	18000
14,7	1294	2,0	194,21	SXHCM603	90L	2	22000
14,5	1364	1,3	98,09	SXHCM503	100LA/112MR	4	18000
14,2	1392	2,5	100,07	SXHCM603	100LA/112MR	4	22000
14,2	1395	3,6	100,29	SXHCM703	100LA/112MR	4	30000
13,8	1444	3,6	67,32	SXHCM703	112M/112MA	6	30000
13,3	1495	2,5	69,69	SXHCM603	112M/112MA	6	22000
13,3	1436	1,8	215,45	SXHCM603	90L	2	22000
13,1	1507	3,3	108,34	SXHCM703	100LA/112MR	4	30000
13,0	1533	1,2	71,48	SXHCM503	112M/112MA	6	18000
12,6	1569	1,1	112,78	SXHCM503	100LA/112MR	4	18000
12,6	1581	3,3	73,71	SXHCM703	112M/112MA	6	30000
12,0	1650	3,0	118,62	SXHCM703	100LA/112MR	4	30000
11,8	1681	2,1	120,84	SXHCM603	100LA/112MR	4	22000
11,8	1617	1,7	242,59	SXHCM603	90L	2	22000
11,7	1712	2,1	79,82	SXHCM603	112M/112MA	6	22000
11,4	1731	1,0	124,44	SXHCM503	100LA/112MR	4	18000
11,2	1787	2,9	83,34	SXHCM703	112M/112MA	6	30000
11,1	1805	2,0	84,16	SXHCM603	112M/112MA	6	22000
11,1	1783	2,8	128,18	SXHCM703	100LA/112MR	4	30000
10,6	1865	1,9	134,06	SXHCM603	100LA/112MR	4	22000
10,3	1930	2,7	89,97	SXHCM703	112M/112MA	6	30000
10,0	1977	0,9	142,15	SXHCM503	100LA/112MR	4	18000
10,0	2002	1,8	93,36	SXHCM603	112M/112MA	6	22000
9,9	1995	1,8	143,42	SXHCM603	100LA/112MR	4	22000
9,8	2038	0,9	98,09	SXHCM503	112M	6	18000
9,8	2014	2,5	144,79	SXHCM703	100LA/112MR	4	30000
9,3	2146	1,7	100,07	SXHCM603	112M/112MA	6	22000
9,3	2151	2,4	100,29	SXHCM703	112M/112MA	6	30000
9,1	2159	2,3	155,22	SXHCM703	100LA/112MR	4	30000

⁽¹⁾ Available only with brake motor (TBS)

5.1 SXHC/SXAC GEARED MOTORS (50Hz)

2,20 kW

n2 [rpm]	M2 [Nm]	fs	i	Gear reducer	Motor		Fr2 [N]
					Size	Pole	
8,8	2237	1,6	160,82	SXHCM603	100LA/112MR	4	22000
8,6	2324	2,3	108,34	SXHCM703	112M/112MA	6	30000
8,2	2403	2,1	172,80	SXHCM703	100LA/112MR	4	30000
7,8	2518	1,4	181,07	SXHCM603	100LA/112MR	4	22000
7,8	2544	2,1	118,62	SXHCM703	112M/112MA	6	30000
7,7	2592	1,4	120,84	SXHCM603	112M/112MA	6	22000
7,5	2631	1,9	189,19	SXHCM703	100LA/112MR	4	30000
7,3	2701	1,3	194,21	SXHCM603	100LA/112MR	4	22000
7,3	2749	1,9	128,18	SXHCM703	112M/112MA	6	30000
6,9	2875	1,3	134,06	SXHCM603	112M/112MA	6	22000
6,8	2885	1,7	207,43	SXHCM703	100LA/112MR	4	30000
6,6	2997	1,2	215,45	SXHCM603	100LA/112MR	4	22000
6,5	3076	1,2	143,42	SXHCM603	112M/112MA	6	22000
6,4	3105	1,7	144,79	SXHCM703	112M/112MA	6	30000
6,1	3212	1,6	230,92	SXHCM703	100LA/112MR	4	30000
6,0	3329	1,6	155,22	SXHCM703	112M/112MA	6	30000
5,9	3374	1,1	242,59	SXHCM603	100LA/112MR	4	22000
5,5	3611	1,4	259,64	SXHCM703	100LA/112MR	4	30000
5,4	3706	1,4	172,80	SXHCM703	112M/112MA	6	30000
4,9	4035	0,9	194,21	SXHCM603	112M	6	22000
4,9	4058	1,3	189,19	SXHCM703	112M/112MA	6	30000
4,5	4449	1,2	207,43	SXHCM703	112M/112MA	6	30000

3,00 kW

n2 [rpm]	M2 [Nm]	fs	i	Gear reducer	Motor		Fr2 [N]
					Size	Pole	
2278,6	12	2,9	1,27	SXHCM241	100L/100LA	2	1385
2043,2	13	3,7	1,42	SXHCM241	100L/100LA	2	1430
1364,7	20	2,5	2,13	SXHCM241	100L/100LA	2	1606
1160,0	23	2,9	2,50	SXACM281	100L/100LA	2	1986
1127,8	24	2,4	2,57	SXHCM241	100L/100LA	2	1693
1123,6	25	1,8	1,27	SXHCM241	100LB/112MS	4	1689
1072,5	26	3,5	1,33	SXACM281	100LB/112MS	4	2038
1064,2	26	3,8	1,34	SXHCM281	100LB/112MS	4	2567
1007,5	28	2,4	1,42	SXHCM241	100LB/112MS	4	1740
906,3	30	2,2	3,17	SXHCM241	100L/100LA	2	1795
906,3	30	3,5	3,17	SXHCM281	100L/100LA	2	2698
786,4	34	2,0	3,69	SXHCM241	100L/100LA	2	1863
786,4	34	3,3	3,69	SXHCM281	100L/100LA	2	2815
730,7	38	1,2	1,27	SXHCM241	112MB	6	1887
725,0	37	1,8	4,00	SXHCM241	100L/100LA	2	1901
725,0	37	3,0	4,00	SXHCM281	100L/100LA	2	2884

3,00 kW

n2 [rpm]	M2 [Nm]	fs	i	Gear reducer	Motor		Fr2 [N]
					Size	Pole	
697,5	40	2,3	1,33	SXACM281	112MB	6	2353
692,1	41	2,6	1,34	SXHCM281	112MB	6	2916
668,2	42	1,6	2,13	SXHCM241	100LB/112MS	4	1932
668,2	42	3,1	2,13	SXHCM281	100LB/112MS	4	2948
661,4	41	2,0	4,38	SXACM281	100L/100LA	2	2395
655,2	43	1,6	1,42	SXHCM241	112MB	6	1938
617,6	43	1,7	4,70	SXHCM252	100L/100LA	2	2706
601,8	45	1,6	4,77	SXHCM241	100L/100LA	2	1990
601,8	45	2,7	4,77	SXHCM281	100L/100LA	2	3046
572,0	49	1,9	2,50	SXACM281	100LB/112MS	4	2514
558,1	48	3,8	5,14	SXACM302	100L/100LA	2	2237
556,1	50	1,5	2,57	SXHCM241	100LB/112MS	4	2017
556,1	50	2,8	2,57	SXHCM281	100LB/112MS	4	3109
552,4	49	1,5	5,25	SXHCM241	100L/100LA	2	2031
552,4	49	2,6	5,25	SXHCM281	100L/100LA	2	3122
525,4	51	2,4	5,46	SXHCM302	100L/100LA	2	3715
501,1	53	3,7	5,73	SXHCM352	100L/100LA	2	4839
498,4	54	1,4	5,82	SXHCM241	100L/100LA	2	2080
498,4	54	2,4	5,82	SXHCM281	100L/100LA	2	3216
461,3	58	3,1	6,22	SXACM302	100L/100LA	2	2384
460,7	58	1,4	6,23	SXHCM252	100L/100LA	2	2873
451,6	62	1,4	3,17	SXHCM241	100LB/112MS	4	2113
451,6	62	2,3	3,17	SXHCM281	100LB/112MS	4	3298
437,6	64	1,1	2,13	SXHCM241	112MB	6	2123
437,6	64	2,1	2,13	SXHCM281	112MB	6	3325
416,3	64	3,4	6,89	SXHCM352	100L/100LA	2	5095
403,5	66	1,8	7,19	SXHCM302	100L/100LA	2	3965
391,4	69	1,9	7,33	SXHCM281	100L/100LA	2	3442
387,8	72	1,3	3,69	SXHCM241	100LB/112MS	4	2180
387,8	72	2,1	3,69	SXHCM281	100LB/112MS	4	3441
382,7	70	3,7	7,50	SXHCM381	100L/100LA	2	3981
372,0	75	1,3	2,50	SXACM281	112MB	6	2901
371,1	72	2,5	7,73	SXACM302	100L/100LA	2	2563
371,1	72	4,0	7,73	SXACM402	100LA ⁽¹⁾	2	3783
369,7	72	1,3	7,76	SXHCM252	100L/100LA	2	2988
361,7	78	1,0	2,57	SXHCM241	112MB	6	2204
361,7	78	1,9	2,57	SXHCM281	112MB	6	3504
357,5	78	1,2	4,00	SXHCM241	100LB/112MS	4	2214
357,5	78	1,9	4,00	SXHCM281	100LB/112MS	4	3518
342,7	78	1,6	8,38	SXHCM281	100L/100LA	2	3570
339,9	79	3,3	8,44	SXHCM381	100L/100LA	2	4000
336,6	79	3,2	8,53	SXHCM352	100L/100LA	2	5395

⁽¹⁾ Available only with brake motor (TBS)

3,00 kW

n2 [rpm]	M2 [Nm]	fs	i	Gear reducer	Motor		Fr2 [N]
					Size	Pole	
323,9	86	1,3	4,38	SXACM281	100LB/112MS	4	3038
323,7	82	1,2	8,87	SXHCM252	100L/100LA	2	3049
306,4	91	3,5	4,67	SXHCM381	100LB/112MS	4	4000
303,3	88	3,2	9,56	SXHCM352	100L/100LA	2	5544
302,4	91	1,0	4,70	SXHCM252	100LB/112MS	4	3044
299,8	93	1,0	4,77	SXHCM241	100LB/112MS	4	2284
299,8	93	1,7	4,77	SXHCM281	100LB/112MS	4	3687
297,6	89	2,5	9,64	SXACM302	100L/100LA	2	2759
297,6	89	3,9	9,64	SXACM402	100L/100LA	2	4072
293,7	96	0,9	3,17	SXHCM241	112MB	6	2286
293,7	96	1,5	3,17	SXHCM281	112MB	6	3700
286,2	98	3,4	3,25	SXHCM381	112MB/132S/132SA	6	4000
282,9	94	1,1	10,14	SXHCM252	100L/100LA	2	3103
276,1	100	2,4	5,14	SXACM302	100LB/112MS	4	2829
276,1	100	3,8	5,14	SXACM402	100LB/112MS	4	4175
270,5	103	1,0	5,25	SXHCM241	100LB/112MS	4	2322
270,5	103	1,7	5,25	SXHCM281	100LB/112MS	4	3700
260,0	106	1,5	5,46	SXHCM302	100LB/112MS	4	4337
258,2	108	3,1	5,54	SXHCM381	100LB/112MS	4	4000
252,2	111	1,4	3,69	SXHCM281	112MB	6	3700
249,9	112	3,0	3,72	SXHCM381	112MB/132S/132SA	6	4000
249,3	106	2,7	11,51	SXHCM352	100L/100LA	2	5827
247,9	111	2,3	5,73	SXHCM352	100LB/112MS	4	5809
246,6	108	1,0	11,76	SXHCM252	100L	2	3149
246,0	108	1,9	11,67	SXACM302	100L/100LA	2	2940
246,0	108	3,1	11,67	SXACM402	100L/100LA	2	4339
244,1	114	1,5	5,82	SXHCM281	100LB/112MS	4	3700
243,2	109	1,7	11,80	SXHCM302	100L/100LA	2	4425
233,4	119	2,9	6,08	SXHCM381	100LB/112MS	4	4000
232,5	121	1,3	4,00	SXHCM281	112MB	6	3700
232,5	121	2,8	4,00	SXHCM381	112MB/132S/132SA	6	4000
228,2	121	2,0	6,22	SXACM302	100LB/112MS	4	3014
228,2	121	3,2	6,22	SXACM402	100LB/112MS	4	4449
212,1	132	0,9	4,38	SXACM281	112MB	6	3499
211,5	126	1,5	13,57	SXHCM302	100L/100LA	2	4541
209,2	127	1,0	13,72	SXHCM252	100L/100LA	2	3187
206,0	134	2,2	6,89	SXHCM352	100LB/112MS	4	6071
201,6	132	2,4	14,24	SXHCM352	100L/100LA	2	6134
199,3	141	2,4	4,67	SXHCM381	112MB/132S/132SA	6	4000
197,9	134	1,6	14,50	SXACM302	100L/100LA	2	3161
197,9	134	2,3	14,50	SXACM402	100L/100LA	2	4665
197,6	139	1,1	7,19	SXHCM302	100LB/112MS	4	4554

3,00 kW

n ₂ [rpm]	M ₂ [Nm]	f _s	i	Gear reducer	Motor		Fr ₂ [N]
					Size	Pole	
195,0	144	1,2	4,77	SXHCM281	112MB	6	3700
194,6	136	3,8	14,75	SXHCM402	100L/100LA	2	11025
193,6	144	1,2	7,33	SXHCM281	100LB/112MS	4	3700
192,1	143	3,8	7,39	SXHCM402	100LB/112MS	4	11035
189,3	147	2,4	7,50	SXHCM381	100LB/112MS	4	4000
183,6	150	1,6	7,73	SXACM302	100LB/112MS	4	3241
183,6	150	2,5	7,73	SXACM402	100LB/112MS	4	4783
180,8	154	1,6	5,14	SXACM302	112MB	6	3257
180,8	154	2,6	5,14	SXACM402	112MB	6	4808
179,8	148	1,3	15,96	SXHCM302	100L/100LA	2	4665
177,1	158	1,1	5,25	SXHCM281	112MB	6	3700
176,2	151	4,0	16,29	SXHCM402	100LA ⁽¹⁾	2	11335
173,0	153	2,2	16,59	SXHCM352	100L/100LA	2	6352
173,0	161	3,3	5,38	SXHCM402	112MB/132S/132SA	6	11351
170,3	163	1,0	5,46	SXHCM302	112MB	6	4643
169,7	156	1,4	16,91	SXACM302	100L/100LA	2	3327
169,7	156	2,4	16,91	SXACM402	100L/100LA	2	4911
169,6	164	1,0	8,38	SXHCM281	100LB/112MS	4	3700
169,0	164	4,0	8,40	SXHCM481	100LB	4	5000
168,2	165	2,1	8,44	SXHCM381	100LB/112MS	4	4000
167,9	167	2,1	5,54	SXHCM381	112MB/132S/132SA	6	4000
167,1	165	3,6	8,50	SXHCM402	100LB/112MS	4	11470
166,5	165	2,1	8,53	SXHCM352	100LB/112MS	4	6366
162,5	163	3,8	17,67	SXHCM402	100L/100LA	2	11592
162,4	171	1,6	5,73	SXHCM352	112MB	6	6389
159,8	176	1,0	5,82	SXHCM281	112MB	6	3700
159,4	166	2,1	18,00	SXHCM352	100L/100LA	2	6465
159,3	173	1,2	8,91	SXHCM302	100LB/112MS	4	4697
156,7	177	3,3	5,93	SXHCM402	112MB/132S/132SA	6	11662
152,9	184	1,9	6,08	SXHCM381	112MB/132S/132SA	6	4000
151,3	182	3,3	9,39	SXHCM402	100LB/112MS	4	11783
151,1	176	1,1	19,00	SXHCM302	100L/100LA	2	4780
149,5	186	1,4	6,22	SXACM302	112MB	6	3471
149,5	186	2,1	6,22	SXACM402	112MB	6	5123
149,3	188	3,6	6,23	SXHCM481	112MB/132S/132SA	6	5000
148,5	185	2,0	9,56	SXHCM352	100LB/112MS	4	6520
147,3	187	1,6	9,64	SXACM302	100LB/112MS	4	3488
147,3	187	2,5	9,64	SXACM402	100LB/112MS	4	5149
143,7	185	1,9	19,97	SXHCM352	100L/100LA	2	6608
141,5	188	3,4	20,28	SXHCM402	100L/100LA	2	12000
140,3	189	1,1	20,46	SXACM302	100L/100LA	2	3545
140,3	189	1,8	20,46	SXACM402	100L/100LA	2	5233

⁽¹⁾ Available only with brake motor (TBS)

3,00 kW

n2 [rpm]	M2 [Nm]	fs	i	Gear reducer	Motor		Fr2 [N]
					Size	Pole	
137,7	200	1,2	10,31	SXHCM302	100LB/112MS	4	4774
134,9	206	1,5	6,89	SXHCM352	112MB	6	6632
132,5	200	1,8	21,67	SXHCM352	100L/100LA	2	6717
129,8	214	3,9	7,39	SXHCM502	132S/132SA	6	15421
125,8	221	2,6	7,39	SXHCM402	112MB/132S/132SA	6	12000
124,0	226	1,6	7,50	SXHCM381	112MB/132S/132SA	6	4000
123,4	223	1,7	11,51	SXHCM352	100LB/112MS	4	6758
123,3	215	3,0	23,27	SXHCM402	100L/100LA	2	12000
123,3	228	3,0	7,55	SXHCM481	112MB/132S/132SA	6	5000
121,7	226	1,2	11,67	SXACM302	100LB/112MS	4	3717
121,7	226	1,9	11,67	SXACM402	100LB/112MS	4	5486
121,5	226	2,9	11,69	SXHCM402	100LB/112MS	4	12000
120,3	231	1,1	7,73	SXACM302	112MB	6	3732
120,3	231	1,7	7,73	SXACM402	112MB	6	5508
120,3	229	1,1	11,80	SXHCM302	100LB/112MS	4	4828
119,7	232	3,6	8,02	SXHCM502	132S/132SA	6	15784
116,2	228	1,5	24,71	SXHCM352	100L/100LA	2	6886
112,9	235	1,4	25,43	SXACM402	100L/100LA	2	5626
112,1	245	2,9	12,67	SXHCM402	100LB/112MS	4	12000
111,7	238	2,7	25,70	SXHCM402	100L/100LA	2	12000
110,7	254	2,7	8,40	SXHCM481	112MB/132S/132SA	6	5000
110,1	255	1,4	8,44	SXHCM381	112MB/132S/132SA	6	4000
109,6	242	1,5	26,18	SXHCM352	100L/100LA	2	6957
109,4	254	2,5	8,50	SXHCM402	112MB/132S/132SA	6	12000
109,1	255	1,4	8,53	SXHCM352	112MB	6	6888
108,5	256	3,7	8,85	SXHCM502	132S/132SA	6	16230
104,6	263	1,0	13,57	SXHCM302	100LB/112MS	4	4861
100,9	263	1,4	28,44	SXHCM352	100L/100LA	2	7055
99,7	276	1,6	14,24	SXHCM352	100LB/112MS	4	7004
99,1	280	2,2	9,39	SXHCM402	112MB/132S/132SA	6	12000
97,9	281	1,0	14,50	SXACM302	100LB/112MS	4	3996
97,9	281	1,5	14,50	SXACM402	100LB/112MS	4	5898
97,8	271	2,2	29,33	SXHCM402	100L/100LA	2	12000
97,3	286	1,4	9,56	SXHCM352	112MB	6	7012
96,4	288	1,1	9,64	SXACM302	112MB	6	4017
96,4	288	1,7	9,64	SXACM402	112MB	6	5929
96,3	286	2,5	14,75	SXHCM402	100LB/112MS	4	12000
91,1	291	1,3	31,52	SXHCM352	100L/100LA	2	7169
89,7	296	2,2	32,00	SXHCM402	100L/100LA	2	12000
87,2	315	2,5	16,29	SXHCM402	100LB/112MS	4	12000
87,2	319	3,6	11,01	SXHCM502	132S/132SA	6	17243
85,6	321	1,4	16,59	SXHCM352	100LB/112MS	4	7158

3,00 kW

n ₂ [rpm]	M ₂ [Nm]	f _s	i	Gear reducer	Motor		Fr ₂ [N]
					Size	Pole	
84,0	328	0,9	16,91	SXACM302	100LB/112MS	4	4207
84,0	328	1,5	16,91	SXACM402	100LB/112MS	4	6209
83,5	318	3,8	34,38	SXHCM502	100L/100LA	2	17517
80,8	344	1,2	11,51	SXHCM352	112MB	6	7186
80,4	342	2,4	17,67	SXHCM402	100LB/112MS	4	12000
79,7	348	0,8	11,67	SXACM302	112MB	6	4280
79,7	348	1,3	11,67	SXACM402	112MB	6	6317
79,6	349	2,0	11,69	SXHCM402	112MB/132S/132SA	6	12000
78,9	349	1,3	18,00	SXHCM352	100LB/112MS	4	7229
77,6	342	1,8	36,99	SXHCM402	100L/100LA	2	12000
74,2	358	3,4	38,70	SXHCM502	100L/100LA	2	18000
73,6	360	1,0	38,98	SXHCM352	100L/100LA	2	7370
73,4	378	1,9	12,67	SXHCM402	112MB/132S/132SA	6	12000
71,2	373	1,7	40,33	SXHCM402	100L/100LA	2	12000
71,1	387	1,2	19,97	SXHCM352	100LB/112MS	4	7308
70,0	393	2,2	20,28	SXHCM402	100LB/112MS	4	12000
69,4	396	1,2	20,46	SXACM402	100LB/112MS	4	6616
68,9	403	3,6	13,50	SXHCM502	112MB/132S/132SA	6	18000
67,1	395	3,0	42,75	SXHCM502	100L/100LA	2	18000
66,4	414	3,9	21,39	SXHCM502	100LB/112MS	4	18000
65,5	420	1,1	21,67	SXHCM352	100LB/112MS	4	7358
65,3	425	1,1	14,24	SXHCM352	112MB	6	7332
64,1	433	1,0	14,50	SXACM402	112MB	6	6792
63,1	441	1,7	14,75	SXHCM402	112MB/132S/132SA	6	12000
62,4	445	3,5	14,90	SXHCM502	112MB/132S/132SA	6	18000
62,3	426	1,5	46,06	SXHCM402	100L/100LA	2	12000
62,3	442	3,6	22,80	SXHCM502	100LB/112MS	4	18000
61,0	451	1,9	23,27	SXHCM402	100LB/112MS	4	12000
59,6	445	2,7	48,13	SXHCM502	100L/100LA	2	18000
58,0	448	1,4	49,45	SXHCM403	100L/100LA	2	12000
57,5	479	1,0	24,71	SXHCM352	100LB/112MS	4	7414
57,1	486	1,7	16,29	SXHCM402	112MB/132S/132SA	6	12000
56,0	496	1,0	16,59	SXHCM352	112MB	6	7389
56,0	496	3,2	16,62	SXHCM502	112MB/132S/132SA	6	18000
55,8	493	0,9	25,43	SXACM402	100LB/112MS	4	7113
55,3	498	1,7	25,70	SXHCM402	100LB/112MS	4	12000
55,0	505	1,0	16,91	SXACM402	112MB	6	7150
54,2	507	1,0	26,18	SXHCM352	100LB/112MS	4	7429
53,4	515	3,1	26,60	SXHCM502	100LB/112MS	4	18000
52,6	528	1,7	17,67	SXHCM402	112MB/132S/132SA	6	12000
52,6	494	1,3	54,61	SXHCM403	100L/100LA	2	12000
51,0	539	0,9	28,44	SXHCM352	112MS	4	7436

3,00 kW

n ₂ [rpm]	M ₂ [Nm]	f _s	i	Gear reducer	Motor		Fr ₂ [N]
					Size	Pole	
50,9	540	3,0	27,88	SXHCM502	100LB/112MS	4	18000
50,8	512	2,3	56,53	SXHCM503	100L/100LA	2	18000
50,2	553	2,8	18,53	SXHCM502	112MB/132S/132SA	6	18000
48,4	568	1,4	29,33	SXHCM402	100LB/112MS	4	12000
48,0	579	2,9	19,38	SXHCM502	112MB/132S/132SA	6	18000
45,9	606	1,5	20,28	SXHCM402	112MB/132S/132SA	6	12000
45,6	603	2,7	31,15	SXHCM502	100LB/112MS	4	18000
44,4	620	1,4	32,00	SXHCM402	100LB/112MS	4	12000
43,5	639	2,6	21,39	SXHCM502	112MB/132S/132SA	6	18000
41,3	666	2,4	34,38	SXHCM502	100LB/112MS	4	18000
40,8	681	2,5	22,80	SXHCM502	112MB/132S/132SA	6	18000
40,2	647	2,1	71,48	SXHCM503	100L/100LA	2	18000
40,0	695	1,3	23,27	SXHCM402	112MB/132S/132SA	6	12000
38,4	716	1,1	36,99	SXHCM402	100LB/112MS	4	12000
36,9	745	3,8	38,45	SXHCM602	100LB/112MS	4	22000
36,7	750	2,1	38,70	SXHCM502	100LB/112MS	4	18000
36,2	768	1,2	25,70	SXHCM402	112MB/132S/132SA	6	12000
36,0	723	3,6	79,82	SXHCM603	100L/100LA	2	22000
35,2	781	1,1	40,33	SXHCM402	100LB/112MS	4	12000
35,0	795	2,1	26,60	SXHCM502	112MB/132S/132SA	6	18000
34,1	762	3,4	84,16	SXHCM603	100L/100LA	2	22000
33,5	775	1,7	85,56	SXHCM503	100L/100LA	2	18000
33,4	833	2,0	27,88	SXHCM502	112MB/132S/132SA	6	18000
33,2	828	1,9	42,75	SXHCM502	100LB/112MS	4	18000
31,7	876	1,0	29,33	SXHCM402	112MB	6	12000
31,0	887	3,7	45,82	SXHCM602	100LB/112MS	4	22000
30,8	892	1,0	46,06	SXHCM402	100LB/112MS	4	12000
30,7	845	3,1	93,36	SXHCM603	100L/100LA	2	22000
30,3	918	3,7	30,72	SXHCM602	112MB/132S/132SA	6	22000
29,9	931	1,8	31,15	SXHCM502	112MB/132S/132SA	6	18000
29,5	932	1,7	48,13	SXHCM502	100LB/112MS	4	18000
29,3	888	1,5	98,09	SXHCM503	100L/100LA	2	18000
28,7	938	0,9	49,45	SXHCM403	100LB/112MS	4	12000
28,7	906	2,9	100,07	SXHCM603	100L/100LA	2	22000
27,6	998	3,3	51,52	SXHCM602	100LB/112MS	4	22000
27,2	1022	3,3	34,20	SXHCM602	112MB/132S/132SA	6	22000
27,1	1027	1,6	34,38	SXHCM502	112MB/132S/132SA	6	18000
25,4	1021	1,3	112,78	SXHCM503	100L/100LA	2	18000
25,1	1072	1,5	56,53	SXHCM503	100LB/112MS	4	18000
24,2	1149	2,6	38,45	SXHCM602	112MB/132S/132SA	6	22000
24,0	1156	1,5	38,70	SXHCM502	112MB/132S/132SA	6	18000
23,8	1094	2,4	120,84	SXHCM603	100L/100LA	2	22000

3,00 kW

n2 [rpm]	M2 [Nm]	fs	i	Gear reducer	Motor		Fr2 [N]
					Size	Pole	
23,1	1127	1,2	124,44	SXHCM503	100L/100LA	2	18000
22,5	1234	2,8	41,30	SXHCM602	112MB/132S/132SA	6	22000
21,8	1277	1,3	42,75	SXHCM502	112MB/132S/132SA	6	18000
21,4	1214	2,2	134,06	SXHCM603	100L/100LA	2	22000
21,1	1277	3,9	67,32	SXHCM703	100LB/112MS	4	30000
20,4	1322	2,6	69,69	SXHCM603	100LB/112MS	4	22000
20,3	1369	2,5	45,82	SXHCM602	112MB/132S/132SA	6	22000
20,0	1299	2,0	143,42	SXHCM603	100L/100LA	2	22000
19,9	1356	1,3	71,48	SXHCM503	100LB/112MS	4	18000
19,3	1438	1,2	48,13	SXHCM502	112MB/132S/132SA	6	18000
19,3	1398	3,6	73,71	SXHCM703	100LB/112MS	4	30000
18,1	1539	2,3	51,52	SXHCM602	112MB/132S/132SA	6	22000
18,0	1496	1,2	78,87	SXHCM503	100LB/112MS	4	18000
17,8	1514	2,3	79,82	SXHCM603	100LB/112MS	4	22000
17,8	1456	1,8	160,82	SXHCM603	100L/100LA	2	22000
17,3	1572	2,3	55,47	SXHCM603	132S/132SA	6	22000
17,2	1583	3,3	55,87	SXHCM703	132S/132SA	6	30000
17,0	1580	3,2	83,34	SXHCM703	100LB/112MS	4	30000
16,9	1596	2,2	84,16	SXHCM603	100LB/112MS	4	22000
16,6	1623	1,1	85,56	SXHCM503	100LB/112MS	4	18000
15,8	1640	1,6	181,07	SXHCM603	100L/100LA	2	22000
15,8	1706	2,9	89,97	SXHCM703	100LB/112MS	4	30000
15,2	1771	2,0	93,36	SXHCM603	100LB/112MS	4	22000
14,8	1759	1,5	194,21	SXHCM603	100L/100LA	2	22000
14,5	1860	1,0	98,09	SXHCM503	100LB/112MS	4	18000
14,2	1898	1,8	100,07	SXHCM603	100LB/112MS	4	22000
14,2	1902	2,6	100,29	SXHCM703	100LB/112MS	4	30000
13,8	1969	2,7	67,32	SXHCM703	112MB/132S/132SA	6	30000
13,3	2038	1,8	69,69	SXHCM603	112MB/132S/132SA	6	22000
13,3	1951	1,3	215,45	SXHCM603	100L/100LA	2	22000
13,1	2055	2,4	108,34	SXHCM703	100LB/112MS	4	30000
13,0	2091	0,9	71,48	SXHCM503	112MB/132S/132SA	6	18000
12,6	2156	2,4	73,71	SXHCM703	112MB/132S/132SA	6	30000
12,1	2240	3,7	79,07	SXHCM903	132S/132SA	6	55000
12,0	2250	2,2	118,62	SXHCM703	100LB/112MS	4	30000
11,8	2292	1,5	120,84	SXHCM603	100LB/112MS	4	22000
11,8	2197	1,2	242,59	SXHCM603	100L/100LA	2	22000
11,7	2334	1,6	79,82	SXHCM603	112MB/132S/132SA	6	22000
11,2	2437	2,2	83,34	SXHCM703	112MB/132S/132SA	6	30000
11,1	2461	1,5	84,16	SXHCM603	112MB/132S/132SA	6	22000
11,1	2431	2,1	128,18	SXHCM703	100LB/112MS	4	30000
11,1	2449	3,4	86,43	SXHCM903	132S/132SA	6	55000

5.1 SXHC/SXAC GEARED MOTORS (50Hz)

3,00 kW

n ₂ [rpm]	M ₂ [Nm]	f _s	i	Gear reducer	Motor		Fr ₂ [N]
					Size	Pole	
10,6	2543	1,4	134,06	SXHCM603	100LB/112MS	4	22000
10,3	2631	2,0	89,97	SXHCM703	112MB/132S/132SA	6	30000
10,0	2731	1,3	93,36	SXHCM603	112MB/132S/132SA	6	22000
10,0	2726	3,1	96,21	SXHCM903	132S/132SA	6	55000
9,9	2720	1,3	143,42	SXHCM603	100LB/112MS	4	22000
9,8	2746	1,8	144,79	SXHCM703	100LB/112MS	4	30000
9,3	2927	1,3	100,07	SXHCM603	112MB/132S/132SA	6	22000
9,3	2933	1,8	100,29	SXHCM703	112MB/132S/132SA	6	30000
9,2	2961	2,8	104,51	SXHCM903	132S/132SA	6	55000
9,1	2944	1,7	155,22	SXHCM703	100LB/112MS	4	30000
8,8	3050	1,1	160,82	SXHCM603	100LB/112MS	4	22000
8,6	3169	1,7	108,34	SXHCM703	112MB/132S/132SA	6	30000
8,3	3284	2,6	115,92	SXHCM903	132S/132SA	6	55000
8,2	3277	1,5	172,80	SXHCM703	100LB/112MS	4	30000
7,8	3434	1,0	181,07	SXHCM603	100LB/112MS	4	22000
7,8	3469	1,5	118,62	SXHCM703	112MB/132S/132SA	6	30000
7,5	3588	1,4	189,19	SXHCM703	100LB/112MS	4	30000
7,5	3640	2,3	128,47	SXHCM903	132S/132SA	6	55000
7,3	3683	1,0	194,21	SXHCM603	100LB/112MS	4	22000
7,3	3749	1,4	128,18	SXHCM703	112MB/132S/132SA	6	30000
6,9	3954	2,1	139,55	SXHCM903	132S/132SA	6	55000
6,8	3934	1,3	207,43	SXHCM703	100LB/112MS	4	30000
6,7	4063	0,9	143,42	SXHCM603	132S/132SA	6	22000
6,4	4235	1,2	144,79	SXHCM703	112MB/132S/132SA	6	30000
6,2	4373	1,9	154,33	SXHCM903	132S/132SA	6	55000
6,1	4380	1,1	230,92	SXHCM703	100LB/112MS	4	30000
6,0	4540	1,2	155,22	SXHCM703	112MB/132S/132SA	6	30000
5,5	4924	1,0	259,64	SXHCM703	100LB/112MS	4	30000
5,2	5269	1,6	185,96	SXHCM903	132S/132SA	6	55000
4,7	5817	0,9	207,43	SXHCM703	132S	6	30000
4,7	5839	1,4	206,08	SXHCM903	132S/132SA	6	55000

4,00 kW

n ₂ [rpm]	M ₂ [Nm]	f _s	i	Gear reducer	Motor		Fr ₂ [N]
					Size	Pole	
2255,0	16	2,1	1,27	SXHCM241	100LB/112M/112MA	2	1365
2022,0	18	2,8	1,42	SXHCM241	100LB/112M/112MA	2	1408
1350,6	26	1,8	2,13	SXHCM241	100LB/112M/112MA	2	1571
1350,6	26	3,7	2,13	SXHCM281	100LB/112M/112MA	2	2363
1148,0	31	2,2	2,50	SXACM281	100LB/112M/112MA	2	1993
1139,3	33	1,4	1,27	SXHCM241	112M/112MA	4	1634
1116,1	32	1,8	2,57	SXHCM241	100LB/112M/112MA	2	1649

5.1 SXHC/SXAC GEARED MOTORS (50Hz)

4,00 kW

n2 [rpm]	M2 [Nm]	fs	i	Gear reducer	Motor		Fr2 [N]
					Size	Pole	
1116,1	32	3,3	2,57	SXHCM281	100LB/112M/112MA	2	2501
1087,5	34	2,6	1,33	SXACM281	112M/112MA	4	2029
1071,6	35	2,9	1,34	SXHCM281	112M/112MA	4	2527
1014,5	37	1,8	1,42	SXHCM241	112M/112MA	4	1681
906,3	39	1,6	3,17	SXHCM241	100LB/112M/112MA	2	1736
906,3	39	2,7	3,17	SXHCM281	100LB/112M/112MA	2	2659
778,3	46	1,5	3,69	SXHCM241	100LB/112M/112MA	2	1798
778,3	46	2,4	3,69	SXHCM281	100LB/112M/112MA	2	2778
717,5	50	1,4	4,00	SXHCM241	100LB/112M/112MA	2	1831
717,5	50	2,3	4,00	SXHCM281	100LB/112M/112MA	2	2843
677,6	55	1,2	2,13	SXHCM241	112M/112MA	4	1843
677,6	55	2,4	2,13	SXHCM281	112M/112MA	4	2882
654,6	55	1,5	4,38	SXACM281	100LB/112M/112MA	2	2403
601,8	59	1,2	4,77	SXHCM241	100LB/112M/112MA	2	1901
601,8	59	2,0	4,77	SXHCM281	100LB/112M/112MA	2	2987
580,0	64	1,4	2,50	SXACM281	112M/112MA	4	2502
563,9	66	1,1	2,57	SXHCM241	112M/112MA	4	1912
563,9	66	2,1	2,57	SXHCM281	112M/112MA	4	3031
558,1	63	2,8	5,14	SXACM302	100LB/112M/112MA	2	2237
546,7	65	1,1	5,25	SXHCM241	100LB/112M/112MA	2	1937
546,7	65	1,9	5,25	SXHCM281	100LB/112M/112MA	2	3066
525,4	67	1,8	5,46	SXHCM302	100LB/112M/112MA	2	3575
518,2	69	3,6	5,54	SXHCM381	100LB/112M/112MA	2	3590
502,3	75	3,5	1,93	SXHCM381	132MA	6	3617
501,1	71	2,8	5,73	SXHCM352	100LB/112M/112MA	2	4721
493,3	72	1,0	5,82	SXHCM241	100LB/112M/112MA	2	1975
493,3	72	1,8	5,82	SXHCM281	100LB/112M/112MA	2	3153
471,8	76	3,4	6,08	SXHCM381	100LB/112M/112MA	2	3693
461,3	77	2,3	6,22	SXACM302	100LB/112M/112MA	2	2384
461,3	77	3,7	6,22	SXACM402	100LB/112M/112MA	2	3519
457,9	81	1,1	3,17	SXHCM241	112M/112MA	4	1984
457,9	81	1,7	3,17	SXHCM281	112M/112MA	4	3205
443,1	84	3,8	3,25	SXHCM381	112M/112MA	4	3757
416,3	85	2,6	6,89	SXHCM352	100LB/112M/112MA	2	4953
391,4	91	1,4	7,33	SXHCM281	100LB/112M/112MA	2	3351
390,5	95	0,9	3,69	SXHCM241	112M/112MA	4	2033
390,5	95	1,6	3,69	SXHCM281	112M/112MA	4	3340
386,9	96	3,3	3,72	SXHCM381	112M/112MA	4	3912
382,7	93	2,8	7,50	SXHCM381	100LB/112M/112MA	2	3931
377,7	99	3,1	2,54	SXHCM381	132MA	6	3937
371,1	95	1,9	7,73	SXACM302	100LB/112M/112MA	2	2563
371,1	95	3,0	7,73	SXACM402	100LB/112M/112MA	2	3783

4,00 kW

n2 [rpm]	M2 [Nm]	fs	i	Gear reducer	Motor		Fr2 [N]
					Size	Pole	
360,0	103	1,5	4,00	SXHCM281	112M/112MA	4	3409
360,0	103	3,1	4,00	SXHCM381	112M/112MA	4	3995
342,7	104	1,2	8,38	SXHCM281	100LB/112M/112MA	2	3466
339,9	105	2,5	8,44	SXHCM381	100LB/112M/112MA	2	4000
336,6	105	2,4	8,53	SXHCM352	100LB/112M/112MA	2	5219
328,4	113	1,0	4,38	SXACM281	112M/112MA	4	3024
308,6	120	2,7	4,67	SXHCM381	112M/112MA	4	4000
305,8	116	3,9	9,39	SXHCM402	100LB/112M/112MA	2	9507
301,9	123	1,3	4,77	SXHCM281	112M/112MA	4	3558
300,1	118	2,4	9,56	SXHCM352	100LB/112M/112MA	2	5362
297,6	119	1,9	9,64	SXACM302	100LB/112M/112MA	2	2759
297,6	119	2,9	9,64	SXACM402	100LB/112M/112MA	2	4072
295,4	127	2,6	3,25	SXHCM381	132MA	6	4000
280,0	131	1,8	5,14	SXACM302	112M/112MA	4	2816
280,0	131	2,9	5,14	SXACM402	112M/112MA	4	4156
274,3	135	1,3	5,25	SXHCM281	112M/112MA	4	3639
267,9	137	3,7	5,38	SXHCM402	112M/112MA	4	9838
263,6	139	1,2	5,46	SXHCM302	112M/112MA	4	4037
260,0	143	2,3	5,54	SXHCM381	112M/112MA	4	4000
257,9	145	2,3	3,72	SXHCM381	132MA	6	4000
251,4	146	1,8	5,73	SXHCM352	112M/112MA	4	5546
249,3	142	2,1	11,51	SXHCM352	100LB/112M/112MA	2	5590
247,5	150	1,1	5,82	SXHCM281	112M/112MA	4	3700
246,0	144	1,5	11,67	SXACM302	100LB/112M/112MA	2	2940
246,0	144	2,3	11,67	SXACM402	100LB/112M/112MA	2	4339
245,6	144	3,4	11,69	SXHCM402	100LB/112M/112MA	2	10106
242,6	151	3,6	5,93	SXHCM402	112M/112MA	4	10108
240,0	156	2,2	4,00	SXHCM381	132MA	6	4000
236,7	157	2,2	6,08	SXHCM381	112M/112MA	4	4000
231,4	158	1,5	6,22	SXACM302	112M/112MA	4	3000
231,4	158	2,4	6,22	SXACM402	112M/112MA	4	4428
231,1	160	4,0	6,23	SXHCM481	112MA ⁽¹⁾	4	5000
227,4	165	3,9	4,22	SXHCM481	132MA	6	5000
226,6	156	3,4	12,67	SXHCM402	100LB/112M/112MA	2	10330
208,9	176	1,7	6,89	SXHCM352	112M/112MA	4	5759
205,7	182	1,8	4,67	SXHCM381	132MA	6	4000
201,6	176	1,8	14,24	SXHCM352	100LB/112M/112MA	2	5841
197,9	179	1,8	14,50	SXACM402	100LB/112M/112MA	2	4665
196,9	190	3,4	4,88	SXHCM481	132MA	6	5000
196,4	189	0,9	7,33	SXHCM281	112M/112MA	4	3700
194,8	188	2,9	7,39	SXHCM402	112M/112MA	4	10717
194,6	182	2,9	14,75	SXHCM402	100LB/112M/112MA	2	10760

⁽¹⁾ Available only with brake motor (TBS)

5.1 SXHC/SXAC GEARED MOTORS (50Hz)

4,00 kW

n ₂ [rpm]	M ₂ [Nm]	f _s	i	Gear reducer	Motor		Fr ₂ [N]
					Size	Pole	
192,0	193	1,8	7,50	SXHCM381	112M/112MA	4	4000
190,8	194	3,3	7,55	SXHCM481	112M/112MA	4	5000
186,2	197	1,2	7,73	SXACM302	112M/112MA	4	3226
186,2	197	1,9	7,73	SXACM402	112M/112MA	4	4761
182,3	205	3,2	5,27	SXHCM481	132MA	6	5000
178,6	207	2,5	5,38	SXHCM402	132MA	6	10950
178,1	208	3,5	5,39	SXHCM502	132MA	6	13822
176,2	201	3,0	16,29	SXHCM402	100LB/112M/112MA	2	11042
173,3	216	1,6	5,54	SXHCM381	132MA	6	4000
173,0	205	1,6	16,59	SXHCM352	100LB/112M/112MA	2	6010
171,4	216	3,0	8,40	SXHCM481	112M/112MA	4	5000
170,5	217	1,6	8,44	SXHCM381	112M/112MA	4	4000
169,7	209	1,8	16,91	SXACM402	100LB/112M/112MA	2	4911
169,4	216	2,8	8,50	SXHCM402	112M/112MA	4	11111
168,9	217	1,6	8,53	SXHCM352	112M/112MA	4	5985
162,5	218	2,9	17,67	SXHCM402	100LB/112M/112MA	2	11275
161,8	229	2,5	5,93	SXHCM402	132MA	6	11228
161,6	227	0,9	8,91	SXHCM302	112M/112MA	4	4218
161,5	229	3,2	5,95	SXHCM502	132MA	6	14212
159,4	222	1,6	18,00	SXHCM352	100LB/112M/112MA	2	6095
157,8	237	1,5	6,08	SXHCM381	132MA	6	4000
154,1	243	2,8	6,23	SXHCM481	132MA	6	5000
153,6	244	3,9	6,25	SXHCM551	132MA	6	6000
153,4	239	2,5	9,39	SXHCM402	112M/112MA	4	11391
150,6	244	1,5	9,56	SXHCM352	112M/112MA	4	6095
149,3	246	1,2	9,64	SXACM302	112M/112MA	4	3472
149,3	246	1,9	9,64	SXACM402	112M/112MA	4	5125
141,5	250	2,5	20,28	SXHCM402	100LB/112M/112MA	2	11672
140,3	252	1,4	20,46	SXACM402	100LB/112M/112MA	2	5233
139,6	263	0,9	10,31	SXHCM302	112M/112MA	4	4223
129,9	285	2,0	7,39	SXHCM402	132MA	6	11844
129,8	285	2,9	7,39	SXHCM502	132MA	6	15095
128,0	292	1,3	7,50	SXHCM381	132MA	6	4000
127,2	294	2,3	7,55	SXHCM481	132MA	6	5000
125,1	293	1,3	11,51	SXHCM352	112M/112MA	4	6251
124,7	300	3,5	7,70	SXHCM551	132MA	6	6000
123,4	297	0,9	11,67	SXACM302	112M/112MA	4	3700
123,4	297	1,5	11,67	SXACM402	112M/112MA	4	5461
123,3	287	2,2	23,27	SXHCM402	100LB/112M/112MA	2	12000
123,2	298	2,2	11,69	SXHCM402	112M/112MA	4	12000
119,7	309	2,7	8,02	SXHCM502	132MA	6	15430
114,3	327	2,1	8,40	SXHCM481	132MA	6	5000

4,00 kW

n2 [rpm]	M2 [Nm]	fs	i	Gear reducer	Motor		Fr2 [N]
					Size	Pole	
113,7	329	1,1	8,44	SXHCM381	132MA	6	4000
113,7	323	2,2	12,67	SXHCM402	112M/112MA	4	12000
112,9	328	1,9	8,50	SXHCM402	132MA	6	12000
111,7	317	2,0	25,70	SXHCM402	100LB/112M/112MA	2	12000
108,5	341	2,8	8,85	SXHCM502	132MA	6	15840
107,9	328	3,7	26,60	SXHCM502	100LB/112M/112MA	2	15932
102,9	344	3,5	27,88	SXHCM502	100LB/112M/112MA	2	16132
102,3	362	1,7	9,39	SXHCM402	132MA	6	12000
101,1	363	1,2	14,24	SXHCM352	112M/112MA	4	6384
99,3	369	1,1	14,50	SXACM402	112M/112MA	4	5871
97,8	362	1,7	29,33	SXHCM402	100LB/112M/112MA	2	12000
97,6	376	1,9	14,75	SXHCM402	112M/112MA	4	12000
96,7	379	4,0	14,90	SXHCM502	112M/112MA	4	16340
92,1	384	3,1	31,15	SXHCM502	100LB/112M/112MA	2	16608
89,7	395	1,6	32,00	SXHCM402	100LB/112M/112MA	2	12000
88,4	415	1,9	16,29	SXHCM402	112M/112MA	4	12000
87,2	425	2,7	11,01	SXHCM502	132MA	6	16758
86,8	423	1,1	16,59	SXHCM352	112M/112MA	4	6439
86,7	423	3,5	16,62	SXHCM502	112M/112MA	4	16804
85,1	431	1,2	16,91	SXACM402	112M/112MA	4	6180
83,5	424	2,8	34,38	SXHCM502	100LB/112M/112MA	2	17033
82,1	451	1,5	11,69	SXHCM402	132MA	6	12000
81,5	450	1,8	17,67	SXHCM402	112M/112MA	4	12000
80,0	458	1,0	18,00	SXHCM352	112M/112MA	4	6452
77,7	472	3,2	18,53	SXHCM502	112M/112MA	4	17266
75,8	489	1,5	12,67	SXHCM402	132MA	6	12000
74,3	494	3,2	19,38	SXHCM502	112M/112MA	4	17459
74,2	477	2,5	38,70	SXHCM502	100LB/112M/112MA	2	17546
72,1	509	0,9	19,97	SXHCM352	112M/112MA	4	6449
71,1	521	2,8	13,50	SXHCM502	132MA	6	17621
71,0	516	1,6	20,28	SXHCM402	112M/112MA	4	12000
70,4	521	0,9	20,46	SXACM402	112M/112MA	4	6585
67,3	545	2,9	21,39	SXHCM502	112M/112MA	4	17876
67,1	527	2,3	42,75	SXHCM502	100LB/112M/112MA	2	17976
65,1	569	1,3	14,75	SXHCM402	132MA	6	12000
64,4	575	2,7	14,90	SXHCM502	132MA	6	18000
63,2	581	2,8	22,80	SXHCM502	112M/112MA	4	18000
61,9	593	1,4	23,27	SXHCM402	112M/112MA	4	12000
59,6	594	2,0	48,13	SXHCM502	100LB/112M/112MA	2	18000
58,9	628	1,3	16,29	SXHCM402	132MA	6	12000
57,8	641	2,5	16,62	SXHCM502	132MA	6	18000
56,0	654	1,3	25,70	SXHCM402	112M/112MA	4	12000

4,00 kW

n ₂ [rpm]	M ₂ [Nm]	f _s	i	Gear reducer	Motor		Fr ₂ [N]
					Size	Pole	
55,7	635	3,9	51,52	SXHCM602	100LB/112M/112MA	2	22000
54,3	682	1,3	17,67	SXHCM402	132MA	6	12000
54,1	677	2,4	26,60	SXHCM502	112M/112MA	4	18000
51,8	715	2,2	18,53	SXHCM502	132MA	6	18000
51,6	710	2,3	27,88	SXHCM502	112M/112MA	4	18000
50,8	682	1,8	56,53	SXHCM503	100LB/112M/112MA	2	18000
49,5	748	2,2	19,38	SXHCM502	132MA	6	18000
49,1	747	1,1	29,33	SXHCM402	112M/112MA	4	12000
47,3	782	1,1	20,28	SXHCM402	132MA	6	12000
46,2	793	2,0	31,15	SXHCM502	112M/112MA	4	18000
45,0	815	1,0	32,00	SXHCM402	112M/112MA	4	12000
44,9	825	2,0	21,39	SXHCM502	132MA	6	18000
42,1	880	1,9	22,80	SXHCM502	132MA	6	18000
42,1	871	3,7	34,20	SXHCM602	112M/112MA	4	22000
41,9	875	1,8	34,38	SXHCM502	112M/112MA	4	18000
41,3	898	1,0	23,27	SXHCM402	132MA	6	12000
41,2	841	3,1	69,69	SXHCM603	100LB/112M/112MA	2	22000
40,2	863	1,6	71,48	SXHCM503	100LB/112M/112MA	2	18000
40,1	925	3,7	23,97	SXHCM602	132MA	6	22000
37,4	991	0,9	25,70	SXHCM402	132MA	6	12000
37,4	979	2,9	38,45	SXHCM602	112M/112MA	4	22000
37,2	986	1,6	38,70	SXHCM502	112M/112MA	4	18000
37,1	999	3,5	25,89	SXHCM602	132MA	6	22000
36,1	1026	1,6	26,60	SXHCM502	132MA	6	18000
36,0	964	2,7	79,82	SXHCM603	100LB/112M/112MA	2	22000
34,9	1052	3,1	41,30	SXHCM602	112M/112MA	4	22000
34,4	1076	1,6	27,88	SXHCM502	132MA	6	18000
34,1	1016	2,6	84,16	SXHCM603	100LB/112M/112MA	2	22000
33,7	1089	1,5	42,75	SXHCM502	112M/112MA	4	18000
33,4	1108	3,1	28,73	SXHCM602	132MA	6	22000
31,4	1167	2,8	45,82	SXHCM602	112M/112MA	4	22000
31,2	1185	2,8	30,72	SXHCM602	132MA	6	22000
30,8	1202	1,4	31,15	SXHCM502	132MA	6	18000
30,7	1127	2,3	93,36	SXHCM603	100LB/112M/112MA	2	22000
29,9	1226	1,3	48,13	SXHCM502	112M/112MA	4	18000
28,7	1208	2,2	100,07	SXHCM603	100LB/112M/112MA	2	22000
28,1	1320	2,5	34,20	SXHCM602	132MA	6	22000
28,0	1312	2,5	51,52	SXHCM602	112M/112MA	4	22000
27,9	1326	1,3	34,38	SXHCM502	132MA	6	18000
26,6	1394	3,8	36,13	SXHCM702	132MA	6	30000
25,7	1348	1,0	112,78	SXHCM503	112M/112MA	2	18000
25,5	1410	1,1	56,53	SXHCM503	112M/112MA	4	18000

5.1 SXHC/SXAC GEARED MOTORS (50Hz)

4,00 kW

n ₂ [rpm]	M ₂ [Nm]	f _s	i	Gear reducer	Motor		Fr ₂ [N]
					Size	Pole	
25,0	1484	2,0	38,45	SXHCM602	132MA	6	22000
24,8	1493	1,1	38,70	SXHCM502	132MA	6	18000
23,8	1459	1,8	120,84	SXHCM603	100LB/112M/112MA	2	22000
23,2	1593	2,2	41,30	SXHCM602	132MA	6	22000
22,5	1649	1,0	42,75	SXHCM502	132MA	6	18000
21,8	1701	3,1	44,10	SXHCM702	132MA	6	30000
21,4	1619	1,6	134,06	SXHCM603	100LB/112M/112MA	2	22000
21,4	1679	3,0	67,32	SXHCM703	112M/112MA	4	30000
21,0	1768	2,0	45,82	SXHCM602	132MA	6	22000
21,0	1729	3,0	45,77	SXHCM703	132MA	6	30000
20,7	1738	2,0	69,69	SXHCM603	112M/112MA	4	22000
20,1	1782	1,0	71,48	SXHCM503	112M/112MA	4	18000
20,0	1732	1,5	143,42	SXHCM603	100LB/112M/112MA	2	22000
19,9	1857	0,9	48,13	SXHCM502	132MA	6	18000
19,5	1838	2,7	73,71	SXHCM703	112M/112MA	4	30000
18,6	1988	1,7	51,52	SXHCM602	132MA	6	22000
18,3	1967	0,9	78,87	SXHCM503	112M/112MA	4	18000
18,0	1990	1,8	79,82	SXHCM603	112M/112MA	4	22000
17,3	2096	1,8	55,47	SXHCM603	132MA	6	22000
17,3	2078	2,4	83,34	SXHCM703	112M/112MA	4	30000
17,2	2111	2,5	55,87	SXHCM703	132MA	6	30000
17,1	2099	1,7	84,16	SXHCM603	112M/112MA	4	22000
16,2	2237	3,8	59,22	SXHCM903	132MA	6	55000
16,0	2244	2,2	89,97	SXHCM703	112M/112MA	4	30000
15,4	2328	1,5	93,36	SXHCM603	112M/112MA	4	22000
15,2	2380	3,5	62,99	SXHCM903	132MA	6	55000
14,4	2495	1,4	100,07	SXHCM603	112M/112MA	4	22000
14,4	2501	2,0	100,29	SXHCM703	112M/112MA	4	30000
14,3	2543	2,1	67,32	SXHCM703	132MA	6	30000
13,8	2633	1,4	69,69	SXHCM603	132MA	6	22000
13,5	2696	3,1	71,35	SXHCM903	132MA	6	55000
13,3	2601	1,0	215,45	SXHCM603	100LB/112M/112MA	2	22000
13,3	2702	1,9	108,34	SXHCM703	112M/112MA	4	30000
13,0	2785	1,9	73,71	SXHCM703	132MA	6	30000
12,1	2958	1,7	118,62	SXHCM703	112M/112MA	4	30000
12,1	2987	2,8	79,07	SXHCM903	132MA	6	55000
12,0	3015	1,2	79,82	SXHCM603	132MA	6	22000
11,9	3013	1,2	120,84	SXHCM603	112M/112MA	4	22000
11,5	3148	1,7	83,34	SXHCM703	132MA	6	30000
11,4	3179	1,2	84,16	SXHCM603	132MA	6	22000
11,2	3196	1,6	128,18	SXHCM703	112M/112MA	4	30000
11,1	3265	2,6	86,43	SXHCM903	132MA	6	55000

4,00 kW

n2 [rpm]	M2 [Nm]	fs	i	Gear reducer	Motor		Fr2 [N]
					Size	Pole	
10,7	3343	1,0	134,06	SXHCM603	112M/112MA	4	22000
10,7	3399	1,5	89,97	SXHCM703	132MA	6	30000
10,3	3527	1,0	93,36	SXHCM603	132MA	6	22000
10,0	3576	1,0	143,42	SXHCM603	112M/112MA	4	22000
10,0	3634	2,3	96,21	SXHCM903	132MA	6	55000
9,9	3610	1,4	144,79	SXHCM703	112M/112MA	4	30000
9,6	3780	1,0	100,07	SXHCM603	132MA	6	22000
9,6	3789	1,4	100,29	SXHCM703	132MA	6	30000
9,3	3871	1,3	155,22	SXHCM703	112M/112MA	4	30000
9,2	3948	2,1	104,51	SXHCM903	132MA	6	55000
8,9	4093	1,3	108,34	SXHCM703	132MA	6	30000
8,3	4309	1,2	172,80	SXHCM703	112M/112MA	4	30000
8,3	4379	1,9	115,92	SXHCM903	132MA	6	55000
8,1	4481	1,2	118,62	SXHCM703	132MA	6	30000
7,6	4718	1,1	189,19	SXHCM703	112M/112MA	4	30000
7,5	4842	1,1	128,18	SXHCM703	132MA	6	30000
7,5	4853	1,7	128,47	SXHCM903	132MA	6	55000
6,9	5173	1,0	207,43	SXHCM703	112M/112MA	4	30000
6,9	5272	1,6	139,55	SXHCM903	132MA	6	55000
6,6	5470	1,0	144,79	SXHCM703	132MA	6	30000
6,2	5804	0,9	155,22	SXHCM703	132MA	6	30000
6,2	5830	1,4	154,33	SXHCM903	132MA	6	55000
5,2	7025	1,2	185,96	SXHCM903	132MA	6	55000
4,7	7785	1,1	206,08	SXHCM903	132MA	6	55000

4,80 kW

n2 [rpm]	M2 [Nm]	fs	i	Gear reducer	Motor		Fr2 [N]
					Size	Pole	
1123,6	40	1,1	1,27	SXHCM241	112MB ⁽¹⁾	4	1600
1072,5	41	2,2	1,33	SXACM281	112MB ⁽¹⁾	4	2038
1064,2	42	2,4	1,34	SXHCM281	112MB ⁽¹⁾	4	2504
1007,5	44	1,5	1,42	SXHCM241	112MB ⁽¹⁾	4	1640
672,9	66	1,0	2,13	SXHCM241	112MB ⁽¹⁾	4	1779
672,9	66	2,0	2,13	SXHCM281	112MB ⁽¹⁾	4	2843
572,0	78	1,2	2,50	SXACM281	112MB ⁽¹⁾	4	2514
562,6	79	3,7	2,54	SXHCM381	112MB ⁽¹⁾	4	3469
556,1	80	0,9	2,57	SXHCM241	112MB ⁽¹⁾	4	1837
556,1	80	1,8	2,57	SXHCM281	112MB ⁽¹⁾	4	2990
451,6	98	1,4	3,17	SXHCM281	112MB ⁽¹⁾	4	3151
440,0	101	3,1	3,25	SXHCM381	112MB ⁽¹⁾	4	3729
387,8	115	1,3	3,69	SXHCM281	112MB ⁽¹⁾	4	3269
384,2	116	2,8	3,72	SXHCM381	112MB ⁽¹⁾	4	3879

⁽¹⁾ Available only with brake motor (TBS)

4,80 kW

n2 [rpm]	M2 [Nm]	fs	i	Gear reducer	Motor		Fr2 [N]
					Size	Pole	
357,5	124	1,2	4,00	SXHCM281	112MB ⁽¹⁾	4	3332
357,5	124	2,6	4,00	SXHCM381	112MB ⁽¹⁾	4	3960
326,1	136	0,8	4,38	SXACM281	112MB ⁽¹⁾	4	3031
306,4	145	2,2	4,67	SXHCM381	112MB ⁽¹⁾	4	4000
299,8	148	1,1	4,77	SXHCM281	112MB ⁽¹⁾	4	3465
278,1	158	1,5	5,14	SXACM302	112MB ⁽¹⁾	4	2822
278,1	158	2,4	5,14	SXACM402	112MB ⁽¹⁾	4	4166
272,4	163	1,0	5,25	SXHCM281	112MB ⁽¹⁾	4	3536
271,5	164	3,8	5,27	SXHCM481	112MB ⁽¹⁾	4	5000
266,0	165	3,0	5,38	SXHCM402	112MB ⁽¹⁾	4	9696
261,8	168	1,0	5,46	SXHCM302	112MB ⁽¹⁾	4	3808
258,2	172	1,9	5,54	SXHCM381	112MB ⁽¹⁾	4	4000
249,7	176	1,5	5,73	SXHCM352	112MB ⁽¹⁾	4	5358
245,8	181	0,9	5,82	SXHCM281	112MB ⁽¹⁾	4	3610
240,9	183	3,0	5,93	SXHCM402	112MB ⁽¹⁾	4	9950
235,1	189	1,8	6,08	SXHCM381	112MB ⁽¹⁾	4	4000
229,8	191	1,3	6,22	SXACM302	112MB ⁽¹⁾	4	3007
229,8	191	2,0	6,22	SXACM402	112MB ⁽¹⁾	4	4439
229,5	194	3,3	6,23	SXHCM481	112MB ⁽¹⁾	4	5000
207,4	212	1,4	6,89	SXHCM352	112MB ⁽¹⁾	4	5530
193,5	227	2,4	7,39	SXHCM402	112MB ⁽¹⁾	4	10516
190,7	233	1,5	7,50	SXHCM381	112MB ⁽¹⁾	4	4000
189,5	235	2,8	7,55	SXHCM481	112MB ⁽¹⁾	4	5000
184,9	238	1,0	7,73	SXACM302	112MB ⁽¹⁾	4	3233
184,9	238	1,6	7,73	SXACM402	112MB ⁽¹⁾	4	4772
170,2	261	2,5	8,40	SXHCM481	112MB ⁽¹⁾	4	5000
169,3	263	1,3	8,44	SXHCM381	112MB ⁽¹⁾	4	4000
168,2	262	2,3	8,50	SXHCM402	112MB ⁽¹⁾	4	10876
167,7	262	1,3	8,53	SXHCM352	112MB ⁽¹⁾	4	5699
152,4	289	2,1	9,39	SXHCM402	112MB ⁽¹⁾	4	11130
149,5	294	1,3	9,56	SXHCM352	112MB ⁽¹⁾	4	5774
148,3	297	1,0	9,64	SXACM302	112MB ⁽¹⁾	4	3480
148,3	297	1,6	9,64	SXACM402	112MB ⁽¹⁾	4	5137
124,2	354	1,1	11,51	SXHCM352	112MB ⁽¹⁾	4	5862
122,6	359	1,2	11,67	SXACM402	112MB ⁽¹⁾	4	5473
122,4	360	1,8	11,69	SXHCM402	112MB ⁽¹⁾	4	11679
112,9	390	1,8	12,67	SXHCM402	112MB ⁽¹⁾	4	11874
105,9	415	3,4	13,50	SXHCM502	112MB ⁽¹⁾	4	15638
100,4	438	1,0	14,24	SXHCM352	112MB ⁽¹⁾	4	5899
98,6	446	0,9	14,50	SXACM402	112MB ⁽¹⁾	4	5885
96,9	454	1,5	14,75	SXHCM402	112MB ⁽¹⁾	4	12000
96,0	458	3,3	14,90	SXHCM502	112MB ⁽¹⁾	4	16020

⁽¹⁾ Available only with brake motor (TBS)

4,80 kW

n2 [rpm]	M2 [Nm]	fs	i	Gear reducer	Motor		Fr2 [N]
					Size	Pole	
87,8	501	1,6	16,29	SXHCM402	112MB ⁽¹⁾	4	12000
86,1	511	2,9	16,62	SXHCM502	112MB ⁽¹⁾	4	16444
84,6	520	1,0	16,91	SXACM402	112MB ⁽¹⁾	4	6194
80,9	544	1,5	17,67	SXHCM402	112MB ⁽¹⁾	4	12000
77,2	570	2,6	18,53	SXHCM502	112MB ⁽¹⁾	4	16861
73,8	597	2,7	19,38	SXHCM502	112MB ⁽¹⁾	4	17034
70,5	624	1,4	20,28	SXHCM402	112MB ⁽¹⁾	4	12000
66,9	658	2,4	21,39	SXHCM502	112MB ⁽¹⁾	4	17404
62,7	702	2,3	22,80	SXHCM502	112MB ⁽¹⁾	4	17640
61,4	716	1,2	23,27	SXHCM402	112MB ⁽¹⁾	4	12000
55,6	791	1,1	25,70	SXHCM402	112MB ⁽¹⁾	4	12000
53,8	819	2,0	26,60	SXHCM502	112MB ⁽¹⁾	4	18000
51,3	858	1,9	27,88	SXHCM502	112MB ⁽¹⁾	4	18000
49,8	884	3,7	28,73	SXHCM602	112MB ⁽¹⁾	4	22000
46,5	945	3,4	30,72	SXHCM602	112MB ⁽¹⁾	4	22000
45,9	959	1,7	31,15	SXHCM502	112MB ⁽¹⁾	4	18000
41,8	1052	3,0	34,20	SXHCM602	112MB ⁽¹⁾	4	22000
41,6	1058	1,5	34,38	SXHCM502	112MB ⁽¹⁾	4	18000
37,2	1183	2,4	38,45	SXHCM602	112MB ⁽¹⁾	4	22000
36,9	1191	1,3	38,70	SXHCM502	112MB ⁽¹⁾	4	18000
34,6	1271	2,6	41,30	SXHCM602	112MB ⁽¹⁾	4	22000
33,5	1316	1,2	42,75	SXHCM502	112MB ⁽¹⁾	4	18000
31,2	1410	2,3	45,82	SXHCM602	112MB ⁽¹⁾	4	22000
29,7	1481	1,1	48,13	SXHCM502	112MB ⁽¹⁾	4	18000
27,8	1585	2,1	51,52	SXHCM602	112MB ⁽¹⁾	4	22000
25,3	1703	0,9	56,53	SXHCM503	112MB ⁽¹⁾	4	18000
21,2	2029	2,5	67,32	SXHCM703	112MB ⁽¹⁾	4	30000
20,5	2100	1,7	69,69	SXHCM603	112MB ⁽¹⁾	4	22000
19,4	2221	2,3	73,71	SXHCM703	112MB ⁽¹⁾	4	30000
17,9	2405	1,5	79,82	SXHCM603	112MB ⁽¹⁾	4	22000
17,2	2511	2,0	83,34	SXHCM703	112MB ⁽¹⁾	4	30000
17,0	2536	1,4	84,16	SXHCM603	112MB ⁽¹⁾	4	22000
15,9	2711	1,8	89,97	SXHCM703	112MB ⁽¹⁾	4	30000
15,3	2813	1,2	93,36	SXHCM603	112MB ⁽¹⁾	4	22000
14,3	3015	1,2	100,07	SXHCM603	112MB ⁽¹⁾	4	22000
14,3	3022	1,7	100,29	SXHCM703	112MB ⁽¹⁾	4	30000
13,2	3265	1,5	108,34	SXHCM703	112MB ⁽¹⁾	4	30000
12,1	3574	1,4	118,62	SXHCM703	112MB ⁽¹⁾	4	30000
11,8	3641	1,0	120,84	SXHCM603	112MB ⁽¹⁾	4	22000
11,2	3862	1,3	128,18	SXHCM703	112MB ⁽¹⁾	4	30000
9,9	4363	1,1	144,79	SXHCM703	112MB ⁽¹⁾	4	30000
9,2	4677	1,1	155,22	SXHCM703	112MB ⁽¹⁾	4	30000

⁽¹⁾ Available only with brake motor (TBS)

5.1 SXHC/SXAC GEARED MOTORS (50Hz)

4,80 kW

n2 [rpm]	M2 [Nm]	fs	i	Gear reducer	Motor Size	Pole	Fr2 [N]
8,3	5207	1,0	172,80	SXHCM703	112MB ⁽¹⁾	4	30000

5,50 kW

n2 [rpm]	M2 [Nm]	fs	i	Gear reducer	Motor Size	Pole	Fr2 [N]
2286,4	22	1,6	1,27	SXHCM241	112MB ⁽¹⁾	2	1325
2182,5	23	3,0	1,33	SXACM281	112MB ⁽¹⁾	2	1609
2165,6	23	3,3	1,34	SXHCM281	112MB ⁽¹⁾	2	2022
2050,2	24	2,0	1,42	SXHCM241	112MB ⁽¹⁾	2	1363
1369,4	36	1,4	2,13	SXHCM241	112MB ⁽¹⁾	2	1506
1369,4	36	2,7	2,13	SXHCM281	112MB ⁽¹⁾	2	2314
1164,0	42	1,6	2,50	SXACM281	112MB ⁽¹⁾	2	1983
1131,7	43	1,3	2,57	SXHCM241	112MB ⁽¹⁾	2	1572
1131,7	43	2,4	2,57	SXHCM281	112MB ⁽¹⁾	2	2444
918,9	54	1,2	3,17	SXHCM241	112MB ⁽¹⁾	2	1642
918,9	54	2,0	3,17	SXHCM281	112MB ⁽¹⁾	2	2590
789,2	62	1,1	3,69	SXHCM241	112MB ⁽¹⁾	2	1690
789,2	62	1,8	3,69	SXHCM281	112MB ⁽¹⁾	2	2699
781,8	63	3,8	3,72	SXHCM381	112MB/132SA/132S	2	3129
750,9	68	3,7	1,93	SXHCM381	132MS/132S	4	3162
740,0	70	3,3	1,30	SXHCM381	132MB	6	3174
727,5	68	1,7	4,00	SXHCM281	112MB ⁽¹⁾	2	2758
727,5	68	3,6	4,00	SXHCM381	112MB/132SA/132S	2	3197
672,0	77	3,3	1,43	SXHCM381	132MB	6	3267
663,7	74	1,1	4,38	SXACM281	112MB ⁽¹⁾	2	2392
623,6	79	3,0	4,67	SXHCM381	112MB/132SA/132S	2	3348
610,2	81	1,5	4,77	SXHCM281	112MB ⁽¹⁾	2	2887
574,4	89	3,3	2,54	SXHCM381	132MS/132S	4	3423
565,8	86	2,1	5,14	SXACM302	112MB ⁽¹⁾	2	2227
565,8	86	3,3	5,14	SXACM402	112MB ⁽¹⁾	2	3287
554,3	89	1,4	5,25	SXHCM281	112MB ⁽¹⁾	2	2958
532,7	91	1,3	5,46	SXHCM302	112MB ⁽¹⁾	2	3358
525,4	94	2,6	5,54	SXHCM381	112MB/132SA/132S	2	3521
508,1	96	2,0	5,73	SXHCM352	112MB ⁽¹⁾	2	4529
500,2	98	1,3	5,82	SXHCM281	112MB ⁽¹⁾	2	3034
497,1	104	2,5	1,93	SXHCM381	132MB	6	3569
478,4	103	2,5	6,08	SXHCM381	112MB/132SA/132S	2	3619
467,7	104	1,7	6,22	SXACM302	112MB ⁽¹⁾	2	2373
467,7	104	2,7	6,22	SXACM402	112MB ⁽¹⁾	2	3503
446,2	114	2,8	3,25	SXHCM381	132MS/132S	4	3684
422,1	115	1,9	6,89	SXHCM352	112MB ⁽¹⁾	2	4725
396,8	124	1,0	7,33	SXHCM281	112MB ⁽¹⁾	2	3204

⁽¹⁾ Available only with brake motor (TBS)

5,50 kW

n ₂ [rpm]	M ₂ [Nm]	f _s	i	Gear reducer	Motor		Fr ₂ [N]
					Size	Pole	
393,7	124	3,3	7,39	SXHCM402	112MB/132SA/132S	2	8646
389,6	131	2,4	3,72	SXHCM381	132MS/132S	4	3828
388,0	127	2,1	7,50	SXHCM381	112MB/132SA/132S	2	3842
385,7	127	3,8	7,55	SXHCM481	112MB/132SA/132S	2	4938
377,7	136	2,3	2,54	SXHCM381	132MB	6	3859
376,3	129	1,4	7,73	SXACM302	112MB ⁽¹⁾	2	2551
376,3	129	2,2	7,73	SXACM402	112MB ⁽¹⁾	2	3766
362,5	141	2,3	4,00	SXHCM381	132MS/132S	4	3906
346,4	142	3,4	8,40	SXHCM481	112MB/132SA/132S	2	5000
344,6	143	1,8	8,44	SXHCM381	112MB/132SA/132S	2	3973
342,4	142	3,2	8,50	SXHCM402	112MB/132SA/132S	2	8981
341,3	143	1,8	8,53	SXHCM352	112MB ⁽¹⁾	2	4942
326,5	149	1,1	8,91	SXHCM302	112MB ⁽¹⁾	2	3601
310,7	164	2,0	4,67	SXHCM381	132MS/132S	4	4000
310,1	157	2,9	9,39	SXHCM402	112MB/132SA/132S	2	9220
304,3	160	1,7	9,56	SXHCM352	112MB ⁽¹⁾	2	5054
301,8	161	1,4	9,64	SXACM302	112MB ⁽¹⁾	2	2746
301,8	161	2,1	9,64	SXACM402	112MB ⁽¹⁾	2	4053
297,4	171	3,6	4,88	SXHCM481	132MS/132S	4	5000
295,4	174	1,9	3,25	SXHCM381	132MB	6	4000
293,3	175	3,7	3,27	SXHCM481	132MB	6	5000
282,1	172	1,0	10,31	SXHCM302	112MB ⁽¹⁾	2	3645
275,3	185	3,4	5,27	SXHCM481	132MS/132S	4	5000
269,8	187	2,7	5,38	SXHCM402	132MS/132S	4	9522
269,1	187	3,7	5,39	SXHCM502	132MS/132S	4	12037
261,8	195	1,7	5,54	SXHCM381	132MS/132S	4	4000
259,5	198	3,2	3,70	SXHCM481	132MB	6	5000
257,9	200	1,7	3,72	SXHCM381	132MB	6	4000
252,8	192	1,5	11,51	SXHCM352	112MB ⁽¹⁾	2	5223
249,4	195	1,1	11,67	SXACM302	112MB ⁽¹⁾	2	2926
249,4	195	1,7	11,67	SXACM402	112MB ⁽¹⁾	2	4319
249,0	195	2,5	11,69	SXHCM402	112MB/132SA/132S	2	9757
244,3	206	2,7	5,93	SXHCM402	132MS/132S	4	9761
243,9	207	3,4	5,95	SXHCM502	132MS/132S	4	12374
240,0	214	1,6	4,00	SXHCM381	132MB	6	4000
238,4	214	1,6	6,08	SXHCM381	132MS/132S	4	4000
232,7	219	2,9	6,23	SXHCM481	132MS/132S	4	5000
229,7	212	2,5	12,67	SXHCM402	112MB/132SA/132S	2	9955
227,4	226	2,8	4,22	SXHCM481	132MB	6	5000
205,7	250	1,3	4,67	SXHCM381	132MB	6	4000
204,4	238	1,4	14,24	SXHCM352	112MB ⁽¹⁾	2	5391
200,7	242	1,3	14,50	SXACM402	112MB ⁽¹⁾	2	4644

⁽¹⁾ Available only with brake motor (TBS)

5,50 kW

n2 [rpm]	M2 [Nm]	fs	i	Gear reducer	Motor		Fr2 [N]
					Size	Pole	
200,0	257	3,6	4,80	SXHCM551	132MB	6	6000
197,3	247	2,1	14,75	SXHCM402	112MB/132SA/132S	2	10328
196,9	261	2,5	4,88	SXHCM481	132MB	6	5000
196,2	257	2,1	7,39	SXHCM402	132MS/132S	4	10290
196,1	257	3,1	7,39	SXHCM502	132MS/132S	4	13137
193,3	264	1,3	7,50	SXHCM381	132MS/132S	4	4000
192,2	265	2,5	7,55	SXHCM481	132MS/132S	4	5000
188,3	271	3,7	7,70	SXHCM551	132MS/132S	4	6000
184,1	280	3,3	5,21	SXHCM551	132MB	6	6000
182,3	282	2,3	5,27	SXHCM481	132MB	6	5000
180,8	279	2,9	8,02	SXHCM502	132MS/132S	4	13427
178,7	272	2,2	16,29	SXHCM402	112MB/132SA/132S	2	10570
178,6	285	1,8	5,38	SXHCM402	132MB	6	10497
178,1	286	2,6	5,39	SXHCM502	132MB	6	13466
175,4	277	1,2	16,59	SXHCM352	112MB ⁽¹⁾	2	5490
173,3	297	1,2	5,54	SXHCM381	132MB	6	4000
172,6	295	2,2	8,40	SXHCM481	132MS/132S	4	5000
172,1	283	1,3	16,91	SXACM402	112MB ⁽¹⁾	2	4888
171,7	297	1,2	8,44	SXHCM381	132MS/132S	4	4000
170,6	296	2,0	8,50	SXHCM402	132MS/132S	4	10621
164,7	295	2,1	17,67	SXHCM402	112MB/132SA/132S	2	10766
163,8	308	2,9	8,85	SXHCM502	132MS/132S	4	13780
161,8	315	1,8	5,93	SXHCM402	132MB	6	10728
161,7	301	1,1	18,00	SXHCM352	112MB ⁽¹⁾	2	5532
161,5	315	2,3	5,95	SXHCM502	132MB	6	13818
157,8	326	1,1	6,08	SXHCM381	132MB	6	4000
157,1	310	3,6	18,53	SXHCM502	112MB/132SA/132S	2	13983
154,5	326	1,8	9,39	SXHCM402	132MS/132S	4	10852
154,1	334	2,0	6,23	SXHCM481	132MB	6	5000
153,6	335	2,8	6,25	SXHCM551	132MB	6	6000
150,1	324	3,7	19,38	SXHCM502	112MB/132SA/132S	2	14149
145,7	334	1,0	19,97	SXHCM352	112MB ⁽¹⁾	2	5575
143,5	339	1,9	20,28	SXHCM402	112MB/132SA/132S	2	11093
142,2	342	1,0	20,46	SXACM402	112MB ⁽¹⁾	2	5209
136,1	358	3,4	21,39	SXHCM502	112MB/132SA/132S	2	14512
131,7	383	2,9	11,01	SXHCM502	132MS/132S	4	14570
129,9	392	1,5	7,39	SXHCM402	132MB	6	11221
129,8	392	2,1	7,39	SXHCM502	132MB	6	14605
128,0	402	0,9	7,50	SXHCM381	132MB	6	4000
127,6	381	3,1	22,80	SXHCM502	112MB/132SA/132S	2	14748
127,2	404	1,7	7,55	SXHCM481	132MB	6	5000
125,0	389	1,6	23,27	SXHCM402	112MB/132SA/132S	2	11409

⁽¹⁾ Available only with brake motor (TBS)

5,50 kW

n2 [rpm]	M2 [Nm]	fs	i	Gear reducer	Motor		Fr2 [N]
					Size	Pole	
124,7	413	2,5	7,70	SXHCM551	132MB	6	6000
124,1	406	1,6	11,69	SXHCM402	132MS/132S	4	11343
119,7	426	2,0	8,02	SXHCM502	132MB	6	14899
114,5	440	1,6	12,67	SXHCM402	132MS/132S	4	11514
114,3	450	1,5	8,40	SXHCM481	132MB	6	5000
113,2	430	1,5	25,70	SXHCM402	112MB/132SA/132S	2	11627
112,9	451	1,4	8,50	SXHCM402	132MB	6	11516
109,4	445	2,7	26,60	SXHCM502	112MB/132SA/132S	2	15318
108,5	470	2,0	8,85	SXHCM502	132MB	6	15254
107,4	469	3,0	13,50	SXHCM502	132MS/132S	4	15311
104,4	466	2,6	27,88	SXHCM502	112MB/132SA/132S	2	15492
102,3	498	1,3	9,39	SXHCM402	132MB	6	11712
99,2	490	1,2	29,33	SXHCM402	112MB ⁽¹⁾	2	11904
98,3	513	1,4	14,75	SXHCM402	132MS/132S	4	11817
97,3	518	2,9	14,90	SXHCM502	132MS/132S	4	15665
93,4	521	2,3	31,15	SXHCM502	112MB/132SA/132S	2	15899
89,0	566	1,4	16,29	SXHCM402	132MS/132S	4	11998
87,3	578	2,6	16,62	SXHCM502	132MS/132S	4	16054
87,2	584	2,0	11,01	SXHCM502	132MB	6	16029
84,7	575	2,1	34,38	SXHCM502	112MB/132SA/132S	2	16256
82,1	620	1,1	11,69	SXHCM402	132MB	6	12000
82,1	614	1,4	17,67	SXHCM402	132MS/132S	4	12000
78,3	644	2,3	18,53	SXHCM502	132MS/132S	4	16433
75,8	672	1,1	12,67	SXHCM402	132MB	6	12000
75,7	643	3,3	38,45	SXHCM602	112MB/132SA/132S	2	22000
75,2	647	1,9	38,70	SXHCM502	112MB/132SA/132S	2	16679
74,8	674	2,4	19,38	SXHCM502	132MS/132S	4	16589
71,5	705	1,2	20,28	SXHCM402	132MS/132S	4	12000
71,1	716	2,1	13,50	SXHCM502	132MB	6	16728
70,5	691	3,6	41,30	SXHCM602	112MB/132SA/132S	2	22000
68,1	715	1,7	42,75	SXHCM502	112MB/132SA/132S	2	17024
67,8	744	2,2	21,39	SXHCM502	132MS/132S	4	16919
65,1	782	0,9	14,75	SXHCM402	132MB	6	12000
64,4	790	2,0	14,90	SXHCM502	132MB	6	17049
63,6	793	2,0	22,80	SXHCM502	132MS/132S	4	17128
63,5	766	3,2	45,82	SXHCM602	112MB/132SA/132S	2	22000
62,3	809	1,1	23,27	SXHCM402	132MS/132S	4	12000
60,5	805	1,5	48,13	SXHCM502	112MB/132SA/132S	2	17423
60,5	834	4,0	23,97	SXHCM602	132S	4	22000
59,7	854	3,9	16,09	SXHCM602	132MB	6	22000
58,9	864	1,0	16,29	SXHCM402	132MB	6	12000
57,8	881	1,8	16,62	SXHCM502	132MB	6	17390

⁽¹⁾ Available only with brake motor (TBS)

5,50 kW

n ₂ [rpm]	M ₂ [Nm]	f _s	i	Gear reducer	Motor		Fr ₂ [N]
					Size	Pole	
56,5	861	2,9	51,52	SXHCM602	112MB/132SA/132S	2	22000
56,4	894	1,0	25,70	SXHCM402	132MS/132S	4	12000
56,0	900	3,7	25,89	SXHCM602	132MS/132S	4	22000
54,5	925	1,7	26,60	SXHCM502	132MS/132S	4	17607
54,3	937	0,9	17,67	SXHCM402	132MB	6	12000
53,8	947	3,5	17,85	SXHCM602	132MB	6	22000
52,5	908	2,9	55,47	SXHCM603	132SA/132S	2	22000
52,0	970	1,7	27,88	SXHCM502	132MS/132S	4	17744
51,8	983	1,6	18,53	SXHCM502	132MB	6	17710
50,5	999	3,3	28,73	SXHCM602	132MS/132S	4	22000
49,5	1028	1,6	19,38	SXHCM502	132MB	6	17836
48,4	1053	3,2	19,85	SXHCM602	132MB	6	22000
47,2	1068	3,0	30,72	SXHCM602	132MS/132S	4	22000
46,5	1083	1,5	31,15	SXHCM502	132MS/132S	4	18000
44,9	1135	1,5	21,39	SXHCM502	132MB	6	18000
44,8	1138	3,0	21,44	SXHCM602	132MB	6	22000
42,4	1189	2,7	34,20	SXHCM602	132MS/132S	4	22000
42,2	1195	1,3	34,38	SXHCM502	132MS/132S	4	18000
42,1	1210	1,4	22,80	SXHCM502	132MB	6	18000
41,8	1141	2,3	69,69	SXHCM603	112MB/132SA/132S	2	22000
40,1	1272	2,7	23,97	SXHCM602	132MB	6	22000
40,1	1256	4,0	36,13	SXHCM702	132S ⁽¹⁾	4	30000
37,7	1337	2,1	38,45	SXHCM602	132MS/132S	4	22000
37,5	1346	1,2	38,70	SXHCM502	132MS/132S	4	18000
37,1	1374	2,5	25,89	SXHCM602	132MB	6	22000
36,5	1307	2,0	79,82	SXHCM603	112MB/132SA/132S	2	22000
36,1	1411	1,2	26,60	SXHCM502	132MB	6	18000
35,1	1436	2,3	41,30	SXHCM602	132MS/132S	4	22000
34,9	1458	3,6	27,49	SXHCM702	132MB	6	30000
34,6	1378	1,9	84,16	SXHCM603	112MB/132SA/132S	2	22000
34,4	1479	1,1	27,88	SXHCM502	132MB	6	18000
33,9	1487	1,1	42,75	SXHCM502	132MS/132S	4	18000
33,4	1524	2,3	28,73	SXHCM602	132MB	6	22000
32,9	1534	3,3	44,10	SXHCM702	132MS/132S	4	30000
32,1	1584	3,3	29,86	SXHCM702	132MB	6	30000
31,7	1559	3,2	45,77	SXHCM703	132MS/132S	4	30000
31,6	1593	2,1	45,82	SXHCM602	132MS/132S	4	22000
31,2	1630	2,1	30,72	SXHCM602	132MB	6	22000
31,2	1529	1,7	93,36	SXHCM603	112MB/132SA/132S	2	22000
30,8	1653	1,0	31,15	SXHCM502	132MB	6	18000
30,1	1674	1,0	48,13	SXHCM502	132MS/132S	4	18000
29,1	1638	1,6	100,07	SXHCM603	112MB/132SA/132S	2	22000

⁽¹⁾ Available only with brake motor (TBS)

5.1 SXHC/SXAC GEARED MOTORS (50Hz)

5,50 kW

n2 [rpm]	M2 [Nm]	fs	i	Gear reducer	Motor		Fr2 [N]
					Size	Pole	
29,1	1751	3,0	33,00	SXHCM702	132MB	6	30000
28,1	1814	1,9	34,20	SXHCM602	132MB	6	22000
28,1	1791	1,8	51,52	SXHCM602	132MS/132S	4	22000
27,9	1824	0,9	34,38	SXHCM502	132MB	6	18000
26,6	1917	2,7	36,13	SXHCM702	132MB	6	30000
26,1	1889	1,9	55,47	SXHCM603	132MS/132S	4	22000
26,0	1902	2,6	55,87	SXHCM703	132MS/132S	4	30000
25,0	2040	1,4	38,45	SXHCM602	132MB	6	22000
24,5	2016	4,0	59,22	SXHCM903	132S	4	55000
23,2	2191	1,6	41,30	SXHCM602	132MB	6	22000
23,0	2145	3,7	62,99	SXHCM903	132MS/132S	4	55000
21,8	2340	2,2	44,10	SXHCM702	132MB	6	30000
21,5	2292	2,2	67,32	SXHCM703	132MS/132S	4	30000
21,0	2431	1,4	45,82	SXHCM602	132MB	6	22000
21,0	2378	2,2	45,77	SXHCM703	132MB	6	30000
20,8	2373	1,5	69,69	SXHCM603	132MS/132S	4	22000
20,3	2430	3,3	71,35	SXHCM903	132MS/132S	4	55000
19,7	2510	2,0	73,71	SXHCM703	132MS/132S	4	30000
18,6	2733	1,3	51,52	SXHCM602	132MB	6	22000
18,3	2606	1,0	160,82	SXHCM603	132SA/132S	2	22000
18,3	2693	3,0	79,07	SXHCM903	132MS/132S	4	55000
18,2	2718	1,3	79,82	SXHCM603	132MS/132S	4	22000
17,9	2780	3,0	53,53	SXHCM903	132MB	6	55000
17,4	2838	1,8	83,34	SXHCM703	132MS/132S	4	30000
17,3	2882	1,3	55,47	SXHCM603	132MB	6	22000
17,2	2866	1,2	84,16	SXHCM603	132MS/132S	4	22000
17,2	2902	1,8	55,87	SXHCM703	132MB	6	30000
16,8	2943	2,7	86,43	SXHCM903	132MS/132S	4	55000
16,2	3076	2,7	59,22	SXHCM903	132MB	6	55000
16,1	3064	1,6	89,97	SXHCM703	132MS/132S	4	30000
15,5	3179	1,1	93,36	SXHCM603	132MS/132S	4	22000
15,2	3272	2,6	62,99	SXHCM903	132MB	6	55000
15,1	3276	2,4	96,21	SXHCM903	132MS/132S	4	55000
14,5	3407	1,0	100,07	SXHCM603	132MS/132S	4	22000
14,5	3415	1,5	100,29	SXHCM703	132MS/132S	4	30000
14,3	3497	1,5	67,32	SXHCM703	132MB	6	30000
13,9	3559	2,2	104,51	SXHCM903	132MS/132S	4	55000
13,8	3620	1,0	69,69	SXHCM603	132MB	6	22000
13,5	3706	2,3	71,35	SXHCM903	132MB	6	55000
13,4	3689	1,4	108,34	SXHCM703	132MS/132S	4	30000
13,0	3829	1,4	73,71	SXHCM703	132MB	6	30000
12,5	3947	2,0	115,92	SXHCM903	132MS/132S	4	55000

5,50 kW

n2 [rpm]	M2 [Nm]	fs	i	Gear reducer	Motor		Fr2 [N]
					Size	Pole	
12,2	4039	1,2	118,62	SXHCM703	132MS/132S	4	30000
12,1	4108	2,0	79,07	SXHCM903	132MB	6	55000
11,5	4329	1,2	83,34	SXHCM703	132MB	6	30000
11,3	4364	1,1	128,18	SXHCM703	132MS/132S	4	30000
11,3	4374	1,8	128,47	SXHCM903	132MS/132S	4	55000
11,1	4490	1,9	86,43	SXHCM903	132MB	6	55000
10,7	4674	1,1	89,97	SXHCM703	132MB	6	30000
10,4	4752	1,7	139,55	SXHCM903	132MS/132S	4	55000
10,0	4930	1,0	144,79	SXHCM703	132MS/132S	4	30000
10,0	4997	1,7	96,21	SXHCM903	132MB	6	55000
9,6	5209	1,0	100,29	SXHCM703	132MB	6	30000
9,4	5255	1,5	154,33	SXHCM903	132MS/132S	4	55000
9,3	5285	0,9	155,22	SXHCM703	132MS/132S	4	30000
9,2	5429	1,5	104,51	SXHCM903	132MB	6	55000
8,9	5628	0,9	108,34	SXHCM703	132MB	6	30000
8,3	6021	1,4	115,92	SXHCM903	132MB	6	55000
7,8	6332	1,3	185,96	SXHCM903	132MS/132S	4	55000
7,5	6673	1,3	128,47	SXHCM903	132MB	6	55000
7,0	7017	1,1	206,08	SXHCM903	132MS/132S	4	55000
6,9	7249	1,2	139,55	SXHCM903	132MB	6	55000
6,2	8017	1,0	154,33	SXHCM903	132MB	6	55000

7,50 kW

n2 [rpm]	M2 [Nm]	fs	i	Gear reducer	Motor		Fr2 [N]
					Size	Pole	
1144,9	59	3,8	2,54	SXHCM381	132M/132SB	2	2752
1125,4	62	3,6	1,30	SXHCM381	132MA/132M	4	2762
1022,0	68	3,5	1,43	SXHCM381	132MA/132M	4	2842
895,4	75	3,2	3,25	SXHCM381	132M/132SB	2	2961
781,8	86	2,8	3,72	SXHCM381	132M/132SB	2	3080
750,9	93	2,7	1,93	SXHCM381	132MA/132M	4	3110
732,5	92	2,6	4,00	SXHCM381	132M/132SB	2	3139
623,6	108	2,2	4,67	SXHCM381	132M/132SB	2	3287
570,5	122	2,4	2,54	SXHCM381	132MA/132M	4	3362
556,3	121	3,9	5,27	SXHCM481	132M/132SB	2	4365
541,4	123	3,1	5,38	SXHCM402	132M/132SB	2	7718
525,4	128	1,9	5,54	SXHCM381	132M/132SB	2	3449
490,3	135	3,0	5,93	SXHCM402	132M/132SB	2	7924
489,4	136	3,9	5,95	SXHCM502	132M/132SB	2	9964
478,4	140	1,8	6,08	SXHCM381	132M/132SB	2	3540
477,3	147	3,4	2,03	SXHCM481	160M	6	4564
467,0	144	3,3	6,23	SXHCM481	132M/132SB	2	4603

7,50 kW

n2 [rpm]	M2 [Nm]	fs	i	Gear reducer	Motor		Fr2 [N]
					Size	Pole	
446,2	156	2,0	3,25	SXHCM381	132MA/132M	4	3596
443,1	157	3,9	3,27	SXHCM481	132MA/132M	4	4669
393,7	169	2,4	7,39	SXHCM402	132M/132SB	2	8384
393,5	169	3,6	7,39	SXHCM502	132M/132SB	2	10602
391,9	177	3,4	3,70	SXHCM481	132MA/132M	4	4842
390,9	180	3,4	2,48	SXHCM481	160M	6	4843
389,6	178	1,8	3,72	SXHCM381	132MA/132M	4	3728
388,0	173	1,5	7,50	SXHCM381	132M/132SB	2	3745
385,7	174	2,8	7,55	SXHCM481	132M/132SB	2	4874
362,8	183	3,3	8,02	SXHCM502	132M/132SB	2	10846
362,5	192	1,7	4,00	SXHCM381	132MA/132M	4	3798
346,4	194	2,5	8,40	SXHCM481	132M/132SB	2	5000
344,6	195	1,3	8,44	SXHCM381	132M/132SB	2	3863
343,4	202	3,0	4,22	SXHCM481	132MA/132M	4	5000
342,4	194	2,3	8,50	SXHCM402	132M/132SB	2	8679
328,8	202	3,3	8,85	SXHCM502	132M/132SB	2	11145
310,7	224	1,4	4,67	SXHCM381	132MA/132M	4	3950
310,1	214	2,1	9,39	SXHCM402	132M/132SB	2	8888
308,6	227	3,9	3,14	SXHCM551	160M	6	6000
302,1	230	3,8	4,80	SXHCM551	132MA/132M	4	6000
297,4	234	2,7	4,88	SXHCM481	132MA/132M	4	5000
296,4	237	2,7	3,27	SXHCM481	160M	6	5000
278,1	250	3,5	5,21	SXHCM551	132MA/132M	4	6000
275,3	252	2,5	5,27	SXHCM481	132MA/132M	4	5000
271,0	259	3,4	3,58	SXHCM551	160M	6	6000
269,8	255	2,0	5,38	SXHCM402	132MA/132M	4	9126
269,1	256	2,7	5,39	SXHCM502	132MA/132M	4	11725
264,4	251	3,3	11,01	SXHCM502	132M/132SB	2	11821
262,2	268	2,4	3,70	SXHCM481	160M	6	5000
261,8	265	1,2	5,54	SXHCM381	132MA/132M	4	4000
249,0	266	1,8	11,69	SXHCM402	132M/132SB	2	9343
244,3	281	2,0	5,93	SXHCM402	132MA/132M	4	9324
243,9	282	2,5	5,95	SXHCM502	132MA/132M	4	12030
238,4	291	1,2	6,08	SXHCM381	132MA/132M	4	4000
235,6	298	3,0	4,12	SXHCM551	160M	6	6000
232,7	299	2,1	6,23	SXHCM481	132MA/132M	4	5000
232,0	299	3,0	6,25	SXHCM551	132MA/132M	4	6000
229,7	289	1,8	12,67	SXHCM402	132M/132SB	2	9506
229,7	305	2,1	4,22	SXHCM481	160M	6	5000
215,6	308	3,4	13,50	SXHCM502	132M/132SB	2	12465
202,1	347	2,6	4,80	SXHCM551	160M	6	6000
199,0	353	1,8	4,88	SXHCM481	160M	6	5000

5.1 SXHC/SXAC GEARED MOTORS (50Hz)

7,50 kW

n2 [rpm]	M2 [Nm]	fs	i	Gear reducer	Motor		Fr2 [N]
					Size	Pole	
197,3	336	1,6	14,75	SXHCM402	132M/132SB	2	9806
196,2	350	1,6	7,39	SXHCM402	132MA/132M	4	9745
196,1	351	2,3	7,39	SXHCM502	132MA/132M	4	12709
195,4	340	3,3	14,90	SXHCM502	132M/132SB	2	12777
193,3	359	1,0	7,50	SXHCM381	132MA/132M	4	4000
192,2	362	1,8	7,55	SXHCM481	132MA/132M	4	5000
188,3	369	2,7	7,70	SXHCM551	132MA/132M	4	6000
186,0	377	2,4	5,21	SXHCM551	160M	6	6000
184,2	381	1,7	5,27	SXHCM481	160M	6	5000
180,8	380	2,1	8,02	SXHCM502	132MA/132M	4	12963
180,0	386	1,9	5,39	SXHCM502	160M	6	12958
178,7	371	1,6	16,29	SXHCM402	132M/132SB	2	9993
175,1	379	3,0	16,62	SXHCM502	132M/132SB	2	13124
172,6	402	1,6	8,40	SXHCM481	132MA/132M	4	5000
170,6	403	1,5	8,50	SXHCM402	132MA/132M	4	9995
164,7	403	1,5	17,67	SXHCM402	132M/132SB	2	10140
163,8	420	2,1	8,85	SXHCM502	132MA/132M	4	13268
163,1	426	1,7	5,95	SXHCM502	160M	6	13262
157,1	422	2,7	18,53	SXHCM502	132M/132SB	2	13468
155,7	451	1,5	6,23	SXHCM481	160M	6	5000
155,2	452	2,1	6,25	SXHCM551	160M	6	6000
154,5	445	1,3	9,39	SXHCM402	132MA/132M	4	10161
150,1	442	2,7	19,38	SXHCM502	132M/132SB	2	13610
143,5	462	1,4	20,28	SXHCM402	132M/132SB	2	10375
136,1	488	2,5	21,39	SXHCM502	132M/132SB	2	13917
131,7	522	2,1	11,01	SXHCM502	132MA/132M	4	13933
131,2	529	1,6	7,39	SXHCM502	160M	6	13922
128,6	546	1,3	7,55	SXHCM481	160M	6	5000
127,6	520	2,3	22,80	SXHCM502	132M/132SB	2	14114
126,0	557	1,9	7,70	SXHCM551	160M	6	6000
125,0	531	1,2	23,27	SXHCM402	132M/132SB	2	10584
124,1	554	1,2	11,69	SXHCM402	132MA/132M	4	10482
120,9	574	1,5	8,02	SXHCM502	160M	6	14162
115,5	608	1,1	8,40	SXHCM481	160M	6	5000
114,5	601	1,2	12,67	SXHCM402	132MA/132M	4	10581
109,6	634	1,5	8,85	SXHCM502	160M	6	14444
109,4	607	2,0	26,60	SXHCM502	132M/132SB	2	14579
107,4	640	2,2	13,50	SXHCM502	132MA/132M	4	14530
104,4	636	1,9	27,88	SXHCM502	132M/132SB	2	14716
101,3	655	3,8	28,73	SXHCM602	132M/132SB	2	21346
98,3	699	1,0	14,75	SXHCM402	132MA/132M	4	10731
97,3	706	2,1	14,90	SXHCM502	132MA/132M	4	14804

7,50 kW

n ₂ [rpm]	M ₂ [Nm]	f _s	i	Gear reducer	Motor		Fr ₂ [N]
					Size	Pole	
94,7	700	3,4	30,72	SXHCM602	132M/132SB	2	21707
93,4	710	1,7	31,15	SXHCM502	132M/132SB	2	15033
89,0	772	1,0	16,29	SXHCM402	132MA/132M	4	10798
88,1	788	1,5	11,01	SXHCM502	160M	6	15032
87,5	794	4,0	11,09	SXHCM602	160M	6	22000
87,3	788	1,9	16,62	SXHCM502	132MA/132M	4	15093
85,1	780	3,1	34,20	SXHCM602	132M/132SB	2	22000
84,7	784	1,5	34,38	SXHCM502	132M/132SB	2	15300
82,1	838	1,0	17,67	SXHCM402	132MA/132M	4	10833
81,2	847	3,8	17,85	SXHCM602	132MA/132M	4	22000
78,3	878	1,7	18,53	SXHCM502	132MA/132M	4	15362
75,7	877	2,4	38,45	SXHCM602	132M/132SB	2	22000
75,2	883	1,4	38,70	SXHCM502	132M/132SB	2	15602
74,8	919	1,7	19,38	SXHCM502	132MA/132M	4	15468
73,1	941	3,4	19,85	SXHCM602	132MA/132M	4	22000
72,8	954	3,4	13,32	SXHCM602	160M	6	22000
71,9	967	1,5	13,50	SXHCM502	160M	6	15514
70,5	942	2,6	41,30	SXHCM602	132M/132SB	2	22000
68,1	975	1,2	42,75	SXHCM502	132M/132SB	2	15835
67,8	1014	1,6	21,39	SXHCM502	132MA/132M	4	15682
67,6	1017	3,1	21,44	SXHCM602	132MA/132M	4	22000
65,1	1066	1,5	14,90	SXHCM502	160M	6	15715
63,6	1081	1,5	22,80	SXHCM502	132MA/132M	4	15809
63,5	1045	2,4	45,82	SXHCM602	132M/132SB	2	22000
60,5	1098	1,1	48,13	SXHCM502	132M/132SB	2	16084
60,5	1137	2,9	23,97	SXHCM602	132MA/132M	4	22000
60,3	1152	2,9	16,09	SXHCM602	160M	6	22000
58,4	1190	1,3	16,62	SXHCM502	160M	6	15908
56,5	1175	2,1	51,52	SXHCM602	132M/132SB	2	22000
56,0	1228	2,7	25,89	SXHCM602	132MA/132M	4	22000
54,5	1261	1,3	26,60	SXHCM502	132MA/132M	4	16068
54,3	1278	2,6	17,85	SXHCM602	160M	6	22000
52,7	1304	3,8	27,49	SXHCM702	132MA/132M	4	30000
52,5	1239	2,1	55,47	SXHCM603	132M/132SB	2	22000
52,4	1326	1,2	18,53	SXHCM502	160M	6	16063
52,0	1322	1,2	27,88	SXHCM502	132MA/132M	4	16132
50,5	1362	2,4	28,73	SXHCM602	132MA/132M	4	22000
50,2	1383	3,8	19,32	SXHCM702	160M	6	30000
50,0	1388	1,2	19,38	SXHCM502	160M	6	16115
48,9	1421	2,4	19,85	SXHCM602	160M	6	22000
48,6	1416	3,5	29,86	SXHCM702	132MA/132M	4	30000
47,2	1457	2,2	30,72	SXHCM602	132MA/132M	4	22000

5.1 SXHC/SXAC GEARED MOTORS (50Hz)

7,50 kW

n ₂ [rpm]	M ₂ [Nm]	f _s	i	Gear reducer	Motor		Fr ₂ [N]
					Size	Pole	
47,2	1473	3,6	20,57	SXHCM702	160M	6	30000
46,5	1477	1,1	31,15	SXHCM502	132MA/132M	4	16249
45,4	1531	1,1	21,39	SXHCM502	160M	6	16200
45,2	1535	2,2	21,44	SXHCM602	160M	6	22000
43,9	1565	3,2	33,00	SXHCM702	132MA/132M	4	30000
43,1	1613	3,3	22,52	SXHCM702	160M	6	30000
42,5	1632	1,0	22,80	SXHCM502	160M	6	16233
42,4	1622	2,0	34,20	SXHCM602	132MA/132M	4	22000
42,2	1630	1,0	34,38	SXHCM502	132MA/132M	4	16310
41,8	1556	1,7	69,69	SXHCM603	132M/132SB	2	22000
40,5	1716	2,0	23,97	SXHCM602	160M	6	22000
40,1	1713	2,9	36,13	SXHCM702	132MA/132M	4	30000
39,6	1752	3,0	24,47	SXHCM702	160M	6	30000
37,7	1823	1,5	38,45	SXHCM602	132MA/132M	4	22000
37,5	1854	1,9	25,89	SXHCM602	160M	6	22000
36,5	1782	1,5	79,82	SXHCM603	132M/132SB	2	22000
35,3	1968	2,7	27,49	SXHCM702	160M	6	30000
35,1	1958	1,7	41,30	SXHCM602	132MA/132M	4	22000
34,6	1879	1,4	84,16	SXHCM603	132M/132SB	2	22000
33,8	2057	1,7	28,73	SXHCM602	160M	6	22000
32,9	2091	2,4	44,10	SXHCM702	132MA/132M	4	30000
32,5	2138	2,5	29,86	SXHCM702	160M	6	30000
31,7	2125	2,4	45,77	SXHCM703	132MA/132M	4	30000
31,6	2199	1,5	30,72	SXHCM602	160M	6	22000
31,6	2173	1,5	45,82	SXHCM602	132MA/132M	4	22000
31,2	2085	1,3	93,36	SXHCM603	132M/132SB	2	22000
30,1	2308	3,6	32,24	SXHCM902	160M	6	55000
29,4	2363	2,2	33,00	SXHCM702	160M	6	30000
29,1	2234	1,2	100,07	SXHCM603	132M/132SB	2	22000
28,4	2449	1,4	34,20	SXHCM602	160M	6	22000
28,1	2443	1,4	51,52	SXHCM602	132MA/132M	4	22000
27,1	2485	3,2	53,53	SXHCM903	132MA/132M	4	55000
26,8	2587	2,0	36,13	SXHCM702	160M	6	30000
26,1	2576	1,4	55,47	SXHCM603	132MA/132M	4	22000
26,0	2594	1,9	55,87	SXHCM703	132MA/132M	4	30000
25,0	2781	3,0	38,85	SXHCM902	160M	6	55000
24,5	2750	2,9	59,22	SXHCM903	132MA/132M	4	55000
23,5	2957	1,2	41,30	SXHCM602	160M	6	22000
23,0	2925	2,7	62,99	SXHCM903	132MA/132M	4	55000
22,5	3083	2,7	43,05	SXHCM902	160M	6	55000
22,0	3157	1,7	44,10	SXHCM702	160M	6	30000
21,5	3126	1,6	67,32	SXHCM703	132MA/132M	4	30000

5.1 SXHC/SXAC GEARED MOTORS (50Hz)

7,50 kW

n ₂ [rpm]	M ₂ [Nm]	fs	i	Gear reducer	Motor		Fr ₂ [N]
					Size	Pole	
21,2	3280	1,1	45,82	SXHCM602	160M	6	22000
21,2	3209	1,6	45,77	SXHCM703	160M	6	30000
20,8	3236	1,1	69,69	SXHCM603	132MA/132M	4	22000
20,3	3313	2,4	71,35	SXHCM903	132MA/132M	4	55000
20,1	3389	2,5	48,35	SXHCM903	160M	6	55000
19,7	3423	1,5	73,71	SXHCM703	132MA/132M	4	30000
18,3	3672	2,2	79,07	SXHCM903	132MA/132M	4	55000
18,2	3706	0,9	79,82	SXHCM603	132MA/132M	4	22000
18,1	3752	2,2	53,53	SXHCM903	160M	6	55000
17,5	3889	0,9	55,47	SXHCM603	160M	6	22000
17,4	3917	1,3	55,87	SXHCM703	160M	6	30000
17,4	3869	1,3	83,34	SXHCM703	132MA/132M	4	30000
17,3	3881	0,9	84,16	SXHCM603	132MA/132M	4	22000
16,8	4013	2,0	86,43	SXHCM903	132MA/132M	4	55000
16,4	4151	2,0	59,22	SXHCM903	160M	6	55000
16,1	4178	1,2	89,97	SXHCM703	132MA/132M	4	30000
15,4	4416	1,9	62,99	SXHCM903	160M	6	55000
15,1	4467	1,8	96,21	SXHCM903	132MA/132M	4	55000
14,5	4657	1,1	100,29	SXHCM703	132MA/132M	4	30000
14,4	4720	1,1	67,32	SXHCM703	160M	6	30000
13,9	4853	1,6	104,51	SXHCM903	132MA/132M	4	55000
13,6	5002	1,7	71,35	SXHCM903	160M	6	55000
13,4	5031	1,0	108,34	SXHCM703	132MA/132M	4	30000
13,2	5167	1,0	73,71	SXHCM703	160M	6	30000
12,5	5382	1,5	115,92	SXHCM903	132MA/132M	4	55000
12,3	5543	1,5	79,07	SXHCM903	160M	6	55000
12,2	5508	0,9	118,62	SXHCM703	132MA/132M	4	30000
11,3	5965	1,3	128,47	SXHCM903	132MA/132M	4	55000
11,2	6059	1,4	86,43	SXHCM903	160M	6	55000
10,4	6480	1,2	139,55	SXHCM903	132MA/132M	4	55000
10,1	6744	1,2	96,21	SXHCM903	160M	6	55000
9,4	7166	1,1	154,33	SXHCM903	132MA/132M	4	55000
9,3	7327	1,1	104,51	SXHCM903	160M	6	55000
8,4	8126	1,0	115,92	SXHCM903	160M	6	55000
7,8	8634	0,9	185,96	SXHCM903	132MA/132M	4	55000
7,6	9006	0,9	128,47	SXHCM903	160M	6	55000

9,20 kW

n ₂ [rpm]	M ₂ [Nm]	fs	i	Gear reducer	Motor		Fr ₂ [N]
					Size	Pole	
1507,0	55	3,4	1,93	SXHCM381	132M/132MA	2	2511
1144,9	72	3,1	2,54	SXHCM381	132M/132MA	2	2724

9,20 kW

n2 [rpm]	M2 [Nm]	fs	i	Gear reducer	Motor		Fr2 [N]
					Size	Pole	
1125,4	76	2,9	1,30	SXHCM381	132MB	4	2732
1015,0	84	2,9	1,43	SXHCM381	132MB	4	2815
895,4	92	2,6	3,25	SXHCM381	132M/132MA	2	2925
781,8	105	2,3	3,72	SXHCM381	132M/132MA	2	3039
756,1	113	2,2	1,93	SXHCM381	132MB	4	3060
727,5	113	2,1	4,00	SXHCM381	132M/132MA	2	3101
693,9	119	3,9	4,22	SXHCM481	132M/132MA	2	4049
623,6	132	1,8	4,67	SXHCM381	132M/132MA	2	3236
596,9	138	3,4	4,88	SXHCM481	132M/132MA	2	4237
584,3	146	3,9	2,48	SXHCM481	132MB	4	4257
570,5	149	2,0	2,54	SXHCM381	132MB	4	3304
552,5	149	3,1	5,27	SXHCM481	132M/132MA	2	4336
541,4	150	2,5	5,38	SXHCM402	132M/132MA	2	7556
540,0	151	3,5	5,39	SXHCM502	132M/132MA	2	9556
525,4	157	1,6	5,54	SXHCM381	132M/132MA	2	3388
490,3	166	2,5	5,93	SXHCM402	132M/132MA	2	7745
489,4	166	3,2	5,95	SXHCM502	132M/132MA	2	9823
478,4	172	1,5	6,08	SXHCM381	132M/132MA	2	3473
467,0	176	2,7	6,23	SXHCM481	132M/132MA	2	4558
465,6	177	3,8	6,25	SXHCM551	132M/132MA	2	5843
446,2	191	1,6	3,25	SXHCM381	132MB	4	3521
443,1	192	3,2	3,27	SXHCM481	132MB	4	4619
393,7	207	2,0	7,39	SXHCM402	132M/132MA	2	8162
393,5	207	2,9	7,39	SXHCM502	132M/132MA	2	10428
391,9	217	2,8	3,70	SXHCM481	132MB	4	4786
389,6	219	1,5	3,72	SXHCM381	132MB	4	3643
388,0	212	1,2	7,50	SXHCM381	132M/132MA	2	3662
385,7	213	2,3	7,55	SXHCM481	132M/132MA	2	4819
377,9	218	3,4	7,70	SXHCM551	132M/132MA	2	6000
362,8	224	2,7	8,02	SXHCM502	132M/132MA	2	10657
362,5	235	1,4	4,00	SXHCM381	132MB	4	3707
352,1	242	3,5	4,12	SXHCM551	132MB	4	6000
346,4	237	2,1	8,40	SXHCM481	132M/132MA	2	4970
344,6	239	1,1	8,44	SXHCM381	132M/132MA	2	3770
343,4	248	2,5	4,22	SXHCM481	132MB	4	4970
342,4	238	1,9	8,50	SXHCM402	132M/132MA	2	8424
328,8	248	2,7	8,85	SXHCM502	132M/132MA	2	10936
310,7	274	1,2	4,67	SXHCM381	132MB	4	3843
310,1	263	1,7	9,39	SXHCM402	132M/132MA	2	8605
302,1	282	3,1	4,80	SXHCM551	132MB	4	6000
297,4	287	2,2	4,88	SXHCM481	132MB	4	5000
278,1	306	2,9	5,21	SXHCM551	132MB	4	6000

9,20 kW

n ₂ [rpm]	M ₂ [Nm]	f _s	i	Gear reducer	Motor		Fr ₂ [N]
					Size	Pole	
275,3	310	2,0	5,27	SXHCM481	132MB	4	5000
269,8	313	1,6	5,38	SXHCM402	132MB	4	8789
269,1	313	2,2	5,39	SXHCM502	132MB	4	11460
264,4	308	2,7	11,01	SXHCM502	132M/132MA	2	11561
261,8	326	1,0	5,54	SXHCM381	132MB	4	3992
249,0	327	1,5	11,69	SXHCM402	132M/132MA	2	8991
244,3	345	1,6	5,93	SXHCM402	132MB	4	8952
243,9	346	2,0	5,95	SXHCM502	132MB	4	11737
238,4	358	1,0	6,08	SXHCM381	132MB	4	4000
232,7	366	1,7	6,23	SXHCM481	132MB	4	5000
232,0	367	2,5	6,25	SXHCM551	132MB	4	6000
229,7	354	1,5	12,67	SXHCM402	132M/132MA	2	9125
215,6	378	2,8	13,50	SXHCM502	132M/132MA	2	12146
197,3	413	1,3	14,75	SXHCM402	132M/132MA	2	9362
196,2	430	1,3	7,39	SXHCM402	132MB	4	9282
196,1	430	1,9	7,39	SXHCM502	132MB	4	12346
195,4	417	2,7	14,90	SXHCM502	132M/132MA	2	12425
192,2	443	1,5	7,55	SXHCM481	132MB	4	5000
188,3	453	2,2	7,70	SXHCM551	132MB	4	6000
180,8	467	1,7	8,02	SXHCM502	132MB	4	12568
178,7	456	1,3	16,29	SXHCM402	132M/132MA	2	9502
175,1	465	2,4	16,62	SXHCM502	132M/132MA	2	12731
172,6	494	1,3	8,40	SXHCM481	132MB	4	5000
170,6	494	1,2	8,50	SXHCM402	132MB	4	9463
163,8	515	1,7	8,85	SXHCM502	132MB	4	12833
157,1	518	2,2	18,53	SXHCM502	132M/132MA	2	13030
154,5	546	1,1	9,39	SXHCM402	132MB	4	9573
150,1	542	2,2	19,38	SXHCM502	132M/132MA	2	13152
136,1	598	2,0	21,39	SXHCM502	132M/132MA	2	13412
131,7	640	1,7	11,01	SXHCM502	132MB	4	13392
127,6	638	1,9	22,80	SXHCM502	132M/132MA	2	13575
124,1	680	1,0	11,69	SXHCM402	132MB	4	9750
121,4	670	3,7	23,97	SXHCM602	132M/132MA	2	19905
114,5	737	1,0	12,67	SXHCM402	132MB	4	9787
112,4	724	3,4	25,89	SXHCM602	132M/132MA	2	20281
109,4	744	1,6	26,60	SXHCM502	132M/132MA	2	13950
108,8	775	4,0	13,32	SXHCM602	132MB ⁽¹⁾	4	20334
107,4	785	1,8	13,50	SXHCM502	132MB	4	13866
104,4	780	1,5	27,88	SXHCM502	132M/132MA	2	14057
101,3	804	3,1	28,73	SXHCM602	132M/132MA	2	20783
97,3	866	1,7	14,90	SXHCM502	132MB	4	14071
94,7	859	2,8	30,72	SXHCM602	132M/132MA	2	21105

⁽¹⁾ Available only with brake motor (TBS)

9,20 kW

n2 [rpm]	M2 [Nm]	fs	i	Gear reducer	Motor		Fr2 [N]
					Size	Pole	
93,4	871	1,4	31,15	SXHCM502	132M/132MA	2	14296
90,1	936	3,4	16,09	SXHCM602	132MB	4	21219
87,3	967	1,6	16,62	SXHCM502	132MB	4	14276
85,1	957	2,5	34,20	SXHCM602	132M/132MA	2	21614
84,7	961	1,2	34,38	SXHCM502	132M/132MA	2	14487
81,2	1038	3,1	17,85	SXHCM602	132MB	4	21694
78,3	1078	1,4	18,53	SXHCM502	132MB	4	14451
75,7	1076	2,0	38,45	SXHCM602	132M/132MA	2	22000
75,2	1083	1,1	38,70	SXHCM502	132M/132MA	2	14687
74,8	1128	1,4	19,38	SXHCM502	132MB	4	14515
73,1	1155	2,8	19,85	SXHCM602	132MB	4	22000
70,5	1155	2,1	41,30	SXHCM602	132M/132MA	2	22000
68,1	1196	1,0	42,75	SXHCM502	132M/132MA	2	14825
67,8	1244	1,3	21,39	SXHCM502	132MB	4	14631
67,6	1247	2,6	21,44	SXHCM602	132MB	4	22000
64,4	1310	3,8	22,52	SXHCM702	132MB	4	30000
63,6	1326	1,2	22,80	SXHCM502	132MB	4	14688
63,5	1282	1,9	45,82	SXHCM602	132M/132MA	2	22000
60,5	1394	2,4	23,97	SXHCM602	132MB	4	22000
59,3	1423	3,5	24,47	SXHCM702	132MB	4	30000
56,5	1441	1,7	51,52	SXHCM602	132M/132MA	2	22000
56,0	1506	2,2	25,89	SXHCM602	132MB	4	22000
54,5	1547	1,0	26,60	SXHCM502	132MB	4	14760
52,7	1599	3,1	27,49	SXHCM702	132MB	4	30000
52,5	1519	1,7	55,47	SXHCM603	132M/132MA	2	22000
52,0	1622	1,0	27,88	SXHCM502	132MB	4	14761
50,5	1671	2,0	28,73	SXHCM602	132MB	4	22000
48,6	1737	2,9	29,86	SXHCM702	132MB	4	30000
47,2	1787	1,8	30,72	SXHCM602	132MB	4	22000
43,9	1920	2,6	33,00	SXHCM702	132MB	4	30000
42,4	1989	1,6	34,20	SXHCM602	132MB	4	22000
41,8	1909	1,4	69,69	SXHCM603	132M/132MA	2	22000
40,1	2102	2,4	36,13	SXHCM702	132MB	4	30000
37,7	2237	1,3	38,45	SXHCM602	132MB	4	22000
36,5	2186	1,2	79,82	SXHCM603	132M/132MA	2	22000
35,1	2402	1,4	41,30	SXHCM602	132MB	4	22000
34,6	2305	1,1	84,16	SXHCM603	132M/132MA	2	22000
32,9	2565	1,9	44,10	SXHCM702	132MB	4	30000
31,7	2607	1,9	45,77	SXHCM703	132MB	4	30000
31,6	2665	1,2	45,82	SXHCM602	132MB	4	22000
31,2	2557	1,0	93,36	SXHCM603	132M/132MA	2	22000
28,1	2997	1,1	51,52	SXHCM602	132MB	4	22000

9,20 kW

n2 [rpm]	M2 [Nm]	fs	i	Gear reducer	Motor Size	Pole	Fr2 [N]
27,1	3049	2,6	53,53	SXHCM903	132MB	4	55000
26,1	3160	1,1	55,47	SXHCM603	132MB	4	22000
26,0	3182	1,6	55,87	SXHCM703	132MB	4	30000
24,5	3373	2,4	59,22	SXHCM903	132MB	4	55000
23,0	3588	2,2	62,99	SXHCM903	132MB	4	55000
21,5	3835	1,3	67,32	SXHCM703	132MB	4	30000
20,3	4064	2,0	71,35	SXHCM903	132MB	4	55000
19,7	4198	1,2	73,71	SXHCM703	132MB	4	30000
18,3	4504	1,8	79,07	SXHCM903	132MB	4	55000
17,4	4747	1,1	83,34	SXHCM703	132MB	4	30000
16,8	4923	1,6	86,43	SXHCM903	132MB	4	55000
16,1	5124	1,0	89,97	SXHCM703	132MB	4	30000
15,1	5480	1,5	96,21	SXHCM903	132MB	4	55000
13,9	5953	1,3	104,51	SXHCM903	132MB	4	55000
12,5	6603	1,2	115,92	SXHCM903	132MB	4	55000
11,3	7317	1,1	128,47	SXHCM903	132MB	4	55000
10,4	7949	1,0	139,55	SXHCM903	132MB	4	55000
9,4	8790	0,9	154,33	SXHCM903	132MB	4	55000

11,00 kW

n2 [rpm]	M2 [Nm]	fs	i	Gear reducer	Motor Size	Pole	Fr2 [N]
2243,1	44	3,8	1,30	SXHCM381	132MB ⁽¹⁾	2	2211
2037,0	48	3,7	1,43	SXHCM381	132MB ⁽¹⁾	2	2276
1507,0	65	2,9	1,93	SXHCM381	132MB ⁽¹⁾	2	2489
1144,9	86	2,6	2,54	SXHCM381	132MB ⁽¹⁾	2	2694
1110,0	92	2,4	1,30	SXHCM381	132MC ⁽¹⁾	4	2711
1008,0	101	2,4	1,43	SXHCM381	132MC ⁽¹⁾	4	2786
895,4	110	2,2	3,25	SXHCM381	132MB ⁽¹⁾	2	2887
786,5	125	3,7	3,70	SXHCM481	132MB ⁽¹⁾	2	3870
781,8	126	1,9	3,72	SXHCM381	132MB ⁽¹⁾	2	2996
750,4	137	3,4	1,29	SXHCM481	160L	6	3916
745,7	137	1,8	1,93	SXHCM381	132MC ⁽¹⁾	4	3024
727,5	135	1,8	4,00	SXHCM381	132MB ⁽¹⁾	2	3055
708,6	144	3,3	2,03	SXHCM481	132MC/160MA/160S	4	3985
689,2	143	3,2	4,22	SXHCM481	132MB ⁽¹⁾	2	4025
687,8	150	3,4	1,41	SXHCM481	160L	6	4019
623,6	158	1,5	4,67	SXHCM381	132MB ⁽¹⁾	2	3181
596,9	165	2,8	4,88	SXHCM481	132MB ⁽¹⁾	2	4200
580,3	176	3,3	2,48	SXHCM481	132MC/160MA/160S	4	4226
566,6	180	1,6	2,54	SXHCM381	132MC ⁽¹⁾	4	3247
558,1	176	3,7	5,21	SXHCM551	132MB ⁽¹⁾	2	5494

⁽¹⁾ Available only with brake motor (TBS)

11,00 kW

n2 [rpm]	M2 [Nm]	fs	i	Gear reducer	Motor		Fr2 [N]
					Size	Pole	
552,5	178	2,6	5,27	SXHCM481	132MB ⁽¹⁾	2	4296
541,4	180	2,1	5,38	SXHCM402	132MB ⁽¹⁾	2	7385
540,0	180	2,9	5,39	SXHCM502	132MB ⁽¹⁾	2	9422
525,4	187	1,3	5,54	SXHCM381	132MB ⁽¹⁾	2	3323
490,3	198	2,1	5,93	SXHCM402	132MB ⁽¹⁾	2	7556
489,4	199	2,6	5,95	SXHCM502	132MB ⁽¹⁾	2	9674
487,4	209	3,9	2,95	SXHCM551	132MC/160S	4	5720
485,0	212	3,9	2,00	SXHCM551	160L	6	5727
478,4	206	1,2	6,08	SXHCM381	132MB ⁽¹⁾	2	3402
477,3	216	2,3	2,03	SXHCM481	160L	6	4469
467,0	211	2,3	6,23	SXHCM481	132MB ⁽¹⁾	2	4510
465,6	211	3,2	6,25	SXHCM551	132MB ⁽¹⁾	2	5808
458,2	222	3,8	3,14	SXHCM551	132MC/160MA/160S	4	5829
443,1	230	1,4	3,25	SXHCM381	132MC ⁽¹⁾	4	3448
440,0	232	2,6	3,27	SXHCM481	132MC/160MA/160S	4	4576
402,4	253	3,4	3,58	SXHCM551	132MC/160MA/160S	4	6000
393,5	247	2,4	7,39	SXHCM502	132MB ⁽¹⁾	2	10242
391,1	263	3,3	2,48	SXHCM551	160L	6	6000
390,9	263	2,3	2,48	SXHCM481	160L	6	4727
389,2	262	2,3	3,70	SXHCM481	132MC/160MA/160S	4	4737
386,9	263	1,2	3,72	SXHCM381	132MC ⁽¹⁾	4	3558
385,7	255	1,9	7,55	SXHCM481	132MB ⁽¹⁾	2	4761
377,9	260	2,9	7,70	SXHCM551	132MB ⁽¹⁾	2	6000
362,8	268	2,2	8,02	SXHCM502	132MB ⁽¹⁾	2	10456
360,0	283	1,1	4,00	SXHCM381	132MC ⁽¹⁾	4	3615
349,7	291	2,9	4,12	SXHCM551	132MC/160MA/160S	4	6000
346,4	284	1,7	8,40	SXHCM481	132MB ⁽¹⁾	2	4906
342,4	284	1,6	8,50	SXHCM402	132MB ⁽¹⁾	2	8152
341,1	299	2,0	4,22	SXHCM481	132MC/160MA/160S	4	4912
328,8	296	2,3	8,85	SXHCM502	132MB ⁽¹⁾	2	10715
328,3	313	2,7	2,95	SXHCM551	160L	6	6000
310,1	314	1,4	9,39	SXHCM402	132MB ⁽¹⁾	2	8306
308,6	330	1,0	4,67	SXHCM381	132MC ⁽¹⁾	4	3735
308,6	333	2,6	3,14	SXHCM551	160L	6	6000
300,0	340	2,6	4,80	SXHCM551	132MC/160MA/160S	4	6000
296,4	347	1,8	3,27	SXHCM481	160L	6	5000
295,4	345	1,8	4,88	SXHCM481	132MC/160MA/160S	4	5000
276,2	369	2,4	5,21	SXHCM551	132MC/160MA/160S	4	6000
273,4	373	1,7	5,27	SXHCM481	132MC/160MA/160S	4	5000
271,0	380	2,4	3,58	SXHCM551	160L	6	6000
267,9	376	1,3	5,38	SXHCM402	132MC ⁽¹⁾	4	8442
267,2	377	1,9	5,39	SXHCM502	132MC/160MA/160S	4	11197

⁽¹⁾ Available only with brake motor (TBS)

11,00 kW

n2 [rpm]	M2 [Nm]	fs	i	Gear reducer	Motor		Fr2 [N]
					Size	Pole	
264,4	368	2,2	11,01	SXHCM502	132MB ⁽¹⁾	2	11285
262,2	393	1,6	3,70	SXHCM481	160L	6	5000
242,6	416	1,3	5,93	SXHCM402	132MC ⁽¹⁾	4	8567
242,2	416	1,7	5,95	SXHCM502	132MC/160MA/160S	4	11445
235,6	437	2,0	4,12	SXHCM551	160L	6	6000
231,1	441	1,5	6,23	SXHCM481	132MC/160MA/160S	4	5000
230,4	442	2,0	6,25	SXHCM551	132MC/160MA/160S	4	6000
229,7	448	1,4	4,22	SXHCM481	160L	6	5000
215,6	451	2,3	13,50	SXHCM502	132MB ⁽¹⁾	2	11808
202,1	509	1,8	4,80	SXHCM551	160L	6	6000
199,0	517	1,3	4,88	SXHCM481	160L	6	5000
195,4	498	2,3	14,90	SXHCM502	132MB ⁽¹⁾	2	12052
194,8	518	1,1	7,39	SXHCM402	132MC ⁽¹⁾	4	8798
194,7	518	1,5	7,39	SXHCM502	132MC/160MA/160S	4	11977
190,8	534	1,2	7,55	SXHCM481	132MC/160MA/160S	4	5000
187,0	545	1,8	7,70	SXHCM551	132MC/160MA/160S	4	6000
186,0	553	1,7	5,21	SXHCM551	160L	6	6000
184,3	553	3,4	5,26	SXHCM602	160L	6	17463
184,2	559	1,2	5,27	SXHCM481	160L	6	5000
180,0	566	1,3	5,39	SXHCM502	160L	6	12135
179,5	562	1,4	8,02	SXHCM502	132MC/160MA/160S	4	12167
175,1	556	2,0	16,62	SXHCM502	132MB ⁽¹⁾	2	12315
171,4	594	1,1	8,40	SXHCM481	132MC/160MA/160S	4	5000
169,4	595	1,0	8,50	SXHCM402	132MC ⁽¹⁾	4	8904
163,1	624	1,2	5,95	SXHCM502	160L	6	12353
162,7	620	1,5	8,85	SXHCM502	132MC/160MA/160S	4	12387
157,1	620	1,8	18,53	SXHCM502	132MB ⁽¹⁾	2	12566
155,7	661	1,0	6,23	SXHCM481	160L	6	5000
155,2	663	1,4	6,25	SXHCM551	160L	6	6000
153,4	657	0,9	9,39	SXHCM402	132MC ⁽¹⁾	4	8953
152,6	667	3,1	6,36	SXHCM602	160L	6	18285
150,1	648	1,9	19,38	SXHCM502	132MB ⁽¹⁾	2	12667
146,6	664	3,6	19,85	SXHCM602	132MB ⁽¹⁾	2	18576
137,6	740	3,3	7,05	SXHCM602	160L	6	18733
136,1	715	1,7	21,39	SXHCM502	132MB ⁽¹⁾	2	12876
135,7	717	3,3	21,44	SXHCM602	132MB ⁽¹⁾	2	18918
131,2	776	1,1	7,39	SXHCM502	160L	6	12792
130,8	771	1,4	11,01	SXHCM502	132MC/160MA/160S	4	12832
129,9	776	3,9	11,09	SXHCM602	132MC/160MA/160S	4	19008
127,6	762	1,6	22,80	SXHCM502	132MB ⁽¹⁾	2	13005
126,0	817	1,3	7,70	SXHCM551	160L	6	6000
121,4	802	3,1	23,97	SXHCM602	132MB ⁽¹⁾	2	19408

⁽¹⁾ Available only with brake motor (TBS)

11,00 kW

n2 [rpm]	M2 [Nm]	fs	i	Gear reducer	Motor		Fr2 [N]
					Size	Pole	
120,9	842	1,0	8,02	SXHCM502	160L	6	12936
117,2	869	3,0	8,27	SXHCM602	160L	6	19414
112,4	866	2,9	25,89	SXHCM602	132MB ⁽¹⁾	2	19744
109,6	929	1,0	8,85	SXHCM502	160L	6	13092
109,4	890	1,3	26,60	SXHCM502	132MB ⁽¹⁾	2	13284
108,1	933	3,3	13,32	SXHCM602	132MC/160MA/160S	4	19788
106,7	945	1,5	13,50	SXHCM502	132MC/160MA/160S	4	13174
104,4	932	1,3	27,88	SXHCM502	132MB ⁽¹⁾	2	13360
101,3	961	2,6	28,73	SXHCM602	132MB ⁽¹⁾	2	20187
97,1	1049	2,8	9,99	SXHCM602	160L	6	20189
96,7	1043	1,4	14,90	SXHCM502	132MC/160MA/160S	4	13304
94,7	1027	2,3	30,72	SXHCM602	132MB ⁽¹⁾	2	20468
93,8	1086	3,9	10,35	SXHCM702	160L	6	30000
93,4	1042	1,2	31,15	SXHCM502	132MB ⁽¹⁾	2	13516
89,5	1127	2,8	16,09	SXHCM602	132MC/160MA/160S	4	20552
88,1	1156	1,0	11,01	SXHCM502	160L	6	13350
87,5	1164	2,7	11,09	SXHCM602	160L	6	20596
86,7	1164	1,3	16,62	SXHCM502	132MC/160MA/160S	4	13417
85,1	1144	2,1	34,20	SXHCM602	132MB ⁽¹⁾	2	20905
84,7	1150	1,0	34,38	SXHCM502	132MB ⁽¹⁾	2	13627
80,7	1250	2,6	17,85	SXHCM602	132MC/160MA/160S	4	20950
77,7	1297	1,2	18,53	SXHCM502	132MC/160MA/160S	4	13490
76,6	1330	3,5	12,66	SXHCM702	160L	6	30000
75,7	1286	1,6	38,45	SXHCM602	132MB ⁽¹⁾	2	21361
74,5	1353	3,7	19,32	SXHCM702	132MC/160MA/160S	4	30000
74,3	1358	1,2	19,38	SXHCM502	132MC/160MA/160S	4	13508
72,8	1399	2,3	13,32	SXHCM602	160L	6	21270
72,6	1390	2,3	19,85	SXHCM602	132MC/160MA/160S	4	21334
71,9	1418	1,0	13,50	SXHCM502	160L	6	13451
70,5	1381	1,8	41,30	SXHCM602	132MB ⁽¹⁾	2	21626
70,0	1456	3,3	13,86	SXHCM702	160L	6	30000
70,0	1441	3,5	20,57	SXHCM702	132MC/160MA/160S	4	30000
67,3	1498	1,1	21,39	SXHCM502	132MC/160MA/160S	4	13517
67,2	1502	2,1	21,44	SXHCM602	132MC/160MA/160S	4	21598
65,1	1564	1,0	14,90	SXHCM502	160L	6	13439
63,9	1577	3,2	22,52	SXHCM702	132MC/160MA/160S	4	30000
63,5	1532	1,6	45,82	SXHCM602	132MB ⁽¹⁾	2	21989
63,2	1597	1,0	22,80	SXHCM502	132MC/160MA/160S	4	13499
60,3	1690	2,0	16,09	SXHCM602	160L	6	21876
60,1	1679	2,0	23,97	SXHCM602	132MC/160MA/160S	4	21949
58,9	1714	2,9	24,47	SXHCM702	132MC/160MA/160S	4	30000
58,4	1745	0,9	16,62	SXHCM502	160L	6	13369

⁽¹⁾ Available only with brake motor (TBS)

11,00 kW

n ₂ [rpm]	M ₂ [Nm]	f _s	i	Gear reducer	Motor		Fr ₂ [N]
					Size	Pole	
57,3	1777	2,8	16,92	SXHCM702	160L	6	30000
56,5	1723	1,4	51,52	SXHCM602	132MB ⁽¹⁾	2	22000
55,6	1813	1,8	25,89	SXHCM602	132MC/160MA/160S	4	22000
54,3	1874	1,8	17,85	SXHCM602	160L	6	22000
52,5	1817	1,4	55,47	SXHCM603	132MB ⁽¹⁾	2	22000
52,4	1925	2,6	27,49	SXHCM702	132MC/160MA/160S	4	30000
50,2	2029	2,6	19,32	SXHCM702	160L	6	30000
50,1	2012	1,6	28,73	SXHCM602	132MC/160MA/160S	4	22000
48,9	2084	1,6	19,85	SXHCM602	160L	6	22000
48,4	2105	4,0	20,04	SXHCM902	160L	6	51787
48,2	2091	2,4	29,86	SXHCM702	132MC/160MA/160S	4	30000
47,2	2160	2,4	20,57	SXHCM702	160L	6	30000
46,9	2151	1,5	30,72	SXHCM602	132MC/160MA/160S	4	22000
45,2	2252	1,5	21,44	SXHCM602	160L	6	22000
44,7	2258	3,5	32,24	SXHCM902	160MA/160S	4	52888
43,6	2311	2,2	33,00	SXHCM702	132MC/160MA/160S	4	30000
43,1	2365	2,2	22,52	SXHCM702	160L	6	30000
42,1	2395	1,3	34,20	SXHCM602	132MC/160MA/160S	4	22000
41,8	2282	1,2	69,69	SXHCM603	132MB ⁽¹⁾	2	22000
40,5	2517	1,4	23,97	SXHCM602	160L	6	22000
40,2	2536	3,3	24,15	SXHCM902	160L	6	54182
39,9	2530	2,0	36,13	SXHCM702	132MC/160MA/160S	4	30000
39,6	2569	2,0	24,47	SXHCM702	160L	6	30000
37,5	2719	1,3	25,89	SXHCM602	160L	6	22000
37,4	2693	1,0	38,45	SXHCM602	132MC ⁽¹⁾	4	22000
37,1	2721	2,9	38,85	SXHCM902	160MA/160S	4	55000
36,5	2614	1,0	79,82	SXHCM603	132MB ⁽¹⁾	2	22000
36,2	2810	3,0	26,76	SXHCM902	160L	6	55000
35,3	2887	1,8	27,49	SXHCM702	160L	6	30000
34,9	2892	1,1	41,30	SXHCM602	132MC/160MA/160S	4	22000
33,8	3017	1,1	28,73	SXHCM602	160L	6	22000
33,4	3015	2,7	43,05	SXHCM902	160MA/160S	4	55000
32,7	3088	1,6	44,10	SXHCM702	132MC/160MA/160S	4	30000
32,5	3136	1,7	29,86	SXHCM702	160L	6	30000
31,6	3226	1,0	30,72	SXHCM602	160L	6	22000
31,5	3139	1,6	45,77	SXHCM703	132MC/160MA/160S	4	30000
31,4	3209	1,0	45,82	SXHCM602	132MC/160MA/160S	4	22000
30,1	3386	2,5	32,24	SXHCM902	160L	6	55000
29,8	3315	2,4	48,35	SXHCM903	160MA/160S	4	55000
29,4	3465	1,5	33,00	SXHCM702	160L	6	30000
28,4	3591	0,9	34,20	SXHCM602	160L	6	22000
28,0	3608	0,9	51,52	SXHCM602	132MC ⁽¹⁾	4	22000

⁽¹⁾ Available only with brake motor (TBS)

11,00 kW

n2 [rpm]	M2 [Nm]	fs	i	Gear reducer	Motor Size	Pole	Fr2 [N]
26,9	3671	2,2	53,53	SXHCM903	132MC/160MA/160S	4	55000
26,8	3794	1,4	36,13	SXHCM702	160L	6	30000
26,0	3804	0,9	55,47	SXHCM603	132MC/160MA/160S	4	22000
25,8	3831	1,3	55,87	SXHCM703	132MC/160MA/160S	4	30000
25,0	4080	2,1	38,85	SXHCM902	160L	6	55000
24,3	4061	2,0	59,22	SXHCM903	132MC/160MA/160S	4	55000
22,9	4320	1,9	62,99	SXHCM903	132MC/160MA/160S	4	55000
22,5	4521	1,9	43,05	SXHCM902	160L	6	55000
22,0	4631	1,1	44,10	SXHCM702	160L	6	30000
21,4	4617	1,1	67,32	SXHCM703	132MC/160MA/160S	4	30000
21,2	4706	1,1	45,77	SXHCM703	160L	6	30000
20,2	4893	1,6	71,35	SXHCM903	132MC/160MA/160S	4	55000
20,1	4971	1,7	48,35	SXHCM903	160L	6	55000
19,5	5055	1,0	73,71	SXHCM703	132MC/160MA/160S	4	30000
18,2	5422	1,5	79,07	SXHCM903	132MC/160MA/160S	4	55000
18,1	5504	1,5	53,53	SXHCM903	160L	6	55000
17,4	5744	0,9	55,87	SXHCM703	160L	6	30000
16,7	5927	1,3	86,43	SXHCM903	132MC/160MA/160S	4	55000
16,4	6089	1,4	59,22	SXHCM903	160L	6	55000
15,4	6477	1,3	62,99	SXHCM903	160L	6	55000
15,0	6597	1,2	96,21	SXHCM903	132MC/160MA/160S	4	55000
13,8	7167	1,1	104,51	SXHCM903	132MC/160MA/160S	4	55000
13,6	7336	1,1	71,35	SXHCM903	160L	6	55000
12,4	7949	1,0	115,92	SXHCM903	132MC/160MA/160S	4	55000
12,3	8130	1,0	79,07	SXHCM903	160L	6	55000
11,2	8887	0,9	86,43	SXHCM903	160L	6	55000
11,2	8809	0,9	128,47	SXHCM903	132MC/160MA/160S	4	55000

15,00 kW

n2 [rpm]	M2 [Nm]	fs	i	Gear reducer	Motor Size	Pole	Fr2 [N]
1141,0	122	3,6	1,29	SXHCM481	160LA	4	3407
1045,9	133	3,6	1,41	SXHCM481	160LA	4	3496
758,1	185	2,5	1,29	SXHCM481	180L ⁽²⁾	6	3836
725,8	191	2,5	2,03	SXHCM481	160LA	4	3886
694,9	202	2,5	1,41	SXHCM481	180L ⁽²⁾	6	3932
691,8	203	3,8	1,42	SXHCM551	180L ⁽²⁾	6	5079
594,8	234	3,5	2,48	SXHCM551	160LA	4	5318
594,4	234	2,5	2,48	SXHCM481	160LA	4	4110
542,5	259	3,0	1,81	SXHCM551	180L ⁽²⁾	6	5464
499,2	278	2,9	2,95	SXHCM551	160LA	4	5604
490,0	286	2,9	2,00	SXHCM551	180L ⁽²⁾	6	5632

⁽²⁾ With TBS brake motor, please contact our Technical Sales Support

15,00 kW

n2 [rpm]	M2 [Nm]	fs	i	Gear reducer	Motor Size	Pole	Fr2 [N]
482,2	291	1,7	2,03	SXHCM481	180L ⁽²⁾	6	4348
469,3	296	2,8	3,14	SXHCM551	160LA	4	5707
450,7	308	2,0	3,27	SXHCM481	160LA	4	4431
412,1	337	2,5	3,58	SXHCM551	160LA	4	5929
398,6	349	1,8	3,70	SXHCM481	160LA	4	4576
395,2	355	2,4	2,48	SXHCM551	180L ⁽²⁾	6	5998
394,9	355	1,7	2,48	SXHCM481	180L ⁽²⁾	6	4582
358,2	388	2,2	4,12	SXHCM551	160LA	4	6000
349,3	398	1,5	4,22	SXHCM481	160LA	4	4733
331,7	423	2,0	2,95	SXHCM551	180L ⁽²⁾	6	6000
311,8	450	2,0	3,14	SXHCM551	180L ⁽²⁾	6	6000
307,3	452	1,9	4,80	SXHCM551	160LA	4	6000
302,6	459	1,4	4,88	SXHCM481	160LA	4	4904
299,4	469	1,4	3,27	SXHCM481	180L ⁽²⁾	6	4910
282,9	491	1,8	5,21	SXHCM551	160LA	4	6000
280,3	491	3,7	5,26	SXHCM602	160LA	4	15172
280,1	496	1,2	5,27	SXHCM481	160LA	4	4996
273,8	513	1,7	3,58	SXHCM551	180L ⁽²⁾	6	6000
273,7	502	1,4	5,39	SXHCM502	160LA	4	10523
264,9	530	1,2	3,70	SXHCM481	180L ⁽²⁾	6	5000
248,1	554	1,3	5,95	SXHCM502	160LA	4	10709
238,0	590	1,5	4,12	SXHCM551	180L ⁽²⁾	6	6000
236,7	587	1,1	6,23	SXHCM481	160LA	4	5000
236,0	589	1,5	6,25	SXHCM551	160LA	4	6000
232,1	605	1,1	4,22	SXHCM481	180L ⁽²⁾	6	5000
232,1	593	3,4	6,36	SXHCM602	160LA	4	15880
209,2	657	3,5	7,05	SXHCM602	160LA	4	16266
204,2	687	1,3	4,80	SXHCM551	180L ⁽²⁾	6	6000
201,0	698	0,9	4,88	SXHCM481	180L ⁽²⁾	6	5000
199,5	689	1,2	7,39	SXHCM502	160LA	4	11079
195,5	711	0,9	7,55	SXHCM481	160LA	4	5000
191,6	725	1,4	7,70	SXHCM551	160LA	4	6000
187,9	747	1,2	5,21	SXHCM551	180L ⁽²⁾	6	6000
186,2	746	2,5	5,26	SXHCM602	180L ⁽²⁾	6	16664
183,9	748	1,1	8,02	SXHCM502	160LA	4	11199
178,3	771	3,2	8,27	SXHCM602	160LA	4	16850
166,7	825	1,1	8,85	SXHCM502	160LA	4	11328
156,8	895	1,1	6,25	SXHCM551	180L ⁽²⁾	6	6000
154,2	901	2,3	6,36	SXHCM602	180L ⁽²⁾	6	17329
147,6	932	3,0	9,99	SXHCM602	160LA	4	17513
139,0	999	2,4	7,05	SXHCM602	180L ⁽²⁾	6	17679
139,0	999	3,8	7,05	SXHCM702	180L ⁽²⁾	6	27584

⁽²⁾ With TBS brake motor, please contact our Technical Sales Support

15,00 kW

n2 [rpm]	M2 [Nm]	fs	i	Gear reducer	Motor		Fr2 [N]
					Size	Pole	
134,0	1026	1,1	11,01	SXHCM502	160LA	4	11535
133,1	1034	2,9	11,09	SXHCM602	160LA	4	17860
127,3	1103	1,0	7,70	SXHCM551	180L ⁽²⁾	6	6000
126,6	1097	3,5	7,74	SXHCM702	180L ⁽²⁾	6	28236
118,4	1173	2,2	8,27	SXHCM602	180L ⁽²⁾	6	18185
116,5	1181	3,7	12,66	SXHCM702	160LA	4	28851
115,6	1201	3,3	8,48	SXHCM702	180L ⁽²⁾	6	28865
110,7	1242	2,5	13,32	SXHCM602	160LA	4	18432
109,3	1259	1,1	13,50	SXHCM502	160LA	4	11603
106,4	1293	3,6	13,86	SXHCM702	160LA	4	29482
99,0	1389	1,1	14,90	SXHCM502	160LA	4	11581
98,1	1416	2,1	9,99	SXHCM602	180L ⁽²⁾	6	18716
94,7	1466	2,9	10,35	SXHCM702	180L ⁽²⁾	6	30000
91,7	1500	2,1	16,09	SXHCM602	160LA	4	18941
88,8	1549	1,0	16,62	SXHCM502	160LA	4	11506
88,4	1571	2,0	11,09	SXHCM602	180L ⁽²⁾	6	18968
87,2	1578	3,0	16,92	SXHCM702	160LA	4	30000
82,6	1664	1,9	17,85	SXHCM602	160LA	4	19177
77,4	1795	2,6	12,66	SXHCM702	180L ⁽²⁾	6	30000
76,3	1801	2,8	19,32	SXHCM702	160LA	4	30000
74,3	1851	1,7	19,85	SXHCM602	160LA	4	19379
73,5	1889	1,7	13,32	SXHCM602	180L ⁽²⁾	6	19325
71,7	1918	2,6	20,57	SXHCM702	160LA	4	30000
70,7	1965	2,5	13,86	SXHCM702	180L ⁽²⁾	6	30000
68,8	1999	1,6	21,44	SXHCM602	160LA	4	19497
65,5	2100	2,4	22,52	SXHCM702	160LA	4	30000
62,2	2232	3,7	15,75	SXHCM902	180L ⁽²⁾	6	46783
61,5	2235	1,5	23,97	SXHCM602	160LA	4	19617
61,1	2252	3,6	24,15	SXHCM902	160LA	4	47054
60,9	2281	1,5	16,09	SXHCM602	180L ⁽²⁾	6	19540
60,3	2281	2,2	24,47	SXHCM702	160LA	4	30000
57,9	2398	2,1	16,92	SXHCM702	180L ⁽²⁾	6	30000
57,0	2414	1,4	25,89	SXHCM602	160LA	4	19662
56,1	2474	3,4	17,45	SXHCM902	180L ⁽²⁾	6	47904
55,1	2495	3,2	26,76	SXHCM902	160LA	4	48180
54,9	2530	1,3	17,85	SXHCM602	180L ⁽²⁾	6	19576
53,7	2563	2,0	27,49	SXHCM702	160LA	4	30000
51,3	2678	1,2	28,73	SXHCM602	160LA	4	19665
50,7	2738	1,9	19,32	SXHCM702	180L ⁽²⁾	6	30000
49,4	2813	1,2	19,85	SXHCM602	180L ⁽²⁾	6	19542
49,4	2784	1,8	29,86	SXHCM702	160LA	4	30000
48,9	2841	3,0	20,04	SXHCM902	180L ⁽²⁾	6	49389

⁽²⁾ With TBS brake motor, please contact our Technical Sales Support

15,00 kW

n2 [rpm]	M2 [Nm]	fs	i	Gear reducer	Motor Size	Pole	Fr2 [N]
48,0	2864	1,1	30,72	SXHCM602	160LA	4	19628
47,6	2916	1,8	20,57	SXHCM702	180L ⁽²⁾	6	30000
45,7	3039	1,1	21,44	SXHCM602	180L ⁽²⁾	6	19466
45,7	3006	2,7	32,24	SXHCM902	160LA	4	50180
44,7	3077	1,6	33,00	SXHCM702	160LA	4	30000
43,5	3192	1,6	22,52	SXHCM702	180L ⁽²⁾	6	30000
43,1	3189	1,0	34,20	SXHCM602	160LA	4	19497
40,9	3397	1,0	23,97	SXHCM602	180L ⁽²⁾	6	19268
40,8	3369	1,5	36,13	SXHCM702	160LA	4	30000
40,6	3423	2,5	24,15	SXHCM902	180L ⁽²⁾	6	51320
40,1	3468	1,5	24,47	SXHCM702	180L ⁽²⁾	6	30000
38,0	3622	2,2	38,85	SXHCM902	160LA	4	52091
37,8	3670	0,9	25,89	SXHCM602	180L ⁽²⁾	6	19064
36,6	3793	2,2	26,76	SXHCM902	180L ⁽²⁾	6	52335
35,6	3896	1,3	27,49	SXHCM702	180L ⁽²⁾	6	30000
34,3	4014	2,0	43,05	SXHCM902	160LA	4	53089
33,4	4112	1,2	44,10	SXHCM702	160LA	4	30000
32,8	4233	1,2	29,86	SXHCM702	180L ⁽²⁾	6	30000
32,2	4179	1,2	45,77	SXHCM703	160LA	4	30000
30,5	4414	1,8	48,35	SXHCM903	160LA	4	54432
30,4	4570	1,8	32,24	SXHCM902	180L ⁽²⁾	6	54049
29,7	4677	1,1	33,00	SXHCM702	180L ⁽²⁾	6	30000
27,6	4887	1,6	53,53	SXHCM903	160LA	4	55000
27,1	5121	1,0	36,13	SXHCM702	180L ⁽²⁾	6	30000
26,4	5100	1,0	55,87	SXHCM703	160LA	4	30000
25,2	5506	1,5	38,85	SXHCM902	180L ⁽²⁾	6	55000
24,9	5406	1,5	59,22	SXHCM903	160LA	4	55000
23,4	5751	1,4	62,99	SXHCM903	160LA	4	55000
22,8	6102	1,4	43,05	SXHCM902	180L ⁽²⁾	6	55000
20,7	6514	1,2	71,35	SXHCM903	160LA	4	55000
20,3	6709	1,3	48,35	SXHCM903	180L ⁽²⁾	6	55000
18,7	7219	1,1	79,07	SXHCM903	160LA	4	55000
18,3	7428	1,1	53,53	SXHCM903	180L ⁽²⁾	6	55000
17,1	7890	1,0	86,43	SXHCM903	160LA	4	55000
16,5	8218	1,0	59,22	SXHCM903	180L ⁽²⁾	6	55000
15,6	8742	1,0	62,99	SXHCM903	180L ⁽²⁾	6	55000
15,3	8783	0,9	96,21	SXHCM903	160LA	4	55000

18,50 kW

n2 [rpm]	M2 [Nm]	fs	i	Gear reducer	Motor Size	Pole	Fr2 [N]
1137,2	151	2,9	1,29	SXHCM481	180M ⁽²⁾	4	3371

⁽²⁾ With TBS brake motor, please contact our Technical Sales Support

18,50 kW

n2 [rpm]	M2 [Nm]	fs	i	Gear reducer	Motor		Fr2 [N]
					Size	Pole	
1042,4	164	2,9	1,41	SXHCM481	180M ⁽²⁾	4	3456
813,8	211	3,5	1,81	SXHCM551	180M ⁽²⁾	4	4796
796,3	217	3,3	1,23	SXHCM551	200LA ⁽²⁾	6	4825
735,0	233	3,3	2,00	SXHCM551	180M ⁽²⁾	4	4944
723,3	237	2,0	2,03	SXHCM481	180M ⁽²⁾	4	3828
691,8	250	3,1	1,42	SXHCM551	200LA ⁽²⁾	6	5031
592,7	289	2,8	2,48	SXHCM551	180M ⁽²⁾	4	5269
592,4	289	2,0	2,48	SXHCM481	180M ⁽²⁾	4	4038
542,5	319	2,4	1,81	SXHCM551	200LA ⁽²⁾	6	5403
497,5	344	2,4	2,95	SXHCM551	180M ⁽²⁾	4	5544
490,0	353	2,3	2,00	SXHCM551	200LA ⁽²⁾	6	5565
467,7	366	2,3	3,14	SXHCM551	180M ⁽²⁾	4	5643
449,2	382	1,6	3,27	SXHCM481	180M ⁽²⁾	4	4335
410,7	417	2,0	3,58	SXHCM551	180M ⁽²⁾	4	5855
397,3	431	1,4	3,70	SXHCM481	180M ⁽²⁾	4	4467
395,2	438	2,0	2,48	SXHCM551	200LA ⁽²⁾	6	5915
357,0	480	1,8	4,12	SXHCM551	180M ⁽²⁾	4	6000
348,2	492	1,2	4,22	SXHCM481	180M ⁽²⁾	4	4608
331,7	522	1,6	2,95	SXHCM551	200LA ⁽²⁾	6	6000
311,8	555	1,6	3,14	SXHCM551	200LA ⁽²⁾	6	6000
306,3	560	1,6	4,80	SXHCM551	180M ⁽²⁾	4	6000
301,5	568	1,1	4,88	SXHCM481	180M ⁽²⁾	4	4759
281,9	608	1,4	5,21	SXHCM551	180M ⁽²⁾	4	6000
279,3	607	3,0	5,26	SXHCM602	180M ⁽²⁾	4	14749
279,1	614	1,0	5,27	SXHCM481	180M ⁽²⁾	4	4839
273,8	632	1,4	3,58	SXHCM551	200LA ⁽²⁾	6	6000
238,0	727	1,2	4,12	SXHCM551	200LA ⁽²⁾	6	6000
235,2	729	1,2	6,25	SXHCM551	180M ⁽²⁾	4	6000
231,3	733	2,7	6,36	SXHCM602	180M ⁽²⁾	4	15366
208,5	814	2,8	7,05	SXHCM602	180M ⁽²⁾	4	15695
204,2	848	1,1	4,80	SXHCM551	200LA ⁽²⁾	6	6000
190,9	898	1,1	7,70	SXHCM551	180M ⁽²⁾	4	6000
185,8	922	3,4	5,27	SXHCM702	200LA ⁽²⁾	6	25022
177,7	955	2,6	8,27	SXHCM602	180M ⁽²⁾	4	16178
173,4	978	3,9	8,48	SXHCM702	180M ⁽²⁾	4	25485
169,7	1009	3,3	5,78	SXHCM702	200LA ⁽²⁾	6	25590
147,1	1153	2,4	9,99	SXHCM602	180M ⁽²⁾	4	16698
142,1	1194	3,4	10,35	SXHCM702	180M ⁽²⁾	4	26737
139,0	1232	3,1	7,05	SXHCM702	200LA ⁽²⁾	6	26833
132,6	1279	2,3	11,09	SXHCM602	180M ⁽²⁾	4	16954
126,6	1353	2,9	7,74	SXHCM702	200LA ⁽²⁾	6	27411
116,1	1461	3,0	12,66	SXHCM702	180M ⁽²⁾	4	27985

⁽²⁾ With TBS brake motor, please contact our Technical Sales Support

18,50 kW

n2 [rpm]	M2 [Nm]	fs	i	Gear reducer	Motor		Fr2 [N]
					Size	Pole	
115,6	1482	2,7	8,48	SXHCM702	200LA ⁽²⁾	6	27962
110,3	1537	2,0	13,32	SXHCM602	180M ⁽²⁾	4	17339
106,0	1600	2,9	13,86	SXHCM702	180M ⁽²⁾	4	28531
94,7	1808	2,3	10,35	SXHCM702	200LA ⁽²⁾	6	29135
91,4	1857	1,7	16,09	SXHCM602	180M ⁽²⁾	4	17617
86,9	1952	2,5	16,92	SXHCM702	180M ⁽²⁾	4	29684
84,2	2014	3,9	17,45	SXHCM902	180M ⁽²⁾	4	42354
82,3	2060	1,6	17,85	SXHCM602	180M ⁽²⁾	4	17707
77,4	2213	2,1	12,66	SXHCM702	200LA ⁽²⁾	6	30000
76,1	2229	2,2	19,32	SXHCM702	180M ⁽²⁾	4	30000
75,0	2285	3,4	13,07	SXHCM902	200LA ⁽²⁾	6	43436
74,1	2290	1,4	19,85	SXHCM602	180M ⁽²⁾	4	17742
73,3	2313	3,5	20,04	SXHCM902	180M ⁽²⁾	4	43719
71,5	2374	2,1	20,57	SXHCM702	180M ⁽²⁾	4	30000
70,7	2423	2,0	13,86	SXHCM702	200LA ⁽²⁾	6	30000
68,6	2474	1,3	21,44	SXHCM602	180M ⁽²⁾	4	17727
65,3	2599	1,9	22,52	SXHCM702	180M ⁽²⁾	4	30000
62,2	2753	3,0	15,75	SXHCM902	200LA ⁽²⁾	6	45225
61,3	2766	1,2	23,97	SXHCM602	180M ⁽²⁾	4	17637
60,9	2786	2,9	24,15	SXHCM902	180M ⁽²⁾	4	45514
60,1	2823	1,8	24,47	SXHCM702	180M ⁽²⁾	4	30000
57,9	2958	1,7	16,92	SXHCM702	200LA ⁽²⁾	6	30000
56,8	2988	1,1	25,89	SXHCM602	180M ⁽²⁾	4	17521
56,1	3051	2,7	17,45	SXHCM902	200LA ⁽²⁾	6	46178
54,9	3088	2,6	26,76	SXHCM902	180M ⁽²⁾	4	46470
53,5	3172	1,6	27,49	SXHCM702	180M ⁽²⁾	4	30000
51,2	3315	1,0	28,73	SXHCM602	180M ⁽²⁾	4	17287
50,7	3377	1,6	19,32	SXHCM702	200LA ⁽²⁾	6	30000
49,2	3446	1,5	29,86	SXHCM702	180M ⁽²⁾	4	30000
48,9	3503	2,4	20,04	SXHCM902	200LA ⁽²⁾	6	47406
47,6	3596	1,5	20,57	SXHCM702	200LA ⁽²⁾	6	30000
45,6	3720	2,2	32,24	SXHCM902	180M ⁽²⁾	4	48110
44,5	3808	1,3	33,00	SXHCM702	180M ⁽²⁾	4	30000
43,5	3937	1,3	22,52	SXHCM702	200LA ⁽²⁾	6	30000
40,7	4169	1,2	36,13	SXHCM702	180M ⁽²⁾	4	30000
40,6	4221	2,0	24,15	SXHCM902	200LA ⁽²⁾	6	48931
37,8	4482	1,8	38,85	SXHCM902	180M ⁽²⁾	4	49588
36,6	4678	1,8	26,76	SXHCM902	200LA ⁽²⁾	6	49688
35,6	4805	1,1	27,49	SXHCM702	200LA ⁽²⁾	6	30000
34,1	4968	1,6	43,05	SXHCM902	180M ⁽²⁾	4	50309
33,3	5088	1,0	44,10	SXHCM702	180M ⁽²⁾	4	30000
32,1	5171	1,0	45,77	SXHCM703	180M ⁽²⁾	4	30000

⁽²⁾ With TBS brake motor, please contact our Technical Sales Support

18,50 kW

n2 [rpm]	M2 [Nm]	fs	i	Gear reducer	Motor		Fr2 [N]
					Size	Pole	
30,4	5636	1,5	32,24	SXHCM902	200LA ⁽²⁾	6	50859
30,4	5462	1,5	48,35	SXHCM903	180M ⁽²⁾	4	51372
27,5	6047	1,3	53,53	SXHCM903	180M ⁽²⁾	4	51934
25,2	6791	1,2	38,85	SXHCM902	200LA ⁽²⁾	6	51701
24,8	6690	1,2	59,22	SXHCM903	180M ⁽²⁾	4	52385
23,3	7117	1,1	62,99	SXHCM903	180M ⁽²⁾	4	52600
22,8	7526	1,1	43,05	SXHCM902	200LA ⁽²⁾	6	51986
20,6	8061	1,0	71,35	SXHCM903	180M ⁽²⁾	4	52877
18,3	9162	0,9	53,53	SXHCM903	200LA ⁽²⁾	6	52642

22,00 kW

n2 [rpm]	M2 [Nm]	fs	i	Gear reducer	Motor		Fr2 [N]
					Size	Pole	
1194,4	171	4,0	1,23	SXHCM551	180L ⁽²⁾	4	4240
1137,2	179	2,5	1,29	SXHCM481	180L ⁽²⁾	4	3331
1042,4	196	2,5	1,41	SXHCM481	180L ⁽²⁾	4	3413
1037,6	196	3,8	1,42	SXHCM551	180L ⁽²⁾	4	4424
813,8	250	3,0	1,81	SXHCM551	180L ⁽²⁾	4	4756
796,3	259	2,8	1,23	SXHCM551	200LB ⁽²⁾	6	4783
735,0	277	2,8	2,00	SXHCM551	180L ⁽²⁾	4	4900
723,3	282	1,7	2,03	SXHCM481	180L ⁽²⁾	4	3766
691,8	298	2,6	1,42	SXHCM551	200LB ⁽²⁾	6	4984
592,7	344	2,4	2,48	SXHCM551	180L ⁽²⁾	4	5214
592,4	344	1,7	2,48	SXHCM481	180L ⁽²⁾	4	3962
542,5	379	2,0	1,81	SXHCM551	200LB ⁽²⁾	6	5343
497,5	410	2,0	2,95	SXHCM551	180L ⁽²⁾	4	5478
490,0	420	1,9	2,00	SXHCM551	200LB ⁽²⁾	6	5497
467,7	436	1,9	3,14	SXHCM551	180L ⁽²⁾	4	5573
449,2	454	1,3	3,27	SXHCM481	180L ⁽²⁾	4	4235
410,7	496	1,7	3,58	SXHCM551	180L ⁽²⁾	4	5776
397,3	513	1,2	3,70	SXHCM481	180L ⁽²⁾	4	4354
395,2	521	1,7	2,48	SXHCM551	200LB ⁽²⁾	6	5831
357,0	571	1,5	4,12	SXHCM551	180L ⁽²⁾	4	5998
348,2	585	1,0	4,22	SXHCM481	180L ⁽²⁾	4	4479
331,7	621	1,4	2,95	SXHCM551	200LB ⁽²⁾	6	6000
311,8	660	1,3	3,14	SXHCM551	200LB ⁽²⁾	6	6000
306,3	665	1,3	4,80	SXHCM551	180L ⁽²⁾	4	6000
301,5	676	0,9	4,88	SXHCM481	180L ⁽²⁾	4	4610
281,9	723	1,2	5,21	SXHCM551	180L ⁽²⁾	4	6000
279,3	722	2,5	5,26	SXHCM602	180L ⁽²⁾	4	14314
273,8	752	1,2	3,58	SXHCM551	200LB ⁽²⁾	6	6000
238,0	865	1,0	4,12	SXHCM551	200LB ⁽²⁾	6	6000

⁽²⁾ With TBS brake motor, please contact our Technical Sales Support

22,00 kW

n2 [rpm]	M2 [Nm]	fs	i	Gear reducer	Motor		Fr2 [N]
					Size	Pole	
235,2	866	1,0	6,25	SXHCM551	180L ⁽²⁾	4	6000
231,3	872	2,3	6,36	SXHCM602	180L ⁽²⁾	4	14840
208,5	967	2,4	7,05	SXHCM602	180L ⁽²⁾	4	15111
208,5	967	3,7	7,05	SXHCM702	180L ⁽²⁾	4	23829
204,2	1008	0,9	4,80	SXHCM551	200LB ⁽²⁾	6	6000
190,9	1068	0,9	7,70	SXHCM551	180L ⁽²⁾	4	6000
189,9	1062	3,5	7,74	SXHCM702	180L ⁽²⁾	4	24370
185,8	1096	2,9	5,27	SXHCM702	200LB ⁽²⁾	6	24460
177,7	1135	2,2	8,27	SXHCM602	180L ⁽²⁾	4	15493
173,4	1163	3,3	8,48	SXHCM702	180L ⁽²⁾	4	24889
169,7	1200	2,8	5,78	SXHCM702	200LB ⁽²⁾	6	24975
154,2	1321	3,9	6,36	SXHCM902	200LB ⁽²⁾	6	35673
147,1	1371	2,0	9,99	SXHCM602	180L ⁽²⁾	4	15871
142,1	1420	2,8	10,35	SXHCM702	180L ⁽²⁾	4	26010
139,1	1464	3,6	7,04	SXHCM902	200LB ⁽²⁾	6	36612
139,0	1465	2,6	7,05	SXHCM702	200LB ⁽²⁾	6	26082
132,6	1521	2,0	11,09	SXHCM602	180L ⁽²⁾	4	16037
126,6	1609	2,4	7,74	SXHCM702	200LB ⁽²⁾	6	26587
125,0	1630	3,4	7,84	SXHCM902	200LB ⁽²⁾	6	37596
116,1	1737	2,5	12,66	SXHCM702	180L ⁽²⁾	4	27094
115,6	1762	2,3	8,48	SXHCM702	200LB ⁽²⁾	6	27059
110,3	1828	1,7	13,32	SXHCM602	180L ⁽²⁾	4	16237
106,0	1902	2,4	13,86	SXHCM702	180L ⁽²⁾	4	27556
103,7	1964	3,5	9,45	SXHCM902	200LB ⁽²⁾	6	39291
94,7	2151	2,0	10,35	SXHCM702	200LB ⁽²⁾	6	28033
93,6	2177	3,5	10,47	SXHCM902	200LB ⁽²⁾	6	40213
93,3	2161	3,6	15,75	SXHCM902	180L ⁽²⁾	4	40301
91,4	2208	1,4	16,09	SXHCM602	180L ⁽²⁾	4	16286
86,9	2322	2,1	16,92	SXHCM702	180L ⁽²⁾	4	28494
84,2	2395	3,3	17,45	SXHCM902	180L ⁽²⁾	4	41214
82,3	2449	1,3	17,85	SXHCM602	180L ⁽²⁾	4	16229
77,4	2632	1,8	12,66	SXHCM702	200LB ⁽²⁾	6	28893
76,1	2651	1,9	19,32	SXHCM702	180L ⁽²⁾	4	29043
75,0	2717	2,8	13,07	SXHCM902	200LB ⁽²⁾	6	42143
74,1	2723	1,2	19,85	SXHCM602	180L ⁽²⁾	4	16099
73,3	2750	2,9	20,04	SXHCM902	180L ⁽²⁾	4	42410
71,5	2823	1,8	20,57	SXHCM702	180L ⁽²⁾	4	29276
70,7	2882	1,7	13,86	SXHCM702	200LB ⁽²⁾	6	29223
68,6	2942	1,1	21,44	SXHCM602	180L ⁽²⁾	4	15952
65,3	3090	1,6	22,52	SXHCM702	180L ⁽²⁾	4	29579
62,2	3274	2,5	15,75	SXHCM902	200LB ⁽²⁾	6	43667
61,3	3289	1,0	23,97	SXHCM602	180L ⁽²⁾	4	15653

⁽²⁾ With TBS brake motor, please contact our Technical Sales Support

22,00 kW

n2 [rpm]	M2 [Nm]	fs	i	Gear reducer	Motor Size	Pole	Fr2 [N]
60,9	3314	2,4	24,15	SXHCM902	180L ⁽²⁾	4	43937
60,1	3357	1,5	24,47	SXHCM702	180L ⁽²⁾	4	29815
57,9	3517	1,4	16,92	SXHCM702	200LB ⁽²⁾	6	29793
56,8	3553	0,9	25,89	SXHCM602	180L ⁽²⁾	4	15378
56,1	3628	2,3	17,45	SXHCM902	200LB ⁽²⁾	6	44451
54,9	3672	2,2	26,76	SXHCM902	180L ⁽²⁾	4	44722
53,5	3772	1,3	27,49	SXHCM702	180L ⁽²⁾	4	30000
50,7	4016	1,3	19,32	SXHCM702	200LB ⁽²⁾	6	30000
49,2	4098	1,2	29,86	SXHCM702	180L ⁽²⁾	4	30000
48,9	4166	2,0	20,04	SXHCM902	200LB ⁽²⁾	6	45423
47,6	4276	1,2	20,57	SXHCM702	200LB ⁽²⁾	6	30000
45,6	4424	1,8	32,24	SXHCM902	180L ⁽²⁾	4	46004
44,5	4528	1,1	33,00	SXHCM702	180L ⁽²⁾	4	30000
43,5	4682	1,1	22,52	SXHCM702	200LB ⁽²⁾	6	30000
40,7	4957	1,0	36,13	SXHCM702	180L ⁽²⁾	4	30000
40,6	5020	1,7	24,15	SXHCM902	200LB ⁽²⁾	6	46542
37,8	5331	1,5	38,85	SXHCM902	180L ⁽²⁾	4	47051
36,6	5563	1,5	26,76	SXHCM902	200LB ⁽²⁾	6	47040
35,6	5715	0,9	27,49	SXHCM702	200LB ⁽²⁾	6	29859
34,1	5907	1,4	43,05	SXHCM902	180L ⁽²⁾	4	47498
30,4	6702	1,3	32,24	SXHCM902	200LB ⁽²⁾	6	47669
30,4	6495	1,2	48,35	SXHCM903	180L ⁽²⁾	4	48280
27,5	7191	1,1	53,53	SXHCM903	180L ⁽²⁾	4	48511
25,2	8076	1,0	38,85	SXHCM902	200LB ⁽²⁾	6	47857
24,8	7956	1,0	59,22	SXHCM903	180L ⁽²⁾	4	48598
23,3	8463	0,9	62,99	SXHCM903	180L ⁽²⁾	4	48572
22,8	8950	0,9	43,05	SXHCM902	200LB ⁽²⁾	6	47726

30,00 kW

n2 [rpm]	M2 [Nm]	fs	i	Gear reducer	Motor Size	Pole	Fr2 [N]
1198,4	232	2,9	1,23	SXHCM551	200L ⁽²⁾	4	4174
1041,2	267	2,8	1,42	SXHCM551	200L ⁽²⁾	4	4348
816,5	340	2,2	1,81	SXHCM551	200L ⁽²⁾	4	4659
737,5	377	2,1	2,00	SXHCM551	200L ⁽²⁾	4	4794
594,8	467	1,8	2,48	SXHCM551	200L ⁽²⁾	4	5083
499,2	557	1,5	2,95	SXHCM551	200L ⁽²⁾	4	5324
469,3	592	1,4	3,14	SXHCM551	200L ⁽²⁾	4	5409
412,1	674	1,3	3,58	SXHCM551	200L ⁽²⁾	4	5589
358,2	776	1,1	4,12	SXHCM551	200L ⁽²⁾	4	5784
307,3	904	1,0	4,80	SXHCM551	200L ⁽²⁾	4	5995
279,6	984	3,1	5,27	SXHCM702	200L ⁽²⁾	4	21290

⁽²⁾ With TBS brake motor, please contact our Technical Sales Support

30,00 kW

n2 [rpm]	M2 [Nm]	fs	i	Gear reducer	Motor		Fr2 [N]
					Size	Pole	
255,4	1077	3,0	5,78	SXHCM702	200L ⁽²⁾	4	21732
209,4	1313	3,8	7,04	SXHCM902	200L ⁽²⁾	4	31889
209,3	1314	2,7	7,05	SXHCM702	200L ⁽²⁾	4	22681
190,5	1444	2,6	7,74	SXHCM702	200L ⁽²⁾	4	23110
188,1	1462	3,6	7,84	SXHCM902	200L ⁽²⁾	4	32737
174,0	1581	2,4	8,48	SXHCM702	200L ⁽²⁾	4	23512
156,1	1762	3,7	9,45	SXHCM902	200L ⁽²⁾	4	34195
142,6	1929	2,1	10,35	SXHCM702	200L ⁽²⁾	4	24334
140,8	1953	3,7	10,47	SXHCM902	200L ⁽²⁾	4	34986
116,5	2361	1,9	12,66	SXHCM702	200L ⁽²⁾	4	25049
112,8	2437	3,0	13,07	SXHCM902	200L ⁽²⁾	4	36635
106,4	2585	1,8	13,86	SXHCM702	200L ⁽²⁾	4	25319
93,7	2937	2,7	15,75	SXHCM902	200L ⁽²⁾	4	37927
87,2	3155	1,5	16,92	SXHCM702	200L ⁽²⁾	4	25769
84,5	3255	2,4	17,45	SXHCM902	200L ⁽²⁾	4	38588
76,3	3603	1,4	19,32	SXHCM702	200L ⁽²⁾	4	25936
73,6	3737	2,1	20,04	SXHCM902	200L ⁽²⁾	4	39400
71,7	3836	1,3	20,57	SXHCM702	200L ⁽²⁾	4	25970
65,5	4200	1,2	22,52	SXHCM702	200L ⁽²⁾	4	25961
61,1	4503	1,8	24,15	SXHCM902	200L ⁽²⁾	4	40318
55,1	4991	1,6	26,76	SXHCM902	200L ⁽²⁾	4	40715
53,7	5126	1,0	27,49	SXHCM702	200L ⁽²⁾	4	25662
45,7	6012	1,3	32,24	SXHCM902	200L ⁽²⁾	4	41186
38,0	7244	1,1	38,85	SXHCM902	200L ⁽²⁾	4	41255
34,3	8028	1,0	43,05	SXHCM902	200L ⁽²⁾	4	41080
30,5	8827	0,9	48,35	SXHCM903	200L ⁽²⁾	4	41228

37,00 kW

n2 [rpm]	M2 [Nm]	fs	i	Gear reducer	Motor		Fr2 [N]
					Size	Pole	
281,5	1205	3,8	5,27	SXHCM902	225S ⁽²⁾	4	28881
233,7	1452	3,4	6,36	SXHCM902	225S ⁽²⁾	4	30204
210,8	1609	3,1	7,04	SXHCM902	225S ⁽²⁾	4	30925
189,3	1792	3,0	7,84	SXHCM902	225S ⁽²⁾	4	31670
157,1	2159	3,0	9,45	SXHCM902	225S ⁽²⁾	4	32921
141,8	2392	3,0	10,47	SXHCM902	225S ⁽²⁾	4	33580
113,6	2986	2,4	13,07	SXHCM902	225S ⁽²⁾	4	34896
94,3	3598	2,2	15,75	SXHCM902	225S ⁽²⁾	4	35846
85,1	3987	2,0	17,45	SXHCM902	225S ⁽²⁾	4	36289
74,1	4578	1,7	20,04	SXHCM902	225S ⁽²⁾	4	36771
61,5	5517	1,5	24,15	SXHCM902	225S ⁽²⁾	4	37167
55,5	6114	1,3	26,76	SXHCM902	225S ⁽²⁾	4	37232

⁽²⁾ With TBS brake motor, please contact our Technical Sales Support

5.1 SXHC/SXAC GEARED MOTORS (50Hz)

37,00 kW

n2 [rpm]	M2 [Nm]	fs	i	Gear reducer	Motor Size	Pole	Fr2 [N]
46,1	7365	1,1	32,24	SXHCM902	225S ⁽²⁾	4	37007
38,2	8874	0,9	38,85	SXHCM902	225S ⁽²⁾	4	36237

45,00 kW

n2 [rpm]	M2 [Nm]	fs	i	Gear reducer	Motor Size	Pole	Fr2 [N]
281,5	1465	3,1	5,27	SXHCM902	225M ⁽²⁾	4	28102
233,7	1766	2,8	6,36	SXHCM902	225M ⁽²⁾	4	29265
210,8	1957	2,6	7,04	SXHCM902	225M ⁽²⁾	4	29884
189,3	2179	2,4	7,84	SXHCM902	225M ⁽²⁾	4	30511
157,1	2625	2,5	9,45	SXHCM902	225M ⁽²⁾	4	31525
141,8	2910	2,5	10,47	SXHCM902	225M ⁽²⁾	4	32033
113,6	3631	2,0	13,07	SXHCM902	225M ⁽²⁾	4	32964
94,3	4376	1,8	15,75	SXHCM902	225M ⁽²⁾	4	33519
85,1	4849	1,6	17,45	SXHCM902	225M ⁽²⁾	4	33710
74,1	5568	1,4	20,04	SXHCM902	225M ⁽²⁾	4	33810
61,5	6709	1,2	24,15	SXHCM902	225M ⁽²⁾	4	33598
55,5	7435	1,1	26,76	SXHCM902	225M ⁽²⁾	4	33277

⁽²⁾ With TBS brake motor, please contact our Technical Sales Support

SXA191

Mn₂ [Nm]	i	Pn₁ [kW]	n₂ [rpm]	Fr1 [N]	Fr2 [N]
24	1,45	3,07	1208,3	330	475
24	2,94	1,51	594,3	330	602
28	4,75	1,12	368,4	330	706
28	5,45	0,98	320,8	330	739
24	7,88	0,56	222,2	330	835
19	10,83	0,33	161,5	330	929

SXA202

Mn₂ [Nm]	i	Pn₁ [kW]	n₂ [rpm]	Fr1 [N]	Fr2 [N]
75	5,38	2,67	325,3	330	1018
75	6,52	2,20	268,5	409	1085
71	8,11	1,66	215,8	373	1167
85	10,94	1,48	160,0	441	1289
75	13,25	1,08	132,1	363	1374
75	16,49	0,87	106,1	398	1478
85	20,26	0,80	86,4	453	1583
80	24,55	0,62	71,3	386	1688
75	30,55	0,47	57,3	374	1816
85	35,44	0,46	49,4	480	1908
85	44,10	0,37	39,7	398	2000
75	48,75	0,29	35,9	398	2000
89	60,67	0,28	28,9	472	2000

SXA203

Mn₂ [Nm]	i	Pn₁ [kW]	n₂ [rpm]	Fr1 [N]	Fr2 [N]
94	51,32	0,36	34,1	472	2000
94	59,65	0,31	29,3	472	2000
94	72,27	0,25	24,2	472	2000
94	89,94	0,20	19,5	472	2000
94	110,51	0,17	15,8	472	2000
94	133,88	0,14	13,1	472	2000
94	166,61	0,11	10,5	472	2000
94	193,30	0,09	9,1	472	2000
94	240,55	0,08	7,3	472	2000
94	279,07	0,07	6,3	472	2000
94	347,29	0,05	5,0	472	2000

SXA241

Mn₂ [Nm]	i	Pn₁ [kW]	n₂ [rpm]	Fr1 [N]	Fr2 [N]
38	1,45	4,90	1208,3	330	1309
38	2,94	2,41	594,3	330	1658
47	4,75	1,87	368,4	330	1945
47	5,45	1,63	320,8	330	2036
38	7,88	0,90	222,2	330	2302
24	10,83	0,41	161,5	330	2560

SXA252

Mn₂ [Nm]	i	Pn₁ [kW]	n₂ [rpm]	Fr1 [N]	Fr2 [N]
132	5,38	4,67	325,3	330	2143
132	6,52	3,85	268,5	409	2284
122	8,11	2,88	215,8	369	2457
141	10,94	2,46	160,0	424	2714
132	13,25	1,90	132,1	381	2894
132	16,49	1,52	106,1	398	3112
141	20,26	1,33	86,4	432	3334
146	24,55	1,13	71,3	422	3554
132	30,55	0,82	57,3	359	3823
141	35,44	0,76	49,4	457	4017
132	44,10	0,57	39,7	371	4300
108	48,75	0,42	35,9	416	4300
122	60,67	0,38	28,9	428	4300

SXA253

Mn₂ [Nm]	i	Pn₁ [kW]	n₂ [rpm]	Fr1 [N]	Fr2 [N]
141	51,32	0,54	34,1	427	4300
141	59,65	0,46	29,3	426	4300
141	72,27	0,38	24,2	409	4300
141	89,94	0,31	19,5	398	4300
141	110,51	0,25	15,8	403	4300
141	133,88	0,21	13,1	409	4300
141	166,61	0,16	10,5	398	4300
141	193,30	0,14	9,1	427	4300
141	240,55	0,11	7,3	398	4300
141	279,07	0,10	6,3	427	4300
141	347,29	0,08	5,0	398	4300

SXA281

Mn₂ [Nm]	i	Pn₁ [kW]	n₂ [rpm]	Fr1 [N]	Fr2 [N]
85	1,33	11,99	1312,5	550	1906
85	2,50	6,39	700,0	550	2350
103	4,38	4,46	399,1	550	2834
85	7,75	2,06	225,8	550	3426
66	10,67	1,17	164,1	550	3811

SXA302

Mn₂ [Nm]	i	Pn₁ [kW]	n₂ [rpm]	Fr1 [N]	Fr2 [N]
226	5,14	8,37	340,3	550	2638
226	6,22	6,92	281,2	682	2811
226	7,73	5,57	226,3	664	3023
282	9,64	5,58	181,5	827	3253
263	11,67	4,31	150,0	636	3467
263	14,50	3,46	120,7	664	3727
282	16,91	3,18	103,5	758	3924
273	20,46	2,54	85,5	659	4181
263	25,43	1,98	68,8	641	4495
282	29,89	1,80	58,5	752	4744
282	36,17	1,49	48,4	682	5055
263	44,95	1,12	38,9	620	5435
282	49,78	1,08	35,2	798	5623
273	61,87	0,84	28,3	642	6000

SXA303

Mn₂ [Nm]	i	Pn₁ [kW]	n₂ [rpm]	Fr1 [N]	Fr2 [N]
282	49,80	1,10	35,1	330	5624
282	60,25	0,91	29,1	409	5992
282	74,88	0,73	23,4	398	6000
282	88,02	0,62	19,9	421	6000
282	111,61	0,49	15,7	390	6000
282	138,71	0,40	12,6	398	6000
282	163,05	0,34	10,7	421	6000
282	200,27	0,27	8,7	403	6000
282	235,41	0,23	7,4	421	6000
282	284,81	0,19	6,1	409	6000
282	353,98	0,16	4,9	398	6000

SXA402

Mn₂ [Nm]	i	Pn₁ [kW]	n₂ [rpm]	Fr1 [N]	Fr2 [N]
357	5,14	13,26	340,3	550	3894
357	6,22	10,96	281,2	682	4150
357	7,73	8,82	226,3	664	4462
432	9,64	8,56	181,5	801	4802
414	11,67	6,77	150,0	652	5117
395	14,50	5,20	120,7	634	5502
470	16,91	5,30	103,5	842	5791
432	20,46	4,03	85,5	627	6171
404	25,43	3,03	68,8	621	6635
423	29,89	2,70	58,5	734	7002
442	36,17	2,33	48,4	712	7461
414	44,95	1,76	38,9	621	8000
348	49,78	1,33	35,2	626	8000
414	61,87	1,28	28,3	789	8000

SXA403

Mn₂ [Nm]	i	Pn₁ [kW]	n₂ [rpm]	Fr1 [N]	Fr2 [N]
451	49,80	1,77	35,1	330	8000
451	60,25	1,46	29,1	409	8000
451	74,88	1,17	23,4	398	8000
451	88,02	1,00	19,9	421	8000
451	111,61	0,79	15,7	390	8000
451	138,71	0,63	12,6	398	8000
451	163,05	0,54	10,7	421	8000
451	200,27	0,44	8,7	403	8000
451	235,41	0,37	7,4	421	8000
451	284,81	0,31	6,1	409	8000
451	353,98	0,25	4,9	398	8000

SXH191

Mn₂ [Nm]	i	Pn₁ [kW]	n₂ [rpm]	Fr1 [N]	Fr2 [N]
26	1,44	3,46	1217,4	976	578
26	2,00	2,49	875,0	1087	659
32	2,55	2,37	687,5	1100	698
32	2,71	2,22	644,7	1117	716
41	3,11	2,52	563,6	1083	712
42	3,59	2,23	487,7	1116	753
42	4,20	1,90	416,7	1153	804
42	5,00	1,60	350,0	1188	864

SXH191

Mn₂ [Nm]	i	Pn₁ [kW]	n₂ [rpm]	Fr₁ [N]	Fr₂ [N]
47	5,50	1,61	318,2	1186	876
47	6,09	1,46	287,3	1204	914
47	7,67	1,16	228,3	1238	1000
52	8,75	1,12	200,0	1243	1000

SXH241

Mn₂ [Nm]	i	Pn₁ [kW]	n₂ [rpm]	Fr₁ [N]	Fr₂ [N]
42	1,27	6,28	1375,0	793	1455
61	1,42	8,13	1233,0	616	1405
61	2,13	5,43	823,5	874	1660
71	2,57	5,18	680,6	898	1736
80	3,17	4,77	552,6	937	1835
85	3,69	4,33	474,6	979	1927
85	4,00	4,00	437,5	1011	1994
89	4,77	3,54	366,9	1055	2117
94	5,25	3,38	333,3	1070	2175
94	5,82	3,05	300,8	1101	2271
94	7,33	2,42	238,6	1162	2498
94	8,38	2,12	209,0	1191	2500

SXH252

Mn₂ [Nm]	i	Pn₁ [kW]	n₂ [rpm]	Fr₁ [N]	Fr₂ [N]
89	4,70	3,63	372,7	742	2769
99	6,23	3,02	280,9	852	3037
118	7,76	2,89	225,4	877	3151
122	8,87	2,63	197,4	924	3300
132	10,14	2,48	172,5	952	3412
136	11,76	2,21	148,8	1001	3605
160	13,72	2,22	127,5	999	3625
160	14,66	2,08	119,4	1024	3743
179	16,77	2,03	104,4	1033	3795
188	18,20	1,97	96,2	1044	3854
188	19,90	1,80	88,0	1075	4029
188	22,68	1,58	77,2	1115	4296
188	23,83	1,51	73,4	1129	4400
188	26,39	1,36	66,3	1156	4620
188	29,70	1,21	58,9	1184	4884
188	32,89	1,09	53,2	1205	5120
188	37,92	0,95	46,1	1231	5464

SXH252

Mn₂ [Nm]	i	Pn₁ [kW]	n2 [rpm]	Fr1 [N]	Fr2 [N]
188	41,40	0,87	42,3	1246	5500
188	47,25	0,76	37,0	1265	5500

SXH253

Mn₂ [Nm]	i	Pn₁ [kW]	n2 [rpm]	Fr1 [N]	Fr2 [N]
188	53,59	0,68	32,7	1282	5500
188	66,78	0,55	26,2	1306	5500
188	74,84	0,49	23,4	1316	5500
188	99,27	0,37	17,6	1338	5500
188	108,05	0,34	16,2	1343	5500
188	123,71	0,30	14,2	1351	5500
188	143,33	0,26	12,2	1358	5500
188	178,61	0,21	9,8	1367	5500
188	197,17	0,19	8,9	1371	5500
188	245,70	0,15	7,1	1377	5500

SXH281

Mn₂ [Nm]	i	Pn₁ [kW]	n2 [rpm]	Fr1 [N]	Fr2 [N]
94	1,34	13,22	1302,3	1940	2110
122	2,13	10,86	823,5	2124	2407
132	2,57	9,67	680,6	2218	2560
132	3,17	7,85	552,6	2360	2781
141	3,69	7,22	474,6	2410	2916
141	4,00	6,66	437,5	2454	3012
150	4,77	5,96	366,9	2509	3190
160	5,25	5,75	333,3	2525	3276
160	5,82	5,19	300,8	2569	3412
160	7,33	4,12	238,6	2653	3700
160	8,38	3,60	209,0	2693	3700

SXH302

Mn₂ [Nm]	i	Pn₁ [kW]	n2 [rpm]	Fr1 [N]	Fr2 [N]
150	5,46	5,26	320,4	494	3589
150	7,19	3,99	243,5	718	4052
197	8,91	4,23	196,3	676	4056
226	10,31	4,18	169,7	686	4106
235	11,80	3,80	148,3	752	4303

SXH302

Mn₂ [Nm]	i	Pn₁ [kW]	n₂ [rpm]	Fr1 [N]	Fr2 [N]
235	13,57	3,31	128,9	841	4601
235	15,96	2,81	109,7	929	4965
235	19,00	2,36	92,1	1009	5379
235	21,00	2,14	83,3	1049	5627
244	23,15	2,02	75,6	1070	5799
244	26,04	1,79	67,2	1110	6112
263	27,50	1,83	63,6	1104	6106
263	30,45	1,65	57,5	1135	6393
263	34,10	1,47	51,3	1166	6600
263	37,76	1,33	46,3	1192	6600
263	43,75	1,15	40,0	1224	6600
263	47,53	1,06	36,8	1240	6600
263	54,25	0,93	32,3	1264	6600

SXH303

Mn₂ [Nm]	i	Pn₁ [kW]	n₂ [rpm]	Fr1 [N]	Fr2 [N]
282	61,83	0,89	28,3	1274	6600
282	76,67	0,72	22,8	1304	6600
282	87,05	0,63	20,1	1319	6600
282	114,55	0,48	15,3	1345	6600
282	125,69	0,44	13,9	1352	6600
282	142,04	0,39	12,3	1361	6600
282	165,38	0,33	10,6	1371	6600
282	205,07	0,27	8,5	1382	6600
282	227,50	0,24	7,7	1386	6600
282	282,10	0,19	6,2	1395	6600

SXH352

Mn₂ [Nm]	i	Pn₁ [kW]	n₂ [rpm]	Fr1 [N]	Fr2 [N]
244	5,73	8,15	305,6	328	4443
273	6,89	7,55	253,8	406	4642
320	8,53	7,15	205,2	458	4802
348	9,56	6,94	183,0	486	4884
367	11,51	6,08	152,0	599	5218
404	14,24	5,42	122,9	686	5530
423	16,59	4,87	105,5	759	5835
432	18,00	4,59	97,2	796	6011
432	19,97	4,13	87,6	855	6325
442	21,67	3,89	80,8	887	6515

SXH352

Mn₂ [Nm]	i	Pn₁ [kW]	n₂ [rpm]	Fr1 [N]	Fr2 [N]
442	24,71	3,41	70,8	950	6939
461	26,18	3,36	66,8	957	7006
461	28,44	3,09	61,5	992	7288
461	31,52	2,79	55,5	1032	7649
461	33,00	2,66	53,0	1048	7815
461	38,98	2,26	44,9	1102	8000
461	45,36	1,94	38,6	1144	8000
461	49,13	1,79	35,6	1163	8000
461	56,11	1,57	31,2	1192	8000

SXH353

Mn₂ [Nm]	i	Pn₁ [kW]	n₂ [rpm]	Fr1 [N]	Fr2 [N]
470	58,81	1,56	29,8	1198	8000
470	72,75	1,26	24,1	1236	8000
470	90,51	1,01	19,3	1268	8000
470	108,95	0,84	16,1	1290	8000
470	134,76	0,68	13,0	1311	8000
470	157,29	0,58	11,1	1323	8000
470	194,56	0,47	9,0	1338	8000
470	216,38	0,42	8,1	1344	8000
470	267,65	0,34	6,5	1354	8000

SXH381

Mn₂ [Nm]	i	Pn₁ [kW]	n₂ [rpm]	Fr1 [N]	Fr2 [N]
207	1,30	30,11	1349,0	851	2272
226	1,43	29,83	1225,0	871	2321
235	1,93	22,99	906,2	1368	2597
277	2,54	20,61	688,5	1541	2804
296	3,25	17,21	538,5	1788	3054
301	3,72	15,27	470,1	1930	3214
301	4,00	14,21	437,5	2007	3308
301	4,67	12,18	375,0	2154	3516
310	5,54	10,58	316,0	2270	3740
320	6,08	9,92	287,7	2318	3860
329	7,50	8,29	233,3	2437	4000
329	8,44	7,36	207,2	2504	4000

SXH402

Mn₂ [Nm]	i	Pn₁ [kW]	n2 [rpm]	Fr1 [N]	Fr2 [N]
470	5,38	16,69	325,6	972	7181
517	5,93	16,63	294,9	979	7240
517	7,39	13,35	236,8	1346	8018
564	8,50	12,67	205,9	1423	8270
564	9,39	11,47	186,5	1557	8658
611	11,69	9,98	149,7	1724	9291
658	12,67	9,92	138,2	1731	9366
658	14,75	8,52	118,6	1888	10053
752	16,29	8,81	107,5	1854	9972
780	17,67	8,43	99,1	1897	10202
799	20,28	7,52	86,3	1999	10787
799	23,27	6,55	75,2	2108	11512
799	25,70	5,94	68,1	2177	12000
752	29,33	4,89	59,7	2293	12000
799	32,00	4,77	54,7	2308	12000
752	36,99	3,88	47,3	2407	12000
799	40,33	3,78	43,4	2418	12000
799	46,06	3,31	38,0	2471	12000

SXH403

Mn₂ [Nm]	i	Pn₁ [kW]	n2 [rpm]	Fr1 [N]	Fr2 [N]
799	49,45	3,15	35,4	2496	12000
799	54,61	2,85	32,0	2529	12000
799	68,00	2,29	25,7	2590	12000
799	85,82	1,81	20,4	2643	12000
799	94,76	1,64	18,5	2661	12000
799	118,00	1,32	14,8	2697	12000
799	135,40	1,15	12,9	2715	12000
799	149,51	1,04	11,7	2727	12000
799	170,67	0,91	10,2	2742	12000
799	186,18	0,84	9,4	2750	12000
799	215,21	0,72	8,1	2762	12000
799	234,67	0,66	7,5	2769	12000
799	268,00	0,58	6,5	2778	12000

SXH481

Mn₂ [Nm]	i	Pn₁ [kW]	n2 [rpm]	Fr1 [N]	Fr2 [N]
414	1,29	60,44	1353,8	1743	2787
451	1,41	60,44	1240,9	1743	2834

SXH481

Mn₂ [Nm]	i	Pn₁ [kW]	n₂ [rpm]	Fr1 [N]	Fr2 [N]
451	2,03	41,94	861,1	2423	3282
541	2,48	41,15	705,2	2452	3427
573	3,27	33,10	534,7	2748	3785
573	3,70	29,28	473,0	2888	3976
573	4,22	25,66	414,5	3021	4191
583	4,88	22,58	359,0	3134	4423
583	5,27	20,90	332,3	3196	4559
602	6,23	18,24	280,9	3294	4843
611	7,55	15,30	231,9	3402	5000
611	8,40	13,74	208,3	3459	5000

SXH502

Mn₂ [Nm]	i	Pn₁ [kW]	n₂ [rpm]	Fr1 [N]	Fr2 [N]
658	5,39	23,31	324,8	947	9019
658	5,95	21,12	294,3	1140	9420
752	7,39	19,41	236,7	1292	9927
752	8,02	17,90	218,2	1426	10294
846	8,85	18,25	197,7	1395	10322
1034	11,01	17,93	159,0	1423	10532
1316	13,50	18,61	129,6	1363	10317
1410	14,90	18,07	117,5	1410	10432
1410	16,62	16,20	105,3	1576	11058
1410	18,53	14,53	94,5	1723	11705
1504	19,38	14,81	90,3	1699	11551
1504	21,39	13,42	81,8	1821	12166
1504	22,80	12,59	76,8	1895	12576
1504	26,60	10,79	65,8	2054	13601
1504	27,88	10,30	62,8	2098	13925
1504	31,15	9,22	56,2	2193	14709
1504	34,38	8,35	50,9	2270	15429
1504	38,70	7,42	45,2	2352	16329
1504	42,75	6,72	40,9	2414	17111
1504	48,13	5,96	36,4	2481	18000

SXH503

Mn₂ [Nm]	i	Pn₁ [kW]	n₂ [rpm]	Fr1 [N]	Fr2 [N]
1504	56,53	5,19	31,0	2559	18000
1692	71,48	4,61	24,5	2609	18000
1692	78,87	4,18	22,2	2646	18000

SXH503

Mn₂ [Nm]	i	Pn₁ [kW]	n2 [rpm]	Fr1 [N]	Fr2 [N]
1692	85,56	3,86	20,4	2674	18000
1692	98,09	3,36	17,8	2717	18000
1692	112,78	2,92	15,5	2755	18000
1692	124,44	2,65	14,1	2779	18000
1692	142,15	2,32	12,3	2807	18000
1692	154,76	2,13	11,3	2824	18000
1692	162,35	2,03	10,8	2832	18000
1692	179,13	1,84	9,8	2849	18000
1692	195,07	1,69	9,0	2862	18000
1692	222,78	1,48	7,9	2880	18000

SXH551

Mn₂ [Nm]	i	Pn₁ [kW]	n2 [rpm]	Fr1 [N]	Fr2 [N]
639	1,23	98,11	1421,9	920	3501
696	1,42	92,76	1235,3	1084	3643
696	1,81	72,74	968,8	1699	4010
733	2,00	69,26	875,0	1806	4134
771	2,48	58,72	705,6	2129	4459
771	2,95	49,28	592,3	2419	4773
790	3,14	47,46	556,8	2475	4870
799	3,58	42,17	489,0	2637	5111
799	4,12	36,66	425,0	2807	5394
818	4,80	32,19	364,6	2944	5700
827	5,21	29,97	335,6	3012	5873
846	6,25	25,57	280,0	3147	6000
940	7,70	23,06	227,3	3224	6000

SXH602

Mn₂ [Nm]	i	Pn₁ [kW]	n2 [rpm]	Fr1 [N]	Fr2 [N]
1692	5,26	61,37	332,5	1872	9555
1880	6,36	56,46	275,3	2050	9878
2162	7,05	58,53	248,2	1975	9408
2350	8,27	54,21	211,5	2131	9660
2632	9,99	50,28	175,1	2273	9796
2820	11,09	48,56	157,9	2336	9779
2914	13,32	41,74	131,3	2582	10718
3008	16,09	35,68	108,8	2801	11774
3008	17,85	32,16	98,0	2928	12590
3008	19,85	28,93	88,2	3045	13453

SXH602

Mn₂ [Nm]	i	Pn₁ [kW]	n₂ [rpm]	Fr1 [N]	Fr2 [N]
3008	21,44	26,78	81,6	3123	14102
3102	23,97	24,70	73,0	3198	14710
3102	25,89	22,87	67,6	3265	15401
3102	28,73	20,61	60,9	3346	16357
3008	30,72	18,69	57,0	3416	17349
3008	34,20	16,79	51,2	3484	18396
2632	38,45	13,07	45,5	3619	21009
3102	41,30	14,34	42,4	3573	19974
3102	45,82	12,92	38,2	3624	21091
3102	51,52	11,49	34,0	3676	22000

SXH603

Mn₂ [Nm]	i	Pn₁ [kW]	n₂ [rpm]	Fr1 [N]	Fr2 [N]
3290	55,47	11,56	31,6	3682	22000
3290	69,69	9,20	25,1	3766	22000
3290	79,82	8,04	21,9	3807	22000
3290	84,16	7,62	20,8	3822	22000
3290	93,36	6,87	18,7	3848	22000
3290	100,07	6,41	17,5	3865	22000
3290	120,84	5,31	14,5	3904	22000
3290	134,06	4,78	13,1	3922	22000
3290	143,42	4,47	12,2	3933	22000
3290	160,82	3,99	10,9	3950	22000
3290	181,07	3,54	9,7	3966	22000
3290	194,21	3,30	9,0	3975	22000
3290	215,45	2,98	8,1	3986	22000
3384	242,59	2,72	7,2	3995	22000

SXH702

Mn₂ [Nm]	i	Pn₁ [kW]	n₂ [rpm]	Fr1 [N]	Fr2 [N]
2820	5,27	102,05	331,8	973	13873
3008	5,78	99,42	303,0	1052	13972
3384	7,05	91,64	248,3	1285	14386
3478	7,74	85,75	226,0	1461	14886
3572	8,48	80,44	206,4	1620	15384
3760	10,35	69,37	169,2	1952	16625
4136	12,66	62,35	138,2	2162	17416
4324	13,86	59,53	126,2	2246	17753
4512	16,92	50,90	103,4	2505	19324

SXH702

Mn₂ [Nm]	i	Pn₁ [kW]	n₂ [rpm]	Fr1 [N]	Fr2 [N]
4700	19,32	46,43	90,6	2639	20249
4700	20,57	43,61	85,1	2723	20996
4700	22,52	39,83	77,7	2836	22104
4700	24,47	36,67	71,5	2931	23147
4700	27,49	32,63	63,7	3052	24663
4700	29,86	30,04	58,6	3130	25777
4700	33,00	27,19	53,0	3215	27161
4700	36,13	24,83	48,4	3286	28459
4700	44,10	20,34	39,7	3420	30000

SXH703

Mn₂ [Nm]	i	Pn₁ [kW]	n₂ [rpm]	Fr1 [N]	Fr2 [N]
4700	45,77	20,02	38,2	3442	30000
4700	55,87	16,40	31,3	3548	30000
4700	67,32	13,61	26,0	3630	30000
4700	73,71	12,43	23,7	3665	30000
4700	83,34	10,99	21,0	3707	30000
4700	89,97	10,18	19,4	3731	30000
4700	100,29	9,14	17,4	3761	30000
4700	108,34	8,46	16,1	3781	30000
4700	118,62	7,72	14,8	3803	30000
4700	128,18	7,15	13,7	3820	30000
4700	144,79	6,33	12,1	3844	30000
4700	155,22	5,90	11,3	3856	30000
4700	172,80	5,30	10,1	3874	30000
4700	189,19	4,84	9,2	3887	30000
4700	207,43	4,42	8,4	3900	30000
4700	230,92	3,97	7,6	3913	30000

SXH902

Mn₂ [Nm]	i	Pn₁ [kW]	n₂ [rpm]	Fr1 [N]	Fr2 [N]
4324	5,27	156,49	331,8	5427	17544
4606	6,36	138,34	275,4	6017	18654
4700	7,04	127,38	248,5	6374	19503
4982	7,84	121,25	223,1	6573	19885
6110	9,45	123,42	185,2	6503	18741
6768	10,47	123,36	167,1	6505	18062
6862	13,07	100,21	133,9	7258	20719
7332	15,75	88,86	111,1	7628	21957

SXH902

Mn₂ [Nm]	i	Pn₁ [kW]	n₂ [rpm]	Fr1 [N]	Fr2 [N]
7426	17,45	81,21	100,3	7877	23205
7520	20,04	71,62	87,3	8189	25066
7520	24,15	59,44	72,5	8585	28116
7520	26,76	53,63	65,4	8774	29879
7520	32,24	44,52	54,3	9071	33234
7520	38,85	36,95	45,0	9317	36807
7520	43,05	33,34	40,6	9435	38874

SXH903

Mn₂ [Nm]	i	Pn₁ [kW]	n₂ [rpm]	Fr1 [N]	Fr2 [N]
7520	48,35	30,32	36,2	9553	41292
7520	53,53	27,39	32,7	9647	43493
7520	59,22	24,76	29,6	9731	45753
7520	62,99	23,27	27,8	9778	47174
7520	71,35	20,55	24,5	9865	50129
7520	79,07	18,54	22,1	9929	52660
7520	86,43	16,96	20,2	9979	54922
7520	96,21	15,24	18,2	10034	55000
7520	104,51	14,03	16,7	10073	55000
7520	115,92	12,65	15,1	10117	55000
7520	128,47	11,41	13,6	10156	55000
7520	139,55	10,50	12,5	10185	55000
7520	154,33	9,50	11,3	10217	55000
7520	185,96	7,88	9,4	10269	55000
7520	206,08	7,11	8,5	10293	55000

SXA191

Mn₂ [Nm]	i	Pn₁ [kW]	n₂ [rpm]	Fr1 [N]	Fr2 [N]
25	1,45	2,61	966,7	330	512
25	2,94	1,28	475,5	330	648
30	4,75	0,95	294,7	330	760
30	5,45	0,83	256,7	330	796
25	7,88	0,48	177,8	330	900
20	10,83	0,28	129,2	330	1001

SXA202

Mn₂ [Nm]	i	Pn₁ [kW]	n₂ [rpm]	Fr1 [N]	Fr2 [N]
80	5,38	2,27	260,3	330	1096
80	6,52	1,87	214,8	409	1169
75	8,11	1,41	172,6	373	1257
90	10,94	1,26	128,0	441	1389
80	13,25	0,92	105,7	363	1481
80	16,49	0,74	84,9	398	1593
90	20,26	0,68	69,1	453	1706
85	24,55	0,53	57,0	386	1818
80	30,55	0,40	45,8	374	1956
90	35,44	0,39	39,5	480	2000
90	44,10	0,31	31,8	398	2000
80	48,75	0,25	28,7	398	2000
95	60,67	0,24	23,1	472	2000

SXA203

Mn₂ [Nm]	i	Pn₁ [kW]	n₂ [rpm]	Fr1 [N]	Fr2 [N]
100	51,32	0,30	27,3	472	2000
100	59,65	0,26	23,5	472	2000
100	72,27	0,22	19,4	472	2000
100	89,94	0,17	15,6	472	2000
100	110,51	0,14	12,7	472	2000
100	133,88	0,12	10,5	472	2000
100	166,61	0,09	8,4	472	2000
100	193,30	0,08	7,2	472	2000
100	240,55	0,06	5,8	472	2000
100	279,07	0,06	5,0	472	2000
100	347,29	0,04	4,0	472	2000

SXA241

Mn₂ [Nm]	i	Pn₁ [kW]	n₂ [rpm]	Fr1 [N]	Fr2 [N]
40	1,45	4,17	966,7	330	1410
40	2,94	2,05	475,5	330	1786
50	4,75	1,59	294,7	330	2095
50	5,45	1,39	256,7	330	2194
40	7,88	0,77	177,8	330	2479
25	10,83	0,35	129,2	330	2757

SXA252

Mn₂ [Nm]	i	Pn₁ [kW]	n₂ [rpm]	Fr1 [N]	Fr2 [N]
140	5,38	3,97	260,3	330	2308
140	6,52	3,28	214,8	409	2461
130	8,11	2,45	172,6	369	2647
150	10,94	2,09	128,0	424	2924
140	13,25	1,61	105,7	381	3117
140	16,49	1,30	84,9	398	3353
150	20,26	1,13	69,1	432	3591
155	24,55	0,96	57,0	422	3828
140	30,55	0,70	45,8	359	4118
150	35,44	0,65	39,5	457	4300
140	44,10	0,48	31,8	371	4300
115	48,75	0,36	28,7	416	4300
130	60,67	0,33	23,1	428	4300

SXA253

Mn₂ [Nm]	i	Pn₁ [kW]	n₂ [rpm]	Fr1 [N]	Fr2 [N]
150	51,32	0,46	27,3	427	4300
150	59,65	0,39	23,5	426	4300
150	72,27	0,32	19,4	409	4300
150	89,94	0,26	15,6	398	4300
150	110,51	0,21	12,7	403	4300
150	133,88	0,17	10,5	409	4300
150	166,61	0,14	8,4	398	4300
150	193,30	0,12	7,2	427	4300
150	240,55	0,10	5,8	398	4300
150	279,07	0,08	5,0	427	4300
150	347,29	0,07	4,0	398	4300

SXA281

Mn₂ [Nm]	i	Pn₁ [kW]	n₂ [rpm]	Fr1 [N]	Fr2 [N]
90	1,33	10,20	1050,0	550	2053
90	2,50	5,44	560,0	550	2531
110	4,38	3,79	319,3	550	3053
90	7,75	1,76	180,7	550	3691
70	10,67	0,99	131,2	550	4106

SXA302

Mn₂ [Nm]	i	Pn₁ [kW]	n₂ [rpm]	Fr1 [N]	Fr2 [N]
240	5,14	7,13	272,2	550	2842
240	6,22	5,89	225,0	682	3029
240	7,73	4,74	181,0	664	3256
300	9,64	4,75	145,2	827	3505
280	11,67	3,66	120,0	636	3735
280	14,50	2,95	96,5	664	4015
300	16,91	2,71	82,8	758	4227
290	20,46	2,16	68,4	659	4504
280	25,43	1,68	55,0	641	4842
300	29,89	1,53	46,8	752	5110
300	36,17	1,27	38,7	682	5445
280	44,95	0,95	31,1	620	5855
300	49,78	0,92	28,1	798	6000
290	61,87	0,72	22,6	642	6000

SXA303

Mn₂ [Nm]	i	Pn₁ [kW]	n₂ [rpm]	Fr1 [N]	Fr2 [N]
300	49,80	0,94	28,1	330	6000
300	60,25	0,78	23,2	409	6000
300	74,88	0,62	18,7	398	6000
300	88,02	0,53	15,9	421	6000
300	111,61	0,42	12,5	390	6000
300	138,71	0,34	10,1	398	6000
300	163,05	0,29	8,6	421	6000
300	200,27	0,23	7,0	403	6000
300	235,41	0,20	6,0	421	6000
300	284,81	0,16	4,9	409	6000
300	353,98	0,13	4,0	398	6000

SXA402

Mn₂ [Nm]	i	Pn₁ [kW]	n₂ [rpm]	Fr1 [N]	Fr2 [N]
380	5,14	11,28	272,2	550	4195
380	6,22	9,33	225,0	682	4470
380	7,73	7,50	181,0	664	4806
460	9,64	7,28	145,2	801	5173
440	11,67	5,76	120,0	652	5512
420	14,50	4,42	96,5	634	5926
500	16,91	4,51	82,8	842	6238
460	20,46	3,43	68,4	627	6647
430	25,43	2,58	55,0	621	7147
450	29,89	2,30	46,8	734	7543
470	36,17	1,98	38,7	712	8000
440	44,95	1,49	31,1	621	8000
370	49,78	1,14	28,1	626	8000
440	61,87	1,09	22,6	789	8000

SXA403

Mn₂ [Nm]	i	Pn₁ [kW]	n₂ [rpm]	Fr1 [N]	Fr2 [N]
480	49,80	1,50	28,1	330	8000
480	60,25	1,24	23,2	409	8000
480	74,88	1,00	18,7	398	8000
480	88,02	0,85	15,9	421	8000
480	111,61	0,67	12,5	390	8000
480	138,71	0,54	10,1	398	8000
480	163,05	0,46	8,6	421	8000
480	200,27	0,37	7,0	403	8000
480	235,41	0,32	6,0	421	8000
480	284,81	0,26	4,9	409	8000
480	353,98	0,21	4,0	398	8000

SXH191

Mn₂ [Nm]	i	Pn₁ [kW]	n₂ [rpm]	Fr1 [N]	Fr2 [N]
28	1,44	2,94	973,9	951	624
28	2,00	2,12	700,0	1069	711
34	2,55	2,02	550,0	1082	754
34	2,71	1,89	515,8	1100	774
44	3,11	2,14	450,9	1065	770
45	3,59	1,90	390,2	1100	813
45	4,20	1,62	333,3	1139	869
45	5,00	1,36	280,0	1176	933

SXH191

Mn₂ [Nm]	i	Pn₁ [kW]	n₂ [rpm]	Fr1 [N]	Fr2 [N]
50	5,50	1,37	254,6	1174	947
50	6,09	1,24	229,8	1193	988
50	7,67	0,99	182,6	1230	1000
55	8,75	0,95	160,0	1235	1000

SXH241

Mn₂ [Nm]	i	Pn₁ [kW]	n₂ [rpm]	Fr1 [N]	Fr2 [N]
45	1,27	5,34	1100,0	754	1570
65	1,42	6,92	986,4	566	1518
65	2,13	4,62	658,8	841	1793
75	2,57	4,41	544,4	866	1876
85	3,17	4,06	442,1	908	1983
90	3,69	3,69	379,7	952	2083
90	4,00	3,40	350,0	987	2155
95	4,77	3,01	293,6	1033	2288
100	5,25	2,88	266,7	1049	2351
100	5,82	2,60	240,6	1083	2454
100	7,33	2,06	190,9	1147	2500
100	8,38	1,80	167,2	1178	2500

SXH252

Mn₂ [Nm]	i	Pn₁ [kW]	n₂ [rpm]	Fr1 [N]	Fr2 [N]
95	4,70	3,09	298,1	700	2996
105	6,23	2,57	224,8	817	3285
125	7,76	2,46	180,3	843	3410
130	8,87	2,24	157,9	894	3572
140	10,14	2,11	138,0	924	3694
145	11,76	1,88	119,0	975	3902
170	13,72	1,89	102,0	973	3927
170	14,66	1,77	95,5	1000	4054
190	16,77	1,73	83,5	1010	4113
200	18,20	1,68	76,9	1021	4178
200	19,90	1,53	70,4	1054	4366
200	22,68	1,35	61,7	1097	4654
200	23,83	1,28	58,7	1112	4766
200	26,39	1,16	53,0	1140	5003
200	29,70	1,03	47,1	1169	5287
200	32,89	0,93	42,6	1192	5500
200	37,92	0,81	36,9	1220	5500

SXH252

Mn₂ [Nm]	i	Pn₁ [kW]	n₂ [rpm]	Fr1 [N]	Fr2 [N]
200	41,40	0,74	33,8	1236	5500
200	47,25	0,65	29,6	1257	5500

SXH253

Mn₂ [Nm]	i	Pn₁ [kW]	n₂ [rpm]	Fr1 [N]	Fr2 [N]
200	53,59	0,58	26,1	1274	5500
200	66,78	0,47	21,0	1300	5500
200	74,84	0,42	18,7	1311	5500
200	99,27	0,31	14,1	1334	5500
200	108,05	0,29	13,0	1339	5500
200	123,71	0,25	11,3	1348	5500
200	143,33	0,22	9,8	1355	5500
200	178,61	0,17	7,8	1365	5500
200	197,17	0,16	7,1	1369	5500
200	245,70	0,13	5,7	1375	5500

SXH281

Mn₂ [Nm]	i	Pn₁ [kW]	n₂ [rpm]	Fr1 [N]	Fr2 [N]
100	1,34	11,25	1041,9	1874	2277
130	2,13	9,25	658,8	2070	2600
140	2,57	8,23	544,4	2170	2764
140	3,17	6,68	442,1	2321	3003
150	3,69	6,15	379,7	2374	3149
150	4,00	5,67	350,0	2421	3252
160	4,77	5,07	293,6	2479	3444
170	5,25	4,89	266,7	2496	3537
170	5,82	4,42	240,6	2543	3684
170	7,33	3,50	190,9	2632	3700
170	8,38	3,07	167,2	2675	3700

SXH302

Mn₂ [Nm]	i	Pn₁ [kW]	n₂ [rpm]	Fr1 [N]	Fr2 [N]
160	5,46	4,47	256,3	434	3883
160	7,19	3,40	194,8	673	4382
210	8,91	3,60	157,1	628	4391
240	10,31	3,55	135,7	638	4449
250	11,80	3,24	118,6	709	4661

SXH302

Mn₂ [Nm]	i	Pn₁ [kW]	n2 [rpm]	Fr1 [N]	Fr2 [N]
250	13,57	2,81	103,2	803	4983
250	15,96	2,39	87,7	897	5374
250	19,00	2,01	73,7	982	5820
250	21,00	1,82	66,7	1024	6088
260	23,15	1,72	60,5	1047	6274
260	26,04	1,52	53,8	1089	6600
280	27,50	1,55	50,9	1083	6600
280	30,45	1,40	46,0	1116	6600
280	34,10	1,25	41,1	1150	6600
280	37,76	1,13	37,1	1177	6600
280	43,75	0,98	32,0	1211	6600
280	47,53	0,90	29,4	1228	6600
280	54,25	0,79	25,8	1253	6600

SXH303

Mn₂ [Nm]	i	Pn₁ [kW]	n2 [rpm]	Fr1 [N]	Fr2 [N]
300	61,83	0,76	22,6	1264	6600
300	76,67	0,61	18,3	1296	6600
300	87,05	0,54	16,1	1311	6600
300	114,55	0,41	12,2	1340	6600
300	125,69	0,37	11,1	1347	6600
300	142,04	0,33	9,9	1357	6600
300	165,38	0,28	8,5	1367	6600
300	205,07	0,23	6,8	1379	6600
300	227,50	0,21	6,2	1384	6600
300	282,10	0,17	5,0	1392	6600

SXH352

Mn₂ [Nm]	i	Pn₁ [kW]	n2 [rpm]	Fr1 [N]	Fr2 [N]
260	5,73	6,93	244,4	259	4808
290	6,89	6,42	203,1	343	5024
340	8,53	6,09	164,2	398	5202
370	9,56	5,91	146,4	428	5292
390	11,51	5,17	121,6	548	5654
430	14,24	4,61	98,3	641	5993
450	16,59	4,14	84,4	718	6324
460	18,00	3,90	77,8	757	6513
460	19,97	3,52	70,1	821	6852
470	21,67	3,31	64,6	854	7058

SXH352

Mn₂ [Nm]	i	Pn₁ [kW]	n₂ [rpm]	Fr1 [N]	Fr2 [N]
470	24,71	2,90	56,7	921	7514
490	26,18	2,86	53,5	929	7588
490	28,44	2,63	49,2	966	7892
490	31,52	2,37	44,4	1008	8000
490	33,00	2,27	42,4	1026	8000
490	38,98	1,92	35,9	1083	8000
490	45,36	1,65	30,9	1127	8000
490	49,13	1,52	28,5	1148	8000
490	56,11	1,33	24,9	1179	8000

SXH353

Mn₂ [Nm]	i	Pn₁ [kW]	n₂ [rpm]	Fr1 [N]	Fr2 [N]
500	58,81	1,33	23,8	1185	8000
500	72,75	1,07	19,2	1226	8000
500	90,51	0,86	15,5	1260	8000
500	108,95	0,72	12,8	1283	8000
500	134,76	0,58	10,4	1305	8000
500	157,29	0,50	8,9	1319	8000
500	194,56	0,40	7,2	1334	8000
500	216,38	0,36	6,5	1340	8000
500	267,65	0,29	5,2	1352	8000

SXH381

Mn₂ [Nm]	i	Pn₁ [kW]	n₂ [rpm]	Fr1 [N]	Fr2 [N]
220	1,30	25,63	1079,2	711	2454
240	1,43	25,39	980,0	733	2507
250	1,93	19,57	725,0	1262	2804
295	2,54	17,54	550,8	1446	3029
315	3,25	14,65	430,8	1708	3298
320	3,72	12,99	376,1	1859	3471
320	4,00	12,09	350,0	1941	3572
320	4,67	10,36	300,0	2098	3796
330	5,54	9,00	252,8	2221	4000
340	6,08	8,45	230,1	2272	4000
350	7,50	7,05	186,7	2398	4000
350	8,44	6,26	165,8	2470	4000

SXH402

Mn₂ [Nm]	i	Pn₁ [kW]	n₂ [rpm]	Fr1 [N]	Fr2 [N]
500	5,38	14,21	260,5	853	7772
550	5,93	14,15	235,9	860	7839
550	7,39	11,36	189,4	1250	8677
600	8,50	10,78	164,7	1332	8953
600	9,39	9,76	149,2	1475	9371
650	11,69	8,49	119,8	1652	10056
700	12,67	8,44	110,5	1660	10141
700	14,75	7,25	94,9	1827	10881
800	16,29	7,50	86,0	1791	10801
830	17,67	7,17	79,2	1837	11051
850	20,28	6,40	69,0	1946	11682
850	23,27	5,58	60,2	2061	12000
850	25,70	5,05	54,5	2134	12000
800	29,33	4,16	47,7	2259	12000
850	32,00	4,06	43,8	2274	12000
800	36,99	3,30	37,9	2379	12000
850	40,33	3,22	34,7	2391	12000
850	46,06	2,82	30,4	2447	12000

SXH403

Mn₂ [Nm]	i	Pn₁ [kW]	n₂ [rpm]	Fr1 [N]	Fr2 [N]
850	49,45	2,68	28,3	2474	12000
850	54,61	2,43	25,6	2509	12000
850	68,00	1,95	20,6	2574	12000
850	85,82	1,54	16,3	2630	12000
850	94,76	1,40	14,8	2650	12000
850	118,00	1,12	11,9	2688	12000
850	135,40	0,98	10,3	2707	12000
850	149,51	0,89	9,4	2720	12000
850	170,67	0,78	8,2	2735	12000
850	186,18	0,71	7,5	2744	12000
850	215,21	0,62	6,5	2757	12000
850	234,67	0,56	6,0	2764	12000
850	268,00	0,49	5,2	2774	12000

SXH481

Mn₂ [Nm]	i	Pn₁ [kW]	n₂ [rpm]	Fr1 [N]	Fr2 [N]
440	1,29	51,44	1083,0	1601	3010
480	1,41	51,44	992,7	1601	3061

SXH481

Mn₂ [Nm]	i	Pn₁ [kW]	n₂ [rpm]	Fr1 [N]	Fr2 [N]
480	2,03	35,70	688,9	2324	3544
575	2,48	35,02	564,2	2356	3702
610	3,27	28,17	427,8	2670	4088
610	3,70	24,92	378,4	2820	4294
610	4,22	21,83	331,6	2961	4525
620	4,88	19,22	287,2	3081	4775
620	5,27	17,79	265,8	3147	4922
640	6,23	15,52	224,7	3251	5000
650	7,55	13,02	185,5	3366	5000
650	8,40	11,69	166,7	3427	5000

SXH502

Mn₂ [Nm]	i	Pn₁ [kW]	n₂ [rpm]	Fr1 [N]	Fr2 [N]
700	5,39	19,84	259,8	816	9756
700	5,95	17,98	235,4	1021	10188
800	7,39	16,52	189,3	1182	10739
800	8,02	15,23	174,5	1325	11135
900	8,85	15,53	158,2	1292	11171
1100	11,01	15,26	127,2	1321	11409
1400	13,50	15,84	103,7	1258	11195
1500	14,90	15,38	94,0	1308	11324
1500	16,62	13,79	84,3	1484	11998
1500	18,53	12,36	75,6	1641	12695
1600	19,38	12,60	72,2	1615	12535
1600	21,39	11,42	65,5	1745	13197
1600	22,80	10,72	61,4	1824	13639
1600	26,60	9,19	52,6	1993	14744
1600	27,88	8,76	50,2	2040	15093
1600	31,15	7,84	44,9	2141	15937
1600	34,38	7,11	40,7	2222	16712
1600	38,70	6,31	36,2	2310	17681
1600	42,75	5,72	32,8	2376	18000
1600	48,13	5,08	29,1	2447	18000

SXH503

Mn₂ [Nm]	i	Pn₁ [kW]	n₂ [rpm]	Fr1 [N]	Fr2 [N]
1600	56,53	4,41	24,8	2530	18000
1800	71,48	3,93	19,6	2583	18000
1800	78,87	3,56	17,8	2623	18000

SXH503

Mn₂ [Nm]	i	Pn₁ [kW]	n₂ [rpm]	Fr1 [N]	Fr2 [N]
1800	85,56	3,28	16,4	2653	18000
1800	98,09	2,86	14,3	2698	18000
1800	112,78	2,49	12,4	2739	18000
1800	124,44	2,26	11,2	2764	18000
1800	142,15	1,97	9,8	2794	18000
1800	154,76	1,81	9,1	2812	18000
1800	162,35	1,73	8,6	2821	18000
1800	179,13	1,57	7,8	2838	18000
1800	195,07	1,44	7,2	2852	18000
1800	222,78	1,26	6,3	2872	18000

SXH551

Mn₂ [Nm]	i	Pn₁ [kW]	n₂ [rpm]	Fr1 [N]	Fr2 [N]
680	1,23	83,50	1137,5	727	3780
740	1,42	78,94	988,2	902	3934
740	1,81	61,91	775,0	1556	4329
780	2,00	58,94	700,0	1670	4463
820	2,48	49,97	564,5	2014	4813
820	2,95	41,94	473,9	2322	5152
840	3,14	40,39	445,4	2382	5257
850	3,58	35,89	391,2	2555	5517
850	4,12	31,20	340,0	2735	5821
870	4,80	27,39	291,7	2881	6000
880	5,21	25,51	268,5	2953	6000
900	6,25	21,76	224,0	3097	6000
1000	7,70	19,63	181,8	3179	6000

SXH602

Mn₂ [Nm]	i	Pn₁ [kW]	n₂ [rpm]	Fr1 [N]	Fr2 [N]
1800	5,26	52,23	266,0	1731	10378
2000	6,36	48,05	220,3	1919	10737
2300	7,05	49,81	198,6	1840	10244
2500	8,27	46,14	169,2	2006	10525
2800	9,99	42,79	140,1	2157	10686
3000	11,09	41,33	126,3	2223	10677
3100	13,32	35,53	105,1	2486	11693
3200	16,09	30,37	87,0	2719	12836
3200	17,85	27,37	78,4	2854	13715
3200	19,85	24,62	70,5	2979	14645

SXH602

Mn₂ [Nm]	i	Pn₁ [kW]	n₂ [rpm]	Fr1 [N]	Fr2 [N]
3200	21,44	22,79	65,3	3061	15343
3300	23,97	21,02	58,4	3141	16003
3300	25,89	19,46	54,1	3212	16747
3300	28,73	17,54	48,7	3299	17778
3200	30,72	15,91	45,6	3372	18842
3200	34,20	14,29	40,9	3446	19969
2800	38,45	11,12	36,4	3589	22000
3300	41,30	12,20	33,9	3540	21674
3300	45,82	11,00	30,6	3594	22000
3300	51,52	9,78	27,2	3649	22000

SXH603

Mn₂ [Nm]	i	Pn₁ [kW]	n₂ [rpm]	Fr1 [N]	Fr2 [N]
3500	55,47	9,84	25,2	3656	22000
3500	69,69	7,83	20,1	3745	22000
3500	79,82	6,84	17,5	3789	22000
3500	84,16	6,49	16,6	3804	22000
3500	93,36	5,85	15,0	3833	22000
3500	100,07	5,45	14,0	3850	22000
3500	120,84	4,52	11,6	3892	22000
3500	134,06	4,07	10,4	3911	22000
3500	143,42	3,81	9,8	3923	22000
3500	160,82	3,39	8,7	3941	22000
3500	181,07	3,01	7,7	3958	22000
3500	194,21	2,81	7,2	3967	22000
3500	215,45	2,53	6,5	3979	22000
3600	242,59	2,31	5,8	3989	22000

SXH702

Mn₂ [Nm]	i	Pn₁ [kW]	n₂ [rpm]	Fr1 [N]	Fr2 [N]
3000	5,27	86,85	265,4	778	15066
3200	5,78	84,61	242,4	862	15180
3600	7,05	77,99	198,6	1110	15643
3700	7,74	72,98	180,8	1297	16186
3800	8,48	68,46	165,2	1467	16726
4000	10,35	59,04	135,3	1819	18071
4400	12,66	53,06	110,6	2043	18939
4600	13,86	50,67	101,0	2132	19311
4800	16,92	43,32	82,7	2408	21011

SXH702

Mn₂ [Nm]	i	Pn₁ [kW]	n₂ [rpm]	Fr1 [N]	Fr2 [N]
5000	19,32	39,52	72,5	2550	22015
5000	20,57	37,12	68,1	2640	22820
5000	22,52	33,90	62,2	2760	24014
5000	24,47	31,21	57,2	2861	25137
5000	27,49	27,77	50,9	2989	26770
5000	29,86	25,57	46,9	3072	27970
5000	33,00	23,14	42,4	3163	29461
5000	36,13	21,13	38,8	3238	30000
5000	44,10	17,31	31,8	3381	30000

SXH703

Mn₂ [Nm]	i	Pn₁ [kW]	n₂ [rpm]	Fr1 [N]	Fr2 [N]
5000	45,77	17,04	30,6	3405	30000
5000	55,87	13,96	25,1	3518	30000
5000	67,32	11,58	20,8	3605	30000
5000	73,71	10,58	19,0	3641	30000
5000	83,34	9,36	16,8	3686	30000
5000	89,97	8,67	15,6	3711	30000
5000	100,29	7,78	14,0	3744	30000
5000	108,34	7,20	12,9	3765	30000
5000	118,62	6,57	11,8	3788	30000
5000	128,18	6,08	10,9	3806	30000
5000	144,79	5,39	9,7	3832	30000
5000	155,22	5,02	9,0	3845	30000
5000	172,80	4,51	8,1	3864	30000
5000	189,19	4,12	7,4	3878	30000
5000	207,43	3,76	6,8	3891	30000
5000	230,92	3,38	6,1	3905	30000

SXH902

Mn₂ [Nm]	i	Pn₁ [kW]	n₂ [rpm]	Fr1 [N]	Fr2 [N]
4600	5,27	133,18	265,4	5102	19072
4900	6,36	117,74	220,3	5730	20279
5000	7,04	108,41	198,8	6109	21198
5300	7,84	103,19	178,5	6321	21620
6500	9,45	105,04	148,2	6247	20432
7200	10,47	104,98	133,7	6249	19728
7300	13,07	85,28	107,1	7050	22593
7800	15,75	75,63	88,9	7443	23946

SXH902

Mn₂ [Nm]	i	Pn₁ [kW]	n₂ [rpm]	Fr1 [N]	Fr2 [N]
7900	17,45	69,11	80,2	7708	25294
8000	20,04	60,95	69,8	8040	27303
8000	24,15	50,59	58,0	8462	30588
8000	26,76	45,65	52,3	8663	32488
8000	32,24	37,89	43,4	8978	36102
8000	38,85	31,45	36,0	9240	39950
8000	43,05	28,37	32,5	9365	42176

SXH903

Mn₂ [Nm]	i	Pn₁ [kW]	n₂ [rpm]	Fr1 [N]	Fr2 [N]
8000	48,35	25,81	29,0	9492	44781
8000	53,53	23,31	26,1	9591	47153
8000	59,22	21,07	23,6	9680	49587
8000	62,99	19,81	22,2	9731	51117
8000	71,35	17,49	19,6	9823	54301
8000	79,07	15,78	17,7	9891	55000
8000	86,43	14,43	16,2	9945	55000
8000	96,21	12,97	14,6	10003	55000
8000	104,51	11,94	13,4	10044	55000
8000	115,92	10,76	12,1	10091	55000
8000	128,47	9,71	10,9	10133	55000
8000	139,55	8,94	10,0	10164	55000
8000	154,33	8,08	9,1	10198	55000
8000	185,96	6,71	7,5	10252	55000
8000	206,08	6,05	6,8	10279	55000

SXA191

Mn₂ [Nm]	i	Pn₁ [kW]	n₂ [rpm]	Fr1 [N]	Fr2 [N]
26	1,45	2,16	787,1	330	548
26	2,94	1,06	387,2	330	694
31	4,75	0,79	240,0	330	814
31	5,45	0,69	209,0	330	852
26	7,88	0,40	144,8	330	963
21	10,83	0,23	105,2	330	1072

SXA202

Mn₂ [Nm]	i	Pn₁ [kW]	n₂ [rpm]	Fr1 [N]	Fr2 [N]
82	5,38	1,88	211,9	330	1174
82	6,52	1,55	174,9	409	1252
77	8,11	1,17	140,6	373	1346
92	10,94	1,04	104,2	441	1487
82	13,25	0,76	86,0	363	1586
82	16,49	0,61	69,1	398	1705
92	20,26	0,56	56,3	453	1827
87	24,55	0,44	46,4	386	1947
82	30,55	0,33	37,3	374	2000
92	35,44	0,32	32,2	480	2000
92	44,10	0,26	25,9	398	2000
82	48,75	0,21	23,4	398	2000
97	60,67	0,20	18,8	472	2000

SXA203

Mn₂ [Nm]	i	Pn₁ [kW]	n₂ [rpm]	Fr1 [N]	Fr2 [N]
103	51,32	0,25	22,2	472	2000
103	59,65	0,22	19,1	472	2000
103	72,27	0,18	15,8	472	2000
103	89,94	0,14	12,7	472	2000
103	110,51	0,12	10,3	472	2000
103	133,88	0,10	8,5	472	2000
103	166,61	0,08	6,8	472	2000
103	193,30	0,07	5,9	472	2000
103	240,55	0,05	4,7	472	2000
103	279,07	0,05	4,1	472	2000
103	347,29	0,04	3,3	472	2000

SXA241

Mn₂ [Nm]	i	Pn₁ [kW]	n₂ [rpm]	Fr1 [N]	Fr2 [N]
41	1,45	3,45	787,1	330	1510
41	2,94	1,70	387,2	330	1913
51	4,75	1,31	240,0	330	2243
51	5,45	1,14	209,0	330	2349
41	7,88	0,63	144,8	330	2655
26	10,83	0,29	105,2	330	2953

SXA252

Mn₂ [Nm]	i	Pn₁ [kW]	n₂ [rpm]	Fr1 [N]	Fr2 [N]
144	5,38	3,28	211,9	330	2472
144	6,52	2,71	174,9	409	2635
133	8,11	2,02	140,6	369	2834
154	10,94	1,73	104,2	424	3131
144	13,25	1,33	86,0	381	3338
144	16,49	1,07	69,1	398	3590
154	20,26	0,93	56,3	432	3846
159	24,55	0,80	46,4	422	4100
144	30,55	0,58	37,3	359	4300
154	35,44	0,53	32,2	457	4300
144	44,10	0,40	25,9	371	4300
118	48,75	0,30	23,4	416	4300
133	60,67	0,27	18,8	428	4300

SXA253

Mn₂ [Nm]	i	Pn₁ [kW]	n₂ [rpm]	Fr1 [N]	Fr2 [N]
154	51,32	0,38	22,2	427	4300
154	59,65	0,32	19,1	426	4300
154	72,27	0,27	15,8	409	4300
154	89,94	0,21	12,7	398	4300
154	110,51	0,17	10,3	403	4300
154	133,88	0,14	8,5	409	4300
154	166,61	0,12	6,8	398	4300
154	193,30	0,10	5,9	427	4300
154	240,55	0,08	4,7	398	4300
154	279,07	0,07	4,1	427	4300
154	347,29	0,06	3,3	398	4300

SXA281

Mn₂ [Nm]	i	Pn₁ [kW]	n₂ [rpm]	Fr1 [N]	Fr2 [N]
92	1,33	8,43	855,0	550	2198
92	2,50	4,50	456,0	550	2711
113	4,38	3,13	260,0	550	3269
92	7,75	1,45	147,1	550	3953
72	10,67	0,82	106,9	550	4397

SXA302

Mn₂ [Nm]	i	Pn₁ [kW]	n₂ [rpm]	Fr1 [N]	Fr2 [N]
246	5,14	5,89	221,7	550	3044
246	6,22	4,87	183,2	682	3243
246	7,73	3,92	147,4	664	3487
308	9,64	3,93	118,2	827	3753
287	11,67	3,03	97,7	636	3999
287	14,50	2,44	78,6	664	4300
308	16,91	2,24	67,4	758	4526
297	20,46	1,79	55,7	659	4823
287	25,43	1,39	44,8	641	5185
308	29,89	1,27	38,1	752	5472
308	36,17	1,05	31,5	682	5831
287	44,95	0,79	25,4	620	6000
308	49,78	0,76	22,9	798	6000
297	61,87	0,59	18,4	642	6000

SXA303

Mn₂ [Nm]	i	Pn₁ [kW]	n₂ [rpm]	Fr1 [N]	Fr2 [N]
308	49,80	0,78	22,9	330	6000
308	60,25	0,64	18,9	409	6000
308	74,88	0,52	15,2	398	6000
308	88,02	0,44	12,9	421	6000
308	111,61	0,35	10,2	390	6000
308	138,71	0,28	8,2	398	6000
308	163,05	0,24	7,0	421	6000
308	200,27	0,19	5,7	403	6000
308	235,41	0,16	4,8	421	6000
308	284,81	0,14	4,0	409	6000
308	353,98	0,11	3,2	398	6000

SXA402

Mn₂ [Nm]	i	Pn₁ [kW]	n₂ [rpm]	Fr1 [N]	Fr2 [N]
390	5,14	9,32	221,7	550	4492
390	6,22	7,71	183,2	682	4787
390	7,73	6,20	147,4	664	5147
472	9,64	6,02	118,2	801	5540
451	11,67	4,76	97,7	652	5903
431	14,50	3,66	78,6	634	6346
513	16,91	3,73	67,4	842	6681
472	20,46	2,84	55,7	627	7119
441	25,43	2,13	44,8	621	7654
461	29,89	1,90	38,1	734	8000
482	36,17	1,64	31,5	712	8000
451	44,95	1,24	25,4	621	8000
379	49,78	0,94	22,9	626	8000
451	61,87	0,90	18,4	789	8000

SXA403

Mn₂ [Nm]	i	Pn₁ [kW]	n₂ [rpm]	Fr1 [N]	Fr2 [N]
492	49,80	1,24	22,9	330	8000
492	60,25	1,03	18,9	409	8000
492	74,88	0,83	15,2	398	8000
492	88,02	0,70	12,9	421	8000
492	111,61	0,55	10,2	390	8000
492	138,71	0,45	8,2	398	8000
492	163,05	0,38	7,0	421	8000
492	200,27	0,31	5,7	403	8000
492	235,41	0,26	4,8	421	8000
492	284,81	0,22	4,0	409	8000
492	353,98	0,17	3,2	398	8000

SXH191

Mn₂ [Nm]	i	Pn₁ [kW]	n₂ [rpm]	Fr1 [N]	Fr2 [N]
29	1,44	2,43	793,0	940	674
29	2,00	1,75	570,0	1061	768
35	2,55	1,67	447,9	1075	815
35	2,71	1,56	420,0	1094	836
45	3,11	1,77	367,1	1057	834
46	3,59	1,57	317,7	1093	881
46	4,20	1,34	271,4	1134	940
46	5,00	1,12	228,0	1171	1000

SXH191

Mn₂ [Nm]	i	Pn₁ [kW]	n₂ [rpm]	Fr1 [N]	Fr2 [N]
51	5,50	1,14	207,3	1169	1000
51	6,09	1,03	187,2	1189	1000
51	7,67	0,81	148,7	1226	1000
56	8,75	0,79	130,3	1231	1000

SXH241

Mn₂ [Nm]	i	Pn₁ [kW]	n₂ [rpm]	Fr1 [N]	Fr2 [N]
46	1,27	4,42	895,7	739	1694
67	1,42	5,72	803,2	545	1644
67	2,13	3,82	536,5	827	1938
77	2,57	3,64	443,3	853	2030
87	3,17	3,35	360,0	896	2147
92	3,69	3,05	309,1	941	2255
92	4,00	2,81	285,0	977	2333
97	4,77	2,49	239,0	1024	2476
103	5,25	2,38	217,1	1041	2500
103	5,82	2,15	195,9	1075	2500
103	7,33	1,70	155,4	1141	2500
103	8,38	1,49	136,1	1172	2500

SXH252

Mn₂ [Nm]	i	Pn₁ [kW]	n₂ [rpm]	Fr1 [N]	Fr2 [N]
97	4,70	2,55	242,8	682	3253
108	6,23	2,13	183,0	803	3568
128	7,76	2,03	146,9	829	3712
133	8,87	1,85	128,6	881	3887
144	10,14	1,74	112,4	912	4022
149	11,76	1,56	96,9	964	4248
174	13,72	1,56	83,1	962	4287
174	14,66	1,46	77,8	990	4422
195	16,77	1,43	68,0	1000	4495
205	18,20	1,39	62,6	1012	4569
205	19,90	1,27	57,3	1045	4771
205	22,68	1,11	50,3	1089	5079
205	23,83	1,06	47,8	1105	5199
205	26,39	0,96	43,2	1134	5453
205	29,70	0,85	38,4	1164	5500
205	32,89	0,77	34,7	1187	5500
205	37,92	0,67	30,1	1216	5500

SXH252

Mn₂ [Nm]	i	Pn₁ [kW]	n₂ [rpm]	Fr1 [N]	Fr2 [N]
205	41,40	0,61	27,5	1232	5500
205	47,25	0,53	24,1	1253	5500

SXH253

Mn₂ [Nm]	i	Pn₁ [kW]	n₂ [rpm]	Fr1 [N]	Fr2 [N]
205	53,59	0,48	21,3	1271	5500
205	66,78	0,39	17,1	1297	5500
205	74,84	0,34	15,2	1308	5500
205	99,27	0,26	11,5	1332	5500
205	108,05	0,24	10,6	1338	5500
205	123,71	0,21	9,2	1346	5500
205	143,33	0,18	8,0	1354	5500
205	178,61	0,14	6,4	1364	5500
205	197,17	0,13	5,8	1368	5500
205	245,70	0,10	4,6	1375	5500

SXH281

Mn₂ [Nm]	i	Pn₁ [kW]	n₂ [rpm]	Fr1 [N]	Fr2 [N]
103	1,34	9,29	848,4	1847	2457
133	2,13	7,64	536,5	2047	2808
144	2,57	6,80	443,3	2150	2986
144	3,17	5,52	360,0	2305	3242
154	3,69	5,08	309,1	2358	3399
154	4,00	4,68	285,0	2407	3510
164	4,77	4,19	239,0	2467	3700
174	5,25	4,04	217,1	2484	3700
174	5,82	3,65	195,9	2532	3700
174	7,33	2,90	155,4	2624	3700
174	8,38	2,54	136,1	2668	3700

SXH302

Mn₂ [Nm]	i	Pn₁ [kW]	n₂ [rpm]	Fr1 [N]	Fr2 [N]
164	5,46	3,70	208,7	409	4219
164	7,19	2,81	158,6	654	4753
215	8,91	2,97	127,9	608	4783
246	10,31	2,94	110,5	619	4855
256	11,80	2,67	96,6	691	5087

SXH302

Mn₂ [Nm]	i	Pn₁ [kW]	n₂ [rpm]	Fr1 [N]	Fr2 [N]
256	13,57	2,32	84,0	787	5431
256	15,96	1,98	71,4	883	5850
256	19,00	1,66	60,0	971	6328
256	21,00	1,50	54,3	1014	6600
267	23,15	1,42	49,2	1038	6600
267	26,04	1,26	43,8	1081	6600
287	27,50	1,28	41,5	1074	6600
287	30,45	1,16	37,4	1109	6600
287	34,10	1,04	33,4	1143	6600
287	37,76	0,94	30,2	1170	6600
287	43,75	0,81	26,1	1206	6600
287	47,53	0,74	24,0	1223	6600
287	54,25	0,65	21,0	1249	6600

SXH303

Mn₂ [Nm]	i	Pn₁ [kW]	n₂ [rpm]	Fr1 [N]	Fr2 [N]
308	61,83	0,63	18,4	1260	6600
308	76,67	0,50	14,9	1292	6600
308	87,05	0,44	13,1	1309	6600
308	114,55	0,34	9,9	1337	6600
308	125,69	0,31	9,1	1345	6600
308	142,04	0,27	8,0	1355	6600
308	165,38	0,23	6,9	1365	6600
308	205,07	0,19	5,6	1378	6600
308	227,50	0,17	5,0	1383	6600
308	282,10	0,14	4,0	1391	6600

SXH352

Mn₂ [Nm]	i	Pn₁ [kW]	n₂ [rpm]	Fr1 [N]	Fr2 [N]
267	5,73	5,73	199,1	231	5228
297	6,89	5,31	165,4	317	5469
349	8,53	5,03	133,7	373	5675
379	9,56	4,88	119,2	403	5781
400	11,51	4,28	99,0	527	6174
441	14,24	3,81	80,1	622	6550
461	16,59	3,42	68,7	701	6910
472	18,00	3,22	63,3	741	7116
472	19,97	2,91	57,1	806	7478
482	21,67	2,74	52,6	841	7702

SXH352

Mn₂ [Nm]	i	Pn₁ [kW]	n₂ [rpm]	Fr1 [N]	Fr2 [N]
482	24,71	2,40	46,1	909	8000
502	26,18	2,36	43,5	917	8000
502	28,44	2,17	40,1	955	8000
502	31,52	1,96	36,2	999	8000
502	33,00	1,87	34,5	1017	8000
502	38,98	1,59	29,2	1075	8000
502	45,36	1,36	25,1	1121	8000
502	49,13	1,26	23,2	1142	8000
502	56,11	1,10	20,3	1174	8000

SXH353

Mn₂ [Nm]	i	Pn₁ [kW]	n₂ [rpm]	Fr1 [N]	Fr2 [N]
513	58,81	1,10	19,4	1180	8000
513	72,75	0,89	15,7	1222	8000
513	90,51	0,71	12,6	1256	8000
513	108,95	0,59	10,5	1280	8000
513	134,76	0,48	8,5	1303	8000
513	157,29	0,41	7,2	1317	8000
513	194,56	0,33	5,9	1332	8000
513	216,38	0,30	5,3	1339	8000
513	267,65	0,24	4,3	1350	8000

SXH381

Mn₂ [Nm]	i	Pn₁ [kW]	n₂ [rpm]	Fr1 [N]	Fr2 [N]
226	1,30	21,18	878,8	653	2649
246	1,43	20,98	798,0	675	2708
256	1,93	16,17	590,4	1217	3027
302	2,54	14,50	448,5	1406	3272
323	3,25	12,10	350,8	1675	3563
328	3,72	10,74	306,3	1829	3748
328	4,00	9,99	285,0	1913	3856
328	4,67	8,56	244,3	2074	4000
338	5,54	7,44	205,8	2201	4000
349	6,08	6,98	187,4	2253	4000
359	7,50	5,83	152,0	2382	4000
359	8,44	5,18	135,0	2456	4000

SXH402

Mn₂ [Nm]	i	Pn₁ [kW]	n₂ [rpm]	Fr₁ [N]	Fr₂ [N]
513	5,38	11,74	212,1	803	8456
564	5,93	11,69	192,1	811	8542
564	7,39	9,39	154,2	1211	9439
615	8,50	8,91	134,1	1295	9748
615	9,39	8,07	121,5	1441	10196
666	11,69	7,02	97,5	1623	10942
718	12,67	6,97	90,0	1630	11047
718	14,75	5,99	77,3	1802	11839
820	16,29	6,20	70,0	1765	11780
851	17,67	5,93	64,5	1812	12000
871	20,28	5,29	56,2	1923	12000
871	23,27	4,61	49,0	2041	12000
871	25,70	4,17	44,4	2117	12000
820	29,33	3,44	38,9	2244	12000
871	32,00	3,35	35,6	2259	12000
820	36,99	2,73	30,8	2368	12000
871	40,33	2,66	28,3	2380	12000
871	46,06	2,33	24,8	2437	12000

SXH403

Mn₂ [Nm]	i	Pn₁ [kW]	n₂ [rpm]	Fr₁ [N]	Fr₂ [N]
871	49,45	2,22	23,1	2465	12000
871	54,61	2,01	20,9	2500	12000
871	68,00	1,61	16,8	2568	12000
871	85,82	1,28	13,3	2625	12000
871	94,76	1,16	12,0	2645	12000
871	118,00	0,93	9,7	2684	12000
871	135,40	0,81	8,4	2704	12000
871	149,51	0,73	7,6	2717	12000
871	170,67	0,64	6,7	2732	12000
871	186,18	0,59	6,1	2742	12000
871	215,21	0,51	5,3	2755	12000
871	234,67	0,47	4,9	2762	12000
871	268,00	0,41	4,2	2772	12000

SXH481

Mn₂ [Nm]	i	Pn₁ [kW]	n₂ [rpm]	Fr₁ [N]	Fr₂ [N]
451	1,29	42,51	881,9	1542	3251
492	1,41	42,51	808,4	1542	3309

SXH481

Mn₂ [Nm]	i	Pn₁ [kW]	n₂ [rpm]	Fr1 [N]	Fr2 [N]
492	2,03	29,50	561,0	2283	3825
589	2,48	28,94	459,4	2315	4001
625	3,27	23,28	348,3	2638	4417
625	3,70	20,59	308,1	2791	4637
625	4,22	18,04	270,0	2936	4885
636	4,88	15,88	233,8	3059	5000
636	5,27	14,70	216,5	3126	5000
656	6,23	12,83	183,0	3233	5000
666	7,55	10,76	151,1	3351	5000
666	8,40	9,66	135,7	3414	5000

SXH502

Mn₂ [Nm]	i	Pn₁ [kW]	n₂ [rpm]	Fr1 [N]	Fr2 [N]
718	5,39	16,39	211,6	761	10594
718	5,95	14,86	191,7	971	11056
820	7,39	13,65	154,2	1136	11669
820	8,02	12,59	142,1	1283	12092
923	8,85	12,83	128,8	1249	12152
1128	11,01	12,61	103,6	1279	12448
1435	13,50	13,09	84,4	1214	12282
1538	14,90	12,71	76,5	1266	12441
1538	16,62	11,39	68,6	1446	13164
1538	18,53	10,22	61,5	1607	13909
1640	19,38	10,42	58,8	1580	13760
1640	21,39	9,44	53,3	1714	14468
1640	22,80	8,86	50,0	1794	14941
1640	26,60	7,59	42,9	1967	16125
1640	27,88	7,24	40,9	2015	16498
1640	31,15	6,48	36,6	2120	17402
1640	34,38	5,87	33,2	2203	18000
1640	38,70	5,22	29,4	2293	18000
1640	42,75	4,72	26,7	2361	18000
1640	48,13	4,19	23,7	2433	18000

SXH503

Mn₂ [Nm]	i	Pn₁ [kW]	n₂ [rpm]	Fr1 [N]	Fr2 [N]
1640	56,53	3,65	20,2	2518	18000
1845	71,48	3,25	15,9	2572	18000
1845	78,87	2,94	14,4	2613	18000

SXH503

Mn₂ [Nm]	i	Pn₁ [kW]	n₂ [rpm]	Fr1 [N]	Fr2 [N]
1845	85,56	2,71	13,3	2644	18000
1845	98,09	2,37	11,6	2691	18000
1845	112,78	2,06	10,1	2732	18000
1845	124,44	1,86	9,2	2758	18000
1845	142,15	1,63	8,0	2789	18000
1845	154,76	1,50	7,4	2807	18000
1845	162,35	1,43	7,0	2816	18000
1845	179,13	1,30	6,4	2834	18000
1845	195,07	1,19	5,8	2848	18000
1845	222,78	1,04	5,1	2868	18000

SXH551

Mn₂ [Nm]	i	Pn₁ [kW]	n₂ [rpm]	Fr1 [N]	Fr2 [N]
697	1,23	69,00	926,2	647	4079
759	1,42	65,24	804,7	826	4247
759	1,81	51,16	631,1	1497	4670
800	2,00	48,71	570,0	1613	4816
841	2,48	41,29	459,7	1966	5192
841	2,95	34,66	385,9	2282	5555
861	3,14	33,38	362,7	2343	5668
871	3,58	29,66	318,5	2520	5947
871	4,12	25,78	276,9	2705	6000
892	4,80	22,64	237,5	2855	6000
902	5,21	21,08	218,6	2929	6000
923	6,25	17,98	182,4	3076	6000
1025	7,70	16,22	148,1	3160	6000

SXH602

Mn₂ [Nm]	i	Pn₁ [kW]	n₂ [rpm]	Fr1 [N]	Fr2 [N]
1845	5,26	43,16	216,6	1672	11427
2050	6,36	39,71	179,4	1865	11846
2358	7,05	41,16	161,7	1784	11371
2563	8,27	38,13	137,8	1954	11706
2870	9,99	35,36	114,1	2109	11930
3075	11,09	34,15	102,8	2177	11956
3178	13,32	29,36	85,6	2445	13061
3280	16,09	25,10	70,8	2684	14302
3280	17,85	22,62	63,9	2823	15244
3280	19,85	20,35	57,4	2951	16239

SXH602

Mn₂ [Nm]	i	Pn₁ [kW]	n₂ [rpm]	Fr1 [N]	Fr2 [N]
3280	21,44	18,83	53,2	3036	16988
3383	23,97	17,37	47,6	3117	17712
3383	25,89	16,08	44,0	3190	18508
3383	28,73	14,50	39,7	3279	19612
3280	30,72	13,14	37,1	3354	20734
3280	34,20	11,81	33,3	3429	21942
2870	38,45	9,19	29,6	3576	22000
3383	41,30	10,08	27,6	3526	22000
3383	45,82	9,09	24,9	3582	22000
3383	51,52	8,08	22,1	3638	22000

SXH603

Mn₂ [Nm]	i	Pn₁ [kW]	n₂ [rpm]	Fr1 [N]	Fr2 [N]
3588	55,47	8,13	20,6	3645	22000
3588	69,69	6,47	16,4	3736	22000
3588	79,82	5,65	14,3	3781	22000
3588	84,16	5,36	13,6	3797	22000
3588	93,36	4,83	12,2	3826	22000
3588	100,07	4,51	11,4	3844	22000
3588	120,84	3,73	9,4	3887	22000
3588	134,06	3,36	8,5	3907	22000
3588	143,42	3,15	8,0	3919	22000
3588	160,82	2,80	7,1	3937	22000
3588	181,07	2,49	6,3	3955	22000
3588	194,21	2,32	5,9	3964	22000
3588	215,45	2,09	5,3	3977	22000
3690	242,59	1,91	4,7	3986	22000

SXH702

Mn₂ [Nm]	i	Pn₁ [kW]	n₂ [rpm]	Fr1 [N]	Fr2 [N]
3075	5,27	71,77	216,1	697	16577
3280	5,78	69,92	197,4	783	16729
3690	7,05	64,45	161,7	1037	17284
3793	7,74	60,31	147,2	1229	17880
3895	8,48	56,57	134,5	1402	18473
4100	10,35	48,79	110,2	1764	19943
4510	12,66	43,85	90,0	1993	20932
4715	13,86	41,87	82,2	2085	21359
4920	16,92	35,80	67,4	2367	23209

SXH702

Mn₂ [Nm]	i	Pn₁ [kW]	n₂ [rpm]	Fr1 [N]	Fr2 [N]
5125	19,32	32,66	59,0	2513	24314
5125	20,57	30,67	55,4	2605	25176
5125	22,52	28,01	50,6	2728	26455
5125	24,47	25,79	46,6	2832	27657
5125	27,49	22,95	41,5	2964	29406
5125	29,86	21,13	38,2	3048	30000
5125	33,00	19,12	34,5	3141	30000
5125	36,13	17,46	31,6	3218	30000
5125	44,10	14,31	25,9	3365	30000

SXH703

Mn₂ [Nm]	i	Pn₁ [kW]	n₂ [rpm]	Fr1 [N]	Fr2 [N]
5125	45,77	14,08	24,9	3389	30000
5125	55,87	11,53	20,4	3505	30000
5125	67,32	9,57	16,9	3594	30000
5125	73,71	8,74	15,5	3632	30000
5125	83,34	7,73	13,7	3678	30000
5125	89,97	7,16	12,7	3704	30000
5125	100,29	6,43	11,4	3737	30000
5125	108,34	5,95	10,5	3759	30000
5125	118,62	5,43	9,6	3782	30000
5125	128,18	5,03	8,9	3801	30000
5125	144,79	4,45	7,9	3827	30000
5125	155,22	4,15	7,3	3840	30000
5125	172,80	3,73	6,6	3860	30000
5125	189,19	3,41	6,0	3874	30000
5125	207,43	3,11	5,5	3888	30000
5125	230,92	2,79	4,9	3902	30000

SXH902

Mn₂ [Nm]	i	Pn₁ [kW]	n₂ [rpm]	Fr1 [N]	Fr2 [N]
4715	5,27	110,06	216,1	4966	21055
5023	6,36	97,30	179,4	5610	22389
5125	7,04	89,59	161,9	5999	23386
5433	7,84	85,28	145,4	6216	23880
6663	9,45	86,80	120,6	6140	22773
7380	10,47	86,76	108,8	6142	22114
7483	13,07	70,47	87,2	6963	25197
7995	15,75	62,50	72,4	7366	26714

SXH902

Mn₂ [Nm]	i	Pn₁ [kW]	n₂ [rpm]	Fr1 [N]	Fr2 [N]
8098	17,45	57,12	65,3	7638	28172
8200	20,04	50,37	56,9	7978	30336
8200	24,15	41,80	47,2	8410	33854
8200	26,76	37,72	42,6	8616	35889
8200	32,24	31,31	35,4	8940	39759
8200	38,85	25,99	29,3	9208	43880
8200	43,05	23,45	26,5	9337	46264

SXH903

Mn₂ [Nm]	i	Pn₁ [kW]	n₂ [rpm]	Fr1 [N]	Fr2 [N]
8200	48,35	21,33	23,6	9466	49054
8200	53,53	19,26	21,3	9568	51593
8200	59,22	17,41	19,2	9659	54200
8200	62,99	16,37	18,1	9711	55000
8200	71,35	14,45	16,0	9806	55000
8200	79,07	13,04	14,4	9876	55000
8200	86,43	11,93	13,2	9930	55000
8200	96,21	10,72	11,8	9990	55000
8200	104,51	9,87	10,9	10032	55000
8200	115,92	8,89	9,8	10080	55000
8200	128,47	8,03	8,9	10123	55000
8200	139,55	7,39	8,2	10155	55000
8200	154,33	6,68	7,4	10190	55000
8200	185,96	5,54	6,1	10246	55000
8200	206,08	5,00	5,5	10273	55000

SXA191

Mn₂ [Nm]	i	Pn₁ [kW]	n₂ [rpm]	Fr1 [N]	Fr2 [N]
26	1,45	1,74	621,4	330	593
26	2,94	0,86	305,7	330	751
32	4,75	0,64	189,5	330	881
32	5,45	0,56	165,0	330	922
26	7,88	0,32	114,3	330	1042
21	10,83	0,19	83,1	330	1100

SXA202

Mn₂ [Nm]	i	Pn₁ [kW]	n₂ [rpm]	Fr1 [N]	Fr2 [N]
84	5,38	1,52	167,3	330	1270
84	6,52	1,25	138,1	409	1354
79	8,11	0,94	111,0	373	1457
95	10,94	0,84	82,3	441	1609
84	13,25	0,62	67,9	363	1716
84	16,49	0,50	54,6	398	1845
95	20,26	0,45	44,4	453	1976
89	24,55	0,35	36,7	386	2000
84	30,55	0,27	29,5	374	2000
95	35,44	0,26	25,4	480	2000
95	44,10	0,21	20,4	398	2000
84	48,75	0,17	18,5	398	2000
100	60,67	0,16	14,8	472	2000

SXA203

Mn₂ [Nm]	i	Pn₁ [kW]	n₂ [rpm]	Fr1 [N]	Fr2 [N]
105	51,32	0,20	17,5	472	2000
105	59,65	0,17	15,1	472	2000
105	72,27	0,14	12,4	472	2000
105	89,94	0,12	10,0	472	2000
105	110,51	0,09	8,1	472	2000
105	133,88	0,08	6,7	472	2000
105	166,61	0,06	5,4	472	2000
105	193,30	0,05	4,7	472	2000
105	240,55	0,04	3,7	472	2000
105	279,07	0,04	3,2	472	2000
105	347,29	0,03	2,6	472	2000

SXA241

Mn₂ [Nm]	i	Pn₁ [kW]	n₂ [rpm]	Fr1 [N]	Fr2 [N]
42	1,45	2,79	621,4	330	1634
42	2,94	1,37	305,7	330	2069
53	4,75	1,06	189,5	330	2427
53	5,45	0,93	165,0	330	2542
42	7,88	0,51	114,3	330	2873
26	10,83	0,23	83,1	330	3000

SXA252

Mn₂ [Nm]	i	Pn₁ [kW]	n₂ [rpm]	Fr1 [N]	Fr2 [N]
147	5,38	2,66	167,3	330	2674
147	6,52	2,19	138,1	409	2851
137	8,11	1,64	111,0	369	3067
158	10,94	1,40	82,3	424	3388
147	13,25	1,08	67,9	381	3612
147	16,49	0,87	54,6	398	3885
158	20,26	0,76	44,4	432	4161
163	24,55	0,64	36,7	422	4300
147	30,55	0,47	29,5	359	4300
158	35,44	0,43	25,4	457	4300
147	44,10	0,32	20,4	371	4300
121	48,75	0,24	18,5	416	4300
137	60,67	0,22	14,8	428	4300

SXA253

Mn₂ [Nm]	i	Pn₁ [kW]	n₂ [rpm]	Fr1 [N]	Fr2 [N]
158	51,32	0,30	17,5	427	4300
158	59,65	0,26	15,1	426	4300
158	72,27	0,22	12,4	409	4300
158	89,94	0,17	10,0	398	4300
158	110,51	0,14	8,1	403	4300
158	133,88	0,12	6,7	409	4300
158	166,61	0,09	5,4	398	4300
158	193,30	0,08	4,7	427	4300
158	240,55	0,06	3,7	398	4300
158	279,07	0,06	3,2	427	4300
158	347,29	0,05	2,6	398	4300

SXA281

Mn₂ [Nm]	i	Pn₁ [kW]	n₂ [rpm]	Fr1 [N]	Fr2 [N]
95	1,33	6,82	675,0	550	2379
95	2,50	3,64	360,0	550	2933
116	4,38	2,53	205,3	550	3537
95	7,75	1,17	116,1	550	4277
74	10,67	0,66	84,4	550	4500

SXA302

Mn₂ [Nm]	i	Pn₁ [kW]	n₂ [rpm]	Fr1 [N]	Fr2 [N]
252	5,14	4,76	175,0	550	3293
252	6,22	3,94	144,6	682	3509
252	7,73	3,17	116,4	664	3773
315	9,64	3,18	93,3	827	4061
294	11,67	2,45	77,1	636	4327
294	14,50	1,97	62,1	664	4652
315	16,91	1,81	53,2	758	4897
305	20,46	1,45	44,0	659	5218
294	25,43	1,12	35,4	641	5610
315	29,89	1,02	30,1	752	5921
315	36,17	0,85	24,9	682	6000
294	44,95	0,64	20,0	620	6000
315	49,78	0,62	18,1	798	6000
305	61,87	0,48	14,6	642	6000

SXA303

Mn₂ [Nm]	i	Pn₁ [kW]	n₂ [rpm]	Fr1 [N]	Fr2 [N]
315	49,80	0,63	18,1	330	6000
315	60,25	0,52	14,9	409	6000
315	74,88	0,42	12,0	398	6000
315	88,02	0,36	10,2	421	6000
315	111,61	0,28	8,1	390	6000
315	138,71	0,23	6,5	398	6000
315	163,05	0,19	5,5	421	6000
315	200,27	0,16	4,5	403	6000
315	235,41	0,13	3,8	421	6000
315	284,81	0,11	3,2	409	6000
315	353,98	0,09	2,5	398	6000

SXA402

Mn₂ [Nm]	i	Pn₁ [kW]	n₂ [rpm]	Fr1 [N]	Fr2 [N]
399	5,14	7,54	175,0	550	4861
399	6,22	6,23	144,6	682	5179
399	7,73	5,01	116,4	664	5569
483	9,64	4,87	93,3	801	5994
462	11,67	3,85	77,1	652	6387
441	14,50	2,96	62,1	634	6867
525	16,91	3,02	53,2	842	7228
483	20,46	2,29	44,0	627	7702
452	25,43	1,73	35,4	621	8000
473	29,89	1,54	30,1	734	8000
494	36,17	1,33	24,9	712	8000
462	44,95	1,00	20,0	621	8000
389	49,78	0,76	18,1	626	8000
462	61,87	0,73	14,6	789	8000

SXA403

Mn₂ [Nm]	i	Pn₁ [kW]	n₂ [rpm]	Fr1 [N]	Fr2 [N]
504	49,80	1,00	18,1	330	8000
504	60,25	0,83	14,9	409	8000
504	74,88	0,67	12,0	398	8000
504	88,02	0,57	10,2	421	8000
504	111,61	0,45	8,1	390	8000
504	138,71	0,36	6,5	398	8000
504	163,05	0,31	5,5	421	8000
504	200,27	0,25	4,5	403	8000
504	235,41	0,21	3,8	421	8000
504	284,81	0,18	3,2	409	8000
504	353,98	0,14	2,5	398	8000

SXH191

Mn₂ [Nm]	i	Pn₁ [kW]	n₂ [rpm]	Fr1 [N]	Fr2 [N]
29	1,44	1,97	626,1	930	737
29	2,00	1,41	450,0	1054	838
36	2,55	1,35	353,6	1068	891
36	2,71	1,27	331,6	1087	914
46	3,11	1,43	289,8	1050	914
47	3,59	1,27	250,8	1087	965
47	4,20	1,08	214,3	1128	1000
47	5,00	0,91	180,0	1167	1000

SXH191

Mn₂ [Nm]	i	Pn₁ [kW]	n₂ [rpm]	Fr1 [N]	Fr2 [N]
53	5,50	0,92	163,6	1164	1000
53	6,09	0,83	147,8	1184	1000
53	7,67	0,66	117,4	1223	1000
58	8,75	0,63	102,9	1228	1000

SXH241

Mn₂ [Nm]	i	Pn₁ [kW]	n₂ [rpm]	Fr1 [N]	Fr2 [N]
47	1,27	3,57	707,1	723	1849
68	1,42	4,63	634,1	525	1801
68	2,13	3,09	423,5	813	2120
79	2,57	2,95	350,0	840	2223
89	3,17	2,71	284,2	884	2353
95	3,69	2,47	244,1	930	2472
95	4,00	2,27	225,0	966	2500
100	4,77	2,01	188,7	1015	2500
105	5,25	1,92	171,4	1032	2500
105	5,82	1,74	154,7	1067	2500
105	7,33	1,38	122,7	1135	2500
105	8,38	1,21	107,5	1167	2500

SXH252

Mn₂ [Nm]	i	Pn₁ [kW]	n₂ [rpm]	Fr1 [N]	Fr2 [N]
100	4,70	2,06	191,7	665	3578
110	6,23	1,72	144,5	788	3925
131	7,76	1,64	115,9	815	4093
137	8,87	1,50	101,5	868	4285
147	10,14	1,41	88,7	900	4438
152	11,76	1,26	76,5	953	4685
179	13,72	1,26	65,6	951	4742
179	14,66	1,18	61,4	980	4889
200	16,77	1,16	53,7	990	4980
210	18,20	1,12	49,5	1002	5066
210	19,90	1,03	45,2	1037	5285
210	22,68	0,90	39,7	1082	5500
210	23,83	0,86	37,8	1097	5500
210	26,39	0,77	34,1	1127	5500
210	29,70	0,69	30,3	1158	5500
210	32,89	0,62	27,4	1182	5500
210	37,92	0,54	23,7	1211	5500

SXH252

Mn₂ [Nm]	i	Pn₁ [kW]	n₂ [rpm]	Fr1 [N]	Fr2 [N]
210	41,40	0,49	21,7	1227	5500
210	47,25	0,43	19,1	1249	5500

SXH253

Mn₂ [Nm]	i	Pn₁ [kW]	n₂ [rpm]	Fr1 [N]	Fr2 [N]
210	53,59	0,39	16,8	1267	5500
210	66,78	0,31	13,5	1294	5500
210	74,84	0,28	12,0	1306	5500
210	99,27	0,21	9,1	1330	5500
210	108,05	0,19	8,3	1336	5500
210	123,71	0,17	7,3	1345	5500
210	143,33	0,15	6,3	1353	5500
210	178,61	0,12	5,0	1363	5500
210	197,17	0,11	4,6	1367	5500
210	245,70	0,08	3,7	1374	5500

SXH281

Mn₂ [Nm]	i	Pn₁ [kW]	n₂ [rpm]	Fr1 [N]	Fr2 [N]
105	1,34	7,52	669,8	1819	2682
137	2,13	6,18	423,5	2025	3068
147	2,57	5,50	350,0	2129	3264
147	3,17	4,47	284,2	2289	3540
158	3,69	4,11	244,1	2343	3700
158	4,00	3,79	225,0	2393	3700
168	4,77	3,39	188,7	2454	3700
179	5,25	3,27	171,4	2472	3700
179	5,82	2,95	154,7	2522	3700
179	7,33	2,34	122,7	2615	3700
179	8,38	2,05	107,5	2660	3700

SXH302

Mn₂ [Nm]	i	Pn₁ [kW]	n₂ [rpm]	Fr1 [N]	Fr2 [N]
168	5,46	2,99	164,8	384	4643
168	7,19	2,27	125,2	635	5221
221	8,91	2,40	101,0	588	5278
252	10,31	2,37	87,3	599	5371
263	11,80	2,16	76,3	673	5626

SXH302

Mn₂ [Nm]	i	Pn₁ [kW]	n₂ [rpm]	Fr1 [N]	Fr2 [N]
263	13,57	1,88	66,3	772	5998
263	15,96	1,60	56,4	870	6452
263	19,00	1,34	47,4	959	6600
263	21,00	1,21	42,9	1004	6600
273	23,15	1,15	38,9	1028	6600
273	26,04	1,02	34,6	1073	6600
294	27,50	1,04	32,7	1065	6600
294	30,45	0,94	29,6	1101	6600
294	34,10	0,84	26,4	1136	6600
294	37,76	0,76	23,8	1164	6600
294	43,75	0,65	20,6	1200	6600
294	47,53	0,60	18,9	1218	6600
294	54,25	0,53	16,6	1244	6600

SXH303

Mn₂ [Nm]	i	Pn₁ [kW]	n₂ [rpm]	Fr1 [N]	Fr2 [N]
315	61,83	0,51	14,6	1256	6600
315	76,67	0,41	11,7	1289	6600
315	87,05	0,36	10,3	1306	6600
315	114,55	0,27	7,9	1335	6600
315	125,69	0,25	7,2	1343	6600
315	142,04	0,22	6,3	1353	6600
315	165,38	0,19	5,4	1364	6600
315	205,07	0,15	4,4	1376	6600
315	227,50	0,14	4,0	1381	6600
315	282,10	0,11	3,2	1391	6600

SXH352

Mn₂ [Nm]	i	Pn₁ [kW]	n₂ [rpm]	Fr1 [N]	Fr2 [N]
273	5,73	4,63	157,1	202	5759
305	6,89	4,29	130,6	290	6032
357	8,53	4,07	105,5	348	6274
389	9,56	3,95	94,1	379	6401
410	11,51	3,46	78,2	506	6834
452	14,24	3,08	63,2	603	7256
473	16,59	2,77	54,2	684	7654
483	18,00	2,61	50,0	725	7881
483	19,97	2,35	45,1	792	8000
494	21,67	2,21	41,5	827	8000

SXH352

Mn₂ [Nm]	i	Pn₁ [kW]	n₂ [rpm]	Fr1 [N]	Fr2 [N]
494	24,71	1,94	36,4	897	8000
515	26,18	1,91	34,4	905	8000
515	28,44	1,76	31,6	945	8000
515	31,52	1,59	28,6	989	8000
515	33,00	1,52	27,3	1007	8000
515	38,98	1,28	23,1	1067	8000
515	45,36	1,10	19,8	1114	8000
515	49,13	1,02	18,3	1136	8000
515	56,11	0,89	16,0	1168	8000

SXH353

Mn₂ [Nm]	i	Pn₁ [kW]	n₂ [rpm]	Fr1 [N]	Fr2 [N]
525	58,81	0,89	15,3	1174	8000
525	72,75	0,72	12,4	1217	8000
525	90,51	0,58	9,9	1253	8000
525	108,95	0,48	8,3	1278	8000
525	134,76	0,39	6,7	1301	8000
525	157,29	0,33	5,7	1315	8000
525	194,56	0,27	4,6	1331	8000
525	216,38	0,24	4,2	1338	8000
525	267,65	0,19	3,4	1349	8000

SXH381

Mn₂ [Nm]	i	Pn₁ [kW]	n₂ [rpm]	Fr1 [N]	Fr2 [N]
231	1,30	17,13	693,8	594	2894
252	1,43	16,97	630,0	617	2960
263	1,93	13,08	466,1	1173	3306
310	2,54	11,72	354,1	1366	3577
331	3,25	9,79	276,9	1642	3894
336	3,72	8,68	241,8	1800	4000
336	4,00	8,08	225,0	1886	4000
336	4,67	6,93	192,9	2051	4000
347	5,54	6,02	162,5	2180	4000
357	6,08	5,65	147,9	2233	4000
368	7,50	4,71	120,0	2366	4000
368	8,44	4,19	106,6	2442	4000

SXH402

Mn₂ [Nm]	i	Pn₁ [kW]	n₂ [rpm]	Fr1 [N]	Fr2 [N]
525	5,38	9,49	167,4	753	9322
578	5,93	9,46	151,7	761	9432
578	7,39	7,59	121,8	1171	10402
630	8,50	7,20	105,9	1257	10753
630	9,39	6,52	95,9	1406	11238
683	11,69	5,68	77,0	1593	12000
735	12,67	5,64	71,0	1601	12000
735	14,75	4,84	61,0	1776	12000
840	16,29	5,01	55,3	1739	12000
872	17,67	4,79	50,9	1787	12000
893	20,28	4,28	44,4	1901	12000
893	23,27	3,73	38,7	2022	12000
893	25,70	3,38	35,0	2099	12000
840	29,33	2,78	30,7	2229	12000
893	32,00	2,71	28,1	2245	12000
840	36,99	2,21	24,3	2356	12000
893	40,33	2,15	22,3	2369	12000
893	46,06	1,88	19,5	2427	12000

SXH403

Mn₂ [Nm]	i	Pn₁ [kW]	n₂ [rpm]	Fr1 [N]	Fr2 [N]
893	49,45	1,79	18,2	2456	12000
893	54,61	1,62	16,5	2492	12000
893	68,00	1,30	13,2	2561	12000
893	85,82	1,03	10,5	2619	12000
893	94,76	0,93	9,5	2640	12000
893	118,00	0,75	7,6	2680	12000
893	135,40	0,65	6,7	2701	12000
893	149,51	0,59	6,0	2714	12000
893	170,67	0,52	5,3	2730	12000
893	186,18	0,48	4,8	2739	12000
893	215,21	0,41	4,2	2753	12000
893	234,67	0,38	3,8	2760	12000
893	268,00	0,33	3,4	2770	12000

SXH481

Mn₂ [Nm]	i	Pn₁ [kW]	n₂ [rpm]	Fr1 [N]	Fr2 [N]
462	1,29	34,38	696,2	1483	3554
504	1,41	34,38	638,2	1483	3619

SXH481

Mn₂ [Nm]	i	Pn₁ [kW]	n₂ [rpm]	Fr1 [N]	Fr2 [N]
504	2,03	23,86	442,9	2242	4178
604	2,48	23,40	362,7	2275	4376
641	3,27	18,83	275,0	2606	4829
641	3,70	16,65	243,2	2762	5000
641	4,22	14,59	213,2	2911	5000
651	4,88	12,85	184,6	3037	5000
651	5,27	11,89	170,9	3106	5000
672	6,23	10,37	144,4	3215	5000
683	7,55	8,70	119,3	3336	5000
683	8,40	7,82	107,1	3400	5000

SXH502

Mn₂ [Nm]	i	Pn₁ [kW]	n₂ [rpm]	Fr1 [N]	Fr2 [N]
735	5,39	13,26	167,0	706	11651
735	5,95	12,01	151,4	922	12152
840	7,39	11,04	121,7	1091	12841
840	8,02	10,18	112,2	1241	13300
945	8,85	10,38	101,7	1206	13391
1155	11,01	10,20	81,8	1237	13766
1470	13,50	10,58	66,7	1170	13667
1575	14,90	10,28	60,4	1223	13866
1575	16,62	9,21	54,2	1408	14648
1575	18,53	8,26	48,6	1573	15455
1680	19,38	8,42	46,4	1545	15320
1680	21,39	7,63	42,1	1682	16087
1680	22,80	7,16	39,5	1764	16598
1680	26,60	6,14	33,8	1942	17879
1680	27,88	5,86	32,3	1991	18000
1680	31,15	5,24	28,9	2098	18000
1680	34,38	4,75	26,2	2183	18000
1680	38,70	4,22	23,2	2275	18000
1680	42,75	3,82	21,1	2345	18000
1680	48,13	3,39	18,7	2419	18000

SXH503

Mn₂ [Nm]	i	Pn₁ [kW]	n₂ [rpm]	Fr1 [N]	Fr2 [N]
1680	56,53	2,95	15,9	2506	18000
1890	71,48	2,62	12,6	2562	18000
1890	78,87	2,38	11,4	2604	18000

SXH503

Mn₂ [Nm]	i	Pn₁ [kW]	n₂ [rpm]	Fr1 [N]	Fr2 [N]
1890	85,56	2,19	10,5	2635	18000
1890	98,09	1,91	9,2	2683	18000
1890	112,78	1,66	8,0	2725	18000
1890	124,44	1,51	7,2	2752	18000
1890	142,15	1,32	6,3	2784	18000
1890	154,76	1,21	5,8	2802	18000
1890	162,35	1,16	5,5	2812	18000
1890	179,13	1,05	5,0	2830	18000
1890	195,07	0,96	4,6	2845	18000
1890	222,78	0,84	4,0	2865	18000

SXH551

Mn₂ [Nm]	i	Pn₁ [kW]	n₂ [rpm]	Fr1 [N]	Fr2 [N]
714	1,23	55,80	731,2	567	4454
777	1,42	52,76	635,3	751	4639
777	1,81	41,38	498,2	1437	5096
819	2,00	39,39	450,0	1557	5257
861	2,48	33,40	362,9	1918	5667
861	2,95	28,03	304,6	2242	6000
882	3,14	27,00	286,4	2304	6000
893	3,58	23,99	251,5	2486	6000
893	4,12	20,85	218,6	2675	6000
914	4,80	18,31	187,5	2828	6000
924	5,21	17,05	172,6	2905	6000
945	6,25	14,54	144,0	3055	6000
1050	7,70	13,12	116,9	3141	6000

SXH602

Mn₂ [Nm]	i	Pn₁ [kW]	n₂ [rpm]	Fr1 [N]	Fr2 [N]
1890	5,26	34,90	171,0	1613	12767
2100	6,36	32,11	141,6	1811	13264
2415	7,05	33,29	127,6	1727	12817
2625	8,27	30,84	108,8	1902	13225
2940	9,99	28,60	90,1	2061	13535
3150	11,09	27,62	81,2	2130	13608
3255	13,32	23,74	67,5	2405	14826
3360	16,09	20,30	55,9	2650	16191
3360	17,85	18,29	50,4	2792	17209
3360	19,85	16,45	45,3	2923	18287

SXH602

Mn₂ [Nm]	i	Pn₁ [kW]	n₂ [rpm]	Fr1 [N]	Fr2 [N]
3360	21,44	15,23	42,0	3010	19096
3465	23,97	14,05	37,5	3094	19902
3465	25,89	13,01	34,8	3168	20764
3465	28,73	11,72	31,3	3259	21958
3360	30,72	10,63	29,3	3337	22000
3360	34,20	9,55	26,3	3413	22000
2940	38,45	7,43	23,4	3564	22000
3465	41,30	8,15	21,8	3512	22000
3465	45,82	7,35	19,6	3569	22000
3465	51,52	6,54	17,5	3627	22000

SXH603

Mn₂ [Nm]	i	Pn₁ [kW]	n₂ [rpm]	Fr1 [N]	Fr2 [N]
3675	55,47	6,58	16,2	3634	22000
3675	69,69	5,23	12,9	3727	22000
3675	79,82	4,57	11,3	3774	22000
3675	84,16	4,33	10,7	3790	22000
3675	93,36	3,91	9,6	3820	22000
3675	100,07	3,65	9,0	3838	22000
3675	120,84	3,02	7,5	3882	22000
3675	134,06	2,72	6,7	3902	22000
3675	143,42	2,54	6,3	3915	22000
3675	160,82	2,27	5,6	3934	22000
3675	181,07	2,01	5,0	3951	22000
3675	194,21	1,88	4,6	3961	22000
3675	215,45	1,69	4,2	3974	22000
3780	242,59	1,55	3,7	3984	22000

SXH702

Mn₂ [Nm]	i	Pn₁ [kW]	n₂ [rpm]	Fr1 [N]	Fr2 [N]
3150	5,27	58,04	170,6	616	18507
3360	5,78	56,55	155,8	703	18709
3780	7,05	52,12	127,7	964	19385
3885	7,74	48,77	116,2	1161	20049
3990	8,48	45,75	106,2	1338	20710
4200	10,35	39,46	87,0	1709	22339
4620	12,66	35,46	71,1	1944	23484
4830	13,86	33,86	64,9	2038	23985
5040	16,92	28,95	53,2	2327	26025

SXH702

Mn₂ [Nm]	i	Pn₁ [kW]	n2 [rpm]	Fr1 [N]	Fr2 [N]
5250	19,32	26,41	46,6	2476	27258
5250	20,57	24,81	43,8	2570	28191
5250	22,52	22,66	40,0	2697	29575
5250	24,47	20,86	36,8	2803	30000
5250	27,49	18,56	32,7	2938	30000
5250	29,86	17,09	30,1	3024	30000
5250	33,00	15,46	27,3	3120	30000
5250	36,13	14,12	24,9	3199	30000
5250	44,10	11,57	20,4	3349	30000

SXH703

Mn₂ [Nm]	i	Pn₁ [kW]	n2 [rpm]	Fr1 [N]	Fr2 [N]
5250	45,77	11,39	19,7	3374	30000
5250	55,87	9,33	16,1	3492	30000
5250	67,32	7,74	13,4	3583	30000
5250	73,71	7,07	12,2	3622	30000
5250	83,34	6,25	10,8	3669	30000
5250	89,97	5,79	10,0	3696	30000
5250	100,29	5,20	9,0	3730	30000
5250	108,34	4,81	8,3	3752	30000
5250	118,62	4,39	7,6	3776	30000
5250	128,18	4,07	7,0	3795	30000
5250	144,79	3,60	6,2	3822	30000
5250	155,22	3,36	5,8	3836	30000
5250	172,80	3,02	5,2	3855	30000
5250	189,19	2,75	4,8	3871	30000
5250	207,43	2,51	4,3	3884	30000
5250	230,92	2,26	3,9	3899	30000

SXH902

Mn₂ [Nm]	i	Pn₁ [kW]	n2 [rpm]	Fr1 [N]	Fr2 [N]
4830	5,27	89,01	170,6	4831	23594
5145	6,36	78,69	141,6	5490	25090
5250	7,04	72,45	127,8	5889	26187
5565	7,84	68,97	114,8	6111	26774
6825	9,45	70,20	95,2	6033	25788
7560	10,47	70,16	85,9	6035	25199
7665	13,07	56,99	68,8	6877	28552
8190	15,75	50,54	57,1	7289	30282

SXH902

Mn₂ [Nm]	i	Pn₁ [kW]	n₂ [rpm]	Fr1 [N]	Fr2 [N]
8295	17,45	46,19	51,6	7567	31876
8400	20,04	40,73	44,9	7916	34236
8400	24,15	33,81	37,3	8359	38042
8400	26,76	30,51	33,6	8570	40244
8400	32,24	25,32	27,9	8901	44431
8400	38,85	21,02	23,2	9176	48891
8400	43,05	18,96	20,9	9308	51470

SXH903

Mn₂ [Nm]	i	Pn₁ [kW]	n₂ [rpm]	Fr1 [N]	Fr2 [N]
8400	48,35	17,25	18,6	9440	54488
8400	53,53	15,58	16,8	9545	55000
8400	59,22	14,08	15,2	9638	55000
8400	62,99	13,24	14,3	9691	55000
8400	71,35	11,69	12,6	9788	55000
8400	79,07	10,54	11,4	9860	55000
8400	86,43	9,65	10,4	9916	55000
8400	96,21	8,67	9,3	9977	55000
8400	104,51	7,98	8,6	10020	55000
8400	115,92	7,19	7,8	10070	55000
8400	128,47	6,49	7,0	10114	55000
8400	139,55	5,97	6,5	10146	55000
8400	154,33	5,40	5,8	10182	55000
8400	185,96	4,48	4,8	10239	55000
8400	206,08	4,05	4,4	10267	55000

SXA191

Mn₂ [Nm]	i	Pn₁ [kW]	n₂ [rpm]	Fr1 [N]	Fr2 [N]
27	1,45	1,37	483,3	330	645
27	2,94	0,67	237,7	330	817
32	4,75	0,50	147,4	330	958
32	5,45	0,44	128,3	330	1003
27	7,88	0,25	88,9	330	1100
21	10,83	0,15	64,6	330	1100

SXA202

Mn₂ [Nm]	i	Pn₁ [kW]	n₂ [rpm]	Fr1 [N]	Fr2 [N]
85	5,38	1,19	130,1	330	1381
85	6,52	0,98	107,4	409	1473
80	8,11	0,74	86,3	373	1584
96	10,94	0,66	64,0	441	1750
85	13,25	0,48	52,8	363	1865
85	16,49	0,39	42,5	398	2000
96	20,26	0,36	34,5	453	2000
90	24,55	0,28	28,5	386	2000
85	30,55	0,21	22,9	374	2000
96	35,44	0,20	19,8	480	2000
96	44,10	0,16	15,9	398	2000
85	48,75	0,13	14,4	398	2000
101	60,67	0,13	11,5	472	2000

SXA203

Mn₂ [Nm]	i	Pn₁ [kW]	n₂ [rpm]	Fr1 [N]	Fr2 [N]
106	51,32	0,16	13,6	472	2000
106	59,65	0,14	11,7	472	2000
106	72,27	0,11	9,7	472	2000
106	89,94	0,09	7,8	472	2000
106	110,51	0,07	6,3	472	2000
106	133,88	0,06	5,2	472	2000
106	166,61	0,05	4,2	472	2000
106	193,30	0,04	3,6	472	2000
106	240,55	0,03	2,9	472	2000
106	279,07	0,03	2,5	472	2000
106	347,29	0,02	2,0	472	2000

SXA241

Mn₂ [Nm]	i	Pn₁ [kW]	n₂ [rpm]	Fr1 [N]	Fr2 [N]
43	1,45	2,18	483,3	330	1776
43	2,94	1,07	237,7	330	2250
53	4,75	0,83	147,4	330	2639
53	5,45	0,73	128,3	330	2764
43	7,88	0,40	88,9	330	3000
27	10,83	0,18	64,6	330	3000

SXA252

Mn₂ [Nm]	i	Pn₁ [kW]	n₂ [rpm]	Fr1 [N]	Fr2 [N]
149	5,38	2,08	130,1	330	2908
149	6,52	1,72	107,4	409	3100
138	8,11	1,28	86,3	369	3334
159	10,94	1,10	64,0	424	3684
149	13,25	0,84	52,8	381	3927
149	16,49	0,68	42,5	398	4224
159	20,26	0,59	34,5	432	4300
165	24,55	0,50	28,5	422	4300
149	30,55	0,37	22,9	359	4300
159	35,44	0,34	19,8	457	4300
149	44,10	0,25	15,9	371	4300
122	48,75	0,19	14,4	416	4300
138	60,67	0,17	11,5	428	4300

SXA253

Mn₂ [Nm]	i	Pn₁ [kW]	n₂ [rpm]	Fr1 [N]	Fr2 [N]
159	51,32	0,24	13,6	427	4300
159	59,65	0,21	11,7	426	4300
159	72,27	0,17	9,7	409	4300
159	89,94	0,14	7,8	398	4300
159	110,51	0,11	6,3	403	4300
159	133,88	0,09	5,2	409	4300
159	166,61	0,07	4,2	398	4300
159	193,30	0,06	3,6	427	4300
159	240,55	0,05	2,9	398	4300
159	279,07	0,04	2,5	427	4300
159	347,29	0,04	2,0	398	4300

SXA281

Mn₂ [Nm]	i	Pn₁ [kW]	n₂ [rpm]	Fr1 [N]	Fr2 [N]
96	1,33	5,34	525,0	550	2586
96	2,50	2,85	280,0	550	3189
117	4,38	1,98	159,7	550	3846
96	7,75	0,92	90,3	550	4500
74	10,67	0,52	65,6	550	4500

SXA302

Mn₂ [Nm]	i	Pn₁ [kW]	n₂ [rpm]	Fr1 [N]	Fr2 [N]
255	5,14	3,73	136,1	550	3581
255	6,22	3,08	112,5	682	3816
255	7,73	2,48	90,5	664	4103
319	9,64	2,49	72,6	827	4416
298	11,67	1,92	60,0	636	4705
298	14,50	1,54	48,3	664	5059
319	16,91	1,42	41,4	758	5325
308	20,46	1,13	34,2	659	5674
298	25,43	0,88	27,5	641	6000
319	29,89	0,80	23,4	752	6000
319	36,17	0,66	19,4	682	6000
298	44,95	0,50	15,6	620	6000
319	49,78	0,48	14,1	798	6000
308	61,87	0,37	11,3	642	6000

SXA303

Mn₂ [Nm]	i	Pn₁ [kW]	n₂ [rpm]	Fr1 [N]	Fr2 [N]
319	49,80	0,49	14,1	330	6000
319	60,25	0,41	11,6	409	6000
319	74,88	0,33	9,3	398	6000
319	88,02	0,28	8,0	421	6000
319	111,61	0,22	6,3	390	6000
319	138,71	0,18	5,0	398	6000
319	163,05	0,15	4,3	421	6000
319	200,27	0,12	3,5	403	6000
319	235,41	0,10	3,0	421	6000
319	284,81	0,09	2,5	409	6000
319	353,98	0,07	2,0	398	6000

SXA402

Mn₂ [Nm]	i	Pn₁ [kW]	n₂ [rpm]	Fr1 [N]	Fr2 [N]
404	5,14	5,91	136,1	550	5285
404	6,22	4,88	112,5	682	5632
404	7,73	3,93	90,5	664	6055
489	9,64	3,81	72,6	801	6518
468	11,67	3,01	60,0	652	6945
446	14,50	2,32	48,3	634	7467
531	16,91	2,36	41,4	842	7860
489	20,46	1,80	34,2	627	8000
457	25,43	1,35	27,5	621	8000
478	29,89	1,20	23,4	734	8000
499	36,17	1,04	19,4	712	8000
468	44,95	0,78	15,6	621	8000
393	49,78	0,59	14,1	626	8000
468	61,87	0,57	11,3	789	8000

SXA403

Mn₂ [Nm]	i	Pn₁ [kW]	n₂ [rpm]	Fr1 [N]	Fr2 [N]
510	49,80	0,79	14,1	330	8000
510	60,25	0,65	11,6	409	8000
510	74,88	0,52	9,3	398	8000
510	88,02	0,45	8,0	421	8000
510	111,61	0,35	6,3	390	8000
510	138,71	0,28	5,0	398	8000
510	163,05	0,24	4,3	421	8000
510	200,27	0,20	3,5	403	8000
510	235,41	0,17	3,0	421	8000
510	284,81	0,14	2,5	409	8000
510	353,98	0,11	2,0	398	8000

SXH191

Mn₂ [Nm]	i	Pn₁ [kW]	n₂ [rpm]	Fr1 [N]	Fr2 [N]
30	1,44	1,54	487,0	925	812
30	2,00	1,11	350,0	1050	922
36	2,55	1,06	275,0	1064	981
36	2,71	0,99	257,9	1083	1000
47	3,11	1,12	225,4	1046	1000
48	3,59	0,99	195,1	1083	1000
48	4,20	0,85	166,7	1125	1000
48	5,00	0,71	140,0	1164	1000

SXH191

Mn₂ [Nm]	i	Pn₁ [kW]	n₂ [rpm]	Fr₁ [N]	Fr₂ [N]
53	5,50	0,72	127,3	1162	1000
53	6,09	0,65	114,9	1182	1000
53	7,67	0,52	91,3	1221	1000
58	8,75	0,50	80,0	1226	1000

SXH241

Mn₂ [Nm]	i	Pn₁ [kW]	n₂ [rpm]	Fr₁ [N]	Fr₂ [N]
48	1,27	2,80	550,0	715	2032
69	1,42	3,62	493,2	514	1990
69	2,13	2,42	329,4	806	2336
80	2,57	2,31	272,2	833	2453
90	3,17	2,12	221,1	878	2500
96	3,69	1,93	189,8	925	2500
96	4,00	1,78	175,0	961	2500
101	4,77	1,58	146,8	1011	2500
106	5,25	1,51	133,3	1028	2500
106	5,82	1,36	120,3	1063	2500
106	7,33	1,08	95,5	1132	2500
106	8,38	0,94	83,6	1164	2500

SXH252

Mn₂ [Nm]	i	Pn₁ [kW]	n₂ [rpm]	Fr₁ [N]	Fr₂ [N]
101	4,70	1,62	149,1	656	3969
112	6,23	1,35	112,4	781	4355
133	7,76	1,29	90,2	808	4553
138	8,87	1,17	79,0	862	4767
149	10,14	1,10	69,0	894	4941
154	11,76	0,99	59,5	948	5214
181	13,72	0,99	51,0	946	5297
181	14,66	0,93	47,8	975	5457
202	16,77	0,91	41,8	985	5500
213	18,20	0,88	38,5	998	5500
213	19,90	0,80	35,2	1032	5500
213	22,68	0,70	30,9	1078	5500
213	23,83	0,67	29,4	1094	5500
213	26,39	0,61	26,5	1124	5500
213	29,70	0,54	23,6	1155	5500
213	32,89	0,49	21,3	1179	5500
213	37,92	0,42	18,5	1209	5500

SXH252

Mn₂ [Nm]	i	Pn₁ [kW]	n2 [rpm]	Fr1 [N]	Fr2 [N]
213	41,40	0,39	16,9	1225	5500
213	47,25	0,34	14,8	1247	5500

SXH253

Mn₂ [Nm]	i	Pn₁ [kW]	n2 [rpm]	Fr1 [N]	Fr2 [N]
213	53,59	0,30	13,1	1266	5500
213	66,78	0,24	10,5	1293	5500
213	74,84	0,22	9,3	1305	5500
213	99,27	0,16	7,0	1329	5500
213	108,05	0,15	6,5	1335	5500
213	123,71	0,13	5,7	1344	5500
213	143,33	0,11	4,9	1352	5500
213	178,61	0,09	3,9	1362	5500
213	197,17	0,08	3,5	1366	5500
213	245,70	0,07	2,9	1374	5500

SXH281

Mn₂ [Nm]	i	Pn₁ [kW]	n2 [rpm]	Fr1 [N]	Fr2 [N]
106	1,34	5,89	520,9	1805	2948
138	2,13	4,84	329,4	2013	3378
149	2,57	4,31	272,2	2119	3593
149	3,17	3,50	221,1	2280	3700
159	3,69	3,22	189,8	2336	3700
159	4,00	2,97	175,0	2386	3700
170	4,77	2,65	146,8	2448	3700
181	5,25	2,56	133,3	2466	3700
181	5,82	2,31	120,3	2516	3700
181	7,33	1,83	95,5	2611	3700
181	8,38	1,61	83,6	2656	3700

SXH302

Mn₂ [Nm]	i	Pn₁ [kW]	n2 [rpm]	Fr1 [N]	Fr2 [N]
170	5,46	2,34	128,2	372	5154
170	7,19	1,78	97,4	625	5783
223	8,91	1,88	78,5	578	5877
255	10,31	1,86	67,9	589	5998
266	11,80	1,69	59,3	664	6282

SXH302

Mn₂ [Nm]	i	Pn₁ [kW]	n₂ [rpm]	Fr1 [N]	Fr2 [N]
266	13,57	1,47	51,6	764	6600
266	15,96	1,25	43,9	863	6600
266	19,00	1,05	36,8	954	6600
266	21,00	0,95	33,3	999	6600
276	23,15	0,90	30,2	1023	6600
276	26,04	0,80	26,9	1068	6600
298	27,50	0,81	25,4	1061	6600
298	30,45	0,73	23,0	1097	6600
298	34,10	0,66	20,5	1132	6600
298	37,76	0,59	18,5	1161	6600
298	43,75	0,51	16,0	1198	6600
298	47,53	0,47	14,7	1216	6600
298	54,25	0,41	12,9	1242	6600

SXH303

Mn₂ [Nm]	i	Pn₁ [kW]	n₂ [rpm]	Fr1 [N]	Fr2 [N]
319	61,83	0,40	11,3	1253	6600
319	76,67	0,32	9,1	1287	6600
319	87,05	0,28	8,0	1304	6600
319	114,55	0,21	6,1	1334	6600
319	125,69	0,19	5,6	1342	6600
319	142,04	0,17	4,9	1352	6600
319	165,38	0,15	4,2	1363	6600
319	205,07	0,12	3,4	1376	6600
319	227,50	0,11	3,1	1381	6600
319	282,10	0,09	2,5	1390	6600

SXH352

Mn₂ [Nm]	i	Pn₁ [kW]	n₂ [rpm]	Fr1 [N]	Fr2 [N]
276	5,73	3,63	122,2	188	6400
308	6,89	3,36	101,5	277	6713
361	8,53	3,19	82,1	336	7002
393	9,56	3,09	73,2	367	7156
414	11,51	2,71	60,8	495	7637
457	14,24	2,41	49,2	593	8000
478	16,59	2,17	42,2	675	8000
489	18,00	2,04	38,9	717	8000
489	19,97	1,84	35,0	784	8000
499	21,67	1,73	32,3	820	8000

SXH352

Mn₂ [Nm]	i	Pn₁ [kW]	n₂ [rpm]	Fr1 [N]	Fr2 [N]
499	24,71	1,52	28,3	891	8000
521	26,18	1,50	26,7	900	8000
521	28,44	1,38	24,6	939	8000
521	31,52	1,24	22,2	984	8000
521	33,00	1,19	21,2	1003	8000
521	38,98	1,00	18,0	1063	8000
521	45,36	0,86	15,4	1111	8000
521	49,13	0,80	14,2	1133	8000
521	56,11	0,70	12,5	1166	8000

SXH353

Mn₂ [Nm]	i	Pn₁ [kW]	n₂ [rpm]	Fr1 [N]	Fr2 [N]
531	58,81	0,69	11,9	1172	8000
531	72,75	0,56	9,6	1215	8000
531	90,51	0,45	7,7	1251	8000
531	108,95	0,37	6,4	1276	8000
531	134,76	0,30	5,2	1300	8000
531	157,29	0,26	4,5	1314	8000
531	194,56	0,21	3,6	1330	8000
531	216,38	0,19	3,2	1337	8000
531	267,65	0,15	2,6	1349	8000

SXH381

Mn₂ [Nm]	i	Pn₁ [kW]	n₂ [rpm]	Fr1 [N]	Fr2 [N]
234	1,30	13,41	539,6	565	3183
255	1,43	13,29	490,0	588	3258
266	1,93	10,24	362,5	1151	3637
313	2,54	9,18	275,4	1346	3939
335	3,25	7,67	215,4	1625	4000
340	3,72	6,80	188,1	1785	4000
340	4,00	6,33	175,0	1872	4000
340	4,67	5,42	150,0	2039	4000
351	5,54	4,71	126,4	2170	4000
361	6,08	4,42	115,1	2224	4000
372	7,50	3,69	93,3	2358	4000
372	8,44	3,28	82,9	2435	4000

SXH402

Mn₂ [Nm]	i	Pn₁ [kW]	n₂ [rpm]	Fr1 [N]	Fr2 [N]
531	5,38	7,43	130,2	728	10367
584	5,93	7,41	118,0	736	10510
584	7,39	5,95	94,7	1151	11565
638	8,50	5,64	82,3	1238	11970
638	9,39	5,11	74,6	1389	12000
691	11,69	4,45	59,9	1578	12000
744	12,67	4,42	55,3	1586	12000
744	14,75	3,79	47,5	1763	12000
850	16,29	3,93	43,0	1726	12000
882	17,67	3,75	39,6	1774	12000
903	20,28	3,35	34,5	1890	12000
903	23,27	2,92	30,1	2012	12000
903	25,70	2,64	27,2	2090	12000
850	29,33	2,18	23,9	2222	12000
903	32,00	2,12	21,9	2238	12000
850	36,99	1,73	18,9	2350	12000
903	40,33	1,68	17,4	2363	12000
903	46,06	1,47	15,2	2422	12000

SXH403

Mn₂ [Nm]	i	Pn₁ [kW]	n₂ [rpm]	Fr1 [N]	Fr2 [N]
903	49,45	1,40	14,2	2451	12000
903	54,61	1,27	12,8	2488	12000
903	68,00	1,02	10,3	2558	12000
903	85,82	0,81	8,2	2617	12000
903	94,76	0,73	7,4	2638	12000
903	118,00	0,59	5,9	2678	12000
903	135,40	0,51	5,2	2699	12000
903	149,51	0,46	4,7	2712	12000
903	170,67	0,41	4,1	2728	12000
903	186,18	0,37	3,8	2738	12000
903	215,21	0,32	3,2	2752	12000
903	234,67	0,30	3,0	2759	12000
903	268,00	0,26	2,6	2770	12000

SXH481

Mn₂ [Nm]	i	Pn₁ [kW]	n₂ [rpm]	Fr1 [N]	Fr2 [N]
468	1,29	26,92	541,5	1453	3913
510	1,41	26,92	496,4	1454	3988

SXH481

Mn₂ [Nm]	i	Pn₁ [kW]	n₂ [rpm]	Fr1 [N]	Fr2 [N]
510	2,03	18,68	344,4	2222	4596
611	2,48	18,33	282,1	2255	4821
648	3,27	14,74	213,9	2589	5000
648	3,70	13,04	189,2	2748	5000
648	4,22	11,43	165,8	2899	5000
659	4,88	10,06	143,6	3026	5000
659	5,27	9,31	132,9	3096	5000
680	6,23	8,13	112,3	3207	5000
691	7,55	6,81	92,8	3329	5000
691	8,40	6,12	83,3	3393	5000

SXH502

Mn₂ [Nm]	i	Pn₁ [kW]	n₂ [rpm]	Fr1 [N]	Fr2 [N]
744	5,39	10,38	129,9	679	12923
744	5,95	9,41	117,7	897	13467
850	7,39	8,65	94,7	1068	14253
850	8,02	7,97	87,3	1219	14752
956	8,85	8,13	79,1	1184	14887
1169	11,01	7,99	63,6	1216	15367
1488	13,50	8,29	51,9	1148	15368
1594	14,90	8,05	47,0	1202	15622
1594	16,62	7,22	42,1	1389	16471
1594	18,53	6,47	37,8	1556	17349
1700	19,38	6,60	36,1	1528	17238
1700	21,39	5,98	32,7	1667	18000
1700	22,80	5,61	30,7	1750	18000
1700	26,60	4,81	26,3	1929	18000
1700	27,88	4,59	25,1	1979	18000
1700	31,15	4,10	22,5	2087	18000
1700	34,38	3,72	20,4	2173	18000
1700	38,70	3,30	18,1	2267	18000
1700	42,75	2,99	16,4	2337	18000
1700	48,13	2,66	14,5	2412	18000

SXH503

Mn₂ [Nm]	i	Pn₁ [kW]	n₂ [rpm]	Fr1 [N]	Fr2 [N]
1700	56,53	2,31	12,4	2500	18000
1913	71,48	2,06	9,8	2556	18000
1913	78,87	1,86	8,9	2599	18000

SXH503

Mn₂ [Nm]	i	Pn₁ [kW]	n2 [rpm]	Fr1 [N]	Fr2 [N]
1913	85,56	1,72	8,2	2631	18000
1913	98,09	1,50	7,1	2679	18000
1913	112,78	1,30	6,2	2722	18000
1913	124,44	1,18	5,6	2749	18000
1913	142,15	1,03	4,9	2781	18000
1913	154,76	0,95	4,5	2799	18000
1913	162,35	0,91	4,3	2809	18000
1913	179,13	0,82	3,9	2828	18000
1913	195,07	0,75	3,6	2843	18000
1913	222,78	0,66	3,1	2863	18000

SXH551

Mn₂ [Nm]	i	Pn₁ [kW]	n2 [rpm]	Fr1 [N]	Fr2 [N]
723	1,23	43,70	568,8	527	4897
786	1,42	41,32	494,1	713	5103
786	1,81	32,40	387,5	1408	5601
829	2,00	30,85	350,0	1529	5779
871	2,48	26,15	282,3	1894	6000
871	2,95	21,95	236,9	2222	6000
893	3,14	21,14	222,7	2285	6000
903	3,58	18,79	195,6	2469	6000
903	4,12	16,33	170,0	2660	6000
924	4,80	14,34	145,8	2815	6000
935	5,21	13,35	134,2	2892	6000
956	6,25	11,39	112,0	3045	6000
1063	7,70	10,27	90,9	3132	6000

SXH602

Mn₂ [Nm]	i	Pn₁ [kW]	n2 [rpm]	Fr1 [N]	Fr2 [N]
1913	5,26	27,34	133,0	1583	14423
2125	6,36	25,15	110,1	1784	15024
2444	7,05	26,07	99,3	1699	14628
2656	8,27	24,15	84,6	1876	15132
2975	9,99	22,40	70,1	2036	15559
3188	11,09	21,63	63,1	2107	15698
3294	13,32	18,59	52,5	2385	17053
3400	16,09	15,89	43,5	2633	18567
3400	17,85	14,33	39,2	2777	19675
3400	19,85	12,89	35,3	2909	20846

SXH602

Mn₂ [Nm]	i	Pn₁ [kW]	n₂ [rpm]	Fr1 [N]	Fr2 [N]
3400	21,44	11,93	32,6	2997	21727
3506	23,97	11,00	29,2	3082	22000
3506	25,89	10,19	27,0	3157	22000
3506	28,73	9,18	24,4	3249	22000
3400	30,72	8,33	22,8	3328	22000
3400	34,20	7,48	20,5	3405	22000
2975	38,45	5,82	18,2	3557	22000
3506	41,30	6,39	16,9	3505	22000
3506	45,82	5,76	15,3	3563	22000
3506	51,52	5,12	13,6	3622	22000

SXH603

Mn₂ [Nm]	i	Pn₁ [kW]	n₂ [rpm]	Fr1 [N]	Fr2 [N]
3719	55,47	5,15	12,6	3629	22000
3719	69,69	4,10	10,0	3723	22000
3719	79,82	3,58	8,8	3770	22000
3719	84,16	3,39	8,3	3786	22000
3719	93,36	3,06	7,5	3817	22000
3719	100,07	2,86	7,0	3835	22000
3719	120,84	2,36	5,8	3879	22000
3719	134,06	2,13	5,2	3900	22000
3719	143,42	1,99	4,9	3912	22000
3719	160,82	1,78	4,3	3932	22000
3719	181,07	1,58	3,9	3950	22000
3719	194,21	1,47	3,6	3959	22000
3719	215,45	1,33	3,2	3972	22000
3825	242,59	1,21	2,9	3983	22000

SXH702

Mn₂ [Nm]	i	Pn₁ [kW]	n₂ [rpm]	Fr1 [N]	Fr2 [N]
3188	5,27	45,46	132,7	575	20890
3400	5,78	44,29	121,2	664	21161
3825	7,05	40,82	99,3	927	21998
3931	7,74	38,20	90,4	1127	22745
4038	8,48	35,83	82,6	1306	23489
4250	10,35	30,90	67,7	1681	25312
4675	12,66	27,77	55,3	1919	26660
4888	13,86	26,52	50,5	2014	27255
5100	16,92	22,67	41,4	2306	29524

SXH702

Mn₂ [Nm]	i	Pn₁ [kW]	n₂ [rpm]	Fr1 [N]	Fr2 [N]
5313	19,32	20,68	36,2	2457	30000
5313	20,57	19,43	34,0	2553	30000
5313	22,52	17,74	31,1	2681	30000
5313	24,47	16,33	28,6	2788	30000
5313	27,49	14,54	25,5	2925	30000
5313	29,86	13,38	23,4	3012	30000
5313	33,00	12,11	21,2	3109	30000
5313	36,13	11,06	19,4	3189	30000
5313	44,10	9,06	15,9	3341	30000

SXH703

Mn₂ [Nm]	i	Pn₁ [kW]	n₂ [rpm]	Fr1 [N]	Fr2 [N]
5313	45,77	8,92	15,3	3366	30000
5313	55,87	7,31	12,5	3486	30000
5313	67,32	6,06	10,4	3578	30000
5313	73,71	5,54	9,5	3617	30000
5313	83,34	4,90	8,4	3665	30000
5313	89,97	4,54	7,8	3692	30000
5313	100,29	4,07	7,0	3726	30000
5313	108,34	3,77	6,5	3749	30000
5313	118,62	3,44	5,9	3773	30000
5313	128,18	3,18	5,5	3792	30000
5313	144,79	2,82	4,8	3819	30000
5313	155,22	2,63	4,5	3834	30000
5313	172,80	2,36	4,0	3853	30000
5313	189,19	2,16	3,7	3869	30000
5313	207,43	1,97	3,4	3883	30000
5313	230,92	1,77	3,0	3898	30000

SXH902

Mn₂ [Nm]	i	Pn₁ [kW]	n₂ [rpm]	Fr1 [N]	Fr2 [N]
4888	5,27	69,71	132,7	4763	26746
5206	6,36	61,62	110,1	5430	28444
5313	7,04	56,74	99,4	5834	29660
5631	7,84	54,01	89,2	6059	30370
6906	9,45	54,98	74,1	5979	29582
7650	10,47	54,95	66,8	5982	29108
7756	13,07	44,64	53,5	6833	32777
8288	15,75	39,58	44,4	7251	34777

SXH902

Mn₂ [Nm]	i	Pn₁ [kW]	n₂ [rpm]	Fr1 [N]	Fr2 [N]
8394	17,45	36,17	40,1	7532	36535
8500	20,04	31,90	34,9	7885	39125
8500	24,15	26,48	29,0	8333	43263
8500	26,76	23,89	26,1	8547	45657
8500	32,24	19,83	21,7	8882	50210
8500	38,85	16,46	18,0	9160	55000
8500	43,05	14,85	16,3	9293	55000

SXH903

Mn₂ [Nm]	i	Pn₁ [kW]	n₂ [rpm]	Fr1 [N]	Fr2 [N]
8500	48,35	13,51	14,5	9428	55000
8500	53,53	12,20	13,1	9533	55000
8500	59,22	11,03	11,8	9628	55000
8500	62,99	10,37	11,1	9681	55000
8500	71,35	9,15	9,8	9780	55000
8500	79,07	8,26	8,8	9852	55000
8500	86,43	7,56	8,1	9909	55000
8500	96,21	6,79	7,3	9971	55000
8500	104,51	6,25	6,7	10014	55000
8500	115,92	5,63	6,0	10064	55000
8500	128,47	5,08	5,5	10109	55000
8500	139,55	4,68	5,0	10141	55000
8500	154,33	4,23	4,5	10178	55000
8500	185,96	3,51	3,8	10236	55000
8500	206,08	3,17	3,4	10264	55000

SXA191

Mn₂ [Nm]	i	Pn₁ [kW]	n₂ [rpm]	Fr1 [N]	Fr2 [N]
27	1,45	0,98	345,2	330	721
27	2,94	0,48	169,8	330	914
32	4,75	0,36	105,3	330	1071
32	5,45	0,31	91,7	330	1100
27	7,88	0,18	63,5	330	1100
22	10,83	0,11	46,1	330	1100

SXA202

Mn₂ [Nm]	i	Pn₁ [kW]	n₂ [rpm]	Fr1 [N]	Fr2 [N]
86	5,38	0,85	93,0	330	1545
86	6,52	0,71	76,7	409	1647
81	8,11	0,53	61,6	373	1772
97	10,94	0,47	45,7	441	1958
86	13,25	0,35	37,7	363	2000
86	16,49	0,28	30,3	398	2000
97	20,26	0,26	24,7	453	2000
91	24,55	0,20	20,4	386	2000
86	30,55	0,15	16,4	374	2000
97	35,44	0,15	14,1	480	2000
97	44,10	0,12	11,3	398	2000
86	48,75	0,09	10,3	398	2000
102	60,67	0,09	8,2	472	2000

SXA203

Mn₂ [Nm]	i	Pn₁ [kW]	n₂ [rpm]	Fr1 [N]	Fr2 [N]
108	51,32	0,11	9,7	472	2000
108	59,65	0,10	8,4	472	2000
108	72,27	0,08	6,9	472	2000
108	89,94	0,07	5,6	472	2000
108	110,51	0,05	4,5	472	2000
108	133,88	0,04	3,7	472	2000
108	166,61	0,04	3,0	472	2000
108	193,30	0,03	2,6	472	2000
108	240,55	0,02	2,1	472	2000
108	279,07	0,02	1,8	472	2000
108	347,29	0,02	1,4	472	2000

SXA241

Mn₂ [Nm]	i	Pn₁ [kW]	n₂ [rpm]	Fr1 [N]	Fr2 [N]
43	1,45	1,57	345,2	330	1987
43	2,94	0,77	169,8	330	2517
54	4,75	0,60	105,3	330	2952
54	5,45	0,52	91,7	330	3000
43	7,88	0,29	63,5	330	3000
27	10,83	0,13	46,1	330	3000

SXA252

Mn₂ [Nm]	i	Pn₁ [kW]	n₂ [rpm]	Fr1 [N]	Fr2 [N]
151	5,38	1,50	93,0	330	3253
151	6,52	1,23	76,7	409	3468
140	8,11	0,92	61,6	369	3730
161	10,94	0,79	45,7	424	4121
151	13,25	0,61	37,7	381	4300
151	16,49	0,49	30,3	398	4300
161	20,26	0,43	24,7	432	4300
167	24,55	0,36	20,4	422	4300
151	30,55	0,26	16,4	359	4300
161	35,44	0,24	14,1	457	4300
151	44,10	0,18	11,3	371	4300
124	48,75	0,14	10,3	416	4300
140	60,67	0,12	8,2	428	4300

SXA253

Mn₂ [Nm]	i	Pn₁ [kW]	n₂ [rpm]	Fr1 [N]	Fr2 [N]
161	51,32	0,17	9,7	427	4300
161	59,65	0,15	8,4	426	4300
161	72,27	0,12	6,9	409	4300
161	89,94	0,10	5,6	398	4300
161	110,51	0,08	4,5	403	4300
161	133,88	0,07	3,7	409	4300
161	166,61	0,05	3,0	398	4300
161	193,30	0,05	2,6	427	4300
161	240,55	0,04	2,1	398	4300
161	279,07	0,03	1,8	427	4300
161	347,29	0,03	1,4	398	4300

SXA281

Mn₂ [Nm]	i	Pn₁ [kW]	n₂ [rpm]	Fr1 [N]	Fr2 [N]
97	1,33	3,84	375,0	550	2893
97	2,50	2,05	200,0	550	3568
118	4,38	1,43	114,0	550	4303
97	7,75	0,66	64,5	550	4500
75	10,67	0,37	46,9	550	4500

SXA302

Mn₂ [Nm]	i	Pn₁ [kW]	n₂ [rpm]	Fr1 [N]	Fr2 [N]
258	5,14	2,68	97,2	550	4006
258	6,22	2,22	80,4	682	4269
258	7,73	1,78	64,7	664	4589
323	9,64	1,79	51,9	827	4940
301	11,67	1,38	42,9	636	5264
301	14,50	1,11	34,5	664	5659
323	16,91	1,02	29,6	758	5957
312	20,46	0,81	24,4	659	6000
301	25,43	0,63	19,7	641	6000
323	29,89	0,58	16,7	752	6000
323	36,17	0,48	13,8	682	6000
301	44,95	0,36	11,1	620	6000
323	49,78	0,35	10,0	798	6000
312	61,87	0,27	8,1	642	6000

SXA303

Mn₂ [Nm]	i	Pn₁ [kW]	n₂ [rpm]	Fr1 [N]	Fr2 [N]
323	49,80	0,35	10,0	330	6000
323	60,25	0,29	8,3	409	6000
323	74,88	0,24	6,7	398	6000
323	88,02	0,20	5,7	421	6000
323	111,61	0,16	4,5	390	6000
323	138,71	0,13	3,6	398	6000
323	163,05	0,11	3,1	421	6000
323	200,27	0,09	2,5	403	6000
323	235,41	0,07	2,1	421	6000
323	284,81	0,06	1,8	409	6000
323	353,98	0,05	1,4	398	6000

SXA402

Mn₂ [Nm]	i	Pn₁ [kW]	n₂ [rpm]	Fr1 [N]	Fr2 [N]
409	5,14	4,25	97,2	550	5913
409	6,22	3,51	80,4	682	6300
409	7,73	2,82	64,7	664	6774
495	9,64	2,74	51,9	801	7291
473	11,67	2,17	42,9	652	7769
452	14,50	1,66	34,5	634	8000
538	16,91	1,70	29,6	842	8000
495	20,46	1,29	24,4	627	8000
462	25,43	0,97	19,7	621	8000
484	29,89	0,87	16,7	734	8000
505	36,17	0,75	13,8	712	8000
473	44,95	0,56	11,1	621	8000
398	49,78	0,43	10,0	626	8000
473	61,87	0,41	8,1	789	8000

SXA403

Mn₂ [Nm]	i	Pn₁ [kW]	n₂ [rpm]	Fr1 [N]	Fr2 [N]
516	49,80	0,57	10,0	330	8000
516	60,25	0,47	8,3	409	8000
516	74,88	0,38	6,7	398	8000
516	88,02	0,32	5,7	421	8000
516	111,61	0,25	4,5	390	8000
516	138,71	0,20	3,6	398	8000
516	163,05	0,17	3,1	421	8000
516	200,27	0,14	2,5	403	8000
516	235,41	0,12	2,1	421	8000
516	284,81	0,10	1,8	409	8000
516	353,98	0,08	1,4	398	8000

SXH191

Mn₂ [Nm]	i	Pn₁ [kW]	n₂ [rpm]	Fr1 [N]	Fr2 [N]
30	1,44	1,11	347,8	919	923
30	2,00	0,80	250,0	1046	1000
37	2,55	0,76	196,4	1061	1000
37	2,71	0,71	184,2	1080	1000
47	3,11	0,81	161,0	1042	1000
48	3,59	0,71	139,3	1080	1000
48	4,20	0,61	119,0	1122	1000
48	5,00	0,51	100,0	1162	1000

SXH191

Mn₂ [Nm]	i	Pn₁ [kW]	n₂ [rpm]	Fr1 [N]	Fr2 [N]
54	5,50	0,52	90,9	1160	1000
54	6,09	0,47	82,1	1180	1000
54	7,67	0,37	65,2	1219	1000
59	8,75	0,36	57,1	1224	1000

SXH241

Mn₂ [Nm]	i	Pn₁ [kW]	n₂ [rpm]	Fr1 [N]	Fr2 [N]
48	1,27	2,01	392,9	707	2304
70	1,42	2,61	352,3	504	2271
70	2,13	1,74	235,3	799	2500
81	2,57	1,66	194,4	827	2500
91	3,17	1,53	157,9	872	2500
97	3,69	1,39	135,6	919	2500
97	4,00	1,28	125,0	956	2500
102	4,77	1,13	104,8	1006	2500
108	5,25	1,08	95,2	1023	2500
108	5,82	0,98	85,9	1060	2500
108	7,33	0,78	68,2	1128	2500
108	8,38	0,68	59,7	1161	2500

SXH252

Mn₂ [Nm]	i	Pn₁ [kW]	n₂ [rpm]	Fr1 [N]	Fr2 [N]
102	4,70	1,16	106,5	647	4553
113	6,23	0,97	80,3	773	4995
134	7,76	0,93	64,4	801	5241
140	8,87	0,84	56,4	855	5486
151	10,14	0,79	49,3	888	5500
156	11,76	0,71	42,5	943	5500
183	13,72	0,71	36,4	940	5500
183	14,66	0,67	34,1	970	5500
204	16,77	0,65	29,8	980	5500
215	18,20	0,63	27,5	993	5500
215	19,90	0,58	25,1	1028	5500
215	22,68	0,51	22,1	1074	5500
215	23,83	0,48	21,0	1090	5500
215	26,39	0,44	18,9	1120	5500
215	29,70	0,39	16,8	1152	5500
215	32,89	0,35	15,2	1176	5500
215	37,92	0,30	13,2	1207	5500

SXH252

Mn₂ [Nm]	i	Pn₁ [kW]	n₂ [rpm]	Fr1 [N]	Fr2 [N]
215	41,40	0,28	12,1	1223	5500
215	47,25	0,24	10,6	1245	5500

SXH253

Mn₂ [Nm]	i	Pn₁ [kW]	n₂ [rpm]	Fr1 [N]	Fr2 [N]
215	53,59	0,22	9,3	1264	5500
215	66,78	0,18	7,5	1292	5500
215	74,84	0,16	6,7	1304	5500
215	99,27	0,12	5,0	1328	5500
215	108,05	0,11	4,6	1335	5500
215	123,71	0,09	4,0	1343	5500
215	143,33	0,08	3,5	1352	5500
215	178,61	0,07	2,8	1362	5500
215	197,17	0,06	2,5	1366	5500
215	245,70	0,05	2,0	1373	5500

SXH281

Mn₂ [Nm]	i	Pn₁ [kW]	n₂ [rpm]	Fr1 [N]	Fr2 [N]
108	1,34	4,23	372,1	1791	3343
140	2,13	3,48	235,3	2002	3700
151	2,57	3,10	194,4	2109	3700
151	3,17	2,51	157,9	2272	3700
161	3,69	2,31	135,6	2328	3700
161	4,00	2,13	125,0	2379	3700
172	4,77	1,91	104,8	2442	3700
183	5,25	1,84	95,2	2460	3700
183	5,82	1,66	85,9	2511	3700
183	7,33	1,32	68,2	2607	3700
183	8,38	1,15	59,7	2653	3700

SXH302

Mn₂ [Nm]	i	Pn₁ [kW]	n₂ [rpm]	Fr1 [N]	Fr2 [N]
172	5,46	1,68	91,5	359	5916
172	7,19	1,28	69,6	616	6600
226	8,91	1,35	56,1	568	6600
258	10,31	1,34	48,5	579	6600
269	11,80	1,22	42,4	655	6600

SXH302

Mn₂ [Nm]	i	Pn₁ [kW]	n2 [rpm]	Fr1 [N]	Fr2 [N]
269	13,57	1,06	36,8	756	6600
269	15,96	0,90	31,3	857	6600
269	19,00	0,76	26,3	948	6600
269	21,00	0,68	23,8	994	6600
280	23,15	0,65	21,6	1018	6600
280	26,04	0,57	19,2	1064	6600
301	27,50	0,59	18,2	1057	6600
301	30,45	0,53	16,4	1093	6600
301	34,10	0,47	14,7	1129	6600
301	37,76	0,43	13,2	1158	6600
301	43,75	0,37	11,4	1195	6600
301	47,53	0,34	10,5	1213	6600
301	54,25	0,30	9,2	1240	6600

SXH303

Mn₂ [Nm]	i	Pn₁ [kW]	n2 [rpm]	Fr1 [N]	Fr2 [N]
323	61,83	0,28	8,1	1251	6600
323	76,67	0,23	6,5	1286	6600
323	87,05	0,20	5,7	1303	6600
323	114,55	0,15	4,4	1333	6600
323	125,69	0,14	4,0	1341	6600
323	142,04	0,12	3,5	1351	6600
323	165,38	0,11	3,0	1362	6600
323	205,07	0,09	2,4	1375	6600
323	227,50	0,08	2,2	1380	6600
323	282,10	0,06	1,8	1390	6600

SXH352

Mn₂ [Nm]	i	Pn₁ [kW]	n2 [rpm]	Fr1 [N]	Fr2 [N]
280	5,73	2,61	87,3	174	7357
312	6,89	2,42	72,5	264	7730
366	8,53	2,29	58,6	323	8000
398	9,56	2,22	52,3	355	8000
419	11,51	1,95	43,4	485	8000
462	14,24	1,74	35,1	584	8000
484	16,59	1,56	30,1	667	8000
495	18,00	1,47	27,8	709	8000
495	19,97	1,32	25,0	777	8000
505	21,67	1,25	23,1	813	8000

SXH352

Mn₂ [Nm]	i	Pn₁ [kW]	n₂ [rpm]	Fr1 [N]	Fr2 [N]
505	24,71	1,09	20,2	885	8000
527	26,18	1,08	19,1	894	8000
527	28,44	0,99	17,6	934	8000
527	31,52	0,89	15,9	979	8000
527	33,00	0,85	15,2	998	8000
527	38,98	0,72	12,8	1059	8000
527	45,36	0,62	11,0	1107	8000
527	49,13	0,57	10,2	1129	8000
527	56,11	0,50	8,9	1163	8000

SXH353

Mn₂ [Nm]	i	Pn₁ [kW]	n₂ [rpm]	Fr1 [N]	Fr2 [N]
538	58,81	0,50	8,5	1169	8000
538	72,75	0,40	6,9	1213	8000
538	90,51	0,32	5,5	1249	8000
538	108,95	0,27	4,6	1275	8000
538	134,76	0,22	3,7	1298	8000
538	157,29	0,19	3,2	1313	8000
538	194,56	0,15	2,6	1329	8000
538	216,38	0,14	2,3	1336	8000
538	267,65	0,11	1,9	1348	8000

SXH381

Mn₂ [Nm]	i	Pn₁ [kW]	n₂ [rpm]	Fr1 [N]	Fr2 [N]
237	1,30	9,65	385,4	536	3614
258	1,43	9,56	350,0	560	3703
269	1,93	7,36	258,9	1128	4000
317	2,54	6,60	196,7	1326	4000
339	3,25	5,51	153,8	1609	4000
344	3,72	4,89	134,3	1770	4000
344	4,00	4,55	125,0	1858	4000
344	4,67	3,90	107,1	2027	4000
355	5,54	3,39	90,3	2160	4000
366	6,08	3,18	82,2	2214	4000
376	7,50	2,65	66,7	2350	4000
376	8,44	2,36	59,2	2427	4000

SXH402

Mn₂ [Nm]	i	Pn₁ [kW]	n2 [rpm]	Fr1 [N]	Fr2 [N]
538	5,38	5,35	93,0	703	11929
591	5,93	5,33	84,2	712	12000
591	7,39	4,28	67,7	1131	12000
645	8,50	4,06	58,8	1219	12000
645	9,39	3,67	53,3	1372	12000
699	11,69	3,20	42,8	1563	12000
753	12,67	3,18	39,5	1571	12000
753	14,75	2,73	33,9	1751	12000
860	16,29	2,82	30,7	1713	12000
892	17,67	2,70	28,3	1762	12000
914	20,28	2,41	24,6	1878	12000
914	23,27	2,10	21,5	2002	12000
914	25,70	1,90	19,5	2081	12000
860	29,33	1,57	17,1	2215	12000
914	32,00	1,53	15,6	2231	12000
860	36,99	1,24	13,5	2345	12000
914	40,33	1,21	12,4	2357	12000
914	46,06	1,06	10,8	2417	12000

SXH403

Mn₂ [Nm]	i	Pn₁ [kW]	n2 [rpm]	Fr1 [N]	Fr2 [N]
914	49,45	1,01	10,1	2447	12000
914	54,61	0,91	9,2	2484	12000
914	68,00	0,73	7,3	2554	12000
914	85,82	0,58	5,8	2614	12000
914	94,76	0,53	5,3	2635	12000
914	118,00	0,42	4,2	2676	12000
914	135,40	0,37	3,7	2697	12000
914	149,51	0,33	3,3	2711	12000
914	170,67	0,29	2,9	2727	12000
914	186,18	0,27	2,7	2737	12000
914	215,21	0,23	2,3	2751	12000
914	234,67	0,21	2,1	2758	12000
914	268,00	0,19	1,9	2769	12000

SXH481

Mn₂ [Nm]	i	Pn₁ [kW]	n2 [rpm]	Fr1 [N]	Fr2 [N]
473	1,29	19,36	386,8	1424	4447
516	1,41	19,36	354,6	1424	4537

SXH481

Mn₂ [Nm]	i	Pn₁ [kW]	n₂ [rpm]	Fr1 [N]	Fr2 [N]
516	2,03	13,44	246,0	2202	5000
618	2,48	13,18	201,5	2235	5000
656	3,27	10,60	152,8	2573	5000
656	3,70	9,38	135,1	2734	5000
656	4,22	8,22	118,4	2886	5000
667	4,88	7,23	102,6	3015	5000
667	5,27	6,70	94,9	3086	5000
688	6,23	5,84	80,2	3198	5000
699	7,55	4,90	66,3	3321	5000
699	8,40	4,40	59,5	3387	5000

SXH502

Mn₂ [Nm]	i	Pn₁ [kW]	n₂ [rpm]	Fr1 [N]	Fr2 [N]
753	5,39	7,47	92,8	651	14821
753	5,95	6,77	84,1	872	15430
860	7,39	6,22	67,6	1045	16361
860	8,02	5,73	62,3	1198	16918
968	8,85	5,84	56,5	1163	17122
1183	11,01	5,74	45,4	1195	17763
1505	13,50	5,96	37,0	1126	17920
1613	14,90	5,79	33,6	1181	18000
1613	16,62	5,19	30,1	1370	18000
1613	18,53	4,65	27,0	1539	18000
1720	19,38	4,74	25,8	1510	18000
1720	21,39	4,30	23,4	1651	18000
1720	22,80	4,03	21,9	1735	18000
1720	26,60	3,46	18,8	1917	18000
1720	27,88	3,30	17,9	1967	18000
1720	31,15	2,95	16,1	2076	18000
1720	34,38	2,68	14,6	2164	18000
1720	38,70	2,38	12,9	2258	18000
1720	42,75	2,15	11,7	2329	18000
1720	48,13	1,91	10,4	2405	18000

SXH503

Mn₂ [Nm]	i	Pn₁ [kW]	n₂ [rpm]	Fr1 [N]	Fr2 [N]
1720	56,53	1,66	8,8	2494	18000
1935	71,48	1,48	7,0	2551	18000
1935	78,87	1,34	6,3	2594	18000

SXH503

Mn₂ [Nm]	i	Pn₁ [kW]	n2 [rpm]	Fr1 [N]	Fr2 [N]
1935	85,56	1,24	5,8	2626	18000
1935	98,09	1,08	5,1	2675	18000
1935	112,78	0,94	4,4	2718	18000
1935	124,44	0,85	4,0	2746	18000
1935	142,15	0,74	3,5	2778	18000
1935	154,76	0,68	3,2	2797	18000
1935	162,35	0,65	3,1	2807	18000
1935	179,13	0,59	2,8	2826	18000
1935	195,07	0,54	2,6	2841	18000
1935	222,78	0,47	2,2	2861	18000

SXH551

Mn₂ [Nm]	i	Pn₁ [kW]	n2 [rpm]	Fr1 [N]	Fr2 [N]
731	1,23	31,43	406,2	487	5556
796	1,42	29,71	352,9	675	5794
796	1,81	23,30	276,8	1378	6000
839	2,00	22,19	250,0	1500	6000
882	2,48	18,81	201,6	1871	6000
882	2,95	15,79	169,2	2202	6000
903	3,14	15,20	159,1	2266	6000
914	3,58	13,51	139,7	2451	6000
914	4,12	11,74	121,4	2645	6000
935	4,80	10,31	104,2	2802	6000
946	5,21	9,60	95,9	2880	6000
968	6,25	8,19	80,0	3035	6000
1075	7,70	7,39	64,9	3123	6000

SXH602

Mn₂ [Nm]	i	Pn₁ [kW]	n2 [rpm]	Fr1 [N]	Fr2 [N]
1935	5,26	19,66	95,0	1554	16910
2150	6,36	18,09	78,7	1757	17669
2473	7,05	18,75	70,9	1671	17355
2688	8,27	17,37	60,4	1850	18004
3010	9,99	16,11	50,0	2012	18611
3225	11,09	15,56	45,1	2083	18853
3333	13,32	13,37	37,5	2365	20412
3440	16,09	11,43	31,1	2616	22000
3440	17,85	10,30	28,0	2761	22000
3440	19,85	9,27	25,2	2895	22000

SXH602

Mn₂ [Nm]	i	Pn₁ [kW]	n₂ [rpm]	Fr1 [N]	Fr2 [N]
3440	21,44	8,58	23,3	2984	22000
3548	23,97	7,91	20,9	3070	22000
3548	25,89	7,33	19,3	3146	22000
3548	28,73	6,60	17,4	3239	22000
3440	30,72	5,99	16,3	3319	22000
3440	34,20	5,38	14,6	3397	22000
3010	38,45	4,19	13,0	3551	22000
3548	41,30	4,59	12,1	3499	22000
3548	45,82	4,14	10,9	3557	22000
3548	51,52	3,68	9,7	3616	22000

SXH603

Mn₂ [Nm]	i	Pn₁ [kW]	n₂ [rpm]	Fr1 [N]	Fr2 [N]
3763	55,47	3,70	9,0	3623	22000
3763	69,69	2,95	7,2	3719	22000
3763	79,82	2,57	6,3	3766	22000
3763	84,16	2,44	5,9	3783	22000
3763	93,36	2,20	5,4	3813	22000
3763	100,07	2,05	5,0	3832	22000
3763	120,84	1,70	4,1	3877	22000
3763	134,06	1,53	3,7	3898	22000
3763	143,42	1,43	3,5	3910	22000
3763	160,82	1,28	3,1	3930	22000
3763	181,07	1,13	2,8	3948	22000
3763	194,21	1,06	2,6	3958	22000
3763	215,45	0,95	2,3	3971	22000
3870	242,59	0,87	2,1	3981	22000

SXH702

Mn₂ [Nm]	i	Pn₁ [kW]	n₂ [rpm]	Fr1 [N]	Fr2 [N]
3225	5,27	32,69	94,8	534	24467
3440	5,78	31,85	86,6	624	24843
3870	7,05	29,35	70,9	891	25926
3978	7,74	27,47	64,6	1092	26799
4085	8,48	25,77	59,0	1274	27668
4300	10,35	22,22	48,3	1653	29780
4730	12,66	19,97	39,5	1894	30000
4945	13,86	19,07	36,1	1990	30000
5160	16,92	16,30	29,6	2286	30000

SXH702

Mn₂ [Nm]	i	Pn₁ [kW]	n₂ [rpm]	Fr₁ [N]	Fr₂ [N]
5375	19,32	14,87	25,9	2439	30000
5375	20,57	13,97	24,3	2536	30000
5375	22,52	12,76	22,2	2665	30000
5375	24,47	11,75	20,4	2773	30000
5375	27,49	10,45	18,2	2912	30000
5375	29,86	9,62	16,7	3000	30000
5375	33,00	8,71	15,2	3098	30000
5375	36,13	7,95	13,8	3179	30000
5375	44,10	6,52	11,3	3332	30000

SXH703

Mn₂ [Nm]	i	Pn₁ [kW]	n₂ [rpm]	Fr₁ [N]	Fr₂ [N]
5375	45,77	6,41	10,9	3358	30000
5375	55,87	5,25	8,9	3479	30000
5375	67,32	4,36	7,4	3573	30000
5375	73,71	3,98	6,8	3612	30000
5375	83,34	3,52	6,0	3660	30000
5375	89,97	3,26	5,6	3688	30000
5375	100,29	2,93	5,0	3723	30000
5375	108,34	2,71	4,6	3746	30000
5375	118,62	2,47	4,2	3770	30000
5375	128,18	2,29	3,9	3789	30000
5375	144,79	2,03	3,5	3817	30000
5375	155,22	1,89	3,2	3831	30000
5375	172,80	1,70	2,9	3851	30000
5375	189,19	1,55	2,6	3867	30000
5375	207,43	1,41	2,4	3881	30000
5375	230,92	1,27	2,2	3896	30000

SXH902

Mn₂ [Nm]	i	Pn₁ [kW]	n₂ [rpm]	Fr₁ [N]	Fr₂ [N]
4945	5,27	50,13	94,8	4695	31484
5268	6,36	44,32	78,7	5370	33486
5375	7,04	40,80	71,0	5778	34880
5698	7,84	38,84	63,8	6007	35776
6988	9,45	39,54	52,9	5926	35303
7740	10,47	39,52	47,7	5928	35010
7848	13,07	32,10	38,2	6790	39149
8385	15,75	28,47	31,8	7212	41556

SXH902

Mn₂ [Nm]	i	Pn₁ [kW]	n₂ [rpm]	Fr1 [N]	Fr2 [N]
8493	17,45	26,01	28,6	7497	43556
8600	20,04	22,94	24,9	7854	46487
8600	24,15	19,04	20,7	8307	51117
8600	26,76	17,18	18,7	8523	53795
8600	32,24	14,26	15,5	8863	55000
8600	38,85	11,84	12,9	9145	55000
8600	43,05	10,68	11,6	9279	55000

SXH903

Mn₂ [Nm]	i	Pn₁ [kW]	n₂ [rpm]	Fr1 [N]	Fr2 [N]
8600	48,35	9,71	10,3	9415	55000
8600	53,53	8,77	9,3	9522	55000
8600	59,22	7,93	8,4	9618	55000
8600	62,99	7,46	7,9	9672	55000
8600	71,35	6,58	7,0	9771	55000
8600	79,07	5,94	6,3	9844	55000
8600	86,43	5,43	5,8	9902	55000
8600	96,21	4,88	5,2	9964	55000
8600	104,51	4,49	4,8	10009	55000
8600	115,92	4,05	4,3	10059	55000
8600	128,47	3,66	3,9	10104	55000
8600	139,55	3,37	3,6	10137	55000
8600	154,33	3,04	3,2	10174	55000
8600	185,96	2,53	2,7	10232	55000
8600	206,08	2,28	2,4	10260	55000

All supplies effected by Gear Solutions ES are governed exclusively by the general terms of sale that you can find on our website:

http://www.pujolmuntala.eu/es/documentos/condiciones_de_venta.pdf

