

# STANDARD OPEN TRANSMISSION COMPONENTS





### IMPORTANT:

Our Company is able to produce pieces, on request, based on Customer's drawings in the required quantity and quality. Our Company uses modern machine tools that also allows to produce pitches and profiles not shown in this catalogue.

**CHIARAVALLI GROUP SpA, do not accepts responsibility for any errors in the production of this catalogue and reserves the right to add to the drawings designs of the listed products any modification request by manufacturing requirements or due to evolution of the products.**

CHIARAVALLI GROUP SpA assures that the Company's quality system complies with the provisions established in the Italian UNI EN ISO 9001 - 2008, regulations governing quality management criteria which guarantees the quality of the products manufactured.

ICIM is a member of **IQNet**

www.iqnet-certification.com

IQNet, the association of the world's best other worldwide bodies, is the largest provider of management systems certification in the world. IQNet is composed of more than 20 bodies and works over 100 countries all over the globe.

**ICIM**  
www.icim.it

**CERTIFICATO n. 1236/5**  
**CERTIFICATE No.**

SI CERTIFICA CHE IL SISTEMA DI GESTIONE PER LA QUALITÀ  
WE HEREBY CERTIFY THAT THE QUALITY MANAGEMENT SYSTEM OPERATED BY

**CHIARAVALLI GROUP S.p.A.**

Sede e Unità Operativa  
Via per Cadeone, 47B - 21044 Cavaria con Premezzo (VA)  
Amministrazione, Commerciale, Acquisti, magazzino centrale e logistica  
Unità Operativa  
L.M.C. S.r.l. - Via Tito Minetti, 96/3 - 21044 Cavaria con Premezzo (VA)  
Direzione, commerciale OEM, progettazione, lavorazioni meccaniche  
Via P. Rosconi, 5 - 21040 Ogliastro Santo Stefano (VA)  
Lavorazioni meccaniche, produzione lame per affettatrici  
Via della Carroccia, 33 - 21040 Menzengo di Sarmagno (VA)  
Lavorazioni meccaniche, produzione lame per affettatrici  
Via Dante, 40 - 21040 Arona con Orago (VA)  
Magazzino e logistica lame per affettatrici  
Italia

È CONFORME ALLA NORMA  
IS IN COMPLIANCE WITH THE STANDARD

**UNI EN ISO 9001:2008**

PER LE SEGUENTI ATTIVITÀ  
FOR THE FOLLOWING ACTIVITIES

**EA: 18 - 29**

Commercializzazione, progettazione e produzione di organi di trasmissione meccanica di potenza, pignoni, carter, pulegge, ruote dentate, coppie coniche, cingolati e cingolieri. Commercializzazione di Galere e cinghie. Produzione di lame per affettatrici.

Trading, design and production of power transmission components: pinwheels, pulleys, sprockets, bevel gears, shaft clamping elements, racks. Trading of chain and belt. Production of slicing machine blades.

Riferirsi al Manuale della Qualità per l'applicabilità dei requisiti della norme di riferimento.  
Refer to Quality Manual for details of application or reference standard requirements.

Il presente certificato è soggetto al rispetto del regolamento per la certificazione dei sistemi di gestione per la qualità delle attività.  
This certificate is subject to compliance with the requirements of the rules for the certification of company quality management systems.

Data emissione First issue 20/05/1999	Estensione corrente Current issue 12/06/2015	Data di scadenza Expiring date 11/06/2018
---	--	---

ICIM S.p.A.  
Via Cava Sesto, 19 - 20020 Sesto San Giovanni (MI)

CCBQ is the Italian Federation of management systems Certification Bodies.

**ACCREDIA**  
UNIVERSITÀ DI PADOVA

**CISQ**  
www.cisq.com

**IQNet**  
THE INTERNATIONAL CERTIFICATION NETWORK

**CERTIFICATE**

IQNET and CISQ/ICIM hereby certify that the organization

**CHIARAVALLI GROUP S.p.A.**

Head Office and Operative Unit  
Via per Cadeone, 47B - 21044 Cavaria con Premezzo (VA)  
Sede Operativa  
L.M.C. S.r.l. - Via Tito Minetti, 96/3 - 21044 Cavaria con Premezzo (VA)  
Via P. Rosconi, 5 - 21040 Ogliastro Santo Stefano (VA)  
Via della Carroccia, 33 - 21040 Menzengo di Sarmagno (VA)  
Via Dante, 40 - 21040 Arona con Orago (VA)

for the following field of activities  
Trading, design and production of power transmission components: pinwheels, pulleys, sprockets, bevel gears, shaft clamping elements, racks. Trading of chain and belt. Production of slicing machine blades.

has implemented and maintains a  
Quality Management System  
which fulfills the requirements of the following standard  
**ISO 9001:2008**

Issued on: **2015-06-12**  
Validity date: **2018-06-11**

Registration Number: **IT-7734**

**IQNet** *Michael Drechsel*  
Michael Drechsel  
President of IQNET

**CISQ** *Ing. Claudio Proietti*  
Ing. Claudio Proietti  
President of CISQ

IQNet Partners:  
AENOR, Spain; AFNOR Certification, France; ABN-Vrijheid International, Belgium; ANCE-SIME, Mexico; APCER, Portugal; CCC, Cyprus; CISQ, Italy; CQC, China; CQM, China; CQS, Czech Republic; Cto Cert, Croatia; DQS Holding GmbH, Germany; FCAV, Brazil; FONDONORMA, Honduras; IQNETEC, Colombia; IMCQ, Mexico; Inspira Certification, Finland; IRAM, Argentina; IQA, Japan; KIQ, Korea; MGRTEC, Germany; MGT, Hungary; NENCO, AS, Norway; NSAI, Ireland; PCB, Poland; Qualis, Australia; Quanta, EE, Romania; SH, Israel; SIS, Slovenia; SIRM, CAS International, Malaysia; SGS Switzerland; SLAC, Romania; TEST, St. Petersburg, Russia; TSE, Turkey; VIXOS, Serbia

IQNet is represented in the USA by: AFNOR Certification, CISQ, DQS Holding GmbH and NSAI Inc.

\* The list of IQNet partners is valid at the time of issue of this certificate. Updated information is available under www.iqnet-certification.com



Sprockets and Idler Sprockets



Platewheels, Wheels for table top chains, Hubs and adaptors



Tensioners and Chaintensioners CHT® Brand



Chains and Polyethylene Chain guide rail



Straight spur gears and racks



Bevel gears



Timing pulleys



V-belt pulleys



Timing bars, Flanges for pulleys, Clamping belts plates



Taper bushes BrandRCB®



Clamping elements RCK® Brand



Flexible couplings GIFLEX® Brand, Torque limiters



Collars and washers



Pillow blocks FSB® Brand, Monoblock pillow blocks RCM® Brand



Adjustable motor mounting





*CHIARAVALLI GROUP world:  
much more than a collection of perfects mechanical components*



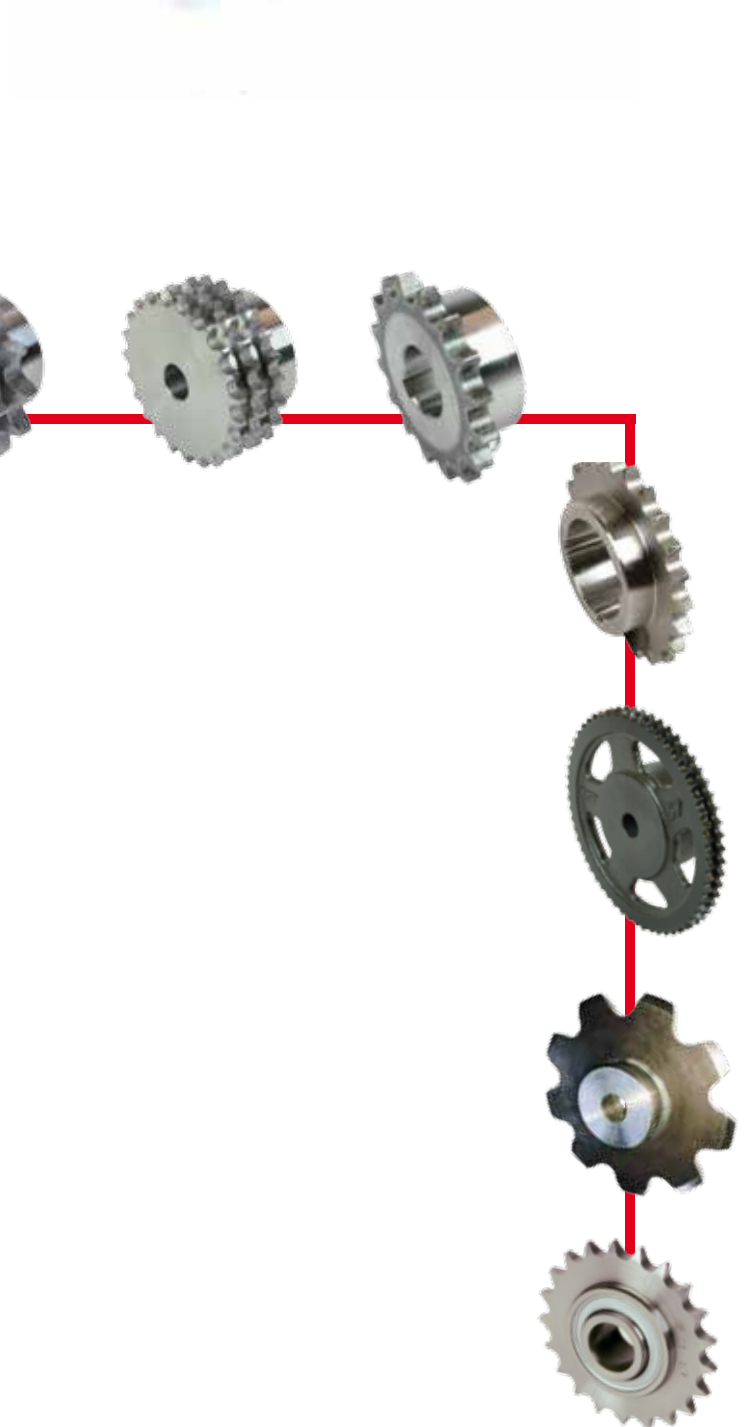
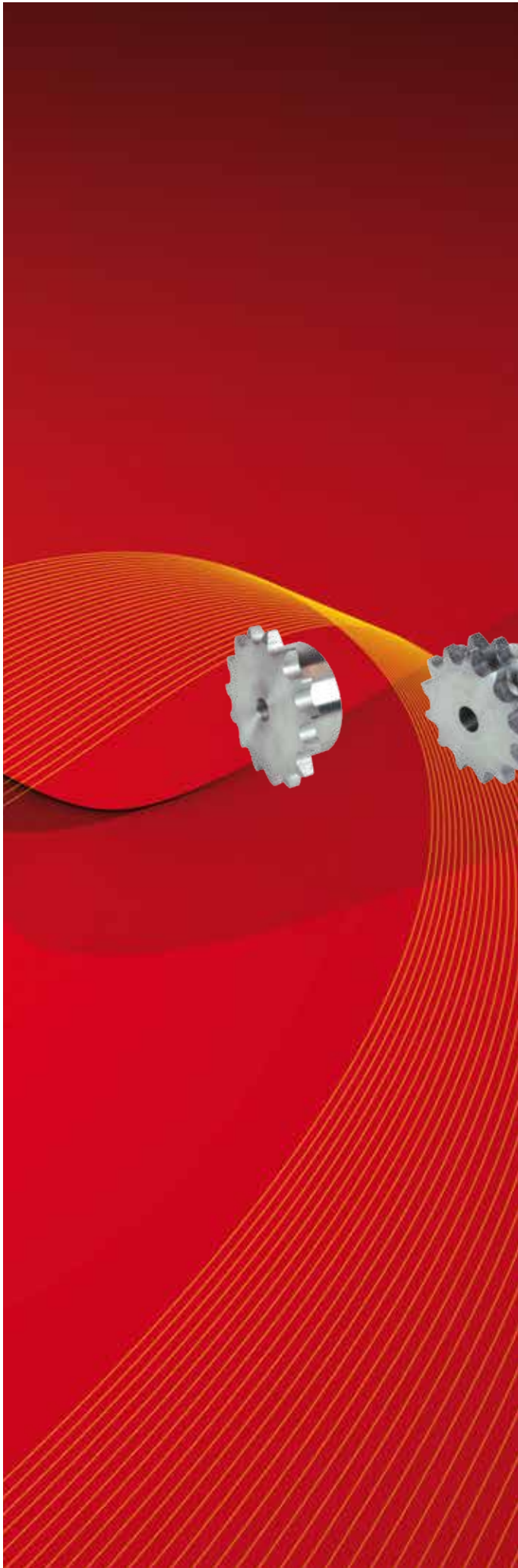


# SPROCKETS

<b>ISO CHAIN SPROCKETS</b>	page 4
<b>ASA CHAIN SPROCKETS</b>	21
<b>STAINLESS STEEL CHAIN SPROCKETS</b>	28
<b>SIMPLE CHAIN SPROCKETS HARDENED</b>	30
<b>SIMPLE CHAIN SPROCKETS WITH HARDENED TEETH WITH HOLE + KEYWAY + SCREW HOLES</b>	32
<b>TAPER LOCK<sup>®</sup> CHAIN SPROCKETS</b>	42
<b>CHAIN SPROCKETS IN CAST IRON</b>	46
<b>CHAIN SPROCKETS FOR CONVEYORS AND ELEVATORS</b>	50
<b>IDLER SPROCKETS</b>	52



# CHAIN SPROCKETS FOR ROLLER CHAINS







The range of sprockets designed for chains manufactured by our Company provides an all-round solution to the needs of industry in the sector of flexible mechanical transmissions and is the result of a manufacturing process that is designed to achieve the top in terms of technical and quality performance.

Our production programme includes sprockets and wheels designed for chains, produced in compliance with the principles and with the most recent Standards and International Unified Standards: UNI, ISO, DIN, ANSI, etc.

However, the standards define a profile with minimum dimensions and a profile with maximum dimensions for the wheel space for chains and rollers and the actual profile must lie within these values.

There is the option of selecting proportioning criteria for the profile, since the tolerances that the Standards leave to the manufacturer's discretion are quite wide. The profiles can be optimised in terms of smooth transmission and the tooth's capacity to support greater stresses. This has led to the systematic development of a series of standardised profiles for which the geometry can be reproduced with great precision by tools designed specifically by computer and the reference profile of which is protected by the Company's knowhow.

A valued feature of this optimised profile, which is a characteristic exclusive to CHIARAVALLI GROUP SpA, is that of enhancing the "polygonal" chain wrap-around on the sprocket and on the platewheel, reproducing the motion discontinuity which is achieved even in the case of unfavourable transmission ratios and centre distances.

As a result of this CHIARAVALLI GROUP SpA has been able to include sprockets with a very low number of teeth in its catalogue and production programme.

Respecting precision with limited machining errors is beneficial, even if the toothed wheel-chain set represents a somewhat "basic" transmission solution.

This precision is assured by the systematic use of CNC machines and technologies developed to minimise the shearing stress and to improve the degree of surface finish.

The sprockets and wheels designed for chains included in the catalogue are also manufactured in the version with the "Taperlock" taper bush piece system particularly favoured in applications that require easy assembly and very precise centring tolerances.

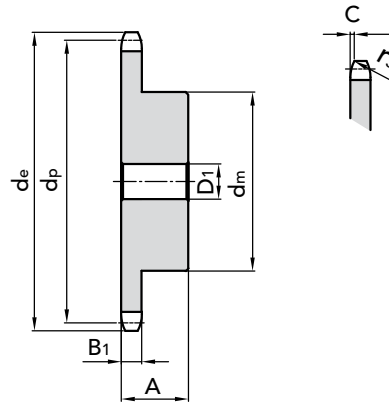
Our sales programme is completed with single and multiple roller chains, and special chains suitable for every industrial application and CHIARAVALLI GROUP SpA is also able to manufacture sprockets and platewheels suitable for chains in a specific execution, produced to drawing any of material and with induction hardening and case-hardening and hardening applied to steel wheels and sprockets.


**5 x 2.5 mm**
**CHAIN SPROCKETS**

Tooth radius $r_3$	5	mm
Radius width $\bar{C}$	0,6	mm
Sprockets tooth width $B_1$	2,3	mm

**CHAIN**

Pitch	5	mm
Inner width	2,5	mm
Roller $\varnothing$	3,2	mm


**SIMPLES**

Z	d <sub>e</sub>	d <sub>p</sub>	PART NUMBER	d <sub>m</sub>	D <sub>1</sub>	A	kg.
8	15,20	13,06	10105008	7	4	10	0,01
9	16,80	14,62	10105009	8	4	10	0,01
10	18,30	16,18	10105010	9	4	10	0,01
11	19,90	17,75	10105011	11	5	10	0,01
12	21,50	19,32	10105012	12	5	10	0,01
13	23,00	20,89	10105013	14	5	10	0,01
14	24,60	22,47	10105014	15	5	10	0,02
15	26,20	24,04	10105015	16	5	10	0,02
16	27,80	25,63	10105016	18	6	13	0,02
17	29,40	27,20	10105017	18	6	13	0,03
18	30,90	28,79	10105018	18	6	13	0,03
19	32,50	30,38	10105019	18	6	13	0,03
20	34,10	31,96	10105020	18	6	13	0,03
21	35,70	33,54	10105021	20	8	13	0,04
22	37,30	35,13	10105022	20	8	13	0,04
23	38,90	36,72	10105023	20	8	13	0,04
24	40,50	38,30	10105024	20	8	13	0,04
25	42,00	39,89	10105025	20	8	13	0,04
26	43,60	41,48	10105026	25	8	15	0,05
27	45,20	43,07	10105027	25	8	15	0,07
28	46,80	44,65	10105028	25	8	15	0,07
29	48,40	46,25	10105029	25	8	15	0,07
30	50,00	47,83	10105030	25	8	15	0,07
31	51,60	49,42	10105031	30	8	15	0,10
32	53,20	51,01	10105032	30	8	15	0,10
33	54,80	52,60	10105033	30	8	15	0,10
34	56,30	54,19	10105034	30	8	15	0,10
35	57,90	55,78	10105035	30	8	15	0,11
36	59,50	57,37	10105036	30	8	15	0,11
37	61,10	58,96	10105037	30	8	15	0,11
38	62,70	60,54	10105038	30	8	15	0,11
39	64,30	62,13	10105039	30	8	15	0,12
40	65,90	63,73	10105040	30	8	15	0,12

 MATERIAL **C 45 UNI 7845**

 CAD drawings available on our site  
[www.chiaravalli.com](http://www.chiaravalli.com)

 Quantity, availability and prices  
 on B2B Chiaravalli





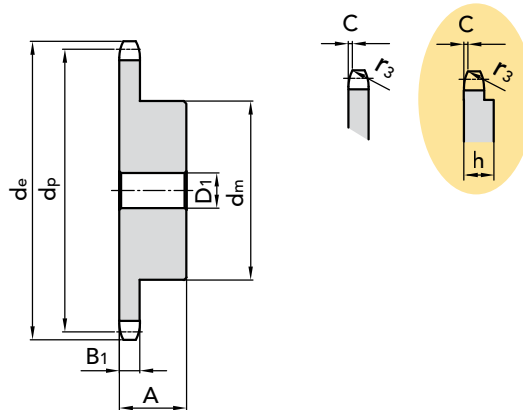

## 6 x 2.8 mm

### CHAIN SPROCKETS

Tooth radius $r_3$	6	mm
Radius width $\bar{C}$	0,7	mm
Sprockets tooth width $B_1$	2,6	mm

### CHAIN

Pitch	6	mm
Inner width	2,8	mm
Roller $\varnothing$	4	mm



### SIMPLES

Z	$d_e$	$d_p$	PART NUMBER	$d_m$	$D_1$	A	kg.
8	18,00	15,67	10106008	9,8	5	10	0,01
9	19,90	17,54	10106009	11,5	5	10	0,01
10	21,70	19,42	10106010	13	6	10	0,01
11	23,60	21,30	10106011	14	6	10	0,01
12	25,40	23,18	10106012	16	6	10	0,02
13	27,30	25,05	10106013	18	8	10	0,02
14	29,20	26,96	10106014	20	8	10	0,03
15	31,00	28,86	10106015	20	8	10	0,03
16	33,00	30,76	10106016	20	8	13	0,03
17	35,00	32,65	10106017	20	8	13	0,04
18	36,90	34,55	10106018	20	8	13	0,04
19	38,80	36,44	10106019	20	8	13	0,04
20	40,70	38,34	10106020	20	8	13	0,04
21	42,60	40,25	10106021	25	8	13	0,06
22	44,50	42,16	10106022	25	8	13	0,06
23	46,40	44,06	10106023	25	8	13	0,06
24	48,30	45,96	10106024	25	8	13	0,07
25	50,20	47,87	10106025	25	8	13	0,07
26	52,10	49,76	10106026	30	8	15	0,10
27	54,00	51,67	10106027	30	8	15	0,10
28	55,90	53,58	10106028	30	8	15	0,11
29	57,80	55,50	10106029	30	8	15	0,11
30	59,80	57,42	10106030	30	8	15	0,11
31	61,70	59,31	10106031	30	8	15	0,11
32	63,60	61,21	10106032	30	8	15	0,12
33	65,50	63,11	10106033	30	8	15	0,12
34	67,40	65,02	10106034	30	8	15	0,12
35	69,30	66,93	10106035	30	8	15	0,13
36	71,20	68,84	10106036	30	8	15	0,13
37	73,10	70,75	10106037	30	8	15	0,14
38	75,00	72,66	10106038	30	8	15	0,14
39	76,90	74,57	10106039	30	8	15	0,14
40	78,90	76,47	10106040	30	8	15	0,15
45	88,50	86,01	10106045	40	10	16	0,46
48	94,20	91,74	10106048	62	12	18	0,48
50	98,00	95,55	10106050	50	12	20	0,49
57	111,40	108,93	10106057	50	12	20	0,53
76	147,60	145,19	10106076	60	12	20	1,58

MATERIAL C 45 UNI 7845

From Z 57 to Z 76 the width disk wheel is increased to  $h = 4\text{mm}$

CAD drawings available on our site  
[www.chiaravalli.com](http://www.chiaravalli.com)

Quantity, availability and prices  
 on B2B Chiaravalli





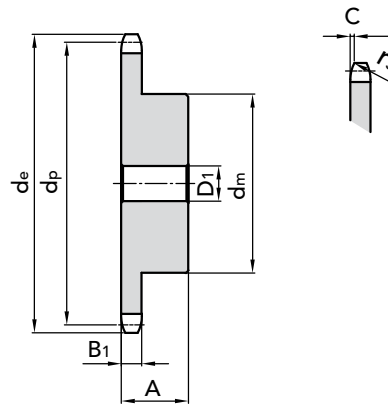
1/4" x 1/8"

## CHAIN SPROCKETS

Tooth radius $r_3$	6,4	mm
Radius width $\check{C}$	0,7	mm
Sprockets tooth width $B_{1a}$	2,9	mm

## CHAIN

Pitch	6,35	mm
Inner width	3,18	mm
Roller $\varnothing$	3,3	mm



## SIMPLES

Z	d <sub>e</sub>	d <sub>p</sub>	PART NUMBER	d <sub>m</sub>	D <sub>1</sub>	A	kg.
8	19,40	16,58	10107008	10	6	12	0,01
9	21,40	18,56	10107009	11,5	6	12	0,01
10	23,30	20,55	10107010	13	6	12	0,02
11	25,30	22,54	10107011	15	8	13	0,02
12	27,30	24,53	10107012	17	8	13	0,02
13	29,30	26,53	10107013	17	8	13	0,03
14	31,30	28,53	10107014	17	8	13	0,03
15	33,30	30,53	10107015	20	8	13	0,04
16	35,30	32,55	10107016	22	8	14	0,05
17	37,30	34,55	10107017	22	8	14	0,05
18	39,40	36,56	10107018	25	8	14	0,06
19	41,40	38,58	10107019	25	8	14	0,06
20	43,40	40,58	10107020	25	8	14	0,06
21	45,40	42,60	10107021	30	8	14	0,08
22	47,40	44,62	10107022	30	8	14	0,09
23	49,40	46,63	10107023	30	8	14	0,09
24	51,40	48,64	10107024	30	8	14	0,09
25	53,50	50,66	10107025	30	8	14	0,10
26	55,50	52,67	10107026	30	8	16	0,11
27	57,50	54,69	10107027	30	8	16	0,12
28	59,50	56,71	10107028	30	8	16	0,12
29	61,50	58,73	10107029	30	8	16	0,12
30	63,60	60,75	10107030	30	8	16	0,13
31	65,60	62,76	10107031	30	8	16	0,13
32	67,60	64,78	10107032	30	8	16	0,13
33	69,60	66,80	10107033	30	8	16	0,14
34	71,60	68,82	10107034	30	8	16	0,17
35	73,60	70,84	10107035	30	8	16	0,17
36	75,60	72,85	10107036	30	8	16	0,15
37	77,70	74,87	10107037	30	8	16	0,18
38	79,70	76,89	10107038	30	8	16	0,16
39	81,70	78,91	10107039	30	8	16	0,19
40	83,70	80,93	10107040	30	8	16	0,17

MATERIAL C 45 UNI 7845

CAD drawings available on our site  
[www.chiaravalli.com](http://www.chiaravalli.com)

Quantity, availability and prices  
 on B2B Chiaravalli







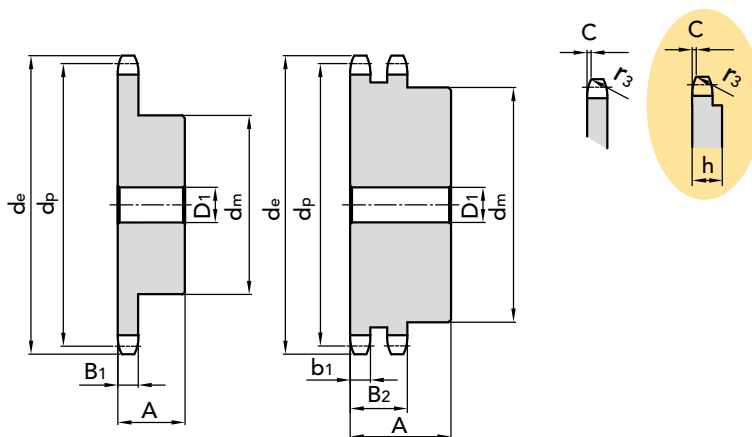
## 8 x 3 mm

### CHAIN SPROCKETS

Tooth radius $r_3$	8	mm
Radius width $\bar{C}$	1,0	mm
Sprockets tooth width $B_1$	2,8	mm
Sprockets tooth width $b_1$	2,7	mm
Sprockets tooth width $B_2$	8,3	mm

### CHAIN

Pitch	8	mm
Inner width	3	mm
Roller $\varnothing$	5	mm



### SIMPLES

### DOUBLE

Z	d <sub>e</sub>	d <sub>p</sub>	PART NUMBER	d <sub>m</sub>	D <sub>1</sub>	A	kg.	PART NUMBER	d <sub>m</sub>	D <sub>1</sub>	A	kg.
8	24,00	20,90	10108008	13	6	12	0,01	10208008	12	8	18	0,02
9	26,60	23,39	10108009	15	6	12	0,02	10208009	15	8	18	0,03
10	29,20	25,89	10108010	17	8	12	0,02	10208010	17	8	18	0,03
11	31,70	28,39	10108011	18	8	13	0,03	10208011	19	10	18	0,04
12	34,20	30,91	10108012	20	8	13	0,04	10208012	21	10	18	0,05
13	36,70	33,42	10108013	23	8	13	0,05	10208013	24	10	18	0,07
14	39,20	35,95	10108014	25	8	13	0,05	10208014	26	10	18	0,08
15	41,70	38,48	10108015	28	8	13	0,07	10208015	29	10	18	0,10
16	44,30	41,01	10108016	30	8	14	0,08	10208016	32	10	20	0,13
17	46,80	43,53	10108017	30	8	14	0,09	10208017	34	10	20	0,15
18	49,30	46,07	10108018	30	8	14	0,09	10208018	37	10	20	0,17
19	51,90	48,61	10108019	30	8	14	0,09	10208019	39	10	20	0,20
20	54,40	51,14	10108020	30	8	14	0,10	10208020	40	10	20	0,21
21	57,00	53,68	10108021	35	8	14	0,12	10208021	40	10	20	0,25
22	59,50	56,21	10108022	35	8	14	0,13	10208022	40	10	20	0,26
23	62,00	58,75	10108023	35	8	14	0,13	10208023	40	10	20	0,28
24	64,60	61,29	10108024	35	8	14	0,14	10208024	40	10	20	0,23
25	67,50	63,83	10108025	35	8	14	0,15	10208025	40	10	20	0,31
26	69,50	66,37	10108026	40	10	16	0,19	10208026	50	12	22	0,38
27	72,20	68,91	10108027	40	10	16	0,20	10208027	50	12	22	0,40
28	74,80	71,45	10108028	40	10	16	0,21	10208028	50	12	22	0,42
29	77,30	73,99	10108029	40	10	16	0,22	10208029	50	12	22	0,44
30	79,80	76,53	10108030	40	10	16	0,22	10208030	50	12	22	0,45
31	82,40	79,08	10108031	40	10	16	0,22	10208031	60	12	22	0,58
32	84,90	81,61	10108032	40	10	16	0,23	10208032	60	12	22	0,59
33	87,50	84,16	10108033	40	10	16	0,24	10208033	60	12	22	0,62
34	90,00	86,70	10108034	40	10	16	0,25	10208034	60	12	22	0,64
35	92,50	89,25	10108035	40	10	16	0,25	10208035	60	12	22	0,65
36	95,00	91,79	10108036	40	10	16	0,26	10208036	60	12	22	0,67
37	97,60	94,33	10108037	40	10	16	0,27	10208037	60	12	22	0,71
38	100,20	96,88	10108038	40	10	16	0,28	10208038	60	12	22	0,72
39	102,70	99,42	10108039	40	10	16	0,29	10208039	60	12	22	0,74
40	105,30	101,97	10108040	40	10	16	0,58	10208040	60	12	22	0,77
45	118,00	114,69	10108045	60	12	20	0,67					
48	125,6	122,32	10108048	60	12	20	0,63					
50	130,70	127,41	10108050	60	12	20	1,00					
57	148,60	145,22	10108057	80	14	20	1,53					
76	197,70	193,59	10108076	80	20	25	1,94					

MATERIAL C 45 UNI 7845

From Z 57 to Z 76 the width of the wheel disk increased to  $h = 4\text{mm}$

CAD drawings available on our site  
[www.chiaravalli.com](http://www.chiaravalli.com)

Quantity, availability and prices  
 on B2B Chiaravalli



CHAIN SPROCKETS 8 x 3 mm for roller chains in compliance with DIN 8187 - ISO/R 606



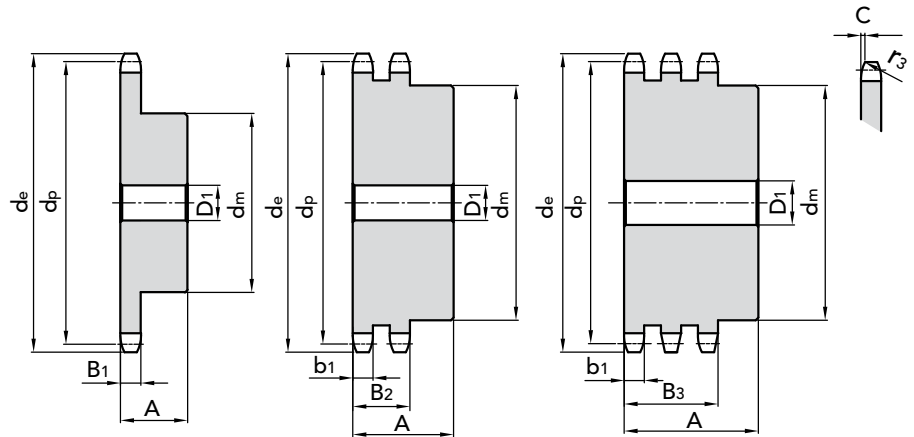
3/8" x 7/32"

## CHAIN SPROCKETS

Tooth radius $r_3$	10	mm
Radius width $\bar{C}$	1	mm
Sprockets tooth width $B_1$	5,3	mm
Sprockets tooth width $b_1$	5,2	mm
Sprockets tooth width $B_2$	15,4	mm
Sprockets tooth width $B_3$	25,6	mm

## CHAIN

Pitch	9,525	mm
Inner width	5,72	mm
Roller $\varnothing$	6,35	mm



## SIMPLES

## DOUBLE

## TRIPLE

Z	d <sub>e</sub>	d <sub>p</sub>	PART NUMBER	d <sub>m</sub>	D <sub>1</sub>	A	kg.	PART NUMBER	d <sub>m</sub>	D <sub>1</sub>	A	kg.	PART NUMBER	d <sub>m</sub>	D <sub>1</sub>	A	kg.
8	28,54	24,89	10109008	15	6	22	0,03	10209008	15	6	22	0,04	10309008	15	6	32	0,05
9	31,50	27,85	10109009	18	8	22	0,04	10209009	18	8	22	0,05	10309009	18	8	32	0,06
10	34,47	30,82	10109010	20	8	22	0,05	10209010	20	8	22	0,07	10309010	20	10	32	0,09
11	37,46	33,81	10109011	22	8	25	0,08	10209011	22	10	25	0,10	10309011	22	10	35	0,11
12	40,45	36,80	10109012	25	8	25	0,10	10209012	25	10	25	0,13	10309012	25	10	35	0,15
13	43,45	39,80	10109013	28	10	25	0,13	10209013	28	10	25	0,16	10309013	28	10	35	0,18
14	46,45	42,80	10109014	31	10	25	0,16	10209014	31	10	25	0,20	10309014	31	12	35	0,23
15	49,46	45,81	10109015	34	10	25	0,19	10209015	34	10	25	0,24	10309015	34	12	35	0,27
16	52,47	48,82	10109016	37	10	30	0,24	10209016	37	12	30	0,27	10309016	37	12	35	0,35
17	55,49	51,84	10109017	40	10	30	0,28	10209017	40	12	30	0,32	10309017	40	12	35	0,40
18	58,50	54,85	10109018	43	10	30	0,33	10209018	43	12	30	0,38	10309018	43	12	35	0,45
19	61,52	57,87	10109019	45	10	30	0,36	10209019	46	12	30	0,42	10309019	46	12	35	0,50
20	64,54	60,89	10109020	46	10	30	0,39	10209020	49	12	30	0,48	10309020	49	12	35	0,55
21	67,56	63,91	10109021	48	12	30	0,42	10209021	52	12	30	0,52	10309021	52	14	40	0,70
22	70,58	66,93	10109022	50	12	30	0,46	10209022	55	12	30	0,58	10309022	55	14	40	0,80
23	73,60	69,95	10109023	52	12	30	0,50	10209023	58	12	30	0,64	10309023	58	14	40	0,90
24	76,62	72,97	10109024	54	12	30	0,54	10209024	61	12	30	0,71	10309024	61	14	40	0,98
25	79,65	76,00	10109025	57	12	30	0,60	10209025	64	12	30	0,79	10309025	64	14	40	1,05
26	82,67	79,02	10109026	60	12	30	0,66	10209026	67	12	30	0,87	10309026	67	14	40	1,15
27	85,70	82,05	10109027	60	12	30	0,67	10209027	70	12	30	0,94	10309027	70	14	40	1,25
28	88,72	85,07	10109028	60	12	30	0,69	10209028	73	12	30	1,03	10309028	73	14	40	1,35
29	91,75	88,10	10109029	60	12	30	0,70	10209029	76	12	30	1,11	10309029	76	14	40	1,46
30	94,77	91,12	10109030	60	12	30	0,72	10209030	79	12	30	1,20	10309030	79	14	40	1,60
31	97,80	94,15	10109031	65	14	30	0,87	10209031	80	16	30	1,27	10309031	80	16	40	1,70
32	100,83	97,18	10109032	65	14	30	0,89	10209032	80	16	30	1,32	10309032	80	16	40	1,77
33	103,85	100,20	10109033	65	14	30	0,91	10209033	80	16	30	1,37	10309033	80	16	40	1,85
34	106,88	103,23	10109034	65	14	30	0,92	10209034	80	16	30	1,43	10309034	85	16	40	2,00
35	109,91	106,26	10109035	65	14	30	0,95	10209035	80	16	30	1,49	10309035	85	16	40	2,15
36	112,94	109,29	10109036	70	16	30	1,05	10209036	90	16	30	1,70	10309036	90	16	40	2,25
37	115,97	112,32	10109037	70	16	30	1,09	10209037	90	16	30	1,76	10309037	90	16	40	2,30
38	118,99	115,34	10109038	70	16	30	1,10	10209038	90	16	30	1,81	10309038	90	16	40	2,55
39	122,02	118,37	10109039	70	16	30	1,12	10209039	90	16	30	1,88	10309039	90	16	40	2,65
40	125,05	121,40	10109040	70	16	30	1,14	10209040	90	16	30	1,95	10309040	90	16	40	2,80
42	131,11	127,46	10109042	80	16	32	1,56	10209042	90	16	40	2,44					
45	140,20	136,55	10109045	80	16	32	1,66	10209045	90	16	40	3,15	10309045	90	16	56	4,72
48	149,29	145,64	10109048	80	16	32	1,75	10209048	90	16	40	3,43					
50	155,34	151,69	10109050	80	16	32	1,80	10209050	90	16	40	3,53	10309050	90	16	56	5,29
57	176,56	172,91	10109057	80	16	32	1,96	10209057	90	16	40	4,16	10309057	90	16	56	6,24
60	185,65	182,00	10109060	80	16	32	2,03	10209060	90	16	40	4,45	10309060	90	20	56	6,67
76	234,14	230,49	10109076	80	20	32	2,67	10209076	90	20	40	6,23	10309076	100	20	56	9,34

MATERIAL **C 45 UNI 7845**  
FOR MONOLITHIC CHAIN SPROCKETS

MATERIAL **FE**  
FOR CHAIN SPROCKETS WITH WELDED HUB

CAD drawings available on our site  
[www.chiaravalli.com](http://www.chiaravalli.com)

Quantity, availability and prices  
on B2B Chiaravalli





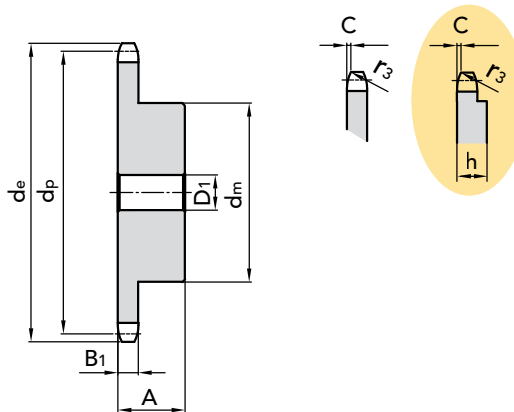
## 1/2" x 1/8"

### CHAIN SPROCKETS

Tooth radius $r_3$	13	mm
Radius width $\bar{C}$	1	mm
Sprockets tooth width $B_1$	3	mm

### CHAIN

Pitch	12,7	mm
Inner width	3,3	mm
Roller $\varnothing$	7,75	mm



### SIMPLES

Z	d <sub>e</sub>	d <sub>p</sub>	PART NUMBER	d <sub>m</sub>	D <sub>1</sub>	A	kg.
8	38,44	33,18	10110008	21	8	14	0,04
9	42,38	37,13	10110009	25	8	14	0,06
10	46,35	41,10	10110010	28	8	14	0,07
11	50,33	45,07	10110011	31	8	16	0,10
12	54,32	49,07	10110012	35	8	16	0,13
13	58,32	53,06	10110013	39	8	16	0,16
14	62,32	57,07	10110014	43	8	16	0,19
15	66,33	61,09	10110015	47	8	16	0,23
16	70,35	65,10	10110016	50	10	18	0,29
17	74,37	69,11	10110017	50	10	18	0,30
18	78,39	73,14	10110018	50	10	18	0,31
19	82,41	77,16	10110019	50	10	18	0,32
20	86,43	81,19	10110020	50	10	18	0,33
21	90,46	85,22	10110021	60	12	20	0,48
22	94,49	89,24	10110022	60	12	20	0,49
23	98,52	93,27	10110023	60	12	20	0,51
24	102,55	97,29	10110024	60	12	20	0,52
25	106,58	101,33	10110025	60	12	20	0,53
26	110,61	105,36	10110026	70	16	20	0,67
27	114,65	109,40	10110027	70	16	20	0,69
28	118,68	113,42	10110028	70	16	20	0,70
29	122,71	117,46	10110029	70	16	20	0,72
30	126,75	121,50	10110030	70	16	20	0,74
31	130,76	125,54	10110031	70	16	20	0,76
32	134,82	129,56	10110032	70	16	20	0,77
33	138,86	133,60	10110033	70	16	20	0,79
34	142,89	137,64	10110034	70	16	20	0,81
35	146,93	141,68	10110035	70	16	20	0,83
36	150,97	145,72	10110036	70	16	25	1,00
37	155,00	149,76	10110037	70	16	25	1,02
38	159,04	153,80	10110038	70	16	25	1,04
39	163,08	157,83	10110039	70	16	25	1,06
40	167,12	161,87	10110040	70	16	25	1,09

MATERIAL **C 45 UNI 7845**

From **Z 31** the width of the disk wheel is increased to **h = 5mm**

CAD drawings available on our site  
[www.chiaravalli.com](http://www.chiaravalli.com)

Quantity, availability and prices  
 on B2B Chiaravalli



CHAIN SPROCKETS 1/2" x 1/8" for roller chains in compliance with DIN 8187 - ISO/R 606



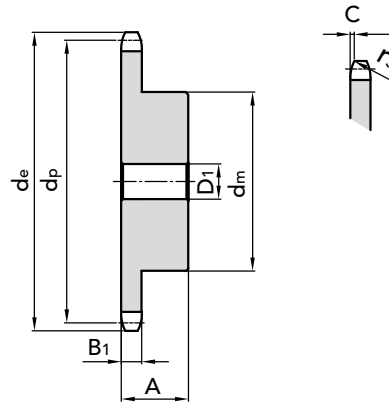
## 1/2" x 3/16"

## CHAIN SPROCKETS

Tooth radius $r_3$	13 mm
Radius width $\bar{C}$	1,3 mm
Sprockets tooth width $B_1$	4,5 mm

## CHAIN

Pitch	12,7 mm
Inner width	4,88 mm
Roller $\varnothing$	7,75 mm



## SIMPLES

Z	d <sub>e</sub>	d <sub>p</sub>	PART NUMBER	d <sub>m</sub>	D <sub>1</sub>	A	kg.
8	38,50	33,18	10111008	21	8	14	0,02
9	41,50	37,13	10111009	25	8	14	0,03
10	46,20	41,10	10111010	28	8	14	0,04
11	49,60	45,07	10111011	31	8	16	0,05
12	53,90	49,07	10111012	35	8	16	0,05
13	58,40	53,06	10111013	39	8	16	0,06
14	62,80	57,07	10111014	43	8	16	0,08
15	66,80	61,09	10111015	47	8	16	0,09
16	70,90	65,10	10111016	50	10	18	0,10
17	74,90	69,11	10111017	50	10	18	0,12
18	78,90	73,14	10111018	50	10	18	0,13
19	82,90	77,16	10111019	50	10	18	0,15
20	86,90	81,19	10111020	50	10	18	0,16
21	91,00	85,22	10111021	60	12	20	0,18
22	95,00	89,24	10111022	60	12	20	0,20
23	99,00	93,27	10111023	60	12	20	0,22
24	103,00	97,29	10111024	60	12	20	0,24
25	107,10	101,33	10111025	60	12	20	0,26
26	111,20	105,36	10111026	70	16	20	0,28
27	115,40	109,40	10111027	70	16	20	0,30
28	119,40	113,42	10111028	70	16	20	0,33
29	123,40	117,46	10111029	70	16	20	0,35
30	127,50	121,50	10111030	70	16	20	0,38
31	131,50	125,54	10111031	70	16	20	0,40
32	135,50	129,56	10111032	70	16	20	0,43
33	139,60	133,60	10111033	70	16	20	0,46
34	143,60	137,64	10111034	70	16	20	0,49
35	147,60	141,68	10111035	70	16	20	0,52
36	151,70	145,72	10111036	70	16	25	0,55
37	155,70	149,76	10111037	70	16	25	0,58
38	159,80	153,80	10111038	70	16	25	0,62
39	163,80	157,83	10111039	70	16	25	0,65
40	167,80	161,87	10111040	70	16	25	0,68

MATERIAL C 45 UNI 7845

CAD drawings available on our site  
[www.chiaravalli.com](http://www.chiaravalli.com)

Quantity, availability and prices  
 on B2B Chiaravalli







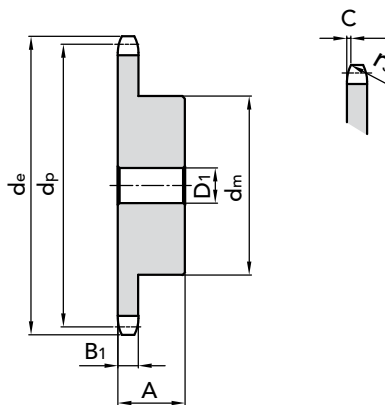
## 1/2" x 1/4" rullo 7.75

### CHAIN SPROCKETS

Tooth radius $r_3$	13 mm
Radius width $\bar{C}$	1,3 mm
Sprockets tooth width $B_1$	5,9 mm

### CHAIN

Pitch	12,7 mm
Inner width	6,4 mm
Roller $\varnothing$	7,75 mm



### SIMPLES

Z	d <sub>e</sub>	d <sub>p</sub>	PART NUMBER	d <sub>m</sub>	D <sub>1</sub>	A	kg.
15							
16							
17	74,37	69,11	10113017	52	8	28	0,51
21	90,46	85,22	10113021	68	8	28	0,83
22	94,49	89,24	10113022	70	8	28	0,90
23	98,52	93,27	10113023	70	8	28	0,94
25							
26	110,61	105,36	10113026	70	8	30	1,09
27							
28	118,68	113,42	10113028	70	10	30	1,13
29	122,71	117,46	10113029	80	10	30	1,39
30	126,75	121,50	10113030	80	10	30	1,41
31	130,78	125,54	10113031	90	10	30	1,22
32							
33	138,86	133,60	10113033	90	10	30	1,29
34	142,89	137,64	10113034	90	10	30	1,83
35	146,93	141,68	10113035	90	10	30	1,89
36	150,97	145,72	10113036	90	10	30	2,14
38	159,04	153,80	10113038	90	12	35	2,22
39	163,08	157,83	10113039	90	12	35	1,65
40	167,12	161,87	10113040	90	12	35	2,41

MATERIAL C 45 UNI 7845

CAD drawings available on our site  
[www.chiaravalli.com](http://www.chiaravalli.com)

Quantity, availability and prices  
on B2B Chiaravalli

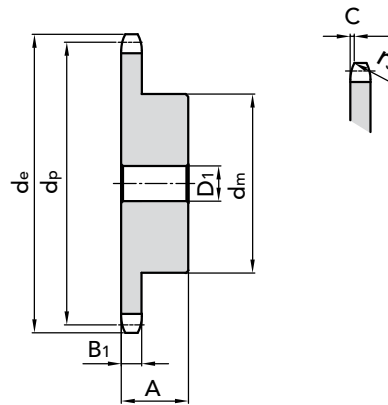



**1/2" x 1/4" rullo 8.51**
**CHAIN SPROCKETS**

Tooth radius $r_3$	13	mm
Radius width $\bar{C}$	1,3	mm
Sprockets tooth width $B_1$	5,9	mm

**CHAIN**

Pitch	12,7	mm
Inner width	6,4	mm
Roller $\varnothing$	8,51	mm


**SIMPLES**

Z	$d_e$	$d_p$	PART NUMBER	$d_m$	$D_1$	A	kg.
8	37,68	33,19	10114008	20	8	25	0,45
9	41,62	37,13	10114009	24	8	25	0,48
11	49,57	45,08	10114011	29	8	25	0,51
15	65,57	61,08	10114015	45	8	28	0,53
16							
17							
19	81,65	77,16	10114019	60	8	28	0,59
21							
22	93,73	89,24	10114022	70	10	28	0,78
23	97,76	93,27	10114023	70	10	28	0,91
25	105,82	101,33	10114025	70	10	28	0,98
26	109,85	105,36	10114026	70	10	30	1,01
27	113,89	109,40	10114027	70	10	30	1,04
28	117,92	113,43	10114028	70	10	30	1,18
29	121,95	117,46	10114029	80	10	30	1,25
30	125,99	121,50	10114030	80	10	30	1,32
31	130,02	125,53	10114031	90	10	30	1,39
32	134,06	129,57	10114032	90	10	30	1,44
33	138,10	133,61	10114033	90	12	30	1,49
34	142,13	137,64	10114034	90	12	30	1,54
35	146,17	141,68	10114035	90	12	30	1,59
36	150,21	145,72	10114036	90	12	35	1,64
38	158,28	153,79	10114038	90	12	35	1,66
39							
40	166,36	161,87	10114040	90	12	35	1,78

 MATERIAL **C 45 UNI 7845**

 CAD drawings available on our site  
[www.chiaravalli.com](http://www.chiaravalli.com)

 Quantity, availability and prices  
 on B2B Chiaravalli



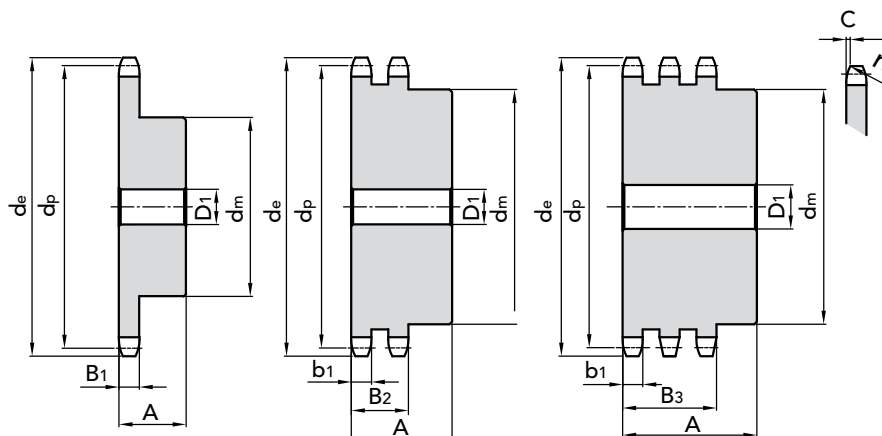

## 1/2" x 5/16"

### CHAIN SPROCKETS

Tooth radius $r_3$	13	mm
Radius width $\bar{C}$	1,3	mm
Sprockets tooth width $B_1$	7,2	mm
Sprockets tooth width $b_1$	7	mm
Sprockets tooth width $B_2$	21	mm
Sprockets tooth width $B_3$	34,9	mm

### CHAIN

Pitch	12,7	mm
Inner width	7,75	mm
Roller $\varnothing$	8,51	mm



### SIMPLES

### DOUBLE

### TRIPLE

Z	d <sub>e</sub>	d <sub>p</sub>	PART NUMBER	d <sub>m</sub>	D <sub>1</sub>	A	kg.	PART NUMBER	d <sub>m</sub>	D <sub>1</sub>	A	kg.	PART NUMBER	d <sub>m</sub>	D <sub>1</sub>	A	kg.
8	37,68	33,18	10112008	20	10	25	0,06	10212008	20	10	32	0,09	10312008	20	10	46	0,13
9	41,62	37,13	10112009	24	10	25	0,09	10212009	24	10	32	0,13	10312009	24	12	46	0,18
10	45,59	41,10	10112010	26	10	25	0,12	10212010	28	10	32	0,18	10312010	28	12	46	0,24
11	49,57	45,07	10112011	29	10	25	0,15	10212011	32	12	35	0,24	10312011	32	14	50	0,31
12	53,56	49,07	10112012	33	10	28	0,21	10212012	35	12	35	0,30	10312012	35	14	50	0,39
13	57,56	53,06	10112013	37	10	28	0,26	10212013	38	12	35	0,36	10312013	38	14	50	0,49
14	61,56	57,07	10112014	41	10	28	0,32	10212014	42	12	35	0,44	10312014	42	14	50	0,60
15	65,57	61,09	10112015	45	10	28	0,38	10212015	46	12	35	0,52	10312015	46	14	50	0,72
16	69,59	65,10	10112016	50	12	28	0,46	10212016	50	14	35	0,63	10312016	50	16	50	0,85
17	73,61	69,11	10112017	52	12	28	0,51	10212017	54	14	35	0,73	10312017	54	16	50	0,99
18	77,63	73,14	10112018	56	12	28	0,59	10212018	58	14	35	0,85	10312018	58	16	50	1,14
19	81,65	77,16	10112019	60	12	28	0,67	10212019	62	14	35	0,97	10312019	62	16	50	1,30
20	85,67	81,19	10112020	64	12	28	0,76	10212020	66	14	35	1,10	10312020	66	16	50	1,47
21	89,70	85,22	10112021	68	12	28	0,85	10212021	70	16	40	1,29	10312021	70	20	55	1,79
22	93,73	89,24	10112022	70	12	28	0,91	10212022	70	16	40	1,37	10312022	70	20	55	1,93
23	97,76	93,27	10112023	70	14	28	0,95	10212023	70	16	40	1,46	10312023	70	20	55	2,08
24	101,79	97,29	10112024	70	14	28	0,98	10212024	75	16	40	1,64	10312024	75	20	55	2,32
25	105,82	101,33	10112025	70	14	28	1,01	10212025	80	16	40	1,82	10312025	80	20	55	2,57
26	109,85	105,36	10112026	70	16	30	1,09	10212026	85	20	40	2,02	10312026	85	20	55	2,79
27	113,89	109,40	10112027	70	16	30	1,13	10212027	85	20	40	2,12	10312027	85	20	55	2,96
28	117,92	113,42	10112028	70	16	30	1,17	10212028	90	20	40	2,34	10312028	90	20	55	3,25
29	121,95	117,46	10112029	80	16	30	1,42	10212029	95	20	40	2,56	10312029	95	20	55	3,55
30	125,99	121,50	10112030	80	16	30	1,46	10212030	100	20	40	2,79	10312030	100	20	55	3,86
31	130,02	125,54	10112031	90	16	30	1,74	10212031	100	20	40	2,87	10312031	110	20	55	4,42
32	134,04	129,56	10112032	90	16	30	1,78	10212032	100	20	40	3,00	10312032	110	20	55	4,53
33	138,10	133,60	10112033	90	16	30	1,83	10212033	100	20	40	3,13	10312033	110	20	55	4,74
34	142,13	137,64	10112034	90	16	30	1,88	10212034	100	20	40	3,26	10312034	110	20	55	4,97
35	146,17	141,68	10112035	90	16	30	1,93	10212035	100	20	40	3,40	10312035	110	20	55	5,20
36	150,21	145,72	10112036	90	16	35	2,22	10212036	110	20	40	3,54	10312036	120	25	55	5,64
37	154,24	149,76	10112037	90	16	35	2,27	10212037	110	20	40	3,69	10312037	120	25	55	5,88
38	158,28	153,80	10112038	90	16	35	2,32	10212038	110	20	40	3,84	10312038	120	25	55	6,14
39	162,32	157,83	10112039	90	16	35	2,38	10212039	110	20	40	4,00	10312039	120	25	55	6,40
40	166,36	161,87	10112040	90	16	35	2,43	10212040	110	20	40	4,15	10312040	120	25	55	6,66
42								10212042	110	20	50	5,67					
45								10212045	110	20	50	6,26	10312045	110	25	60	9,12
48								10212048	110	20	50	6,75					
50								10212050	110	20	50	7,17	10312050	110	25	60	10,74
57								10212057	110	25	50	8,65	10312057	110	25	60	13,26
60								10212060	110	25	50	9,35	10312060	110	25	60	14,40
76								10212076	110	25	56	13,3	10312076	110	25	60	21,78

MATERIAL **C 45 UNI 7845**  
FOR MONOLITHIC CHAIN SPROCKETS

MATERIAL **FE**  
FOR CHAIN SPROCKETS WITH WELDED HUB

CAD drawings available on our site  
[www.chiaravalli.com](http://www.chiaravalli.com)

Quantity, availability and prices  
on B2B Chiaravalli



CHAIN SPROCKETS 1/2" x 5/16" for roller chains in compliance with DIN 8187 - ISO/R 606



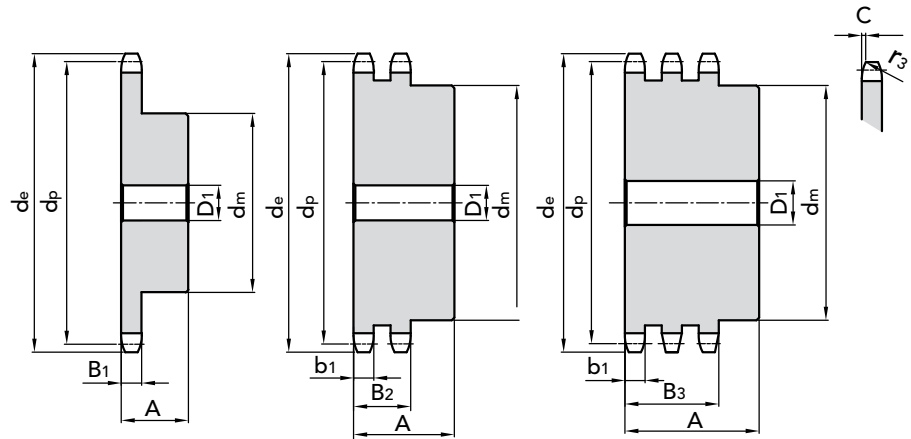
5/8" x 3/8"

## CHAIN SPROCKETS

Tooth radius $r_3$	16	mm
Radius width $\bar{C}$	1,6	mm
Sprockets tooth width $B_1$	9,1	mm
Sprockets tooth width $b_1$	9	mm
Sprockets tooth width $B_2$	25,5	mm
Sprockets tooth width $B_3$	42,1	mm

## CHAIN

Pitch	15,875	mm
Inner width	9,65	mm
Roller $\varnothing$	10,16	mm



## SIMPLES

## DOUBLE

## TRIPLE

Z	$d_e$	$d_p$	PART NUMBER	$d_m$	$D_1$	A	kg.	PART NUMBER	$d_m$	$D_1$	A	kg.	PART NUMBER	$d_m$	$D_1$	A	kg.
8	48,32	41,48	10115008	25	10	25	0,12	10215008	25	12	40	0,19	10315008	25	12	55	0,27
9	53,26	46,42	10115009	30	10	25	0,16	10215009	30	12	40	0,27	10315009	30	12	55	0,38
10	58,21	51,37	10115010	35	10	25	0,22	10215010	35	12	40	0,36	10315010	35	16	55	0,47
11	63,19	56,35	10115011	37	12	30	0,29	10215011	39	14	40	0,43	10315011	39	16	55	0,61
12	68,18	61,34	10115012	42	12	30	0,37	10215012	44	14	40	0,55	10315012	44	16	55	0,78
13	73,17	66,33	10115013	47	12	30	0,46	10215013	49	14	40	0,68	10315013	49	16	55	0,96
14	78,18	71,34	10115014	52	12	30	0,56	10215014	54	14	40	0,82	10315014	54	16	55	1,15
15	83,19	76,35	10115015	57	12	30	0,67	10215015	59	14	40	0,97	10315015	59	16	55	1,37
16	88,21	81,37	10115016	60	12	30	0,76	10215016	64	16	45	1,26	10315016	64	16	60	1,72
17	93,23	86,39	10115017	60	12	30	0,88	10215017	69	16	45	1,46	10315017	69	16	60	1,99
18	98,26	91,42	10115018	70	14	30	1,01	10215018	74	16	45	1,67	10315018	74	16	60	2,27
19	103,29	96,45	10115019	70	14	30	1,15	10215019	79	16	45	1,90	10315019	79	16	60	2,58
20	108,32	101,48	10115020	75	14	30	1,21	10215020	84	16	45	2,14	10315020	84	16	60	2,91
21	113,35	106,51	10115021	75	16	30	1,35	10215021	85	16	45	2,27	10315021	85	20	60	3,12
22	118,39	111,55	10115022	80	16	30	1,41	10215022	90	16	45	2,54	10315022	90	20	60	3,48
23	123,43	116,59	10115023	80	16	30	1,47	10215023	95	16	45	2,82	10315023	95	20	60	3,48
24	128,46	121,62	10115024	80	16	30	1,54	10215024	100	16	45	3,11	10315024	100	20	60	4,86
25	133,50	126,66	10115025	80	16	30	1,60	10215025	105	16	45	3,15	10315025	105	20	60	4,25
26	138,54	131,70	10115026	85	20	35	1,96	10215026	110	16	45	3,74	10315026	110	20	60	4,67
27	143,58	136,74	10115027	85	20	35	2,04	10215027	110	20	45	3,94	10315027	110	20	60	5,10
28	148,63	141,79	10115028	90	20	35	2,25	10215028	115	20	45	4,28	10315028	115	20	60	5,43
29	153,67	146,83	10115029	90	20	35	2,33	10215029	115	20	45	4,50	10315029	115	20	60	5,90
30	158,71	151,87	10115030	90	20	35	2,41	10215030	120	20	45	4,87	10315030	120	20	60	6,25
31	163,76	156,92	10115031	95	20	35	2,64	10215031	120	20	45	5,10	10315031	120	20	60	7,18
32	168,80	161,96	10115032	95	20	35	2,73	10215032	120	20	45	5,34	10315032	120	20	60	7,56
33	173,85	167,01	10115033	95	20	35	2,82	10215033	120	20	45	5,59	10315033	120	20	60	7,97
34	178,89	172,05	10115034	95	20	35	2,92	10215034	120	20	45	5,84	10315034	120	20	60	8,36
35	183,94	177,10	10115035	95	20	35	3,01	10215035	120	20	45	6,11	10315035	120	20	60	8,74
36	188,99	182,15	10115036	100	20	35	3,27	10215036	120	20	45	6,38	10315036	120	25	60	9,15
37	194,03	187,19	10115037	100	20	35	3,37	10215037	120	20	45	6,66	10315037	120	25	60	9,61
38	199,08	192,24	10115038	100	20	35	3,47	10215038	120	20	45	6,95	10315038	120	25	60	10,08
39	204,13	197,29	10115039	100	20	35	3,58	10215039	120	20	45	7,25	10315039	120	25	60	10,57
40	209,17	202,33	10115040	100	20	35	3,69	10215040	120	20	45	7,55	10315040	120	25	60	11,97
42	219,27	212,43	10115042	100	20	40	4,73	10215042	130	20	50	9,35					
45	234,42	227,58	10115045	100	20	40	5,09	10215045	130	20	50	10,32	10315045	130	25	60	15,70
48	249,57	242,73	10115048	100	20	40	5,43	10215048	130	20	50	11,40					
50	259,66	252,82	10115050	100	20	40	5,70	10215050	130	20	50	12,11	10315050	130	25	60	18,83
57	295,02	288,18	10115057	100	20	40	6,66	10215057	130	20	50	15,74	10315057	130	25	60	23,40
60	310,17	303,33	10115060	100	20	40	7,15	10215060	130	20	50	16,40	10315060	130	25	60	25,80
76	390,99	384,15	10115076	100	20	50	10,28	10215076	130	20	63	24,93	10315076	130	25	67	40,25

MATERIAL **C 45 UNI 7845**  
FOR MONOLITHIC CHAIN SPROCKETS

MATERIAL **FE**  
FOR CHAIN SPROCKETS WITH WELDED HUB

CAD drawings available on our site  
[www.chiaravalli.com](http://www.chiaravalli.com)

Quantity, availability and prices  
on B2B Chiaravalli





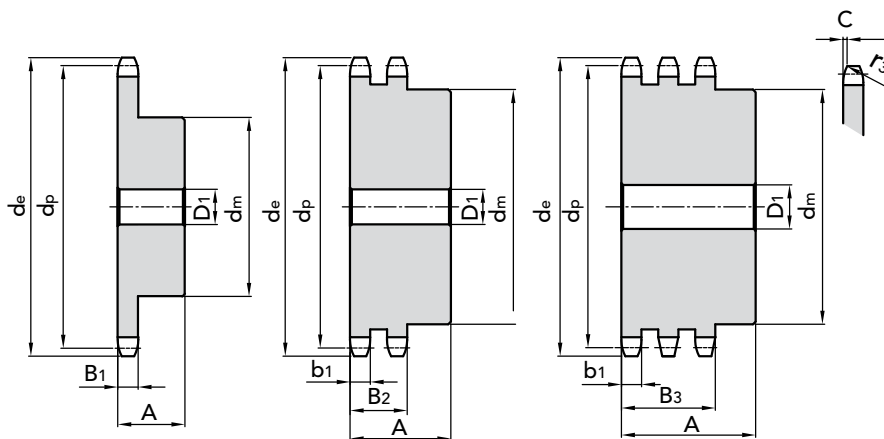
## 3/4" x 7/16"

### CHAIN SPROCKETS

Tooth radius $r_3$	19	mm
Radius width $\check{C}$	2	mm
Sprockets tooth width $B_1$	11,1	mm
Sprockets tooth width $b_1$	10,8	mm
Sprockets tooth width $B_2$	30,3	mm
Sprockets tooth width $B_3$	49,8	mm

### CHAIN

Pitch	19,05	mm
Inner width	11,68	mm
Roller $\varnothing$	12,07	mm



### SIMPLES

### DOUBLE

### TRIPLE

Z	d <sub>e</sub>	d <sub>p</sub>	PART NUMBER	d <sub>m</sub>	D <sub>1</sub>	A	kg.	PART NUMBER	d <sub>m</sub>	D <sub>1</sub>	A	kg.	PART NUMBER	d <sub>m</sub>	D <sub>1</sub>	A	kg.
8	57,31	49,78	10119008	31	12	30	0,21	10219008	31	12	45	0,31	10319008	31	16	65	0,45
9	63,23	55,70	10119009	37	12	30	0,29	10219009	37	12	45	0,44	10319009	37	16	65	0,64
10	69,18	61,65	10119010	42	12	30	0,38	10219010	42	12	45	0,59	10319010	42	16	65	0,86
11	75,15	67,62	10119011	46	14	35	0,51	10219011	47	16	50	0,81	10319011	47	20	70	1,09
12	81,13	73,60	10119012	52	14	35	0,65	10219012	53	16	50	1,02	10319012	53	20	70	1,39
13	87,13	79,60	10119013	58	14	35	0,80	10219013	59	16	50	1,25	10319013	59	20	70	1,72
14	93,14	85,61	10119014	64	14	35	0,97	10219014	65	16	50	1,46	10319014	65	20	70	2,08
15	99,16	91,63	10119015	70	14	35	1,16	10219015	71	16	50	1,74	10319015	71	20	70	2,47
16	105,18	97,65	10119016	75	16	35	1,34	10219016	77	20	50	2,03	10319016	77	20	70	2,89
17	111,20	103,67	10119017	80	16	35	1,53	10219017	83	20	50	2,36	10319017	83	20	70	3,34
18	117,23	109,70	10119018	80	16	35	1,62	10219018	89	20	50	2,70	10319018	89	20	70	3,83
19	123,27	115,74	10119019	80	16	35	1,70	10219019	95	20	50	3,07	10319019	95	20	70	4,35
20	129,31	121,78	10119020	80	16	35	1,80	10219020	100	20	50	3,43	10319020	100	20	70	4,87
21	135,35	127,82	10119021	90	20	40	2,35	10219021	100	20	50	3,69	10319021	100	20	70	5,20
22	141,39	133,86	10119022	90	20	40	2,46	10219022	100	20	50	3,97	10319022	100	20	70	5,65
23	147,43	139,90	10119023	90	20	40	2,56	10219023	110	20	50	4,51	10319023	110	20	70	6,38
24	153,48	145,95	10119024	90	20	40	2,68	10219024	110	20	50	4,81	10319024	110	20	70	6,87
25	159,52	151,99	10119025	90	20	40	2,80	10219025	120	20	50	5,41	10319025	120	20	70	7,77
26	165,57	158,04	10119026	95	20	40	3,08	10219026	120	20	50	5,73	10319026	120	20	70	8,21
27	171,62	164,09	10119027	95	20	40	3,21	10219027	120	20	50	6,08	10319027	120	20	70	8,77
28	177,67	170,14	10119028	95	20	40	3,34	10219028	120	20	50	6,43	10319028	120	20	70	9,35
29	183,72	176,19	10119029	95	20	40	3,48	10219029	120	20	50	6,80	10319029	120	20	70	9,96
30	189,78	182,25	10119030	95	20	40	3,63	10219030	120	20	50	7,19	10319030	120	20	70	10,59
31	195,83	188,30	10119031	100	20	40	3,78	10219031	130	20	50	7,59	10319031	130	25	70	11,55
32	201,88	194,35	10119032	100	20	40	3,93	10219032	130	20	50	8,00	10319032	130	25	70	12,22
33	207,94	200,41	10119033	100	20	40	4,09	10219033	130	20	50	8,42	10319033	130	25	70	12,92
34	213,99	206,46	10119034	100	20	40	4,25	10219034	130	20	50	8,86	10319034	130	25	70	13,64
35	220,05	212,52	10119035	100	20	40	4,42	10219035	130	20	50	9,31	10319035	130	25	70	14,38
36	226,10	218,57	10119036	100	20	40	4,71	10219036	130	25	50	9,71	10319036	130	25	70	15,14
37	232,16	224,63	10119037	100	20	40	4,89	10219037	130	25	50	10,19	10319037	130	25	70	15,93
38	238,22	230,69	10119038	100	20	40	5,07	10219038	130	25	50	10,78	10319038	130	25	70	16,73
39	244,27	236,74	10119039	100	20	40	5,26	10219039	130	25	50	11,19	10319039	130	25	70	17,57
40	250,33	242,80	10119040	100	20	40	5,46	10219040	130	25	50	11,71	10319040	130	25	70	18,42
42	262,45	254,92	10119042	110	25	56	8,14	10219042	140	25	63	14,51					
45	280,62	273,09	10119045	110	25	56	8,85	10219045	140	25	63	16,35	10319045	140	25	70	23,55
48	298,80	291,27	10119048	110	25	56	9,67	10219048	140	25	63	18,18					
50	310,92	303,39	10119050	110	25	56	10,15	10219050	140	25	63	19,44	10319050	140	25	70	28,73
57	353,34	345,81	10119057	110	25	56	11,85	10219057	140	25	63	24,43	10319057	140	25	70	37,16
60	371,52	363,99	10119060	110	25	56	12,71	10219060	140	25	63	26,77	10319060	140	30	70	41,01
76	468,51	460,98	10119076	110	30	56	18,02	10219076	140	30	63	41,88	10319076	140	30	70	65,41

MATERIAL **C 45 UNI 7845**  
FOR MONOLITHIC CHAIN SPROCKETS

MATERIAL **FE**  
FOR CHAIN SPROCKETS WITH WELDED HUB

CAD drawings available on our site  
[www.chiaravalli.com](http://www.chiaravalli.com)

Quantity, availability and prices  
on B2B Chiaravalli



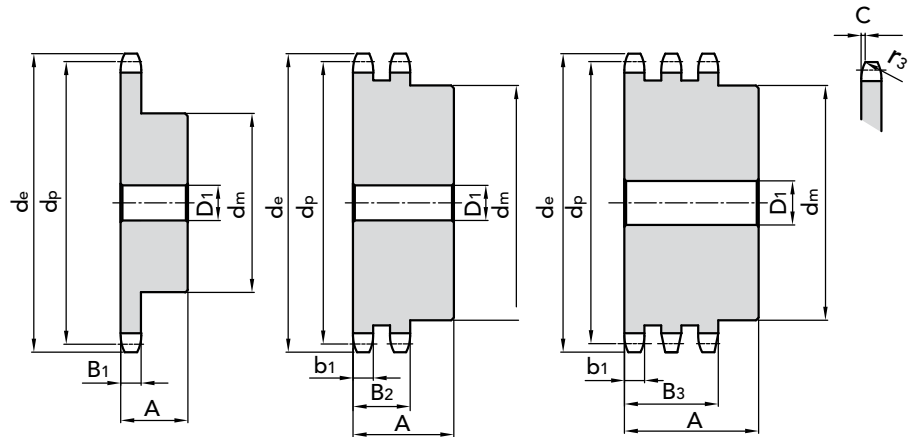



**1" x 17.02 mm**
**CHAIN SPROCKETS**

Tooth radius $r_3$	26	mm
Radius width $\check{C}$	2,5	mm
Sprockets tooth width $B_1$	16,2	mm
Sprockets tooth width $b_1$	15,8	mm
Sprockets tooth width $B_2$	47,7	mm
Sprockets tooth width $B_3$	79,6	mm

**CHAIN**

Pitch	25,4	mm
Inner width	17,02	mm
Roller $\varnothing$	15,88	mm



Z	$d_e$	$d_p$	SIMPLES				DOUBLE				TRIPLE						
			PART NUMBER	$d_m$	$D_1$	A	kg.	PART NUMBER	$d_m$	$D_1$	A	kg.	PART NUMBER	$d_m$	$D_1$	A	kg.
8	77,49	66,37	10125008	42	16	35	0,47	10225008	42	16	65	0,81	10325008	42	20	95	1,19
9	85,38	74,26	10125009	50	16	35	0,66	10225009	50	16	65	1,15	10325009	50	20	95	1,68
10	93,32	82,20	10125010	55	16	35	0,83	10225010	56	16	65	1,52	10325010	56	20	95	2,24
11	101,28	90,16	10125011	61	16	40	1,14	10225011	64	20	70	2,08	10325011	64	25	100	2,86
12	109,26	98,14	10125012	69	16	40	1,43	10225012	72	20	70	2,60	10325012	72	25	100	3,62
13	117,26	106,14	10125013	78	16	40	1,77	10225013	80	20	70	3,18	10325013	80	25	100	4,45
14	125,27	114,15	10125014	84	16	40	2,08	10225014	88	20	70	3,82	10325014	88	25	100	5,37
15	133,29	122,17	10125015	92	20	40	2,46	10225015	96	20	70	4,51	10325015	96	25	100	6,37
16	141,32	130,20	10125016	100	20	45	3,14	10225016	104	20	70	5,17	10325016	104	30	100	7,45
17	149,35	138,23	10125017	100	20	45	3,33	10225017	112	20	70	5,98	10325017	112	30	100	8,60
18	157,39	146,27	10125018	100	20	45	3,56	10225018	120	20	70	6,84	10325018	120	30	100	9,84
19	165,44	154,32	10125019	100	20	45	3,78	10225019	128	20	70	7,76	10325019	128	30	100	11,16
20	173,49	162,37	10125020	100	20	45	4,03	10225020	130	20	70	8,52	10325020	130	30	100	12,36
21	181,54	170,42	10125021	110	20	50	5,01	10225021	130	25	70	9,24	10325021	130	30	100	13,56
22	189,60	178,48	10125022	110	20	50	5,28	10225022	130	25	70	10,00	10325022	130	30	100	14,82
23	197,66	186,54	10125023	110	20	50	5,56	10225023	130	25	70	10,8	10325023	130	30	100	16,15
24	205,72	194,60	10125024	110	20	50	5,86	10225024	130	25	70	11,64	10325024	130	30	100	17,53
25	213,78	202,66	10125025	110	20	50	6,16	10225025	130	25	70	12,52	10325025	130	30	100	18,99
26	221,84	210,72	10125026	120	20	50	6,96	10225026	130	25	70	13,43	10325026	130	30	100	20,34
27	229,91	218,79	10125027	120	20	50	7,30	10225027	130	25	70	14,38	10325027	130	30	100	21,92
28	237,98	226,86	10125028	120	20	50	7,64	10225028	130	25	70	15,38	10325028	130	30	100	23,57
29	246,05	234,93	10125029	120	20	50	8,00	10225029	130	25	70	16,41	10325029	130	30	100	25,27
30	254,12	243,00	10125030	120	20	50	8,38	10225030	130	25	70	17,48	10325030	130	30	100	27,05
31	262,19	251,07	10125031	120	25	50	8,69	10225031	140	25	70	18,96	10325031	140	30	100	29,23
32	270,26	259,14	10125032	120	25	50	9,09	10225032	140	25	70	20,10	10325032	140	30	100	31,13
33	278,33	267,21	10125033	120	25	50	9,50	10225033	140	25	70	21,29	10325033	140	30	100	33,10
34	286,40	275,28	10125034	120	25	50	9,93	10225034	140	25	70	22,21	10325034	140	30	100	35,13
35	294,48	283,36	10125035	120	25	50	10,36	10225035	140	25	70	23,77	10325035	140	30	100	37,23
36	302,55	291,43	10125036	120	25	50	10,81	10225036	140	25	70	25,07	10325036	140	30	100	39,39
37	310,63	299,51	10125037	120	25	50	11,28	10225037	140	25	70	26,41	10325038	140	30	100	43,90
38	318,70	307,58	10125038	120	25	50	11,76	10225038	140	25	70	27,79					
39	326,78	315,66	10125039	120	25	50	12,25	10225039	140	25	70	29,20					
40	334,86	323,74	10125040	120	25	50	12,75	10225040	140	25	70	30,65	10325040	140	30	100	48,67
42	351,01	339,89	10125042	125	25	70	16,54	10225042	150	25	80	33,63					
45	375,24	364,12	10125045	125	25	70	18,15	10225045	150	25	80	38,44	10325045	160	30	100	63,94
48	399,48	388,36	10125048	125	25	70	19,86	10225048	150	30	80	43,61					
50	415,64	404,52	10125050	125	25	70	20,89	10225050	150	30	80	47,25	10325050	160	30	100	78,58
57	472,20	461,08	10125057	125	30	70	25,52	10225057	160	30	90	63,45	10325057	180	40	110	103,03
60	496,45	485,33	10125060	125	30	70	27,76	10225060	160	30	90	70,00					
76	625,76	614,64	10125076	140	30	80	42,97	10225076	160	30	90	110,79	10325076	180	40	110	181,86

MATERIAL **C 45 UNI 7845**  
FOR MONOLITHIC CHAIN SPROCKETS

MATERIAL **FE**  
FOR CHAIN SPROCKETS WITH WELDED HUB

CAD drawings available on our site  
[www.chiaravalli.com](http://www.chiaravalli.com)

Quantity, availability and prices  
on B2B Chiaravalli





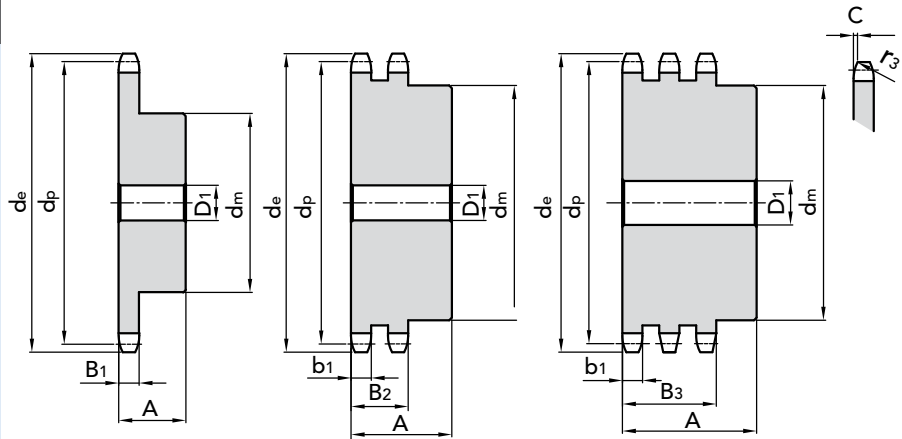
## 1" 1/4 x 3/4"

### CHAIN SPROCKETS

Tooth radius $r_3$	32	mm
Radius width $\bar{C}$	3,5	mm
Sprockets tooth width $B_1$	18,5	mm
Sprockets tooth width $b_1$	18,2	mm
Sprockets tooth width $B_2$	54,6	mm
Sprockets tooth width $B_3$	91	mm

### CHAIN

Pitch	31,75	mm
Inner width	19,56	mm
Roller $\varnothing$	19,05	mm



### SIMPLES

### DOUBLE

### TRIPLE

Z	d <sub>e</sub>	d <sub>p</sub>	PART NUMBER	d <sub>m</sub>	D <sub>1</sub>	A	kg.	PART NUMBER	d <sub>m</sub>	D <sub>1</sub>	A	kg.	PART NUMBER	d <sub>m</sub>	D <sub>1</sub>	A	kg.
8	98,10	82,96	10131008	53	20	40	0,85	10231008	53	20	75	1,58	10331008	53	20	110	2,15
9	108,00	92,84	10131009	63	20	40	1,19	10231009	63	20	75	2,19	10331009	63	20	110	3,05
10	117,90	102,74	10131010	70	20	40	1,51	10231010	70	20	75	2,85	10331010	70	20	110	4,04
11	127,80	112,68	10131011	77	20	45	2,05	10231011	80	20	80	3,72	10331011	80	20	115	5,19
12	137,80	122,68	10131012	88	20	45	2,60	10231012	90	20	80	4,66	10331012	90	20	115	6,55
13	147,80	132,65	10131013	98	20	45	3,15	10231013	100	20	80	5,70	10331013	100	20	115	8,06
14	157,80	142,68	10131014	108	20	45	3,80	10231014	110	20	80	6,84	10331014	110	20	115	9,71
15	167,90	152,72	10131015	118	20	45	4,47	10231015	120	20	80	8,08	10331015	120	20	115	11,50
16	177,90	162,75	10131016	120	25	50	5,25	10231016	120	25	80	8,90	10331016	120	25	115	13,06
17	187,90	172,78	10131017	120	25	50	5,60	10231017	120	25	80	9,92	10331017	120	25	115	14,65
18	198,00	182,85	10131018	120	25	50	6,00	10231018	120	25	80	11,00	10331018	120	25	115	16,54
19	208,10	192,91	10131019	120	25	50	6,40	10231019	120	25	80	12,16	10331019	120	25	115	18,45
20	218,10	202,98	10131020	120	25	50	6,85	10231020	120	25	80	13,38	10331020	120	25	115	20,48
21	228,20	213,04	10131021	140	25	55	8,75	10231021	140	25	80	15,49	10331021	140	25	115	23,38
22	238,30	223,11	10131022	140	25	55	9,30	10231022	140	25	80	16,86	10331022	140	25	115	25,64
23	248,30	233,17	10131023	140	25	55	9,77	10231023	140	25	80	18,29	10331023	140	25	115	28,00
24	258,40	243,23	10131024	140	25	55	10,30	10231024	140	25	80	19,79	10331024	140	25	115	30,49
25	268,50	253,33	10131025	140	25	55	10,80	10231025	140	25	80	21,36	10331025	140	25	115	33,09
26	278,60	263,40	10131026	150	25	55	12,09	10231026	150	25	80	23,45	10331026	150	25	115	36,23
27	288,60	273,40	10131027	150	25	55	12,65	10231027	150	25	80	25,15	10331027	150	25	115	39,06
28	298,70	283,56	10131028	150	25	55	13,29	10231028	150	25	80	26,93	10331028	150	25	115	42,00
29	308,80	293,65	10131029	150	25	55	13,93	10231029	150	25	80	28,77	10331029	150	25	115	45,00
30	318,90	303,75	10131030	150	25	55	14,60	10231030	150	25	80	30,69	10331030	150	25	115	48,23
31	329,00	313,85	10131031	160	25	55	15,28	10231031	150	25	80	32,67	10331031	150	25	115	51,50
32	339,10	323,91	10131032	160	25	55	16,00	10231032	150	25	80	32,72	10331032	150	30	115	54,61
33	349,20	334,01	10131033	160	25	55	16,70	10231033	150	25	80	35,00	10331033	150	30	115	58,37
34	359,30	344,10	10131034	160	25	55	17,49	10231034	150	25	80	39,03	10331034	150	30	115	62,06
35	369,40	354,20	10131035	160	25	55	18,30	10231035	150	25	80	41,28	10331035	150	30	115	65,80
36	379,50	364,30	10131036	160	25	55	19,10	10231036	150	30	80	43,61	10331036	150	30	115	69,66
37	389,50	374,39	10131037	160	25	55	19,90						10331037	150	30	115	73,00
38	399,60	384,49	10131038	160	25	55	20,75	10231038	150	30	80	48,46	10331038	150	30	115	77,72
39	409,70	394,59	10131039	160	25	55	21,70	10231039	150	30	80	51,00					
40	419,80	404,68	10131040	160	25	55	22,53	10231040	150	30	80	53,60	10331040	150	30	115	86,24
42	440,00	424,88	10131042	160	30	70	28,84										
45	470,30	455,17	10131045	160	30	70	31,79	10231045	160	30	90	71,32	10331045	180	40	115	110,41
48	500,60	485,46	10131048	160	30	70	32,80										
50	520,80	505,65	10131050	160	30	70	35,00	10231050	160	30	90	87,08	10331050	180	40	115	136,59
57	591,50	576,36	10131057	160	30	80	37,21	10231057	160	30	100	116,28	10331057	180	40	125	181,21
60	621,80	606,65	10131060	160	30	80	45,79										
76	783,50	768,32	10131076	160	30	90	75,81	10231076	180	30	100	200,96	10331076	200	40	140	322,03

MATERIAL **C 45 UNI 7845**  
FOR MONOLITHIC CHAIN SPROCKETS

MATERIAL **FE**  
FOR CHAIN SPROCKETS WITH WELDED HUB

CAD drawings available on our site  
[www.chiaravalli.com](http://www.chiaravalli.com)

Quantity, availability and prices  
on B2B Chiaravalli

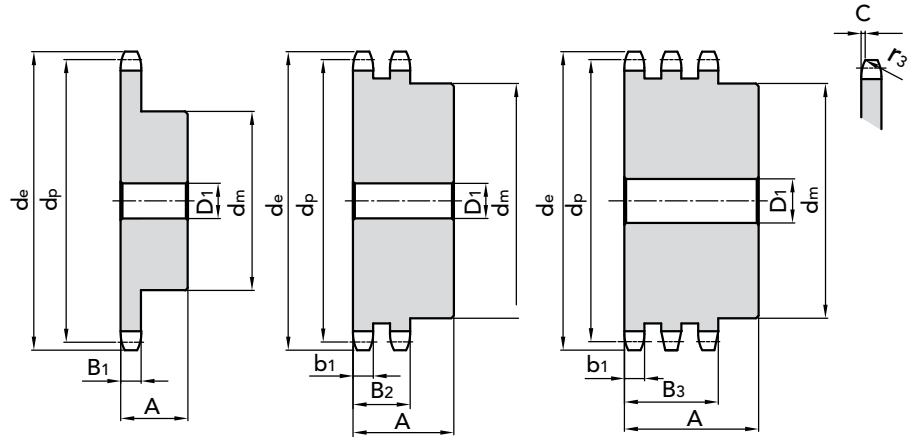



**1" 1/2 x 1"**
**CHAIN SPROCKETS**

Tooth radius $r_s$	38	mm
Radius width $\check{C}$	4	mm
Sprockets tooth width $B_1$	24,1	mm
Sprockets tooth width $b_1$	23,6	mm
Sprockets tooth width $B_2$	72	mm
Sprockets tooth width $B_3$	120,3	mm

**CHAIN**

Pitch	38,1	mm
Inner width	25,4	mm
Roller $\varnothing$	25,4	mm



Z	de	dp	SIMPLES				DOUBLE				TRIPLE						
			PART NUMBER	dm	D1	A	kg.	PART NUMBER	dm	D1	A	kg.	PART NUMBER	dm	D1	A	kg.
8	115,00	99,55	10138008	58	20	45	1,38	10238008	58	25	95	2,70	10338008	58	25	140	4,00
9	126,40	111,40	10138009	70	20	45	1,90	10238009	70	25	95	3,79	10338009	70	25	140	5,62
10	138,00	123,29	10138010	80	20	45	2,47	10238010	80	25	95	5,01	10338010	80	25	140	7,45
11	150,00	135,21	10138011	90	25	50	3,27	10238011	90	25	100	6,62	10338011	90	25	150	9,73
12	162,00	147,22	10138012	102	25	50	4,09	10238012	102	25	100	8,28	10338012	102	25	150	12,24
13	174,20	159,18	10138013	114	25	50	5,00	10238013	114	25	100	10,13	10338013	114	25	150	15,02
14	186,20	171,22	10138014	128	25	50	6,09	10238014	128	25	100	12,24	10338014	128	25	150	18,16
15	198,20	183,26	10138015	140	25	50	6,84	10238015	140	25	100	14,08	10338015	140	25	150	21,09
16	201,30	195,30	10138016	140	25	55	8,20	10238016	140	25	100	15,88	10338016	140	25	150	24,25
17	222,30	207,34	10138017	140	25	55	8,87	10238017	150	25	100	17,80	10338017	150	25	150	27,42
18	234,30	219,42	10138018	140	25	55	9,59	10238018	160	25	100	21,08	10338018	160	25	150	32,12
19	246,50	231,49	10138019	140	25	55	10,36	10238019	160	25	100	23,26	10338019	160	25	150	35,74
20	258,60	243,57	10138020	140	25	55	11,16	10238020	160	25	100	25,57	10338020	160	25	150	39,57
21	270,60	255,65	10138021	150	25	60	13,35	10238021	160	25	100	28,01	10338021	160	30	150	42,98
22	282,70	267,73	10138022	150	25	60	14,24	10238022	160	25	100	30,59	10338022	160	30	150	47,25
23	294,80	279,80	10138023	150	25	60	15,18	10238023	160	25	100	33,29	10338023	160	30	150	51,74
24	306,80	291,88	10138024	150	25	60	16,16	10238024	160	25	100	33,13	10338024	160	30	150	56,44
25	319,00	304,00	10138025	150	25	60	17,19	10238025	160	25	100	39,09	10338025	160	30	150	61,37
26	331,00	316,08	10138026	160	30	60	18,25	10238026	160	30	100	42,19	10338026	160	30	150	66,52
27	343,20	328,19	10138027	160	30	60	19,37	10238027	160	30	100	45,41	10338027	160	30	150	71,88
28	355,20	340,27	10138028	160	30	60	20,52	10238028	160	30	100	48,77	10338028	160	30	150	77,46
29	367,30	352,38	10138029	160	30	60	21,72	10238029	160	30	100	52,26					
30	379,50	364,50	10138030	160	30	60	22,97	10238030	160	30	100	55,88	10338030	160	40	150	89,28
31	391,60	376,62	10138031	160	30	60	21,25	10238031	170	30	100	59,19	10338031	170	40	150	101,97
32	403,70	388,69	10138032	160	30	60	25,59	10238032	170	30	100	63,07	10338032	170	40	150	122,64
33	415,80	400,81	10138033	160	30	60	26,96	10238033	170	30	100	67,08	10338033	170	40	150	145,28
34	427,80	412,93	10138034	160	30	60	28,38	10238034	170	30	100	71,21	10338034	170	40	150	161,46
35	440,00	425,04	10138035	160	30	60	29,84	10238035	170	30	100	75,49	10338035	200	40	150	209,06
36	452,00	437,16	10138036	160	30	60	31,34	10238036	170	30	100	79,89	10338036	200	40	150	258,81
37	464,20	449,27	10138037	160	30	60	32,90	10238037	170	30	100	84,43	10338037	220	40	150	337,62
38	476,20	461,39	10138038	160	30	60	34,49	10238038	170	30	100	89,09	10338038	250	40	150	607,76
39																	
40	500,60	485,62	10138040	160	30	60	37,51	10238040	170	30	100	98,98					
42	524,70	509,85	10138042	160	30	90	48,52										
45	561,20	546,20	10138045	160	30	90	54,08	10238045	180	40	100	132,81					
48	597,40	582,55	10138048	160	30	90	60,04										
50	621,70	606,78	10138050	160	30	90	64,24	10238050	180	40	100	162,65					
57	706,50	691,63	10138057	160	30	100	80,28	10238057	200	40	110	209,91					
60	742,80	727,97	10138060	160	40	100	87,82										
76	936,90	921,98	10138076	170	40	100	140,54	10238076	220	40	120	373,88					

MATERIAL **C 45 UNI 7845**  
FOR MONOLITHIC CHAIN SPROCKETS

MATERIAL **FE WITH HUB**

CAD drawings available on our site  
[www.chiaravalli.com](http://www.chiaravalli.com)

Quantity, availability and prices  
on B2B Chiaravalli





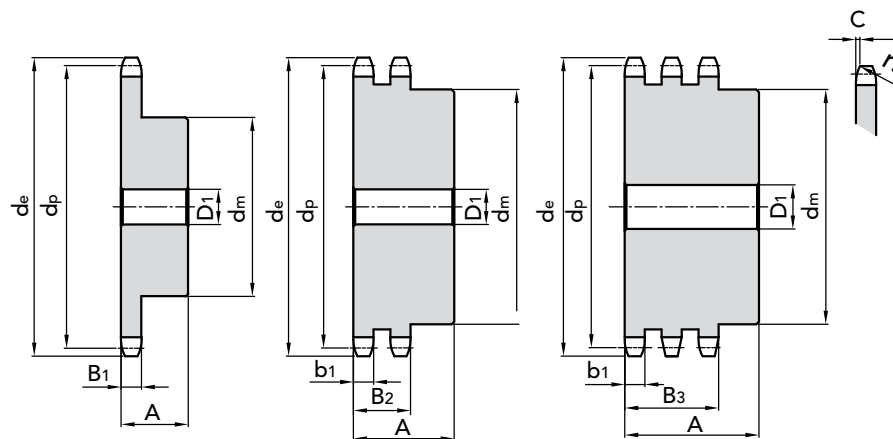
## 1" 3/4 x 1" 1/4

### CHAIN SPROCKETS

Tooth radius $r_3$	44	mm
Radius width $\bar{C}$	5	mm
Sprockets tooth width $B_1$	29,4	mm
Sprockets tooth width $b_1$	28,8	mm
Sprockets tooth width $B_2$	88,4	mm
Sprockets tooth width $B_3$	148	mm

### CHAIN

Pitch	44,45	mm
Inner width	30,99	mm
Roller $\varnothing$	27,94	mm



#### SIMPLES

#### DOUBLE

#### TRIPLE

Z	d <sub>e</sub>	d <sub>p</sub>	PART NUMBER	d <sub>m</sub>	D <sub>1</sub>	A	kg.	PART NUMBER	d <sub>m</sub>	D <sub>1</sub>	A	kg.	PART NUMBER	d <sub>m</sub>	D <sub>1</sub>	A	kg.
8	132,00	116,15	10144008	74	25	70	2,86	10244008	74	25	120	4,75	10344008	74	30	180	7,04
9	148,40	129,96	10144009	88	25	70	4,00	10244009	88	25	120	6,66	10344009	88	30	180	9,89
10	162,30	143,85	10144010	100	25	70	5,18	10244010	100	25	120	8,79	10344010	100	30	180	13,10
11	176,30	157,77	10144011	112	25	70	6,51	10244011	112	25	120	11,79	10344011	112	30	180	16,73
12	189,50	171,74	10144012	125	25	70	8,04	10244012	125	25	120	13,91	10344012	125	30	180	20,84
13	204,20	185,75	10144013	130	25	70	8,88	10244013	130	25	120	16,25	10344013	130	30	180	24,70
14	218,20	199,76	10144014	140	25	70	9,79	10244014	140	25	120	18,81	10344014	140	30	180	28,93
15	232,30	213,79	10144015	145	25	70	10,77	10244015	145	25	120	22,64	10344015	145	30	180	34,58
16	246,30	227,84	10144016	160	30	75	14,96	10244016	160	25	120	26,52	10344016	160	30	180	40,44
17	260,00	241,91	10144017	160	30	75	16,09	10244017	160	30	120	29,74	10344017	160	30	180	45,77
18	274,00	255,98	10144018	160	30	75	17,28	10244018	160	30	120	33,17	10344018	160	30	180	51,76
19	289,00	270,06	10144019	160	30	75	18,56	10244019	180	30	120	38,14	10344019	180	30	180	58,07
20	303,00	284,15	10144020	160	30	75	19,90	10244020	180	30	120	42,02	10344020	180	30	180	64,49
21	317,00	298,24	10144021	170	30	75	21,31	10244021	180	30	120	49,10	10344021	180	30	180	71,28
22	331,00	312,34	10144022	170	30	75	22,80	10244022	180	30	120	50,40					
23	345,00	326,44	10144023	170	30	75	24,36	10244023	180	30	120	54,92	10344023	180	30	180	85,94
24	359,00	340,55	10144024	170	30	75	26,00	10244024	180	30	120	59,50					
25	373,00	354,66	10144025	170	30	75	27,70	10244025	180	30	120	64,62	10344025	180	40	180	112,07
26	387,00	368,77	10144026	170	30	75	29,48	10244026	180	30	120	69,28					
27	401,40	382,88	10144027	170	30	75	31,36										
28	416,00	397,00	10144028	170	30	75	33,26	10244028	180	30	120	80,28					
29																	
30	444,00	425,24	10144030	170	30	75	37,33	10244030	180	30	120	92,17	10344030	180	40	180	148,79
31																	
32	472,00	453,49	10144032	180	30	75	43,59										
33																	
34	500,00	481,75	10144034	180	30	75	48,24										
35	514,00	495,88	10144035	180	30	75	50,57	10244035	200	30	120	127,17					
36	529,00	510,01	10144036	180	30	75	53,18										
37																	
38	557,00	538,27	10144038	180	30	75	58,40	10244038	200	30	120	149,9	10344038	200	40	180	244,01
39																	
40	585,00	566,54	10144040	180	30	75	63,92	10244040	200	30	120	167,15	10344040	200	40	180	271,10
45	656,00	637,22	10144045	180	30	90	79,12	10244045	200	30	120	218,10	10344045	200	40	180	352,63
50	726,00	707,91	10144050	180	30	90	96,00	10244050	200	30	120	267,99	10344057	220	40	180	567,76
57	825,00	806,90	10144057	180	40	90	125,13	10244057	200	40	120	346,99	10344076	250	40	190	1024,97
60	869,00	849,32	10144060	180	40	90	144,00										
76	1.095,0	1.075,62	10144076	200	40	100	215,46	10244076	250	40	130	615,35					

MATERIAL **C 45 UNI 7845**  
FOR MONOLITHIC CHAIN SPROCKETS

MATERIAL **FE**  
FOR CHAIN SPROCKETS WITH WELDED HUB

CAD drawings available on our site  
[www.chiaravalli.com](http://www.chiaravalli.com)

Quantity, availability and prices  
on B2B Chiaravalli



CHAIN SPROCKETS 1" 3/4 x 1" 1/4 for roller chains in compliance with DIN 8187 - ISO/R 606





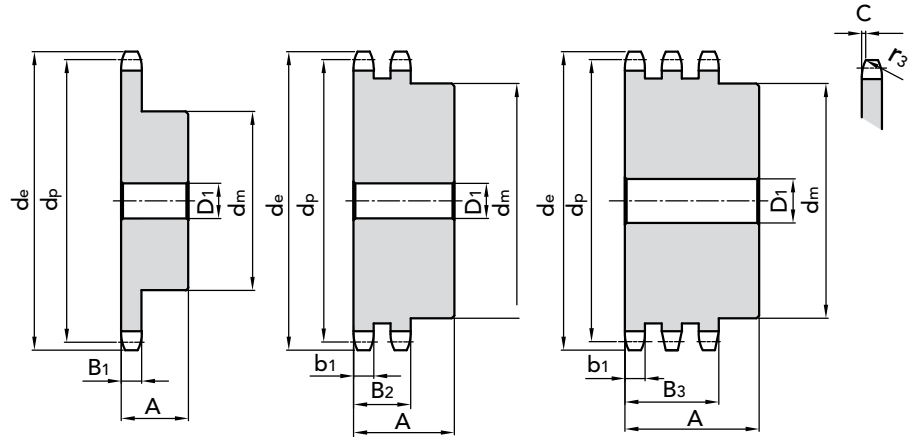
## 2" x 1" 1/4

## CHAIN SPROCKETS

Tooth radius $r_s$	51	mm
Radius width $\bar{C}$	5	mm
Sprockets tooth width $B_1$	29,4	mm
Sprockets tooth width $b_1$	28,8	mm
Sprockets tooth width $B_2$	87,4	mm
Sprockets tooth width $B_3$	146	mm

## CHAIN

Pitch	50,8	mm
Inner width	30,99	mm
Roller $\varnothing$	29,21	mm



CHAIN SPROCKETS 2" x 1" 1/4 for roller chains in compliance with DIN 8187 - ISO/R 606

Z	$d_e$	$d_p$	SIMPLES					DOUBLE				TRIPLE					
			PART NUMBER	$d_m$	$D_1$	A	kg.	PART NUMBER	$d_m$	$D_1$	A	kg.	PART NUMBER	$d_m$	$D_1$	A	kg.
8	153,20	132,69	10150008	82	25	80	4,20	10250008	82	30	120	6,65	10350008	82	30	180	9,90
9	169,00	148,54	10150009	88	25	80	5,78	10250009	88	30	120	9,14	10350009	88	30	180	13,65
10	185,00	164,44	10150010	104	25	80	7,60	10250010	104	30	120	12,01	10350010	104	30	180	17,97
11	200,80	180,34	10150011	120	30	80	9,26	10250011	120	30	120	14,75	10350011	120	30	180	22,22
12	216,80	196,29	10150012	133	30	80	10,91	10250012	133	30	120	17,95	10350012	133	30	180	27,23
13	232,80	212,29	10150013	145	30	80	13,05	10250013	145	30	120	21,68	10350013	145	30	180	32,98
14	248,80	228,29	10150014	160	30	80	14,25	10250014	160	30	120	25,03	10350014	160	30	180	38,50
15	264,80	244,30	10150015	160	30	80	15,53	10250015	160	30	120	29,30	10350015	160	30	180	45,04
16	280,90	260,40	10150016	160	30	90	19,87	10250016	160	30	120	33,21	10350016	160	30	180	51,50
17	296,90	276,40	10150017	170	30	90	21,35	10250017	180	30	120	38,76	10350017	180	30	180	61,45
18	313,00	292,55	10150018	170	30	90	22,92	10250018	180	30	120	43,24	10350018	180	30	180	68,85
19	329,10	308,66	10150019	170	30	90	24,53	10250019	200	30	120	49,52	10350019	200	30	180	76,73
20	345,20	324,71	10150020	180	30	90	28,50	10250020	200	30	120	54,56	10350020	200	30	180	85,07
21	361,30	340,82	10150021	180	30	90	30,36	10250021	200	30	120	59,87	10350021	200	40	180	93,89
22	377,50	356,98	10150022	180	30	90	32,31	10250022	200	30	120	65,47					
23	393,60	373,08	10150023	180	30	90	34,36	10250023	200	30	120	71,35	10350023	200	40	180	112,93
24	409,70	389,18	10150024	180	30	90	36,50	10250024	200	30	120	77,52					
25	425,80	405,33	10150025	180	30	90	38,74	10250025	200	30	120	83,66	10350025	200	40	180	133,86
26	441,90	421,44	10150026	180	30	90	41,07	10250026	200	30	120	90,69					
27	458,10	437,69	10150027	180	30	90	46,01	10250027	200	30	120	98,50					
28	474,20	453,69	10150028	180	30	90	46,01	10250028	200	30	120	104,99					
29																	
30	506,50	486,00	10150030	180	30	90	51,34	10250030	200	30	120	120,41	10350030	200	40	180	194,42
32	538,80	518,28	10150032	180	30	90	59,89										
35	589,50	566,72	10150035	180	30	90	69,16	10250035	200	30	120	163,85					
38	635,50	615,14	10150038	180	30	90	79,28	10250038	200	40	120	193,33	10350038	200	40	180	316,22
40	670,30	647,49	10150040	180	30	90	86,50	10250040	200	40	120	214,39					
45	751,00	728,26	10150045	180	40	100	118,87	10250045	200	40	120	282,32	10350045	200	40	180	456,64
50	831,80	809,04	10150050	180	40	100	140,96	10250050	200	40	120	346,95	10350050	200	40	180	564,27
57	945,00	922,17	10150057	180	40	100	175,86	10250057	220	40	120	449,27	10350057	250	40	180	734,72
60	993,40	970,63	10150060	180	40	100	192,24										
76	1.252,0	1.229,28	10150076	200	40	110	294,00	10250076	250	40	130	796,60	10350076	250	40	190	1319,64

MATERIAL **C 45 UNI 7845**  
FOR MONOLITHIC CHAIN SPROCKETS

MATERIAL **FE**  
FOR CHAIN SPROCKETS WITH WELDED HUB

CAD drawings available on our site  
[www.chiaravalli.com](http://www.chiaravalli.com)

Quantity, availability and prices  
on B2B Chiaravalli







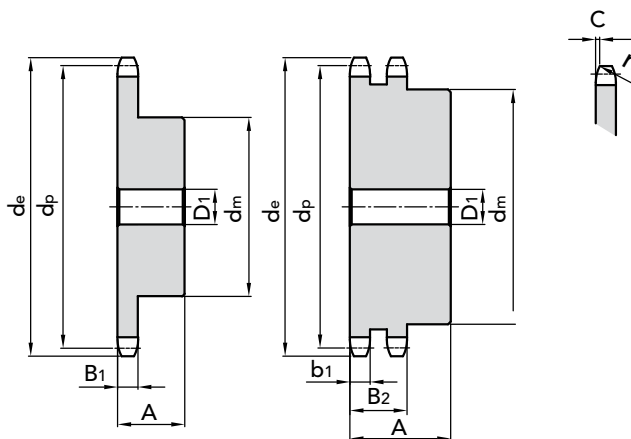
pitch 3/8" x 3/16"

### CHAIN SPROCKETS

Tooth radius $r_3$	10	mm
Radius width $\check{C}$	1,2	mm
Sprockets tooth width $B_1$	4,4	mm
Sprockets tooth width $b_1$	4,3	mm
Sprockets tooth width $B_2$	14,4	mm

### CHAIN

Pitch	9,525	mm
Inner width	4,77	mm
Roller $\varnothing$	5,08	mm



### SIMPLES

### DOUBLE

Z	d <sub>e</sub>	d <sub>p</sub>	PART NUMBER	d <sub>m</sub>	D <sub>1</sub>	A	kg.	PART NUMBER	d <sub>m</sub>	D <sub>1</sub>	A	kg.
8												
9	31,50	27,85	11103009	18	8	20	0,05					
10	35,70	30,82	11103010	20	8	22	0,05	11203010	20	8	22	0,15
11	38,69	33,80	11103011	22	8	25	0,08	11203011	22	10	25	0,15
12	41,68	36,80	11103012	25	8	25	0,10					
13	44,68	39,80	11103013	28	10	25	0,12	11203013	28	10	25	0,16
14	47,68	42,80	11103014	31	10	25	0,15	11203014	31	10	25	0,19
15	50,69	45,81	11103015	34	10	25	0,19	11203015	34	10	25	0,23
16	53,70	48,82	11103016	37	10	28	0,24	11203016	37	12	30	0,27
17	56,72	51,83	11103017	38	10	28	0,28	11203017	40	12	30	0,31
18	59,73	54,85	11103018	38	10	28	0,32	11203018	43	12	30	0,36
19	62,75	57,87	11103019	46	10	28	0,36	11203019	46	12	30	0,42
20	65,77	60,89	11103020	46	10	28	0,38	11203020	49	12	30	0,42
21	68,79	63,91	11103021	46	10	28	0,41	11203021	52	12	30	0,51
22	71,81	66,93	11103022	52	12	28	0,45	11203022	55	12	30	0,57
23	74,83	69,95	11103023	52	12	28	0,49	11203023	58	12	30	0,64
24	77,85	72,97	11103024	52	12	28	0,54	11203024	61	12	30	0,71
25	80,88	76,00	11103025	58	12	28	0,60	11203025	64	12	30	0,78
26	83,90	79,02	11103026	58	12	28	0,66	11203026	67	12	30	0,78
27	86,93	82,04	11103027	58	12	28	0,67	11203027	70	12	30	0,94
28	89,95	85,07	11103028	60	12	28	0,68	11203028	73	12	30	1,02
30	96,00	91,12	11103030	60	12	28	0,71					
31	97,9	94,15	11103031	65	14	30	0,87	11203031	80	16	30	1,02
32	100,9	97,17	11103032	65	14	30	0,86	11203032	80	16	30	1,31
33	103,9	100,20	11103033	65	14	30	1,13					
34	106,9	103,23						11203034	80	16	30	1,42
35	110,0	106,26	11103035	65	14	30	0,94	11203035	80	16	30	1,48
36	114,17	109,29	11103036	70	16	30	1,05					
37	116,0	112,32	11103037	70	16	30	1,09					
38	119,0	115,34	11103038	70	16	30	1,08	11203038	90	16	30	1,48
39	122,1	118,37	11103039	70	16	30	1,10	11203039	90	16	30	1,48
40												

MATERIAL C 45 UNI 7845

CAD drawings available on our site  
[www.chiaravalli.com](http://www.chiaravalli.com)

Quantity, availability and prices  
 on B2B Chiaravalli



CHAIN SPROCKETS ASA 35 pitch 3/8" x 3/16" for roller chains in compliance with DIN 8188 - ISO/R 606 - ANSI B 29.1



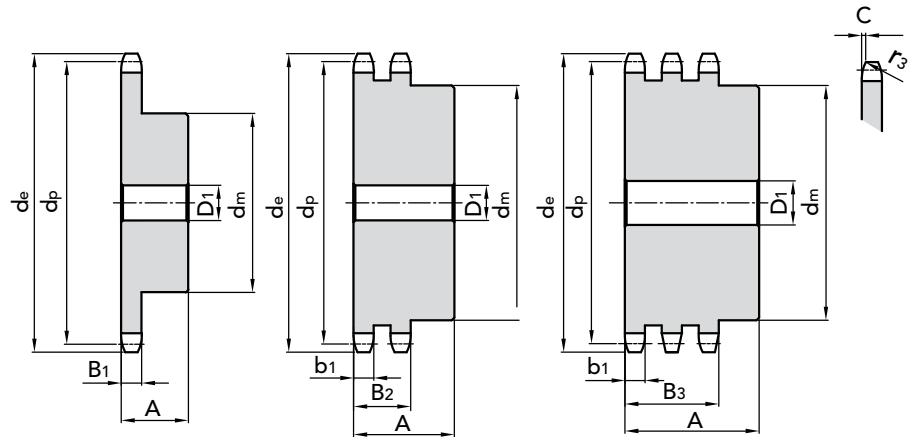
pitch 1/2" x 5/16"

## CHAIN SPROCKETS

Tooth radius $r_3$	13,5 mm
Radius width $\bar{C}$	1,6 mm
Sprockets tooth width $B_1$	7,4 mm
Sprockets tooth width $b_1$	7,2 mm
Sprockets tooth width $B_2$	21,6 mm
Sprockets tooth width $B_3$	36 mm

## CHAIN

Pitch	12,7 mm
Inner width	7,94 mm
Roller $\emptyset$	7,94 mm



## SIMPLES

## DOUBLE

## TRIPLE

Z	$d_e$	$d_p$	PART NUMBER	$d_m$	$D_1$	A	kg.	PART NUMBER	$d_m$	$D_1$	A	kg.	PART NUMBER	$d_m$	$D_1$	A	kg.
8	39,30	33,18	11104008	26	10	25	0,10										
10	47,66	41,10	11104010	29	10	25	0,12	11204010	28	10	32	0,19	11304010	28	14	50	0,24
11	51,64	45,08	11104011	35	10	28	0,14	11204011	32	12	35	0,29					
12	55,63	49,07	11104012	35	10	28	0,20	11204012	35	12	35	0,35	11304012	35	14	50	0,39
13	59,63	53,07	11104013	35	10	28	0,26	11204013	38	12	35	0,43	11304013	38	14	50	0,49
14	63,63	57,07	11104014	46	10	28	0,32	11204014	42	12	35	0,52	11304014	42	14	50	0,60
15	67,64	61,08	11104015	48	10	28	0,38	11204015	46	12	35	0,62	11304015	46	14	50	0,72
16	71,66	65,10	11104016	48	10	28	0,45	11204016	50	14	35	0,73	11304016	50	16	50	0,85
17	75,68	69,12	11104017	48	10	28	0,50	11204017	54	14	35	0,83	11304017	54	16	50	0,99
18	79,70	73,14	11104018	60	12	28	0,58	11204018	58	14	35	0,97	11304018	58	16	50	1,14
19	83,72	77,16	11104019	60	12	28	0,67	11204019	62	14	35	1,12	11304019	62	16	50	1,30
20	87,74	81,18	11104020	65	12	28	0,77	11204020	66	14	35	1,28	11304020	66	16	50	1,47
21	91,77	85,21	11104021	65	12	28	0,84	11204021	70	16	40	1,37	11304021	70	20	55	1,79
22	95,80	89,24	11104022	65	12	28	0,91	11204022	70	16	40	1,46	11304022	70	20	55	1,93
23	99,83	93,27	11104023	70	12	28	0,94	11204023	70	16	40	1,63	11304023	70	20	55	2,08
24	103,86	97,30	11104024	70	14	28	0,97	11204024	75	16	40	1,82	11304024	75	20	55	2,32
25	107,89	101,33	11104025	70	14	28	1,01	11204025	80	16	40	2,01	11304025	80	20	55	2,57
26	111,92	105,36	11104026	70	14	28	1,09	11204026	85	20	40	2,12	11304026	85	20	55	2,79
27	115,96	109,40	11104027	70	16	30	1,13	11204027	85	20	40	2,33	11304027	85	20	55	2,96
28	119,99	113,43	11104028	70	16	30	1,16	11204028	90	20	40	2,79	11304028	90	20	55	3,25
29																	
30	128,06	121,50	11104030	80	16	30	1,46	11204030	100	20	40	3,25					
31								11204031	100	20	40	3,33					
32	136,13	129,57	11104032	80	16	30	1,78										
33								11204033	100	20	40	3,40	11304033	110	20	55	4,74
34								11204034	100	20	40	3,50					
35	148,24	141,68	11104035	90	16	30	1,92	11204035	100	20	40	3,60					
36	152,28	145,72	11104036	90	16	30	2,21										
37								11204037	100	20	40	3,69					
38	160,35	153,79	11104038	90	16	35	2,32	11204038	100	20	40	3,84	11304038	120	25	55	6,14
39								11204039	100	20	40	4,00					
40	168,43	161,87	11104040	90	16	35	2,43						11304040	120	25	55	6,66

MATERIAL C 45 UNI 7845

CAD drawings available on our site  
[www.chiaravalli.com](http://www.chiaravalli.com)

Quantity, availability and prices  
 on B2B Chiaravalli





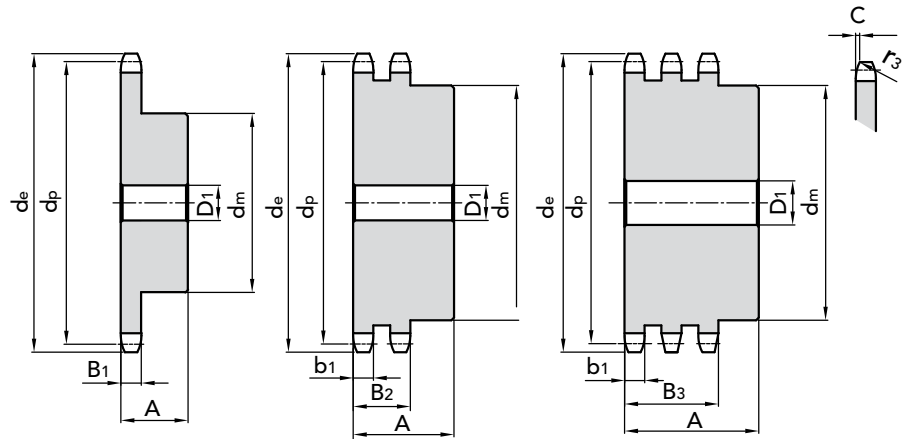
pitch 5/8" x 3/8"

### CHAIN SPROCKETS

Tooth radius $r_3$	17	mm
Radius width $\bar{C}$	2	mm
Sprockets tooth width $B_1$	9	mm
Sprockets tooth width $b_1$	8,8	mm
Sprockets tooth width $B_2$	26,9	mm
Sprockets tooth width $B_3$	45	mm

### CHAIN

Pitch	15,875	mm
Inner width	9,52	mm
Roller $\varnothing$	10,16	mm



Z	$d_e$	$d_p$	SIMPLES				DOUBLE				TRIPLE							
			PART NUMBER	$d_m$	$D_1$	A	kg.	PART NUMBER	$d_m$	$D_1$	A	kg.	PART NUMBER	$d_m$	$D_1$	A	kg.	
8	47,00	41,48	10115008	25	10	25	0,12											
9	52,60	46,42	10115009	30	10	25	0,16											
10	57,50	51,37	10115010	35	10	25	0,22											
11	63,00	56,34	10115011	37	12	30	0,29											
12	68,00	61,34	10115012	42	12	30	0,37					11305012	44	16	55	0,54		
13	73,00	66,32	10115013	47	12	30	0,46	11205013	49	14	40	0,67	11305013	49	16	55	0,67	
14	78,00	71,34	10115014	52	12	30	0,56	11205014	54	14	40	0,82	11305014	54	16	55	0,82	
15	83,00	76,36	10115015	57	12	30	0,67	11205015	59	14	40	0,97	11305015	59	16	55	0,97	
16	88,00	81,37	10115016	60	12	30	0,76	11205016	64	16	45	1,25	11305016	64	16	60	1,25	
17	93,00	86,39	10115017	60	12	30	0,88	11205017	69	16	45	1,45	11305017	69	16	60	1,45	
18	98,00	91,42	10115018	70	14	30	1,01	11205018	74	16	45	1,56	11305018	74	16	60	1,56	
19	103,30	96,45	10115019	70	14	30	1,15	11205019	79	16	45	1,67	11305019	79	16	60	1,67	
20	108,40	101,49	10115020	75	14	30	1,21	11205020	84	16	45	2,14	11305020	84	16	60	2,14	
21	113,40	106,52	10115021	75	16	30	1,35	11205021	85	16	45	2,27	11305021	85	20	60	2,27	
22	118,00	111,55	10115022	80	16	30	1,41	11205022	90	16	45	2,54	11305022	90	20	60	2,54	
23	123,40	116,58	10115023	80	16	30	1,47	11205023	95	16	45	2,81	11305023	95	20	60	2,81	
24	128,30	121,62	10115024	80	16	30	1,54	11205024	100	16	45	3,11	11305024	100	20	60	3,11	
25	134,00	126,66	10115025	80	16	30	1,60	11205025	105	16	45	3,14	11305025	105	20	60	3,14	
26	139,00	131,70	10115026	85	20	35	1,96					11305026	110	20	60	3,74		
27	144,00	136,75	10115027	85	20	35	2,04					11305027	110	20	60	3,94		
28	148,70	141,78	10115028	90	20	35	2,25					11305028	115	20	60	4,28		
29	153,80	146,83	10115029	90	20	35	2,33											
30	158,80	151,87	10115030	90	20	35	2,41											
31	163,90	156,92	10115031	95	20	35	2,64											
32	168,90	161,95	10115032	95	20	35	2,73											
33	174,50	167,00	10115033	95	20	35	2,82											
34	179,00	172,05	10115034	95	20	35	2,92											
35	184,10	177,10	10115035	95	20	35	3,01											
36	189,10	182,15	10115036	100	20	35	3,27											
37	194,20	187,20	10115037	100	20	35	3,37											
38	199,20	192,24	10115038	100	20	35	3,47											
39	104,20	197,29	10115039	100	20	35	3,58											
40	209,30	202,34	10115040	100	20	35	3,69											

MATERIAL **C 45 UNI 7845**

Simple sprockets correspond to 5/8 pitch ISO sprockets

CAD drawings available on our site  
[www.chiaravalli.com](http://www.chiaravalli.com)

Quantity, availability and prices  
on B2B Chiaravalli



CHAIN SPROCKETS ASA 50 pitch 5/8" x 3/8" for roller chains in compliance with DIN 8188 - ISO/R 606 - ANSI B 29.1



CHAIN SPROCKETS ASA 60 pitch 3/4" x 1/2" for roller chains in compliance with DIN 8188 - ISO/R 606 - ANSI B 29.1

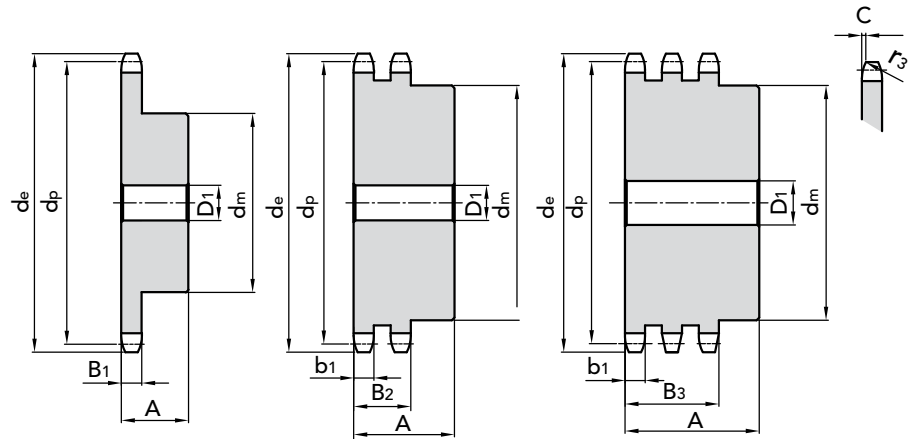
pitch 3/4" x 1/2"

**CHAIN SPROCKETS**

Tooth radius $r_3$	20	mm
Radius width $\check{C}$	2,4	mm
Sprockets tooth width $B_1$	12	mm
Sprockets tooth width $b_1$	11,8	mm
Sprockets tooth width $B_2$	34,6	mm
Sprockets tooth width $B_3$	57,4	mm

**CHAIN**

Pitch	19,05	mm
Inner width	12,7	mm
Roller $\varnothing$	11,91	mm



Z	$d_e$	$d_p$	SIMPLES				DOUBLE				TRIPLE						
			PART NUMBER	$d_m$	$D_1$	A	kg.	PART NUMBER	$d_m$	$D_1$	A	kg.	PART NUMBER	$d_m$	$D_1$	A	kg.
10	71,54	61,64	11106010	42	12	30	0,38	11206010	42	12	45	0,58	11306010	42	16	65	0,86
11	77,51	67,61	11106011	45	12	30	0,50	11206011	47	16	50	0,80					
12	83,49	73,61	11106012	45	12	30	0,64	11206012	53	16	50	1,01	11306012	53	20	70	1,47
13	89,49	79,59	11106013	60	14	35	0,80	11206013	59	16	50	1,24	11306013	59	20	70	1,78
14	95,50	85,61	11106014	60	14	35	0,97	11206014	65	16	50	1,45	11306014	65	20	70	2,16
15	101,52	91,63	11106015	60	14	35	1,16	11206015	71	16	50	1,73	11306015	71	20	70	2,52
16	107,54	97,65	11106016	75	16	35	1,34	11206016	77	20	50	2,03	11306016	77	20	70	2,93
17	113,56	103,67	11106017	75	16	35	1,53	11206017	83	20	50	2,35	11306017	83	20	70	3,44
18	119,59	109,71	11106018	75	16	35	1,61	11206018	89	20	50	2,70	11306018	89	20	70	3,91
19	125,63	115,75	11106019	80	16	35	1,70	11206019	95	20	50	3,06	11306019	95	20	70	4,43
20	131,67	121,78	11106020	80	16	35	1,84	11206020	100	20	50	3,45	11306020	100	20	70	4,96
21	137,71	127,82	11106021	80	16	35	2,35	11206021	100	20	50	3,69	11306021	100	20	70	5,41
22	143,75	133,86	11106022	90	20	40	2,45	11206022	100	20	50	3,96	11306022	100	20	70	59,7
23	149,79	139,90	11106023	90	20	40	2,56	11206023	110	20	50	4,50	11306023	110	20	70	6,64
24	155,84	145,94	11106024	90	20	40	2,67	11206024	110	20	50	4,81	11306024	110	20	70	7,21
25	161,88	152,00	11106025	90	20	40	2,79	11206025	120	20	50	5,40	11306025	120	20	70	7,97
26	167,93	158,04	11106026	90	20	40	3,08	11206026	120	20	50	5,73					
27	173,98	164,09	11106027	90	20	40	3,21	11206027	120	20	50	6,05					
28	180,03	170,13	11106028	95	20	40	3,34	11206028	120	20	50	6,43					
30	192,14	182,25	11106030	95	20	40	3,62	11206030	120	20	50	7,18					

MATERIAL C 45 UNI 7845



CAD drawings available on our site  
[www.chiaravalli.com](http://www.chiaravalli.com)

Quantity, availability and prices  
 on B2B Chiaravalli





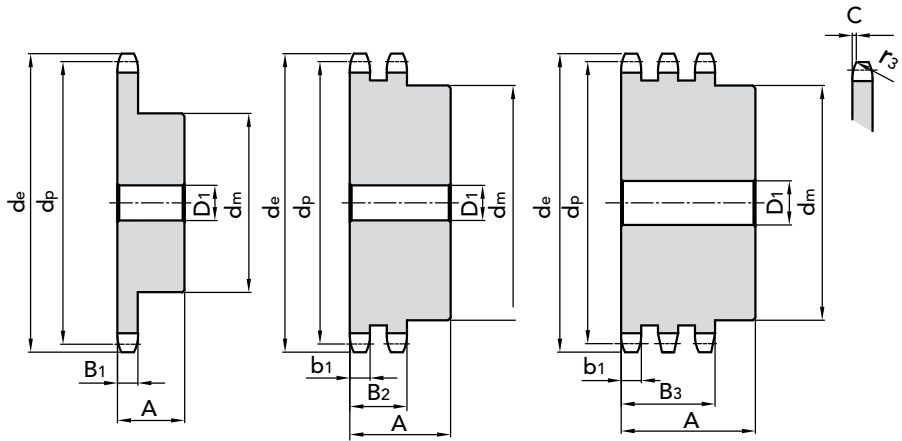
pitch 1" x 5/8"

### CHAIN SPROCKETS

Tooth radius $r_3$	27	mm
Radius width $\bar{C}$	3,2	mm
Sprockets tooth width $B_1$	15	mm
Sprockets tooth width $b_1$	14,7	mm
Sprockets tooth width $B_2$	44	mm
Sprockets tooth width $B_3$	73,3	mm

### CHAIN

Pitch	25,4	mm
Inner width	15,88	mm
Roller $\varnothing$	15,88	mm



#### SIMPLES

#### DOUBLE

#### TRIPLE

Z	d <sub>e</sub>	d <sub>p</sub>	PART NUMBER	d <sub>m</sub>	D <sub>1</sub>	A	kg.	PART NUMBER	d <sub>m</sub>	D <sub>1</sub>	A	kg.	PART NUMBER	d <sub>m</sub>	D <sub>1</sub>	A	kg.	
8																		
9																		
10	95,32	82,79	11108010	55	16	35	0,82	11208010	56	20	65	1,52						
11	103,28	90,14	11108011	61	16	40	1,13											
12	111,26	98,14	11108012	69	16	40	1,42	11208012	72	20	70	2,60	11308012	72	25	100	3,62	
13	119,26	106,12	11108013	78	16	40	1,77	11208013	78	20	70	3,22	11308013	78	25	100	4,45	
14	127,27	114,15	11108014	84	16	40	2,07	11208014	86	20	70	3,82	11308014	86	25	100	5,37	
15	135,29	122,17	11108015	92	16	40	2,46	11208015	94	20	70	4,51	11308015	94	25	100	6,37	
16	143,32	130,20	11108016	100	20	45	3,13	11208016	102	20	70	5,17	11308016	102	30	100	7,45	
17	151,35	138,22	11108017	100	20	45	3,34	11208017	110	20	70	5,97	11308017	110	30	100	8,60	
18	159,39	146,28	11108018	100	20	45	3,55	11208018	118	20	70	6,84	11308018	118	30	100	9,84	
19	167,44	154,33	11108019	100	20	45	3,78	11208019	126	20	70	7,75	11308019	126	30	100	11,16	
20	175,49	162,38	11108020	100	20	45	4,02	11208020	130	20	70	8,43	11308020	130	30	100	12,36	
21	183,54	170,43	11108021	110	20	50	5,01	11208021	130	25	70	9,24						
22	191,60	178,48	11108022	110	20	50	5,26											
23	199,66	186,53	11108023	110	20	50	5,56											
24	207,72	194,59	11108024	110	20	50	5,85											
25	215,78	202,66	11108025	110	20	50	6,16	11208025	130	25	70	12,52						
26	223,84	210,72	11108026	120	20	50	6,96											
27	231,91	218,79	11108027	120	20	50	7,29											
28	239,98	226,85	11108028	120	20	50	7,64											
29																		
30	256,12	243,00	11108030	120	20	50	7,96											

MATERIAL C 45 UNI 7845

CAD drawings available on our site  
[www.chiaravalli.com](http://www.chiaravalli.com)

Quantity, availability and prices  
 on B2B Chiaravalli



CHAIN SPROCKETS ASA 80 pitch 1" x 5/8" for roller chains in compliance with DIN 8188 - ISO/R 606 - ANSI B 29.1



CHAIN SPROCKETS ASA 100 pitch 1" 1/4 x 3/4" for roller chains in compliance with DIN 8188 - ISO/R 606 - ANSI B 29.1

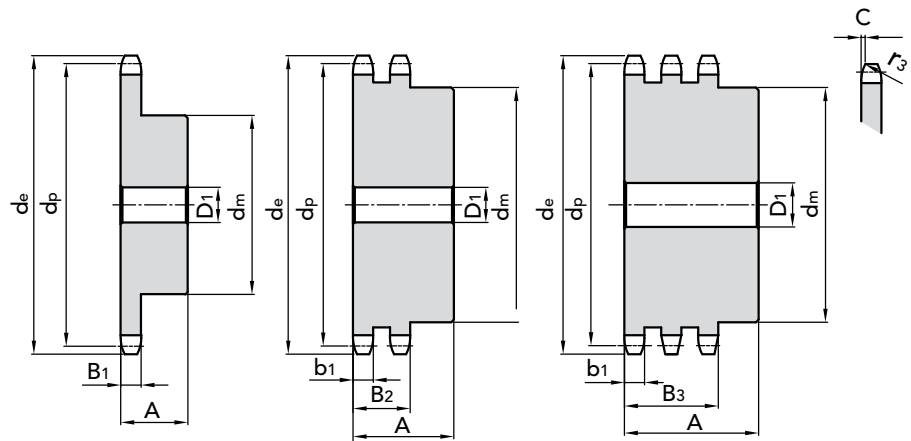
## pitch 1" 1/4 x 3/4"

### CHAIN SPROCKETS

Tooth radius $r_3$	33,5	mm
Radius width $\check{C}$	4	mm
Sprockets tooth width $B_1$	18	mm
Sprockets tooth width $b_1$	17,7	mm
Sprockets tooth width $B_2$	53,5	mm
Sprockets tooth width $B_3$	89,2	mm

### CHAIN

Pitch	31,75	mm
Inner width	19,05	mm
Roller $\varnothing$	19,05	mm



Z	$d_e$	$d_p$	SIMPLES				DOUBLE				TRIPLE							
			PART NUMBER	$d_m$	$D_1$	A	kg.	PART NUMBER	$d_m$	$D_1$	A	kg.	PART NUMBER	$d_m$	$D_1$	A	kg.	
8	98,10	82,96	11110008	53	20	40	0,85											
9	108,00	92,84	11110009	63	20	40	1,18											
10	117,90	102,74	11110010	70	20	40	1,57											
11	127,80	112,68	11110011	77	20	45	2,04	11210011	80	25	80	3,72						
12	137,80	122,68	11110012	88	20	45	2,58	11210012	90	20	80	4,66						
13	147,80	132,65	11110013	98	20	45	3,15	11210013	100	20	80	5,70						
14	157,80	142,68	11110014	108	20	45	3,78	11210014	110	20	80	6,84	11310014	110	30	115	9,71	
15	167,90	152,72	11110015	118	20	45	4,47	11210015	120	20	80	8,08						
16	177,90	162,75	11110016	120	25	50	5,25	11210016	120	25	80	8,90						
17	187,90	172,78	11110017	120	25	50	5,61	11210017	120	25	80	9,92	11310017	420	30	115	14,60	
18	198,00	182,85	11110018	120	25	50	5,99											
19	208,10	192,91	11110019	120	25	50	6,40											
20	218,10	202,95	11110020	120	25	50	6,82											
21	228,20	213,04	11110021	140	25	55	8,79											
22	238,30	223,11	11110022	140	25	55	9,27											
23	248,30	233,17	11110023	140	25	55	9,77											
24	258,40	243,23	11110024	140	25	55	10,30											
25	268,50	253,33	11110025	140	25	55	10,85											

MATERIAL C 45 UNI 7845



CAD drawings available on our site  
[www.chiaravalli.com](http://www.chiaravalli.com)

Quantity, availability and prices  
 on B2B Chiaravalli



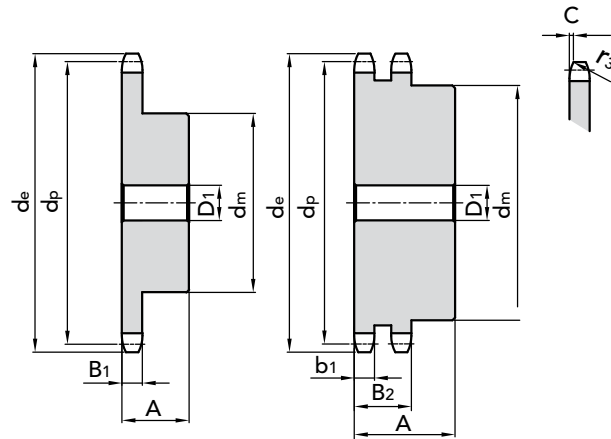
## pitch 1" 1/2 x 1"

### CHAIN SPROCKETS

Tooth radius $r_3$	40,5	mm
Radius width $\bar{C}$	4,8	mm
Sprockets tooth width $B_1$	24,1	mm
Sprockets tooth width $b_1$	23,6	mm
Sprockets tooth width $B_2$	69	mm

### CHAIN

Pitch	38,1	mm
Inner width	25,4	mm
Roller $\varnothing$	22,22	mm



### SIMPLES

### DOUBLE

Z	$d_e$	$d_p$	PART NUMBER	$d_m$	$D_1$	A	kg.	PART NUMBER	$d_m$	$D_1$	A	kg.
8	119,04	99,55	11112008	58	20	45	2,05					
9	130,88	111,40	11112009	70	20	45	2,67					
10	142,77	123,29	11112010	80	20	45	3,45					
11	154,71	135,21	11112011	90	25	50	4,26	11212011	90	25	100	6,62
12	165,00	147,22	11112012	102	25	50	5,22	11212012	102	25	100	8,28
13	178,68	159,18	11112013	114	25	50	6,29	11212013	114	25	100	10,13
14	190,70	171,22	11112014	128	25	50	7,05	11212014	128	25	100	12,24
15	202,73	183,26	11112015	140	25	50	8,12	11212015	140	25	100	14,08
17												
18												
19	245,5	231,49	11112019	136	25	55	10,05					

MATERIAL C 45 UNI 7845

On demand we can manufacture ASA sprockets and pitches not shown on this catalogue.

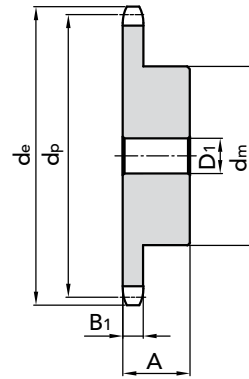
Quantity, availability and prices on B2B Chiaravalli



CHAIN SPROCKETS ASA 120 pitch 1"1/2 x 1" for roller chains in compliance with DIN 8188 - ISO/R 606 - ANSI B 29.1



MATERIAL **STAINLESS STEEL**  
**AISI 304 L**



PITCH	Z	de	PART NUMBER	dp	dm	D1	A	B <sub>1</sub>	Kg
3/8" x 7/32"	12	40,00	14109012	36,80	25,00	8,00	25,00	5,3	0,12
	13	43,00	14109013	39,79	28,00	10,00	25,00	5,3	0,13
	15	49,00	14109015	45,81	34,00	10,00	25,00	5,3	0,19
	16	52,30	14109016	48,82	37,00	10,00	28,00	5,3	0,24
	17	55,30	14109017	51,83	40,00	10,00	28,00	5,3	0,28
	18	58,30	14109018	54,85	43,00	10,00	28,00	5,3	0,33
	19	61,30	14109019	57,87	45,00	10,00	28,00	5,3	0,36
	20	64,30	14109020	60,89	46,00	10,00	28,00	5,3	0,39
	21	68,00	14109021	63,91	48,00	12,00	28,00	5,3	0,42
	23	73,50	14109023	69,65	52,00	12,00	28,00	5,3	0,50
1/2" x 5/16"	25	80,00	14109025	76,00	57,00	12,00	28,00	5,3	0,60
	30	94,70	14109030	91,12	60,00	12,00	30,00	5,3	0,72
	12	53,00	14112012	49,07	33,00	10,00	28,00	7,2	0,21
	13	57,90	14112013	53,06	37,00	10,00	28,00	7,2	0,26
	15	65,90	14112015	61,09	45,00	10,00	28,00	7,2	0,38
	16	69,90	14112016	65,10	50,00	12,00	28,00	7,2	0,46
	17	74,00	14112017	69,11	52,00	12,00	28,00	7,2	0,51
	18	78,00	14112018	73,14	56,00	12,00	28,00	7,2	0,59
	19	82,00	14112019	77,16	60,00	12,00	28,00	7,2	0,67
	20	86,00	14112020	81,19	64,00	12,00	28,00	7,2	0,76
5/8" x 3/8"	21	90,01	14112021	85,22	68,00	14,00	28,00	7,2	0,85
	23	98,01	14112023	93,27	70,00	14,00	28,00	7,2	0,94
	25	106,20	14112025	101,33	70,00	14,00	28,00	7,2	1,01
	30	126,30	14112030	121,50	80,00	16,00	30,00	7,2	1,46
	12	68,00	14115012	61,34	42,00	12,00	30,00	9,1	0,37
	13	73,00	14115013	66,32	47,00	12,00	30,00	9,1	0,46
	15	83,00	14115015	76,36	57,00	12,00	30,00	9,1	0,67
	16	88,00	14115016	81,37	60,00	12,00	30,00	9,1	0,76
	17	93,00	14115017	86,39	60,00	12,00	30,00	9,1	0,88
	18	98,30	14115018	91,42	70,00	12,00	30,00	9,1	1,01
19	103,30	14115019	96,45	70,00	14,00	30,00	9,1	1,15	
20	108,40	14115020	101,49	75,00	14,00	30,00	9,1	1,21	
21	113,40	14115021	106,52	80,00	16,00	30,00	9,1	1,35	
23	123,40	14115023	116,58	80,00	16,00	30,00	9,1	1,47	
25	134,00	14115025	126,66	80,00	16,00	30,00	9,1	1,60	
30	158,80	14115030	151,87	90,00	20,00	35,00	9,1	2,41	

MATERIAL **STAINLESS STEEL**  
**AISI 304 L**

CAD drawings available on our site  
[www.chiaravalli.com](http://www.chiaravalli.com)

Quantity, availability and prices  
on B2B Chiaravalli

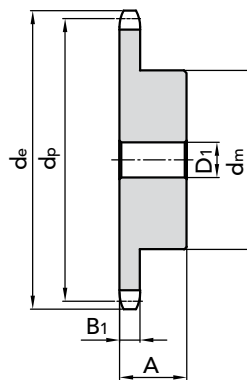






# STAINLESS STEEL CHAIN SPROCKETS

MATERIAL **STAINLESS STEEL**  
AISI 304 L



PITCH	Z	de	PART NUMBER	dp	dm	D1	A	B <sub>1</sub>	Kg
3/4" x 7/16"	12	81,50	14119012	73,61	52,00	14,00	35,00	11,1	0,65
	13	87,50	14119013	79,59	58,00	16,00	35,00	11,1	0,80
	15	99,80	14119015	91,63	70,00	16,00	35,00	11,1	1,16
	16	105,50	14119016	97,65	75,00	16,00	35,00	11,1	1,34
	17	111,50	14119017	103,67	80,00	16,00	35,00	11,1	1,53
	18	118,00	14119018	109,71	80,00	16,00	35,00	11,1	1,61
	19	124,20	14119019	115,75	80,00	16,00	35,00	11,1	1,70
	20	129,70	14119020	121,78	80,00	16,00	35,00	11,1	1,80
	21	136,00	14119021	127,82	90,00	20,00	40,00	11,1	2,35
	23	149,00	14119023	139,90	90,00	20,00	40,00	11,1	2,56
1" x 17,02	25	160,00	14119025	152,00	90,00	20,00	40,00	11,1	2,80
	30	189,78	14119030	182,25	95,00	20,00	40,00	11,1	2,63
	12	109,00	14125012	98,14	69,00	16,00	40,00	16,2	1,43
	13	117,00	14125013	106,12	78,00	16,00	40,00	16,2	1,77
	15	133,00	14125015	122,17	92,00	16,00	40,00	16,2	2,46
	16	141,00	14125016	130,20	100,00	19,00	45,00	16,2	3,14
	17	149,00	14125017	138,22	100,00	20,00	45,00	16,2	3,34
	18	157,00	14125018	146,28	100,00	20,00	45,00	16,2	3,56
	19	165,20	14125019	154,33	100,00	20,00	45,00	16,2	3,78
	20	163,00	14125020	162,38	100,00	20,00	45,00	16,2	4,03
	21	181,20	14125021	170,43	110,00	20,00	50,00	16,2	5,01
	23	197,50	14125023	182,25	95,00	20,00	40,00	16,2	5,56
	25	213,50	14125025	202,66	110,00	20,00	50,00	16,2	6,16
	30	254,00	14125030	243,00	120,00	20,00	55,00	16,2	8,38

MATERIAL **STAINLESS STEEL**  
AISI 304 L



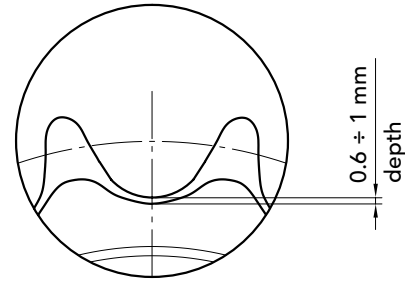
CAD drawings available on our site  
[www.chiaravalli.com](http://www.chiaravalli.com)

Quantity, availability and prices  
on B2B Chiaravalli

STAINLESS STEELCHAIN SPROCKETS for roller chains in compliance with DIN 8187 - ISO/R 606

# SIMPLE CHAIN SPROCKETS HARDENED

## HRC 45 ÷ 53


**SIMPLE CHAIN SPROCKETS HARDENED HRC 45 ÷ 53**
**MATERIAL C 45 UNI 7845**


PITCH	Z	de	PART NUMBER	dp	dm	D1	A	Kg
3/8" x 7/32"	13	43,00	15109013	39,79	28,00	10,00	25,00	0,13
	14	46,50	15109014	42,80	31,00	10,00	25,00	0,16
	15	49,30	15109015	45,81	34,00	10,00	25,00	0,18
	16	52,30	15109016	48,82	37,00	10,00	28,00	0,24
	17	55,30	15109017	51,83	40,00	10,00	28,00	0,28
	18	59,30	15109018	54,85	43,00	10,00	28,00	0,33
	19	61,30	15109019	57,87	45,00	10,00	28,00	0,36
	20	64,30	15109020	60,89	46,00	10,00	28,00	0,39
	21	68,00	15109021	63,91	48,00	12,00	28,00	0,42
	23	73,50	15109023	69,95	52,00	12,00	28,00	0,50
	25	80,00	15109025	76,00	57,00	12,00	28,00	0,60
	27	86,00	15109027	82,05	60,00	12,00	28,00	0,65
30	94,70	15109030	91,12	60,00	12,00	30,00	0,72	
1/2" x 5/16"	13	57,40	15112013	53,60	37,00	10,00	28,00	0,26
	14	61,80	15112014	57,07	41,00	10,00	28,00	0,32
	15	65,90	15112015	61,09	45,00	10,00	28,00	0,38
	16	69,90	15112016	65,10	50,00	12,00	28,00	0,46
	17	74,00	15112017	69,11	52,00	12,00	28,00	0,51
	18	78,00	15112018	73,14	56,00	12,00	28,00	0,59
	19	82,00	15112019	77,16	60,00	12,00	28,00	0,67
	20	86,00	15112020	81,19	64,00	12,00	28,00	0,76
	21	90,10	15112021	85,22	68,00	14,00	28,00	0,85
	23	98,10	15112023	93,27	70,00	14,00	28,00	0,91
	25	106,20	15112025	101,33	70,00	14,00	28,00	1,01
	27	114,00	15112027	109,40	70,00	16,00	30,00	1,26
30	126,30	15112030	121,50	80,00	16,00	30,00	1,46	
5/8" x 3/8"	13	73,00	15115013	66,32	47,00	12,00	30,00	0,46
	14	78,20	15115014	71,34	52,00	12,00	30,00	0,56
	15	83,00	15115015	76,36	57,00	12,00	30,00	0,67
	16	88,00	15115016	81,37	60,00	12,00	30,00	0,76
	17	93,00	15115017	86,39	60,00	12,00	30,00	0,88
	18	98,30	15115018	91,42	70,00	12,00	30,00	1,01
	19	103,30	15115019	96,45	70,00	14,00	30,00	1,15
	20	108,40	15115020	101,49	75,00	14,00	30,00	1,21
	21	113,40	15115021	106,52	80,00	16,00	30,00	1,35
	23	123,40	15115023	116,58	80,00	16,00	30,00	1,47
	25	134,00	15115025	126,66	80,00	16,00	30,00	1,60
	27	143,50	15115027	136,74	80,00	16,00	30,00	2,00
30	158,70	15115030	151,87	90,00	20,00	35,00	2,41	

**MATERIAL C 45 UNI 7845**

 CAD drawings available on our site  
[www.chiaravalli.com](http://www.chiaravalli.com)

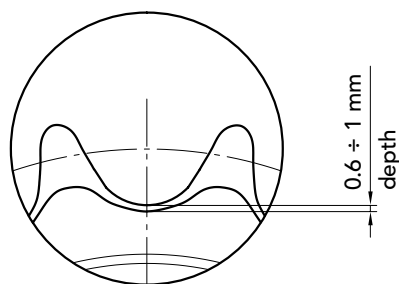
 Quantity, availability and prices  
 on B2B Chiaravalli



# SIMPLE CHAIN SPROCKETS HARDENED

## HRC 45 ÷ 53

MATERIAL C 45 UNI 7845



PITCH	Z	de	PART NUMBER	dp	dm	D1	A	Kg
3/4" x 7/16"	13	87,50	15119013	79,59	58,00	14,00	35,00	0,80
	14	93,80	15119014	85,61	64,00	16,00	35,00	0,97
	15	99,80	15119015	91,63	70,00	16,00	35,00	1,16
	16	105,50	15119016	97,65	75,00	16,00	35,00	1,34
	17	111,50	15119017	103,67	80,00	16,00	35,00	1,53
	18	118,00	15119018	109,71	80,00	16,00	35,00	1,62
	19	124,20	15119019	115,75	80,00	16,00	35,00	1,70
	20	129,70	15119020	121,78	80,00	16,00	35,00	1,80
	21	136,00	15119021	127,82	90,00	20,00	40,00	2,35
	23	149,00	15119023	139,90	90,00	20,00	40,00	2,56
	25	160,00	15119025	152,00	90,00	20,00	40,00	2,80
	27	171,60	15119027	164,09	90,00	20,00	40,00	3,10
30	189,80	15119030	182,25	95,00	20,00	40,00	3,30	
1" x 17,02	13	117,00	15125013	106,12	78,00	16,00	40,00	1,77
	14	125,70	15125014	114,15	84,00	16,00	40,00	2,08
	15	133,00	15125015	122,17	92,00	16,00	40,00	2,46
	16	141,00	15125016	130,20	100,00	19,00	45,00	3,14
	17	149,00	15125017	138,22	100,00	20,00	45,00	3,34
	18	157,00	15125018	146,28	100,00	20,00	45,00	3,56
	19	165,20	15125019	154,33	100,00	20,00	45,00	3,78
	20	173,00	15125020	162,38	100,00	20,00	45,00	4,03
	21	181,20	15125021	170,43	110,00	20,00	50,00	5,14
	23	197,60	15125023	186,54	110,00	20,00	50,00	5,56
	25	213,70	15125025	202,66	110,00	20,00	50,00	6,16
	27	229,60	15125027	218,79	110,00	20,00	50,00	7,00
30	254,60	15125030	243,00	120,00	20,00	50,00	8,38	

MATERIAL C 45 UNI 7845



CAD drawings available on our site  
[www.chiaravalli.com](http://www.chiaravalli.com)

Quantity, availability and prices  
on B2B Chiaravalli

# SIMPLE CHAIN SPROCKETS WITH HARDENED TEETH WITH HOLE + KEYWAY + SCREW HOLES



## 3/8" x 7/32" 06B-1

### CHAIN SPROCKETS

Sprockets tooth width  $B_1$  5,3 mm

### CHAIN

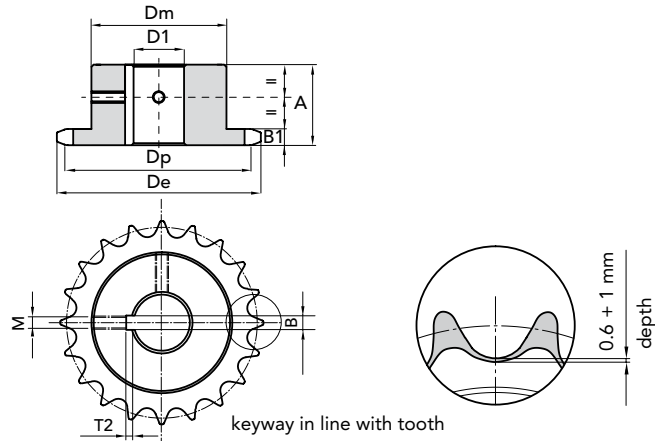
Pitch 9,525 mm

Inner width 5,72 mm

Roller  $\varnothing$  9,35 mm

**KEYWAY DIN 6885 UNI 6604**

Hardened teeth HRC 45±53



SIMPLE CHAIN SPROCKETS 3/8"x7/32" 06B-1 for roller chains in compliance with DIN 8187 - ISO/R 606

Z	P. NUMBER	$d_e$	$d_p$	$d_m$	A	$\varnothing D1$ H7	B H9	T2	M	Z	P. NUMBER	$d_e$	$d_p$	$d_m$	A	$\varnothing D1$ H7	B H9	T2	M
12	16091212	40,45	36,8	25	25	12	4	1,8	M4	18	16091814	58,3	54,85	43	28	14	5	2,3	M4
	16091214			29		14	5	2,3	M4		16091815					15	5	2,3	M4
	16091215			30		15	5	2,3	M4		16091816					16	5	2,3	M4
	16091216			31		16	5	2,3	M4		16091818					18	6	2,8	M5
13	16091312	43,5	39,8	28	25	12	4	1,8	M4		16091819					19	6	2,8	M5
	16091314					14	5	2,3	M4		16091820					20	6	2,8	M5
	16091315					15	5	2,3	M4		16091822					22	6	2,8	M5
	16091316					16	5	2,3	M4		16091824					24	8	3,3	M6
	16091318					18	6	2,8	M5	19	16091915	61,6	57,87	45	28	15	5	2,3	M4
14	16091412	46,5	42,8	31	25	12	4	1,8	M4		16091916					16	5	2,3	M4
	16091414					14	5	2,3	M4		16091918					18	6	2,8	M5
	16091415					15	5	2,3	M4		16091919					19	6	2,8	M5
	16091416					16	5	2,3	M4		16091920					20	6	2,8	M5
	16091418					18	6	2,8	M5		16091922					22	6	2,8	M5
15	16091514	49,5	45,81	34	25	14	5	2,3	M4		16091924					24	8	3,3	M6
	16091515					15	5	2,3	M4		16091925					25	8	3,3	M6
	16091516					16	5	2,3	M4	20	16092015	64,3	60,89	46	28	15	5	2,3	M4
	16091518					18	6	2,8	M5		16092016					16	5	2,3	M4
	16091519					19	6	2,8	M5		16092018					18	6	2,8	M5
	16091520					20	6	2,8	M5		16092019					19	6	2,8	M5
	16091522					22	6	2,8	M5		16092020					20	6	2,8	M5
	16091524					24	8	3,3	M6		16092022					22	6	2,8	M5
16	16091614	52,3	48,82	37	28	14	5	2,3	M4		16092024					24	8	3,3	M6
	16091615					15	5	2,3	M4		16092025					25	8	3,3	M6
	16091616					16	5	2,3	M4		16092115	67,6	63,91	48	28	15	5	2,3	M4
	16091618					18	6	2,8	M5		16092116					16	5	2,3	M4
	16091619					19	6	2,8	M5		16092118					18	6	2,8	M5
	16091620					20	6	2,8	M5		16092119					19	6	2,8	M5
	16091622					22	6	2,8	M5		16092120					20	6	2,8	M5
	16091624					24	8	3,3	M6		16092122					22	6	2,8	M5
17	16091714	55,5	51,83	40	28	14	5	2,3	M4		16092124					24	8	3,3	M6
	16091715					15	5	2,3	M4		16092125					25	8	3,3	M6
	16091716					16	5	2,3	M4										
	16091718					18	6	2,8	M5										
	16091719					19	6	2,8	M5										
	16091720					20	6	2,8	M5										
	16091722					22	6	2,8	M5										
	16091724					24	8	3,3	M6										

MATERIAL **C 45 UNI 7845**

CAD drawings available on our site  
[www.chiaravalli.com](http://www.chiaravalli.com)

Quantity, availability and prices  
 on B2B Chiaravalli







# SIMPLE CHAIN SPROCKETS WITH HARDENED TEETH WITH HOLE + KEYWAY + SCREW HOLES

3/8" x 7/32" 06B-1

## CHAIN SPROCKETS

Sprockets tooth width  $B_1$  5,3 mm

## CHAIN

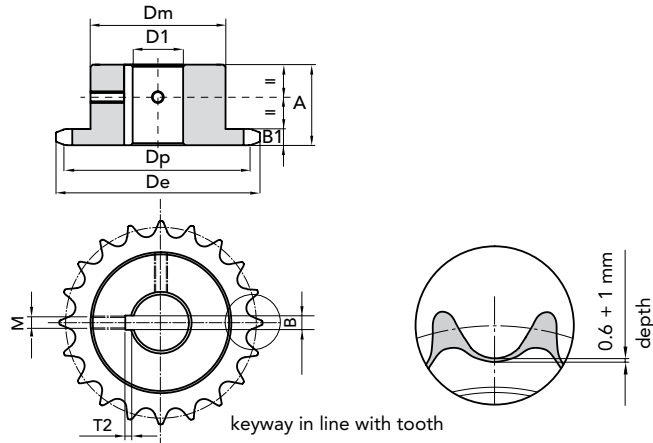
Pitch 9,525 mm

Inner width 5,72 mm

Roller  $\varnothing$  9,35 mm

**KEYWAY DIN 6885 UNI 6604**

Hardened teeth HRC 45÷53



Z	P. NUMBER	$d_e$	$d_p$	dm	A	$\varnothing D1$ H7	B H9	T2	M
23	16092315	73,7	69,95	52	28	15	5	2,3	M4
	16092316					16	5	2,3	M4
	16092318					18	6	2,8	M5
	16092319					19	6	2,8	M5
	16092320					20	6	2,8	M5
	16092322					22	6	2,8	M5
	16092324					24	8	3,3	M6
	16092325					25	8	3,3	M6
24	16092418	76,7	72,97	54	28	18	6	2,8	M5
	16092419					19	6	2,8	M5
	16092420					20	6	2,8	M5
	16092422					22	6	2,8	M5
	16092424					24	8	3,3	M6
	16092425					25	8	3,3	M6
	16092428					28	8	3,3	M6
	16092430					30	8	3,3	M6
25	16092518	79,7	76	57	28	18	6	2,8	M5
	16092519					19	6	2,8	M5
	16092520					20	6	2,8	M5
	16092522					22	6	2,8	M5
	16092524					24	8	3,3	M6
	16092525					25	8	3,3	M6
	16092528					28	8	3,3	M6
	16092530					30	8	3,3	M6
27	16092720	85,7	82,05	60	28	20	6	2,8	M5
	16092722					22	6	2,8	M5
	16092724					24	8	3,3	M6
	16092725					25	8	3,3	M6
	16092728					28	8	3,3	M6
	16092730					30	8	3,3	M6
30	16093020	94,8	91,12	60	30	20	6	2,8	M5
	16093022					22	6	2,8	M5
	16093024					24	8	3,3	M6
	16093025					25	8	3,3	M6
	16093028					28	8	3,3	M6
	16093030					30	8	3,3	M6

MATERIAL **C 45 UNI 7845**

CAD drawings available on our site  
[www.chiaravalli.com](http://www.chiaravalli.com)

Quantity, availability and prices  
 on B2B Chiaravalli



SIMPLE CHAIN SPROCKETS 3/8"x7/32" 06B-1 for roller chains in compliance with DIN 8187 - ISO/R 606

# SIMPLE CHAIN SPROCKETS WITH HARDENED TEETH WITH HOLE + KEYWAY + SCREW HOLES



1/2" x 5/16" 08B-1

## CHAIN SPROCKETS

Sprockets tooth width  $B_1$  7,2 mm

## CHAIN

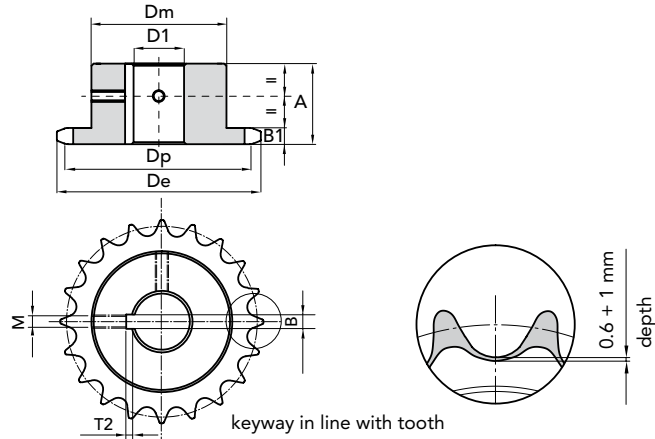
Pitch 12,7 mm

Inner width 7,75 mm

Roller  $\varnothing$  8,51 mm

**KEYWAY DIN 6885 UNI 6604**

Hardened teeth HRC 45÷53



SIMPLE CHAIN SPROCKETS 1/2"x5/16" 08B-1 for roller chains in compliance with DIN 8187 - ISO/R

Z	P. NUMBER	$d_e$	$d_p$	$d_m$	A	$\varnothing D1$ H7	B H9	T2	M	ZP. NUMBER	$d_e$	$d_p$	$d_m$	A	$\varnothing D1$ H7	B H9	T2	M	
12	1612121 2	53,9	49,07	33	28	12	4	1,8	M4	16	16121615	69,5	65,1	50	28	15	5	2,3	M4
	16121214					14	5	2,3	M4		16121616					16	5	2,3	M4
	16121215					15	5	2,3	M4		16121618					18	6	2,8	M5
	16121216					16	5	2,3	M4		16121619					19	6	2,8	M5
	16121218					18	6	2,8	M5		16121620					20	6	2,8	M5
	16121219					19	6	2,8	M5		16121622					22	6	2,8	M5
	16121220					20	6	2,8	M5		16121624					24	8	3,3	M6
13	16121312	57,9	53,06	37	28	12	4	1,8	M4		16121625					25	8	3,3	M6
	16121314					14	5	2,3	M4		16121628					28	8	3,3	M6
	16121315					15	5	2,3	M4		16121630					30	8	3,3	M6
	16121316					16	5	2,3	M4	17	16121715	74	69,11	52	28	15	5	2,3	M4
	16121318					18	6	2,8	M5		16121716					16	5	2,3	M4
	16121319					19	6	2,8	M5		16121718					18	6	2,8	M5
	16121320					20	6	2,8	M5		16121719					19	6	2,8	M5
	16121322					22	6	2,8	M5		16121720					20	6	2,8	M5
	16121324					24	8	3,3	M6		16121722					22	6	2,8	M5
14	16121414	61,6	57,07	41	28	14	5	2,3	M4		16121724					24	8	3,3	M6
	16121415					15	5	2,3	M4		16121725					25	8	3,3	M6
	16121416					16	5	2,3	M4		16121728					28	8	3,3	M6
	16121418					18	6	2,8	M5		16121730					30	8	3,3	M6
	16121419					19	6	2,8	M5	18	16121816	77,8	73,14	56	28	16	5	2,3	M4
	16121420					20	6	2,8	M5		16121818					18	6	2,8	M5
	16121422					22	6	2,8	M5		16121819					19	6	2,8	M5
	16121424					24	8	3,3	M6		16121820					20	6	2,8	M5
	16121425					25	8	3,3	M6		16121822					22	6	2,8	M5
15	16121514	65,9	61,09	45	28	14	5	2,3	M4		16121824					24	8	3,3	M6
	16121515					15	5	2,3	M4		16121825					25	8	3,3	M6
	16121516					16	5	2,3	M4		16121828					28	8	3,3	M6
	16121518					18	6	2,8	M5		16121830					30	8	3,3	M6
	16121519					19	6	2,8	M5		16121832					32	10	3,3	M8
	16121520					20	6	2,8	M5		16121835					35	10	3,3	M8
	16121522					22	6	2,8	M5										
	16121524					24	8	3,3	M6										
	16121525					25	8	3,3	M6										
	16121528					28	8	3,3	M6										
	16121530					30	8	3,3	M6										

MATERIAL **C 45 UNI 7845**

CAD drawings available on our site  
[www.chiaravalli.com](http://www.chiaravalli.com)

Quantity, availability and prices  
 on B2B Chiaravalli





# SIMPLE CHAIN SPROCKETS WITH HARDENED TEETH WITH HOLE + KEYWAY + SCREW HOLES

1/2" x 5/16" 08B-1

### CHAIN SPROCKETS

Sprockets tooth width  $B_1$  7,2 mm

### CHAIN

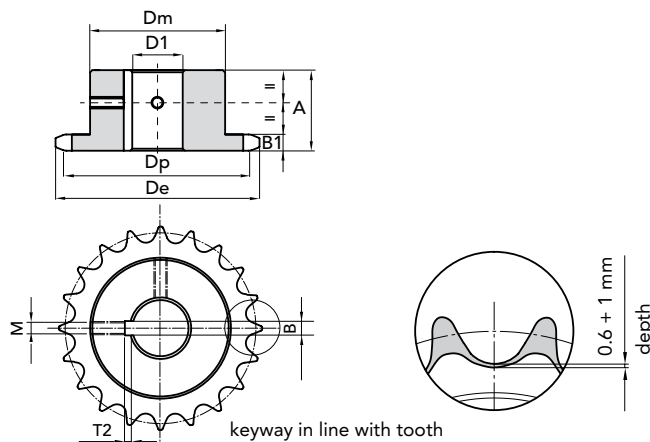
Pitch 12,7 mm

Inner width 7,75 mm

Roller  $\varnothing$  8,51 mm

**KEYWAY DIN 6885 UNI 6604**

Hardened teeth HRC 45÷53



Z	P. NUMBER	$d_e$	$d_p$	dm	A	$\varnothing D1$ H7	B H9	T2	M
19	16121919	82	77,16	60	28	19	6	2,8	M5
	16121920					20	6	2,8	M5
	16121922					22	6	2,8	M5
	16121924					24	8	3,3	M6
	16121925					25	8	3,3	M6
	16121928					28	8	3,3	M6
	16121930					30	8	3,3	M6
	16121932					32	10	3,3	M8
	16121935					35	10	3,3	M8
20	16122019	85,8	81,19	64	28	19	6	2,8	M5
	16122020					20	6	2,8	M5
	16122022					22	6	2,8	M5
	16122024					24	8	3,3	M6
	16122025					25	8	3,3	M6
	16122028					28	8	3,3	M6
	16122030					30	8	3,3	M6
	16122032					32	10	3,3	M8
	16122035					35	10	3,3	M8
21	16122119	90,1	85,22	68	28	19	6	2,8	M5
	16122120					20	6	2,8	M5
	16122122					22	6	2,8	M5
	16122124					24	8	3,3	M6
	16122125					25	8	3,3	M6
	16122128					28	8	3,3	M6
	16122130					30	8	3,3	M6
	16122132					32	10	3,3	M8
	16122135					35	10	3,3	M8
23	16122320	98,1	93,27	70	28	20	6	2,8	M5
	16122322					22	6	2,8	M5
	16122324					24	8	3,3	M6
	16122325					25	8	3,3	M6
	16122328					28	8	3,3	M6
	16122330					30	8	3,3	M6
	16122332					32	10	3,3	M8
	16122335					35	10	3,3	M8
	16122338					38	10	3,3	M8

Z	P. NUMBER	$d_e$	$d_p$	dm	A	$\varnothing D1$ H7	B H9	T2	M
24	16122420	102,1	97,29	70	28	20	6	2,8	M5
	16122422					22	6	2,8	M5
	16122424					24	8	3,3	M6
	16122425					25	8	3,3	M6
	16122428					28	8	3,3	M6
	16122430					30	8	3,3	M6
	16122432					32	8	3,3	M8
	16122435					35	10	3,3	M8
	16122438					38	10	3,3	M8
25	16122520	105,8	101,33	70	28	20	6	2,8	M5
	16122522					22	6	2,8	M5
	16122524					24	8	3,3	M6
	16122525					25	8	3,3	M6
	16122528					28	8	3,3	M6
	16122530					30	8	3,3	M6
	16122532					32	10	3,3	M8
	16122535					35	10	3,3	M8
	16122538					38	10	3,3	M8
27	16122722	114	109,4	70	30	22	6	2,8	M5
	16122725					25	8	3,3	M6
	16122728					28	8	3,3	M6
	16122730					30	8	3,3	M6
	16122732					32	10	3,3	M8
	16122735					35	10	3,3	M8
	16122738					38	10	3,3	M8
30	16123025	126	121,5	80	30	25	8	3,3	M6
	16123028					28	8	3,3	M6
	16123030					30	8	3,3	M6
	16123032					32	10	3,3	M8
	16123035					35	10	3,3	M8
	16123038					38	10	3,3	M8

SIMPLE CHAIN SPROCKETS 1/2"x5/16" 08B-1 for roller chains in compliance with DIN 8187 - ISO/R

MATERIAL C 45 UNI 7845

CAD drawings available on our site  
[www.chiaravalli.com](http://www.chiaravalli.com)

Quantity, availability and prices  
with B2B Chiaravalli



# SIMPLE CHAIN SPROCKETS WITH HARDENED TEETH WITH HOLE + KEYWAY + SCREW HOLES



## 5/8" x 3/8" 10B-1

### CHAIN SPROCKETS

Sprockets tooth width  $B_1$  9,1 mm

### CHAIN

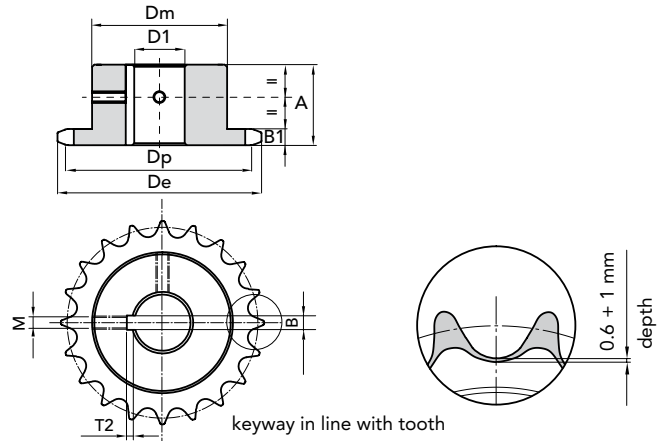
Pitch 15,875 mm

Inner width 9,65 mm

Roller  $\varnothing$  10,16 mm

**KEYWAY DIN 6885 UNI 6604**

Hardened teeth HRC 45÷53



SIMPLE CHAIN SPROCKETS 5/8"x3/8" 10B-1 for roller chains in compliance with DIN 8187 - ISO/R 606

Z	P. NUMBER	$d_e$	$d_p$	$d_m$	A	$\varnothing D1$ H7	B H9	T2	M	Z	P. NUMBER	$d_e$	$d_p$	$d_m$	A	$\varnothing D1$ H7	B H9	T2	M
12	16151216	68,2	61,34	42	30	16	5	2,3	M4	16	16151620	88	81,37	60	30	20	6	2,8	M5
	16151219					19	6	2,8	M5		16151622					22	6	2,8	M5
	16151220					20	6	2,8	M5		16151624					24	8	3,3	M6
	16151222					22	6	2,8	M5		16151625					25	8	3,3	M6
	16151224					24	8	3,3	M6		16151628					28	8	3,3	M6
	16151225					25	8	3,3	M6		16151630					30	8	3,3	M6
	16151228			51		28	8	3,3	M6		16151632					32	10	3,3	M8
	16151230			51		30	8	3,3	M6		16151635					35	10	3,3	M8
13	16151316	73,2	66,32	47	30	16	5	2,3	M4	17	16151720	93,2	86,39	60	30	20	6	2,8	M5
	16151319					19	6	2,8	M5		16151722					22	6	2,8	M5
	16151320					20	6	2,8	M5		16151724					24	8	3,3	M6
	16151322					22	6	2,8	M5		16151725					25	8	3,3	M6
	16151324					24	8	3,3	M6		16151728					28	8	3,3	M6
	16151325					25	8	3,3	M6		16151730					30	8	3,3	M6
	16151328					28	8	3,3	M6		16151732					32	10	3,3	M8
	16151330					30	8	3,3	M6		16151735					35	10	3,3	M8
14	16151416	78,2	71,34	52	30	16	5	2,3	M4	18	16151820	98,3	91,42	70	30	20	6	2,8	M5
	16151419					19	6	2,8	M5		16151822					22	6	2,8	M5
	16151420					20	6	2,8	M5		16151824					24	8	3,3	M6
	16151422					22	6	2,8	M5		16151825					25	8	3,3	M6
	16151424					24	8	3,3	M6		16151828					28	8	3,3	M6
	16151425					25	8	3,3	M6		16151830					30	8	3,3	M6
	16151428					28	8	3,3	M6		16151832					32	10	3,3	M8
	16151430					30	8	3,3	M6		16151835					35	10	3,3	M8
15	16151519	83,2	76,36	57	30	19	6	2,8	M5		16151838					38	10	3,3	M8
	16151520					20	6	2,8	M5		16151840					40	12	3,3	M10
	16151522					22	6	2,8	M5	19	16151920	103,3	96,45	70	30	20	6	2,8	M5
	16151524					24	8	3,3	M6		16151922					22	6	2,8	M5
	16151525					25	8	3,3	M6		16151924					24	8	3,3	M6
	16151528					28	8	3,3	M6		16151925					25	8	3,3	M6
	16151530					30	8	3,3	M6		16151928					28	8	3,3	M6
	16151532					32	10	3,3	M8		16151930					30	8	3,3	M6
	16151535					35	10	3,3	M8		16151932					32	10	3,3	M8
											16151935					35	10	3,3	M8
											16151938					38	10	3,3	M8
											16151940					40	12	3,3	M10

MATERIAL **C 45 UNI 7845**

CAD drawings available on our site  
[www.chiaravalli.com](http://www.chiaravalli.com)

Quantity, availability and prices  
 on B2B Chiaravalli





# SIMPLE CHAIN SPROCKETS WITH HARDENED TEETH WITH HOLE + KEYWAY + SCREW HOLES

5/8" x 3/8" 10B-1

**CHAIN SPROCKETS**

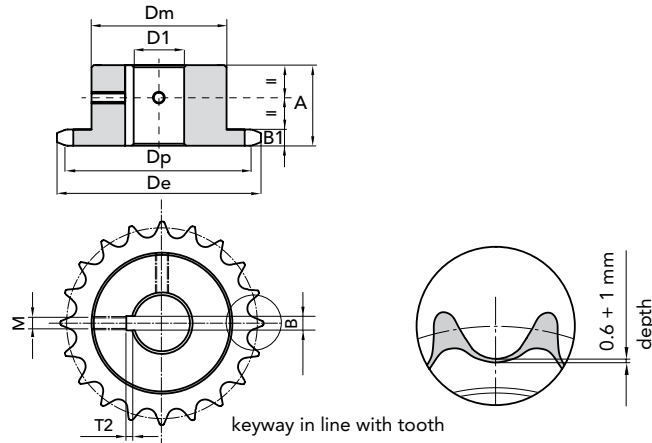
Sprockets tooth width  $B_1$  9,1 mm

**CHAIN**

Pitch 15,875 mm  
 Inner width 9,65 mm  
 Roller  $\varnothing$  10,16 mm

**KEYWAY DIN 6885 UNI 6604**

Hardened teeth HRC 45÷53



Z	P. NUMBER	$d_e$	$d_p$	dm	A	$\varnothing D1$ H7	B H9	T2	M
20	16152020	108,4	101,49	75	30	20	6	2,8	M5
	16152022					22	6	2,8	M5
	16152024					24	8	3,3	M6
	16152025					25	8	3,3	M6
	16152028					28	8	3,3	M6
	16152030					30	8	3,3	M6
	16152032					32	10	3,3	M8
	16152035					35	10	3,3	M8
	16152038					38	10	3,3	M8
	16152040					40	12	3,3	M10
21	16152120	113,4	106,52	75	30	20	6	2,8	M5
	16152122					22	6	2,8	M5
	16152124					24	8	3,3	M6
	16152125					25	8	3,3	M6
	16152128					28	8	3,3	M6
	16152130					30	8	3,3	M6
	16152132					32	10	3,3	M8
	16152135					35	10	3,3	M8
	16152138					38	10	3,3	M8
	16152140					40	12	3,3	M10
23	16152320	123,4	116,58	80	30	20	6	2,8	M5
	16152322					22	6	2,8	M5
	16152324					24	8	3,3	M6
	16152325					25	8	3,3	M6
	16152328					28	8	3,3	M6
	16152330					30	8	3,3	M6
	16152332					32	10	3,3	M8
	16152335					35	10	3,3	M8
	16152338					38	10	3,3	M8
	16152340					40	12	3,3	M10
	16152342					42	12	3,3	M10

Z	P. NUMBER	$d_e$	$d_p$	dm	A	$\varnothing D1$ H7	B H9	T2	M
24	16152420	128,5	121,62	80	30	20	6	2,8	M5
	16152422					22	6	2,8	M5
	16152424					24	8	3,3	M6
	16152425					25	8	3,3	M6
	16152428					28	8	3,3	M6
	16152430					30	8	3,3	M6
	16152432					32	10	3,3	M8
	16152435					35	10	3,3	M8
	16152438					38	10	3,3	M8
	16152440					40	12	3,3	M10
	16152442					42	12	3,3	M10
25	16152522	133,5	126,66	80	30	22	6	2,8	M5
	16152524					24	8	3,3	M6
	16152525					25	8	3,3	M6
	16152528					28	8	3,3	M6
	16152530					30	8	3,3	M6
	16152532					32	10	3,3	M8
	16152535					35	10	3,3	M8
	16152538					38	10	3,3	M8
	16152540					40	12	3,3	M10
	16152542					42	12	3,3	M10

SIMPLE CHAIN SPROCKETS 5/8"x3/8" 10B-1 for roller chains in compliance with DIN 8187 - ISO/R 606

MATERIAL C 45 UNI 7845

CAD drawings available on our site  
[www.chiaravalli.com](http://www.chiaravalli.com)

Quantity, availability and prices  
 on B2B Chiaravalli





# SIMPLE CHAIN SPROCKETS WITH HARDENED TEETH WITH HOLE + KEYWAY + SCREW HOLES



SIMPLE CHAIN SPROCKETS 3/4"x7/16" 12B-1 for roller chains in compliance with DIN 8187 - ISO/R

**3/4" x 7/16" 12B-1**

## CHAIN SPROCKETS

Sprockets tooth width  $B_1$  11,1 mm

## CHAIN

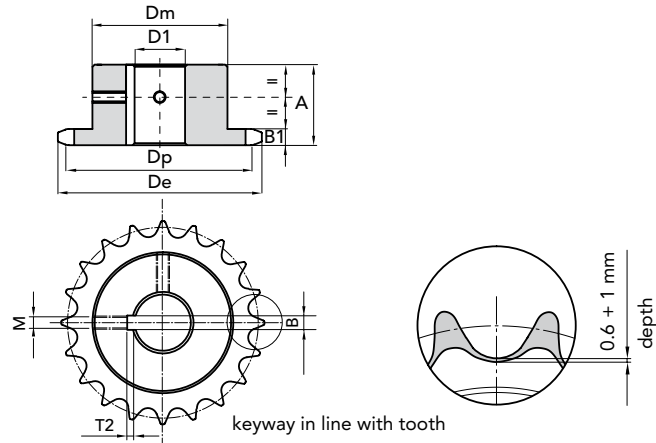
Pitch 19,05 mm

Inner width 11,68 mm

Roller  $\varnothing$  12,07 mm

**KEYWAY DIN 6885 UNI 6604**

Hardened teeth HRC 45÷53



Z	P. NUMBER	$d_e$	$d_p$	$d_m$	A	$\varnothing D1$ H7	B H9	T2	M	Z	P. NUMBER	$d_e$	$d_p$	$d_m$	A	$\varnothing D1$ H7	B H9	T2	M
12	1619122 0	81,8	73,6	52	35	20	6	2,8	M5	16	16191620	105,5	97,65	75	35	20	6	2,8	M5
	16191222					22	6	2,8	M5		16191622					22	6	2,8	M5
	16191224					24	8	3,3	M6		16191624					24	8	3,3	M6
	16191225					25	8	3,3	M6		16191625					25	8	3,3	M6
	16191228					28	8	3,3	M6		16191628					28	8	3,3	M6
	16191230					30	8	3,3	M6		16191630					30	8	3,3	M6
13	16191320	87,1	79,6	58	35	20	6	2,8	M5		16191632					32	10	3,3	M8
	16191322					22	6	2,8	M5		16191635					35	10	3,3	M8
	16191324					24	8	3,3	M6		16191638					38	10	3,3	M8
	16191325					25	8	3,3	M6		16191640					40	12	3,3	M10
	16191328					28	8	3,3	M6	17	16191722	111,2	103,67	80	35	22	6	2,8	M5
	16191330					30	8	3,3	M6		16191725					25	8	3,3	M6
	16191332					32	10	3,3	M8		16191728					28	8	3,3	M6
	16191335					35	10	3,3	M8		16191730					30	8	3,3	M6
14	16191420	93,8	85,61	64	35	20	6	2,8	M5		16191732					32	10	3,3	M8
	16191422					22	6	2,8	M5		16191735					35	10	3,3	M8
	16191424					24	8	3,3	M6		16191738					38	10	3,3	M8
	16191425					25	8	3,3	M6		16191740					40	12	3,3	M10
	16191428					28	8	3,3	M6	18	16191822	118	109,71	80	35	22	6	2,8	M5
	16191430					30	8	3,3	M6		16191825					25	8	3,3	M6
	16191432					32	10	3,3	M8		16191828					28	8	3,3	M6
	16191435					35	10	3,3	M8		16191830					30	8	3,3	M6
15	16191520	99,2	91,63	70	35	20	6	2,8	M5		16191832					32	10	3,3	M8
	16191522					22	6	2,8	M5		16191835					35	10	3,3	M8
	16191524					24	8	3,3	M6		16191838					38	10	3,3	M8
	16191525					25	8	3,3	M6		16191840					40	12	3,3	M10
	16191528					28	8	3,3	M6	19	16191925	123,3	115,75	80	35	25	8	3,3	M6
	16191530					30	8	3,3	M6		16191928					28	8	3,3	M6
	16191532					32	10	3,3	M8		16191930					30	8	3,3	M6
	16191535					35	10	3,3	M8		16191932					32	10	3,3	M8
	16191538					38	10	3,3	M8		16191935					35	10	3,3	M8
	16191540					40	12	3,3	M10		16191938					38	10	3,3	M8
											16191940					40	12	3,3	M10
											16191942					42	12	3,3	M10
											16191945					45	14	3,8	M12

MATERIAL **C 45 UNI 7845**

CAD drawings available on our site  
[www.chiaravalli.com](http://www.chiaravalli.com)

Quantity, availability and prices  
 on B2B Chiaravalli





# SIMPLE CHAIN SPROCKETS WITH HARDENED TEETH WITH HOLE + KEYWAY + SCREW HOLES

**3/4" x 7/16" 12B-1**

**CHAIN SPROCKETS**

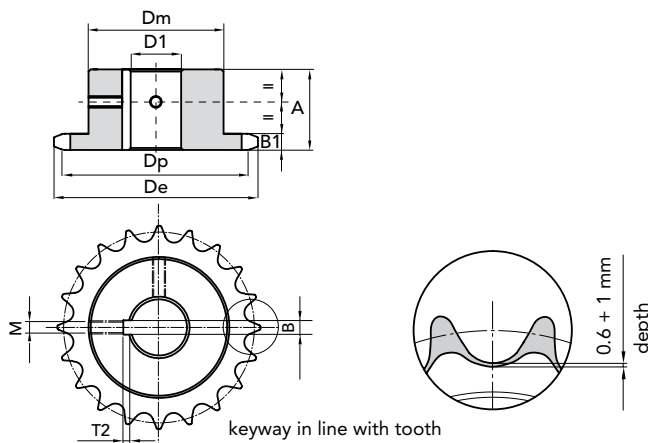
Sprockets tooth width  $B_1$  11,1 mm

**CHAIN**

Pitch 19,05 mm  
 Inner width 11,68 mm  
 Roller  $\varnothing$  12,07 mm

**KEYWAY DIN 6885 UNI 6604**

Hardened teeth HRC 45÷53



Z	P. NUMBER	$d_e$	$d_p$	$d_m$	A	$\varnothing D1$ H7	B H9	T2	M
20	16192025	129,7	121,78	80	35	25	8	3,3	M6
	16192028					28	8	3,3	M6
	16192030					30	8	3,3	M6
	16192032					32	10	3,3	M8
	16192035					35	10	3,3	M8
	161920a38					38	10	3,3	M8
	16192040					40	12	3,3	M10
	16192042					42	12	3,3	M10
	16192045					45	14	3,8	M12
21	16192128	135,4	127,82	90	40	28	8	3,3	M6
	16192130					30	8	3,3	M6
	16192132					32	10	3,3	M8
	16192135					35	10	3,3	M8
	16192138					38	10	3,3	M8
	16192140					40	12	3,3	M10
	16192142					42	12	3,3	M10
	16192145					45	14	3,8	M12
	16192148					48	14	3,8	M12
	16192150					50	14	3,8	M12
23	16192328	147,4	139,9	90	40	28	8	3,3	M6
	16192330					30	8	3,3	M6
	16192332					32	10	3,3	M8
	16192335					35	10	3,3	M8
	16192338					38	10	3,3	M8
	16192340					40	12	3,3	M10
	16192342					42	12	3,3	M10
	16192345					45	14	3,8	M12
	16192348					48	14	3,8	M12
	16192350					50	14	3,8	M12

Z	P. NUMBER	$d_e$	$d_p$	$d_m$	A	$\varnothing D1$ H7	B H9	T2	M
24	16192428	154,1	145,94	90	40	28	8	3,3	M6
	16192430					30	8	3,3	M6
	16192432					32	10	3,3	M8
	16192435					35	10	3,3	M8
	16192438					38	10	3,3	M8
	16192440					40	12	3,3	M10
	16192442					42	12	3,3	M10
	16192445					45	14	3,8	M12
	16192448					48	14	3,8	M12
	16192450					50	14	3,8	M12
25	16192528	159,5	152	90	40	28	8	3,3	M6
	16192530					30	8	3,3	M6
	16192532					32	10	3,3	M8
	16192535					35	10	3,3	M8
	16192538					38	10	3,3	M8
	16192540					40	12	3,3	M10
	16192542					42	12	3,3	M10
	16192545					45	14	3,8	M12
	16192548					48	14	3,8	M12
	16192550					50	14	3,8	M12

MATERIAL **C 45 UNI 7845**

CAD drawings available on our site  
[www.chiaravalli.com](http://www.chiaravalli.com)

Quantity, availability and prices  
 on B2B Chiaravalli



SIMPLE CHAIN SPROCKETS 3/4" x 7/16" 12B-1 for roller chains in compliance with DIN 8187 - ISO/R

# SIMPLE CHAIN SPROCKETS WITH HARDENED TEETH WITH HOLE + KEYWAY + SCREW HOLES



SIMPLE CHAIN SPROCKETS 1" x 17.02 16B-1 for roller chains in compliance with DIN 8187 - ISO/R 606

1" x 17.02 16B-1

## CHAIN SPROCKETS

Sprockets tooth width  $B_1$  16,2 mm

## CHAIN

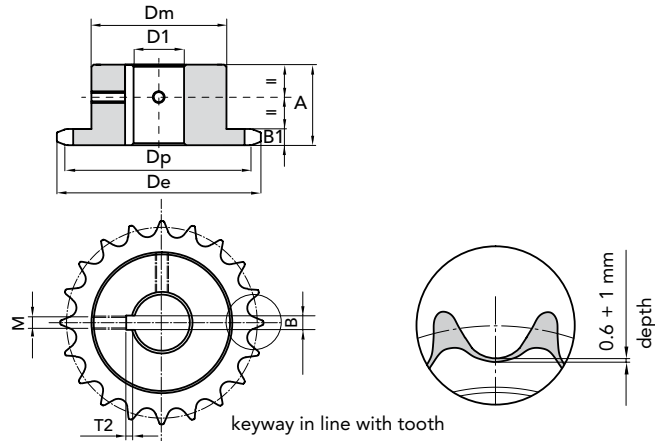
Pitch 25,4 mm

Inner width 17,02 mm

Roller  $\varnothing$  15,88 mm

## KEYWAY DIN 6885 UNI 6604

Hardened teeth HRC 45÷53



Z	P. NUMBER	$d_e$	$d_p$	dm	A	$\varnothing D1$ H7	B H9	T2	M	Z	P. NUMBER	$d_e$	$d_p$	dm	A	$\varnothing D1$ H7	B H9	T2	M
12	16251225	109,71	98,14	69	40	25	8	3,3	M6	16	16251630	141	130,2	100	45	30	8	3,3	M6
	16251228					28	8	3,3	M6		16251632					32	10	3,3	M8
	16251230					30	8	3,3	M6		16251635					35	10	3,3	M8
	16251232					32	10	3,3	M8		16251638					38	10	3,3	M8
	16251235					35	10	3,3	M8		16251640					40	12	3,3	M10
	16251238					38	10	3,3	M8		16251642					42	12	3,3	M10
	16251240					40	12	3,3	M10		16251645					45	14	3,8	M12
13	16251325	117,2	106,14	78	40	25	8	3,3	M6		16251648					48	14	3,8	M12
	16251328					28	8	3,3	M6		16251650					50	14	3,8	M12
	16251330					30	8	3,3	M6	17	16251730	149,4	138,22	100	45	30	8	3,3	M6
	16251332					32	10	3,3	M8		16251732					32	10	3,3	M8
	16251335					35	10	3,3	M8		16251735					35	10	3,3	M8
	16251338					38	10	3,3	M8		16251738					38	10	3,3	M8
	16251340					40	12	3,3	M10		16251740					40	12	3,3	M10
	16251342					42					16251742					42	12	3,3	M10
	16251345					45					16251745					45	14	3,8	M12
14	16251425	125,7	114,15	84	40	25	8	3,3	M6		16251748					48	14	3,8	M12
	16251428					28	8	3,3	M6		16251750					50	14	3,8	M12
	16251430					30	8	3,3	M6	18	16251830	157	146,28	100	45	30	8	3,3	M6
	16251432					32	10	3,3	M8		16251832					32	10	3,3	M8
	16251435					35	10	3,3	M8		16251835					35	10	3,3	M8
	16251438					38	10	3,3	M8		16251838					38	10	3,3	M8
	16251440					40	12	3,3	M10		16251840					40	12	3,3	M10
	16251442					42	12	3,3	M10		16251842					42	12	3,3	M10
	16251445					45	14	3,8	M12		16251845					45	14	3,8	M12
	16251448					48	14	3,8	M12		16251848					45	14	3,8	M12
	16251450					50	14	3,8	M12		16251850					50	14	3,8	M12
15	16251528	133,3	122,17	92	40	28	8	3,3	M6	19	16251930	165,5	154,33	100	45	30	8	3,3	M6
	16251530					30	8	3,3	M6		16251932					32	10	3,3	M8
	16251532					32	10	3,3	M8		16251935					35	10	3,3	M8
	16251535					35	10	3,3	M8		16251938					38	10	3,3	M8
	16251538					38	10	3,3	M8		16251940					40	12	3,3	M10
	16251540					40	12	3,3	M10		16251942					45	12	3,3	M10
	16251542					42	12	3,3	M10		16251945					45	14	3,8	M12
	16251545					45	14	3,8	M12		16251948					48	14	3,8	M12
	16251548					48	14	3,8	M12		16251950					50	14	3,8	M12
	16251550					50	14	3,8	M12										

MATERIAL C 45 UNI 7845

CAD drawings available on our site  
[www.chiaravalli.com](http://www.chiaravalli.com)

Quantity, availability and prices  
 on B2B Chiaravalli





# SIMPLE CHAIN SPROCKETS WITH HARDENED TEETH WITH HOLE + KEYWAY + SCREW HOLES

1" x 17.02 16B-1

## CHAIN SPROCKETS

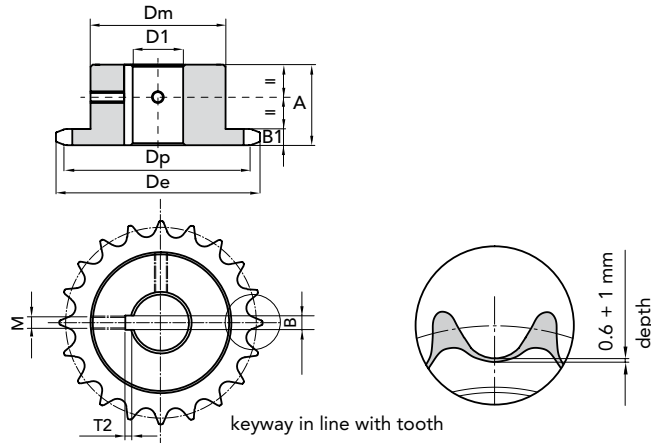
Sprockets tooth width  $B_1$  16,2 mm

## CHAIN

Pitch 25,4 mm  
 Inner width 17,02 mm  
 Roller  $\varnothing$  15,88 mm

## KEYWAY DIN 6885 UNI 6604

Hardened teeth HRC 45÷53



Z	P. NUMBER	$d_e$	$d_p$	$d_m$	A	$\varnothing D1$ H7	B H9	T2	M
20	16252030	173,2	162,38	100	45	30	8	3,3	M6
	16252032					32	10	3,3	M8
	16252035					35	10	3,3	M8
	16252038					38	10	3,3	M8
	16252040					40	12	3,3	M10
	16252042					42	12	3,3	M10
	16252045					45	14	3,8	M12
	16252048					48	14	3,8	M12
	16252050					50	14	3,8	M12
21	16252130	181,6	170,43	110	50	30	8	3,3	M6
	16252132					32	10	3,3	M8
	16252135					35	10	3,3	M8
	16252138					38	10	3,3	M8
	16252140					40	12	3,3	M10
	16252142					42	12	3,3	M10
	16252145					45	14	3,8	M12
	16252148					48	14	3,8	M12
	16252150					50	14	3,8	M12
23	16252330	198,1	186,1	110	50	30	8	3,3	M6
	16252332					32	10	3,3	M8
	16252335					35	10	3,3	M8
	16252338					38	10	3,3	M8
	16252340					40	12	3,3	M10
	16252342					42	12	3,3	M10
	16252345					45	14	3,8	M12
	16252348					48	14	3,8	M12
	16252350					50	14	3,8	M12
25	16252530	214,2	202,66	110	50	30	8	3,3	M6
	16252532					32	10	3,3	M8
	16252535					35	10	3,3	M8
	16252538					38	10	3,3	M8
	16252540					40	12	3,3	M10
	16252542					42	12	3,3	M10
	16252545					45	14	3,8	M12
	16252548					48	14	3,8	M12
	16252550					50	14	3,8	M12

MATERIAL C 45 UNI 7845

CAD drawings available on our site  
[www.chiaravalli.com](http://www.chiaravalli.com)

Quantity, availability and prices  
 on B2B Chiaravalli



SIMPLE CHAIN SPROCKETS 1"x17.02 16B-1 for roller chains in compliance with DIN 8187 - ISO/R 606

# TAPER LOCK® CHAIN SPROCKETS



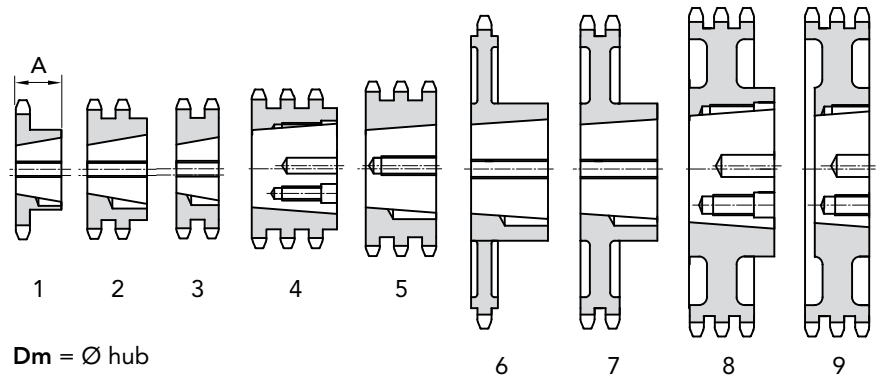
TAPER LOCK® CHAIN SPROCKETS

MATERIAL **STEEL**  
C 45 UNI 5007

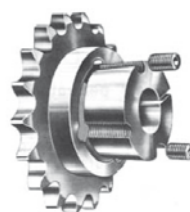
AVAILABLE ALSO  
WITH INDUCTION  
HARDENED TEETH

MATERIAL **IN CAST IRON**  
GG20 UNI 5007

Hardened teeth HRC 45÷53



PITCH	SIMPLES										DOUBLE						
	STEEL P. NUMBER	HARDENED P. NUMBER	COD. PITCH	Z	for taper	Exec. bush	Dm hub	A	Kg	P. NUMBER	COD. PITCH	Z	for taper	Exec. bush	Dm hub	A	Kg
3/8" 9,52 mm	17109017	18109017	031-17	17	1008	1	44,5	22	0,11	17209017	032-17	17	1008	2	42,5	22	0,11
	17109018	-	031-18	18	1008	1	43	22	0,14	17209018	032-18	18	1008	2	43	22	0,15
	17109019	18109019	031-19	19	1008	1	46	22	0,15	17209019	032-19	19	1008	2	46	22	0,18
	17109020	-	031-20	20	1008	1	46	22	0,16	17209020	032-20	20	1008	2	48	22	0,22
	17109021	18109022	031-21	21	1008	1	46	22	0,18	17209021	032-21	21	1008	2	49	22	0,16
	17109022	-	031-22	22	1108	1	50	22	0,25	17209022	032-22	22	1108	2	52	22	0,28
	17109023	18109023	031-23	23	1210	1	62	25	0,27	17209023	032-23	23	1210	2	58	25	0,27
	17109024	-	031-24	24	1210	1	62	25	0,30	17209024	032-24	24	1210	2	61	25	0,32
	17109025	18109025	031-25	25	1210	1	63	25	0,32	17209025	032-25	25	1210	2	64	25	0,37
	17109026	-	031-26	26	1210	1	60	25	0,33	17209026	032-26	26	1210	2	65	25	0,44
	17109027	18109027	031-27	27	1210	1	60	25	0,34	17209027	032-27	27	1210	2	65	25	0,50
	17109028	-	031-28	28	1210	1	60	25	0,37	17209028	032-28	28	1210	2	65	25	0,57
	17109030	18109030	031-30	30	1210	1	63	25	0,39	17209030	032-30	30	1210	2	65	25	0,68
	17109038	-	031-38	38	1210	1	73	25	0,65	17209038	032-38	38	1610	2	76	25	1,03
	17109045	-	031-45	45	1210	1	73	25	1,01	17209045	032-45	45	1610	2	89	25	1,08
	17109057	-	031-57	57	1210	6	83	25	1,34	17209057	032-57	57	1610	7	89	25	1,16
	17109076	-	031-76	76	1210	6	83	25	1,84	17209076	032-76	76	1610	7	89	25	2,19
	17109095	-	031-95	95	1210	6	83	25	2,30	17209095	032-95	95	1610	7	89	25	3,00
	17109114	-	031-114	114	1215	6	83	38	3,50	17209114	032-114	114	1615	7	89	38	5,00
1/2" 12,70 mm	17112015	18112015	041-15	15	1008	1	46	22	0,16	17212015	042-15	15	1008	2	46	22	0,22
	17112016	-	041-16	16	1108	1	50	22	0,20	17212016	042-16	16	1108	2	50	22	0,22
	17112017	18112017	041-17	17	1210	1	59,5	25	0,22	17212017	042-17	17	1210	2	56	25	0,23
	17112018	-	041-18	18	1210	1	60	25	0,27	17212018	042-18	18	1210	2	58	25	0,30
	17112019	18112019	041-19	19	1210	1	63	25	0,33	17212019	042-19	19	1210	2	64	25	0,38
	17112020	-	041-20	20	1610	1	71	25	0,36	17212020	042-20	20	1610	2	66	25	0,45
	17112021	18112021	041-21	21	1610	1	71	25	0,36	17212021	042-21	21	1610	2	71	25	0,50
	17112022	-	041-22	22	1610	1	70	25	0,36	17212022	042-22	22	1610	2	76	25	0,55
	17112023	18112023	041-23	23	1610	1	76	25	0,50	17212023	042-23	23	1610	2	79	25	0,62
	17112024	-	041-24	24	1610	1	70	25	0,53	17212024	042-24	24	2012	2	84	32	0,68
	17112025	18112025	041-25	25	1610	1	76	25	0,56	17212025	042-25	25	2012	2	87	32	0,72
	17112026	-	041-26	26	1610	1	70	32	0,60	17212026	042-26	26	2012	2	85	32	0,82
	17112027	18112027	041-27	27	1610	1	76	32	0,63	17212027	042-27	27	2012	2	87	32	0,92
	17112028	-	041-28	28	2012	1	90	32	0,87	17212028	042-28	28	2012	2	87	32	1,10
	17112030	18112030	041-30	30	2012	1	90	32	0,91	17212030	042-30	30	2012	2	87	32	1,24
	17112038	-	041-38	38	2012	1	102	32	1,25	17212038	042-38	38	2012	2	102	32	2,50
	17112045	-	041-45	45	2012	1	102	32	1,68	17212045	042-45	45	2012	2	111	32	3,05
	17112057	-	041-57	57	2012	6	111	32	2,78	17212057	042-57	57	2012	7	111	32	5,64
	17112076	-	041-76	76	2012	6	111	32	3,81	17212076	042-76	76	2012	7	111	32	5,69
17112095	-	041-95	95	2012	6	111	32	5,00	17212095	042-95	95	2012	7	111	32	5,10	
17112114	-	041-114	114	2517	6	124	45	6,50	17212114	042-114	114	2517	7	124	45	6,00	



CAD drawings available on our site  
[www.chiaravalli.com](http://www.chiaravalli.com)

Quantity, availability and prices  
on B2B Chiaravalli





# TAPER LOCK® CHAIN SPROCKETS



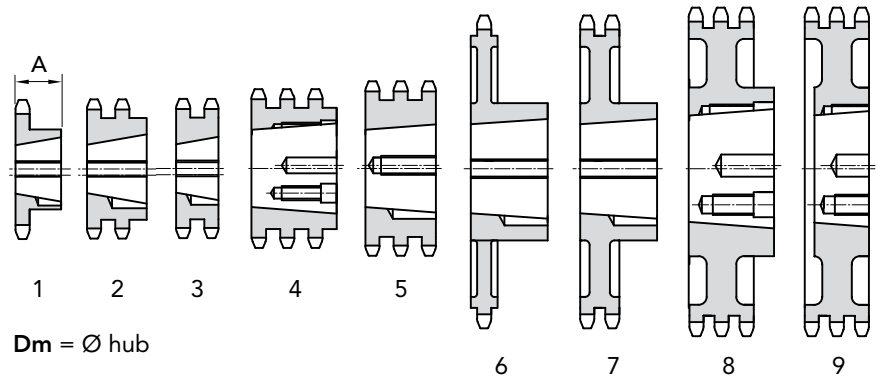
TAPER LOCK® CHAIN SPROCKETS

MATERIAL **STEEL**  
C 45 UNI 5007

AVAILABLE ALSO  
WITH INDUCTION  
HARDENED TEETH

MATERIAL **IN CAST IRON**  
GG20 UNI 5007

Hardened teeth HRC 45÷53



PITCH	SIMPLES										DOUBLE						
	P.NUMBER	P.NUMBER	COD.	Z	for	Exec.	Dm	A	Kg	P.NUMBER	COD.	Z	for	Exec.	Dm	A	Kg
25,40 mm	ACCIAIO	TEMPRATI	PITCH	taper	bush	Type	hub			PITCH	taper	bush	Type	hub			
	17125013	-	081-13	13	1610	1	78	25	0,98	17225013	081-13	13	1610	3	-	47,7	1,70
	17125014	-	081-14	14	1610	1	78	25	1,14	17225014	081-14	14	1610	3	-	47,7	1,90
	17125015	18125015	081-15	15	1610	1	78	25	1,30	17225015	082-15	15	2012	3	-	47,7	2,11
	17125016	-	081-16	16	2012	1	90	32	1,40	17225016	082-16	16	2517	3	-	47,7	2,25
	17125017	18125017	081-17	17	2012	1	90	32	1,59	17225017	082-17	17	2517	3	-	47,7	2,53
	17125018	-	081-18	18	2012	1	108	45	2,10	17225018	082-18	18	2517	3	-	47,7	3,10
	17125019	18125019	081-19	19	2517	1	108	45	2,29	17225019	082-19	19	2517	3	-	47,7	3,50
	17125020	-	081-20	20	2517	1	108	45	2,60	17225020	082-20	20	2517	3	-	47,7	4,10
	17125021	18125021	081-21	21	2517	1	108	45	2,81	17225021	082-21	21	3020	2	143	51	4,15
	17125022	-	081-22	22	2517	1	108	45	3,10	17225022	082-22	22	3020	2	150	51	4,90
	17125023	18125023	081-23	23	2517	1	108	45	3,38	17225023	082-23	23	3020	2	160	51	5,69
	17125024	-	081-24	24	2517	1	108	45	3,70	17225024	082-24	24	3020	2	166	51	6,00
	17125025	18125025	081-25	25	2517	1	108	45	3,97	17225025	082-25	25	3020	2	175	51	6,38
	17125026	-	081-26	26	2517	1	108	45	4,26	17225026	082-26	26	3020	2	175	51	7,80
	17125027	18125027	081-27	27	2517	1	108	45	4,55	17225027	082-27	27	3020	2	175	51	9,27
	17125028	-	081-28	28	2517	1	108	45	5,26	17225028	082-28	28	3020	2	175	51	11,4
	17125030	18125030	081-30	30	3020	1	160	51	5,97	17225030	082-30	30	3020	2	175	51	13,5
	17125038	-	081-38	38	3020	1	160	51	8,73	17225038	082-38	38	3030	7	146	51	14,54
	17125045	-	081-45	45	3020	1	160	51	12,49	17225045	082-45	45	3030	7	146	51	16,0
	17125057	-	081-57	57	3020	6	160	51	13,87	17225057	082-57	57	3525	7	198	65	25,0
	17125076	-	081-76	76	3020	6	160	51	22,63	17225076	082-76	76	3525	7	198	65	30,0
	17125095	-	081-95	95	3020	6	160	51	32,00	17225095	082-95	95	3525	7	216	65	37,0
	17125114	-	081-114	114	3030	6	150	76	50,00	17225114	082-114	114	4040	7	216	102	52,0
<b>1" 1/4</b>	17131015	18131015	081-15	15	2517	1	108	45	3,39								
<b>31,75 mm</b>	17131017	18131017	081-17	17	2517	1	108	45	5,07								
	17131019	18131019	081-19	19	2517	1	108	45	6,75								
	17131021	18131021	081-21	21	2517	1	108	45	7,70								
	17131023	18131023	081-23	23	2517	1	108	45	8,78								
	17131025	18131025	081-25	25	2517	1	108	45	9,50								
	17131030	18131030	081-30	30	3020	1	160	51	15,90								
	17131038	-	081-38	38	3020	6	160	51	15,80								



CAD drawings available on our site  
[www.chiaravalli.com](http://www.chiaravalli.com)

Quantity, availability and prices  
on B2B Chiaravalli

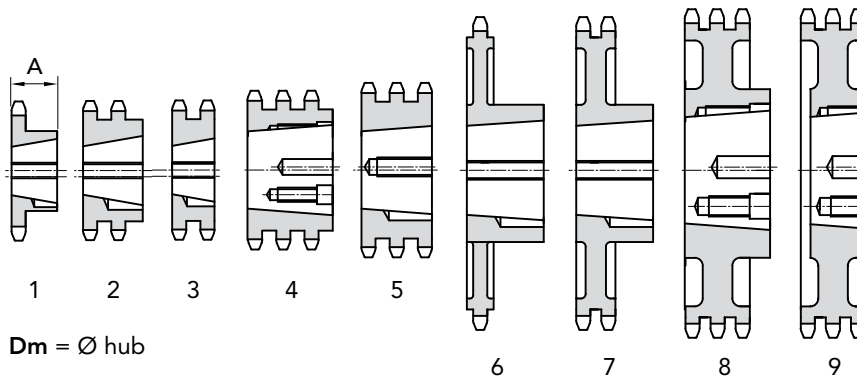


# TAPER LOCK® CHAIN SPROCKETS

MATERIAL **STEEL**  
C 45 UNI 5007

MATERIAL **IN CAST IRON**  
GG20 UNI 5007

Hardened teeth HRC 45÷53



### TRIPLE

PITCH	P.NUMBER	COD.	Z	for	Exec.	Dm	A	Kg
		PITCH	taper bush	Type	hub			
3/4" 19,05 mm	17319015	063-15	15	1615	5	-	49,8	1,11
	17319017	063-17	17	2012	5	-	49,8	1,75
	17319019	063-19	19	2012	5	-	49,8	2,02
	17319021	063-21	21	2517	5	-	49,8	2,49
	17319023	063-23	23	2517	5	-	49,8	3,00
	17319025	063-25	25	2517	5	-	49,8	3,98
	17319027	063-27	27	3020	4	140	51	3,90
	17319030	063-30	30	3020	4	140	51	5,64
	17319038	063-38	38	3020	4	140	51	11,58
	17319045	063-45	45	3020	4	159	51	12,11
	17319057	063-57	57	3020	5	159	51	13,23
	17319076	063-76	76	3020	5	159	51	16,00
	17319095	063-95	95	3030	8	165	76	21,00
	17319114	063-114	114	3030	8	165	76	27,00
1" 25,40 mm	17325017	063-17	17	2517	5	-	79,6	4,29
	17325019	063-19	19	3020	5	-	79,6	4,36
	17325021	063-21	21	3020	5	-	79,6	6,69
	17325023	063-23	23	3525	5	-	79,6	7,80
	17325025	063-25	25	3525	5	-	79,6	10,93
	17325027	063-27	27	3525	5	-	79,6	14,06
	17325030	063-30	30	3525	5	-	79,6	19,10
	17325038	063-38	38	3535	9	-	79,6	21,65
	17325045	063-45	45	4040	9	-	79,6	28,10
	17325057	063-57	57	4040	9	-	79,6	40,50
	17325076	063-76	76	4040	9	-	79,6	53,30
	17325095	063-95	95	4040	9	-	79,6	70,00
	17325114	063-114	114	4545	8	240	115	90,00



CAD drawings available on our site  
[www.chiaravalli.com](http://www.chiaravalli.com)

Quantity, availability and prices  
on B2B Chiaravalli



CHAIN SPROCKETS IN CAST IRON GG 20 UNI 5007 for roller chains in compliance with DIN 8187 ISO/R 606

## 3/8" x 7/32"

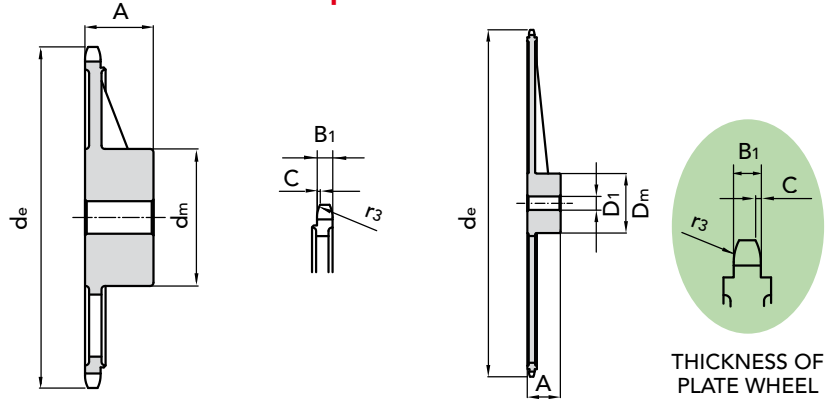
### CHAIN SPROCKETS

Tooth radius $r_3$	10	mm
Radius width $C$	1	mm
Sprockets tooth width $B_1$ (S)	5,3	mm
Sprockets tooth width $b_1$ (D-T)	5,2	mm
Sprockets tooth width $B_2$ (D)	15,4	mm
Sprockets tooth width $B_3$ (T)	25,6	mm

### CHAIN

Pitch	9,525	mm
Inner width	5,72	mm
Roller $\varnothing$	6,35	mm

for roller chains in compliance with DIN 8187 ISO/R 606



SIMPLES								DOUBLE				TRIPLE					
Z	de	dp	PART NUMBER	dm	D1	A	kg.	PART NUMBER	dm	D1	A	kg.	PART NUMBER	dm	D1	A	kg.
38	119,5	115,35	12109038	70	20	32	1,12	12209038	80	24	40	1,90	12309038	90	24	56	3,00
45	140,7	136,55	12109045	70	20	32	1,30	12209045	80	24	40	2,06	12309045	90	24	56	3,56
57	176,9	172,91	12109057	70	20	32	1,55	12209057	80	24	40	2,30	12309057	90	24	56	3,97
76	234,9	230,49	12109076	70	20	32	2,00	12209076	80	24	40	3,02	12309076	100	24	56	4,52
95	292,5	288,08	12109095	80	20	40	3,83	12209095	90	24	45	4,68	12309095	100	24	56	6,12
114	349,6	345,68	12109114	80	20	40	4,05	12209114	95	24	45	5,90	12309114	100	24	56	7,45
150	459,2	454,82	12109150	90	21	45	4,05	12209150	100	24	50	5,90	12309150	125	24	60	9,00

## 1/2" x 5/16"

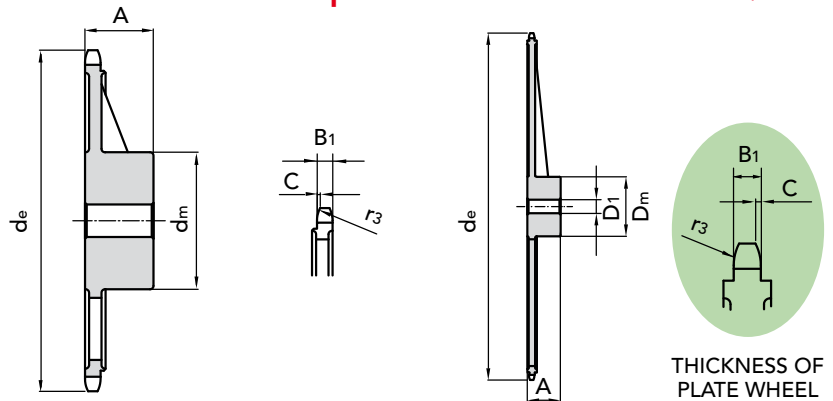
### CHAIN SPROCKETS

Tooth radius $r_3$	13	mm
Radius width $C$	1,3	mm
Sprockets tooth width $B_1$ (S)	7,2	mm
Sprockets tooth width $b_1$ (D-T)	7	mm
Sprockets tooth width $B_2$ (D)	21	mm
Sprockets tooth width $B_3$ (T)	34,9	mm

### CHAIN

Pitch	12,7	mm
Inner width	7,75	mm
Roller $\varnothing$	8,51	mm

for roller chains in compliance with DIN 8187 ISO/R 606



SIMPLES								DOUBLE				TRIPLE					
Z	de	dp	PART NUMBER	dm	D1	A	kg.	PART NUMBER	dm	D1	A	kg.	PART NUMBER	dm	D1	A	kg.
38	158,6	153,8	12112038	70	20	40	1,56	12212038	90	24	50	3,15	12312038	100	24	60	4,45
45	188,0	182,0	12112045	70	20	40	1,95	12212045	90	24	50	3,56	12312045	100	24	60	5,85
57	236,4	230,54	12112057	70	20	40	2,46	12212057	90	24	50	4,00	12312057	100	24	60	6,28
76	313,3	307,33	12112076	80	24	40	4,20	12212076	100	24	56	6,35	12312076	100	24	60	8,60
95	390,1	384,11	12112095	80	24	45	5,45	12212095	100	24	56	8,00	12312095	120	24	67	11,9
114	466,9	460,9	12112114	80	24	45	8,35	12212114	100	24	63	11,9	12312114	120	24	67	15,0

We do not manufacture SPROCKETS in cast iron version ASA

SIMPLE CHAIN SPROCKETS WITH DOUBLE REINFORCE

CAD drawings available on our site [www.chiaravalli.com](http://www.chiaravalli.com)

Quantity, availability and prices on B2B Chiaravalli





## 5/8" x 3/8"

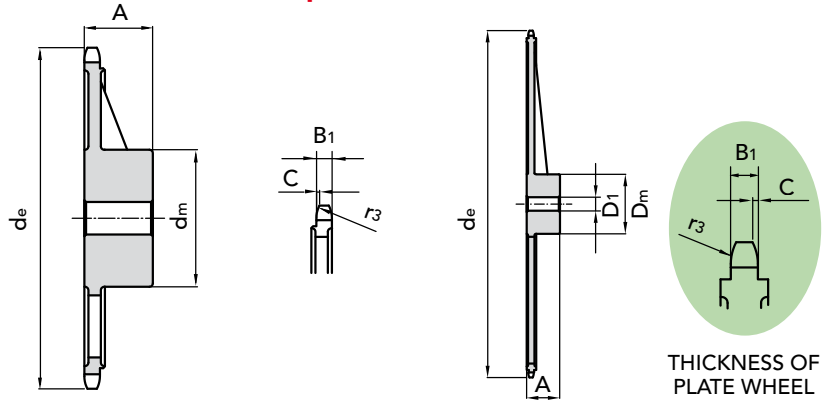
for roller chains in compliance with DIN 8187 ISO/R 606

### CHAIN SPROCKETS

Tooth radius $r_3$	16	mm
Radius width $C$	1,6	mm
Sprockets tooth width $B_1$ (S)	9,1	mm
Sprockets tooth width $b_1$ (D-T)	9	mm
Sprockets tooth width $B_2$ (D)	25,5	mm
Sprockets tooth width $B_3$ (T)	42,1	mm

### CHAIN

Pitch	15,875	mm
Inner width	9,65	mm
Roller $\varnothing$	10,16	mm



### SIMPLES

### DOUBLE

### TRIPLE

Z	d <sub>e</sub>	d <sub>p</sub>	PART NUMBER	d <sub>m</sub>	D <sub>1</sub>	A	kg.	PART NUMBER	d <sub>m</sub>	D <sub>1</sub>	A	kg.	PART NUMBER	d <sub>m</sub>	D <sub>1</sub>	A	kg.
38	199,2	192,24	12115038	80	20	40	2,32	12215038	100	30	50	4,56	12315038	100	32	60	6,50
45	235	227,58	12115045	80	20	40	2,88	12215045	100	30	50	4,93	12315045	100	32	60	7,04
57	296	288,18	12115057	90	24	45	4,30	12215057	100	30	56	6,50	12315057	100	32	63	8,00
76	392,1	384,16	12115076	90	24	50	7,00	12215076	100	30	63	9,10	12315076	110	35	67	12,0
95	488,5	480,14	12115095	100	24	56	10,65	12215095	110	30	63	12,6	12315095	125	35	70	19,4
114	584,1	576,13	12115114	100	24	56	14,50	12215114	125	30	70	17,8	12315114	125	35	80	24,0

## 3/4" x 7/16"

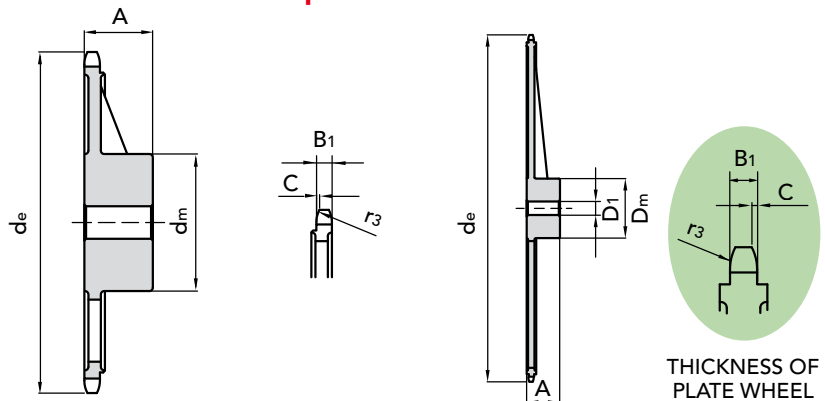
for roller chains in compliance with DIN 8187 ISO/R 606

### CHAIN SPROCKETS

Tooth radius $r_3$	19	mm
Radius width $C$	2	mm
Sprockets tooth width $B_1$ (S)	11,1	mm
Sprockets tooth width $b_1$ (D-T)	10,8	mm
Sprockets tooth width $B_2$ (D)	30,3	mm
Sprockets tooth width $B_3$ (T)	49,8	mm

### CHAIN

Pitch	19,05	mm
Inner width	11,68	mm
Roller $\varnothing$	12,07	mm



### SIMPLES

### DOUBLE

### TRIPLE

Z	d <sub>e</sub>	d <sub>p</sub>	PART NUMBER	d <sub>m</sub>	D <sub>1</sub>	A	kg.	PART NUMBER	d <sub>m</sub>	D <sub>1</sub>	A	kg.	PART NUMBER	d <sub>m</sub>	D <sub>1</sub>	A	kg.
38	239	230,69	12119038	100	24	56	4,75	12219038	110	24	63	7,50	12319038	140	31	70	10,00
45	282,5	273,1	12119045	100	24	56	5,90	12219045	110	24	63	8,30	12319045	140	31	70	13,30
57	354	345,81	12119057	100	30	56	6,45	12219057	120	30	63	10,3	12319057	140	39	70	15,25
76	469,9	460,99	12119076	100	30	56	12,30	12219076	135	30	63	15,2	12319076	160	39	75	27,20
95	585,1	576,17	12119095	100	30	56	15,40	12219095	135	30	70	21,2	12319095	170	39	82	36,40
114	700,6	691,36	12119114	100	30	56	24,80	12219114	135	30	70	30,4	12319114	170	49	82	41,10

We do not manufacture SPROCKETS in cast iron version ASA

SIMPLE CHAIN SPROCKETS WITH DOUBLE REINFORCE

CAD drawings available on our site [www.chiaravalli.com](http://www.chiaravalli.com)

Quantity, availability and prices on B2B Chiaravalli



CHAIN SPROCKETS IN CAST IRON GG 20 UNI 5007 for roller chains in compliance with DIN 8187 ISO/R 606



# CHAIN SPROCKETS IN CAST IRON GG 20 UNI 5007



CHAIN SPROCKETS IN CAST IRON GG 20 UNI 5007 for roller chains in compliance with DIN 8187 ISO/R 606

## 1" x 17.02 mm

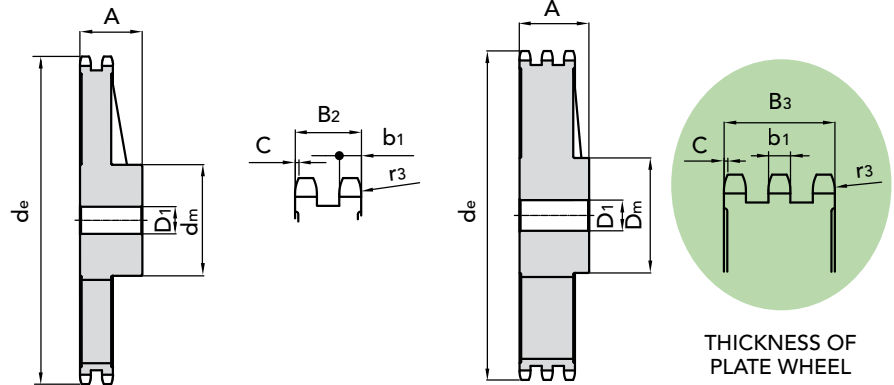
### CHAIN SPROCKETS

Tooth radius $r_3$	26	mm
Radius width $C$	2,5	mm
Sprockets tooth width $B_1$	16,2	mm
Sprockets tooth width $b_1$	15,8	mm
Sprockets tooth width $B_2$	47,7	mm
Sprockets tooth width $B_3$	79,6	mm

### CHAIN

Pitch	25,4	mm
Inner width	17,02	mm
Roller $\varnothing$	5,88	mm

for roller chains in compliance with DIN 8187 ISO/R 606



				SIMPLES				DOUBLE				TRIPLE					
Z	de	dp	PART NUMBER	dm	D1	A	kg.	PART NUMBER	dm	D1	A	kg.	PART NUMBER	dm	D1	A	kg.
30	254	243	12125030	110	29	65	7,00	12225030	125	39	75	13,30	12325030	145	39	90	20,00
38	320	307,59	12125038	110	29	65	8,26	12225038	140	39	75	16,45	12325038	160	44	100	25,40
45	377	364,13	12125045	125	29	70	10,75	12225045	150	39	75	19,20	12325045	160	44	100	33,60
57	474	461,08	12125057	125	34	70	12,90	12225057	170	39	90	29,50	12325057	165	44	100	44,70
76	627	614,65	12125076	140	34	80	24,70	12225076	175	39	95	46,30	12325076	200	44	110	63,10
95	781	768,22	12125095	140	39	80	32,00	12225095	175	44	95	53,00	12325095	200	49	110	77,00
114	933	921,81	12125114	150	39	80	45,50	12225114	175	44	95	74,00	12325114	200	49	115	97,00

## 1" 1/4 x 3/4"

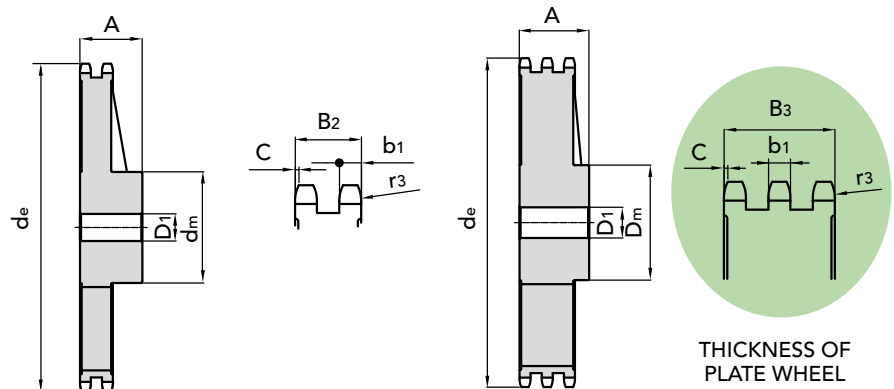
### CHAIN SPROCKETS

Tooth radius $r_3$	32	mm
Radius width $C$	3,5	mm
Sprockets tooth width $B_1$	18,5	mm
Sprockets tooth width $b_1$	18,2	mm
Sprockets tooth width $B_2$	54,6	mm
Sprockets tooth width $B_3$	91	mm

### CHAIN

Pitch	31,75	mm
Inner width	19,56	mm
Roller $\varnothing$	19,05	mm

for roller chains in compliance with DIN 8187 ISO/R 606



				SIMPLES				DOUBLE				TRIPLE					
Z	de	dp	PART NUMBER	dm	D1	A	kg.	PART NUMBER	dm	D1	A	kg.	PART NUMBER	dm	D1	A	kg.
30	318,9	303,75	12131030	115	34	70	8,50	12231030	130	39	80	22,00					
38	399,6	384,49	12131038	125	34	70	12,30	12231038	140	44	90	24,80	12331038	170	55	110	52,00
45	470,3	455,17	12131045	125	34	70	18,00	12231045	140	44	90	32,00					
57	591,5	576,36	12131057	135	39	80	25,60	12231057	160	49	100	43,00	12331057	180	62	125	71,50
76	783,5	768,32	12131076	140	49	90	29,10	12231076	180	55	100	62,50					

We do not manufacture SPROCKETS in cast iron version ASA

SIMPLE CHAIN SPROCKETS WITH DOUBLE REINFORCE

CAD drawings available on our site [www.chiaravalli.com](http://www.chiaravalli.com)

Quantity, availability and prices on B2B Chiaravalli





1" 1/2 x 1"

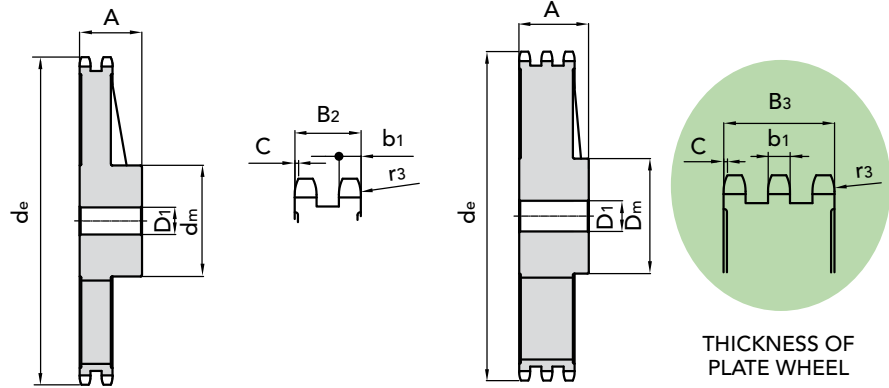
### CHAIN SPROCKETS

Tooth radius $r_3$	38	mm
Radius width $C$	4	mm
Sprockets tooth width $B_1$	24,1	mm
Sprockets tooth width $b_1$	23,6	mm
Sprockets tooth width $B_2$	72	mm
Sprockets tooth width $B_3$	120,3	mm

### CHAIN

Pitch	38,1	mm
Inner width	25,4	mm
Roller $\varnothing$	25,4	mm

for roller chains in compliance with DIN 8187 ISO/R 606



### SIMPLES

### DOUBLE

### TRIPLE

Z	$d_e$	$d_p$	PART NUMBER	$d_m$	$D_1$	A	kg.	PART NUMBER	$d_m$	$D_1$	A	kg.	PART NUMBER	$d_m$	$D_1$	A	kg.	
30	379,5	364,5	12138030	130	39	85	18,50											
38	476,2	461,39	12138038	140	44	90	21,80	12238038	180	44	100	42,20	12338038	200	62	150	42,50	
45	561,2	546,2	12138045	140	44	90	30,00											
57	706,5	691,63	12138057	160	44	100	46,20	12238057	200	54	110	72,70	12338057	200	62	150	119,40	
76	936,9	921,98	12138076	170	44	100	63,60	12238076	220	54	120	125,00	12338076	250	69	150	150,00	

We do not manufacture SPROCKETS in cast iron version ASA

CAD drawings available on our site [www.chiaravalli.com](http://www.chiaravalli.com)

Quantity, availability and prices on B2B Chiaravalli



CHAIN SPROCKETS IN CAST IRON GG 20 UNI 5007 for roller chains in compliance with DIN 8187 ISO/R 606

# CHAIN SPROCKETS FOR CONVEYORS AND ELEVATORS



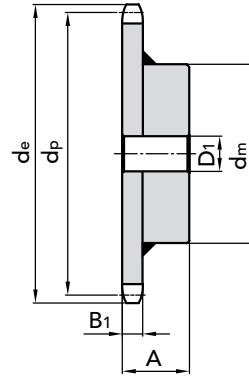
## CHAIN SPROCKETS P50 R 25 - 31

### CHAIN

Pitch	50	mm
Inner width	11,5	mm
Roller Ø	25	mm
Plate thickness B <sub>1</sub>	10,5	mm

### CHAIN

Pitch	50	mm
Inner width	15	mm
Roller Ø	31	mm
Plate thickness B <sub>1</sub>	13,8	mm



### CHAIN SPROCKETS P50

### ROLLER 25

### ROLLER 31

Z	d <sub>e</sub>	d <sub>p</sub>	PART NUMBER	D <sub>1</sub>	d <sub>m</sub>	A	kg.	PART NUMBER	d <sub>e</sub>	d <sub>p</sub>	D <sub>1</sub>	d <sub>m</sub>	A	kg.
6	115,0	100,0	14502506	20	60	40,5	1,11	14503106	116,2	100	20	60	43,8	1,18
7	132,7	115,24	14502507	20	60	40,5	1,37	14503107	133,8	115,24	20	60	43,8	1,44
8	148,1	130,6	14502508	20	60	40,5	1,55	14503108	152,3	130,6	20	60	43,8	1,72
9	163,7	146,2	14502509	20	60	40,5	1,89	14503109	167,9	146,2	20	60	43,8	2,05
10	179,3	161,85	14502510	25	90	43,3	3,10	14503110	183,5	161,85	25	90	46,6	4,40
11	195,0	177,5	14502511	25	90	43,3	3,44	14503111	199,2	177,5	25	90	46,6	3,80
12	211,0	193,2	14502512	25	90	43,3	4,79	14503112	212,0	193,2	25	90	46,6	4,30
13	226,4	208,95	14502513	30	90	43,3	4,17	14503113	230,6	208,95	30	90	46,6	4,78
14	242,2	224,7	14502514	30	90	43,3	4,63	14503114	246,4	224,7	30	90	46,6	5,37
15	257,9	240,45	14502515	30	90	43,3	5,09	14503115	262,1	240,45	30	90	46,6	5,98
16	273,8	456,3	14502516	30	110	55,4	8,26	14503116	278,0	256,3	30	110	58,7	9,05
17	289,5	272,05	14502517	30	110	55,4	9,10							
18	305,4	287,95	14502518	30	110	55,4	9,26	14503118	309,6	287,95	30	110	58,7	10,30
19								14503119	325,5	303,8	30	110	58,7	11,10
20	337,1	319,6	14502520	30	110	55,4	10,42	14503120	341,3	319,6	30	110	58,7	11,90
21	352,9	335,45	14502521	30	110	55,4	11,71							
22								14503122	373,0	351,35	30	110	58,7	13,54
23								14503123	388,9	367,2	30	110	58,7	14,38
24	400,0	383,05	14502524	30	110	55,4	13,00	14503124	404,7	383,05	30	110	58,7	15,35
25	416,4	398,95	14502525	30	110	55,4	13,98	14503125	419,7	398,95	30	110	58,7	16,40
26	432,3	414,8	14502526	30	133	61,1	15,20	14503126	436,5	414,8	30	133	64,4	18,81
27	448,2	430,7	14502527	30	133	61,1	17,03	14503127	452,4	430,7	30	133	64,4	19,00
28	464,0	446,55	14502528	30	133	61,1	18,62	14503128	468,2	446,55	30	133	64,4	21,00
30	495,8	478,35	14502530	30	133	61,1	20,29							
32								14503132	531,8	510,1	30	133	64,4	25,93
35								14503135	579,5	557,8	30	133	64,4	28,40
38	622,9	605,45	14502538	30	133	61,1	26,97	14503138	622	605,45	30	133	64,4	32,10

ALL THE CHAIN SPROCKETS FOR TRANSPORTERS AND ELEVATORS ARE REALIZED WITH WELDED HUB.

CAD drawings available on our site  
[www.chiaravalli.com](http://www.chiaravalli.com)

Quantity, availability and prices  
 on B2B Chiaravalli



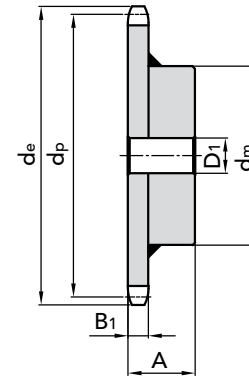
## CHAIN SPROCKETS P75 R 31

### CHAIN

Pitch	75	mm
Inner width	15	mm
Roller Ø	31	mm
Plate thickness B <sub>1</sub>	13,8	mm

## CHAIN SPROCKETS P75 ROLLER 31

Z	d <sub>e</sub>	d <sub>p</sub>	PART NUMBER	D <sub>1</sub>	d <sub>m</sub>	A	kg.
8	217,6	195,98	14753108	30	90	46,6	4,52
9	241	219,3	14753109	30	90	46,6	5,36
10	264,4	242,77	14753110	30	110	58,7	8,70
11	287,9	266,25	14753111	30	110	58,7	9,60
12	311,5	289,8	14753112	30	110	58,7	10,73
13	334,1	313,42	14753113	30	110	58,7	11,83
14	358,7	337,05	14753114	30	110	58,7	11,83
15	382,3	360,67	14753115	30	110	58,7	14,45
16	406,1	384,45	14753116	30	133	64,4	17,43
17	429,7	408,07	14753117	30	133	64,4	17,43
21	524,8	503,17	14753121	30	133	64,4	26,07
25	620,1	598,42	14753125	30	133	64,4	26,07



## CHAIN SPROCKETS P100 R 31 - 40

### CHAIN

Pitch	100	mm
Inner width	15	mm
Roller Ø	31	mm
Plate thickness B <sub>1</sub>	13,8	mm

### CHAIN

Pitch	100	mm
Inner width	22	mm
Roller Ø	40	mm
Plate thickness B <sub>1</sub>	20	mm

ALL THE CHAIN SPROCKETS FOR TRANSPORTERS AND ELEVATORS ARE REALIZED WITH WELDED HUB.

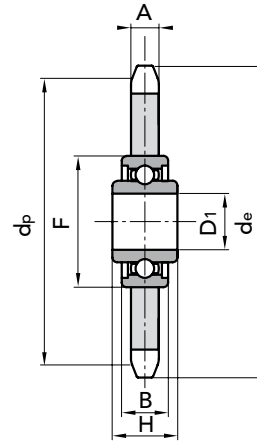
## CHAIN SPROCKETS P100 ROLLER 31

## ROLLER 40

Z	d <sub>e</sub>	d <sub>p</sub>	PART NUMBER	D <sub>1</sub>	d <sub>m</sub>	A	kg.	PART NUMBER	d <sub>e</sub>	d <sub>p</sub>	D <sub>1</sub>	d <sub>m</sub>	A	kg.
8	282,9	261,31	14993108	30	110	58,7	9,67	14994008	283	261,31	30	110	65	11,97
9	314,1	292,4	14993109	30	110	58,7	10,95	14994009	314	292,4	30	110	65	14,04
10	345,4	323,61	14993110	30	110	58,7	12,63	14994010	345	323,61	30	110	65	16,35
11	376,7	354,95	14993111	30	110	58,7	12,14	14994011	378	354,95	30	110	65	18,82
12	408,1	386,4	14993112	30	110	58,7	16,51	14994012	409	386,4	30	110	65	21,58
13	439,6	417,9	14993113	30	110	58,7	18,51							
14								14994014	473	449,4	30	110	65	28,14
15														
16	534,3	512,6	14993116	30	133	64,4	27,16	14994016	536	512,6	30	133	70,6	33,87
17	565,8	544,1	14993117	30	133	64,4	30,01							
18	597,6	575,9	14993118	30	133	64,4	51,20							
19														
20								14994020	663	639,2	30	133	70,6	48,50


**WITH BEARING**
**INA KRR-AH02-C5**

Our chain tensioning sprockets are supplied complete with bearing, ready for assembly in special tension or transmission points. The accurate machining and stable assembly on a dual protective shield ball bearing ensure greater resistance to loads and wear. The central elongated ring of the bearing facilitates assembly on special machines of every type.



Z	PITCH	d <sub>e</sub>	d <sub>p</sub>	PART NUMBER	A	D1	F	B	H	kg.
23	8 x 3	62,15	58,75	30008123	2,8	16 <sup>+0,26 +0,13</sup>	40	12	18,3	0,13
21	3/8" x 7/32"	68,00	63,90	30009121	5,3	16 <sup>+0,26 +0,13</sup>	40	12	18,3	0,15
18	1/2" x 1/8"	78,90	73,14	30010118	3,0	16 <sup>+0,26 +0,13</sup>	40	12	18,3	0,18
18	1/2" x 3/16"	78,90	73,13	30011118	4,5	16 <sup>+0,26 +0,13</sup>	40	12	18,3	0,20
16	1/2" x 5/16"	69,50	65,10	30012116	7,2	16 <sup>+0,26 +0,13</sup>	40	12	18,3	0,17
18	1/2" x 5/16"	77,80	73,14	30012118	7,2	16 <sup>+0,26 +0,13</sup>	40	12	18,3	0,22
14	5/8" x 3/8"	78,00	71,34	30015114	9,1	16 <sup>+0,26 +0,13</sup>	40	12	18,3	0,23
15	5/8" x 3/8"	83,00	76,36	30015115	9,1	16 <sup>+0,26 +0,13</sup>	40	12	18,3	0,27
17	5/8" x 3/8"	93,00	86,39	30015117	9,1	16 <sup>+0,26 +0,13</sup>	40	12	18,3	0,36
13	3/4" x 7/16"	87,50	79,59	30019113	11,1	16 <sup>+0,26 +0,13</sup>	40	12	18,3	0,34
15	3/4" x 7/16"	99,80	91,63	30019115	11,1	16 <sup>+0,26 +0,13</sup>	40	12	18,3	0,47
12	1" x 17.02	109,00	98,14	30025112	16,2	20 <sup>+0 +0,1</sup>	47	14	17,7	0,72
13	1"1/4 x 3/4"	147,80	132,65	30031113	18,5	25 <sup>+0 +0,1</sup>	52	15	21,0	1,64

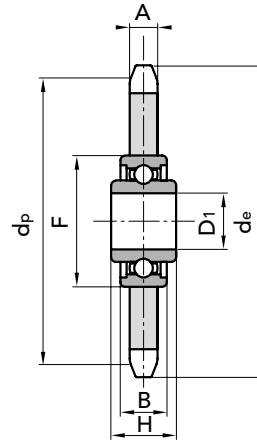






## WITH ECONOMIC BEARING

Our chain tensioning sprockets are supplied complete with bearing, ready for assembly in special tension or transmission points. The accurate machining and stable assembly on a dual protective shield ball bearing ensure greater resistance to loads and wear. The central elongated ring of the bearing facilitates assembly on special machines of every type.



Z	PITCH	d <sub>e</sub>	d <sub>p</sub>	PART NUMBER	A	D1	F	B	H	kg.
23	8 x 3	62,15	58,75	30008023	2,8	16 $\begin{smallmatrix} +0,26 \\ +0,13 \end{smallmatrix}$	40	12	18,3	0,13
21	3/8" x 7/32"	68,00	63,90	30009021	5,3	16 $\begin{smallmatrix} +0,26 \\ +0,13 \end{smallmatrix}$	40	12	18,3	0,15
22	3/8" x 7/32"	71,00	66,93	30009022	5,3	16 $\begin{smallmatrix} +0,26 \\ +0,13 \end{smallmatrix}$	40	12	18,3	0,16
18	1/2" x 1/8"	78,90	73,14	30010018	3,0	16 $\begin{smallmatrix} +0,26 \\ +0,13 \end{smallmatrix}$	40	12	18,3	0,18
15	1/2" x 3/16"	66,80	61,09	30011015	4,5	16 $\begin{smallmatrix} +0,26 \\ +0,13 \end{smallmatrix}$	40	12	18,3	0,16
16	1/2" x 3/16"	70,90	65,10	30011016	4,5	16 $\begin{smallmatrix} +0,26 \\ +0,13 \end{smallmatrix}$	40	12	18,3	0,17
18	1/2" x 3/16"	78,90	73,13	30011018	4,5	16 $\begin{smallmatrix} +0,26 \\ +0,13 \end{smallmatrix}$	40	12	18,3	0,20
14	1/2" x 5/16"	61,80	57,07	30012014	7,2	16 $\begin{smallmatrix} +0,26 \\ +0,13 \end{smallmatrix}$	40	12	18,3	0,13
16	1/2" x 5/16"	69,50	65,10	30012016	7,2	16 $\begin{smallmatrix} +0,26 \\ +0,13 \end{smallmatrix}$	40	12	18,3	0,17
18	1/2" x 5/16"	77,80	73,14	30012018	7,2	16 $\begin{smallmatrix} +0,26 \\ +0,13 \end{smallmatrix}$	40	12	18,3	0,22
14	5/8" x 3/8"	78,00	71,34	30015014	9,1	16 $\begin{smallmatrix} +0,26 \\ +0,13 \end{smallmatrix}$	40	12	18,3	0,23
15	5/8" x 3/8"	83,00	76,36	30015015	9,1	16 $\begin{smallmatrix} +0,26 \\ +0,13 \end{smallmatrix}$	40	12	18,3	0,27
17	5/8" x 3/8"	93,00	86,39	30015017	9,1	16 $\begin{smallmatrix} +0,26 \\ +0,13 \end{smallmatrix}$	40	12	18,3	0,36
13	3/4" x 7/16"	87,50	79,59	30019013	11,1	16 $\begin{smallmatrix} +0,26 \\ +0,13 \end{smallmatrix}$	40	12	18,3	0,34
15	3/4" x 7/16"	99,80	91,63	30019015	11,1	16 $\begin{smallmatrix} +0,26 \\ +0,13 \end{smallmatrix}$	40	12	18,3	0,47
12	1" x 17.02	109,00	98,14	30025012	16,2	20 $\begin{smallmatrix} +0 \\ +0,1 \end{smallmatrix}$	47	14	17,7	0,72
13	1"1/4 x 3/4"	147,80	132,65	30031013	18,5	25 $\begin{smallmatrix} +0 \\ +0,1 \end{smallmatrix}$	52	15	21,0	1,64

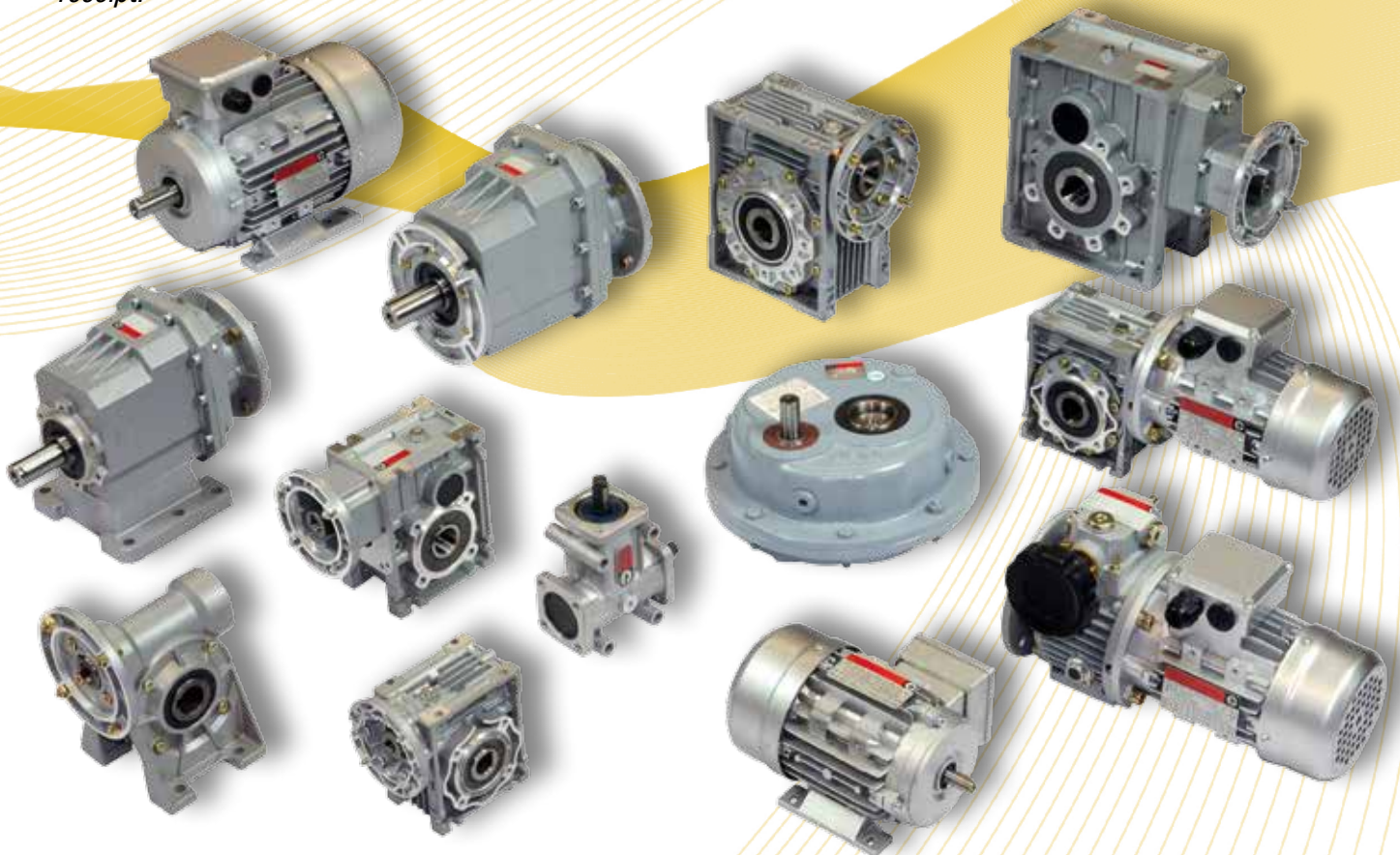




# ELECTRICAL MOTORS AND GEARBOXES

*A large range of motors and gearboxes developed by Chiaravalli Group SpA and managed by our Logistics in Cavaria con Premezzo (Cantalupa).*

*We are able to supply and send any item to catalogue, in over 52 countries, with a minimum lead-time from order receipt.*





## CORONE

CORONE <b>ISO</b>	pag. 4
CORONE <b>ASA</b>	30
CORONE <b>DOPPIE</b> PER DUE CATENE SEMPLICI	39
CORONE PER TRASPORTATORI ED ELEVATORI	43

## RUOTE PER CATENA A CERNIERA

RUOTE PER CATENA A CERNIERA	47
--------------------------------	----

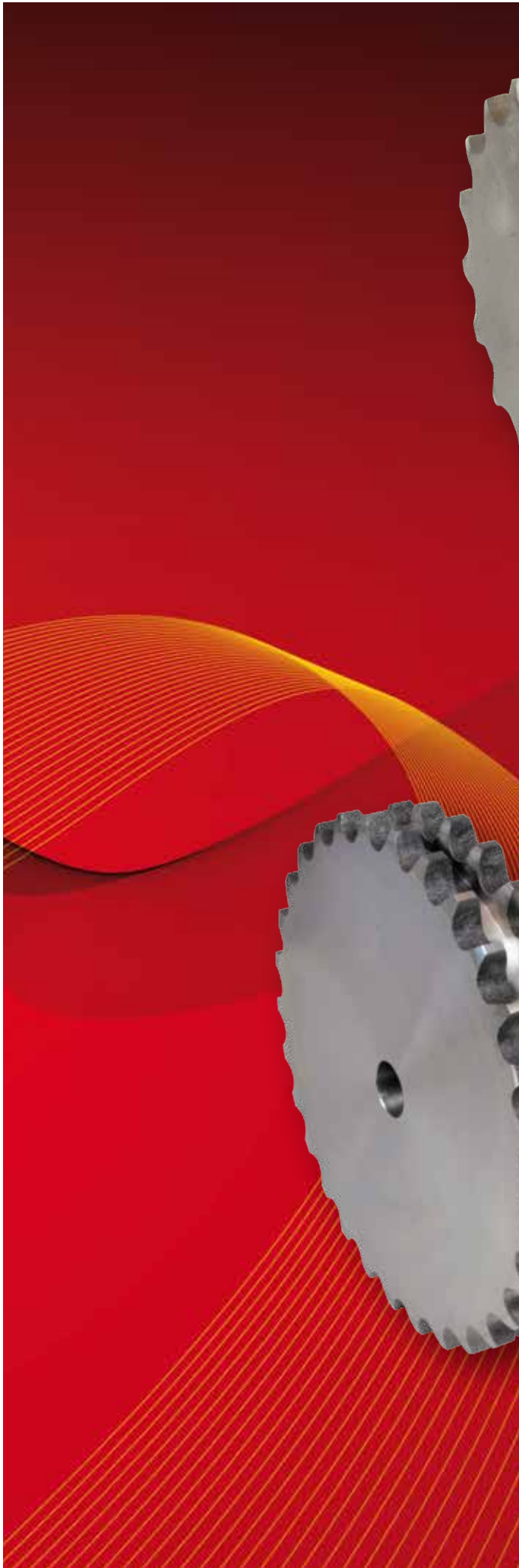
## MOZZI e ADATTATORI

MOZZI <b>SALDABILI</b>	51
MOZZI <b>SALDABILI</b> PER BUSSOLA TL	52
MOZZI <b>SMONTABILI</b> PER BUSSOLA CONICA TL	53
MOZZI <b>SMONTABILI</b> PER CORONE	54
<b>ADATTATORI</b> PER BUSSOLE CONICHE TP	55





CORONE





L'assortimento di pignoni e corone per catene da noi prodotti, costituisce una risposta globale alle esigenze dell'industria nel settore delle trasmissioni meccaniche flessibili e rappresenta il risultato di una produzione finalizzata al conseguimento di eccellenti prestazioni tecniche e qualitative.

Il nostro programma di produzione comprende in pratica pignoni e corone per catene realizzati in conformità ai principali e più recenti Standard ed alle Norme di Unificazione Internazionali UNI, ISO, DIN, ANSI ecc.

Le norme tuttavia definiscono per il vano delle ruote per catene e rulli, un profilo con dimensioni minime ed un profilo con dimensioni massime, entro gli stessi deve risultare compreso il profilo reale.

Essendo piuttosto ampi i limiti di tolleranza che le norme lasciano alla discrezione del costruttore, si ravvisa la possibilità di scegliere un criterio di proporzionamento del profilo che possa risultare ottimizzato per quanto concerne la regolarità di trasmissione e la capacità del dente di sopportare sforzi più elevati.

Ciò ha condotto allo sviluppo sistematico di un insieme di profili unificati e geometricamente riproducibili con notevole fedeltà da utensili espressamente progettati al Computer ed il cui profilo di riferimento è protetto da know-how aziendale.

Elemento di pregio di questo profilo ottimizzato, caratteristica esclusiva della ditta CHIARAVALLI GROUP SpA, è quello di migliorare l'avvolgimento "poligonale" della catena sul pignone e sulla corona riducendone la discontinuità di moto che ne consegue anche nel caso di interassi e rapporti di trasmissione sfavorevoli.

Ciò ci ha consentito di inserire a catalogo e di realizzare pignoni con bassissimo numero di denti.

Anche se il complesso corone dentata-catena costituisce un organo di trasmissione piuttosto "rude" il rispetto di una buona precisione con errori di lavorazione contenuti non guasta, e ciò è assicurato dall'uso sistematico di macchine operatrici a Controllo Numerico e di tecnologie sviluppate per minimizzare lo sforzo e per migliorare il grado di finitura superficiale.

I pignoni e le corone per catene a catalogo, vengono prodotti anche nella versione con calettatore a bussola conica sistema "Taper-Lock" particolarmente apprezzato nelle applicazioni che richiedono facilità di montaggio ed elevate precisioni di centratura.

Completano il nostro programma di vendita, catene a rulli semplici e multiple e catene speciali adatte ad ogni applicazione industriale.

Siamo altresì in grado di realizzare pignoni e corone per catene in esecuzione specifica, a disegno, in qualunque materiale e con trattamenti termici di tempra ad induzione e di cementazione e tempra su ruote e pignoni in acciaio.



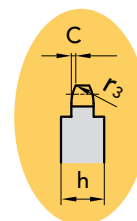
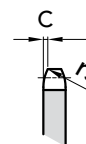
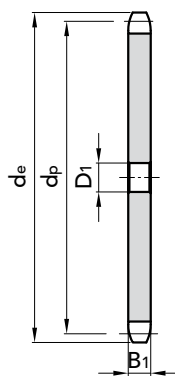

**CORONE 5 x 2.5 mm** per catene a rulli secondo DIN 8187 - ISO/R 606

**5 x 2.5 mm**
**CORONA**

Raggio dente $r_3$	5	mm
Larghezza raggio C	0,6	mm
Larghezza dente corona $B_1$	2,3	mm

**CATENA**

Passo	5	mm
Larghezza interna	2,5	mm
Rullo $\varnothing$	3,2	mm


**SEMPLICI**

Z	D <sub>1</sub>	d <sub>e</sub>	d <sub>p</sub>	CODICE	kg.	Z	D <sub>1</sub>	d <sub>e</sub>	d <sub>p</sub>	CODICE	kg.
8	4	15,2	13,06	20105008	0,01	52	10	85,0	82,81	20105052	0,17
9	4	16,8	14,62	20105009	0,01	55	10	89,7	87,58	20105055	0,18
10	4	18,3	16,18	20105010	0,01	56	10	91,3	89,17	20105056	0,19
11	5	19,9	17,75	20105011	0,01	57	10	92,9	90,76	20105057	0,20
12	5	21,5	19,32	20105012	0,01	58	10	94,5	92,35	20105058	0,20
13	5	23,0	20,89	20105013	0,01	59	10	96,1	93,94	20105059	0,21
14	5	24,6	22,47	20105014	0,01	60	10	97,7	95,53	20105060	0,23
15	5	26,2	24,04	20105015	0,01	62	12	100,9	98,72	20105062	0,24
16	6	27,8	25,63	20105016	0,01	64	12	104,1	101,90	20105064	0,27
17	6	29,4	27,20	20105017	0,01	65	12	105,6	103,49	20105065	0,28
18	6	30,9	28,79	20105018	0,01	66	12	107,2	105,08	20105066	0,31
19	6	32,5	30,38	20105019	0,01	70	12	113,6	111,44	20105070	0,36
20	6	34,1	31,96	20105020	0,01	75	12	121,6	119,40	20105075	0,37
21	8	35,7	33,54	20105021	0,01	76	12	123,1	120,99	20105076	0,41
22	8	37,3	35,13	20105022	0,02	80	12	129,5	127,35	20105080	0,46
23	8	38,9	36,72	20105023	0,02	85	14	137,5	135,31	20105085	0,52
24	8	40,5	38,30	20105024	0,02	90	14	145,4	143,27	20105090	0,58
25	8	42,0	39,89	20105025	0,02	95	14	153,4	151,22	20105095	0,65
26	8	43,6	41,48	20105026	0,02	100	14	161,3	159,18	20105100	0,79
27	8	45,2	43,07	20105027	0,02	114	14	183,6	181,46	20105114	0,85
28	8	46,8	44,65	20105028	0,03	120	14	193,2	191,01	20105120	0,95
30	8	50,0	47,83	20105030	0,03	125	14	201,1	198,96	20105125	1,03
32	8	53,2	51,01	20105032	0,03						
33	8	54,8	52,60	20105033	0,04						
34	8	56,3	54,19	20105034	0,04						
35	8	57,9	55,78	20105035	0,04						
36	8	59,5	57,37	20105036	0,04						
37	8	61,1	58,96	20105037	0,05						
38	8	62,7	60,54	20105038	0,05						
40	8	65,9	63,73	20105040	0,05						
42	8	69,1	66,91	20105042	0,06						
44	8	72,2	70,09	20105044	0,07						
45	8	73,8	71,68	20105045	0,07						
46	8	75,4	73,27	20105046	0,07						
48	8	78,6	76,45	20105048	0,08						
50	8	81,8	79,63	20105050	0,08						

A partire da Z.52 il disco ruota viene maggiorato  $h = 4\text{mm}$

MATERIALE **FE / C45**

Per necessità specifiche chiedere.

Disegni CAD disponibili sul sito  
[www.chiaravalli.com](http://www.chiaravalli.com)

Quantità, disponibilità e prezzi  
 con B2B Chiaravalli





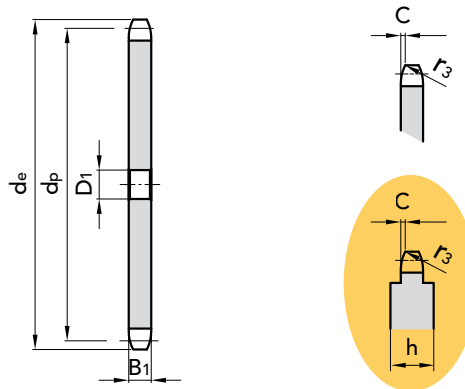
## 6 x 2.8 mm

### CORONA

Raggio dente $r_3$	6	mm
Larghezza raggio C	0,7	mm
Larghezza dente corona $B_1$	2,6	mm

### CATENA

Passo	6	mm
Larghezza interna	2,8	mm
Rullo $\emptyset$	4	mm



### SEMPLICI

Z	D <sub>1</sub>	d <sub>e</sub>	d <sub>p</sub>	CODICE	kg.	Z	D <sub>1</sub>	d <sub>e</sub>	d <sub>p</sub>	CODICE	kg.
8	5	18,0	15,67	20106008	0,01	52	12	101,8	99,37	20106052	0,25
9	5	19,9	17,54	20106009	0,01	54	12	105,6	103,17	20106054	0,26
10	6	21,7	19,42	20106010	0,01	55	12	107,6	105,08	20106055	0,27
11	6	23,6	21,30	20106011	0,01	56	12	109,5	109,50	20106056	0,28
12	8	25,4	23,18	20106012	0,01	57	12	111,4	111,40	20106057	0,29
13	8	27,3	25,05	20106013	0,01	58	12	113,3	113,30	20106058	0,30
14	8	29,2	26,96	20106014	0,01	60	12	117,1	117,10	20106060	0,33
15	8	31,0	28,86	20106015	0,01	62	14	120,9	120,90	20106062	0,35
16	8	33,0	30,76	20106016	0,01	64	14	124,7	124,70	20106064	0,37
17	8	35,0	32,65	20106017	0,01	65	14	126,6	126,60	20106065	0,38
18	8	36,9	34,55	20106018	0,02	66	14	128,5	128,50	20106066	0,40
19	8	38,8	36,44	20106019	0,02	70	14	136,2	136,20	20106070	0,45
20	8	40,7	38,34	20106020	0,02	75	16	145,7	145,70	20106075	0,48
21	8	42,6	40,25	20106021	0,02	76	16	147,6	147,60	20106076	0,53
22	8	44,5	42,16	20106022	0,02	80	16	155,3	155,30	20106080	0,59
23	8	46,4	44,06	20106023	0,03	85	16	164,8	164,80	20106085	0,67
24	8	48,3	45,96	20106024	0,03	90	16	174,4	174,40	20106090	0,77
25	8	50,2	47,87	20106025	0,03	95	16	183,9	183,90	20106095	0,85
26	8	52,1	49,76	20106026	0,03	100	16	193,5	193,50	20106100	0,94
27	8	54,0	51,67	20106027	0,04	114	16	220,2	220,20	20106114	1,23
28	8	55,9	53,58	20106028	0,04	120	16	231,7	231,70	20106120	1,37
30	8	59,8	57,42	20106030	0,05	125	16	241,2	238,75	20106125	1,48
32	8	63,6	61,21	20106032	0,05						
33	8	65,5	63,11	20106033	0,06						
34	8	67,4	65,02	20106034	0,06						
35	8	69,3	66,93	20106035	0,07						
36	8	71,2	68,84	20106036	0,07						
37	8	73,1	70,75	20106037	0,07						
38	8	75,0	72,66	20106038	0,08						
40	8	78,9	76,47	20106040	0,09						
42	10	82,7	80,28	20106042	0,10						
44	10	86,6	84,10	20106044	0,11						
45	10	88,5	86,01	20106045	0,11						
46	10	90,4	87,92	20106046	0,12						
48	10	94,2	91,74	20106048	0,13						
50	10	98,0	95,55	20106050	0,14						

CORONE 6 x 2.8 mm per catene a rulli secondo DIN 8187 - ISO/R 606

A partire da Z.52 il disco ruota viene maggiorato h = 4mm

MATERIALE FE / C45

Per necessità specifiche chiedere.

Disegni CAD disponibili sul sito [www.chiaravalli.com](http://www.chiaravalli.com)

Quantità, disponibilità e prezzi con B2B Chiaravalli



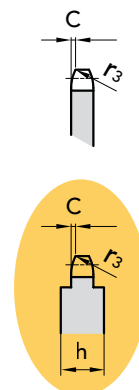
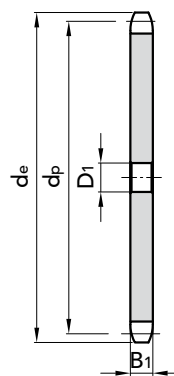

**CORONE 1/4" x 1/8"** per catene a rulli secondo DIN 8188 - ASA 25 - ISO/R 606 - ANSI B 29.1

**1/4" x 1/8" ASA 25**
**CORONA**

Raggio dente $r_3$	6,4	mm
Larghezza raggio C	0,7	mm
Larghezza dente corona $B_1$	2,9	mm

**CATENA**

Passo	6,35	mm
Larghezza interna	3,18	mm
Rullo $\varnothing$	3,3	mm


**SEMPLICI**

Z	D <sub>1</sub>	d <sub>e</sub>	d <sub>p</sub>	CODICE	kg.	Z	D <sub>1</sub>	d <sub>e</sub>	d <sub>p</sub>	CODICE	kg.
8	6	19,4	16,58	20107008	0,005	52	12	108,0	105,16	20107052	0,260
9	6	21,4	18,56	20107009	0,005	54	12	112,0	109,18	20107054	0,294
10	6	23,3	20,55	20107010	0,006	55	12	114,0	111,23	20107055	0,296
11	8	25,3	22,54	20107011	0,008	56	12	116,0	113,25	20107056	0,310
12	8	27,3	24,53	20107012	0,010	57	12	118,1	115,27	20107057	0,320
13	8	29,3	26,53	20107013	0,013	58	12	120,1	117,29	20107058	0,330
14	8	31,3	28,53	20107014	0,013	60	12	124,1	121,32	20107060	0,360
15	8	33,3	30,53	20107015	0,013	62	12	128,2	125,37	20107062	0,390
16	8	35,3	32,55	20107016	0,016	64	12	132,2	129,41	20107064	0,420
17	8	37,3	34,55	20107017	0,017	65	12	134,2	131,43	20107065	0,430
18	8	39,4	36,56	20107018	0,021	66	14	136,2	133,45	20107066	0,440
19	8	41,4	38,58	20107019	0,023	70	14	144,3	141,53	20107070	0,505
20	8	43,4	40,58	20107020	0,026	75	14	154,4	151,63	20107075	0,580
21	8	45,4	42,60	20107021	0,028	76	14	156,5	153,66	20107076	0,590
22	8	47,4	44,62	20107022	0,030	80	16	164,5	161,74	20107080	0,660
23	8	49,4	46,63	20107023	0,038	85	16	174,6	171,85	20107085	0,750
24	8	51,4	48,64	20107024	0,038	90	16	184,7	181,95	20107090	0,840
25	8	53,5	50,66	20107025	0,040	95	16	194,8	192,05	20107095	0,940
26	8	55,5	52,67	20107026	0,040	100	16	204,9	202,15	20107100	1,050
27	8	57,5	54,69	20107027	0,045	110	16	225,1	222,37	20107110	1,280
28	8	59,5	56,71	20107028	0,056	114	16	233,2	230,45	20107114	1,380
30	8	63,6	60,75	20107030	0,060	120	16	245,4	242,58	20107120	1,530
32	10	67,6	64,78	20107032	0,060	125	16	255,5	252,68	20107125	1,660
33	10	69,6	66,80	20107033	0,070						
34	10	71,6	68,82	20107034	0,070						
35	10	73,6	70,84	20107035	0,080						
36	10	75,6	72,85	20107036	0,085						
37	10	77,7	74,87	20107037	0,090						
38	10	79,7	76,89	20107038	0,095						
40	10	83,7	80,93	20107040	0,110						
42	10	87,8	84,97	20107042	0,117						
44	10	91,8	89,01	20107044	0,120						
45	10	93,8	91,03	20107045	0,135						
46	10	95,8	93,05	20107046	0,140						
48	10	99,9	97,09	20107048	0,150						
50	10	103,9	101,13	20107050	0,170						

A partire da Z.52 il disco ruota viene maggiorato  $h = 4\text{mm}$

MATERIALE **FE / C45**

Per necessità specifiche chiedere.

Disegni CAD disponibili sul sito  
[www.chiaravalli.com](http://www.chiaravalli.com)

Quantità, disponibilità e prezzi  
 con B2B Chiaravalli





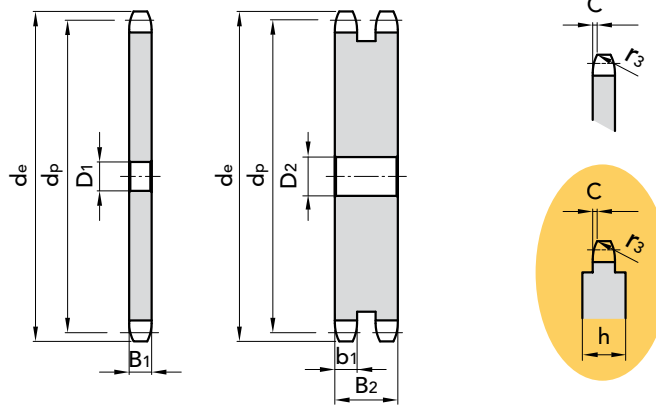
## 8 x 3 mm

### CORONA

Raggio dente $r_3$	8	mm
Larghezza raggio $C$	1,0	mm
Larghezza dente corona $B_1$	2,8	mm
Larghezza dente corona $b_1$	2,7	mm
Larghezza dente corona $B_2$	8,3	mm

### CATENA

Passo	8	mm
Larghezza interna	3	mm
Rullo $\varnothing$	5	mm



**CORONE 8 x 3 mm**  
per catene a rulli secondo  
DIN 8187 - ISO/R 606

### SEMPLICI

SEMPLICI						DOPPIE											
Z	D <sub>1</sub>	d <sub>e</sub>	d <sub>p</sub>	CODICE	kg.	Z	D <sub>1</sub>	d <sub>e</sub>	d <sub>p</sub>	CODICE	kg.	Z	D <sub>2</sub>	d <sub>e</sub>	d <sub>p</sub>	CODICE	kg.
8	6	24,0	20,90	20108008	0,01	45	12	118,0	114,69	20108045	0,32	8	6	24,00	20,90	20208008	0,010
9	6	26,6	23,39	20108009	0,01	46	12	120,6	117,23	20108046	0,34	9	6	26,60	23,39	20208009	0,010
10	8	29,2	25,89	20108010	0,02	47	12	123,1	119,77	20108047	0,35	10	8	29,20	25,89	20208010	0,020
11	8	31,7	28,39	20108011	0,01	48	12	125,6	122,32	20108048	0,37	11	8	31,70	28,39	20208011	0,020
12	8	34,2	30,91	20108012	0,02	50	12	130,7	127,41	20108050	0,40	12	8	34,20	30,91	20208012	0,030
13	8	36,7	33,42	20108013	0,02	51	14	133,3	129,95	20108051	0,42	13	8	36,70	33,42	20208013	0,045
14	8	39,2	35,95	20108014	0,02	52	14	135,8	132,49	20108052	0,43	14	8	39,20	35,95	20208014	0,050
15	8	41,7	38,48	20108015	0,02	54	14	140,9	137,59	20108054	0,47	15	8	41,70	38,48	20208015	0,060
16	8	44,3	41,01	20108016	0,03	55	14	143,5	140,13	20108055	0,49	16	10	44,30	41,01	20208016	0,070
17	8	46,8	43,53	20108017	0,03	56	14	146,0	142,68	20108056	0,51	17	10	46,80	43,53	20208017	0,080
18	8	49,3	46,07	20108018	0,04	57	14	148,6	145,22	20108057	0,53	18	10	49,30	46,07	20208018	0,090
19	8	51,9	48,61	20108019	0,04	58	14	151,0	147,77	20108058	0,55	19	10	51,90	48,61	20208019	0,100
20	8	54,4	51,14	20108020	0,05	59	14	153,6	150,31	20108059	0,57	20	10	54,40	51,14	20208020	0,110
21	8	57,0	53,68	20108021	0,05	60	14	156,2	152,85	20108060	0,59	21	10	57,00	53,68	20208021	0,120
22	8	59,5	56,21	20108022	0,06	62	16	162,0	157,95	20108062	0,63	22	10	59,50	56,21	20208022	0,140
23	8	62,0	58,75	20108023	0,06	64	16	167,1	163,04	20108064	0,67	23	10	62,00	58,75	20208023	0,150
24	8	64,6	61,29	20108024	0,07	65	16	169,6	165,58	20108065	0,69	24	10	64,60	61,29	20208024	0,170
25	8	67,5	63,83	20108025	0,07	66	16	172,2	168,13	20108066	0,77	25	10	67,50	63,83	20208025	0,180
26	10	69,5	66,37	20108026	0,08	70	16	182,4	178,31	20108070	0,81	26	12	69,50	66,37	20208026	0,200
27	10	72,2	68,91	20108027	0,08	75	20	195,1	191,04	20108075	0,93	27	12	72,20	68,91	20208027	0,210
28	10	74,8	71,45	20108028	0,09	76	20	197,7	193,59	20108076	0,94	28	12	74,80	71,45	20208028	0,230
29	10	77,3	73,99	20108029	0,09	80	20	207,9	203,77	20108080	1,01	29	12	77,30	73,99	20208029	0,250
30	10	79,8	76,53	20108030	0,10	85	20	220,6	216,50	20108085	1,20	30	12	79,80	76,53	20208030	0,270
31	10	82,4	79,08	20108031	0,11	90	20	233,4	229,23	20108090	1,35	31	12	82,40	79,08	20208031	0,310
32	10	84,9	81,61	20108032	0,13	95	20	246,1	241,96	20108095	1,51	32	12	84,90	81,61	20208032	0,330
33	10	87,5	84,16	20108033	0,13	100	20	258,9	254,68	20108100	1,68	33	12	87,50	84,16	20208033	0,350
34	10	90,0	86,70	20108034	0,14	114	20	294,5	290,33	20108114	2,20	34	12	90,00	86,70	20208034	0,350
35	10	92,5	89,25	20108035	0,15	120	20	310,0	305,61	20108120	2,44	35	12	92,50	89,25	20208035	0,370
36	10	95,0	91,79	20108036	0,15	125	20	322,5	318,34	20108125	2,65	36	12	95,00	91,79	20208036	0,370
37	10	97,6	94,33	20108037	0,15							37					
38	10	100,2	96,88	20108038	0,16							38	12	100,20	96,88	20208038	0,420
39	10	102,7	99,42	20108039	0,17							39	12	102,70	99,42	20208039	0,440
40	10	105,3	101,97	20108040	0,20							40	12	105,30	101,97	20208040	0,470
41	12	107,8	104,51	20108041	0,25							41					
42	12	110,4	107,05	20108042	0,27							42	14	110,40	107,05	20208042	0,520
44	12	115,5	112,14	20108044	0,30							44	14	115,50	112,14	20208044	0,570

A partire da **Z.46** il disco ruota viene maggiorato  $h = 4\text{mm}$

MATERIALE **FE / C45**

Per necessità specifiche chiedere.

Disegni CAD disponibili sul sito  
[www.chiaravalli.com](http://www.chiaravalli.com)

Quantità, disponibilità e prezzi  
con B2B Chiaravalli





**CORONE 3/8" x 7/32"**  
per catene a rulli secondo  
DIN 8187 - ISO/R 606

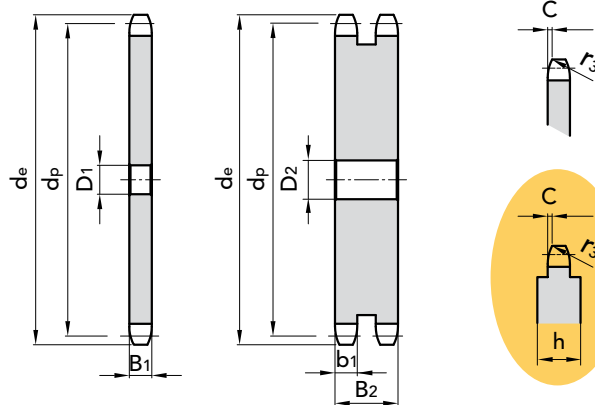
**3/8" x 7/32"**

**CORONA**

Raggio dente $r_3$	10	mm
Larghezza raggio C	1	mm
Larghezza dente corona $B_1$	5,3	mm
Larghezza dente corona $b_1$	5,2	mm
Larghezza dente corona $B_2$	15,4	mm
Larghezza dente corona $B_3$	25,6	mm

**CATENA**

Passo	9,525	mm
Larghezza interna	5,72	mm
Rullo $\emptyset$	6,35	mm



**SEMPLICI**

Z	D <sub>1</sub>	d <sub>e</sub>	d <sub>p</sub>	CODICE	kg.
8	6	28,54	24,89	20109008	0,01
9	7	31,50	27,85	20109009	0,01
10	7	34,47	30,82	20109010	0,01
11	8	37,46	33,81	20109011	0,02
12	8	40,45	36,80	20109012	0,02
13	8	43,45	39,80	20109013	0,02
14	8	46,45	42,80	20109014	0,02
15	8	49,46	45,81	20109015	0,02
16	10	52,47	48,82	20109016	0,02
17	10	55,49	51,84	20109017	0,3
18	10	58,50	54,85	20109018	0,03
19	10	61,52	57,87	20109019	0,03
20	10	64,54	60,89	20109020	0,04
21	10	67,56	63,91	20109021	0,04
22	10	70,58	66,93	20109022	0,05
23	10	73,60	69,95	20109023	0,06
24	10	76,62	72,97	20109024	0,07
25	10	79,65	76,00	20109025	0,07
26	10	82,67	79,02	20109026	0,08
27	10	85,70	82,05	20109027	0,09
28	10	88,72	85,07	20109028	0,09
29	10	91,75	88,10	20109029	0,09
30	10	94,77	91,12	20109030	0,1
31	12	97,80	94,15	20109031	0,1
32	12	100,83	97,18	20109032	0,1
33	12	103,85	100,20	20109033	0,12
34	12	106,88	103,23	20109034	0,12
35	12	109,91	106,26	20109035	0,14
36	12	112,94	109,29	20109036	0,14
37	12	115,97	112,32	20109037	0,14
38	12	118,99	115,34	20109038	0,15
39	12	122,02	118,37	20109039	0,16
40	12	125,05	121,40	20109040	0,17
41	16	128,08	124,43	20109041	0,18
42	16	131,11	127,46	20109042	0,2
43	16	134,14	130,49	20109043	0,3

**DOPPIE**

Z	D <sub>1</sub>	d <sub>e</sub>	d <sub>p</sub>	CODICE	kg.
8	6	28,00	24,89	20209008	0,03
9	8	31,00	27,85	20209009	0,04
10	8	34,00	30,82	20209010	0,05
11	10	37,00	33,80	20209011	0,06
12	10	40,00	36,80	20209012	0,08
13	10	43,00	39,79	20209013	0,10
14	10	46,30	42,80	20209014	0,12
15	10	49,30	45,81	20209015	0,14
16	12	52,30	48,82	20209016	0,16
17	12	55,30	51,83	20209017	0,19
18	12	58,30	54,85	20209018	0,21
19	12	61,30	57,87	20209019	0,24
20	12	64,30	60,89	20209020	0,27
21	12	68,00	63,91	20209021	0,30
22	12	71,00	66,93	20209022	0,34
23	12	73,50	69,95	20209023	0,37
24	12	77,00	72,97	20209024	0,41
25	12	80,00	76,02	20209025	0,45
26	12	83,00	79,02	20209026	0,48
27	12	86,00	82,02	20209027	0,53
28	12	89,00	85,07	20209028	0,57
29	12	92,00	88,09	20209029	0,62
30	12	94,70	91,12	20209030	0,66
31	14	98,30	94,15	20209031	0,71
32	14	101,30	97,17	20209032	0,77
33	14	104,30	100,20	20209033	0,82
34	14	107,30	103,23	20209034	0,87
35	14	110,40	106,26	20209035	0,93
36	14	113,40	109,29	20209036	0,99
37	14	116,40	112,32	20209037	1,05
38	14	119,50	115,35	20209038	1,11
39	14	122,50	118,37	20209039	1,18
40	14	125,50	121,40	20209040	1,24
41	16	128,50	124,43	20209041	1,30
42	16	131,60	127,46	20209042	1,36
43	16	134,60	130,49	20209043	1,44

A partire da Z.100 il disco ruota  
viene maggiorato  $h = 7\text{mm}$

MATERIALE **FE / C45**

Per necessità specifiche chiedere.

Disegni CAD disponibili sul sito  
[www.chiaravalli.com](http://www.chiaravalli.com)

Quantità, disponibilità e prezzi  
con B2B Chiaravalli







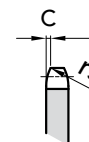
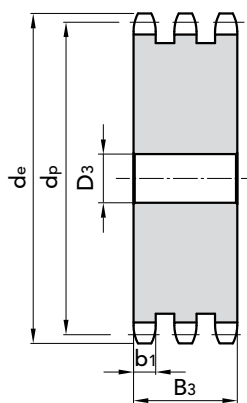
## 3/8" x 7/32"

### CORONA

Raggio dente $r_3$	10	mm
Larghezza raggio C	1	mm
Larghezza dente corona $B_1$	5,3	mm
Larghezza dente corona $b_1$	5,2	mm
Larghezza dente corona $B_2$	15,4	mm
Larghezza dente corona $B_3$	25,6	mm

### CATENA

Passo	9,525	mm
Larghezza interna	5,72	mm
Rullo $\varnothing$	6,35	mm



**CORONA 3/8" x 7/32"**  
per catene a rulli secondo  
DIN 8187 - ISO/R 606

### TRIPLE

Z	D <sub>3</sub>	d <sub>e</sub>	d <sub>p</sub>	CODICE	kg.	Z	D <sub>3</sub>	d <sub>e</sub>	d <sub>p</sub>	CODICE	kg.
8	6	28,0	24,89	20309008	0,040	44	16	137,6	133,52	20309044	2,500
9	8	31,0	27,85	20309009	0,060	45	16	140,7	136,55	20309045	2,460
10	10	34,0	30,82	20309010	0,070	46	16	143,7	139,58	20309046	2,750
11	10	37,0	33,80	20309011	0,090	47	16	146,7	142,61	20309047	2,880
12	10	40,0	36,80	20309012	0,122	48	16	149,7	145,64	20309048	3,010
13	10	43,0	39,79	20309013	0,150	49					
14	12	46,3	42,80	20309014	0,186	50	16	155,7	151,69	20309050	3,300
15	12	49,3	45,81	20309015	0,260	51	20	158,7	154,72	20309051	3,430
16	12	52,3	48,82	20309016	0,260	52	20	161,8	157,75	20309052	3,570
17	12	55,3	51,83	20309017	0,340	53					
18	12	58,3	54,85	20309018	0,345	54					
19	12	61,3	57,87	20309019	0,396	55					
20	12	64,3	60,89	20309020	0,445	56	20	173,8	169,88	20309056	4,140
21	14	68,0	63,91	20309021	0,480	57	20	176,9	172,91	20309057	4,300
22	14	71,0	66,93	20309022	0,540	58	20	179,9	175,93	20309058	4,460
23	14	73,5	69,95	20309023	0,600	60	20	186,0	181,99	20309060	4,800
24	14	77,0	72,97	20309024	0,660	62					
25	14	80,0	76,02	20309025	0,730	64	20	198,2	194,12	20309064	5,500
26	14	83,0	79,02	20309026	0,795	65	20	201,6	197,15	20309065	5,670
27	14	86,0	82,02	20309027	0,865	66	25	204,6	200,18	20309066	5,660
28	14	89,0	85,07	20309028	0,940	68					
29	14	92,0	88,09	20309029	1,010	70	25	216,7	212,30	20309070	6,630
30	14	94,7	91,12	20309030	1,090	72	25	222,8	218,37	20309072	7,030
31	16	98,3	94,15	20309031	1,180	75					
32	16	101,3	97,17	20309032	1,260	76	25	234,9	230,49	20309076	7,870
33	16	104,3	100,20	20309033	1,350	78					
34	16	107,3	103,23	20309034	1,440	80	25	247,1	242,61	20309080	8,760
35	16	110,4	106,26	20309035	1,540	85	25	262,2	257,77	20309085	9,930
36	16	113,4	109,20	20309036	1,620	90	25	277,4	272,93	20309090	11,17
37						95	25	292,5	288,08	20309095	12,49
38	16	119,5	115,35	20309038	1,800	100	25	307,7	303,25	20309100	13,89
39						110	25	338,0	333,55	20309110	16,89
40	16	125,5	121,40	20309040	2,030	114	25	349,5	345,68	20309114	18,17
41	20	128,5	124,43	20309041	2,150	120	25	368,3	363,86	20309120	20,18
42	16	131,6	127,46	20309042	2,260	125	25	383,5	379,02	20309125	21,94
43	16	134,6	130,49	20309043	2,380						

### MATERIALE FE / C45

Per necessità specifiche chiedere.

Disegni CAD disponibili sul sito  
[www.chiaravalli.com](http://www.chiaravalli.com)

Quantità, disponibilità e prezzi  
con B2B Chiaravalli





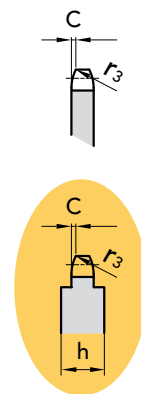
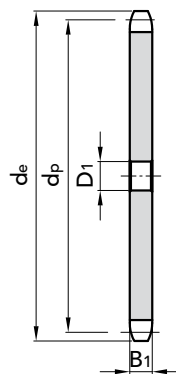
CORONE 1/2" x 1/8" per catene a rulli secondo DIN 8187 - ISO/R 606

**1/2" x 1/8"**
**CORONA**

Raggio dente $r_3$	13	mm
Larghezza raggio C	1,0	mm
Larghezza dente corona $B_1$	3	mm

**CATENA**

Passo	12,7	mm
Larghezza interna	3,3	mm
Rullo $\varnothing$	7,75	mm


**SEMPLICI**

Z	D <sub>1</sub>	d <sub>e</sub>	d <sub>p</sub>	CODICE	kg.	Z	D <sub>1</sub>	d <sub>e</sub>	d <sub>p</sub>	CODICE	kg.
8	8	37,2	33,18	20110008	0,02	48	20	199,7	194,18	20110048	0,94
9	8	41,5	37,13	20110009	0,02	50	20	207,8	202,26	20110050	1,06
10	8	46,2	41,10	20110010	0,02	52	20	215,9	210,34	20110052	1,14
11	8	49,6	45,07	20110011	0,03	54	20	224,0	218,43	20110054	1,19
12	8	53,9	49,07	20110012	0,04	55	20	228,0	222,46	20110055	1,25
13	8	58,4	53,06	20110013	0,04	56	20	232,1	226,50	20110056	1,30
14	8	62,8	57,07	20110014	0,05	57	20	236,1	230,54	20110057	1,35
15	8	66,8	61,09	20110015	0,06	58	20	240,2	234,58	20110058	1,45
16	10	70,9	65,10	20110016	0,07	60	20	248,2	242,66	20110060	1,50
17	10	74,9	69,11	20110017	0,08	65	20	268,8	262,86	20110065	1,61
18	10	78,9	73,14	20110018	0,09	66	25	272,9	268,90	20110066	1,79
19	10	82,9	77,16	20110019	0,10	68	25	280,9	274,99	20110068	1,87
20	10	86,9	81,19	20110020	0,11	70	25	289,0	283,07	20110070	2,05
21	10	91,0	85,22	20110021	0,11	76	25	313,3	307,33	20110076	2,19
22	10	95,0	89,24	20110022	0,13	80	25	329,4	323,48	20110080	2,42
23	10	99,0	93,27	20110023	0,15	90	25	369,9	363,90	20110090	4,53
24	10	103,0	97,29	20110024	0,16	95	25	390,1	384,10	20110095	5,00
25	10	107,1	101,33	20110025	0,17	100	25	410,3	404,31	20110100	5,61
26	12	111,2	105,36	20110026	0,26	114	25	466,9	460,90	20110114	7,42
27	12	115,4	109,40	20110027	0,28	120	25	491,2	486,16	20110120	8,00
28	12	119,4	113,42	20110028	0,32						
29	12	123,4	117,46	20110029	0,33						
30	12	127,5	121,50	20110030	0,35						
32	12	135,5	129,56	20110032	0,40						
33	12	139,6	133,60	20110033	0,43						
34	12	143,6	137,64	20110034	0,46						
35	12	147,6	141,68	20110035	0,49						
36	16	151,7	145,72	20110036	0,51						
37	16	155,7	149,76	20110037	0,55						
38	16	159,8	153,80	20110038	0,58						
39	16	163,8	157,83	20110039	0,61						
40	16	167,8	161,87	20110040	0,64						
42	16	175,4	169,95	20110042	0,69						
44	16	183,5	178,03	20110044	0,79						
45	16	187,5	182,07	20110045	0,82						
46	20	191,6	186,10	20110046	0,88						

A partire da Z.30 il disco ruota viene maggiorato h = 4mm

A partire da Z.90 il disco ruota viene maggiorato h = 6mm

Disegni CAD disponibili sul sito  
[www.chiaravalli.com](http://www.chiaravalli.com)

MATERIALE FE / C45  
 Per necessità specifiche chiedere.

Quantità, disponibilità e prezzi  
 con B2B Chiaravalli





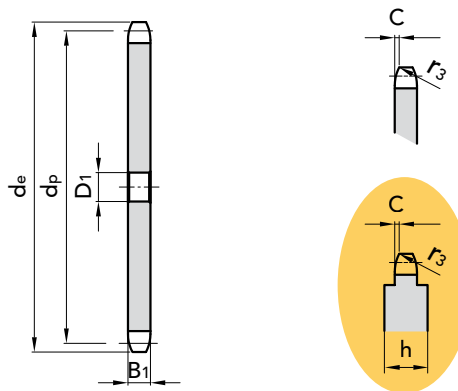
## 1/2" x 3/16"

### CORONA

Raggio dente $r_3$	13 mm
Larghezza raggio C	1,3 mm
Larghezza dente corona $B_1$	$4,3^{\pm 0,2}$ mm

### CATENA

Passo	12,7 mm
Larghezza interna	4,88 mm
Rullo $\varnothing$	7,75 mm



### SEMPLICI

Z	D <sub>1</sub>	d <sub>e</sub>	d <sub>p</sub>	CODICE	kg.	Z	D <sub>1</sub>	d <sub>e</sub>	d <sub>p</sub>	CODICE	kg.
8	8	38,5	33,18	20111008	0,02	44	16	183,5	178,03	20111044	0,83
9	8	41,5	37,13	20111009	0,03	45	16	187,5	182,07	20111045	0,87
10	8	46,2	41,10	20111010	0,04	46	20	191,6	186,10	20111046	0,91
11	8	49,6	45,07	20111011	0,05	47	20	195,6	190,14	20111047	0,95
12	8	53,9	49,07	20111012	0,05	48	20	199,7	194,18	20111048	0,99
13	8	58,4	53,06	20111013	0,06	49	20	203,7	198,22	20111049	1,04
14	8	62,8	57,07	20111014	0,08	50	20	207,8	202,26	20111050	1,08
15	8	66,8	61,09	20111015	0,09	51	20	211,8	206,30	20111051	1,12
16	10	70,9	65,10	20111016	0,10	52	20	215,9	210,34	20111052	1,17
17	10	74,9	69,11	20111017	0,12	53	20	219,9	214,37	20111053	1,22
18	10	78,9	73,14	20111018	0,13	54	20	224,0	218,43	20111054	1,26
19	10	82,9	77,16	20111019	0,15	55	20	228,0	222,46	20111055	1,31
20	10	86,9	81,19	20111020	0,16	56	20	232,1	226,50	20111056	1,36
21	10	91,0	85,22	20111021	0,18	57	20	236,1	230,54	20111057	1,41
22	10	95,0	89,24	20111022	0,20	58	20	240,2	234,58	20111058	1,46
23	10	99,0	93,27	20111023	0,22	60	20	248,2	242,66	20111060	1,57
24	10	103,0	97,29	20111024	0,24	62	20	256,7	250,75	20111062	1,68
25	10	107,1	101,33	20111025	0,26	64	20	264,8	258,82	20111064	1,80
26	12	111,2	105,36	20111026	0,28	65	20	268,8	262,86	20111065	1,85
27	12	115,4	109,40	20111027	0,30	66	25	272,9	266,90	20111066	1,94
28	12	119,4	113,42	20111028	0,33	68	25	280,9	274,99	20111068	2,02
29	12	123,4	117,46	20111029	0,35	70	25	289,0	283,07	20111070	2,14
30	12	127,5	121,50	20111030	0,38	72	25	297,1	291,16	20111072	2,27
31	12	131,5	125,54	20111031	0,40	76	25	313,3	307,33	20111076	2,54
32	12	135,5	129,56	20111032	0,43	78	25	321,4	315,40	20111078	2,68
33	12	139,6	133,60	20111033	0,46	80					
34	12	143,6	137,64	20111034	0,49	85	25	349,7	343,70	20111085	3,19
35	12	147,6	141,68	20111035	0,52	90	25	369,9	363,90	20111090	3,86
36	16	151,7	145,72	20111036	0,55	95	25	390,1	384,10	20111095	4,95
37	16	155,7	149,76	20111037	0,58	100	25	410,3	404,31	20111100	5,83
38	16	159,8	153,80	20111038	0,62	110	25	450,7	444,74	20111110	7,07
39	16	163,8	157,83	20111039	0,65	114	25	466,9	460,90	20111114	7,61
40	16	167,8	161,87	20111040	0,68	120	25	491,2	485,16	20111120	8,50
41	16	171,4	165,91	20111041	0,72	125	25	511,4	505,37	20111125	9,17
42	16	175,4	169,95	20111042	0,76						
43	16	179,5	173,99	20111043	0,80						

A partire da Z.90 il disco ruota viene maggiorato h = 6mm

MATERIALE **FE / C45**

Per necessità specifiche chiedere.

Disegni CAD disponibili sul sito  
[www.chiaravalli.com](http://www.chiaravalli.com)

Quantità, disponibilità e prezzi  
con B2B Chiaravalli



CORONE 1/2" x 3/16" per catene a rulli secondo DIN 8187 - ISO/R 606



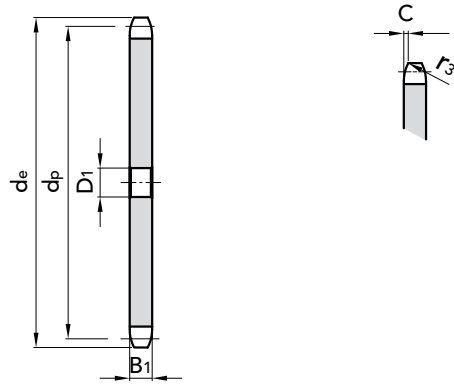
CORONE 1/2" x 1/4" rullo 7.75 per catene a rulli secondo DIN 8187 - ISO/R 606

**1/2" x 1/4" rullo 7.75**
**CORONA**

Raggio dente $r_3$	13	mm
Larghezza raggio C	1,3	mm
Larghezza dente corona $B_1$	5,9	mm

**CATENA**

Passo	12,7	mm
Larghezza interna	6,4	mm
Rullo $\varnothing$	7,75	mm


**SEMPLICI**

Z	D <sub>1</sub>	d <sub>e</sub>	d <sub>p</sub>	CODICE	kg.	Z	D <sub>1</sub>	d <sub>e</sub>	d <sub>p</sub>	CODICE	kg.
8	8	38,5	33,18	20113008	0,030	44	16	183,5	178,03	20113044	1,090
9	8	41,5	37,13	20113009	0,038	45	16	187,5	182,07	20113045	1,150
10	8	46,2	41,10	20113010	0,040	46	20	191,6	186,10	20113046	1,170
11	8	49,6	45,07	20113011	0,059	47	20	195,6	190,14	20113047	1,270
12	8	53,9	49,07	20113012	0,072	48	20	199,7	194,18	20113048	1,380
13	8	58,4	53,06	20113013	0,100	49	20	203,7	198,22	20113049	1,390
14	8	62,8	57,07	20113014	0,100	50	20	207,8	202,26	20113050	1,440
15	8	66,8	61,09	20113015	0,115	52	20	215,9	210,34	20113052	1,620
16	10	70,9	65,10	20113016	0,120	54	20	224,0	218,43	20113054	1,710
17	10	74,9	69,11	20113017	0,150	56	20	232,1	226,50	20113056	1,750
18	10	78,9	73,14	20113018	0,190	57	20	236,1	230,54	20113057	1,850
19	10	82,9	77,16	20113019	0,210	58					
20	10	86,9	81,19	20113020	0,220	60	20	248,2	242,66	20113060	2,120
21	10	91,0	85,22	20113021	0,240	62	20	256,7	250,75	20113062	2,310
22	10	95,0	89,24	20113022	0,240	65	20	268,8	262,86	20113065	2,420
23	10	99,0	93,27	20113023	0,250	70	25	289,0	283,07	20113070	2,950
24	10	103,0	97,29	20113024	0,310	76	25	313,3	307,33	20113076	3,480
25	10	107,1	101,33	20113025	0,310	80	25	329,4	323,48	20113080	3,700
26	12	111,2	105,36	20113026	0,390	85	25	349,7	343,70	20113085	4,370
27	12	115,4	109,40	20113027	0,430	95	25	390,1	384,10	20113095	5,470
28	12	119,4	113,42	20113028	0,440	100	25	410,3	404,31	20113100	5,710
29						110	25	450,7	444,74	20113110	6,000
30	12	127,5	121,50	20113030	0,480	114	25	466,9	460,90	20113114	6,540
31	12	131,5	125,54	20113031	0,560	120					
32	12	135,5	129,56	20113032	0,570	125					
33	12	139,6	133,60	20113033	0,620						
34	12	143,6	137,64	20113034	0,660						
35	12	147,6	141,68	20113035	0,680						
36	16	151,7	145,72	20113036	0,810						
37	16	155,7	149,76	20113037	0,910						
38	16	159,8	153,80	20113038	0,950						
39	16	163,8	157,83	20113039	0,950						
40	16	167,8	161,87	20113040	0,980						
41	16	171,4	165,91	20113041	0,980						
42	16	175,4	169,95	20113042	0,990						
43	16	179,5	173,99	20113043	1,030						

**MATERIALE FE / C45**

Per necessità specifiche chiedere.

 Disegni CAD disponibili sul sito  
[www.chiaravalli.com](http://www.chiaravalli.com)

 Quantità, disponibilità e prezzi  
 con B2B Chiaravalli



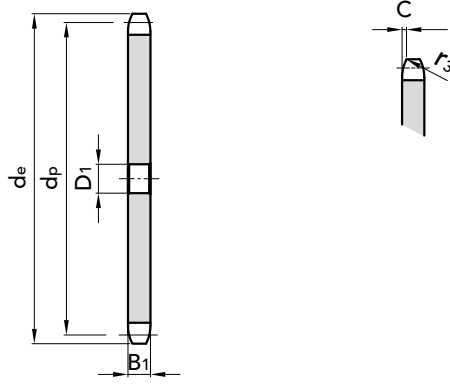

## 1/2" x 1/4" rullo 8.51

### CORONA

Raggio dente $r_3$	13	mm
Larghezza raggio C	1,3	mm
Larghezza dente corona $B_1$	5,9	mm

### CATENA

Passo	12,7	mm
Larghezza interna	6,4	mm
Rullo $\emptyset$	8,51	mm



### SEMPLICI

Z	D <sub>1</sub>	d <sub>e</sub>	d <sub>p</sub>	CODICE	kg.	Z	D <sub>1</sub>	d <sub>e</sub>	d <sub>p</sub>	CODICE	kg.
8	8	37,2	33,18	20114008	0,020	44					
9	8	41,0	37,13	20114009	0,030	45	16	188,0	182,07	20114045	1,150
10						46					
11	8	48,7	45,07	20114011	0,060	47	20	196,2	190,14	20114047	1,300
12	8	53,0	49,07	20114012	0,080	48					
13	8	57,4	53,06	20114013	0,090	49					
14	8	61,8	57,07	20114014	0,100	50	20	208,3	202,26	20114050	1,410
15						52					
16	10	69,5	65,10	20114016	0,140	54	20	224,1	218,43	20114054	1,720
17	10	73,6	69,11	20114017	0,148	56					
18	10	77,8	73,14	20114018	0,157	57	20	236,4	230,54	20114057	1,930
19	10	81,7	77,16	20114019	0,195	58					
20	10	85,8	81,19	20114020	0,200	60					
21						62	20	256,9	250,75	20114062	2,170
22						65	20	269,0	262,86	20114065	2,370
23	10	98,2	93,27	20114023	0,290	70					
24	10	101,8	97,29	20114024	0,310	76	25	313,3	307,33	20114076	3,310
25	10	105,8	101,33	20114025	0,330	80	25	329,4	323,48	20114080	3,830
26	12	110,0	105,36	20114026	0,360	85					
27	12	114,0	109,40	20114027	0,390	95					
28	12	118,0	113,42	20114028	0,420	100					
29	12	122,0	117,46	20114029	0,480	110	25	450,7	444,74	20114110	9,50
30	12	126,1	121,50	20114030	0,490	114					
31	12	130,2	125,54	20114031	0,550	120					
32	12	134,2	129,56	20114032	0,560	125					
33											
34											
35	12	146,7	141,68	20114035	0,700						
36											
37	16	154,6	149,76	20114037	0,790						
38	16	158,6	153,80	20114038	0,800						
39	16	162,7	157,83	20114039	0,880						
40	16	166,8	161,87	20114040	0,900						
41	16	171,4	165,91	20114041	0,920						
42	16	175,4	169,95	20114042	1,030						
43	16	179,7	173,99	20114043	1,080						

### MATERIALE FE / C45

Per necessità specifiche chiedere.

Disegni CAD disponibili sul sito  
[www.chiaravalli.com](http://www.chiaravalli.com)

Quantità, disponibilità e prezzi  
con B2B Chiaravalli



CORONE 1/2" x 1/4" rullo 8.51 per catene a rulli secondo DIN 8187 - ISO/R 606





**CORONE 1/2" x 5/16"**  
per catene a rulli secondo  
DIN 8187 - ISO/R 606

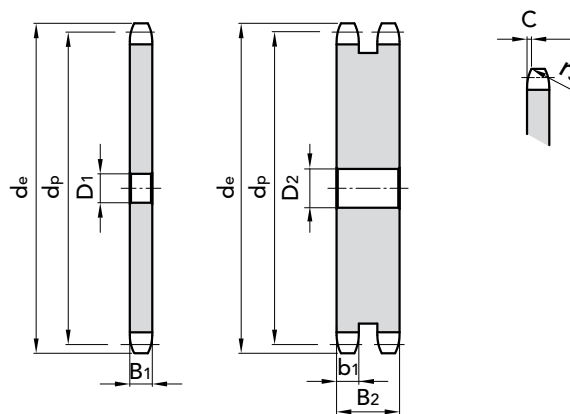
**1/2" x 5/16"**

**CORONA**

Raggio dente $r_3$	13	mm
Larghezza raggio C	1,3	mm
Larghezza dente corona $B_1$	7,2	mm
Larghezza dente corona $b_1$	7	mm
Larghezza dente corona $B_2$	21	mm
Larghezza dente corona $B_3$	34,9	mm

**CATENA**

Passo	12,7	mm
Larghezza interna	7,75	mm
Rullo $\emptyset$	8,51	mm



**SEMPLICI**

Z	D <sub>1</sub>	d <sub>e</sub>	d <sub>p</sub>	CODICE	kg.
8	8	37,68	33,19	20112008	0,03
9	8	41,62	37,13	20112009	0,04
10	8	45,59	41,10	20112010	0,06
11	10	49,57	45,08	20112011	0,07
12	10	53,56	49,07	20112012	0,08
13	10	57,56	53,07	20112013	0,10
14	10	61,56	57,07	20112014	0,12
15	10	65,57	61,08	20112015	0,14
16	10	69,59	65,10	20112016	0,16
17	10	73,61	69,12	20112017	0,18
18	10	77,63	73,14	20112018	0,20
19	10	81,65	77,16	20112019	0,23
20	10	85,67	81,18	20112020	0,26
21	12	89,70	85,21	20112021	0,28
22	12	93,73	89,24	20112022	0,31
23	12	97,76	93,27	20112023	0,34
24	12	101,79	97,30	20112024	0,38
25	12	105,8	101,33	20112025	0,41
26	16	109,85	105,36	20112026	0,44
27	16	113,89	109,40	20112027	0,48
28	16	117,92	113,42	20112028	0,52
29	16	121,95	117,46	20112029	0,56
30	16	125,99	121,50	20112030	0,60
31	16	130,02	125,53	20112031	0,64
32	16	134,06	129,57	20112032	0,68
33	16	138,10	133,61	20112033	0,73
34	16	142,13	137,64	20112034	0,78
35	16	146,17	141,68	20112035	0,83
36	16	150,21	145,72	20112036	0,88
37	16	154,24	149,75	20112037	0,93
38	16	158,28	153,79	20112038	0,98
39	16	162,32	157,83	20112039	1,03
40	16	166,36	161,87	20112040	1,09
41	20	170,40	165,91	20112041	1,14
42	20	174,43	169,94	20112042	1,20
43	20	178,47	173,98	20112043	1,26

**DOPPIE**

Z	D <sub>2</sub>	d <sub>e</sub>	d <sub>p</sub>	CODICE	kg.
8	10	37,20	33,18	20212008	0,07
9	10	41,00	37,13	20212009	0,10
10	10	45,20	41,10	20212010	0,13
11	12	48,70	45,07	20212011	0,17
12	12	53,00	49,07	20212012	0,21
13	12	57,40	53,06	20212013	0,25
14	12	61,80	57,07	20212014	0,30
15	12	65,50	61,09	20212015	0,36
16	14	69,50	65,10	20212016	0,41
17	14	73,60	69,11	20212017	0,47
18	14	77,80	73,14	20212018	0,54
19	14	81,70	77,16	20212019	0,61
20	14	85,80	81,19	20212020	0,68
21	16	89,70	85,22	20212021	0,75
22	16	93,80	89,24	20212022	0,83
23	16	98,20	93,27	20212023	0,92
24	16	101,80	97,29	20212024	1,01
25	16	105,80	101,33	20212025	1,10
26	16	110,00	105,36	20212026	1,20
27	16	114,00	109,40	20212027	1,31
28	16	118,00	113,42	20212028	1,42
29	16	122,00	117,46	20212029	1,53
30	16	126,10	121,50	20212030	1,65
31	16	130,20	125,54	20212031	1,77
32	16	134,30	129,56	20212032	1,90
33	16	138,40	133,60	20212033	2,02
34	16	142,60	137,64	20212034	2,16
35	16	146,70	141,68	20212035	2,30
36	20	151,00	145,72	20212036	2,42
37	20	154,60	149,76	20212037	2,56
38	20	158,60	153,80	20212038	2,71
39	20	162,70	157,83	20212039	2,87
40	20	166,80	161,87	20212040	3,03
41	20	171,40	165,91	20212041	3,20
42	20	175,40	169,95	20212042	3,36
43	20	179,70	173,99	20212043	3,53

MATERIALE **FE / C45**

Per necessità specifiche chiedere.

Disegni CAD disponibili sul sito  
[www.chiaravalli.com](http://www.chiaravalli.com)

Quantità, disponibilità e prezzi  
con B2B Chiaravalli





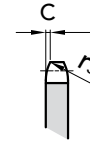
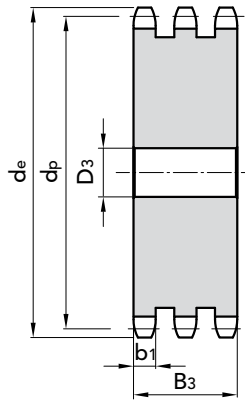
## 1/2" x 5/16"

### CORONA

Raggio dente $r_3$	13	mm
Larghezza raggio C	1,3	mm
Larghezza dente corona $B_1$	7,2	mm
Larghezza dente corona $b_1$	7	mm
Larghezza dente corona $B_2$	21	mm
Larghezza dente corona $B_3$	34,9	mm

### CATENA

Passo	12,7	mm
Larghezza interna	7,75	mm
Rullo $\varnothing$	8,51	mm



**CORONE 1/2" x 5/16"**  
per catene a rulli secondo  
DIN 8187 - ISO/R 606

### TRIPLE

Z	D <sub>3</sub>	d <sub>e</sub>	d <sub>p</sub>	CODICE	kg.	Z	D <sub>3</sub>	d <sub>e</sub>	d <sub>p</sub>	CODICE	kg.
8	10	37,2	33,18	20312008	0,11	44	25	183,8	178,03	20312044	6,09
9	12	41,0	37,13	20312009	0,16	45	25	188,0	182,07	20312045	6,39
10	12	45,2	41,10	20312010	0,21	46	25	192,1	186,10	20312046	6,70
11	14	48,7	45,07	20312011	0,26	47	25	198,2	190,14	20312047	7,00
12	14	53,0	49,07	20312012	0,33	48	25	200,3	194,18	20312048	7,33
13	14	57,4	53,06	20312013	0,40	49	25	204,3	198,22	20312049	7,84
14	14	61,8	57,07	20312014	0,48	50	25	208,3	202,26	20312050	8,00
15	14	65,5	61,09	20312015	0,57	51					
16	16	69,5	65,10	20312016	0,64	52	25	216,1	210,34	20312052	8,68
17	16	73,6	69,11	20312017	0,74	53	25	220,2	214,37	20312053	9,02
18	16	77,8	73,14	20312018	0,85	54	25	224,1	218,43	20312054	9,40
19	16	81,7	77,16	20312019	0,97	55	25	228,1	222,46	20312055	9,77
20	16	85,8	81,19	20312020	1,09	56	25	232,2	226,50	20312056	10,15
21	20	89,7	85,22	20312021	1,22	57	25	236,4	230,54	20312057	10,53
22	20	93,8	89,24	20312022	1,36	58					
23	20	98,2	93,27	20312023	1,50	60	25	248,6	242,66	20312060	11,73
24	20	101,8	97,29	20312024	1,63	62	25	256,9	250,75	20312062	13,86
25	20	105,8	101,33	20312025	1,81	64	25	265,1	258,82	20312064	15,22
26	20	110,0	105,36	20312026	1,98	65	25	269,0	262,86	20312065	15,56
27	20	114,0	109,40	20312027	2,15	66					
28	20	118,0	113,42	20312028	2,33	68	25	281,0	274,99	20312068	15,72
29	20	122,0	117,46	20312029	2,52	70	25	289,0	283,07	20312070	16,17
30	20	126,1	121,50	20312030	2,71	72	25	297,2	291,16	20312072	17,14
31	20	130,2	125,54	20312031	2,94	75	25	309,2	303,27	20312075	18,65
32	20	134,3	129,56	20312032	3,09	76	25	313,3	307,33	20312076	19,17
33	20	138,4	133,60	20312033	3,30	78					
34	20	142,6	137,64	20312034	3,53	80	25	329,4	323,48	20312080	21,82
35	20	146,7	141,68	20312035	3,76	85	25	349,0	343,70	20312085	24,15
36	25	151,0	145,72	20312036	3,99	90	25	369,9	363,90	20312090	27,17
37						95	25	390,1	384,11	20312095	30,36
38	25	158,6	153,80	20312038	4,49	100	25	410,3	404,32	20312100	33,73
39						110					
40	25	166,8	161,87	20312040	5,00	114	25	466,9	460,90	20312114	44,10
41						120	25	491,2	485,16	20312120	49,70
42	25	175,4	169,95	20312042	5,51	125	25	511,3	505,37	20312125	55,21
43	25	179,7	173,99	20312043	5,80						

### MATERIALE FE / C45

Per necessità specifiche chiedere.

Disegni CAD disponibili sul sito  
[www.chiaravalli.com](http://www.chiaravalli.com)

Quantità, disponibilità e prezzi  
con B2B Chiaravalli







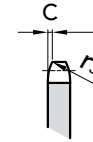
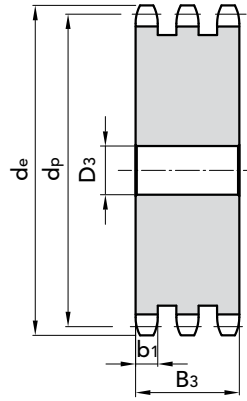
## 5/8" x 3/8"

### CORONA

Raggio dente $r_3$	16	mm
Larghezza raggio C	1,6	mm
Larghezza dente corona $B_1$	9,1	mm
Larghezza dente corona $b_1$	9	mm
Larghezza dente corona $B_2$	25,5	mm
Larghezza dente corona $B_3$	42,1	mm

### CATENA

Passo	15,875	mm
Larghezza interna	9,65	mm
Rullo $\varnothing$	10,16	mm



**CORONE 5/8" x 3/8"**  
per catene a rulli secondo  
DIN 8187 - ISO/R 606

### TRIPLE

Z	D <sub>3</sub>	d <sub>e</sub>	d <sub>p</sub>	CODICE	kg.	Z	D <sub>3</sub>	d <sub>e</sub>	d <sub>p</sub>	CODICE	kg.
8	12	47,0	41,48	20315008	0,23	44	25	230,0	222,53	20315044	11,67
9	12	52,6	46,42	20315009	0,32	45	25	235,0	227,58	20315045	12,24
10	16	57,5	51,37	20315010	0,44	46	25	240,1	232,63	20315046	12,82
11	16	63,0	56,34	20315011	0,55	47	25	245,1	237,68	20315047	13,10
12	16	68,0	61,34	20315012	0,67	48	25	250,2	242,73	20315048	14,01
13	16	73,0	66,32	20315013	0,81	49	25	255,2	247,78	20315049	14,86
14	16	78,0	71,34	20315014	0,97	50	25	260,3	252,82	20315050	15,26
15	16	83,0	76,36	20315015	1,14	51					
16	16	88,0	81,37	20315016	1,29	52	25	270,4	262,92	20315052	16,57
17	16	93,0	86,38	20315017	1,49	53	25	275,4	267,97	20315053	17,20
18	16	98,3	91,42	20315018	1,70	54					
19	16	103,3	96,45	20315019	1,92	55	25	285,5	278,08	20315055	18,62
20	16	108,4	101,49	20315020	2,15	56					
21	20	113,4	106,52	20315021	2,40	57	25	296,0	288,18	20315057	20,06
22	20	118,0	111,55	20315022	2,66	58					
23	20	123,5	116,58	20315023	2,94	60	25	310,8	303,32	20315060	22,31
24	20	128,3	121,62	20315024	3,23	62					
25	20	134,0	126,66	20315025	3,53	64	30	331,5	323,53	20315064	25,43
26	20	139,0	131,70	20315026	3,81	65	30	336,5	328,58	20315065	26,26
27	20	144,0	136,75	20315027	4,13	68	30	351,7	343,74	20315068	28,59
28	20	148,7	141,78	20315028	4,47	70	30	361,8	353,84	20315070	30,61
29	20	153,8	146,83	20315029	4,83	72	30	371,9	363,95	20315072	30,54
30	20	158,8	151,87	20315030	5,20	75	30	387,1	379,09	20315075	30,35
31	20	163,9	156,92	20315031	5,42	76	30	392,1	384,16	20315076	36,27
32	20	168,9	161,95	20315032	5,97	78					
33	20	174,5	167,00	20315033	6,38	80	30	412,3	404,35	20315080	40,30
34	20	179,0	172,05	20315034	6,80	85	30	437,6	429,62	20315085	45,60
35	20	184,1	177,10	20315035	7,23	90	30	462,8	454,88	20315090	51,32
36	25	189,1	182,15	20315036	7,62	95	30	488,5	480,14	20315095	57,32
37	25	194,2	187,20	20315037	8,08	100	30	513,4	505,39	20315100	63,60
38	25	199,2	192,24	20315038	8,55	110	30	563,9	555,92	20315110	77,27
39	25	204,2	197,29	20315039	9,04	114	30	584,1	576,13	20315114	83,15
40	25	209,3	202,34	20315040	9,54	120					
41	25	214,8	207,39	20315041	10,05	125	30	639,7	631,51	20315125	99,50
42	25	219,9	212,44	20315042	10,58						
43	25	224,9	217,49	20315043	10,98						

### MATERIALE FE / C45

Per necessità specifiche chiedere.

Disegni CAD disponibili sul sito  
[www.chiaravalli.com](http://www.chiaravalli.com)

Quantità, disponibilità e prezzi  
con B2B Chiaravalli









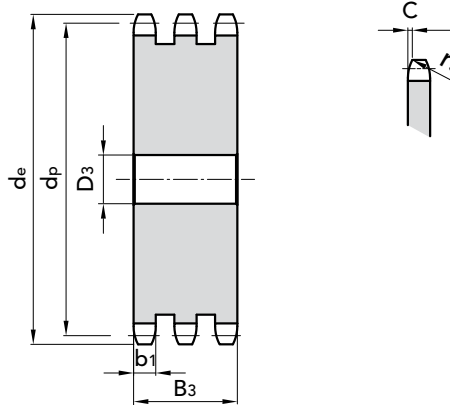
## 3/4" x 7/16"

### CORONA

Raggio dente $r_3$	19	mm
Larghezza raggio C	2	mm
Larghezza dente corona $B_1$	11,1	mm
Larghezza dente corona $b_1$	10,8	mm
Larghezza dente corona $B_2$	30,3	mm
Larghezza dente corona $B_3$	49,8	mm

### CATENA

Passo	19,05	mm
Larghezza interna	11,68	mm
Rullo $\varnothing$	12,07	mm



**CORONE 3/4" x 7/16"**  
per catene a rulli secondo  
DIN 8187 - ISO/R 606

### TRIPLE

Z	D <sub>3</sub>	d <sub>e</sub>	d <sub>p</sub>	CODICE	kg.	Z	D <sub>3</sub>	d <sub>e</sub>	d <sub>p</sub>	CODICE	kg.
8	16	57,6	49,78	20319008	0,31	44	25	276,5	267,04	20319044	20,03
9	16	62,0	55,70	20319009	0,57	45	25	282,5	273,10	20319045	21,00
10	16	69,0	61,64	20319010	0,74	46					
11	20	75,0	67,61	20319011	0,91	47	25	294,0	285,21	20319047	23,00
12	20	81,5	73,61	20319012	1,13	48	25	300,1	291,27	20319048	24,04
13	20	87,5	79,59	20319013	1,38	49					
14	20	93,6	85,61	20319014	1,64	50	25	312,3	303,39	20319050	26,17
15	20	99,8	91,63	20319015	1,93	51					
16	20	105,5	97,65	20319016	2,20	52	25	324,5	315,50	20319052	28,40
17	20	111,5	103,67	20319017	2,54	53					
18	20	118,0	109,71	20319018	2,89	54	25	336,6	327,64	20319054	30,72
19	20	124,2	115,75	20319019	3,27	55	25	342,7	333,70	20319055	31,91
20	20	129,7	121,78	20319020	3,67	56					
21	20	136,0	127,82	20319021	4,10	57					
22	20	141,8	133,86	20319022	4,55	58	30	361,5	351,87	20319058	34,28
23	20	149,0	139,90	20319023	5,02	59					
24	20	153,9	145,94	20319024	5,51	60					
25	20	160,0	152,00	20319025	6,02	62					
26	20	165,9	158,04	20319026	6,56	64					
27	20	172,3	164,09	20319027	7,12	65	30	403,2	394,29	20319065	45,00
28	20	178,0	170,13	20319028	7,71	68					
29	20	184,1	176,19	20319029	8,31	70	30	433,6	433,60	20319070	52,42
30	20	190,5	182,25	20319030	8,97	72	30	447,0	447,00	20319072	55,55
31	25	196,3	188,31	20319031	9,52	75					
32	25	203,3	194,36	20319032	10,19	76	30	469,9	469,90	20319076	62,09
33	25	209,2	200,40	20319033	10,89	78					
34	25	214,6	206,46	20319034	11,61	80	30	494,2	494,20	20319080	68,98
35	25	221,0	212,52	20319035	12,35	85	30	524,5	524,50	20319085	78,10
36	25	226,8	218,58	20319036	13,11	90	30	554,8	554,80	20319090	87,79
37	25	232,9	224,64	20319037	13,90	95	30	585,1	585,10	20319095	98,04
38	25	239,0	230,69	20319038	14,70	100	30	615,4	615,40	20319100	108,86
39	25	245,1	236,75	20319039	17,54	110	30	676,1	676,10	20319110	120,30
40	25	251,3	242,81	20319040	16,40	114	30	700,6	700,60	20319114	142,15
41						120	30	736,7	736,70	20319120	157,77
42	25	264,5	254,93	20319042	18,17	125	30	767,0	767,00	20319125	171,41
43	25	270,5	260,98	20319043	19,09						

### MATERIALE FE / C45

Per necessità specifiche chiedere.

Disegni CAD disponibili sul sito  
[www.chiaravalli.com](http://www.chiaravalli.com)

Quantità, disponibilità e prezzi  
con B2B Chiaravalli





**CORONE 1" x 17.02 mm**  
per catene a rulli secondo  
DIN 8187 - ISO/R 606

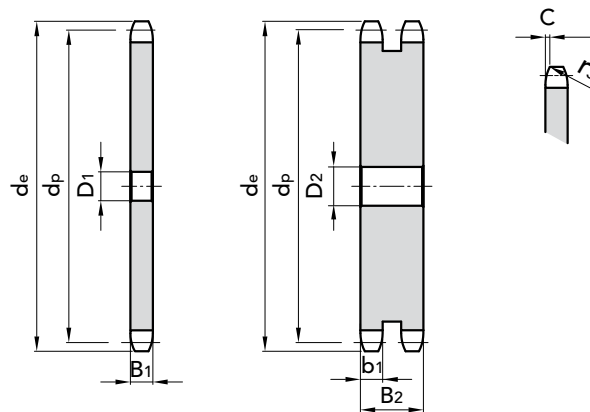
**1" x 17.02 mm**

**CORONA**

Raggio dente $r_3$	26	mm
Larghezza raggio C	2,5	mm
Larghezza dente corona $B_1$	16,2	mm
Larghezza dente corona $b_1$	15,8	mm
Larghezza dente corona $B_2$	47,7	mm
Larghezza dente corona $B_3$	79,6	mm

**CATENA**

Passo	25,4	mm
Larghezza interna	17,02	mm
Rullo $\varnothing$	15,88	mm



**SEMPLICI**

Z	D <sub>1</sub>	d <sub>e</sub>	d <sub>p</sub>	CODICE	kg.
8	14	77,49	66,37	20125008	0,30
9	14	85,38	74,26	20125009	0,39
10	15	93,32	82,20	20125010	0,51
11	15	101,28	90,14	20125011	0,63
12	15	109,26	98,14	20125012	0,77
13	15	117,26	106,14	20125013	0,92
14	15	125,27	114,15	20125014	1,08
15	15	133,29	122,17	20125015	1,26
16	19	141,32	130,20	20125016	1,43
17	19	149,35	138,23	20125017	1,64
18	19	157,39	146,27	20125018	1,85
19	19	165,44	154,32	20125019	2,08
20	19	173,49	162,37	20125020	2,32
21	20	181,54	170,42	20125021	2,58
22	20	189,60	178,48	20125022	2,84
23	20	197,66	186,54	20125023	3,13
24	20	205,72	194,60	20125024	3,42
25	20	213,78	202,66	20125025	3,73
26	20	221,80	210,72	20125026	4,05
27	20	229,91	218,79	20125027	4,38
28	20	237,98	226,86	20125028	4,73
29	20	246,05	234,93	20125029	5,09
30	20	254,12	243,00	20125030	5,46
31	25	262,19	251,07	20125031	5,82
32	25	270,26	259,14	20125032	6,22
33	25	278,33	267,21	20125033	6,63
34	25	287,40	275,28	20125034	7,06
35	25	294,48	283,36	20125035	7,50
36	25	302,55	291,43	20125036	7,95
37	25	310,63	299,51	20125037	8,41
38	25	318,70	307,58	20125038	8,88
39	25	326,78	315,66	20125039	9,37
40	25	334,86	323,74	20125040	9,88
41	25	342,93	331,81	20125041	10,39
42	25	351,01	339,89	20125042	10,92
43	25	359,09	347,97	20125043	11,46

**DOPPIE**

Z	D <sub>2</sub>	d <sub>e</sub>	d <sub>p</sub>	CODICE	kg.
8	16	77,49	66,37	20225008	0,71
9	16	85,38	74,26	20225009	0,97
10	16	93,32	82,20	20225010	1,27
11	20	101,28	90,14	20225011	1,57
12	20	109,26	98,14	20225012	1,94
13	20	117,26	106,14	20225013	2,36
14	20	125,27	114,15	20225014	2,81
15	20	133,29	122,17	20225015	3,31
16	20	141,32	130,20	20225016	3,84
17	20	149,35	138,23	20225017	4,41
18	20	157,39	146,27	20225018	5,01
19	20	165,44	154,32	20225019	5,66
20	20	173,49	162,37	20225020	6,34
21	25	181,54	170,42	20225021	7,00
22	25	189,60	178,48	20225022	7,76
23	25	197,66	186,54	20225023	8,56
24	25	205,72	194,60	20225024	9,40
25	25	213,78	202,66	20225025	10,28
26	25	221,80	210,72	20225026	11,20
27	25	229,91	218,79	20225027	12,15
28	25	237,98	226,86	20225028	13,14
29	25	246,05	234,93	20225029	14,17
30	25	254,12	243,00	20225030	15,24
31	25	262,19	251,07	20225031	16,35
32	25	270,26	259,14	20225032	17,50
33	25	278,33	267,21	20225033	18,68
34	25	287,40	275,28	20225034	19,90
35	25	294,48	283,36	20225035	21,16
36	25	302,55	291,43	20225036	22,46
37	25	310,63	299,51	20225037	23,80
38	25	318,70	307,58	20225038	25,18
39	25	326,78	315,66	20225039	26,59
40	25	334,86	323,74	20225040	28,04
41					
42	25	351,01	339,89	20225042	31,07
43	25	359,09	347,97	20225043	32,65

MATERIALE **FE / C45**

Per necessità specifiche chiedere.

Disegni CAD disponibili sul sito  
[www.chiaravalli.com](http://www.chiaravalli.com)

Quantità, disponibilità e prezzi  
con B2B Chiaravalli





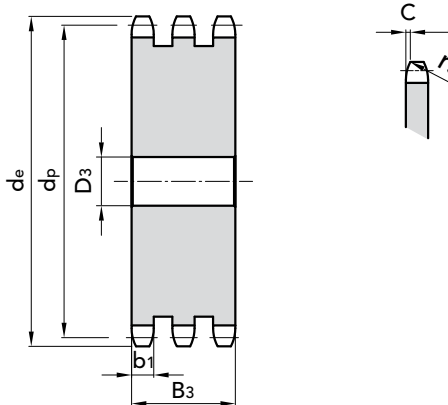
## 1" x 17.02 mm

### CORONA

Raggio dente $r_3$	26	mm
Larghezza raggio C	2,5	mm
Larghezza dente corona $B_1$	16,2	mm
Larghezza dente corona $b_1$	15,8	mm
Larghezza dente corona $B_2$	47,7	mm
Larghezza dente corona $B_3$	79,6	mm

### CATENA

Passo	25,4	mm
Larghezza interna	17,02	mm
Rullo $\varnothing$	15,88	mm



**CORONE 1" x 17.02 mm**  
per catene a rulli secondo  
DIN 8187 - ISO/R 606

### TRIPLE

Z	D <sub>3</sub>	d <sub>e</sub>	d <sub>p</sub>	CODICE	kg.	Z	D <sub>3</sub>	d <sub>e</sub>	d <sub>p</sub>	CODICE	kg.
8	20	77,49	66,37	20325008	1,13	44	30	367,17	356,05	20325044	56,63
9	20	85,38	74,26	20325009	1,56	45	30	375,24	364,12	20325045	59,36
10	20	93,32	82,20	20325010	2,05	46	30	383,32	372,20	20325046	62,17
11	25	101,28	90,14	20325011	2,53	47					
12	25	109,26	98,14	20325012	3,15	48	30	399,48	388,36	20325048	67,97
13	25	117,26	106,14	20325013	3,84	49					
14	25	125,27	114,15	20325014	4,59	50	30	415,64	404,52	20325050	74,01
15	25	133,29	122,17	20325015	5,40	51					
16	30	141,32	130,20	20325016	6,16	52	40	431,80	420,68	20325052	79,98
17	30	149,35	138,23	20325017	7,11	53					
18	30	157,39	146,27	20325018	8,11	54					
19	30	165,44	154,32	20325019	9,18	55	40	456,04	444,92	20325055	89,92
20	30	173,49	162,37	20325020	10,31	56					
21	30	181,54	170,42	20325021	11,51	57	40	472,20	461,08	20325057	96,87
22	30	189,60	178,48	20325022	12,77	58					
23	30	197,66	186,54	20325023	14,10	60	40	496,45	485,33	20325060	107,78
24	30	205,72	194,60	20325024	14,49	62					
25	30	213,78	202,66	20325025	16,94	64					
26	30	221,80	210,72	20325026	18,33	65	40	536,85	525,73	20325065	127,24
27	30	229,91	218,79	20325027	19,91	68	40	561,10	579,98	20325068	137,78
28	30	237,98	226,86	20325028	21,55	70	40	577,27	566,15	20325070	148,31
29	30	246,05	234,93	20325029	23,26	72	40	593,43	582,31	20325072	157,18
30	30	254,12	243,00	20325030	25,04	75					
31	30	262,19	251,07	20325031	26,88	76	40	625,76	614,64	20325076	175,70
32	30	270,26	259,14	20325032	28,78	78					
33	30	278,33	267,21	20325033	30,75	80	40	658,09	646,97	20325080	195,25
34	30	287,40	275,28	20325034	32,78	85	40	698,51	687,39	20325085	221,13
35	30	294,48	283,36	20325035	34,88	90	40	738,92	727,80	20325090	248,61
36	30	302,55	291,43	20325036	37,04	95	40	779,34	768,22	20325095	277,70
37						100					
38	30	318,70	307,58	20325038	41,56	110					
39						114	40	932,93	921,81	20325114	402,85
40	30	334,86	323,74	20325040	46,42	120					
41						125	40	1021,86	1010,74	20325125	485,90
42	30	351,01	339,89	20325042	51,34						
43											

### MATERIALE FE / C45

Per necessità specifiche chiedere.

Disegni CAD disponibili sul sito  
[www.chiaravalli.com](http://www.chiaravalli.com)

Quantità, disponibilità e prezzi  
con B2B Chiaravalli







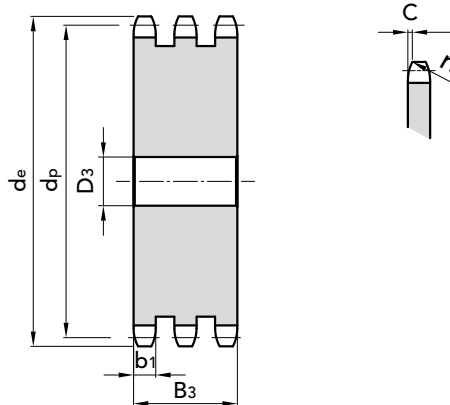
## 1" 1/4 x 3/4"

### CORONA

Raggio dente $r_3$	32	mm
Larghezza raggio C	3,5	mm
Larghezza dente corona $B_1$	18,5	mm
Larghezza dente corona $b_1$	18,2	mm
Larghezza dente corona $B_2$	54,6	mm
Larghezza dente corona $B_3$	91	mm

### CATENA

Passo	31,75	mm
Larghezza interna	19,56	mm
Rullo $\varnothing$	19,05	mm



**CORONE 1" 1/4 x 3/4"**  
per catene a rulli secondo  
DIN 8187 - ISO/R 606

### TRIPLE

Z	D <sub>3</sub>	d <sub>e</sub>	d <sub>p</sub>	CODICE	kg.	Z	D <sub>3</sub>	d <sub>e</sub>	d <sub>p</sub>	CODICE	kg.
8	20	98,1	82,96	20331008	2,02	44					
9	20	108,0	92,84	20331009	2,79	45	40	470,3	455,17	20331045	105,96
10	20	117,9	102,74	20331010	3,77	46					
11	20	127,8	112,68	20331011	4,53	48					
12	20	137,8	122,68	20331012	5,64	50	40	520,8	505,65	20331050	132,13
13	20	147,8	132,65	20331013	4,87	51					
14	20	157,8	142,68	20331014	8,20	52					
15	20	167,9	152,72	20331015	9,65	54					
16	25	177,9	162,75	20331016	11,07	55	40	571,3	556,16	20331055	161,16
17	25	187,9	172,78	20331017	12,75	56					
18	25	198,0	182,85	20331018	14,54	57	40	591,5	576,36	20331057	173,58
19	25	208,1	192,91	20331019	16,45	58					
20	25	218,1	202,98	20331020	18,47	60	40	621,8	606,65	20331060	193,06
21	25	228,2	213,04	20331021	20,62	64					
22	25	238,3	223,11	20331022	22,87	65	40	672,3	657,16	20331065	227,83
23	25	248,3	233,17	20331023	25,24	70	40	722,8	707,67	20331070	265,46
24	25	258,4	243,23	20331024	27,72	75					
25	25	268,5	253,33	20331025	30,32	76	40	783,5	768,32	20331076	314,39
26	25	278,6	263,40	20331026	33,03	80	40	823,9	808,72	20331080	340,0
27	25	288,6	273,40	20331027	35,86	85					
28	25	298,7	283,56	20331028	38,80	90					
29						95	40	975,4	960,28	20331095	420,0
30	25	318,9	303,75	20331030	45,03	100					
31						114	40	1167,4	1152,26	20331114	720,16
32	25	339,1	323,91	20331032	51,72						
33	25	349,2	334,01	20331033	55,17						
34	25	359,3	344,10	20331034	58,86						
35	25	369,4	354,20	20331035	62,60						
36	30	379,5	364,30	20331036	66,46						
37	30	389,5	374,39	20331037	70,37						
38	30	399,6	384,49	20331038	74,52						
39											
40	30	419,8	404,68	20331040	83,04						
41											
42											
43											

### MATERIALE FE / C45

Per necessità specifiche chiedere.

Disegni CAD disponibili sul sito  
[www.chiaravalli.com](http://www.chiaravalli.com)

Quantità, disponibilità e prezzi  
con B2B Chiaravalli







**CORONE 1" 1/2 x 1"**  
per catene a rulli secondo  
DIN 8187 - ISO/R 606

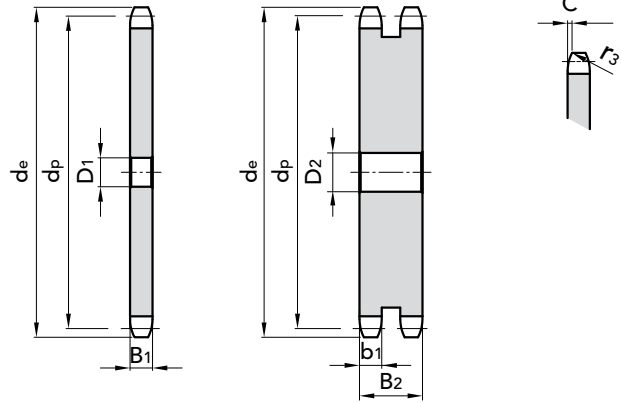
**1" 1/2 x 1"**

**CORONA**

Raggio dente $r_3$	38	mm
Larghezza raggio C	4	mm
Larghezza dente corona $B_1$	24,1	mm
Larghezza dente corona $b_1$	23,6	mm
Larghezza dente corona $B_2$	72	mm
Larghezza dente corona $B_3$	120,3	mm

**CATENA**

Passo	38,1	mm
Larghezza interna	25,4	mm
Rullo $\varnothing$	25,4	mm



SEMPLICI						DOPPIE																		
Z	D <sub>1</sub>	d <sub>e</sub>	d <sub>p</sub>	CODICE	kg.	Z	D <sub>1</sub>	d <sub>e</sub>	d <sub>p</sub>	CODICE	kg.	Z	D <sub>2</sub>	d <sub>e</sub>	d <sub>p</sub>	CODICE	kg.	Z	D <sub>2</sub>	d <sub>e</sub>	d <sub>p</sub>	CODICE	kg.	
8	20	115,0	99,55	20138008	1,00	44	30	549,0	534,08	20138044	38,35	8	25	115,00	99,55	20238008	2,31	44						
9	20	126,4	111,40	20138009	1,32	45	30	561,2	546,20	20138045	42,08	9	25	126,40	111,40	20238009	3,18	45	40	561,20	546,20	20238045	121,24	
10	20	138,0	123,29	20138010	1,69	46	30	573,3	558,32	20138046	44,03	10	25	138,00	123,29	20238010	4,19	46	40	573,30	558,32	20238046	130,70	
11	20	150,0	135,21	20138011	2,07	47						11	25	150,00	135,21	20238011	5,33	47						
12	20	162,0	147,22	20138012	2,53	48	30	597,4	582,55	20138048	48,04	12	25	162,00	147,22	20238012	6,59	48						
13	20	174,2	159,18	20138013	3,03	49						13	25	174,20	159,18	20238013	7,99	49						
14	20	186,2	171,22	20138014	3,57	50	30	621,7	606,78	20138050	52,24	14	25	186,20	171,22	20238014	9,52	50	40	621,70	606,78	20238050	151,08	
15	20	198,2	183,26	20138015	4,16	51						15	25	198,20	183,26	20238015	11,18	51						
16	25	210,3	195,30	20138016	4,79	52	30	646,0	631,01	20138052	56,60	16	25	210,30	195,30	20238016	12,85	52						
17	25	222,3	207,34	20138017	5,47	53						17	25	222,30	207,34	20238017	14,77	53						
18	25	234,3	219,42	20138018	6,19	54	30	670,2	655,28	20138054	61,14	18	25	234,30	219,42	20238018	16,82	54						
19	25	246,5	231,49	20138019	6,95	55	30	682,3	667,40	20138055	63,48	19	25	246,50	231,49	20238019	19,00	55						
20	25	258,6	243,57	20138020	7,76	56	30	694,4	679,51	20138056	65,86	20	25	258,60	243,57	20238020	21,31	56						
21	25	270,6	255,65	20138021	8,57	57	30	706,5	691,63	20138057	68,28	21	25	270,60	255,65	20238021	23,75	57	40	706,50	691,63	20238057	198,34	
22	25	282,7	267,73	20138022	9,46	58	30	718,6	703,74	20138058	67,52	22	25	282,70	267,73	20238022	26,33	58						
23	25	294,8	279,80	20138023	10,40	59						23	25	294,80	279,80	20238023	29,03	59						
24	25	306,8	291,88	20138024	11,38	60	40	742,8	727,97	20138060	75,82	24	25	306,80	291,88	20238024	31,86	60	40	742,80	727,97	20238060	220,55	
25	25	319,0	304,00	20138025	12,41	62	40	767,2	752,24	20138062	80,95	25	25	319,00	304,00	20238025	34,83	62						
26	30	331,0	316,08	20138026	13,47	64						26	30	331,00	316,08	20238026	37,93	64						
27	30	343,2	328,19	20138027	14,59	65	40	803,4	788,59	20138065	89,14	27	30	343,20	328,19	20238027	41,15	65	40	803,40	788,59	20238065	260,19	
28	30	355,2	340,27	20138028	15,74	66						28	30	355,20	340,27	20238028	44,51	66						
29	30	367,3	352,38	20138029	16,94	68						29	30	367,30	352,38	20238029	48,00	68						
30	30	379,5	364,50	20138030	18,91	70	40	864,2	849,21	20138070	103,77	30	30	379,50	364,50	20238030	51,61	70						
31	30	391,6	376,62	20138031	19,47	72						31	30	391,60	376,62	20238031	55,05	72						
32	30	403,7	388,69	20138032	20,80	75						32	30	403,70	388,69	20238032	58,93	75						
33	30	415,8	400,81	20138033	22,18	76	40	936,9	921,98	20138076	122,54	33	30	415,80	400,81	20238033	62,94	76	40	936,90	921,98	20238076	358,88	
34	30	427,8	412,93	20138034	23,60	80	40	985,4	970,44	20138080	135,99	34	30	427,80	412,93	20238034	67,08	80						
35	30	440,0	425,04	20138035	25,06	85	40	1046,0	1031,10	20138085	153,79	35	30	440,00	425,04	20238035	71,35	85						
36	30	452,0	437,16	20138036	26,60	95	40	1167,3	1152,33	20138095	192,67	36	30	452,00	437,16	20238036	75,75	95						
37	30	464,2	449,27	20138037	28,12							37	30	464,20	449,27	20238037	80,28							
38	30	476,2	461,39	20138038	29,71							38	30	476,20	461,39	20238038	84,95							
39												39												
40	30	500,6	485,62	20138040	33,03							40	30	500,60	485,62	20238040	94,66							
41	30	512,6	497,74	20138041	34,75							41												
42	30	524,7	509,85	20138042	36,52							42												
43	30	536,8	521,97	20138043	37,00							43												

MATERIALE **FE / C45**

Per necessità specifiche chiedere.

Disegni CAD disponibili sul sito  
[www.chiaravalli.com](http://www.chiaravalli.com)

Quantità, disponibilità e prezzi  
con B2B Chiaravalli





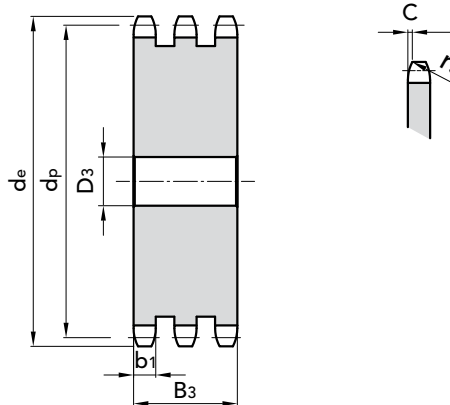
## 1" 1/2 x 1"

### CORONA

Raggio dente $r_3$	38	mm
Larghezza raggio C	4	mm
Larghezza dente corona $B_1$	24,1	mm
Larghezza dente corona $b_1$	23,6	mm
Larghezza dente corona $B_2$	72	mm
Larghezza dente corona $B_3$	120,3	mm

### CATENA

Passo	38,1	mm
Larghezza interna	25,4	mm
Rullo $\varnothing$	25,4	mm



**CORONA 1" 1/2 x 1"**  
per catene a rulli secondo  
DIN 8187 - ISO/R 606

### TRIPLE

Z	D <sub>3</sub>	d <sub>e</sub>	d <sub>p</sub>	CODICE	kg.	Z	D <sub>3</sub>	d <sub>e</sub>	d <sub>p</sub>	CODICE	kg.
8	25	115,0	99,55	20338008	3,67	44					
9	25	126,4	111,40	20338009	5,10	45	40	561,2	546,20	20338045	201,37
10	25	138,0	123,29	20338010	6,75	46					
11	25	150,0	135,21	20338011	8,42	47					
12	25	162,0	147,22	20338012	10,50	48	40	597,4	582,55	20338048	230,56
13	25	174,2	159,18	20338013	12,81	49					
14	25	186,2	171,22	20338014	15,33	50	40	621,7	606,78	20338050	251,11
15	25	198,2	183,26	20338015	18,08	51					
16	25	210,3	195,30	20338016	21,04	52					
17	25	222,3	207,34	20338017	24,22	53					
18	25	234,3	219,42	20338018	27,61	54					
19	25	246,5	231,49	20338019	31,23	55	40	682,3	667,40	20338055	265,0
20	25	258,6	243,57	20338020	35,06	56					
21	30	270,6	255,65	20338021	38,60	57	40	706,5	691,63	20338057	329,92
22	30	282,7	267,73	20338022	42,87	58					
23	30	294,8	279,80	20338023	47,36	59					
24	30	306,8	291,88	20338024	52,07	60	40	742,8	727,97	20338060	366,97
25	30	319,0	304,00	20338025	56,99	62					
26	30	331,0	316,08	20338026	62,14	64					
27	30	343,2	328,19	20338027	67,50	65					
28	30	355,2	340,27	20338028	73,08	66					
29						68					
30	40	379,5	364,50	20338030	84,90	70					
31						72					
32	40	403,7	388,69	20338032	97,59	75					
33						76	40	936,9	921,98	20338076	597,76
34						80					
35	40	440,0	425,04	20338035	118,26	85					
36						95					
37											
38	40	476,2	416,39	20338038	140,90						
39											
40	40	500,6	485,62	20338040	158,08						
41											
42											
43											

### MATERIALE FE / C45

Per necessità specifiche chiedere.

Disegni CAD disponibili sul sito  
[www.chiaravalli.com](http://www.chiaravalli.com)

Quantità, disponibilità e prezzi  
con B2B Chiaravalli





**CORONE 1" 3/4 x 1" 1/4**  
per catene a rulli secondo  
DIN 8187 - ISO/R 606

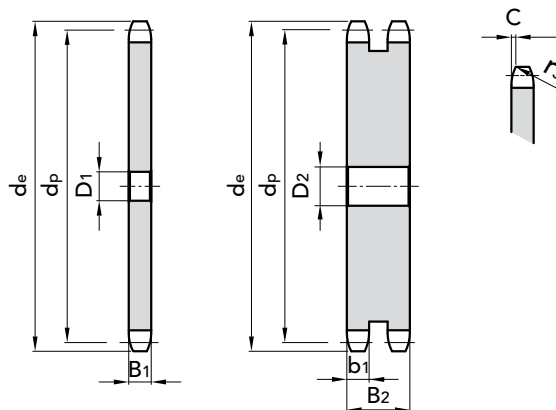
**1" 3/4 x 1" 1/4**

**CORONA**

Raggio dente $r_3$	44	mm
Larghezza raggio C	5	mm
Larghezza dente corona $B_1$	29,4	mm
Larghezza dente corona $b_1$	28,8	mm
Larghezza dente corona $B_2$	88,4	mm
Larghezza dente corona $B_3$	148	mm

**CATENA**

Passo	44,45	mm
Larghezza interna	30,99	mm
Rullo $\emptyset$	27,94	mm



SEMPlici						DOPPIE																	
Z	D <sub>1</sub>	d <sub>e</sub>	d <sub>p</sub>	CODICE	kg.	Z	D <sub>1</sub>	d <sub>e</sub>	d <sub>p</sub>	CODICE	kg.	Z	D <sub>2</sub>	d <sub>e</sub>	d <sub>p</sub>	CODICE	kg.	Z	D <sub>2</sub>	d <sub>e</sub>	d <sub>p</sub>	CODICE	kg.
8	25	132,0	116,15	20144008	1,71	60	40	869,0	849,32	20144060	126,08	8	25	132,00	116,15	20244008	4,01	60	40	869,00	849,32	20244060	365,00
9	25	148,4	129,96	20144009	2,26	76	40	1095,5	1075,62	20144076	203,89	9	25	148,40	129,96	20244009	5,48	76	40	1095,50	1075,62	20244076	600,35
10	25	162,3	143,85	20144010	2,88							10	25	162,3	143,85	20244010	7,17						
11	25	176,3	157,77	20144011	3,53							11	25	176,30	157,77	20244011	8,92						
12	25	189,5	171,74	20144012	4,29							12	25	189,50	171,74	20244012	11,04						
13	25	204,2	185,75	20144013	5,12							13	25	204,20	185,75	20244013	13,38						
14	25	218,2	199,76	20144014	6,03							14	25	218,20	199,76	20244014	15,94						
15	25	232,3	213,79	20144015	7,01							15	25	232,30	213,79	20244015	18,72						
16	30	246,3	227,84	20144016	8,02							16	30	246,30	227,84	20244016	21,71						
17	30	260,0	241,91	20144017	9,14							17	30	260,00	241,91	20244017	24,92						
18	30	274,0	255,98	20144018	10,34							18	30	274,00	255,98	20244018	28,36						
19	30	289,0	270,06	20144019	11,61							19	30	289,00	270,06	20244019	32,00						
20	30	303,0	284,15	20144020	12,95							20	30	303,00	284,15	20244020	35,87						
21	30	317,0	298,24	20144021	14,37							21	30	317,00	298,24	20244021	39,96						
22	30	331,0	312,34	20144022	15,86							22	30	331,00	312,34	20244022	44,26						
23	30	345,0	326,44	20144023	17,42							23	30	345,00	326,44	20244023	48,78						
24	30	359,0	340,55	20144024	19,05							24	30	359,00	340,55	20244024	52,85						
25	30	373,0	354,66	20144025	20,76							25	30	373,00	354,66	20244025	58,50						
26	30	387,0	368,77	20144026	22,54							26	30	387,00	368,77	20244026	63,28						
27	30	401,4	382,88	20144027	24,39							27											
28	30	416,0	397,00	20144028	26,32							28	30	416,00	397,00	20244028	74,29						
29												29											
30	30	444,0	425,24	20144030	30,38							30	30	444,00	425,24	20244030	86,17						
31												31											
32	30	472,0	453,49	20144032	34,74							32											
33												33											
34	30	500,0	481,75	20144034	39,38							34											
35	30	514,0	495,88	20144035	41,82							35	30	514,00	495,88	20244035	119,69						
36	30	529,0	510,01	20144036	44,32							36											
37	30	543,0	524,14	20144037	45,00							37											
38	30	557,0	538,27	20144038	49,55							38	30	557,00	538,27	20244038	142,42						
39												39											
40	30	585,0	566,54	20144040	55,07							40	30	585,00	566,54	20244040	158,67						
45	30	656,0	637,22	20144045	70,13							45	30	656,00	637,22	20244045	203,10						
50	30	726,0	707,91	20144050	87,01							50	30	726,00	707,91	20244050	252,99						
57	40	825,0	806,90	20144057	113,56							57	40	825,00	806,90	20244057	332,00						

MATERIALE **FE / C45**

Per necessità specifiche chiedere.

Disegni CAD disponibili sul sito  
[www.chiaravalli.com](http://www.chiaravalli.com)

Quantità, disponibilità e prezzi  
con B2B Chiaravalli





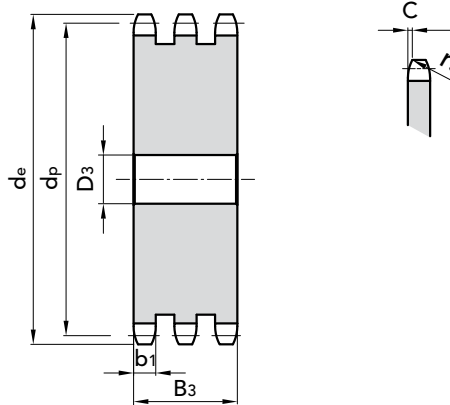
## 1" 3/4 x 1" 1/4

### CORONA

Raggio dente $r_3$	44	mm
Larghezza raggio C	5	mm
Larghezza dente corona $B_1$	29,4	mm
Larghezza dente corona $b_1$	28,8	mm
Larghezza dente corona $B_2$	88,4	mm
Larghezza dente corona $B_3$	148	mm

### CATENA

Passo	44,45	mm
Larghezza interna	30,99	mm
Rullo $\varnothing$	27,94	mm



**CORONE 1" 3/4 x 1" 1/4**  
per catene a rulli secondo  
DIN 8187 - ISO/R 606

### TRIPLE

Z	D <sub>3</sub>	d <sub>e</sub>	d <sub>p</sub>	CODICE	kg.	Z	D <sub>3</sub>	d <sub>e</sub>	d <sub>p</sub>	CODICE	kg.
8	25	132,0	116,15	20344008	6,39	60					
9	25	148,4	129,96	20344009	8,80	76	40	1095,5	1075,62	20344076	1000,97
10	25	162,3	143,85	20344010	11,56						
11	30	176,3	157,77	20344011	14,44						
12	30	189,5	171,74	20344012	17,93						
13	30	204,2	185,75	20344013	21,79						
14	30	218,2	199,76	20344014	26,02						
15	30	232,3	213,79	20344015	30,61						
16	30	246,3	227,84	20344016	35,57						
17	30	260,0	241,91	20344017	40,89						
18	30	274,0	255,98	20344018	46,58						
19	30	289,0	270,06	20344019	52,64						
20	30	303,0	284,15	20344020	59,06						
21	30	317,0	298,24	20344021	65,20						
22											
23	30	345,0	326,44	20344023	79,87						
24											
25	40	373,0	354,66	20344025	95,99						
26											
27											
28											
29											
30	40	444,0	425,24	20344030	142,70						
31											
32											
33											
34											
35											
36											
37											
38	40	557,0	538,27	20344038	236,43						
39											
40	40	585,0	566,54	20344040	263,52						
45	40	656,0	637,22	20344045	337,73						
50											
57	40	825,0	806,90	20344057	552,76						

### MATERIALE FE / C45

Per necessità specifiche chiedere.

Disegni CAD disponibili sul sito  
[www.chiaravalli.com](http://www.chiaravalli.com)

Quantità, disponibilità e prezzi  
con B2B Chiaravalli





**CORONE 2" x 1" 1/4**  
per catene a rulli secondo  
DIN 8187 - ISO/R 606

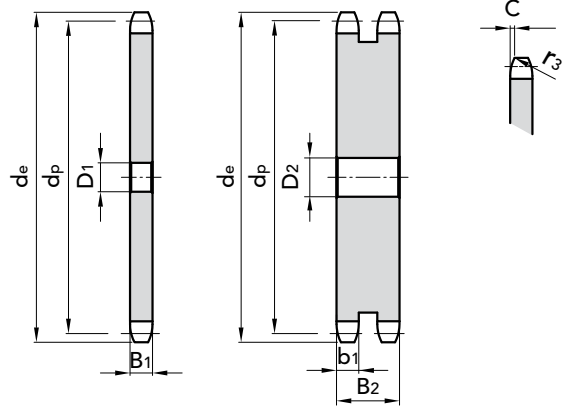
**2" x 1" 1/4**

**CORONA**

Raggio dente $r_3$	51	mm
Larghezza raggio C	5	mm
Larghezza dente corona $B_1$	29,4	mm
Larghezza dente corona $b_1$	28,8	mm
Larghezza dente corona $B_2$	87,4	mm
Larghezza dente corona $B_3$	146	mm

**CATENA**

Passo	50,8	mm
Larghezza interna	30,99	mm
Rullo $\emptyset$	29,21	mm



SEMPLICI					DOPPIE														
Z	D <sub>1</sub>	d <sub>e</sub>	d <sub>p</sub>	CODICE kg.	Z	D <sub>1</sub>	d <sub>e</sub>	d <sub>p</sub>	CODICE kg.	Z	D <sub>2</sub>	d <sub>e</sub>	d <sub>p</sub>	CODICE kg.	Z	D <sub>2</sub>	d <sub>e</sub>	d <sub>p</sub>	CODICE kg.
8	25	153,2	132,69	20150008 2,27						8	25	153,20	132,69	20250008 5,53					
9	25	169,0	148,54	20150009 2,99						9	25	169,00	148,54	20250009 7,46					
10	25	185,0	164,44	20150010 3,81						10	25	185,00	164,44	20250010 9,68					
11	30	200,8	180,34	20150011 4,67						11	30	200,80	180,34	20250011 11,86					
12	30	216,8	196,29	20150012 5,67						12	30	216,80	196,29	20250012 14,64					
13	30	232,8	212,29	20150013 6,77						13	30	232,80	212,29	20250013 17,70					
14	30	248,8	228,29	20150014 7,97						14	30	248,80	228,29	20250014 21,05					
15	30	264,8	244,30	20150015 9,26						15	30	264,80	244,30	20250015 24,68					
16	30	280,9	260,40	20150016 10,64						16	30	280,90	260,40	20250016 28,38					
17	30	296,9	276,40	20150017 12,12						17	30	296,90	276,40	20250017 32,57					
18	30	313,0	292,55	20150018 13,69						18	30	313,00	292,55	20250018 37,05					
19	30	329,1	308,66	20150019 15,36						19	30	329,10	308,66	20250019 41,80					
20	30	345,2	324,71	20150020 16,99						20	30	345,20	324,71	20250020 46,84					
21	30	361,3	340,82	20150021 18,85						21	30	361,30	340,82	20250021 52,15					
22	30	377,5	356,98	20150022 20,80						22	30	377,50	356,98	20250022 57,75					
23	30	393,6	373,08	20150023 22,85						23	30	393,60	373,08	20250023 63,63					
24	30	409,7	389,18	20150024 24,99						24	30	409,70	389,18	20250024 69,80					
25	30	425,8	405,33	20150025 27,23						25	30	425,80	405,33	20250025 76,24					
26	30	441,9	421,44	20150026 29,56						26	30	441,90	421,44	20250026 82,97					
27										27									
28	30	474,2	453,69	20150028 34,51						28	30	474,20	453,69	20250028 97,27					
29										29									
30	30	506,5	486,00	20150030 39,84						30	40	506,50	486,00	20250030 112,70					
32	30	538,8	518,28	20150032 45,54						32									
35	30	589,5	566,72	20150035 54,81						35	40	589,50	566,72	20250035 156,19					
38	30	635,5	615,14	20150038 64,93						38	40	635,50	615,14	20250038 185,67					
40	40	670,3	647,49	20150040 72,16						40	40	670,30	647,49	20250040 206,73					
45	40	751,0	728,26	20150045 91,87						45	40	751,00	728,26	20250045 265,32					
50	40	831,8	809,04	20144050 113,96						50	40	831,80	809,04	20250050 328,95					
57	40	945,0	922,17	20144057 148,86						57	40	945,00	922,17	20250057 431,27					
60	40	993,4	970,63	20144060 165,24						60	40	993,40	970,63	20250060 474,00					
76	40	1252,0	1229,28	20144076 267,00						76	40	1252,00	1229,28	20250076 757,78					

MATERIALE **FE / C45**

Per necessità specifiche chiedere.

Disegni CAD disponibili sul sito  
[www.chiaravalli.com](http://www.chiaravalli.com)

Quantità, disponibilità e prezzi  
con B2B Chiaravalli







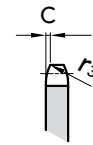
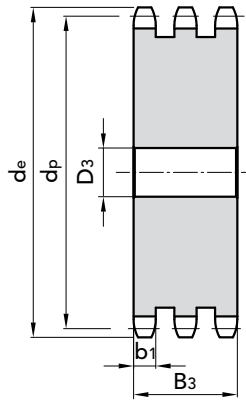
## 2" x 1" 1/4

### CORONA

Raggio dente $r_3$	51	mm
Larghezza raggio C	5	mm
Larghezza dente corona $B_1$	29,4	mm
Larghezza dente corona $b_1$	28,8	mm
Larghezza dente corona $B_2$	87,4	mm
Larghezza dente corona $B_3$	146	mm

### CATENA

Passo	50,8	mm
Larghezza interna	30,99	mm
Rullo $\varnothing$	29,21	mm



**CORONE 2" x 1" 1/4**  
per catene a rulli secondo  
DIN 8187 - ISO/R 606

### TRIPLE

Z	D <sub>3</sub>	d <sub>e</sub>	d <sub>p</sub>	CODICE	kg.
8	25	153,2	132,69	20350008	8,83
9	25	169,0	148,54	20350009	11,99
10	25	185,0	164,44	20350010	15,63
11	30	200,8	180,34	20350011	19,20
12	30	216,8	196,29	20350012	23,78
13	30	232,8	212,29	20350013	28,83
14	30	248,8	228,29	20350014	34,35
15	30	264,8	244,30	20350015	40,34
16	30	280,9	260,40	20350016	46,47
17	30	296,9	276,40	20350017	53,40
18	30	313,0	292,55	20350018	60,80
19	30	329,1	308,66	20350019	68,68
20	30	345,2	324,71	20350020	77,02
21	40	361,3	340,82	20350021	85,84
22					
23	40	393,6	373,08	20350023	104,88
24					
25	40	425,8	405,33	20350025	125,81
26					
27					
28					
29					
30	40	506,5	486,00	20350030	186,37
32					
35	40	589,5	566,72	20350035	258,69
38	40	635,5	615,14	20350038	307,73
40					
45	40	751,0	728,26	20350045	438,64
50	40	831,8	809,04	20350050	549,27
57	40	945,0	922,17	20350057	716,72
60	40	993,4	970,63	20350060	1006,0
76	40	1252,0	1229,28	20350076	1295,64

### MATERIALE FE / C45

Per necessità specifiche chiedere.

Disegni CAD disponibili sul sito  
[www.chiaravalli.com](http://www.chiaravalli.com)

Quantità, disponibilità e prezzi  
con B2B Chiaravalli





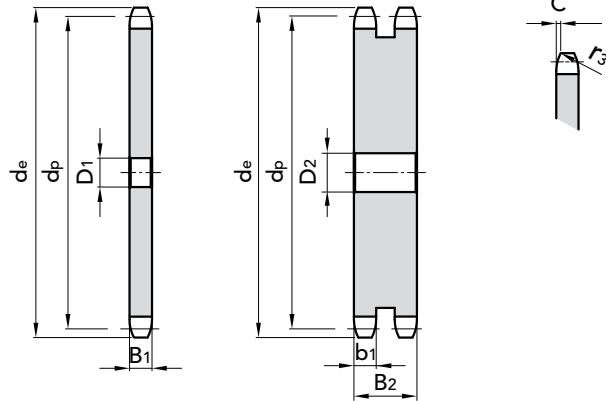
CORONE ASA 35 passo 3/8" x 3/16" per catene a rulli secondo DIN 8188 - ISO/R 606 - ANSI B 29.1

**passo 3/8" x 3/16" ASA 35**
**CORONA**

Raggio dente $r_3$	10	mm
Larghezza raggio C	1,2	mm
Larghezza dente corona $B_1$	4,4	mm
Larghezza dente corona $b_1$	4,3	mm
Larghezza dente corona $B_2$	14,4	mm

**CATENA**

Passo	9,525	mm
Larghezza interna	4,77	mm
Rullo $\varnothing$	5,08	mm


**SEMPLICI**

Z	$D_1$	$d_e$	$d_p$	CODICE	kg.
9	8	31,5	27,85	21103009	0,015
11	8	38,69	33,8	21103011	0,020
12	8	41,68	36,8	21103012	0,029
15					
16	10	53,7	48,82	21103016	0,054
18	10	59,73	54,85	21103018	0,069
20					
22	12	71,81	66,93	21103022	0,107
25					
26	12	83,9	79,02	21103026	0,150
30	12	96,0	91,12	21103030	0,250
32	12	102,06	97,09	21103032	0,290
34	12	108,11	103,23	21103034	0,310
35	12	110,2	105,3	21103035	0,320
36	12	114,2	109,29	21103036	0,340
38	12	120,2	115,34	21103038	0,360
40	12	126,3	121,40	21103040	0,385
42	12	132	127,5	21103042	0,410
44	12	138	134	21103044	0,448
45					
46	16	144	140	21103046	0,430
48	16	150,5	145,64	21103048	0,540
54	20	165	161	21103054	0,640
57	20	177,8	172,91	21103057	0,710
72	20	223	218	21103072	1,195
76					
80	20	247	242	21103080	1,400
85	25	262	257	21103085	1,710
90	25	278	273	21103090	2,000
95	25	293	289	21103095	2,150
114	25	350	346	21103114	4,860
120	20	384	380	21103120	5,420

**DOPPIE**

Z	$D_2$	$d_e$	$d_p$	CODICE	kg.
9					
11					
12					
15					
16					
18					
20					
22					
25					
26					
30	12	96,00	91,12	21203030	0,80
32					
34					
35					
36					
38	14	120,22	115,34	21203038	1,00
40					
42					
44	16	138,9	133,5	21203044	1,20
45	16	141,43	136,55	21203045	1,47
46					
48					
54	16	169,3	163,8	21203054	2,162
57	16	177,79	172,91	21203057	2,35
70	16	217,8	212,3	21203070	3,70
72					
76	16	235,37	230,49	21203076	4,10

**MATERIALE FE / C45**

Per necessità specifiche chiedere.

 Disegni CAD disponibili sul sito  
[www.chiaravalli.com](http://www.chiaravalli.com)

 Quantità, disponibilità e prezzi  
 con B2B Chiaravalli



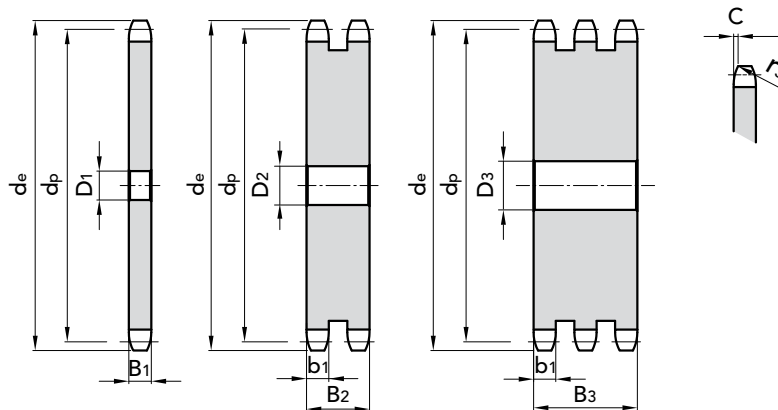

## passo 1/2" x 5/16" ASA 40

### CORONA

Raggio dente $r_3$	13,5	mm
Larghezza raggio C	1,6	mm
Larghezza dente corona $B_1$	7,4	mm
Larghezza dente corona $b_1$	7,2	mm
Larghezza dente corona $B_2$	21,6	mm
Larghezza dente corona $B_3$	36	mm

### CATENA

Passo	12,7	mm
Larghezza interna	7,94	mm
Rullo $\varnothing$	7,94	mm



### SEMPLICI

Z	D <sub>1</sub>	d <sub>e</sub>	d <sub>p</sub>	CODICE	kg.
8	8	38	33	21104008	0,035
9					
11					
12					
13	10	59,63	52,68	21104013	0,102
14					
17					
19					
20	12	87,7	81,2	21104020	0,260
21					
22	12	95,8	89,24	21104022	0,315
23	12	99,85	93,05	21104023	0,340
25	14	107,88	101,34	21104025	0,400
26	14	111,94	105,36	21104026	0,500
30					
31					
32					
33	16	140,62	133,4	21104033	0,730
36	16	152,28	145,72	21104036	0,880
37	16	156,3	149,8	21104037	1,045
38	16	160,4	153,79	21104038	1,080
40					
41	20	173,04	165,91	21104041	1,146
42	20	176,5	169,94	21104042	1,200
44	20	185,19	178,0	21104044	1,325
45	20	188,62	181,95	21104045	1,390
46					
48	20	200,7	194,18	21104048	1,588
50	20	209,48	202,3	21104050	1,727
54	20	226,0	219,0	21104054	2,024
57	20	237,1	230,54	21104057	2,210
72	20	207,6	290,2	21104072	3,630
76	20	313,9	307,32	21104076	4,100
80	20	331	324	21104080	4,489
85	20	350,2	343,7	21104085	5,095
90					
95	20	390,7	384,11	21104095	6,387
114	20	465	461	21104114	9,240

### DOPPIE

Z	D <sub>1</sub>	d <sub>e</sub>	d <sub>p</sub>	CODICE	kg.
8					
9					
11					
12	10	41,7	36,8	21204012	0,210
13					
14					
17					
19					
20					
21					
22					
23					
25					
26					
30					
31					
32					
33					
36	20	152,28	145,7	21204036	2,300
37					
38	20	160,4	153,79	21204038	2,780
40	20	168,43	161,87	21204040	3,000
41					
42					
44	20	185,19	178,0	21204044	3,600
45	20	188,62	181,95	21204045	3,900
46					
48					
50	20	209,48	202,3	21204050	4,980
54					
57	25	237,10	230,54	21204057	5,450
72					
76	25	313,9	307,32	21204076	12,00
80					
85					
90					
95	25	390,67	384,11	21204095	22,40
114	25	467,4	461	21204114	31,85

### TRIPLE

Z	D <sub>1</sub>	d <sub>e</sub>	d <sub>p</sub>	CODICE	kg.
8					
9					
11					
12					
13					
14					
17					
19					
20	16	128,06	121,50	21304020	1,10
21					
22					
23					
25					
26					
30	20	96,0	91,12	21304030	3,00
31					
32					
33					
36					
37					
38	25	160,4	153,79	21304038	4,00
40	25	176,50	169,94	21304040	4,84
41					
42					
44					
45	25	188,62	181,95	21304045	6,00
46					
48	25	200,7	194,18	21304048	7,00
50	25	209,48	202,3	21304050	8,19
54					
57	25	237,1	230,54	21304057	10,00
72					
76	25	313,9	307,32	21304076	20,00
80					
85					
90					
95					
114					

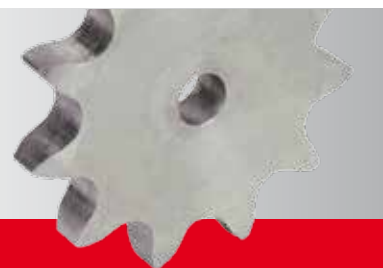
ASA 40 passo 1/2" x 5/16" per catene a rulli secondo DIN 8188 - ISO/R 606 - ANSI B 29.1

### MATERIALE FE / C45

Per necessità specifiche chiedere.

Disegni CAD disponibili sul sito  
[www.chiaravalli.com](http://www.chiaravalli.com)

Quantità, disponibilità e prezzi  
con B2B Chiaravalli





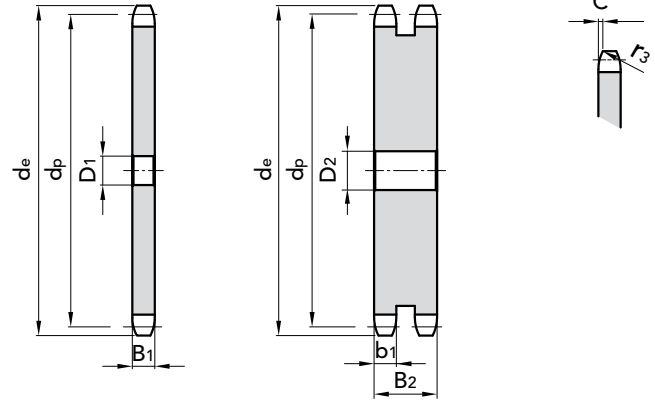
passo 5/8" x 3/8"

### CORONA

Raggio dente $r_3$	17	mm
Larghezza raggio C	2	mm
Larghezza dente corona $B_1$	9	mm
Larghezza dente corona $b_1$	8,8	mm
Larghezza dente corona $B_2$	26,9	mm
Larghezza dente corona $B_3$	45	mm

### CATENA

Passo	15,875mm
Larghezza interna	9,52 mm
Rullo $\varnothing$	10,16 mm



### SEMPLICI

### DOPPIE

Z	D <sub>1</sub>	d <sub>e</sub>	d <sub>p</sub>	CODICE	kg.	Z	D <sub>1</sub>	d <sub>e</sub>	d <sub>p</sub>	CODICE	kg.	Z	D <sub>1</sub>	d <sub>e</sub>	d <sub>p</sub>	CODICE	kg.	
8	10	47,0	41,48	20115008	0,06	44	20	230,0	222,53	20115044	2,63	8						
9	10	52,6	46,42	20115009	0,09	45	20	235,0	227,58	20115045	2,75	9						
10	10	57,5	51,37	20115010	0,11	46	20	240,1	232,63	20115046	2,88	10						
11	10	63,0	56,34	20115011	0,14	47	20	245,1	237,68	20115047	3,01	11						
12	10	68,0	61,34	20115012	0,17	48	20	250,2	242,73	20115048	3,14	12	14	68,00	61,34	21205012	0,40	48
13	10	73,0	66,32	20115013	0,20	49	20	255,2	247,78	20115049	3,28	13	14	73,00	66,32	21205013	0,60	49
14	10	78,0	71,34	20115014	0,23	50	20	260,3	252,82	20115050	3,42	14						
15	10	83,0	76,36	20115015	0,27	51	20	265,3	257,87	20115051	3,56	15						
16	12	88,0	81,37	20115016	0,31	52	20	270,4	262,92	20115052	3,70	16	16	88,00	81,37	21205016	0,80	52
17	12	93,0	86,39	20115017	0,36	53	20	275,4	267,97	20115053	3,85	17						
18	12	98,0	91,42	20115018	0,41	54	20	280,5	273,03	20115054	4,00	18						
19	12	103,3	96,45	20115019	0,46	55	20	285,5	278,08	20115055	4,15	19						
20	12	108,4	101,49	20115020	0,51	56	25	290,6	283,13	20115056	4,30	20						
21	12	113,4	106,52	20115021	0,57	57	25	296,0	288,18	20115057	4,46	21						
22	12	118,0	111,55	20115022	0,62	58	25	300,7	293,23	20115058	4,62	22						
23	12	123,4	116,58	20115023	0,69	59	25	305,7	298,27	20115060	4,80	23	16	123,40	116,58	21205023	1,10	59
24	12	128,3	121,62	20115024	0,75	60	25	310,8	303,32	20115062	4,95	24						
25	12	134,0	126,66	20115025	0,82	62	25	321,4	313,43	20115064	5,30	25						
26	16	139,0	131,70	20115026	0,88	64	25	331,5	323,53	20115065	5,65	26	16	139,00	131,70	21205026	2,30	64
27	16	144,0	136,75	20115027	0,95	65	25	336,5	328,58	20115068	5,83	27	16	144,00	136,75	21205027	2,60	65
28	16	148,7	141,78	20115028	1,03	66	25	341,6	333,63	20115070	6,00	28						
29	16	153,8	146,83	20115029	1,11	68	25	351,7	343,74	20115072	6,40	29						
30	16	158,8	151,87	20115030	1,19	70	25	361,8	353,84	20115075	6,79	30	20	158,80	151,87	21205030	3,27	70
31	16	163,9	156,92	20115031	1,28	72	25	371,9	363,95	20115076	7,19	31						
32	16	168,9	161,95	20115032	1,36	75	25	387,1	379,09	20115078	7,81	32						
33	16	174,5	167,00	20115033	1,45	76	25	392,1	384,16	20115080	8,02	33						
34	16	179,0	172,05	20115034	1,55	78	25	402,2	394,25	20115085	8,46	34						
35	16	184,1	177,10	20115035	1,64	80	25	412,3	404,35	20115090	8,91	35						
36	20	189,1	182,15	20115036	1,73	85	30	437,6	429,62	20115095	10,06	36						
37	20	194,2	187,20	20115037	1,83	90	30	462,8	454,88	20115100	11,30	37						
38	20	199,2	192,24	20115038	1,94	95	30	488,5	480,14	20115110	12,61	38	20	199,20	192,24	21205038	5,30	95
39	20	104,2	197,29	20115039	2,05	100	30	513,4	505,39	20115114	13,99	39						
40	20	209,3	202,34	20115040	2,16	110	30	563,9	555,92	20115120	17,00	40						
41	20	214,8	207,39	20115041	2,29	114	30	584,1	576,13	20115125	19,99	41						
42	20	219,9	212,44	20115042	2,39	120	30	614,4	606,45	20115008	22,17	42						
43	20	224,9	217,49	20115043	2,50	125	30	639,7	631,51	20115009	24,08	43						

### MATERIALE FE / C45

Per necessità specifiche chiedere.

Disegni CAD disponibili sul sito  
[www.chiaravalli.com](http://www.chiaravalli.com)

Quantità, disponibilità e prezzi  
 con B2B Chiaravalli





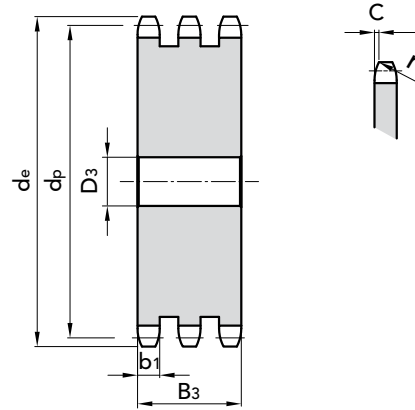
## passo 5/8" x 3/8"

### CORONA

Raggio dente $r_3$	17	mm
Larghezza raggio C	2	mm
Larghezza dente corona $B_1$	9	mm
Larghezza dente corona $b_1$	8,8	mm
Larghezza dente corona $B_2$	26,9	mm
Larghezza dente corona $B_3$	45	mm

### CATENA

Passo	15,875mm
Larghezza interna	9,52 mm
Rullo $\varnothing$	10,16 mm



### TRIPLE

Z	D <sub>1</sub>	d <sub>e</sub>	d <sub>p</sub>	CODICE	kg.	Z	D <sub>1</sub>	d <sub>e</sub>	d <sub>p</sub>	CODICE	kg.
---	----------------	----------------	----------------	--------	-----	---	----------------	----------------	----------------	--------	-----

8						44	25	230,0	222,53	21305044	13,00
9						45	25	235,0	227,58	21305045	15,00
10						46					
11						47					
12						48					
13						49					
14						50	25	260,3	252,82	21305050	16,03
15						51					
16						52					
17						53					
18						54					
19						55					
20						56					
21						57	25	296,0	288,18	21305057	20,95
22						58					
23						59					
24						60					
25	20	134,0	126,66	21305025	3,7	62					
26						64					
27						65					
28						66					
29						68					
30	20	158,8	151,87	21305030	5,00	70					
31						72					
32	20	168,9	161,95	21305032	6,10	75					
33						76	30	392,1	384,16	21305076	25,00
34						78					
35						80					
36						85					
37						90					
38	25	199,2	192,24	21305038	8,90	95					
39						100					
40						110					
41	25	214,8	207,39	21305041	10,67	114					
42	25	219,9	212,44	21305042	12,00	120					
43						125					

MATERIALE **FE / C45**

Per necessità specifiche chiedere.

Disegni CAD disponibili sul sito  
[www.chiaravalli.com](http://www.chiaravalli.com)

Quantità, disponibilità e prezzi  
con B2B Chiaravalli



CORONE ASA 50 passo 5/8" x 3/8" per catene a rulli secondo DIN 8188 - ISO/R 606 - ANSI B 29.1





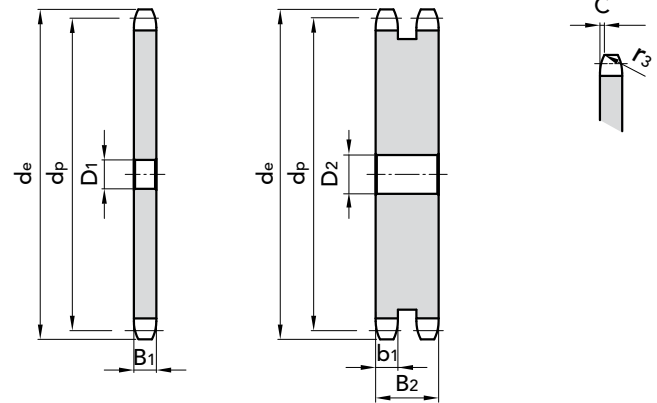
passo 3/4" x 1/2"

**CORONA**

Raggio dente $r_3$	20	mm
Larghezza raggio C	2,4	mm
Larghezza dente corona $B_1$	12,0	mm
Larghezza dente corona $b_1$	11,8	mm
Larghezza dente corona $B_2$	34,6	mm
Larghezza dente corona $B_3$	57,4	mm

**CATENA**

Passo	19,05	mm
Larghezza interna	12,7	mm
Rullo $\emptyset$	11,91	mm



**SEMPLICI**

**DOPPIE**

Z	D <sub>1</sub>	d <sub>e</sub>	d <sub>p</sub>	CODICE	kg.	Z	D <sub>1</sub>	d <sub>e</sub>	d <sub>p</sub>	CODICE	kg.
8						8					
9	10	64,0	55,0	21106009	0,167	9					
10	12	71,54	61,65	21106010	0,210	10	16	71,54	61,65	21206010	0,50
11						11					
12	12	83,5	73,6	21106012	0,314	12					
13	14	89,6	79,6	21106013	0,375	13					
14	14	95,5	85,7	21106014	0,440	14					
15						15	16	101,52	91,12	21206015	1,31
16						16					
17	16	113,6	103,7	21106017	0,670	17					
18						18					
21						21	20	137,11	127,46	21206021	2,84
26						26					
27						27					
28						28	20	180,03	170,1	21206028	4,00
30						30					
31	20	196,7	188,3	21106031	2,350	31					
32						32					
33	20	208,9	200,5	21106033	2,600	33					
34	20	204,7	206,7	21106034	2,840	34					
38	20	240,6	230,69	21106038	3,200	38	25	240,60	230,69	21206038	10,60
40	20	252,7	242,80	21106040	3,950	40	25	252,70	242,80	21206040	11,20
42	25	265	255	21106042	4,350	42					
44	25	277,2	267,3	21106044	4,800	44					
45						45	25	282,98	273,09	21206045	14,20
46	25	289,4	279,3	21106046	5,240	46					
48	25	301,2	291,27	21106048	5,770	48					
57	25	355,7	345,81	21106057	8,010	57	25	355,70	345,81	21206057	23,65
72	30	447	437	21106072	13,09	72					
76	30	470,87	460,98	21106076	14,62	76	30	470,87	460,98	21206076	45,00
						90					
						95	30	586,06	576,17	21206095	66,90

MATERIALE **FE / C45**

Per necessità specifiche chiedere.

Disegni CAD disponibili sul sito  
[www.chiaravalli.com](http://www.chiaravalli.com)

Quantità, disponibilità e prezzi  
 con B2B Chiaravalli





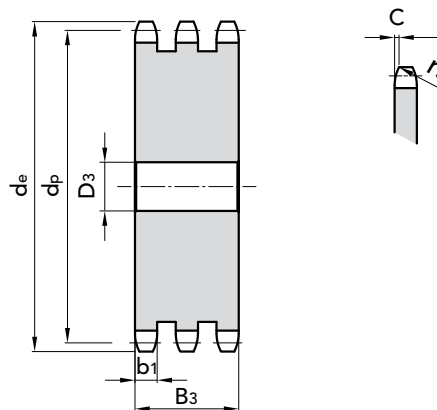
## passo 3/4" x 1/2"

### CORONA

Raggio dente $r_3$	20	mm
Larghezza raggio C	2,4	mm
Larghezza dente corona $B_1$	12,0	mm
Larghezza dente corona $b_1$	11,8	mm
Larghezza dente corona $B_2$	34,6	mm
Larghezza dente corona $B_3$	57,4	mm

### CATENA

Passo	19,05	mm
Larghezza interna	12,7	mm
Rullo $\varnothing$	11,91	mm



### TRIPLE

Z	D <sub>1</sub>	d <sub>e</sub>	d <sub>p</sub>	CODICE	kg.
---	----------------	----------------	----------------	--------	-----

13	16	89,60	79,60	21306013	1,00
14	16	95,5	85,70	21306014	1,91
18	20	119,60	109,71	21306018	3,31
19					
20	20	131,67	121,78	21306020	4,00
21	20	137,11	127,46	21306021	5,00
22	20	142,21	133,86	21306022	6,00
30	20	192,14	182,25	21306030	10,0
32					
38	25	240,6	230,69	21306038	13,00
40					
45	25	282,98	273,09	21306045	24,00
48	25	301,2	291,27	21306048	26,00
57	30	355,70	345,81	21306057	37,57
76	30	470,87	460,98	21306076	70,32
95					

MATERIALE **FE / C45**

Per necessità specifiche chiedere.

Disegni CAD disponibili sul sito  
[www.chiaravalli.com](http://www.chiaravalli.com)

Quantità, disponibilità e prezzi  
con B2B Chiaravalli



CORONE ASA 60 passo 3/4" x 1/2" per catene a rulli secondo DIN 8188 - ISO/R 606 - ANSI B 29.1



CORONE ASA 80 passo 1" x 5/8" per catene a rulli secondo DIN 8188 - ISO/R 606 - ANSI B 29.1

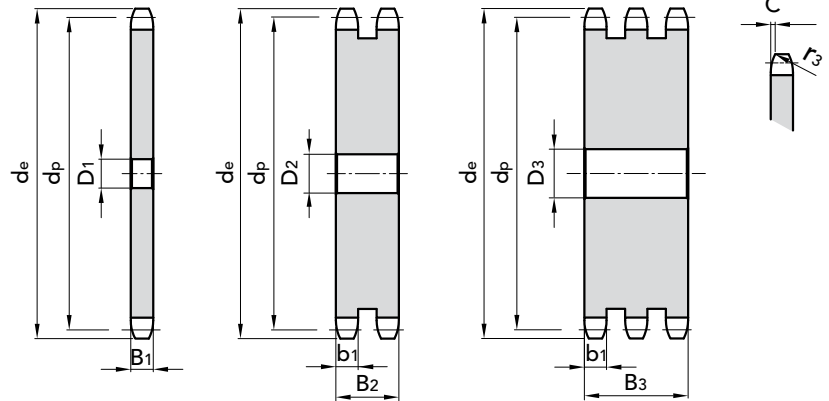
passo 1" x 5/8"

**CORONA**

Raggio dente $r_3$	27	mm
Larghezza raggio C	3,2	mm
Larghezza dente corona $B_1$	15,0	mm
Larghezza dente corona $b_1$	14,7	mm
Larghezza dente corona $B_2$	44,0	mm
Larghezza dente corona $B_3$	73,3	mm

**CATENA**

Passo	25,4	mm
Larghezza interna	15,88	mm
Rullo $\varnothing$	15,88	mm


**SEMPLICI**

Z	D <sub>1</sub>	d <sub>e</sub>	d <sub>p</sub>	CODICE	kg.
9	15	85,8	82,19	21108009	0,30
10	15	95,3	82,79	21108010	0,40
11	15	103,3	90,14	21108011	0,60
12	15	111,3	98,14	21108012	0,68
13	15	119,3	106,12	21108013	0,75
14	15	127,3	114,15	21108014	0,98
15	15	135,3	122,17	21108015	1,10
16	19	143,3	130,20	21108016	1,35
17	19	151,4	138,22	21108017	1,49
18	19	159,4	146,28	21108018	1,90
19	19	167,4	154,33	21108019	2,00
20	19	175,5	162,38	21108020	2,25
21	20	183,5	170,43	21108021	2,60
22	20	191,6	178,48	21108022	2,90
23	20	199,7	186,53	21108023	3,10
24	20	207,7	194,59	21108024	3,30
25	20	215,8	202,66	21108025	3,50
26	20	223,8	210,72	21108026	3,70
27	20	231,9	218,79	21108027	3,93
28	20	240,0	226,85	21108028	4,20
29					
30	20	256,1	243,00	21108030	4,60
31					
32	25	272,26	259,13	21108032	5,50
34					
35	25	296,48	283,36	21108035	7,00
38	25	320,70	307,59	21108038	8,00
39	25	327,2	315,6	21108039	8,70
41					
45	25	377,24	364,12	21108045	12,00
48					
50	25	417,64	404,52	21108050	14,00
54					
57	25	474,20	461,08	21108057	22,00
72					
76	25	627,80	614,64	21108076	30,00
80	30	660,7	646,96	21108080	34,00
90					

**DOPPIE**

Z	D <sub>1</sub>	d <sub>e</sub>	d <sub>p</sub>	CODICE	kg.
9					
10					
11					
12					
13	20	119,26	106,12	21208013	2,00
14	20	127,27	114,15	21208014	2,59
15	20	135,29	122,17	21208015	3,50
16					
17					
18					
19					
20					
21					
22					
23					
24					
25	25	215,78	202,66	21208025	9,20
26					
27					
28					
29					
30	25	256,12	243,00	21208030	13,85
31					
32	25	272,26	259,13	21208032	15,80
34	25	286,9	275,28	21208034	17,00
35					
38	25	320,70	307,59	21208038	22,77
39					
41					
45	25	377,24	364,12	21208045	32,50
48	25	402,1	388,36	21208048	38,00
50					
54					
57	25	474,20	461,08	21208057	52,75
72					
76	25	627,80	614,64	21208076	90,00
80					
90	30	741,6	727,81	21208090	135,00

**TRIPLE**

Z	D <sub>1</sub>	d <sub>e</sub>	d <sub>p</sub>	CODICE	kg.
9					
10					
11					
12					
13					
14					
15	25	135,3	122,17	21308015	4,90
16					
17					
18					
19					
20					
21					
22					
23					
24					
25	30	215,8	202,66	21308025	15,20
26	30	223,8	210,72	21308026	16,00
27	30	231,9	218,79	21308027	18,00
28					
29					
30	30	256,1	243,00	21308030	27,63
31					
32					
34					
35					
38	30	320,70	307,59	21308038	37,70
39					
40	30	335,3	323,73	21308040	41,80
45	30	377,24	364,12	21308045	53,63
48					
50					
54					
57	40	474,20	461,08	21308057	80,00
72					
76	40	627,80	614,64	21308076	160,00
80					
90					

**MATERIALE FE / C45**

Per necessità specifiche chiedere.

 Disegni CAD disponibili sul sito  
[www.chiaravalli.com](http://www.chiaravalli.com)

 Quantità, disponibilità e prezzi  
 con B2B Chiaravalli



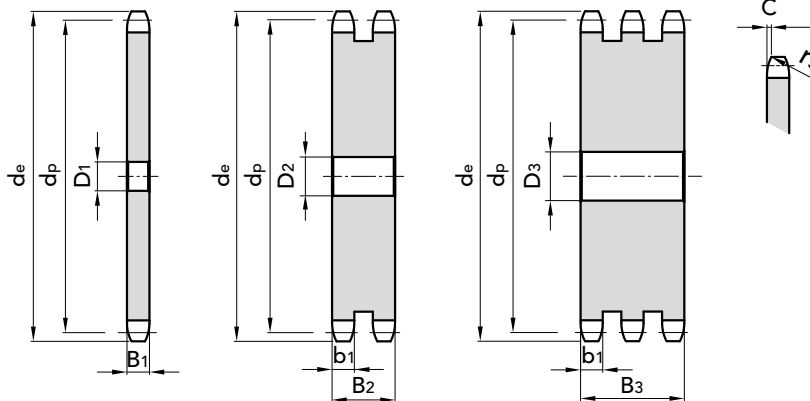

## passo 1" 1/4 x 3/4"

### CORONA

Raggio dente $r_3$	33,5	mm
Larghezza raggio C	4	mm
Larghezza dente corona $B_1$	18,0	mm
Larghezza dente corona $b_1$	17,7	mm
Larghezza dente corona $B_2$	53,5	mm
Larghezza dente corona $B_3$	89,2	mm

### CATENA

Passo	31,75	mm
Larghezza interna	19,05	mm
Rullo $\varnothing$	19,05	mm



### SEMPLICI

Z	D <sub>1</sub>	d <sub>e</sub>	d <sub>p</sub>	CODICE	kg.
8	16	98,1	82,96		
9	16	108,0	92,84		
10	16	117,9	102,74	21110010	1,29
11	16	127,8	112,68		
12	20	137,8	122,68	21110012	2,00
13	20	147,8	132,65		
14	20	157,8	142,68		
15	20	167,9	152,72	21110015	2,30
16	25	177,9	162,75		
17	25	187,9	172,78		
18	25	198,0	182,85		
19	25	208,1	192,91		
20	25	218,1	202,95	21110020	4,50
21	25	228,2	213,04		
22	25	238,3	223,11	21110022	4,76
23	25	248,3	233,17		
24	25	258,4	243,23	21110024	5,61
25	25	268,5	253,33	21110025	6,05
26	25	278,6	263,40		
27	25	289,6	273,40		
28	25	299,7	283,56	21110028	7,00
29	25	309,8	293,65		
30	25	319,9	303,75	21110030	9,45
31					
32	25	340,1	323,91	21110032	10,25
33					
34					
35	25	370,4	354,20	21110035	16,00
36					
37					
38	25	400,6	384,49	21110038	18,00
39					
40					
42					
45	30	471,3	455,17	21110045	21,45
50					
57	30	592,5	576,36	21110057	25,00

### DOPPIE

Z	D <sub>1</sub>	d <sub>e</sub>	d <sub>p</sub>	CODICE	kg.
8					
9					
10					
11					
12					
13					
14					
15					
16					
17					
18					
19					
20					
21					
22					
23					
24	25	258,40	243,23	21210024	16,50
25	25	268,50	253,33	21210025	18,00
26					
27					
28					
29					
30	25	319,9	303,75	21210030	27,00
31					
32					
33					
34					
35					
36					
37					
38	30	400,6	384,49	21210038	35,00
39					
40					
42	30	440,8	424,88	21210042	45,00
45	30	471,3	455,17	21210045	62,15
50					
57	30	592,5	576,36	21210057	102,00

### TRIPLE

Z	D <sub>1</sub>	d <sub>e</sub>	d <sub>p</sub>	CODICE	kg.
8					
9					
10					
11					
12	20	137,8	122,68	21310012	5,65
13					
14	30	157,8	142,68	21310014	8,00
15	25	167,9	152,72	21310015	9,61
16					
17					
18					
19	25	208,1	192,91	21310019	16,08
20					
21					
22					
23					
24					
25	25	268,5	253,33	21310025	20,00
26					
27					
28					
29					
30	25	319,9	303,75	21310030	43,96
31					
32					
33					
34					
35					
36					
37					
38					
39					
40	30	420,8	404,68	21310040	65,00
42					
45					
50					
57					

### MATERIALE FE / C45

Per necessità specifiche chiedere.

Disegni CAD disponibili sul sito  
[www.chiaravalli.com](http://www.chiaravalli.com)

Quantità, disponibilità e prezzi  
con B2B Chiaravalli



CORONE ASA 100 passo 1" 1/4 x 3/4" per catene a rulli secondo DIN 8188 - ISO/R 606 - ANSI B 29.1



CORONE ASA 120 passo 1"1/2 x 1" per catene a rulli secondo DIN 8188 - ISO/R 606 - ANSI B 29.1

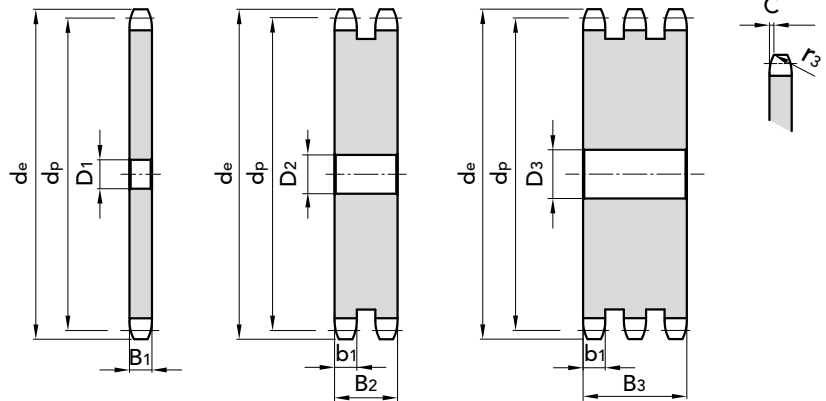
## passo 1" 1/2 x 1"

**CORONA**

Raggio dente $r_3$	40,5	mm
Larghezza raggio C	4,8	mm
Larghezza dente corona $B_1$	24,1	mm
Larghezza dente corona $b_1$	23,6	mm
Larghezza dente corona $B_2$	69,0	mm

**CATENA**

Passo	38,1	mm
Larghezza interna	25,4	mm
Rullo $\varnothing$	22,22	mm


**SEMPLICI**

Z	D <sub>1</sub>	d <sub>e</sub>	d <sub>p</sub>	CODICE	kg.
8					
9					
10					
11					
13					
14					
16	25	214,77	195,29	21112016	4,70
17	25	226,83	207,35	21112017	5,30
18	25	238,89	219,41	21112018	6,00
19					
20	25	263,03	243,55	21112020	7,70
21					
22					
23					
24					
25	25	323,47	303,99	21112025	12,02
30	30	383,97	364,49	21112030	17,50
32	30	408,19	388,71	21112032	20,60
35					
38	30	480,85	461,37	21112038	28,00
41	30	513,5	497,74	21112041	33,85
42					
45	30	565,67	546,19	21112045	42,00
54	30	671	655,25	21112054	72,00
57					
76	40	931	921,98	21112076	120,00

**DOPPIE**

Z	D <sub>1</sub>	d <sub>e</sub>	d <sub>p</sub>	CODICE	kg.
8					
9					
10	25	142,77	123,29	21212010	6,00
11					
13					
14	25	190,7	171,22	21212014	8,00
16					
17	25	226,83	207,35	21212017	14,37
18	25	238,89	219,41	21212018	16,30
19					
20	25	263,03	243,55	21212020	20,00
21	25	270,6	255,65	21212021	23,75
22					
23	25	294,8	279,8	21212023	29,03
24	25	306,8	291,88	21212024	32,9
25	25	323,47	303,99	21212025	33,50
30	30	383,97	364,49	21212030	49,10
32					
35					
38	30	480,85	461,37	21212038	81,45
41					
42					
45	40	565,67	546,19	21212045	115,00
54					
57	40	711,1	691,62	21212057	188,90
76					

Disegni CAD disponibili sul sito  
[www.chiaravalli.com](http://www.chiaravalli.com)

**Tutte le dentature eliminate sono disponibili fino ad esaurimento.**

A richiesta della spett. Clientela si eseguono dentature e passi nei profili ASA non indicati nel presente catalogo in base a consuntivo.

**MATERIALE FE / C45**

Per necessità specifiche chiedere.

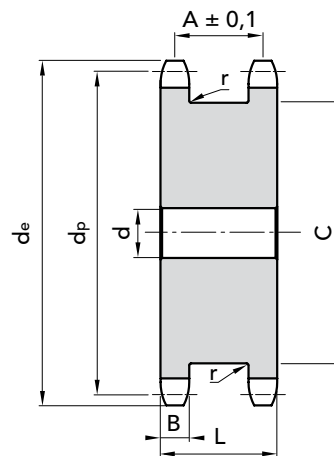
**Quantità, disponibilità e prezzi con B2B Chiaravalli**







MATERIALE **C45 UNI 7845**



CORONE DOPPIE PER DUE CATENE SEMPLICI

2

TIPO	Z	CODICE	de	dp	d	A	B h14	C max	L	r	Kg
<b>3/8" x 7/32"</b> R. 6.35 06 B-1	13	23209013	43,45	39,8	10	20,3	5,3	28	25,5	0,4	0,14
	15	23209015	49,46	45,81	10	20,3	5,3	34	25,5	0,4	0,20
	17	23209017	55,49	51,84	12	20,3	5,3	40	25,5	0,4	0,26
	18	23209018	58,50	54,85	12	20,3	5,3	43	25,5	0,4	0,30
	19	23209019	61,52	57,87	12	20,3	5,3	46	25,5	0,4	0,34
	20	23209020	54,3	60,89	12	20,3	5,3	49	25,5	0,4	0,38
	21	23209021	67,56	63,91	15	20,3	5,3	52	25,5	0,4	0,43
	23	23209023	73,6	69,95	15	20,3	5,3	59	25,5	0,4	0,54
25	23209025	79,65	76	15	20,3	5,3	65	25,5	0,4	0,65	
<b>1/2" x 5/16"</b> R. 8.51 08 B-1	13	23212013	57,40	53,06	12	24,8	7,2	37	32	0,6	0,27
	15	23212015	65,57	61,08	12	24,8	7,2	45	32	0,6	0,47
	17	23212017	73,61	69,11	12	24,8	7,2	53	32	0,6	0,64
	18	23212018	77,8	73,14	12	24,8	7,2	57	32	0,6	0,73
	19	23212019	81,65	77,16	12	24,8	7,2	62	32	0,6	0,84
	20	23212020	85,8	81,19	12	24,8	7,2	65	32	0,6	0,93
	21	23212021	89,7	85,21	15	24,8	7,2	70	32	0,6	1,03
	23	23212023	98,02	93,27	15	24,8	7,2	78	32	0,6	1,28
25	23212025	105,82	101,33	15	24,8	7,2	86	32	0,6	1,54	
<b>5/8" x 3/8"</b> R. 10.16 10 B-1	13	23215013	73,17	66,33	15	27,9	9,1	48	37	0,6	0,62
	15	23215015	83,19	76,35	15	27,9	9,1	58	37	0,6	0,87
	17	23215017	93,23	86,39	15	27,9	9,1	68	37	0,6	1,17
	18	23215018	93,26	91,42	15	27,9	9,1	72	37	0,6	1,34
	19	23215019	103,29	96,45	15	27,9	9,1	79	37	0,6	1,49
	20	23215020	108,4	101,49	19	27,9	9,1	82	37	0,6	1,68
	21	23215021	113,35	106,51	19	27,9	9,1	89	37	0,6	1,88
	23	23215023	123,43	116,59	19	27,9	9,1	99	37	0,6	2,3
	25	23215025	133,5	126,66	19	27,9	9,1	109	37	0,6	2,77

MATERIALE **C45 UNI 7845**

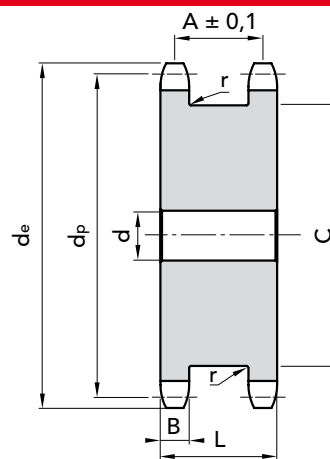


Disegni CAD disponibili sul sito  
[www.chiaravalli.com](http://www.chiaravalli.com)

Quantità, disponibilità e prezzi  
con B2B Chiaravalli



MATERIALE C45 UNI 7845



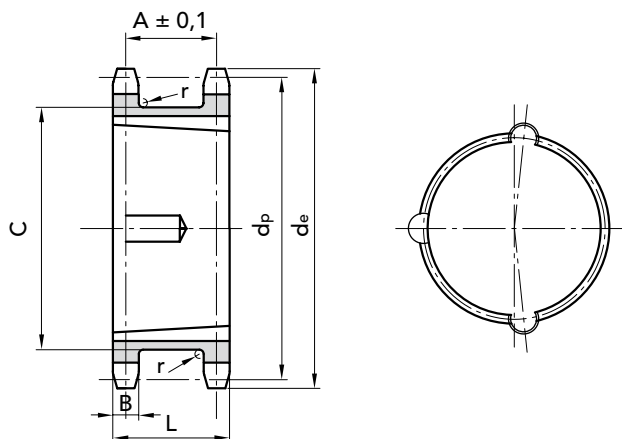
TIPO	Z	CODICE	de	dp	d	A	B h14	C max	L	r	Kg
<b>3/4" x 7/16"</b> <b>R. 12.07</b> <b>12 B-1</b>	13	23219013	87,13	76,9	20	33,9	11,1	59	45	0,6	0,91
	15	23219015	99,16	91,63	20	33,9	11,1	71	45	0,6	1,30
	17	23219017	111,2	103,67	20	33,9	11,1	83	45	0,6	2,12
	18	23219018	117,23	109,71	20	33,9	11,1	88	45	0,6	2,42
	19	23219019	123,27	115,74	20	33,9	11,1	95	45	0,6	2,75
	20	23219020	129,31	121,78	20	33,9	11,1	101	45	0,6	3,09
	21	23219021	135,35	127,82	20	33,9	11,1	107	45	0,6	3,42
	23	23219023	147,43	139,9	20	33,9	11,1	119	45	0,6	4,21
	25	23219025	159,52	151,99	24	33,9	11,1	131	45	0,6	5,07
<b>1" x 17.02</b> <b>R. 15.88</b> <b>16 B-1</b>	13	23225013	117,26	106,14	24	47,8	16,2	78	64	0,8	3,14
	15	23225015	133,29	122,17	24	47,8	16,2	95	64	0,8	4,44
	17	23225017	149,35	138,23	24	47,8	16,2	111	64	0,8	5,09
	18	23225018	157,39	146,28	24	47,8	16,2	119	64	0,8	5,90
	19	23225019	165,44	154,32	24	47,8	16,2	127	64	0,8	6,70
	20	23225020	173,49	162,38	24	47,8	16,2	135	64	0,8	7,53
	21	23225021	181,54	170,42	24	47,8	16,2	143	64	0,8	9,48
	23	23225023	197,66	186,54	24	47,8	16,2	160	64	0,8	10,0
	25	23225025	213,78	202,66	24	47,8	16,2	176	64	0,8	11,0

MATERIALE C45 UNI 7845

Disegni CAD disponibili sul sito  
[www.chiaravalli.com](http://www.chiaravalli.com)Quantità, disponibilità e prezzi  
con B2B Chiaravalli



## TAPER LOCK® SENZA BUSSOLA CONICA



TIPO	Z	CODICE	bussola	de	dp	A	B h14	C max	L	r	Kg
1/2" x 5/16" R. 8.51 08 B-1	15	27212015	1008	65,57	61,08	24,8	7,2	45	32	0,6	0,47
	17	27212017	1210	73,61	69,12	24,8	7,2	53	32	0,6	0,64
	18	27212018	1210	78	73,14	24,8	7,2	57	32	0,6	0,73
	19	27212019	1210	81,65	77,16	24,8	7,2	62	32	0,6	0,84
	20	27212020	1610	86	81,19	24,8	7,2	65	32	0,6	0,93
	21	27212021	1610	89,7	85,21	24,8	7,2	70	32	0,6	1,03
	23	27212023	1610	97,76	93,27	24,8	7,2	78	32	0,6	1,28
	25	27212025	2012	105,82	101,33	24,8	7,2	86	32	0,6	1,54
	30	27212030	2012	125,99	121,5	24,8	7,2	106	32	0,6	1,96
5/8" x 3/8 R. 10.16 10 B-1	15	27215015	1210	83,19	76,35	27,9	9,1	58	37	0,6	0,87
	17	27215017	1610	93,23	86,39	27,9	9,1	68	37	0,6	1,17
	18	27215018	1610	98,3	91,42	27,9	9,1	72	37	0,6	1,34
	19	27215019	1610	103,29	96,45	27,9	9,1	79	37	0,6	1,49
	20	27215020	1610	108,4	101,49	27,9	9,1	82	37	0,6	1,68
	21	27215021	1610	113,35	106,51	27,9	9,1	89	37	0,6	1,88
	23	27215023	1610	123,43	116,59	27,9	9,1	99	37	0,6	2,30
	25	27215025	2012	133,5	126,66	27,9	9,1	109	37	0,6	2,77
	30	27215030	2012	158,71	151,87	27,9	9,1	135	37	0,6	3,20

CORONE DOPPIE PER DUE CATENE SEMPLICI TAPER LOCK®

MATERIALE C45 UNI 7845

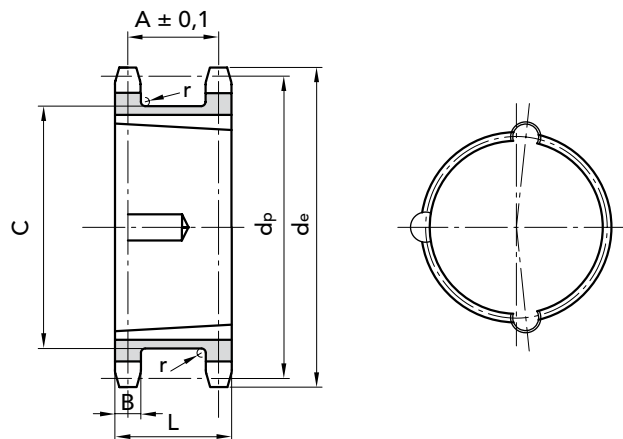
Disegni CAD disponibili sul sito  
[www.chiaravalli.com](http://www.chiaravalli.com)

Quantità, disponibilità e prezzi  
con B2B Chiaravalli





## TAPER LOCK® SENZA BUSSOLA CONICA



TIPO	Z	CODICE	bussola	de	dp	A	B h14	C max	L	r	Kg
3/4" x 7/16" R. 12.07 12 B-1	15	27219015	1610	99,16	91,63	33,9	11,1	71	45	0,6	1,33
	17	27219017	1610	111,2	103,67	33,9	11,1	83	45	0,6	2,12
	18	27219018	2012	118	109,71	33,9	11,1	88	45	0,6	2,42
	19	27219019	2012	123,27	115,74	33,9	11,1	95	45	0,6	2,75
	20	27219020	2517	129,7	121,78	33,9	11,1	101	45	0,6	3,09
	21	27219021	2517	135,35	127,82	33,9	11,1	107	45	0,6	3,42
	23	27219023	2517	147,43	139,9	33,9	11,1	119	45	0,6	4,21
	25	27219025	2517	159,52	151,99	33,9	11,1	131	45	0,6	5,07
30	27219030	2517	189,8	182,25	33,9	11,1	162	45	0,6	6,5	
1" x 17.02 R. 15.88 16 B-1	15	27225015	2012	133,29	122,17	47,8	16,2	95	64	0,8	4,44
	17	27225017	2517	149,35	138,23	47,8	16,2	111	64	0,8	5,09
	18	27225018	2517	157,39	146,28	47,8	16,2	119	64	0,8	5,90
	19	27225019	2517	165,44	154,32	47,8	16,2	127	64	0,8	6,70
	20	27225020	2517	173,49	162,38	47,8	16,2	135	64	0,8	7,53
	21	27225021	3020	181,54	170,42	47,8	16,2	143	64	0,8	9,48
	23	27225023	3020	197,66	186,54	47,8	16,2	160	64	0,8	10,0
	25	27225025	3020	213,78	202,66	47,8	16,2	176	64	0,8	11,0
30	27225030	3020	254,10	243	47,8	16,2	216	64	0,8	13,0	

MATERIALE C45 UNI 7845

Disegni CAD disponibili sul sito  
[www.chiaravalli.com](http://www.chiaravalli.com)

Quantità, disponibilità e prezzi  
con B2B Chiaravalli





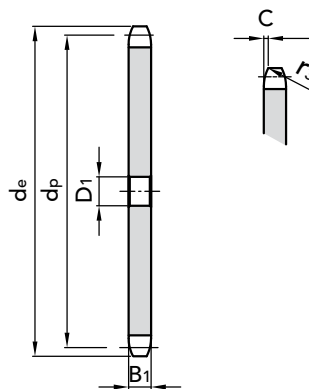
## CORONE P50 R 25 - 31

### CATENA

Passo	50	mm
Larghezza interna	11,5	mm
Rullo Ø	25	mm
Spessore corona B <sub>1</sub>	10,5	mm

### CATENA

Passo	50	mm
Larghezza interna	15	mm
Rullo Ø	31	mm
Spessore corona B <sub>1</sub>	13,8	mm



### RULLO 25

Z	D <sub>1</sub>	CODICE	d <sub>e</sub>	d <sub>p</sub>	kg.
6	20	24502506	115	100	0,55
7	20	24502507	132,7	115,24	0,76
8	20	24502508	148,1	130,6	0,92
9	20	24502509	163,7	146,2	1,30
10	25	24502510	179,3	161,85	1,45
11	25	24502511	195	177,5	1,94
12	25	24502512	211	193,2	2,01
13	30	24502513	226,4	208,95	2,33
14	30	24502514	242,2	224,7	3,06
15	30	24502515	257,9	240,45	3,80
16	30	24502516	273,8	256,3	4,00
17	30	24502517	289,5	272,05	4,20
18	30	24502518	305,4	287,95	5,10
19	30	24502519	321,3	303,8	6,00
20	30	24502520	337,1	319,6	6,45
21	30	24502521	352,9	335,45	6,89
22					
23					
24	30	24502524	400	383,05	9,07
25	30	24502525	416,4	398,95	9,97
26	30	24502526	432,3	414,8	12,06
27	30	24502527	448,2	430,7	12,88
28	30	24502528	464	446,55	13,83
30	30	24502530	495,8	478,35	14,32
32					
35					
38	30	24502538	622,9	605,45	21,50

### RULLO 31

Z	D <sub>1</sub>	CODICE	d <sub>e</sub>	d <sub>p</sub>	kg.
6	20	24503106	116,2	100,00	0,75
7	20	24503107	133,8	115,24	1,00
8	20	24503108	152,3	130,60	1,10
9	20	24503109	167,9	146,20	1,71
10	25	24503110	183,5	161,85	2,02
11	25	24503111	199,2	177,50	2,31
12	25	24503112	212,0	193,20	2,50
13	30	24503113	230,6	208,95	2,98
14	30	24503114	246,4	224,70	4,05
15	30	24503115	262,1	240,45	4,90
16	30	24503116	278,0	256,30	5,04
17					
18	30	24503118	309,6	287,95	6,90
19	30	24503119	325,5	303,80	6,85
20	30	24503120	341,3	319,60	8,06
21	30	24503121	357,1	335,45	8,80
22	30	24503122	373,0	351,35	9,90
23	30	24503123	388,9	367,20	10,06
24	30	24503124	404,7	383,05	11,25
25	30	24503125	419,7	398,95	12,30
26	30	24503126	436,5	414,80	14,11
27	30	24503127	452,4	430,70	15,46
28	30	24503128	468,2	446,55	16,80
30					
32	30	24503132	531,8	510,10	21,35
35	30	24503135	579,5	557,80	25,7
38	30	24503138	622,0	605,45	30,05

### MATERIALE FE / C45

Per necessità specifiche chiedere.

Disegni CAD disponibili sul sito  
[www.chiaravalli.com](http://www.chiaravalli.com)

Quantità, disponibilità e prezzi  
con B2B Chiaravalli







CORONE P75 R 25			CORONE P75 R 31		
<b>CATENA</b>			<b>CATENA</b>		
Passo	75	mm	Passo	75	mm
Larghezza interna	15	mm	Larghezza interna	15	mm
Rullo Ø	25	mm	Rullo Ø	31	mm
Spessore corona B <sub>1</sub>	13,8	mm	Spessore corona B <sub>1</sub>	13,8	mm

RULLO 25						RULLO 31					
Z	D <sub>1</sub>	CODICE	d <sub>e</sub>	d <sub>p</sub>	kg.	Z	D <sub>1</sub>	CODICE	d <sub>e</sub>	d <sub>p</sub>	kg.
8	30	24752508	213,4	195,98	3,20	8	30	24753108	217,6	195,98	3,50
9	30	24752509	236,8	219,3	4,00	9	30	24753109	241	219,3	3,80
10	30	24752510	260,2	242,77	5,00	10	30	24753110	264,4	242,77	4,50
11	30	24752511	283,7	266,25	5,43	11	30	24753111	287,9	266,25	5,57
12	30	24752512	307,3	289,8	7,00	12	30	24753112	311,5	289,8	6,70
13	30	24752513	330,9	313,42	7,56	13	30	24753113	334,1	313,42	7,80
14						14	30	24753114	358,7	337,05	9,12
15	30	24752515	378,1	360,67	8,00	15	30	24753115	382,3	360,67	10,42
16	30	24752516	401,9	384,45	12,17	16	30	24753116	406,1	384,45	11,98
17						17					
20						20					
21						21	30	24753121	524,8	503,17	20,62
25	30	24752525	615,9	598,42	29,25	25	30	24753125	620,1	598,42	27,00

CORONE P100 R 31			CORONE P100 R 40		
<b>CATENA</b>			<b>CATENA</b>		
Passo	100	mm	Passo	100	mm
Larghezza interna	15	mm	Larghezza interna	22	mm
Rullo Ø	31	mm	Rullo Ø	40	mm
Spessore corona B <sub>1</sub>	13,8	mm	Spessore corona B <sub>1</sub>	20	mm

RULLO 31						RULLO 40					
Z	D <sub>1</sub>	CODICE	d <sub>e</sub>	d <sub>p</sub>	kg.	Z	D <sub>1</sub>	CODICE	d <sub>e</sub>	d <sub>p</sub>	kg.
8	30	24993108	282,9	261,31	4,92	8	30	24994008	282,9	261,31	7,14
9	30	24993109	314,1	292,4	6,03	9	30	24994009	314,1	292,4	10,03
10	30	24993110	345,4	323,61	8,00	10	30	24994010	345,4	323,61	11,95
11	30	24993111	376,7	354,95	9,04	11	30	24994011	376,7	354,95	15,02
12	30	24993112	408,1	386,4	10,75	12	30	24994012	408,1	386,4	17,27
13	30	24993113	139,6	417,9	16,00	13					
14	30	24993114	471,1	449,4	17,00	14	30	24994014	471,1	449,4	24,60
15	30	24993115	502,6	480,9	19,00	15					
16	30	24993116	534,3	512,6	21,80	16	30	24994016	534,3	512,6	27,99
17	30	24993117	565,8	544,1	24,77	17					
18	30	24993118	597,6	575,9	26,43	18					
19						19					
20						20	30	24994020	663	639,2	42,62

**MATERIALE FE / C45**

Per necessità specifiche chiedere.

Disegni CAD disponibili sul sito  
[www.chiaravalli.com](http://www.chiaravalli.com)Quantità, disponibilità e prezzi  
con B2B Chiaravalli



# RUOTE PER CATENA A CERNIERA

RUOTE  
PER CATENA A CERNIERA

pag. 47





# RUOTE PER CATENA A CERNIERA

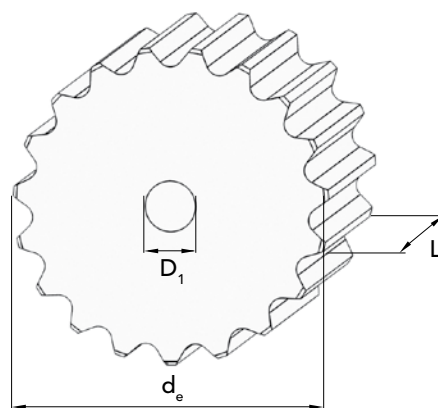
RUOTE PER CATENA A CERNIERA





## TABLETOP

P. 1" 1/2  
secondo DIN 8153



RUOTE PER CATENA A CERNIERA

2

Z	d <sub>e</sub>	D <sub>1</sub>	CODICE	L	PESO kg.
13	78,98	15	30038013	43,5	1,86
15	93,67	15	30038015	43,5	1,86
17	105,47	20	30038017	43,5	2,34
19	117,34	20	30038019	43,5	3,10
21	129,26	20	30038021	43,5	3,70
23	141,22	20	30038023	43,5	4,46
25	153,21	20	30038025	43,5	5,50
27	165,20	20	30038027	43,5	6,31
29	177,24	20	30038029	43,5	7,31
31	189,28	20	30038031	43,5	8,63

MATERIALE FE 50



Disegni CAD disponibili sul sito  
[www.chiaravalli.com](http://www.chiaravalli.com)

Quantità, disponibilità e prezzi  
con B2B Chiaravalli



# SERVIZI SPEDIZIONE



**B2B**

*Chiaravalli Group SpA  
E-commerce service*

**FAST TRACK**

*Spedizioni giornaliere  
via aerea*



**PRIORITY TRUCK SERVICE**

*Spedizioni prioritarie  
mezzo camion*

**ADVANCED SHIPPING**

*Spedizioni in trenta ore  
via aerea o camion*



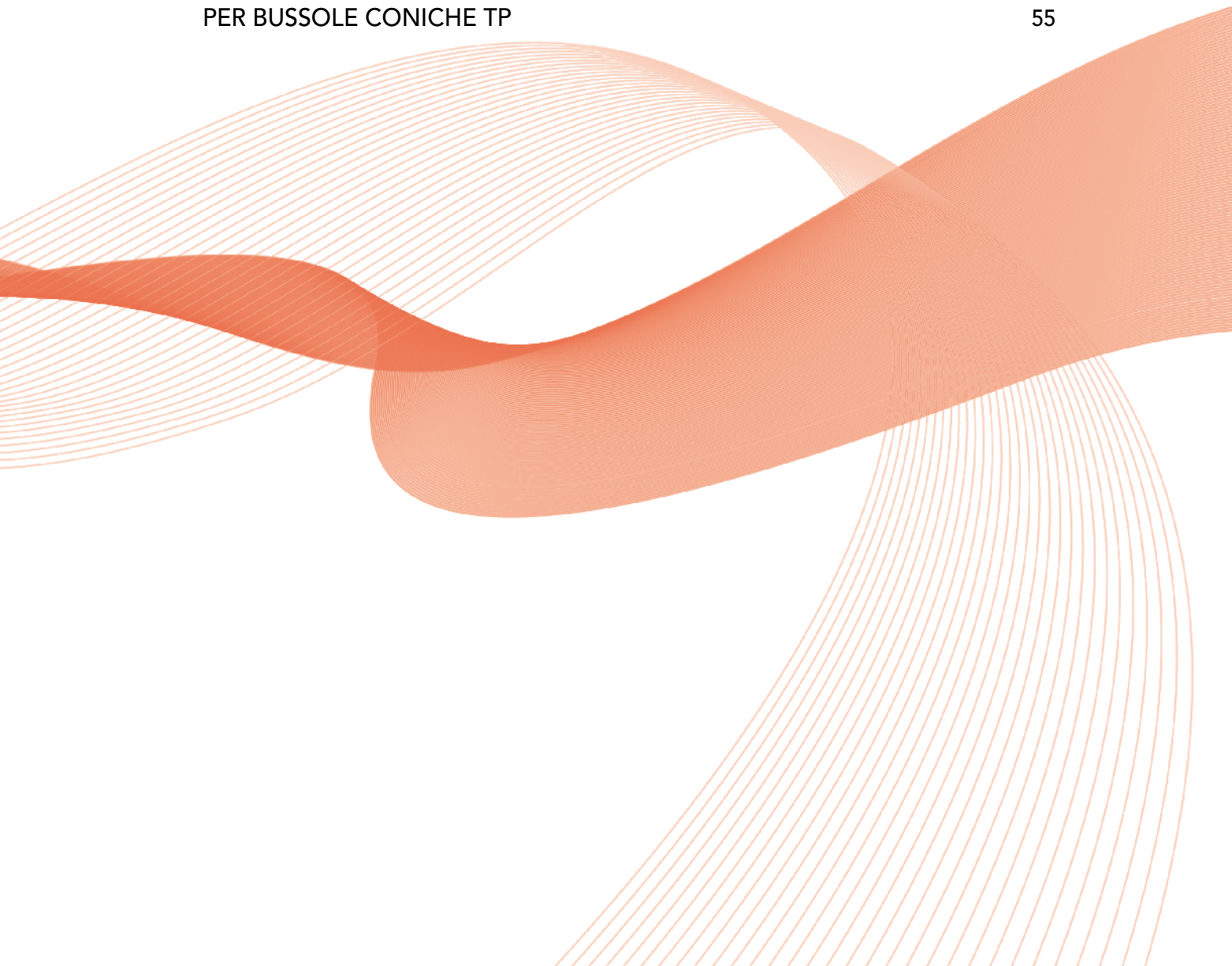
**OGNI VOSTRA NECESSITÀ  
È LA NOSTRA UNICA PRIORITÀ**

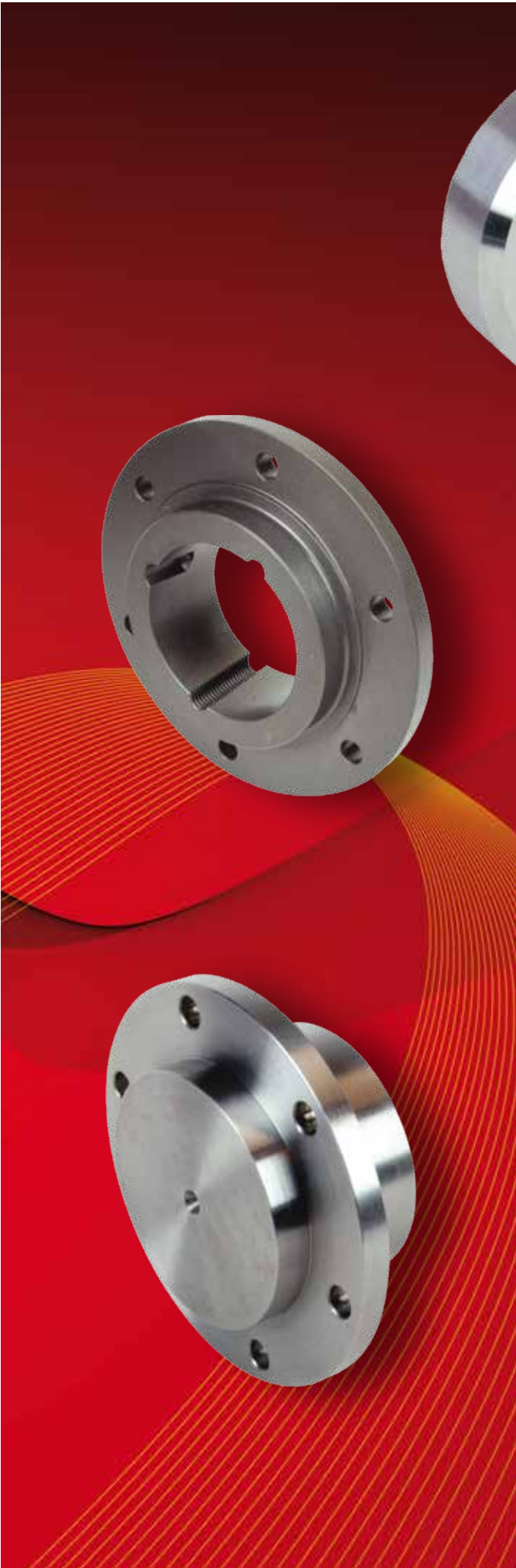


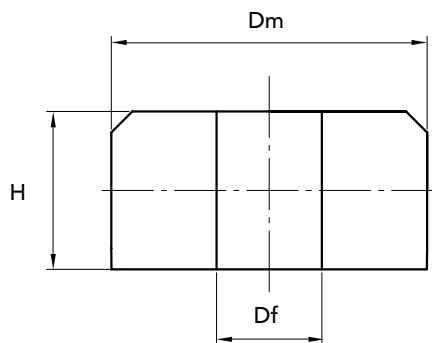


## MOZZI e ADATTATORI

<b>MOZZI SALDABILI</b>	pag. 51
<b>MOZZI SALDABILI</b> PER BUSSOLA TL	52
<b>MOZZI SMONTABILI</b> PER BUSSOLA CONICA TL	53
<b>MOZZI SMONTABILI</b> PER CORONE	54
<b>ADATTATORI</b> PER BUSSOLE CONICHE TP	55







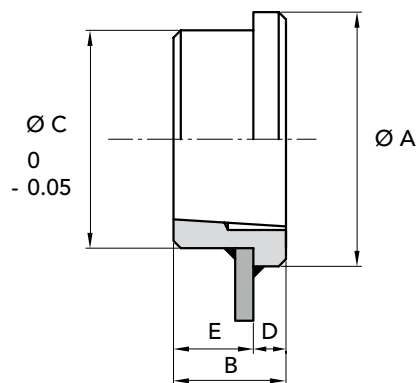
Dm	H	Df	CODICE	PESO Kg.	Dm	H	Df	CODICE	PESO Kg.	Dm	H	Df	CODICE	PESO Kg.	Dm	H	Df	CODICE	PESO Kg.
60	30	20	00001105	0,59	130	20	25	00001380	2,37	150	33	25	00001750	4,45	180	28	40	00002090	5,35
80	27	16	00001110	1,02	130	25	20	00001400	2,55	150	33	30	00001760	4,38	180	31	40	00002100	5,87
80	27	20	00001120	1,00	130	25	25	00001410	2,50	150	36,5	25	00001770	4,94	180	34	30	00002130	6,67
90	26	16	00001130	1,26	130	32	25	00001440	3,21	150	52	30	00001780	6,90	180	46	30	00002150	8,92
90	26	20	00001140	1,23	130	38	25	00001460	3,81	150	62	30	00001790	8,29	180	61	30	00002160	11,18
90	31	16	00001150	1,49	133	34	30	00001490	3,52	150	72	30	00001800	9,59	180	71	40	00002170	13,50
90	31	20	00001160	1,46	133	50,6	30	00001500	5,23	155	34	30	00001820	4,81	200	30	40	00002180	5,70
90	33	20	00001170	1,56	135	32	25	00001510	3,47	155	50,6	30	00001830	7,20	200	32	30	00002190	7,71
90	33	25	00001180	1,52	135	40,6	25	00001530	4,40	160	21	30	00001840	3,22	200	32	40	00002200	7,58
100	31	20	00001190	1,82	140	21	25	00001540	2,45	160	28	25	00001850	4,30	200	34	30	00002230	8,18
100	31	25	00001200	1,78	140	21	30	00001550	2,42	160	28	30	00001860	4,22	200	34	40	00002240	8,00
100	41	25	00001210	2,37	140	24	25	00001570	2,87	160	32	30	00001900	4,98	200	38	40	00002250	8,99
110	25	25	00001220	1,76	140	28	25	00001740	3,27	160	36	30	00001930	5,50	200	49	40	00002260	11,6
110	29	20	00001230	2,08	140	33	25	00001600	3,86	160	46	30	00001970	7,04	200	71	40	00002270	16,80
110	29	25	00001240	2,05	140	33	30	00001610	3,83	160	50,6	30	00001980	7,70	200	81	40	00002280	19,17
110	35	25	00001250	2,46	140	64	30	00001620	7,30	160	60,6	30	00001990	9,45	220	32	30	00002300	9,37
110	45	25	00001260	3,16	145	32	25	00001630	4,07	160	66	30	00002000	10,06	220	32	40	00002310	9,21
110	45	30	00001270	3,10	145	32	30	00001640	3,90	160	76	30	00002010	11,50	220	33	40	00002320	9,52
120	19,5	20	00001300	2,19	145	34	30	00001660	4,21	160	76	40	00002020	11,24	220	42	40	00002330	12,12
120	25,4	25	00001320	2,16	145	40,6	25	00001670	5,11	170	28	30	00002030	4,82	220	48	40	00002340	13,85
120	34	25	00001330	2,89	145	50,6	30	00001680	6,30	170	45,6	30	00002050	7,96	250	30	40	00002350	8,66
125	54	25	00001340	5,02	150	24	25	00001690	3,23	170	60,6	30	00002060	10,44	250	34	40	00002360	9,81
125	54	30	00001350	4,95	150	24	30	00001700	3,19	170	76	40	00002070	12,79	250	42	40	00002370	12,11
130	20	20	00001370	2,00	150	29,7	25	00001730	4,00	180	19	40	00002080	3,60	250	44	40	00002390	12,70

MATERIALE **FE 50**

Disegni CAD disponibili sul sito  
[www.chiaravalli.com](http://www.chiaravalli.com)

Quantità, disponibilità e prezzi  
con B2B Chiaravalli





TIPO MOZZO	CODICE	BUSSOLA	Ø A	B	Ø C	D	E	Peso Kg.
MS. TL 1210	28001210	1210	70	25	65	9	16	0,31
MS. TL 1610	28001610	1610	80	25	75	9	16	0,37
MS. TL 2012	28002012	2012	95	32	90	12	20	0,72
MS. TL 2517	28002517	2517	115	45	110	19	26	1,80
MS. TL 3020	28003020	3020	145	51	140	19	32	2,59
MS. TL 3030	28003030	3030	145	76	140	19	57	3,55
MS. TL 3525	28003525	3525	190	65	180	25	40	7,30
MS. TL 3535	28003535	3535	190	89	180	25	64	6,40
MS. TL 4040	28004040	4040	200	102	190	32	70	13,22
MS. TL 4545	28004545	4545	220	115	205	38	77	19,30
MS. TL 5050	28005050	5050	240	127	220	38	89	24,52

MATERIALE FE 50


 Disegni CAD disponibili sul sito  
[www.chiaravalli.com](http://www.chiaravalli.com)

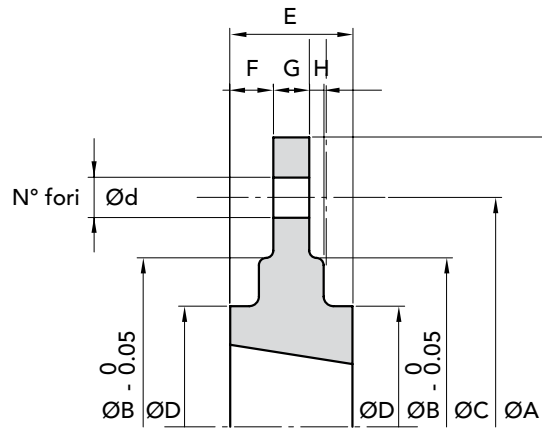
 Quantità, disponibilità e prezzi  
 con B2B Chiaravalli



# MOZZI SMONTABILI PER BUSSOLA CONICA TL

53

2



MOZZI SMONTABILI PER BUSSOLA CONICA TL

TIPO MOZZO	CODICE	BUSSOLA	Ø A	Ø B	Ø C	Ø D	E	F	G	H	N. FORI	Ø d	Peso Kg.
MSM. TL Ø 120	28000120	1210	120	80	100	70	25	9	7,5	2,5	6	7,5	0,82
MSM. TL Ø 130	28000130	1610	130	90	110	80	25	9	7,5	2,5	6	7,5	0,95
MSM. TL Ø 145	28000145	2012	145	115	125	95	32	12	9,5	2,5	6	9,5	1,53
MSM. TL Ø 180	28000180	1210	180	90	135	75	25	9,25	6,5	2,5	6	7,5	2,84
MSM. TL Ø 185	28000185	2517	185	130	155	115	45	19	12,5	2,5	6	11,5	3,14
MSM. TL Ø 200	28000200	1615	200	110	150	85	38	15,3	7,5	2,5	6	7,5	2,42
MSM. TL Ø 220	28000220	3020	220	165	190	145	51	19	12,5	2,5	6	13,5	2,93
MSM. TL Ø 270	28000270	2012	270	140	190	110	32	11,8	8,5	2,5	6	9,5	4,44
MSM. TL Ø 340	28000340	2517	340	170	240	125	45	17,8	9,5	2,5	8	11,5	7,97
MSM. TL Ø 430	28000430	3020	430	220	300	160	51	18,8	13,5	2,5	8	13,5	16,8
MSM. TL Ø 485	28000485	3020	485	250	340	160	51	18,8	13,5	2,5	8	13,5	21,18

MATERIALE **GHISA**  
**ACCIAIO**

Disegni CAD disponibili sul sito  
[www.chiaravalli.com](http://www.chiaravalli.com)

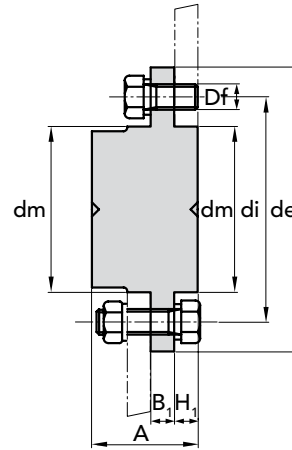
Quantità, disponibilità e prezzi  
con B2B Chiaravalli







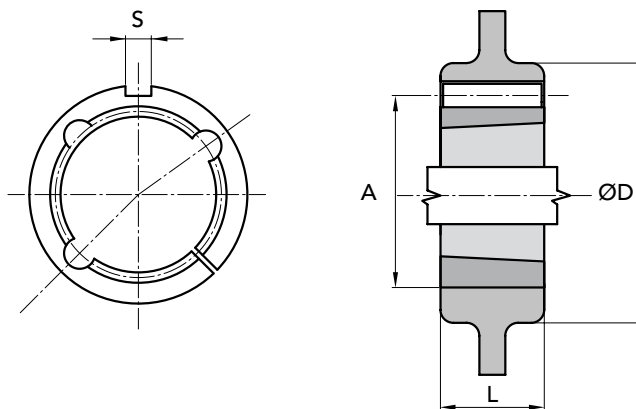
## MOZZO LATERALE PER RUOTA A CATENA



Nr. MOZZO	CODICE	de	di	dm	A	Df	B <sub>1</sub>	H <sub>1</sub>	Peso Kg.
30	30000030	55	45	30	20,0	4,2	4	3,0	0,12
40	30000040	70	58	40	25,0	5,2	5	5,2	0,15
50	30000050	80	67	50	32,0	6,2	7	7,0	0,20
60	30000060	90	76	60	38,5	6,2	7	8,7	0,25
70	30000070	110	94	70	45,5	8,2	8	10,5	0,32
80	30000080	130	107	80	55,0	8,2	12	15,0	0,42
100	30000100	170	140	100	73,0	10,2	17	23,0	0,55
140	30000140	220	182	140	83,0	12,2	20	23,0	0,68
160	30000160	245	205	160	93,0	16,5	25	25,0	0,81

MATERIALE FE 50

Disegni CAD disponibili sul sito  
[www.chiaravalli.com](http://www.chiaravalli.com)Quantità, disponibilità e prezzi  
con B2B Chiaravalli



TIPO DI ADATTATORE	CODICE	N. BUSSOLA	L	A	Ø D PER MOZZI di PULEGGE o PIGNONI in GHISA o ACCIAIO		S	PESO Kg.
ARC 1008	29901008	1008	22	45	75	60	5 x 5	0,45
ARC 1210	29901210	1210	25	60	105	85	6 x 6	0,70
ARC 1610	29901610	1610	25	70	115	95	10 x 8	0,80
ARC 1615	29901615	1615	38	70	115	95	10 x 8	0,90
ARC 2517	29902517	2517	45	105	150	130	16 x 10	2,20
ARC 3030	29903030	3030	76	130	190	160	20 x 12	5,80
ARC 3535	29903535	3535	90	160	240	200	22 x 12	11,30
ARC 4040	29904040	4040	102	185	290	240	24 x 12	17,30

MATERIALE **GHISA**

Disegni CAD disponibili sul sito  
[www.chiaravalli.com](http://www.chiaravalli.com)

Quantità, disponibilità e prezzi  
 con B2B Chiaravalli





# RIDUTTORI

# EPICICLOIDALI

*Ingombri ridotti, elevata affidabilità e semplicità costruttiva sono tra le caratteristiche dei nuovi riduttori epicicloidali CHIARAVALLI.*

*La elevata modularità di configurazione permette di assemblare in ingresso motori elettrici, idraulici, riduttori a vite senza fine (serie CHM CHIARAVALLI) oppure alberi maschio cilindrici.*

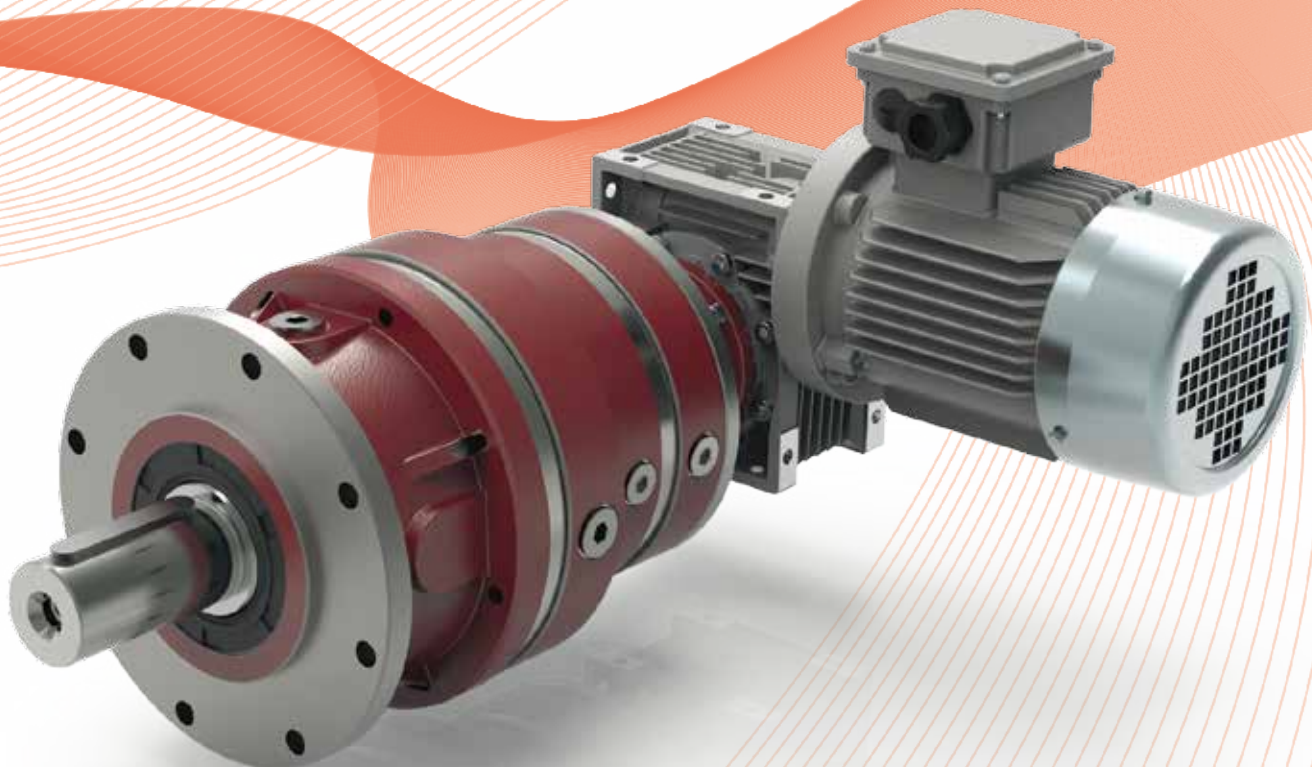
*Diverse configurazioni di alberi e flange in uscita permettono l'utilizzo di questi riduttori in molte*

*applicazioni industriali.*

*Disponibili nella versione lineare (CHPL) o in quella angolare (CHPLB), i riduttori epicicloidali della serie CHIARAVALLI comprendono 11 grandezze con coppie trasmissibili che vanno da 100 daNm a 3500 daNm e rapporti di riduzione da 3.55:1 sino a 3422:1.*

*A richiesta sono fornibili riduttori con più di 4 stadi di riduzione.*

*I riduttori epicicloidali CHIARAVALLI sono forniti con fondo preparatorio per la verniciatura.*





# TENDITORI - TENDICATENA TENDICINGHIA BRAND CHT<sup>®</sup>

ISTRUZIONI DI MONTAGGIO <b>SERIE T - SERIE AS - SERIE L</b>	pag. 8
TENDITORE ROTANTE <b>CHT-T</b>	9
TENDICATENA ROTANTE <b>CHT-TR CHT-TTN</b>	10
TENDICATENA ROTANTE <b>CHT-TGE</b>	11
TENDICINGHIA ROTANTE <b>CHT-TRU</b>	12
TENDITORE LINEARE <b>CHT-L</b>	14
TENDITORE LINEARE <b>CHT-AS</b>	15
TENDICATENA LINEARE <b>CHT-ASR CHT-ASTN</b>	16
TENDICINGHIA LINEARE <b>CHT-ASRU</b>	17
TENDICATENA LINEARE <b>CHT-LP</b>	18
TENDICATENA LINEARE <b>CHT-ASGE</b>	19
TENDICATENA LINEARE <b>CHT-ASGO</b>	20
TENDICATENA LINEARE <b>CHT-ASGA</b>	21
ISTRUZIONI DI MONTAGGIO <b>SERIE E</b>	23
TENDITORE ROTANTE <b>CHT-E</b>	24
TENDITORE ROTANTE <b>CHT-ER</b>	25
TENDICINGHIA ROTANTE <b>CHT-ERU</b>	26
TENDICATENA ROTANTE <b>CHT-EGE</b>	27
RULLO TENDICINGHIA <b>CHT-RU</b>	28
PATTINO TENDITORE <b>CHT-P</b>	29
PATTINO TENDICATENA <b>CHT-GA CHT-GE CHT-GO</b>	30
PIGNONI TENDICATENA <b>CHT-R</b>	31
PIGNONI TENDICATENA <b>CHT-TN</b>	32





TENDITORI, TENDICATENA, ... BRAND CHT®



TENDITORI BRAND CHT®





## CARATTERISTICHE COSTRUTTIVE

La Chiaravalli Group SpA produce interamente in Italia tutti i propri tenditori automatici. I nostri tenditori automatici mantengono costante la tensione delle catene e delle cinghie. La loro azione di tensione automatica migliora le prestazioni ed aumenta la durata delle catene e delle cinghie, eliminando la manutenzione sulle stesse. Inoltre i tenditori possono essere utilizzati anche come pressori per mantenere nella posizione voluta qualsiasi particolare in movimento sulle linee di trasporto. Il meccanismo a molla incorporato agisce come ammortizzatore assorbendo il sovraccarico e riducendo le vibrazioni. La lubrificazione e le boccole autolubrificanti a secco con PTFE standard in tutte le versioni assiali AS ed in bronzo sinterizzato standard in tutte le versioni rotanti T rendono i nostri tenditori affidabili, silenziosi ed esenti da manutenzione.

I tenditori sono disponibili in un'ampia varietà di modelli e misure, sono utilizzati nelle più svariate applicazioni come le macchine agricole, nastri trasportatori, macchine per imballaggio, imbottigliamento, stampa e una moltitudine di altre applicazioni industriali, ovunque vi siano catene e cinghie. L'elevata qualità dei materiali impiegati e la precisione delle lavorazioni, rendono i nostri tenditori sicuramente dei prodotti superiori, dalla provata durata, in grado di sopportare carichi gravosi in qualsiasi ambiente.

Tutti i tenditori col corpo/base in alluminio vengono verniciati di colore nero tramite il processo di cataforesi.

La cataforesi è un'elettrodeposizione di vernice in immersione con corrente elettrica continua.

Il film depositato conferisce ai manufatti elevate caratteristiche estetiche ed anticorrosive, prolungando nel tempo la loro conservazione.

I tenditori possono essere forniti come singoli elementi nelle versioni lineare AS ed L e rotanti T ed E, oppure possono essere forniti già completi di pignone tendicatena, rullo tendicinghia o pattino tendicatena in polietilene UHMW ad alto peso molecolare 1.000.000 nero ma disponibile anche in diversi colori.

Inoltre su richiesta possono essere forniti tenditori speciali con dimensioni e carichi personalizzati.



TENDITORI LINEARI BRAND CHT®

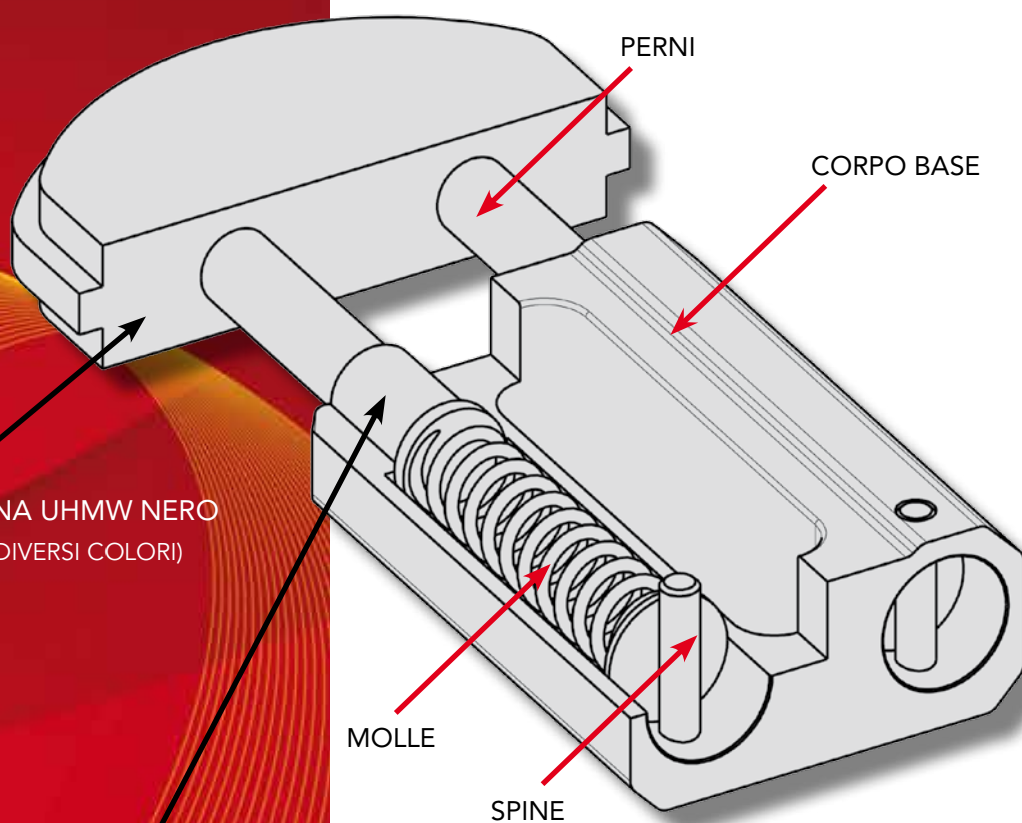




I tenditori automatici serie **CHT-AS** e le relative varianti (che trovate nelle pagine successive) mantengono la tensione costante delle catene o delle cinghie tensionate recuperando assialmente l'allungamento delle stesse, tramite molle multiple a compressione inserite all'interno del corpo base. Le parti strutturali sono in alluminio pressofuso ad alta resistenza verniciate di colore nero col processo di cataforesi. Le boccole autolubrificanti a secco con PTFE standard su tutte le grandezze e versioni, forniscono sedi perfettamente lisce per lo scorrimento dei perni senza punti d'usura. Elementi elastici a molle multiple a compressione in lega d'acciaio accuratamente avvolte per fornire una tensione costante. Montaggio semplice con la possibilità di precaricare il tenditore attraverso il foro presente frontalmente.

PATTINO TENDICATENA UHMW NERO  
(DISPONIBILE ANCHE IN DIVERSI COLORI)

BOCCOLE AUTOLUBRIFICANTI  
STANDARD SU TUTTE LE VERSIONI







TENDITORI ROTANTI BRAND CHT®





I tenditori automatici serie **CHT-T** e le relative varianti (che trovate nelle pagine successive) mantengono la tensione costante delle catene o delle cinghie tensionate recuperando radialmente l'allungamento delle stesse, tramite molle multiple a compressione inserite all'interno del corpo base.

Le due parti strutturali del corpo sono in alluminio pressofuso ad alta resistenza verniciate di colore nero tramite processo di cataforesi.

La boccia autolubrificante in bronzo sinterizzato standard su tutte le grandezze e versioni, fornisce una sede perfettamente liscia per il movimento della leva sul perno centrale senza punti d'usura.

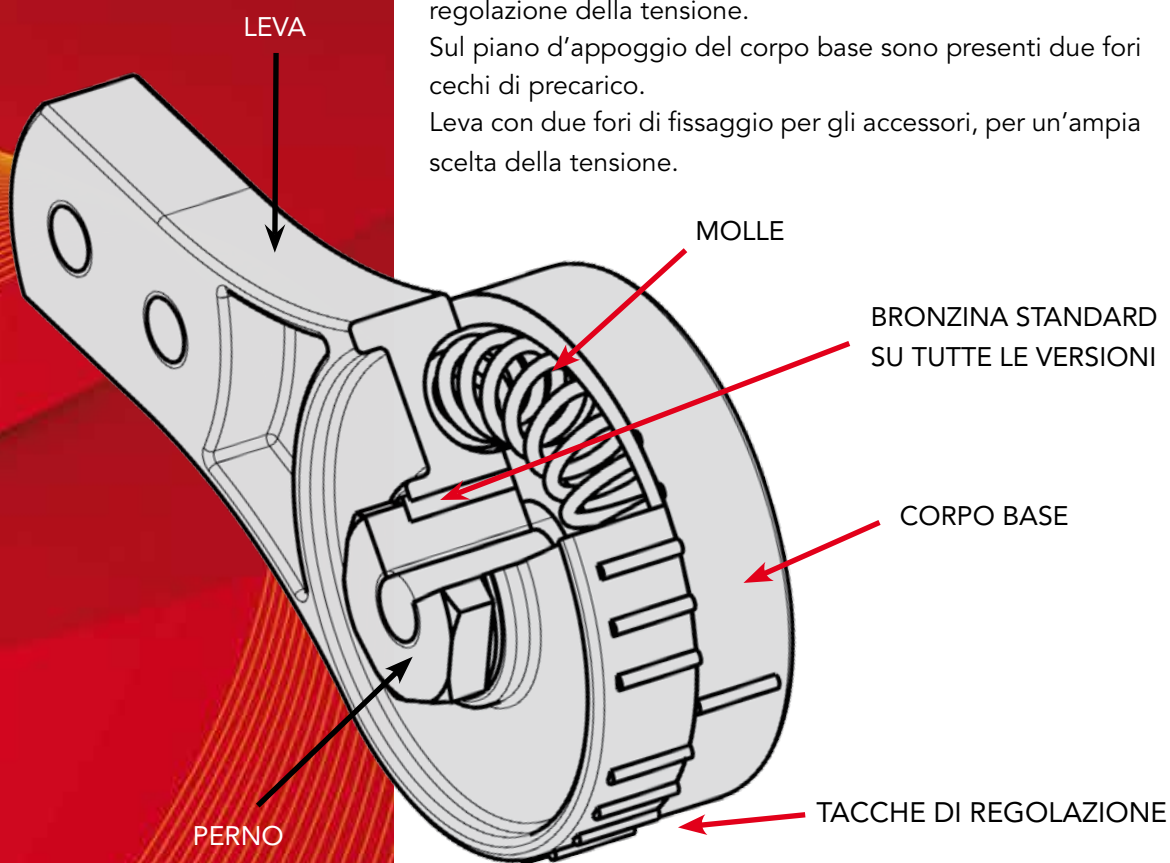
Elementi elastici a molle multiple a compressione in lega d'acciaio accuratamente avvolte per fornire una tensione costante, le molle sono lubrificate con grasso per assicurare durata e operazioni silenziose.

Montaggio semplice attraverso una sola vite che può essere montata da entrambi i lati.

Tacche di regolazione sul corpo base per una facile e veloce regolazione della tensione.

Sul piano d'appoggio del corpo base sono presenti due fori ciechi di precarico.

Leva con due fori di fissaggio per gli accessori, per un'ampia scelta della tensione.





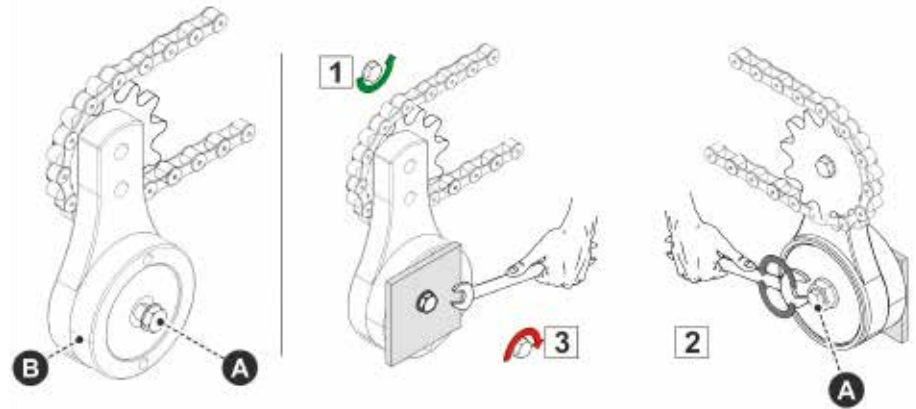


## SERIE T

- 1) Allentare leggermente la vite di fissaggio "A", che può essere fissata da entrambi i lati.
- 2) Ruotare il tenditore "B" nella direzione voluta con una chiave di 24, posta sull'esagono centrale.
- 3) Bloccare la vite "A".

### NOTA

In caso di superfici irregolari o applicazioni gravose, è consigliato l'utilizzo di un perno antirotazione, utilizzando uno dei due incavi presenti sul retro della base del tenditore.

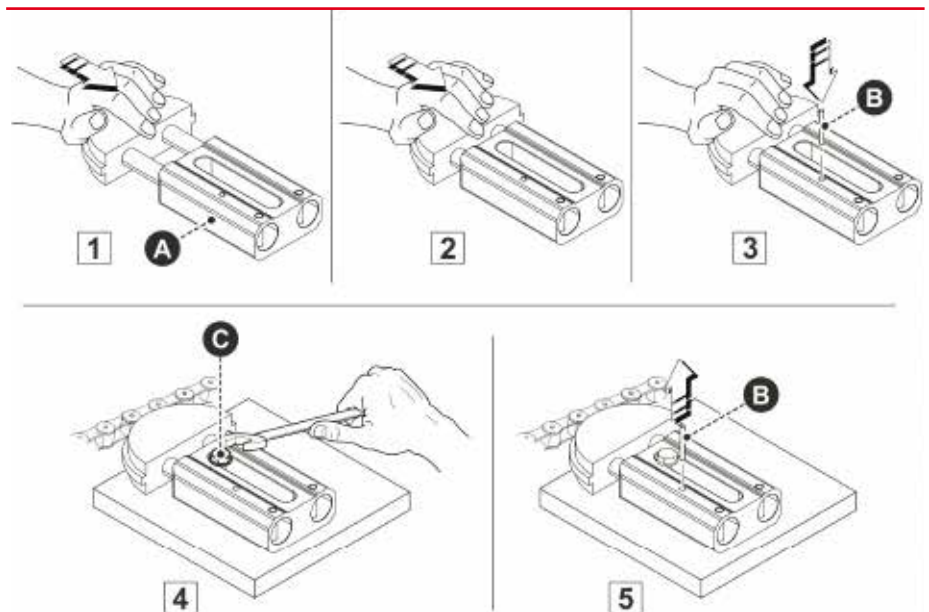


## SERIE AS - SERIE L

- 1) Precaricare il tenditore "A".
- 2) Comprimere le molle.
- 3) Inserire un perno "B" nel foro presente frontalmente, sul corpo base.
- 4) Fissare la vite di bloccaggio "C" nel punto più alto dell'asola per permettere, se necessario, lo spostamento in avanti del tenditore.
- 5) Estrarre il perno "B".

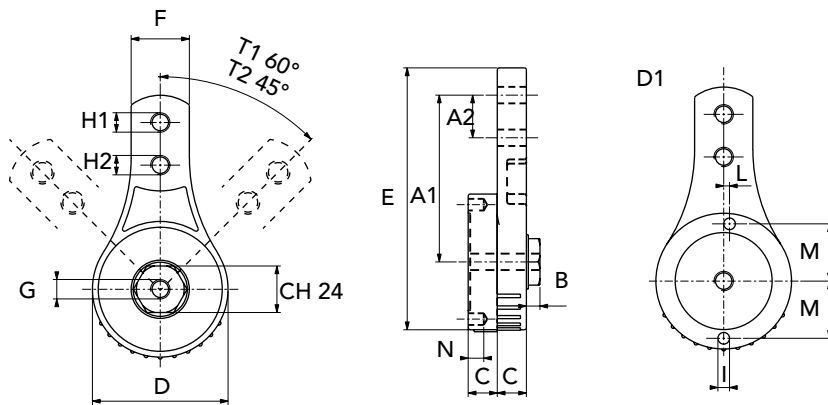
### NOTA

In caso di superfici irregolari o applicazioni gravose, è consigliato l'utilizzo di due viti di fissaggio, per impedire al tenditore di ruotare.





- Tenditore T con due fori per fissaggio accessori
- Boccola autolubrificante in bronzo sinterizzato standard
- Fornibile versione con perno e molle inox



TENDITORE ROTANTE CHT-T

3

TIPO	CODICE	Newton H1	Newton H2	A1	A2	B	C	D	E	F	G	H1	H2	I	L	M	N	PESO Kg.
T1 8.5	94030108N	180	250	86	22	7	15	70	135	30	M10	8,5	8,5	6	3	29,5	8	0,36
T1 10	94030110N	180	250	86	22	7	15	70	135	30	M10	M10	M10	6	3	29,5	8	0,36
T1 10.5	94030111N	180	250	86	22	7	15	70	135	30	M10	10,5	10,5	6	3	29,5	8	0,36
T1 12	94030112N	180	250	86	22	7	15	70	135	30	M10	M12	M12	6	3	29,5	8	0,34
T1 16	94030116N	180	250	86	22	7	15	70	135	30	M10	M16	M16	6	3	29,5	8	0,30
T2 10.5	94030211N	340	440	100	22	7	18	90	160	35	M12	10,5	10,5	8	-	37,5	10	0,62
T2 12	94030212N	340	440	100	22	7	18	90	160	35	M12	M12	M12	8	-	37,5	10	0,62
T2 16	94030216N	340	440	100	22	7	18	90	160	35	M12	M16	M16	8	-	37,5	10	0,60
T2 20	94030220N	340	440	100	22	7	18	90	160	35	M12	M20	M20	8	-	37,5	10	0,58

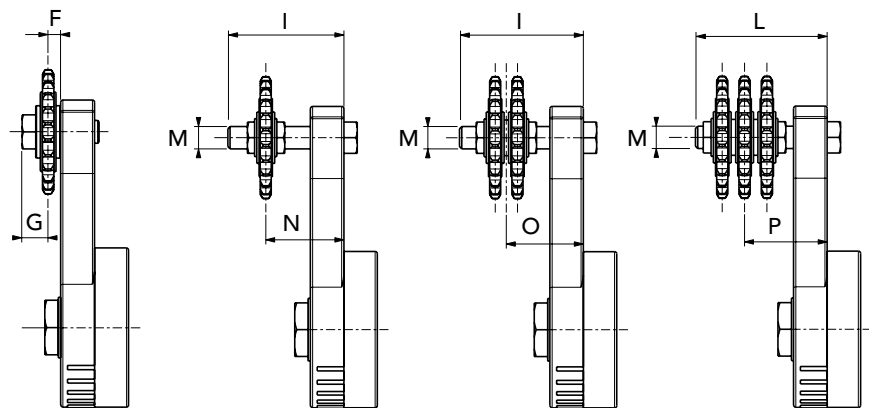



**Tendicatena rotante CHT - TTN**

- Tenditore T con pignone tendicatena TN (semplice)
- Boccola autolubrificante in bronzo sinterizzato standard
- Fornibile versione con perno e molle inox

**Tendicatena rotante CHT - TR**

- Tenditore T con pignone tendicatena R (semplice, doppio, triplo)
- Boccola autolubrificante in bronzo sinterizzato standard
- Fornibile versione con perno e molle inox


**CHT - TTN**
**CHT - TR Semplice**
**CHT - TR Doppio B2**
**CHT - TR Triplo B3**
**CHT - TTN**

TIPO	CODICE	PASSO CATENA	Z DENTI	F	G	M	PESO Kg.
TTN1-3/8	94030921	3/8"X 7/32"	21	9,2	19,2	M12	0,55
TTN1-1/2	94031216	1/2"X5/16"	16	9,2	19,2	M12	0,57
TTN1-5/8	94031517	5/8"X3/8"	17	9,2	19,2	M12	0,76
TTN2-5/8	94031518	5/8"X3/8"	17	9,2	19,2	M12	1,04
TTN2-3/4	94031915	3/4"X7/16"	15	9,2	19,2	M12	1,15
TTN2-1	94032512	1"X17mm	12	8,9	19	M12	1,45

**CHT - TR**

TIPO	CODICE SEMPLICI	CODICE DOPPI	CODICE TRIPLI	PASSO CATENA	Z DENTI	I	L	M	N	O	P	PESO Kg.
TR1-3/8	94030901	94030902	94030903	3/8"X 7/32"	15	60	80	M10	40-63	48-57	53-72	0,50
TR1-1/2	94031201	94031202	94031203	1/2"X5/16"	15	60	80	M12	40-63	50-55	57-68	0,55
TR1-5/8	94031501	94031502	94031503	5/8"X3/8"	15	80	80	M12	40-80	54-71	60-65	0,70
TR2-5/8	94031511	94031512	94031513	5/8"X3/8"	15	80	80	M12	46-84	59-82	68-84	0,97
TR2-3/4	94031901	94031902	94031903	3/4"X7/16"	15	80	100	M12	46-84	59-82	68-84	1,25
TR2-1	94032501	94032502	-	1"X17mm	12	100	-	M12	51-98	65-98	-	1,55



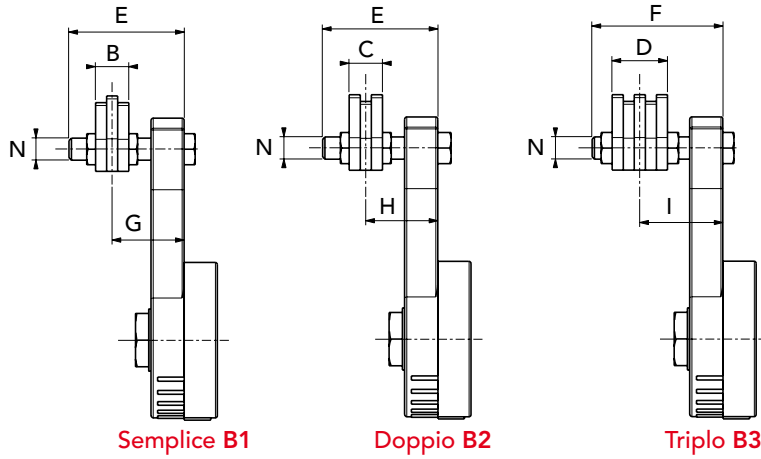
Disegni CAD disponibili sul sito  
[www.chiaravalli.com](http://www.chiaravalli.com)

Quantità, disponibilità e prezzi  
 con B2B Chiaravalli



**Tendicatena rotante CHT - TGE**

- Tenditore T con pattino tendicatena in polietilene UHMW ad alto peso molecolare (1.000.000)
- Disponibile in diversi colori
- Fornito con kit boccola che permette il movimento folle del pattino
- Boccola autolubrificante in bronzo sinterizzato standard
- Fornibile versione con perno e molle inox



Semplice B1

Doppio B2

Triplo B3

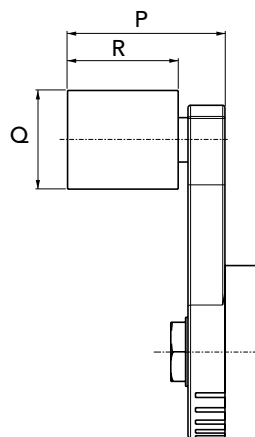
TIPO	CODICE SEMPLICE	CODICE DOPPI	CODICE TRIPLI	PASSO CATENA	B	C	D	E	F	G	H	I	N	PESO Kg.
TGE1-3/8	94030901P	94030902P	94030903P	3/8"x 7/32"	20	20	25	60	80	40-58	40-58	43-75	M12	0,47
TGE1-1/2	94031201P	94031202P	94031203P	1/2"x5/16"	20	20	35	60	80	40-58	40-58	48-70	M12	0,47
TGE1-5/8	94031501P	94031502P	94031503P	5/8"x3/8"	20	25	40	80	80	40-78	43-75	50-68	M12	0,47
TGE2-5/8	94031511P	94031512P	94031513P	5/8"x3/8"	20	25	40	80	80	46-81	49-78	57-90	M12	0,76
TGE2-3/4	94031901P	94031902P	94031903P	3/4"x7/16"	20	30	49	80	100	46-81	51-76	61-86	M12	0,76
TGE2-1	94032501P	94032502P	94032503P	1"x17mm	25	45	-	100	-	46-100	59-88	-	M12	0,76

TENDICATENA ROTANTE CHT - TGE




**Tendicinghia rotante CHT-TRU**

- Tenditore T con rullo tendicinghia RU
- Boccia autolubrificante in bronzo sinterizzato standard
- Fornibile versione con perno e molle inox



TIPO	CODICE ACCIAIO	CODICE ALLUMINIO	CODICE POLIAMMIDE	P	Q	R	PESO Kg. ACCIAIO	PESO Kg. ALL.	PESO Kg. PA
TRU1 - 3035	94031235	94031035	94031135	53	30	35	0,51	0,45	0,43
TRU1 - 4045	94031245	94031045	94031145	66	40	45	0,70	0,57	0,53
TRU1 - 5050	94031250	94031050	94031150	67	50	50	0,97	0,65	0,59
TRU2 - 5050	94032250	94032050	94032150	70	50	50	1,22	0,90	0,84
TRU2 - 6060	94032260	94032060	94032160	80	60	60	1,69	1,06	0,94



Disegni CAD disponibili sul sito  
[www.chiaravalli.com](http://www.chiaravalli.com)

Quantità, disponibilità e prezzi  
 con B2B Chiaravalli

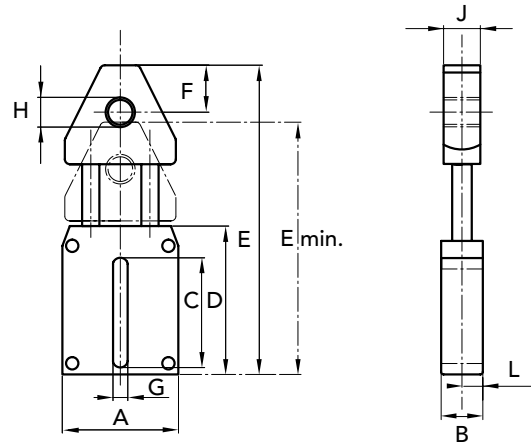




TENDITORI LINEARI BRAND CHT®



- Oscillazione assiale fino a 30 mm
- Struttura base in alluminio pressofuso ad alta resistenza
- Testa in alluminio per fissaggio accessori (R e RU)
- Elementi elastici a molla in lega di acciaio



TIPO	CODICE	Newton	A	B	C	D	E	E min.	F	G	H	J	L	PESO Kg.
L 1	94020001	210	60	25	56	76	146	116	15	10,5	M 12	20	12,5	0,59
L 2	94020002	300	60	25	56	76	156	126	15	12,5	M 12	20	12,5	0,61
L 3	94020003	450	60	25	56	76	166	136	15	12,5	M 12	20	12,5	0,65

A richiesta è fornibile la struttura base in poliammide 66 FV 50

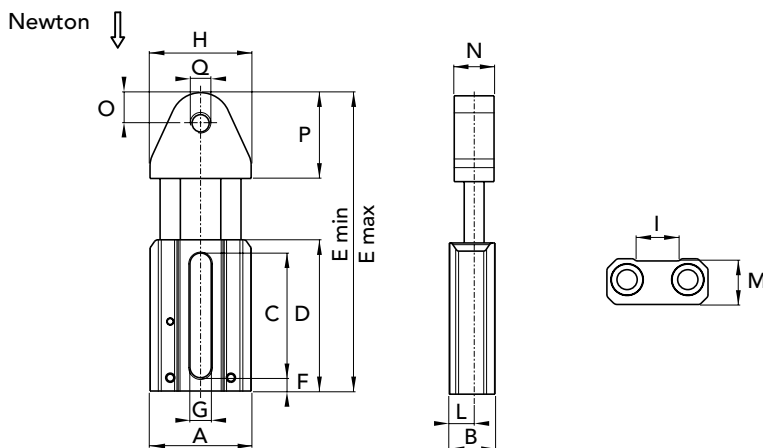
Disegni CAD disponibili sul sito  
[www.chiaravalli.com](http://www.chiaravalli.com)

Quantità, disponibilità e prezzi  
 con B2B Chiaravalli





- Tenditore AS con testa in alluminio per fissaggio accessori
- Boccole autolubrificanti a secco con PTFE standard
- Fornibile versione con perni, molle, spine e rondelle inox



TENDITORE LINEARE CHT - AS

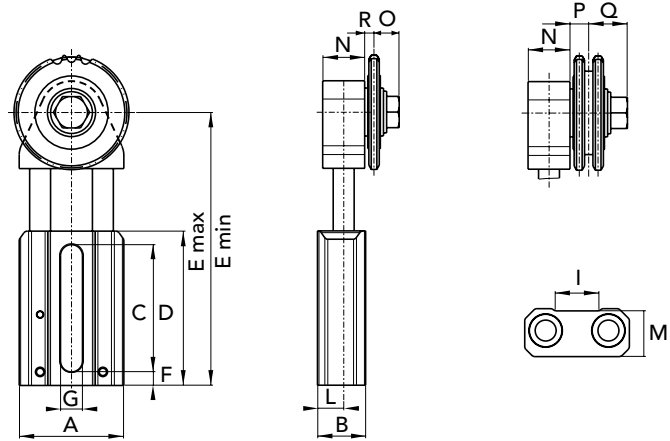
3

TIPO	CODICE	Newton	A	B	C	D	E min	E max	F	G	H	I	L	M	N	O	P	Q	PESO Kg.
AS1 M10	94021010N	240	50	23	61	74	115	143	6,5	10,5	52	20	12,5	22	20	14	40	M10	0,27
AS1 M12	94021012N	240	50	23	61	74	115	143	6,5	10,5	52	20	12,5	22	20	14	40	M12	0,26
AS1 M16	94021016N	240	50	23	61	74	115	143	6,5	10,5	52	20	12,5	22	20	14	40	M16	0,25
AS2 M12	94022012N	420	67	28	73	87	138	175	7	12,5	67	25	15	25,5	25	12	50	M12	0,52
AS2 M16	94022016N	420	67	28	73	87	138	175	7	12,5	67	25	15	25,5	25	12	50	M16	0,51
AS3 M12	94023012N	650	80	32,5	88	104	165	207	8	14,5	80	29,5	17,5	28,5	30	14	60	M12	0,89
AS3 M14	94023014N	650	80	32,5	88	104	165	207	8	14,5	80	29,5	17,5	28,5	30	14	60	M14	0,88
AS3 M16	94023016N	650	80	32,5	88	104	165	207	8	14,5	80	29,5	17,5	28,5	30	14	60	M16	0,88





- Tenditore AS con pignone tendicatena TN o R
- Boccole autolubrificanti a secco con PTFE standard
- Fornibile versione con perni, molle, spine e rondelle inox

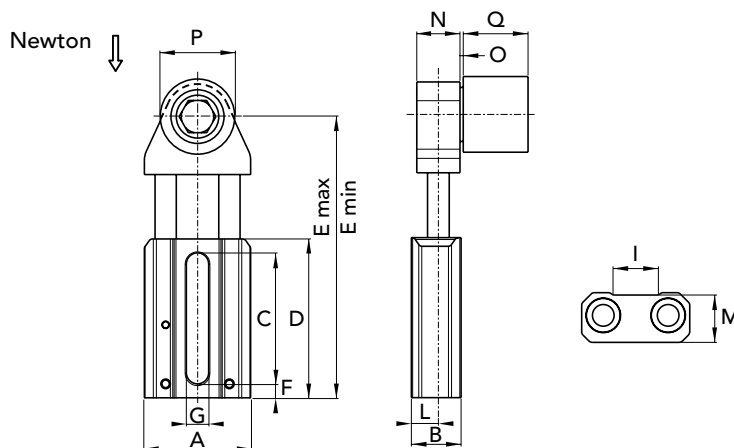


TIPO	CODICE SEMPLICI	CODICE DOPPI	Newton	Passo catena	Denti	A	B	C	D	E min	E max	F	G	I	L	M	N	O	P	Q	R	PESO Kg.
ASR1-3/8"15	94021091	94021092	240	3/8x7/32"	15	50	23	61	74	101	129	6,5	10,5	20	12,5	22	20	11,5	11,7	16,5	6,5	0,45
ASR1-1/2"15	94021121	94021122	240	1/2"x5/16"	15	50	23	61	74	101	129	6,5	10,5	20	12,5	22	20	12,5	14,4	19,4	7,5	0,50
ASR1-5/8"15	94021151	94021152	240	5/8"x3/8"	15	50	23	61	74	101	129	6,5	10,5	20	12,5	22	20	12,5	15,8	20,8	7,5	0,70
ASR2-5/8"15	94022151	94022152	420	5/8"x3/8"	15	67	28	73	87	128	164	7	12,5	25	15	25,5	25	12,5	15,8	20,8	7,5	0,95
ASR2-3/4"15	94022191	94022192	420	3/4"x7/16"	15	67	28	73	87	128	164	7	12,5	25	15	25,5	25	13,5	18,2	23,2	8,5	1,15
ASR3-1"12	94023251	94023252	650	1"x17 mm	12	80	32,5	88	104	154	195	8	14,5	29,5	17,5	28,5	30	16,2	26,8	31,7	11	1,75
ASTN1-3/8"21	940210921	-	240	3/8x7/32"	21	50	23	61	74	101	129	6,5	10,5	20	12,5	22	20	19,7	-	-	9,2	0,47
ASTN1-1/2"16	940211216	-	240	1/2"x5/16"	16	50	23	61	74	101	129	6,5	10,5	20	12,5	22	20	19,7	-	-	9,2	0,49
ASTN1-5/8"17	940211517	-	240	5/8"x3/8"	17	50	23	61	74	101	129	6,5	10,5	20	12,5	22	20	19,7	-	-	9,2	0,68
ASTN2-5/8"17	940221517	-	420	5/8"x3/8"	17	67	28	73	87	128	164	7	12,5	25	15	25,5	25	19,7	-	-	9,2	1,04





- Tenditore AS con rullo tendicinghia RU
- Boccole autolubrificanti a secco con PTFE standard
- Fornibile versione con perni, molle, spine e rondelle inox



TIPO	CODICE ALLUMINIO	CODICE ACCIAIO	CODICE POLIAMMIDE	Newton	A	B	C	D	E min	E max	F	G	I	L	M	N	O	P	Q
ASRU1-3035	94021035	94021235	94021135	240	50	23	61	74	101	129	6,5	10,5	20	12,5	22	20	2,5	30	35
ASRU1-4045	94021045	94021245	94021145	240	50	23	61	74	101	129	6,5	10,5	20	12,5	22	20	2,5	40	45
ASRU1-5050	94021050	94021250	94021150	240	50	23	61	74	101	129	6,5	10,5	20	12,5	22	20	2,5	50	50
ASRU2-5050	94022050	94022250	94022150	420	67	28	73	87	128	164	7	12,5	25	15	25,5	25	2,5	50	50
ASRU3-5050	94023050	94023250	94023150	650	67	28	73	87	154	195	8	14,5	29,5	17,5	28,5	30	2,5	50	50
ASRU3-6060	94023060	94023260	94023150	650	80	32,5	88	104	154	195	8	14,5	29,5	17,5	28,5	30	2,5	60	60

TIPO	PESO kg. ALLUMINIO	PESO kg. ACCIAIO	PESO kg. POLIAMMIDE
ASRU1-3035	0,35	0,40	0,32
ASRU1-4045	0,46	0,59	0,43
ASRU1-5050	0,55	0,86	0,50
ASRU2-5050	0,81	1,13	0,76
ASRU3-5050	1,18	1,48	1,11
ASRU3-6060	1,34	1,95	1,22

MATERIALE RULLO: POLIAMMIDE (PA)  
ALLUMINIO (AL)  
ACCIAIO ZINCATO (AC)

Disegni CAD disponibili sul sito  
[www.chiaravalli.com](http://www.chiaravalli.com)

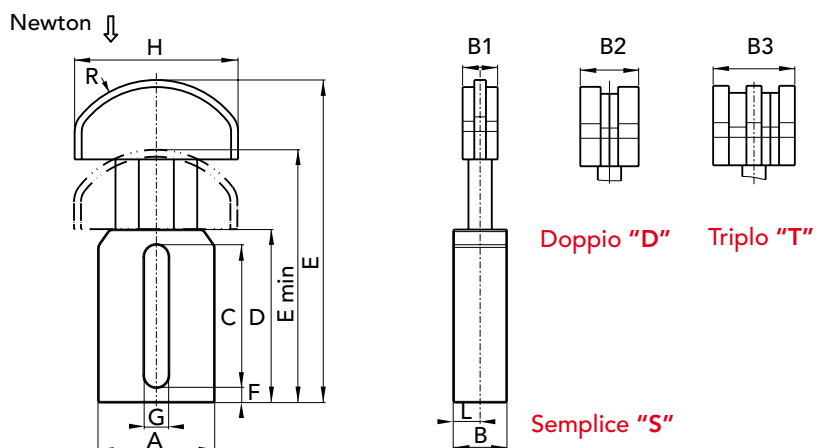
Quantità, disponibilità e prezzi  
con B2B Chiaravalli





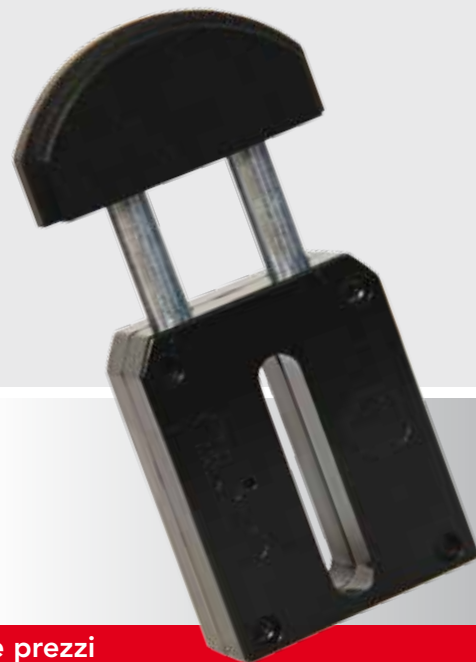


- Elemento tenditore CHT-LP con pattino in polietilene ad alta densità molecolare montato sui perni della struttura base
- Pattino disponibile in diversi colori



TIPO	CODICE SEMPLICE	CODICE DOPPI	CODICE TRIPLI	Passo Catena	Newton	A	B	C	D	E	E min	F	G	H	L	B1	B2	B3	R	PESO Kg.
LP 1	94010901	94010902	94010903	3/8"	210	60	25	56	76	140	110	4	10,5	70	12,5	20	20	25	42	0,57
LP 1	94011201	94011202	94011203	1/2"	210	60	25	56	76	140	110	4	10,5	70	12,5	20	20	35	42	0,57
LP 2	94011501	94011502	94011503	5/8"	300	60	25	56	76	145	115	4	12,5	85	12,5	20	25	40	50	0,58
LP 2	94011901	94011902	94011903	3/4"	300	60	25	56	76	145	115	4	12,5	85	12,5	20	30	49	50	0,58
LP 3	94012501	94012502	94012503	1"	450	60	25	56	76	150	120	4	12,5	100	12,5	20	45	78	58	0,60
LP 3	94013101	94013102	94013103	1" 1/4	450	60	25	56	76	150	120	4	12,5	100	12,5	20	54	90	58	0,60
LP 3	94013801	94013802	94013803	1" 1/2	450	60	25	56	76	150	120	4	12,5	100	12,5	20	70	119	58	0,60

A richiesta è fornibile la struttura base in poliammide 66 FV 50

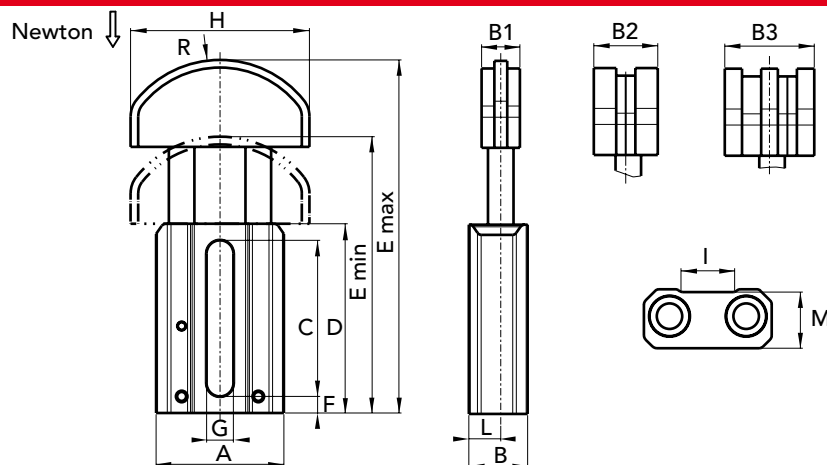


Disegni CAD disponibili sul sito  
[www.chiaravalli.com](http://www.chiaravalli.com)

Quantità, disponibilità e prezzi  
 con B2B Chiaravalli



- Tenditore AS con pattino tendicatena in polietilene UHMW ad alto peso molecolare (1.000.000)  
Disponibile in diversi colori
- Profilo ad ellisse per una maggior superficie di contatto
- Boccole autolubrificanti a secco con PTFE standard
- Fornibile versione con perni, molle, spine e rondelle inox

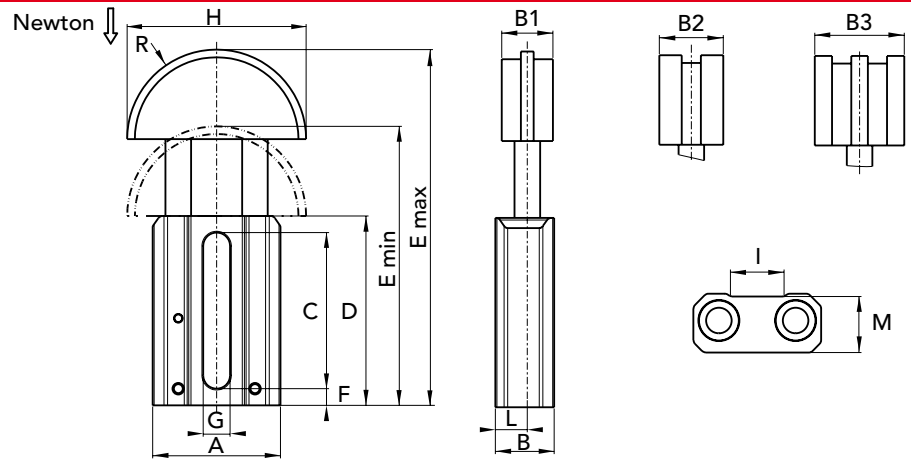


TIPO	CODICE SEMPLICI	CODICE DOPPI	CODICE TRIPLI	Newton	Passo catena	A	B	B1	B2	B3	C	D	E min	E max	F	G	H	I	L	M	R	PESO Kg.
ASGE1 - 3/8"	94000901N	94000902N	94000903N	240	3/8"x7/32"	50	23	20	20	26	61	74	110	138	6,5	10,5	68	20	12,5	22	42	0,24
ASGE1 - 1/2"	94001201N	94001202N	94001203N	240	1/2"x5/16"	50	23	20	20	34,5	61	74	110	138	6,5	10,5	68	20	12,5	22	42	0,24
ASGE1 - 5/8"	94001501N	94001502N	94001503N	240	5/8"x3/8"	50	23	20	25	41,5	61	74	110	138	6,5	10,5	68	20	12,5	22	42	0,24
ASGE2 - 5/8"	94001511N	94001512N	94001513N	420	5/8"x3/8"	67	28	20	25	41,5	73	87	133	170	7	12,5	88	25	15	25,5	54	0,44
ASGE2 - 3/4"	94001911N	94001912N	94001913N	420	3/4"x7/16"	67	28	20	30	49	73	87	133	170	7	12,5	88	25	15	25,5	54	0,45
ASGE2 - 1"	94002501N	94002502N	-	420	1"x17 mm	67	28	25	45	-	73	87	133	170	7	12,5	88	25	15	25,5	54	0,46
ASGE3 - 1"	94002511N	94002512N	94002513N	650	1"x17 mm	80	32,5	25	45	78	88	104	160	202	8	14,5	108	29,5	17,5	28,5	66	0,75
ASGE3 - 1"1/4	94003101N	94003102N	94003103N	650	1"1/4x3/4"	80	32,5	25	54	90	88	104	160	202	8	14,5	108	29,5	17,5	28,5	66	0,75
ASGE3 - 1"1/2	94003801N	94003802N	94003803N	650	1"1/2x1"	80	32,5	25	71	119	88	104	160	202	8	14,5	108	29,5	17,5	28,5	66	0,75
ASGE3 - 1"3/4	94004401N	-	-	650	1"3/4x1"1/4	80	32,5	30	-	-	88	104	160	202	8	14,5	108	29,5	17,5	28,5	66	0,80
ASGE3 - 2"	94005001N	-	-	650	2"x1"1/4	80	32,5	30	-	-	88	104	160	202	8	14,5	108	29,5	17,5	28,5	66	0,80





- Tenditore AS con pattino tendicatena in polietilene UHMW ad alto peso molecolare (1.000.000)  
Disponibile in diversi colori
- Profilo semicerchio per rinvio a 180°
- Boccole autolubrificanti a secco con PTFE standard
- Fornibile versione con perni, molle, spine e rondelle inox



TIPO	CODICE SEMPLICI	CODICE DOPPI	CODICE TRIPLI	Newton	Passo catena	A	B	B1	B2	B3	C	D	E min	E max	F	G	H	I	L	M	R	PESO Kg.
ASGO1 - 3/8"	94100901N	94100902N	94100903N	240	3/8x7/32"	50	23	20	20	26	61	74	110	138	6,5	10,5	70	20	12,5	22	35	0,24
ASGO1 - 1/2"	94101201N	94101202N	94101203N	240	1/2"x5/16"	50	23	20	20	34,5	61	74	110	138	6,5	10,5	70	20	12,5	22	35	0,24
ASGO1 - 5/8"	94101501N	94101502N	94101503N	240	5/8"x3/8"	50	23	20	25	41,5	61	74	110	138	6,5	10,5	70	20	12,5	22	35	0,24
ASGO2 - 5/8"	94101511N	94101512N	94101513N	420	5/8"x3/8"	67	28	20	25	41,5	73	87	133	170	7	12,5	90	25	15	25,5	45	0,42
ASGO2 - 3/4"	94101901N	94101902N	94101903N	420	3/4"x7/16"	67	28	20	30	49	73	87	133	170	7	12,5	90	25	15	25,5	45	0,42
ASGO2 - 1"	94102501N	94102502N	94102503N	420	1"x17 mm	67	28	25	45	-	73	87	133	170	7	12,5	90	25	15	25,5	45	0,42
ASGO3 - 1"	94102511N	94102512N	94102513N	650	1"x17 mm	80	32,5	25	45	78	88	104	160	202	8	14,5	110	29,5	17,5	28,5	55	0,74
ASGO3 - 1"1/4	94103101N	94103102N	94103103N	650	1"1/4x3/4"	80	32,5	25	54	90	88	104	160	202	8	14,5	110	29,5	17,5	28,5	55	0,74
ASGO3 - 1"1/2	94103801N	94103802N	94103803N	650	1"1/2x1"	80	32,5	25	71	119	88	104	160	202	8	14,5	110	29,5	17,5	28,5	55	0,74
ASGO3 - 1"3/4	94104401N	-	-	650	1"3/4x1"1/4	80	32,5	30	-	-	88	104	160	202	8	14,5	110	29,5	17,5	28,5	55	0,79
ASGO3 - 2"	94105001N	-	-	650	2"x1"1/4	80	32,5	30	-	-	88	104	160	202	8	14,5	110	29,5	17,5	28,5	55	0,79

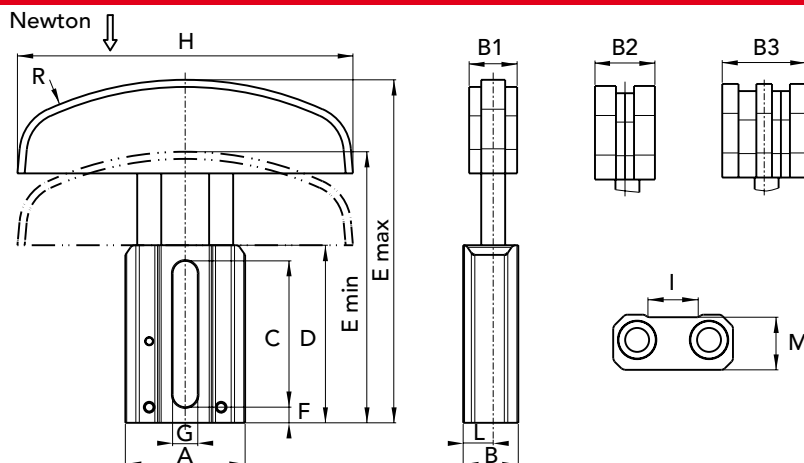


Disegni CAD disponibili sul sito  
[www.chiaravalli.com](http://www.chiaravalli.com)

Quantità, disponibilità e prezzi  
 con B2B Chiaravalli



- Tenditore AS con pattino tendicatena in polietilene UHMW ad alto peso molecolare (1.000.000)  
Disponibile in diversi colori
- Profilo ad arco per lunghi tratti di catena
- Boccole autolubrificanti a secco con PTFE standard
- Fornibile versione con perni, molle, spine e rondelle inox



TIPO	CODICE SEMPLICI	CODICE DOPPI	CODICE TRIPLI	Newton	Passo catena	A	B	B1	B2	B3	C	D	E min	E max	F	G	H	I	L	M	R	PESO Kg.
ASGA1 - 3/8"	94200901N	94200902N	94200903N	240	3/8x7/32"	50	23	20	20	26	61	74	115	143	6,5	10,5	140	20	12,5	22	120	0,26
ASGA1 - 1/2"	94201201N	94201202N	94201203N	240	1/2"x5/16"	50	23	20	20	34,5	61	74	115	143	6,5	10,5	140	20	12,5	22	120	0,26
ASGA1 - 5/8"	94201501N	94201502N	94201503N	240	5/8"x3/8"	50	23	20	25	41,5	61	74	115	143	6,5	10,5	140	20	12,5	22	120	0,26
ASGA2 - 5/8"	94201511N	94201512N	94201513N	420	5/8"x3/8"	67	28	20	25	41,5	73	87	128	164	7	12,5	140	25	15	25,5	140	0,48
ASGA2 - 3/4"	94201901N	94201902N	94201903N	420	3/4"xx7/16"	67	28	20	30	49	73	87	128	164	7	12,5	140	25	15	25,5	140	0,50
ASGA3 - 1"	94202511N	94202512N	94202513N	650	1"x17 mm	80	32,5	25	45	78	88	104	145	187	8	14,5	140	29,5	17,5	28,5	160	0,74
ASGA3 - 1"1/4	94203101N	94203102N	94203103N	650	1"1/4x3/4"	80	32,5	25	54	90	88	104	145	187	8	14,5	140	29,5	17,5	28,5	160	0,74
ASGA3 - 1"1/2	94203801N	94203802N	94203803N	650	1"1/2x1"	80	32,5	25	71	119	88	104	145	187	8	14,5	140	29,5	17,5	28,5	160	0,74
ASGA3 - 1"3/4	94204401N	-	-	650	1"3/4x1"1/4	80	32,5	30	-	-	88	104	145	187	8	14,5	140	29,5	17,5	28,5	160	0,79
ASGA3 - 2"	94205001N	-	-	650	2"x1"1/4	80	32,5	30	-	-	88	104	145	187	8	14,5	140	29,5	17,5	28,5	160	0,79





TENDITORI ROTANTI BRAND CHT®



TENDITORI ROTANTI BRAND CHT®



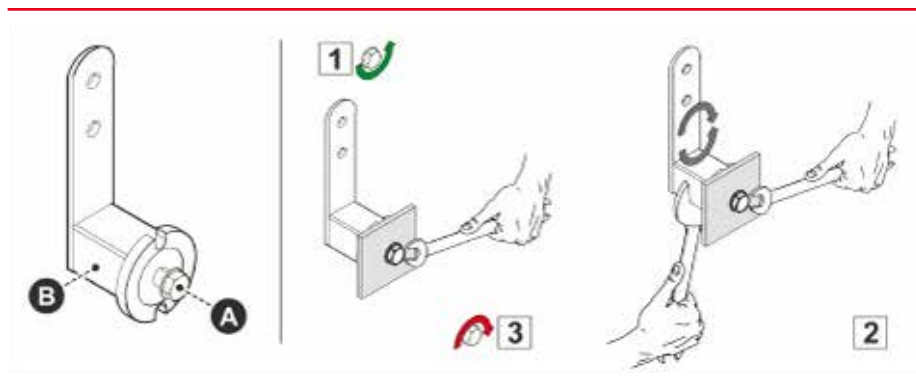


## SERIE E

- 1) Allentare leggermente la vite di fissaggio "A".
- 2) Ruotare il tenditore "B" nella direzione voluta con una seconda chiave, posta sul quadro del corpo base.
- 3) Bloccare la vite "A".

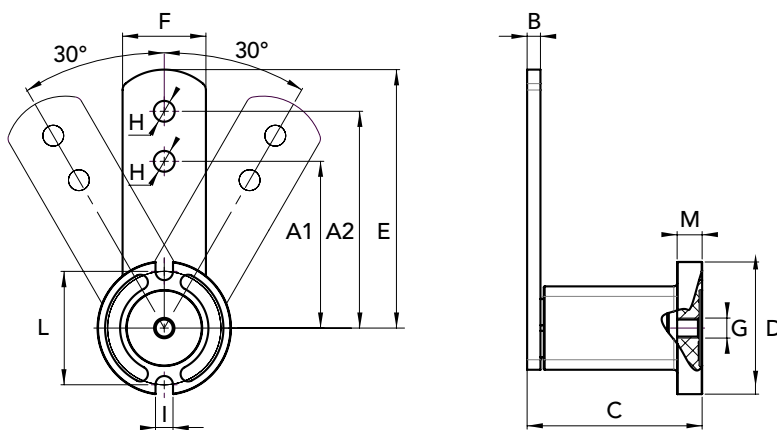
### NOTA

In caso di superfici irregolari o applicazioni gravose, è consigliato l'utilizzo di un perno antirotazione, utilizzando uno dei due incavi presenti sulla base del tenditore.





- Tenditore E con due fori per fissaggio accessori
- Elementi elastici in gomma
- Fornibile versione inox

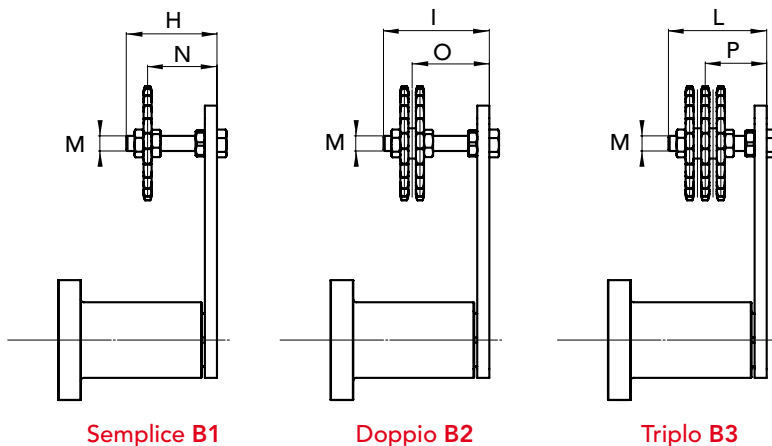


TIPO	CODICE	Newton A2	Newton A1	A1	A2	B	C	D	E	F	G	H	I	L	M	PESO Kg.
E 1	94070001	0 - 90	0 - 110	60	80	5	50	35	90	20	M6	8,5	7	31	6	0,18
E 2	94070002	0 - 130	0 - 160	80	100	5	63	45	112,5	30	M8	10,5	9	41	8	0,35
E 3	94070003	0 - 330	0 - 410	80	100	6	77	59	115	35	M10	10,5	9	48	10	0,60
E 4	94070004	0 - 800	0 - 1000	100	130	8	107	79	155	50	M12	12,5	11	63	15	1,90
E 5	94070005	0 - 1500	0 - 1850	140	175	10	139	98	205	60	M16	20,5	13	84	15	3,80
E 6	94070006	0 - 2500	0 - 3100	180	225	12	199	118	260	70	M20	20,5	13	100	18	6,50
E 7	94070007	0 - 3800	0 - 4800	200	250	20	210	128	290	80	M24	20,5	17	107	20	9,00





- Tenditore E con pignone tendicatena R (semplice, doppio o triplo)
- Elementi elastici in gomma
- Fornibile versione inox



Semplice B1

Doppio B2

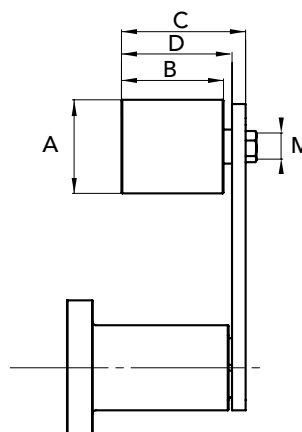
Triplo B3

TIPO	CODICE SEMPLICE	CODICE DOPPIO	CODICE TRIPLO	Passo Catena	H	I	L	M	N	O	P	PESO Kg.
ER 2 - 3/8	94070921	94070922	-	3/8x7/32"	55	55	-	M10	22-43	27-39	-	0,48
ER 3 - 3/8	94070931	94070932	94070933	3/8x7/32"	55	60	70	M10	23-43	28-39	33-48	0,73
ER 3 - 1/2	94071231	94071232	-	1/2"x5/16"	55	60	-	M10	23-44	30-37	-	0,81
ER 4 - 1/2	-	-	94071243	1/2"x5/16"	-	-	80	M12	-	-	41-51	2,50
ER 4 - 5/8	94071541	94071542	94071543	5/8"x3/8"	80	80	80	M12	27-65	36-57	43-50	2,28
ER 4 - 3/4	94071941	94071942	-	3/4"x7/16"	80	80	-	M12	27-65	37-56	-	2,46
ER 5 - 5/8	-	-	94071553	5/8"x3/8"	-	-	120	M20	-	-	56-84	5,00
ER 5 - 3/4	94071951	94071952	94071953	3/4"x7/16"	100	120	120	M20	40-80	50-90	59-80	4,61
ER 5 - 1	94072551	94072552	-	1"x17 mm	100	120	-	M20	40-80	55-84	-	5,43
ER 6 - 1	-	-	94072563	1"x17 mm	-	-	160	M20	-	-	74-108	9,50
ER 6 - 1 1/4	94073161	94073162	94073163	1"1/4x3/4"	100	140	160	M20	40-80	60-120	78-105	9,28
ER 6 - 1 1/2	94073861	94073862	94073863	1"1/2x1"	140	140	180	M20	40-120	65-97	90-111	9,33





- Tenditore E con rullo tendicinghia RU
- Elementi elastici in gomma
- Fornibile versione inox



TIPO	CODICE ALLUMINIO	CODICE ACCIAIO	CODICE POLIAMMIDE	A	B	C	D	M	PESO Kg.	PESO Kg.	PESO Kg.
									ALLUMINIO	ACC.	PA
ERU 1 - 3035	94073501	94073521	94073511	30	35	51	43	M8	0,27	0,33	0,25
ERU 2 - 4045	94074502	94074522	94074512	40	45	67	56	M10	0,57	0,68	0,53
ERU 2 - 5050	94075002	94075022	94075012	50	50	69	58	M12	0,64	0,95	0,58
ERU 3 - 4045	94074503	94074523	94074513	40	45	67	57	M10	0,82	0,93	0,78
ERU 3 - 5050	94075003	94075023	94075013	50	50	69	59	M12	0,89	1,20	0,83
ERU 4 - 6060	94076004	94076024	94076014	60	60	89	76	M12	2,35	2,98	2,24
ERU 5 - 8080	94078005	94078025	94078015	80	90	127	109	M20	4,90	6,50	4,40
ERU 6 - 8090	-	-	94079016	90	135	169	154	M20	-	-	7,60

MATERIALE RULLO: POLIAMMIDE (PA)  
 ALLUMINIO (AL)  
 ACCIAIO ZINCATO (AC)

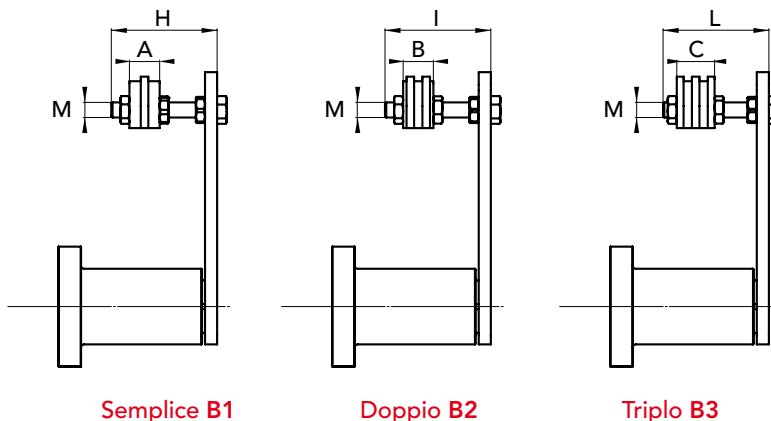
Disegni CAD disponibili sul sito  
[www.chiaravalli.com](http://www.chiaravalli.com)

Quantità, disponibilità e prezzi  
 con B2B Chiaravalli





- Tenditore E con pattino tendicatena in polietilene UHMW ad alto peso molecolare (1.000.000)  
Disponibile in diversi colori
- Fornito con kit boccola che permette il movimento folle del pattino
- Elementi elastici in gomma



Semplice B1

Doppio B2

Triplo B3

TIPO	CODICE SEMPLICE	CODICE DOPPIO	CODICE TRIPLO	Passo Catena	A	B	C	H	I	L	M	PESO Kg.
EGE 1 - 3/8	94070901	94070902	-	3/8 X 7/32"	20	20	-	45	45	-	M8	0,30
EGE 2 - 3/8	-	-	94070903	3/8 X 7/32"	-	-	25	-	-	45	M10	0,50
EGE 2 - 1/2	94071201	94071202	-	1/2" X 5/16"	20	20	-	55	55	-	M10	0,50
EGE 3 - 1/2	94071211	94071212	94071213	1/2" X 5/16"	20	20	35	55	60	70	M10	0,75
EGE 3 - 5/8	94071501	94071502	-	5/8" X 3/8"	20	25	-	55	70	-	M10	0,78
EGE 3 - 3/4	94071901	94071902	-	3/4" X 7/16"	20	30	-	60	70	-	M10	0,80
EGE 4 - 5/8	-	-	94071503	5/8" X 3/8"	-	-	40	-	-	100	M12	2,10
EGE 4 - 3/4	94071911	94071912	94071913	3/4" X 7/16"	20	30	49	80	80	100	M12	2,10
EGE 4 - 1	94072501	94072502	94072503	1" X 17 mm	20	45	78	80	90	100	M12	2,20
EGE 5 - 1	-	94072512	94072513	1" X 17 mm	-	45	78	-	100	120	M20	4,00
EGE 5 - 1 1/4	94073101	94073102	94073103	1"1/4 x 3/4"	20	54	90	100	120	130	M20	4,20
EGE 5 - 1 1/2	94073801	94073802	94073803	1"1/2 x 1"	20	71	119	100	120	130	M20	4,20

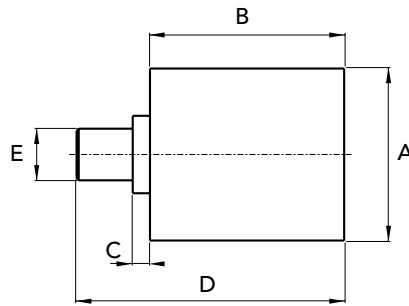
TENDICATENA ROTANTE CHT - EGE







- Rulli tendicinghia forniti completi di viti e cuscinetti
- Forniti in alluminio, acciaio zincato o in materiale plastico



TIPO	CODICE ACCIAIO	CODICE ALLUMINIO	CODICE POLIAMMIDE	A	B	C	D	E	PESO Kg. ACCIAIO	PESO Kg. ALLUMINIO	PESO Kg. PA
RU 3035	94040235	94040035	94040135	30	35	2	51	M8	0,15	0,09	0,07
RU 4045	94040245	94040045	94040145	40	45	6	67	M10	0,33	0,22	0,18
RU 5050	94040250	94040050	94040150	50	50	2,5	70	M12	0,60	0,29	0,23
RU 6060	94040260	94040060	-	60	60	2,5	80	M12	1,08	0,45	-
RU 6060	-	-	94040160	60	60	8	85	M12	-	-	0,34
RU 8080	94040280	94040080	94040180	80	80	2,5	100	M12	2,70	1,10	0,60
RU 8090	-	-	94040190	80	90	8,5	125	M20	-	-	1,10
RU 90135	-	-	94040135	90	135	8,5	170	M20	-	-	1,70

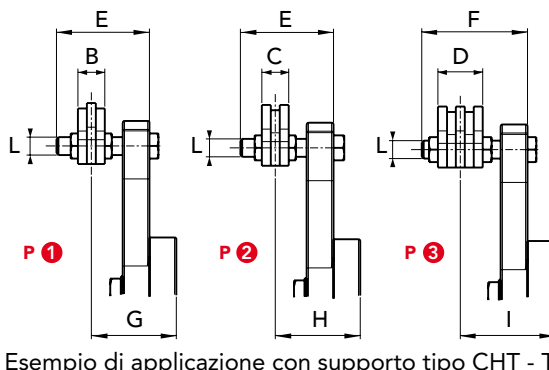
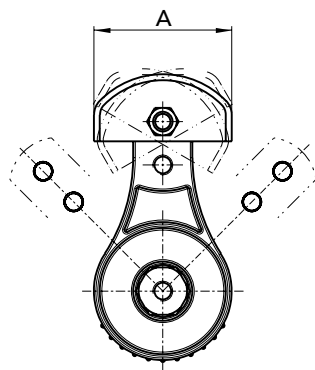


Disegni CAD disponibili sul sito  
[www.chiaravalli.com](http://www.chiaravalli.com)

Quantità, disponibilità e prezzi  
 con B2B Chiaravalli



Esempio di applicazione pattino CHT - P  
con tenditore rotante tipo CHT - T



Esempio di applicazione con supporto tipo CHT - T

· Elemento tenditore CHT - P  
pattino folle in polietilene UHMW  
ad alta densità molecolare (1.000.000)  
Disponibile in diversi colori

- 1 Semplice "P1"
- 2 Doppio "P2"
- 3 Triplo "P3"

PATTINO TENDITORE CHT - P

3

TIPO	CODICE SEMPLICE	CODICE DOPPI	CODICE TRIPLI	Passo Catena	A	B	C	D	E	F	G	H	I	L	PESO Kg.
P 1	94050901	-	-	3/8"	70	20	-	-	60	-	40-58	-	-	M12	0,10
P 1	94051201	-	-	1/2"	70	20	-	-	60	-	40-58	-	-	M12	0,11
P 1	94051501	-	-	5/8"	85	20	-	-	80	-	40-78	-	-	M12	0,17
P 1	94051901	-	-	3/4"	85	20	-	-	80	-	46-81	-	-	M12	0,19
P 1	94052501	-	-	1"	100	20	-	-	100	-	46-100	-	-	M12	0,28
P 2	-	94050902	-	3/8"	70	-	20	-	60	-	-	40-58	-	M12	0,11
P 2	-	94051202	-	1/2"	70	-	20	-	60	-	-	40-58	-	M12	0,11
P 2	-	94051502	-	5/8"	85	-	25	-	80	-	-	43-75	-	M12	0,17
P 2	-	94051902	-	3/4"	85	-	30	-	80	-	-	51-76	-	M12	0,21
P 2	-	94052502	-	1"	100	-	45	-	100	-	-	59-88	-	M12	0,32
P 3	-	-	94050903	3/8"	70	-	-	25	-	80	-	-	43-75	M12	0,15
P 3	-	-	94051203	1/2"	70	-	-	35	-	80	-	-	48-70	M12	0,18
P 3	-	-	94051503	5/8"	85	-	-	40	-	80	-	-	50-68	M12	0,26
P 3	-	-	94051903	3/4"	85	-	-	49	-	100	-	-	61-86	M12	0,35

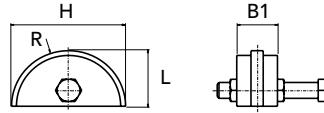




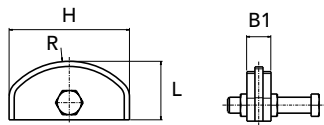
- Pattini tendicatena in polietilene UHMW ad alto peso molecolare (1.000.000)
- Forniti con kit boccola che permette il movimento folle del pattino  
Disponibile in diversi colori

GO

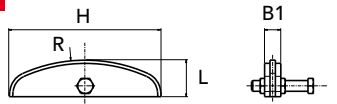
Semplice B1



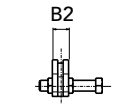
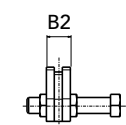
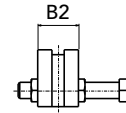
GE



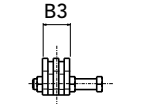
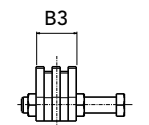
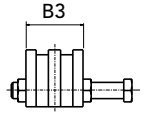
GA



Doppio B2



Triplo B3



TIPO	CODICE SEMPLICI	CODICE DOPPIE	CODICE TRIPLE	PASSO CATENA	B1	B2	B3	L	H	R	PESO Kg.
GA - 3/8"	94080901	94080902	94080903	3/8 x 7/32"	20	20	26	40	140	120	0,16
GA - 1/2"	94081201	94081202	94081203	1/2" x 5/16"	20	20	34,5	40	140	120	0,16
GA - 5/8"	94081501	94081502	94081503	5/8" x 3/8"	20	25	41,5	40	140	140	0,23
GA - 3/4"	94081901	94081902	94081903	3/4" x 7/16"	20	30	49	40	140	140	0,23
GA - 1"	94082501	94082502	94082503	1" x 17 mm	25	45	78	40	140	160	0,30
GA - 1"1/4	94083101	94083102	94083103	1"1/4 x 3/4"	25	54	90	40	140	160	0,30
GA - 1"1/2	94083801	94083802	94083803	1"1/2 x 1"	25	71	119	40	140	160	0,30
GE - 3/8"	94090901	94090902	94090903	3/8 x 7/32"	20	20	26	35	68	42	0,10
GE - 1/2"	94091201	94091202	94091203	1/2" x 5/16"	20	20	34,5	35	68	42	0,11
GE - 5/8"	94091501	94091502	94091503	5/8" x 3/8"	20	25	41,5	45	88	54	0,17
GE - 3/4"	94091901	94091902	94091903	3/4" x 7/16"	20	30	49	45	88	54	0,19
GE - 1"	94092501	94092502	94092503	1" x 17 mm	25	45	78	55	108	66	0,28
GE - 1"1/4	94093101	94093102	94093103	1"1/4 x 3/4"	25	54	90	55	108	66	0,28
GE - 1"1/2	94093801	94093802	94093803	1"1/2 x 1"	25	71	119	55	108	66	0,28
GO - 3/8"	94110901	94110902	94110903	3/8 x 7/32"	20	20	26	35	70	35	0,10
GO - 1/2"	94111201	94111202	94111203	1/2" x 5/16"	20	20	34,5	35	70	35	0,11
GO - 5/8"	94111501	94111502	94111503	5/8" x 3/8"	20	25	41,5	45	90	45	0,17
GO - 3/4"	94111901	94111902	94111903	3/4" x 7/16"	20	30	49	45	90	45	0,19
GO - 1"	94112501	94112502	94112503	1" xs 17 mm	25	45	78	55	110	55	0,28
GO - 1"1/4	94113101	94113102	94113103	1"1/4 x 3/4"	25	54	90	55	110	55	0,28
GO - 1"1/2	94113801	94113802	94113803	1"1/2 x 1"	25	71	119	55	110	55	0,28



GO



GE



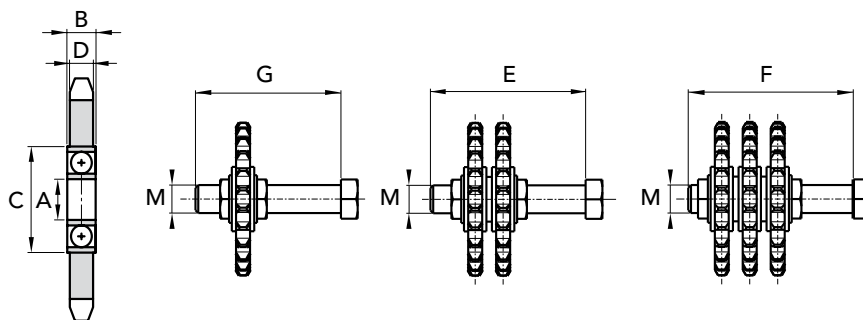
GA

Disegni CAD disponibili sul sito  
[www.chiaravalli.com](http://www.chiaravalli.com)

Quantità, disponibilità e prezzi  
con B2B Chiaravalli



- Pignoni tendicatena zincati completi di cuscinetti a sfere 2Z autolubrificanti ed accessori per il montaggio sui tenditori CHT-L, CHT-T, CHT-AS e CHT-E.



TIPO	CODICE SEMPLICI	CODICE DOPPI	CODICE TRIPLI	Passo Catena	Z denti	A	B	C	D h14	M	G	E	F
R	94060911	94060912	-	3/8"	15	10	8	26	5,3	M10	55	55	-
R	94060901	94060902	94060903	3/8"	15	12	8	28	5,3	M12	60	60	80
R	94061201	94061202	94061203	1/2"	15	12	10	32	7,2	M12	60	60	80
R	94061211	94061212	-	1/2"	15	10	9	30	7,2	M10	55	60	-
R	94061501	94061502	94061503	5/8"	15	12	10	32	9,1	M12	80	80	80
R	-	-	94061523	5/8"	15	20	12	42	9,1	M20	-	-	120
R	94061901	94061902	94061903	3/4"	15	12	12	37	11,1	M12	80	80	100
R	94061921	94061922	94061923	3/4"	15	20	14	47	11,1	M20	100	120	120
R	94062501	94062502	-	1"	12	12	12	37	16,2	M12	100	100	-
R	94062521	94062522	94062523	1"	12	20	15	47	16,2	M20	100	120	160
R	94063121	94063122	94063123	1"1/4	13	20	15	52	18,5	M20	100	140	160
R	94063821	94063822	94063823	1"1/2	11	20	15	52	24,1	M20	140	140	180

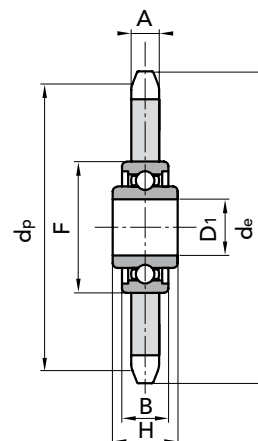
TIPO	CODICI SEMPLICI	PESO Kg. SEMPLICI	CODICI DOPPI	PESO Kg. DOPPI	CODICI TRIPLI	PESO Kg. TRIPLI
R	94060911	0,15	94060912	0,23	-	-
R	94060901	0,13	94060902	0,21	94060903	0,26
R	94061201	0,18	94061202	0,35	94061203	0,50
R	94061211	0,20	94061212	0,37	-	-
R	94061501	0,35	94061502	0,60	94061503	0,95
R	-	-	-	-	94061523	1,30
R	94061901	0,55	94061902	1,00	94061903	1,40
R	94061921	0,85	94061922	1,35	94061923	1,60
R	94062501	0,90	94062502	1,70	-	2,50
R	94062521	1,00	94062522	1,90	94062523	2,70
R	94063121	2,00	94063122	3,60	94063123	5,20
R	94063821	2,35	94063822	4,00	94063823	5,80



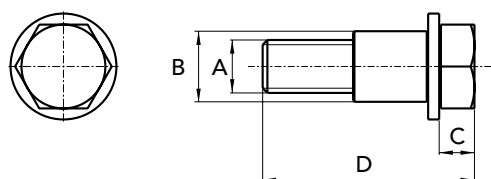


## COMPLETI DI CUSCINETTO NAZIONALE

I nostri tendicatena sono completi di cuscinetto, pronti al montaggio in particolari punti di tensione oppure di rinvio. L'accurata lavorazione ed il montaggio stabile su di un cuscinetto a sfere, a doppio schermo di protezione, permettono una maggiore resistenza ai carichi ed all'usura. L'anello centrale del cuscinetto "allungato", permette un facile montaggio su macchinari speciali di ogni tipo.



Z	PASSO	d <sub>e</sub>	d <sub>p</sub>	CODICE	A	D1	F	B	H	kg.
23	8 x 3	62,15	58,75	30008023	2,8	16 $+0,26$ / $+0,13$	40	12	18,3	0,13
21	3/8" x 7/32"	68,00	63,90	30009021	5,3	16 $+0,26$ / $+0,13$	40	12	18,3	0,15
22	3/8" x 7/32"	71,00	66,93	30009022	5,3	16 $+0,26$ / $+0,13$	40	12	18,3	0,16
18	1/2" x 1/8"	78,90	73,14	30010018	3,0	16 $+0,26$ / $+0,13$	40	12	18,3	0,18
15	1/2" x 3/16"	66,80	61,09	30011015	4,5	16 $+0,26$ / $+0,13$	40	12	18,3	0,16
16	1/2" x 3/16"	70,90	65,10	30011016	4,5	16 $+0,26$ / $+0,13$	40	12	18,3	0,17
18	1/2" x 3/16"	78,90	73,13	30011018	4,5	16 $+0,26$ / $+0,13$	40	12	18,3	0,20
14	1/2" x 5/16"	61,80	57,07	30012014	7,2	16 $+0,26$ / $+0,13$	40	12	18,3	0,13
16	1/2" x 5/16"	69,50	65,10	30012016	7,2	16 $+0,26$ / $+0,13$	40	12	18,3	0,17
18	1/2" x 5/16"	77,80	73,14	30012018	7,2	16 $+0,26$ / $+0,13$	40	12	18,3	0,22
14	5/8" x 3/8"	78,00	71,34	30015014	9,1	16 $+0,26$ / $+0,13$	40	12	18,3	0,23
15	5/8" x 3/8"	83,00	76,36	30015015	9,1	16 $+0,26$ / $+0,13$	40	12	18,3	0,27
17	5/8" x 3/8"	93,00	86,39	30015017	9,1	16 $+0,26$ / $+0,13$	40	12	18,3	0,36
13	3/4" x 7/16"	87,50	79,59	30019013	11,1	16 $+0,26$ / $+0,13$	40	12	18,3	0,34
15	3/4" x 7/16"	99,80	91,63	30019015	11,1	16 $+0,26$ / $+0,13$	40	12	18,3	0,47
12	1" x 17.02	109,00	98,14	30025012	16,2	20 $+0,1$	47	14	17,7	0,72
13	1"1/4 x 3/4"	147,80	132,65	30031013	18,5	25 $+0,1$	52	15	21,0	1,64



TIPO	CODICE	A	B	C	D	Kg.
KIT TN 16	KTN16	M12	16	8	48	0,06
KIT TN 20	KTN20	M12	20	8	53	0,07

Il kit di fissaggio Serie TN facilita il montaggio del tendicatena TN sui nostri tenditori automatici Serie T, AS, L

Il kit e' composto da vite con testa esagonale, rondella e boccola.







# PRODUZIONE

# COMPONENTI SPECIALI

3

*Produciamo ingranaggi e componenti meccanici di alta precisione.*

*Una vasta e variegata gamma di moderne macchine a CNC assicura capacità produttiva e qualità di elevato livello. Il personale Chiaravalli Group SpA altamente specializzato e con grande spirito di appartenenza all'azienda, opera avvalendosi delle più moderne tecnologie CAE e CAD-CAM.*

*La produzione è certificata e garantita attraverso l'utilizzo di macchine tridimensionali di misura di elevata precisione.*

***Chiaravalli Group SpA partner tecnologico per produzioni di alta qualità.***





# MARTINETTI

# MECCANICI

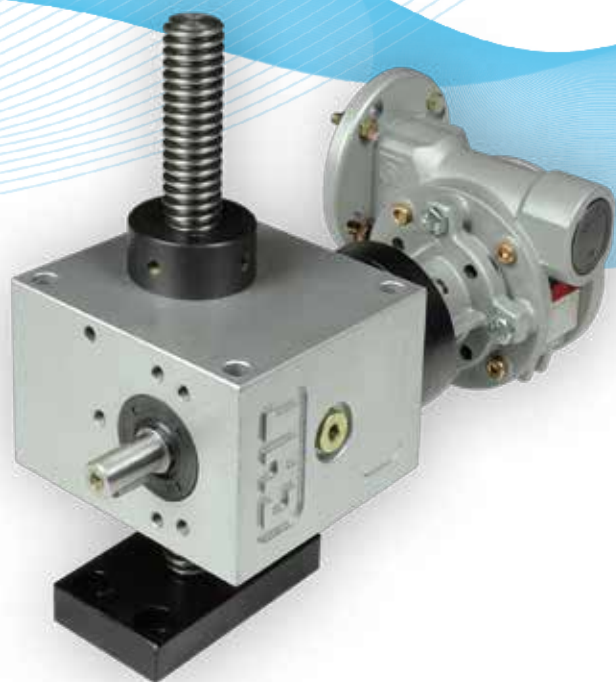
*La nuova linea di prodotto Martinetti Meccanici denominata CHT (Chiaravalli High Tech) si integra e completa la gamma degli articoli destinati alla Trasmissione Meccanica.*

*La nuova linea di prodotti è realizzata utilizzando materiali di alta qualità, lavorati con precisioni assolute, usufruendo del moderno parco macchine di aziende appartenenti alla Chiaravalli Group SpA.*

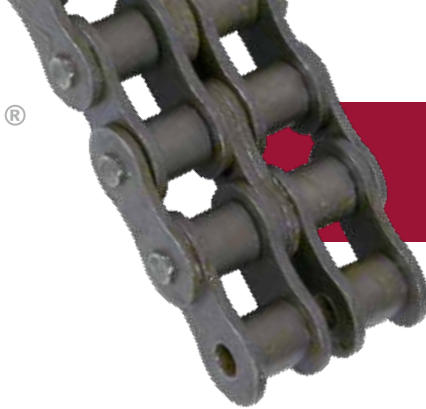
*Gli elementi base che compongono il prodotto finale Martinetto sono realizzati in grandi serie, rigorosamente controllati e posti a magazzino.*

*Uno speciale software realizzato dalla Chiaravalli Group SpA permette ai nostri clienti di combinare omogeneamente i vari elementi e di realizzare prima, in versione virtuale il martinetto richiesto e poi, in seconda fase, di ordinarlo con assoluta precisione.*

*L'impegno della Chiaravalli Group SpA è di garantire la consegna di questo prodotto in tempi ristrettissimi, con qualità e precisioni garantite.*







## CATENE

CATENE A RULLI <b>TPM</b> <sup>®</sup>	pag. 3
CATENE A RULLI <b>QRC</b> <sup>®</sup>	5
CATENE A RULLI <b>CRT</b> <sup>®</sup>	11

## GUIDA CATENE

GUIDA CATENE	14
SUPPORTI METALLICI	19



**GIUNTO**

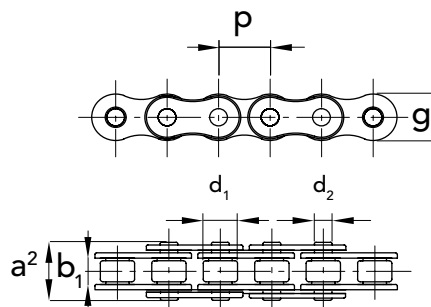


**FALSA**



CATENE PRODOTTE DA  
AZIENDA CERTIFICATA  
**ISO 9001**

Confezioni da 10m e 100m



f = superficie resistente

## SEMPLICE

ISO N.	CODICE CATENA	CODICE GIUNTO	CODICE FALSA	P		b <sub>1</sub> min. mm	d <sub>2</sub> mm	d <sub>1</sub> max mm	a <sup>2</sup> max mm	g max mm	f cm <sup>2</sup>	caric. rott. N. mm <sup>2</sup>	kg/m =
				mm	inch								
081-1	70110008	70110058	70110088	12,7	1/2"	3,3	3,59	7,75	10,2	9,9	0,2	7200	0,28
083-1	70111008	70111058	70111088	12,7	1/2"	4,88	4,09	7,75	12,9	10,3	0,32	9200	0,42
084-1	70171008	70171058	70171088	12,7	1/2"	4,88	4,09	7,75	14,8	11,15	0,35	11000	0,59
084-1	72171008	-	-	12,7	1/2"	-	-	7,75	-	-	-	-	-

N.B. Tutte le catene TPM® sono sottoposte a pre-tensionamento di 2/3 rispetto al carico di rottura minimo per stabilizzarne dimensioni e allungamento.

Disegni CAD disponibili sul sito  
[www.chiaravalli.com](http://www.chiaravalli.com)

Quantità, disponibilità e prezzi  
con B2B Chiaravalli





# CATENE A RULLI SERIE EUROPEA E AMERICANA QRC®



**FALSA  
SEMPLICE**



(\*)

**GIUNTO**

**SEMPLICE - MOLLETTA**



SOLO PER  
ARTICOLO  
O5 B1

**FALSA  
TRIPLA**



(◆)

**GIUNTO**

**SEMPLICE - COPPIGLIA**



**FALSA  
DOPPIA**



**GIUNTO  
DOPPIO**



**FALSA  
TRIPLA**



**GIUNTO  
TRIPLO**

(\*) GIUNTI con MOLLETTA

(\*) GIUNTI con MOLLETTA cod. ....5057

(◆) e/o COPPIGLIA cod. ....5157

(◆) GIUNTI con COPPIGLIA

da 04 (B1, B2 e B3)  
a 12 (B1, B2 e B3)

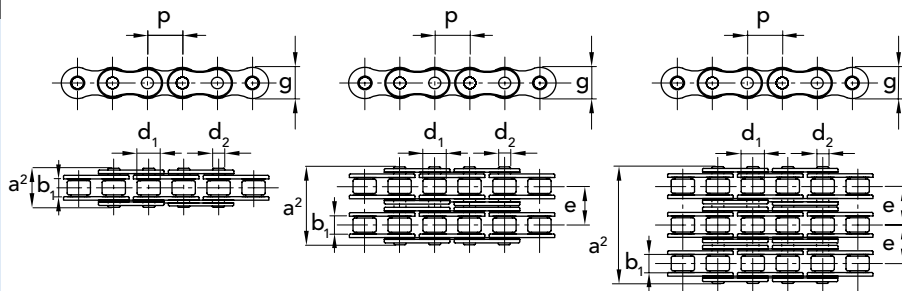
16 (B1, B2 e B3)

da 20 (B1, B2 e B3)  
a 32 (B1, B2 e B3)



CATENE PRODOTTE DA  
AZIENDA CERTIFICATA  
ISO 9001

Confezioni da 5m



f = superficie resistente

## SEMPLICE

ISO N.	CODICE	CODICE GIUNTO	CODICE FALSA	P		b <sub>1</sub> min. mm	d <sub>2</sub> mm	d <sub>1</sub> max mm	a <sup>2</sup> max mm	g max mm	f cm <sup>2</sup>	caric. rott. N. mm <sup>2</sup>	kg/m =
				mm	inch								
04 B-1	70106007	70106057	70106087	6	-	2,80	1,85	4	7,4	5	0,07	2800	0,12
05 B-1	70108007	70108057	70108087	8	-	3,00	2,31	5	8,6	7,11	0,11	4700	0,18
06 B-1	70109007	70109057	70109087	9,525	3/8"	5,72	3,28	6,35	13,5	8,26	0,28	8200	0,4
08 B-1	70112007	70112057	70112087	12,7	1/2"	7,75	4,45	8,51	17	11,81	0,5	16400	0,68
10 B-1	70115007	70115057	70115087	15,875	5/8"	9,65	5,08	10,16	19,6	14,73	0,67	20500	0,91
12 B-1	70119007	70119057	70119087	19,05	3/4"	11,68	5,72	12,07	22,7	16,13	0,89	26500	1,12
16 B-1	70125007	70125057	70125087	25,40	1"	17,02	8,28	15,88	36,1	21,08	2,1	52500	2,59
16 B-1 (♦)		70125157	con coppiglia	25,40	1"	17,02	8,28	15,88	36,1	21,08	2,1	52500	2,59
20 B-1	70131007	70131057	70131087	31,75	1 1/4"	19,56	10,19	19,05	43,2	26,42	2,95	85500	3,68
24 B-1	70138007	70138057	70138087	38,1	1 1/2"	25,40	14,63	25,4	53,4	33,4	5,54	153900	6,85
28 B-1	70144007	70144057	70144087	44,45	1 3/4"	30,99	15,9	27,94	65,1	37,08	7,4	180000	8,56
32 B-1	70150007	70150057	70150087	50,8	2"	38,10	17,81	29,21	67,4	42,29	8,11	230000	9,49

## DOPPIA

ISO N.	CODICE	CODICE GIUNTO	CODICE FALSA	P		b <sub>1</sub> min. mm	d <sub>2</sub> mm	d <sub>1</sub> max mm	a <sup>2</sup> max mm	g max mm	e mm	f cm <sup>2</sup>	caric. rott. N. mm <sup>2</sup>	kg/m =
				mm	inch									
06 B-2	70209007	70209057	70209087	9,525	3/8"	5,72	3,28	6,35	23,8	8,26	10,24	0,55	15500	0,76
08 B-2	70212007	70212057	70212087	12,7	1/2"	7,75	4,45	8,51	31	11,81	13,92	1	28500	1,31
10 B-2	70215007	70215057	70215087	15,875	5/8"	9,65	5,08	10,16	36,2	14,73	16,59	1,34	41000	1,79
12 B-2	70219007	70219057	70219087	19,05	3/4"	11,68	5,72	12,07	42,2	16,13	19,46	1,78	53000	2,22
16 B-2	70225007	70225057	70225087	25,40	1"	17,02	8,28	15,88	68	21,08	31,88	4,21	99500	5,03
16 B-2 (♦)		70225157	con coppiglia	25,40	1"	17,02	8,28	15,88	68	21,08	31,88	4,21	99500	5,03
20 B-2	70231007	70231057	70231087	31,75	1 1/4"	19,56	10,19	19,05	79,7	26,42	35,45	5,91	162000	7,33
24 B-2	70238007	70238057	70238087	38,1	1 1/2"	25,40	14,63	25,4	101,8	33,4	48,36	11,09	293000	13,5
28 B-2	70244007	70244057	70244087	44,45	1 3/4"	30,99	15,9	27,94	124,7	37,08	59,56	14,81	344000	16,96
32 B-2	70250007	70250057	70250087	50,8	2"	30,99	17,81	29,21	126	42,29	58,55	16,23	440000	18,74

## TRIPLA

ISO N.	CODICE	CODICE GIUNTO	CODICE FALSA	P		b <sub>1</sub> min. mm	d <sub>2</sub> mm	d <sub>1</sub> max mm	a <sup>2</sup> max mm	g max mm	e mm	f cm <sup>2</sup>	caric. rott. N. mm <sup>2</sup>	kg/m =
				mm	inch									
06 B-3	70309007	70309057	70309087	9,525	3/8"	5,72	3,28	6,35	34	8,26	10,24	0,83	22800	1,12
08 B-3	70312007	70312057	70312087	12,7	1/2"	7,75	4,45	8,51	44,9	11,81	13,92	1,5	41000	1,94
10 B-3	70315007	70315057	70315087	15,875	5/8"	9,65	5,08	10,16	52,8	14,73	16,59	2,02	61500	2,68
12 B-3	70319007	70319057	70319087	19,05	3/4"	11,68	5,72	12,07	61,7	16,13	19,46	2,68	80000	3,32
16 B-3	70325007	70325057	70325087	25,40	1"	17,02	8,28	15,88	99,9	21,08	31,88	6,32	149000	7,65
16 B-3 (♦)		70325157	con coppiglia	25,40	1"	17,02	8,28	15,88	99,9	21,08	31,88	6,32	149000	7,65
20 B-3	70331007	70331057	70331087	31,75	1 1/4"	19,56	10,19	19,05	116,1	26,42	35,45	8,86	244000	10,96
24 B-3	70338007	70338057	70338087	38,1	1 1/2"	25,40	14,63	25,4	150,2	33,4	48,36	16,64	438000	20,2
28 B-3	70344007	70344057	70344087	44,45	1 3/4"	30,99	15,9	27,94	184,3	37,08	59,56	22,21	516000	25,38
32 B-3	70350007	70350057	70350087	50,8	2"	30,99	17,81	29,21	184,5	42,29	58,55	24,34	671000	28,04

N.B. Tutte le catene QRC® sono sottoposte a pre-tensionamento di 2/3 rispetto al carico di rottura minimo per stabilizzarne dimensioni e allungamento.

Disegni CAD disponibili sul sito  
[www.chiaravalli.com](http://www.chiaravalli.com)

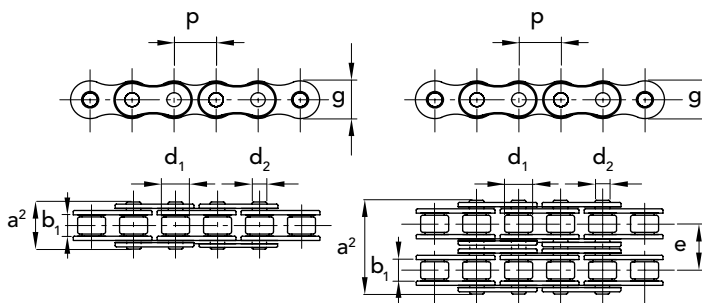
Quantità, disponibilità e prezzi  
con B2B Chiaravalli





CATENE PRODOTTE DA  
AZIENDA CERTIFICATA  
**ISO 9001**

Confezioni da 5m



f = superficie resistente

#### SEMPLICE ACCIAIO INOX AISI 304

ISO N.	CODICE CATENA	CODICE GIUNTO	CODICE FALSA	P	b <sub>1</sub>	d <sub>2</sub>	d <sub>1</sub>	a <sup>2</sup>	g	e	f	caric. rott.	kg/m	
				mm	inch	min. mm	mm	max mm	max mm	mm	cm <sup>2</sup>	N. mm <sup>2</sup>	=	
05 B-1	74108007	74108057	74108087	8,00	-	3	2,31	5	8,6	7,11	0,11	0,18	3400	0,18
06 B-1	74109007	74109057	74109087	9,53	3/8"	5,72	3,28	6,35	13,5	8,26	0,28	0,41	4400	0,40
08 B-1	74112007	74112057	74112087	12,70	1/2"	7,75	4,45	8,51	17	11,81	0,5	0,7	9800	0,68
10 B-1	74115007	74115057	74115087	15,88	5/8"	9,65	5,08	10,16	19,6	14,73	0,67	0,95	13600	0,91
12 B-1	74119007	74119057	74119087	19,05	3/4"	11,68	5,72	12,07	22,7	16,13	0,89	1,25	15000	1,12
16 B-1	74125007	74125057	74125087	25,40	1"	17,02	8,28	15,88	36,1	21,08	2,1	2,7	39500	2,59

#### DOPPIA ACCIAIO INOX AISI 304

ISO N.	CODICE CATENA	CODICE GIUNTO	CODICE FALSA	P	b <sub>1</sub>	d <sub>2</sub>	d <sub>1</sub>	a <sup>2</sup>	g	e	f	caric. rott.	kg/m	
				mm	inch	min. mm	mm	max mm	max mm	mm	cm <sup>2</sup>	N. mm <sup>2</sup>	=	
06 B-2	74209007	74209057	74209087	9,53	3/8"	5,72	3,28	6,35	23,8	8,26	10,24	0,55	8400	1,35
08 B-2	74212007	74212057	74212087	12,70	1/2"	7,75	4,45	8,51	31	11,81	13,92	1	16950	1,85
10 B-2	74215007	74215057	74215087	15,88	5/8"	9,65	5,08	10,16	36,2	14,73	16,59	1,34	27000	2,50
12 B-2	74219007	74219057	74219087	19,05	3/4"	11,68	5,72	12,07	42,2	16,13	19,46	1,78	29700	5,40
16 B-2	74225007	74225057	74225087	25,40	1"	17,02	8,28	15,88	68	21,08	31,88	4,21	69000	0,78

#### SEMPLICE NICHELATA

ISO N.	CODICE CATENA	CODICE GIUNTO	CODICE FALSA	P	b <sub>1</sub>	d <sub>2</sub>	d <sub>1</sub>	a <sup>2</sup>	g	f	caric. rott.	kg/m	
				mm	inch	min. mm	mm	max mm	max mm	cm <sup>2</sup>	N. mm <sup>2</sup>	=	
06 B-1	73109007	73109057	73109087	9,53	3/8"	5,72	3,28	6,35	13,5	8,26	0,28	8200	0,41
08 B-1	73112007	73112057	73112087	12,70	1/2"	7,75	4,45	8,51	17	11,81	0,5	16400	0,70
10 B-1	73115007	73115057	73115087	15,88	5/8"	9,65	5,08	10,16	19,6	14,73	0,67	20500	0,95
12 B-1	73119007	73119057	73119087	19,05	3/4"	11,68	5,72	12,07	22,7	16,13	0,89	26500	1,25
16 B-1	73125007	73125057	73125087	25,40	1"	17,02	8,28	15,88	36,1	21,08	2,1	52500	2,70

N.B. Tutte le catene QRC® sono sottoposte a pre-tensionamento di 2/3 rispetto al carico di rottura minimo per stabilizzarne dimensioni e allungamento.

Disegni CAD disponibili sul sito  
[www.chiaravalli.com](http://www.chiaravalli.com)

Quantità, disponibilità e prezzi  
con B2B Chiaravalli

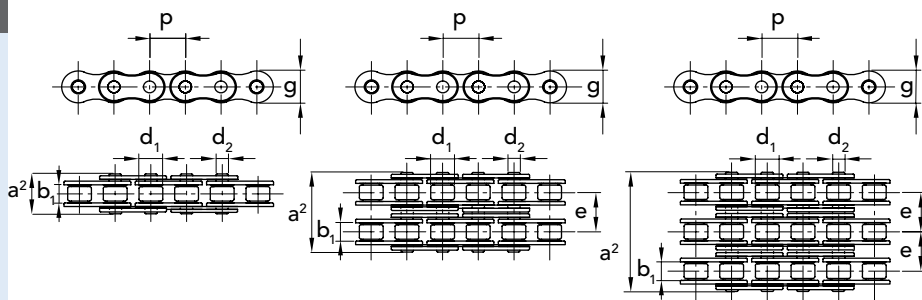




## CATENE PRODOTTE DA AZIENDA CERTIFICATA ISO 9001

N.B. Tutte le catene QRC® sono sottoposte a pre-tensionamento di 2/3 rispetto al carico di rottura minimo per stabilizzarne dimensioni e allungamento.

### Confezioni da 5m



f = superficie resistente

#### SEMPLICE "ANSI" ASA

ANSI N.	CODICE CATENA	CODICE GIUNTO	CODICE FALSA	P		b <sub>1</sub> min. mm	d <sub>2</sub> mm	d <sub>1</sub> max mm	a <sup>2</sup> max mm	g max mm	f cm <sup>2</sup>	caric. rott. N. mm <sup>2</sup>	kg/m =
				mm	inch								
35-1	71103007	71103057	71103087	9,525	3/8"	4,77	3,58	5,08	13,2	9,05	0,27	7350	0,34
40-1	71104007	71104057	71104087	12,7	1/2"	7,95	3,96	7,92	17,8	12,07	0,44	12900	0,63
50-1	71105007	71105057	71105087	15,875	5/8"	9,53	5,08	10,16	21,8	15,09	0,7	20200	1,04
60-1	71106007	71106057	71106087	19,05	3/4"	12,7	5,94	11,91	26,9	18,08	1,06	28900	1,52
80-1	71108007	71108057	71108087	25,40	1"	15,88	7,92	15,88	33,5	24,13	1,79	51300	2,58
100-1	71110007	71110057	71110087	31,75	1 1/4"	19,05	9,53	19,05	41,1	30,18	2,62	80200	3,85
120-1	71112007	71112057	71112087	38,1	1 1/2"	25,4	11,1	22,23	50,8	36,2	3,94	115000	5,61
140-1	71114007	71114057	71114087	44,45	1 3/4"	25,4	12,7	25,4	54,9	42,24	4,72	156300	7,24
160-1	71116007	71116057	71116087	50,8	2"	31,75	14,27	28,58	65,5	48,26	6,5	205500	9,91

#### DOPPIA "ANSI" ASA

ANSI N.	CODICE CATENA	CODICE GIUNTO	CODICE FALSA	P		b <sub>1</sub> min. mm	d <sub>2</sub> mm	d <sub>1</sub> max mm	a <sup>2</sup> max mm	g max mm	e mm	f cm <sup>2</sup>	caric. rott. N. mm <sup>2</sup>	kg/m =
				mm	inch									
35-2	71203007	71203057	71203087	9,525	3/8"	4,77	3,58	5,08	21,6	9,05	10,13	0,54	14700	0,67
40-2	71204007	71204057	71204087	12,7	1/2"	7,95	3,96	7,92	32,3	12,07	14,38	0,88	25600	1,26
50-2	71205007	71205057	71205087	15,875	5/8"	9,53	5,08	10,16	39,9	15,09	18,11	1,4	40400	2,05
60-2	71206007	71206057	71206087	19,05	3/4"	12,7	5,94	11,91	49,8	18,08	22,78	2,12	57800	3,01
80-2	71208007	71208057	71208087	25,40	1"	15,88	7,92	15,88	62,7	24,13	29,29	3,58	102700	2,13
100-2	71210007	71210057	71210087	31,75	1 1/4"	19,05	9,53	19,05	77	30,18	35,76	5,24	160400	7,64
120-2	71212007	71212057	71212087	38,1	1 1/2"	25,4	11,1	22,23	96,3	36,2	45,44	7,88	230000	11,13
140-2	71214007	71214057	71214087	44,45	1 3/4"	25,4	12,7	25,4	103,6	42,24	48,87	9,44	312600	14,37
160-2	71216007	71216057	71216087	50,8	2"	31,75	14,27	28,58	124,2	48,26	58,55	13	411000	19,68

#### TRIPLA "ANSI" ASA

ANSI N.	CODICE CATENA	CODICE GIUNTO	CODICE FALSA	P		b <sub>1</sub> min. mm	d <sub>2</sub> mm	d <sub>1</sub> max mm	a <sup>2</sup> max mm	g max mm	e mm	f cm <sup>2</sup>	caric. rott. N. mm <sup>2</sup>	kg/m =
				mm	inch									
35-3	71303007	71303057	71303087	9,525	3/8"	4,77	3,58	5,08	31,8	9,05	10,13	0,81	22050	0,99
40-3	71304007	71304057	71304087	12,7	1/2"	7,95	3,96	7,92	46,7	12,07	14,38	1,32	38300	1,98
50-3	71305007	71305057	71305087	15,875	5/8"	9,53	5,08	10,16	57,9	15,09	18,11	2,1	60600	3,06
60-3	71306007	71306057	71306087	19,05	3/4"	12,7	5,94	11,91	72,6	18,08	22,78	3,18	86700	4,50
80-3	71308007	71308057	71308087	25,40	1"	15,88	7,92	15,88	91,7	24,13	29,29	5,37	154100	7,67
100-3	71310007	71310057	71310087	31,75	1 1/4"	19,05	9,53	19,05	113	30,18	35,76	7,86	240600	11,43
120-3	71312007	71312057	71312087	38,1	1 1/2"	25,4	11,1	22,23	141,7	36,2	45,44	11,82	345000	16,67
140-3	71314007	71314057	71314087	44,45	1 3/4"	25,4	12,7	25,4	152,4	42,24	48,87	14,16	468900	21,51
160-3	71316007	71316057	71316087	50,8	2"	31,75	14,27	28,58	182,9	48,26	58,55	19,5	616400	29,45

#### SEMPLICE RINFORZATA

ANSI N.	CODICE CATENA	CODICE GIUNTO	CODICE FALSA	P		b <sub>1</sub> min. mm	d <sub>2</sub> mm	d <sub>1</sub> max mm	a <sup>2</sup> max mm	g max mm	f cm <sup>2</sup>	caric. rott. N. min.	kg/m =
				mm	inch								
60-H1	72906007	72906057	72906087	19,05	3/4"	12,7	5,94	11,91	28,9	18,08	1,06	49000	1,70
80-H1	72908007	72908057	72908087	25,40	1"	15,88	7,92	15,88	36,5	24,13	1,79	84800	2,90

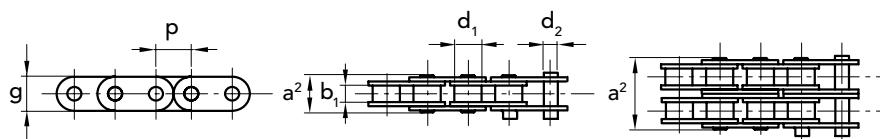
Disegni CAD disponibili sul sito  
[www.chiaravalli.com](http://www.chiaravalli.com)

Quantità, disponibilità e prezzi  
con B2B Chiaravalli



CATENE PRODOTTE DA  
AZIENDA CERTIFICATA  
**ISO 9001**

Confezioni da 5m



f = superficie resistente

#### SEMPLICE A PIASTRE DIRITTE

ISO N.	CODICE CATENA	CODICE GIUNTO	CODICE FALSA	P		b <sub>1</sub> min. mm	d <sub>2</sub> mm	d <sub>1</sub> max mm	a <sup>2</sup> max mm	g max mm	f cm <sup>2</sup>	caric. rott. N. mm <sup>2</sup>	kg/m =
				mm	inch								
08B1	74112607	74112657	74112687	12,70	1/2"	7,75	4,45	8,51	17,0	11,81	0,5	16400	0,80
10B1	74115607	74115657	74115687	15,875	5/8"	9,65	5,08	10,16	19,6	14,73	0,67	20600	1,00
12B1	74119607	74119657	74119687	19,05	3/4"	11,68	5,72	12,07	22,7	16,13	0,89	26600	1,30
16B1	74125607	74125657	74125687	25,40	1"	11,02	8,28	15,88	36,1	21,08	2,10	52700	2,90

#### DOPPIA A PIASTRE DIRITTE

ISO N.	CODICE CATENA	CODICE GIUNTO	CODICE FALSA	P		b <sub>1</sub> min. mm	d <sub>2</sub> mm	d <sub>1</sub> max mm	a <sup>2</sup> max mm	g max mm	f cm <sup>2</sup>	caric. rott. N. mm <sup>2</sup>	kg/m =
				mm	inch								
10B2	74215607	74215657	74215687	15,88	5/8"	9,65	5,08	10,16	36,2	14,73	1,34	41100	2,50
12B2	74219607	74219657	74219687	19,05	3/4"	11,68	5,72	12,07	42,2	16,13	1,78	53300	2,60

N.B. Tutte le catene QRC® sono sottoposte a pre-tensionamento di 2/3 rispetto al carico di rottura minimo per stabilizzarne dimensioni e allungamento.

Disegni CAD disponibili sul sito  
[www.chiaravalli.com](http://www.chiaravalli.com)

Quantità, disponibilità e prezzi  
con B2B Chiaravalli

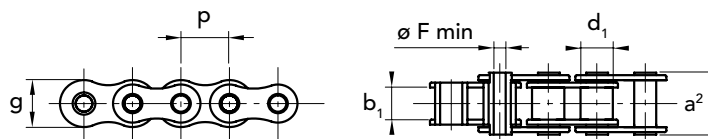






CATENE PRODOTTE DA  
AZIENDA CERTIFICATA  
ISO 9001

Confezioni da 5m



f = superficie resistente

## A PERNI FORATI

RIFERIM. N.	CODICE CATENA	CODICE GIUNTO	CODICE FALSA	P		b <sub>1</sub> min. mm	d <sub>1</sub> mm	a <sup>2</sup> max mm	Ø F max mm	g max mm	f cm <sup>2</sup>	caric. rott. N. mm <sup>2</sup>	kg/m =
				mm	inch								
08 BHP-1	74112707	74112757	74112787	12,7	1/2"	7,75	8,51	17,00	4,4	11,7	0,7	13.500	0,50
10 BHP-1	74115707	74115757	74115787	15,875	5/8"	9,65	10,16	21,00	5,1	14	1,0	20.000	0,80

N.B. Tutte le catene QRC® sono sottoposte a pre-tensionamento di 2/3 rispetto al carico di rottura minimo per stabilizzarne dimensioni e allungamento.

Disegni CAD disponibili sul sito  
[www.chiaravalli.com](http://www.chiaravalli.com)

Quantità, disponibilità e prezzi  
con B2B Chiaravalli





**GIUNTO**

**2 ATTACCHI**



**GIUNTO**

**1 ATTACCO**



**GIUNTO**

**PERNI FORATI**



**GIUNTO**

**PERNI PIENI**



**GIUNTO**

**PERNO SPORGENTE**



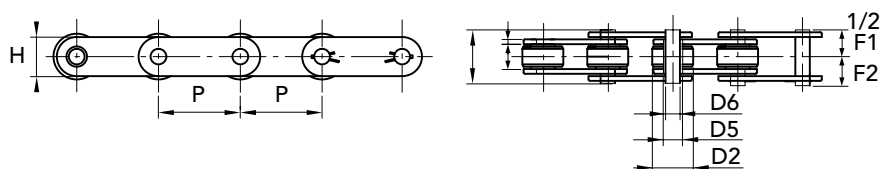


CATENE PRODOTTE DA  
AZIENDA CERTIFICATA  
ISO 9001

Confezioni da 5m

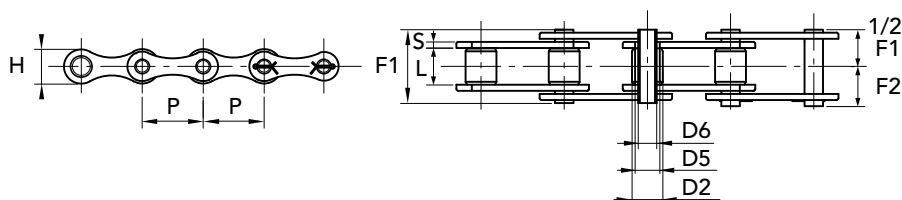
f = superficie resistente

## A PERNI PIENI



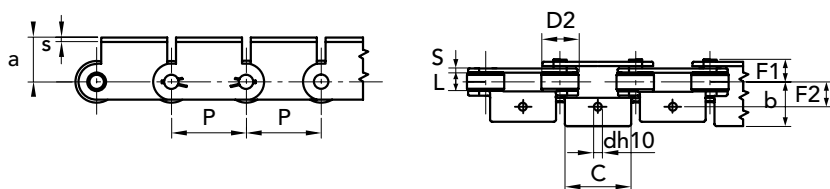
CATENA	CODICE CATENA	CODICE GIUNTO	P mm	L mm	D2 mm	D5 mm	D6 mm	H mm	S mm	F1 mm	F2 mm	caric. rott. N. mm <sup>2</sup>	kg/m catena
1,1205	74502050	74502055	50	11,5	25	8,35	5,7	18	2,5	25,5	15,4	18000	1,70
1,1206	74502060	74502065	50	11,5	25	11	8	20	3	28,8	16,5	22000	7,90
1,1400	74504000	74504005	50	15	31	13,2	10	23	3	32,6	19,2	32000	3,00
1,1500	74505000	74505005	50	15	31	13,2	10	25	4	36,6	20,7	40000	3,90
1,1505	74505020	74505025	100	15	31	13,2	10	25	4	36,6	20,7	40000	2,70
1,1703	74507030	74507035	100	22	40	17	12	35	4	44	25	75000	4,90

## A PERNI PIENI TIPO "B"



CATENA	CODICE CATENA	CODICE GIUNTO	P mm	L mm	D2 mm	D5 mm	D6 mm	H mm	S mm	F1 mm	F2 mm	caric. rott. N. mm <sup>2</sup>	kg/m catena
1,1400 B	74514000	74514005	50	15	31	13,2	10	23	3	32,6	19,2	32000	2,50

## A PERNI PIENI CON ATTACCHI



CATENA	CODICE CATENA	CODICE GIUNTO	P mm	D2 mm	a mm	b mm	c mm	d mm	e mm	s mm	L mm	F2 mm	caric. rott. N. mm <sup>2</sup>	kg/m attacco
1.1205 A1-01	74522050	74522055	50	25	24	22	46	6,5	36	2,5	11,5	12,75	18000	2,51

Disegni CAD disponibili sul sito  
[www.chiaravalli.com](http://www.chiaravalli.com)

Quantità, disponibilità e prezzi  
con B2B Chiaravalli

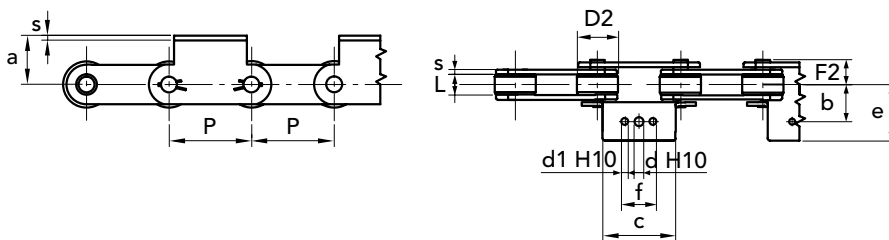


CATENE PRODOTTE DA  
AZIENDA CERTIFICATA  
ISO 9001

Confezioni da 5m

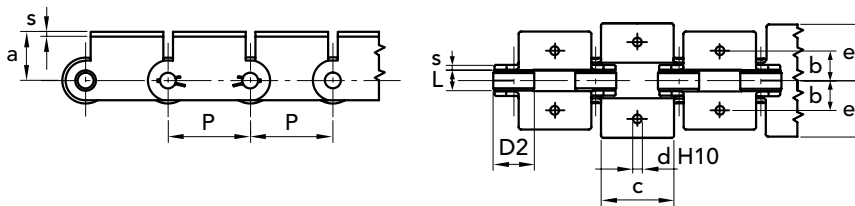
f = superficie resistente

#### A PERNI PIENI CON ATTACCHI



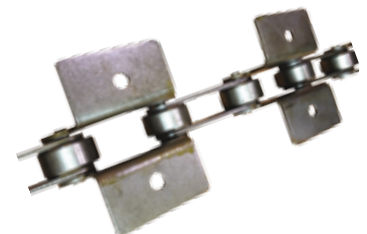
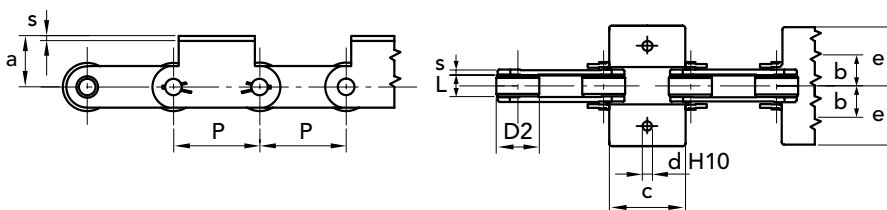
CATENA	CODICE CATENA	CODICE GIUNTO	P mm	D2 mm	a mm	b mm	c mm	d mm	e mm	s mm	d1 mm	f mm	L mm	F2 mm	caric. rott. N. mm <sup>2</sup>	kg/m
1.1205 A1-02	74532050	74522055	50	25	24	22	46	6,5	36	2,5	-	-	11,5	12,75	18000	2,50
1.1400 A3-02	74534000	74534005	50	31	35	31	60	10,5	48,5	3	8,5	25	15	16,3	32000	4,23
1.1500 A3-02	74535000	74535005	50	31	35	32	45	10,5	48	4	8,5	25	15	18,7	40000	4,63

#### A PERNI PIENI CON ATTACCHI



CATENA	CODICE CATENA	CODICE GIUNTO	P mm	D2 mm	a mm	b mm	c mm	d mm	e mm	s mm	L mm	caric. rott. N. mm <sup>2</sup>	kg/m
1.1205 K1-01	74542050	74542055	50	25	24	22	46	6,5	36	2,5	11,5	18000	3,19

#### A PERNI PIENI CON ATTACCHI



CATENA	CODICE CATENA	CODICE GIUNTO	P mm	D2 mm	a mm	b mm	c mm	d mm	e mm	s mm	L mm	caric. rott. mm <sup>2</sup>	kg/m
1.1205 K1-02	74552050	74542055	50	25	24	22	46	6,5	36	2,5	11,5	18000	2,50

Disegni CAD disponibili sul sito  
[www.chiaravalli.com](http://www.chiaravalli.com)

Quantità, disponibilità e prezzi  
con B2B Chiaravalli

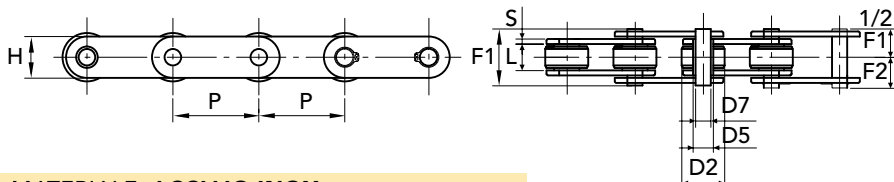


CATENE PRODOTTE DA  
AZIENDA CERTIFICATA  
ISO 9001

Confezioni da 5m

f = superficie resistente

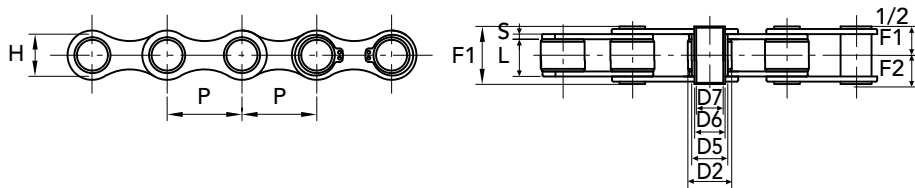
## A PERNI FORATI



MATERIALE: ACCIAIO INOX

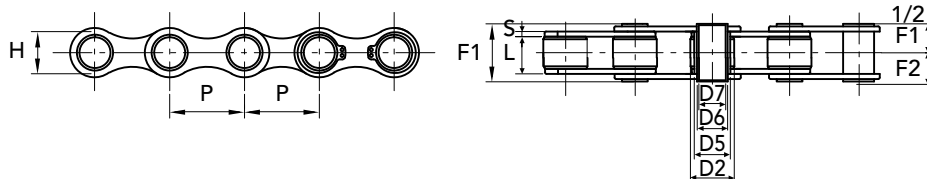
CATENA	CODICE CATENA	CODICE GIUNTO	P mm	L mm	D2 mm	D5 mm	D6 mm	D7 mm	H mm	S mm	F1 mm	F2 mm	caric. rott. N. mm <sup>2</sup>	kg/m catena
1,2250	74602500	74602505	50	11,5	25	11	9	6,2	20	2,5	26	14,5	30000	1,80
1,2250 SS	74695400	74695405	50	11,5	25	11	9	6,2	20	2,5	26	14,5	20000	1,80
1,2400	74604000	74604005	50	15	31	17	14	10,2	25	3	31	17,5	35000	3,00
1,2500	74605000	74605005	50	15	31	17	14	10,2	25	4	35	19,5	40000	3,60
1,2501	74605010	74605015	75	15	31	17	14	10,2	25	4	35	19,5	40000	3,10
1,2502	74605020	74605025	100	15	31	17	14	10,2	25	4	35	19,5	40000	2,60

## A PERNI FORATI



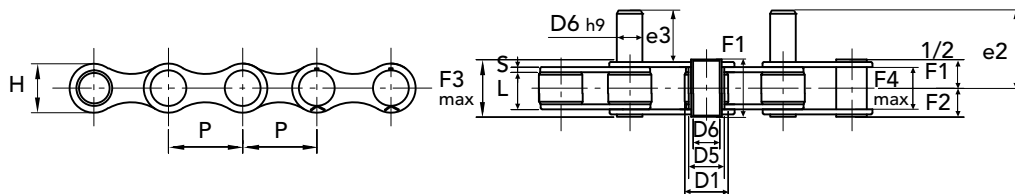
CATENA	CODICE CATENA	CODICE GIUNTO	P mm	L mm	D2 mm	D5 mm	D6 mm	D7 mm	H mm	S mm	F1 mm	F2 mm	caric. rott. N. mm <sup>2</sup>	kg/m catena
1.3520 R	74605200	74605205	35	16	20	17	14	10,2	26	2,5	30	16,7	25000	2,20
1,3520 Z	74615200	74615205	35	16	20	17	14	10,2	26	2,5	30	16,7	25000	2,20

## A PERNI FORATI ZINCATE



CATENA	CODICE CATENA	CODICE GIUNTO	P mm	L mm	D1 mm	D5 mm	D6 mm	D7 mm	H mm	S mm	F1 mm	F2 mm	caric. rott. N. mm <sup>2</sup>	kg/m catena
1.1260 Z	74612600	74612605	41,75	20,5	17	13,8	11	8,3	21,4	3	36	22,7	27	1,50

## A PERNI SPORGENTI ZINCATE



CATENA	CODICE CATENA	CODICE GIUNTO	P mm	D2 mm	a mm	b mm	c mm	d mm	e mm	s mm	L mm	F2 mm	caric. rott. N. mm <sup>2</sup>	kg/m attacco			
1.3521 Z	74615210	74615215	35	16	20	13	10	48,5	26	2,5	31	19	35	21	21,5	35000	2,80

Disegni CAD disponibili sul sito  
[www.chiaravalli.com](http://www.chiaravalli.com)

Quantità, disponibilità e prezzi  
con B2B Chiaravalli





### Lunghezza standard m 2 - a richiesta m 3 - 4

Materiale: PE-UHMW

Polietilene ad alto peso molecolare (p.m. oltre 1.000.000).

Colore: verde

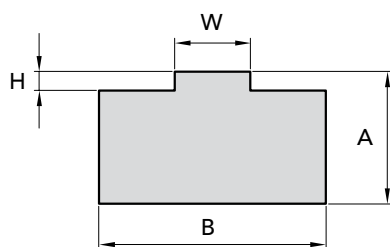
Peso specifico g/cm<sup>3</sup> 0,945

Coefficiente attrito dinamico 0.2 (P = 0.05 N/mm<sup>2</sup> - V = 0.6 m/s - T = 40°C)

Temperatura d'impiego: -200°C ÷ 60°C. Per brevi periodi per contatto 80°C.

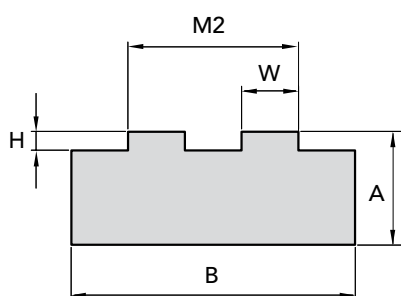
Dilatazione termica lineare: mm 2 ogni 10°C a partire dalla temperatura ambiente di 20°C.

#### PROFILO "T"

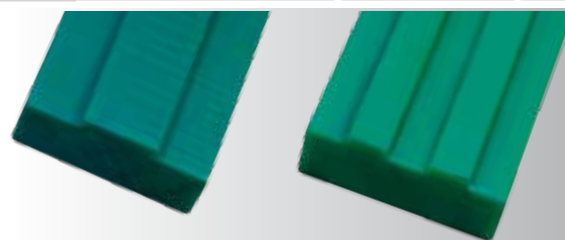


Profilo "T" per catena SEMPLICE	AxB	CODICE CATENA	CATENA	ISO	Dimensione Guide		Peso Kg/ m
					H	W	
GCT-06	10 x 15	76109010	3/8"x7/32"	06 B-1	1,5	5,4	0,13
GCT-08	10 x 20	76112010	1/2"x5/16"	08 B-1	2,2	7,4	0,18
	15 x 20	76112015					0,26
	20 x 20	76112020					0,34
GCT-10	15 x 20	76115015	5/8"x3/8"	10 B-1	2,6	9,2	0,25
	20 x 20	76115020					0,35
GCT-12	15 x 25	76119015	3/4"x7/16"	12 B-1	2,4	11,3	0,32
	20 x 25	76119020					0,43
GCT-16	15 x 40	76125015	1"x17,02 mm	16 B-1	3,5	16,5	0,45
	20 x 40	76125020					0,68

#### PROFILO "T2"



Profilo "T2" per catena DOPPIA	AxB	CODICE CATENA	CATENA	ISO	Dimensione Guide			Peso Kg/ m
					H	M2	W	
GC-T2-06	10 x 25	76209010	3/8"x7/32"	06 B-2	1,5	15,74	5,4	0,22
GC-T2-08	10 x 35	76212010	1/2"x5/16"	08 B-2	2,2	21,42	7,4	0,30
	15 x 35	76212015						0,46
	20 x 35	76212020						0,63
GC-T2-10	10 x 40	76215010	5/8"x3/8"	10 B-2	2,6	25,79	9,2	0,32
	15 x 40	76215015						0,54
	20 x 40	76215020						0,77
GC-T2-12	15 x 45	76219015	3/4"x7/16"	12 B-2	2,4	30,76	11,3	0,62
	20 x 45	76219020						0,85
GC-T2-16	15 x 65	76225015	1"x17 02 mm	16 B-2	3,5	48,38	16,5	0,86
	20 x 65	76225020						1,19



Disegni CAD disponibili sul sito  
[www.chiaravalli.com](http://www.chiaravalli.com)

Quantità, disponibilità e prezzi  
con B2B Chiaravalli



## Lunghezza standard m 2 - a richiesta m 3 - 4

Materiale: PE-UHMW

Polietilene ad alto peso molecolare (p.m. oltre 1.000.000).

Colore: verde

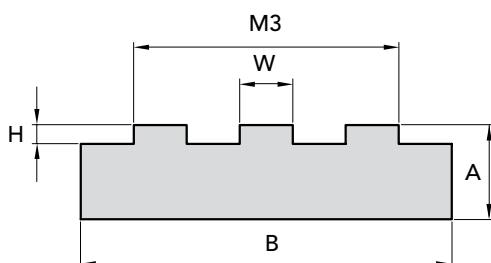
Peso specifico g/cm<sup>3</sup> 0,945

Coefficiente attrito dinamico 0.2 (P = 0.05 N/mm<sup>2</sup> - V = 0.6 m/s - T = 40°C)

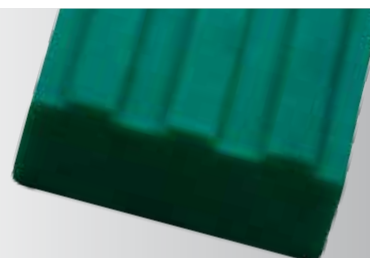
Temperatura d'impiego: -200°C ÷ 60°C. Per brevi periodi per contatto 80°C.

Dilatazione termica lineare: mm 2 ogni 10°C a partire dalla temperatura ambiente di 20°C.

### PROFILO "T3"



Profilo "T3" per catena TRIPLA	Ax B	CODICE CATENA	CATENA	ISO	Dimensione Guide			Peso Kg/ m
					H	M3	W	
GC-T3-06	10 x 35	76309010	3/8"x7/32"	06 B-3	1,5	25,88	5,4	0,77
GC-T3-08	10 x 45	76312010	1/2"x5/16"	08 B-3	2,2	35,24	7,4	0,82
	15 x 45	76312015						1,05
	20 x 45	76312020						1,27
GC-T3-10	10 x 55	76315010	5/8"x3/8"	10 B-3	2,6	42,38	9,2	0,85
	15 x 55	76315015						1,13
	20 x 55	76315020						1,40
GC-T3-12	15 x 60	76319015	3/4"x7/16"	12 B-3	2,4	50,22	11,3	0,86
	20 x 60	76319020						1,16




**Lunghezza standard m 2 - a richiesta m 3 - 4**

Materiale: PE-UHMW

Polietilene ad alto peso molecolare (p.m. oltre 1.000.000).

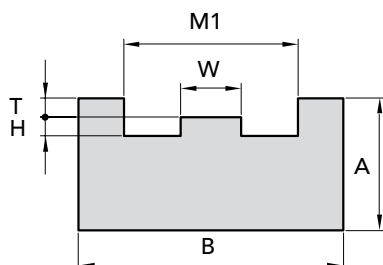
Colore: verde

Peso specifico g/cm<sup>3</sup> 0,945

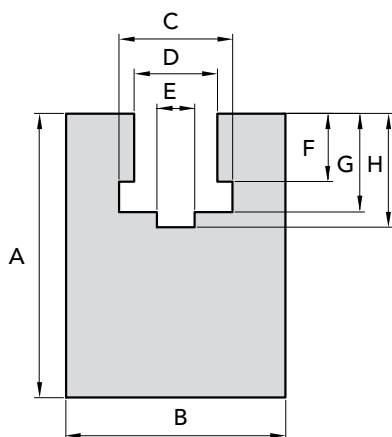
Coefficiente attrito dinamico 0.2 (P = 0.05 N/mm<sup>2</sup> - V = 0.6 m/s - T = 40°C)

Temperatura d'impiego: -200°C ÷ 60°C. Per brevi periodi per contatto 80°C.

Dilatazione termica lineare: mm 2 ogni 10°C a partire dalla temperatura ambiente di 20°C.

**PROFILO "E"**


Profilo "E" per catena SEMPLICE	Ax B	CODICE CATENA	CATENA	ISO	Dimensione Guide				Peso Kg/m
					H	M1	W	T	
GC-E-06	10 x 25	76409010	3/8"x7/32"	06 B-1	1,5	15	5,4	4,35	0,19
GC-E-08	15 x 30	76412015	1/2"x5/16"	08 B-1	2,2	20	7,4	7,2	0,36
GC-E-10	20 x 33	76415015	5/8"x3/8"	10 B-1	2,6	23	9,2	9,5	0,40
GC-E-12	20 x 38	76419020	3/4"x7/16"	12 B-1	2,4	28	11,3	11,11	0,57
GC-E-16	25 x 51	76425025	1"x17,02mm	16 B-1	3,5	41	16,5	16,48	0,83

**PROFILO "K"**


Profilo "K" per catena SEMPLICE	Ax B	CODICE CATENA	CATENA	ISO	Dimensione Guide						Peso Kg/ m
					H	D	E	F	G	C	
GC-K-06	25 x 20	76509025	3/8"x7/32"	06 B-1	10	6,8	4	5,6	8,7	9,3	0,43
GC-K-08	30 x 24	76512030	1/2"x5/16"	08 B-1	12,7	9	5	7,4	11,5	12,8	0,55
GC-K-10	35 x 30	76515035	5/8"x3/8"	10 B-1	14,8	10,7	6	9,3	13,5	15,4	0,83
GC-K-12	35 x 40	76519035	3/4"x7/16"	12 B-1	17,5	12,7	7	11,3	15,9	16,9	1,10
GC-K-16	45 x 40	76525045	1"x17,02	16 B-1	26,8	16,5	9	16,6	25,7	24,4	1,22



Disegni CAD disponibili sul sito  
[www.chiaravalli.com](http://www.chiaravalli.com)

Quantità, disponibilità e prezzi  
 con B2B Chiaravalli



**Lunghezza standard m 2 - a richiesta m 3 - 4**

Materiale: PE-UHMW

Polietilene ad alto peso molecolare (p.m. oltre 1.000.000).

Colore: verde

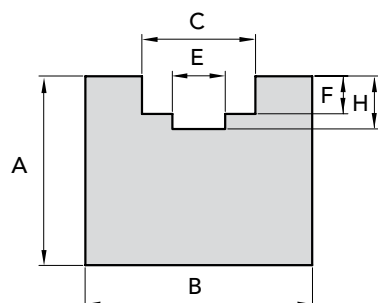
Peso specifico g/cm<sup>3</sup> 0,945

Coefficiente attrito dinamico 0.2 (P = 0.05 N/mm<sup>2</sup> - V = 0.6 m/s - T = 40°C)

Temperatura d'impiego: -200°C ÷ 60°C. Per brevi periodi per contatto 80°C.

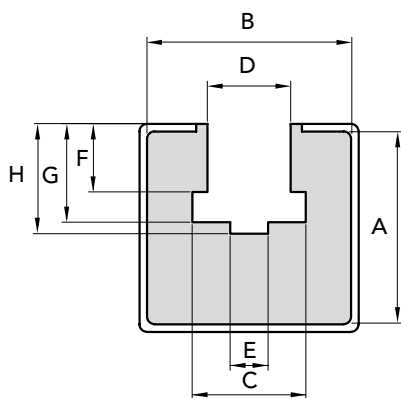
Dilatazione termica lineare: mm 2 ogni 10°C a partire dalla temperatura ambiente di 20°C.

## PROFILO "U"



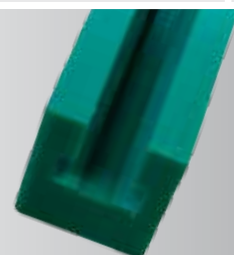
Profilo "U" per catena SEMPLICE	Ax B	CODICE CATENA	CATENA	ISO	Dimensione Guide				Peso Kg/m
					H	M1	W	T	
GC-U-06	15 x 20	76609015	3/8"x7/32"	06 B-1	4,2	4	2,8	9,2	0,26
GC-U-08	15 x 25	76612015	1/2"x5/16"	08 B-1	4,8	5	3,5	12,7	0,31
GC-U-10	15 x 25	76615015	5/8"x3/8"	10 B-1	5,1	6	3,6	15,2	0,30
GC-U-12	20 x 25	76619020	3/4"x7/16"	12 B-1	5,7	7	3,9	16,7	0,40

## PROFILO "KG"



Profilo "KG" per catena SEMPLICE	Ax B	CODICE CATENA	CATENA	ISO	Supp. met.	Dimensione Guide						Peso Kg/m
						H	D	E	F	G	C	
GC-KG-08	22,5 x 27	76712022	1/2"x5/16"	08 B-1	C10	13	8,7	5	7,4	11,5	12,8	1,30
GC-KG-10	22,5 x 27	76715022	5/8"x3/8"	10 B-1	C10	14,9	10,7	6	9,3	13,5	15,4	1,29
GC-KG-12	22,5 x 27	76719022	3/4"x7/16"	12 B-1	C10	17,5	12,3	7	11,3	15,9	16,9	1,28

Guida catena predisposta per supporto metallico




**Lunghezza standard m 2 - a richiesta m 3 - 4**

Materiale: PE-UHMW

Polietilene ad alto peso molecolare (p.m. oltre 1.000.000).

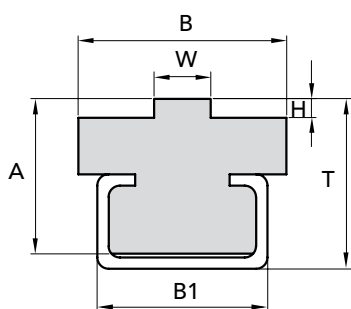
Colore: verde

Peso specifico g/cm<sup>3</sup> 0,945

Coefficiente attrito dinamico 0.2 (P = 0.05 N/mm<sup>2</sup> - V = 0.6 m/s - T = 40°C)

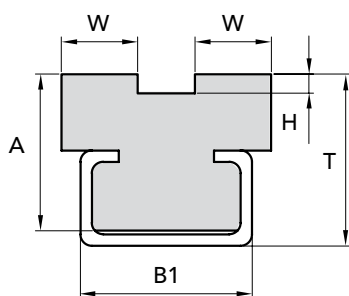
Temperatura d'impiego: -200°C ÷ 60°C. Per brevi periodi per contatto 80°C.

Dilatazione termica lineare: mm 2 ogni 10°C a partire dalla temperatura ambiente di 20°C.

**PROFILO "CT"**


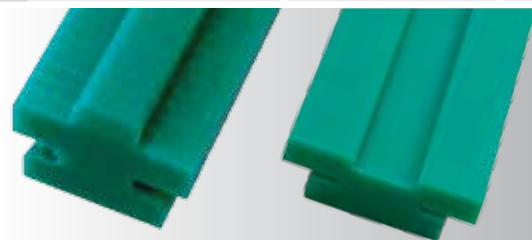
Guida catena predisposta per supporto metallico

Profilo "CT" per catena SEMPLICE	AxB	CODICE CATENA	CATENA	Supp. ISO met.	Dimensione Guide H T W B2	Peso Kg/ m
GC-CT-08	15 x 20	76812015	1/2"x5/16"	08 B-1 C3	2,2 17 7,4 20	0,82
GC-CT-10	15 x 20	76815015	5/8"x3/8"	10 B-1 C3	2,6 17 9,2 20	0,83
GC-CT-12	15 x 20	76819015	3/4"x7/16"	12 B-1 C3	2,4 17 11,3 20	0,84
GC-CT-16	15 x 28	76825015	1"x17,02	16 B-1 C5	3,5 18 16,5 28	1,24

**PROFILO "CT2"**


Guida catena predisposta per supporto metallico

Profilo "CT2" per catena SEMPLICE	AxB	CODICE CATENA	CATENA	Supp. ISO met.	Dimensione Guide H T W B2	Peso Kg/m
GC-CT2-06	15 x 15,7	76909015	3/8"x7/32"	06 B-2 C3	1,5 17 5,4 20	0,74
GC-CT2-08	15 x 21,4	76912015	1/2"x5/16"	08 B-2 C3	2,2 17 7,4 20	0,84
GC-CT2-10	15 x 25,9	76915015	5/8"x3/8"	10 B-2 C5	2,6 19 9,2 28	0,85
GC-CT2-12	15 x 30,7	76919015	3/4"x7/16"	12 B-2 C5	2,4 19 11,3 28	1,25
GC-CT2-16	20 x 48,3	76925020	1"x17,02	16 B-2 C9	3,5 27 16,5 38	2,15



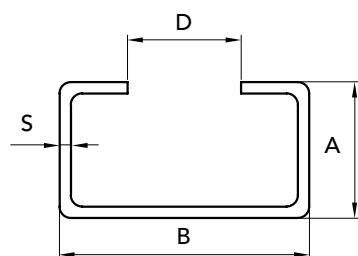




Materiale: FE ZINCATO O INOX AISI 304

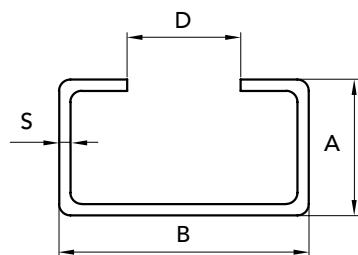
A richiesta si eseguono profili su disegno del cliente.

## LAMIERA ZINCATA

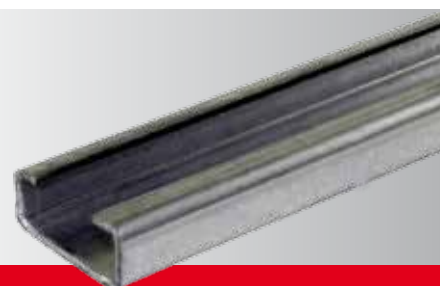


SUPPORTI METALLICI	CODICE CATENA	lunghezza standard m.	Dimensione Guide				Peso Kg/m
			A	B	D	S	
AxB							
C3 10 x 20	76003010	2	10	20	10	1,3	0,48
C5 12 x 28	76005012	2	12	28	14	1,5	0,85
C9 18 x 38	76009018	2	18	38	22	1,5	1,50
C10 24 x 30	76010024	2	24	30	20	1,5	0,95

## LAMIERA IN ACCIAIO INOX AISI 304



SUPPORTI METALLICI	CODICE CATENA	lunghezza standard m.	Dimensione Guide				Peso Kg/m
			A	B	D	S	
AxB							
C3 10 x 20	76003310	2	10	20	10	1,3	0,48
C5 12 x 28	76005312	2	12	28	14	1,5	0,85
C9 18 x 38	76009318	2	18	38	22	1,5	1,50
C10 24 x 30	76010324	2	24	30	20	1,5	0,95



Disegni CAD disponibili sul sito [www.chiaravalli.com](http://www.chiaravalli.com)

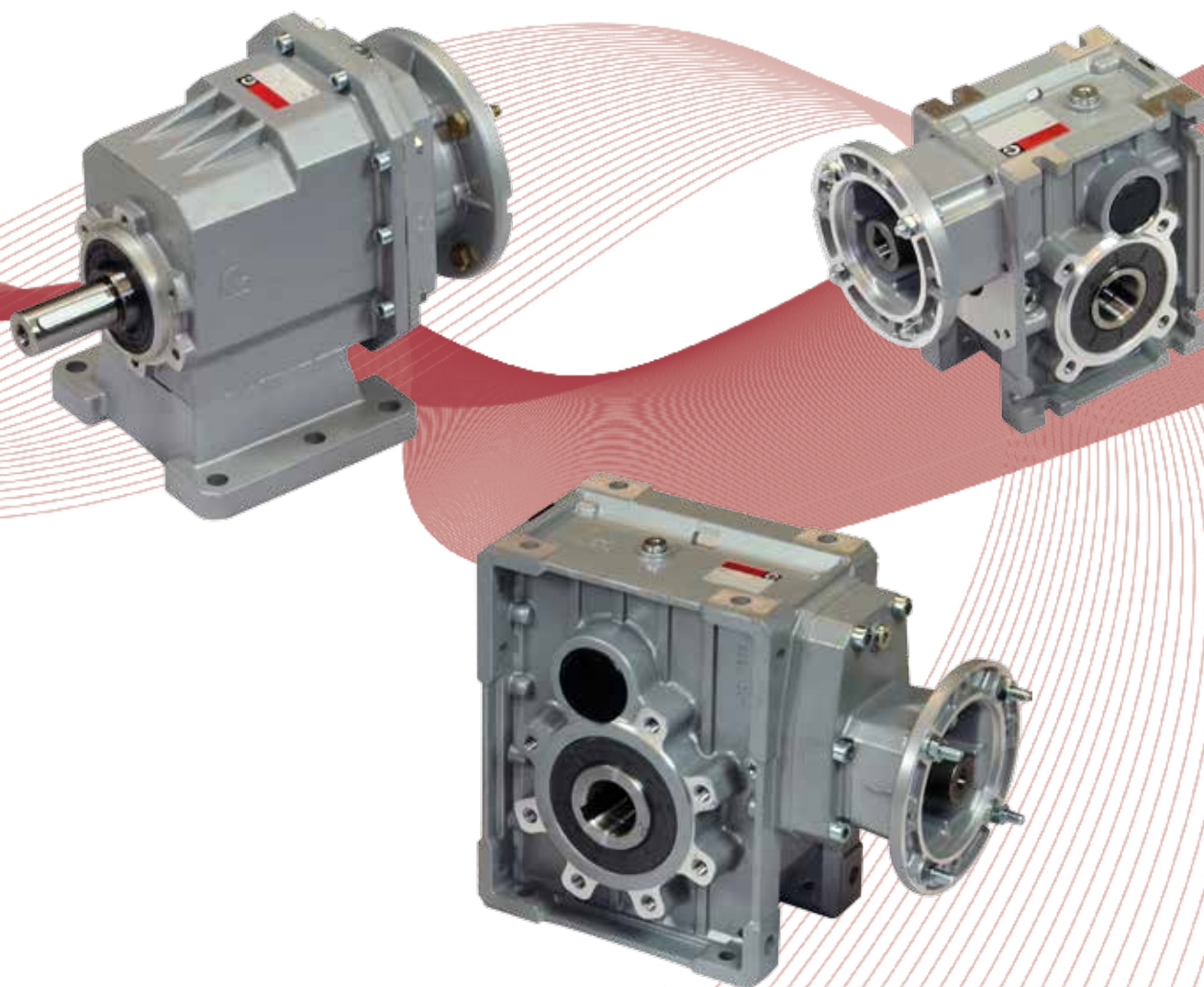
Quantità, disponibilità e prezzi con B2B Chiaravalli



# MOTORI ELETTRICI E RIDUTTORI

*Una vasta gamma di motori e riduttori sviluppati dalla Chiaravalli Group SpA e gestita dalla nostra logistica di Cantalupa.*

*Siamo in grado di fornire e spedire qualsiasi componente a catalogo, in oltre 52 paesi, con un minimo lead-time dal ricevimento ordine.*





# INGRANAGGI CILINDRICI e CREMAGLIERE

INGRANAGGI CILINDRICI  
**CON MOZZO LATERALE**

pag. 4

INGRANAGGI CILINDRICI  
**SENZA MOZZO LATERALE**

7

**CREMAGLIERE**

10





# INGRANAGGI CILINDRICI E CREMAGLIERE

INGRANAGGI CILINDRICI E CREMAGLIERE

INGRANAGGI CILINDRICI  
SENZA MOZZO



INGRANAGGI CILINDRICI  
CON MOZZO



CREMAGLIERE



# INGRANAGGI CILINDRICI A DENTI DIRITTI E CREMAGLIERE

Gli ingranaggi cilindrici e le cremagliere sono gli elementi classici per la trasmissione meccanica dei movimenti di rotazione e di traslazione tra gli organi di moto delle macchine. Ciò spiega la loro estrema diffusione ed il largo impiego nei più svariati settori della meccanica generale tanto che in pratica non esiste catena cinematica di tipo rigido destinata al trasferimento di potenza che non si avvalga di questi elementi di base.

Le esigenze dell'industria sono tuttavia estremamente articolate, per quanto concerne le prestazioni richieste all'ingranaggio ed alla cremagliera rispecchiano in termini di precisione o di resistenza le condizioni operative tipiche dell'impiego finale a cui sono destinate.

Per questa ragione sarebbe impensabile proporre un prodotto destinato a soddisfare qualunque necessità espressa dalla pratica industriale.

Consapevole di ciò, la ditta CHIARAVALLI GROUP SpA ha fatto una scelta di base decidendo di offrire all'industria un vasto assortimento di ingranaggi e cremagliere per impiego generico, combinati in una seria normalizzata e caratterizzati da un ottimo livello qualitativo.

Gli ingranaggi e le cremagliere prodotti in acciaio al carbonio normalizzato, sono realizzati con dimensionamento modulare secondo un profilo di riferimento a Norma

## **DIN 3962/63/67**

Ciò assicura un raccordo completo alla base del dente con evidente incremento della resistenza a flessione.

L'uso sistematico di dentatrici a Controllo Numerico dell'ultima generazione, di creatori speciali per altissime velocità di taglio e di tecnologie di lavorazione espressamente sviluppate, consente di assicurare una precisione generale secondo le Norme **DIN 3962**

ed un grande grado di finitura superficiale difficilmente realizzabile con operazioni di dentatura a creatore.

La tolleranza di lavorazione sullo spessore dente, è stata scelta conforme alla **Classe di Accoppiamento "cd 25"** della Norma **DIN 3967**

che definisce la posizione e l'ampiezza del campo di tolleranza e con ciò il gioco di accoppiamento tra gli ingranaggi. Per condizioni di normale impiego, viene suggerita secondo la Norma **DIN 3964**,

una tolleranza di **lavorazione degli interassi pari a "js 8"** che se rispettata ci consente di assicurare in esercizio un gioco di accoppiamento ingranaggio minimo di ampiezza adeguata limitando nel contempo il valore del gioco massimo. Considerazioni analoghe valgono per l'accoppiamento ingranaggio-cremagliera dato che quest'ultima viene prodotta con la stessa classe di accoppiamento.

Il nostro Ufficio Tecnico è a disposizione degli interessati per suggerire le tolleranze di montaggio, anche per far fronte ad esigenze specifiche possiamo produrre ingranaggi con giochi di accoppiamento maggiorati o ridotti rispetto alla norma.

A richiesta dei committenti, siamo in grado di produrre i nostri ingranaggi cilindrici a catalogo con bombatura longitudinale dei denti, particolarmente utile nel caso l'utilizzatore non sia in grado di garantire un perfetto parallelismo tra gli assi.

IL PARCO MACCHINE DI CUI DISPONIAMO, COSTITUITO NELLA QUASI TOTALITA' DA MACCHINE RECENTISSIME E DI CONCEZIONE AVANZATA, CI PERMETTE DI REALIZZARE INGRANAGGI A DISEGNO IN TERMINI QUALITATIVI ED ECONOMICI DI SICURO INTERESSE.

Il nostro Ufficio Tecnico è a disposizione per l'esame preliminare dei problemi di lavorazione della Clientela e per la compilazione dei preventivi di spesa.



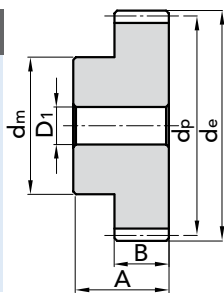




# INGRANAGGI CILINDRICI A DENTI DIRITTI

## CON MOZZO LATERALE

Angolo di pressione: 20°



LARGHEZZA FASCIA B per:

LARGHEZZA TOTALE A per:

Modulo **2.5** = 25 mm

Modulo **2.5** = 40 mm

Modulo **3** = 30 mm

Modulo **3** = 50 mm

Modulo **4** = 40 mm

Modulo **4** = 60 mm

### MODULO 2,5

Z	CODICE	d <sub>e</sub>	d <sub>p</sub>	d <sub>m</sub>	ØD <sub>1</sub>	Kg
12	30125012	35,0	30,0	22	10	0,17
13	30125013	37,5	32,5	25	10	0,21
14	30125014	40,0	35,0	28	10	0,25
15	30125015	42,5	37,5	30	10	0,30
16	30125016	45,0	40,0	32	12	0,33
17	30125017	47,5	42,5	35	12	0,38
18	30125018	50,0	45,0	35	12	0,42
19	30125019	52,5	47,5	35	12	0,45
20	30125020	55,0	50,0	40	14	0,54
21	30125021	57,5	52,5	40	14	0,56
22	30125022	60,0	55,0	45	14	0,66
23	30125023	62,5	57,5	45	14	0,70
24	30125024	65,0	60,0	45	14	0,74
25	30125025	67,5	62,5	50	14	0,85
26	30125026	70,0	65,0	50	14	0,90
27	30125027	72,5	67,5	50	14	0,95
28	30125028	75,0	70,0	50	14	1,00
29	30125029	77,5	72,5	50	14	1,06
30	30125030	80,0	75,0	55	16	1,18
31	30125031	82,5	77,5	55	16	1,22
32	30125032	85,0	80,0	55	16	1,28
33	30125033	87,5	82,5	55	16	1,34
34	30125034	90,0	85,0	55	16	1,41
35	30125035	92,5	87,5	60	16	1,54
36	30125036	95,0	90,0	60	16	1,61
37	30125037	97,5	92,5	60	16	1,68
38	30125038	100,0	95,0	60	16	1,75
39	30125039	102,5	97,5	60	16	1,83
40	30125040	105,0	100,0	70	20	2,06
41	30125041	107,5	102,5	70	20	2,14
42	30125042	110,0	105,0	70	20	2,22
43	30125043	112,5	107,5	70	20	2,30
44	30125044	115,0	110,0	70	20	2,38
45	30125045	117,5	112,5	70	20	2,47
46	30125046	120,0	115,0	70	20	2,52
47	30125047	122,5	117,5	80	20	2,80
48	30125048	125,0	120,0	80	20	2,88
49	30125049	127,5	122,5	80	20	2,98
50	30125050	130,0	125,0	80	20	3,07
51	30125051	132,5	127,5	90	20	3,17
52	30125052	135,0	130,0	90	20	3,48
53	30125053	137,5	132,5	90	20	3,58
54	30125054	140,0	135,0	90	20	3,68
55	30125055	142,5	137,5	90	20	3,78
56	30125056	145,0	140,0	100	20	4,13
57	30125057	147,5	142,5	100	20	4,23
58	30125058	150,0	145,0	100	20	4,34
59	30125059	152,5	147,5	100	20	4,46
60	30125060	155,0	150,0	100	20	4,57

### MODULO 3

CODICE	d <sub>e</sub>	d <sub>p</sub>	d <sub>m</sub>	ØD <sub>1</sub>	Kg
30130012	42	36	25	12	0,28
30130013	45	39	25	12	0,34
30130014	48	42	30	12	0,41
30130015	51	45	35	12	0,47
30130016	54	48	38	15	0,54
30130017	57	51	42	15	0,63
30130018	60	54	45	15	0,72
30130019	63	57	45	15	0,78
30130020	66	60	45	15	0,84
30130021	69	63	45	15	0,89
30130022	72	66	50	15	1,02
30130023	75	69	50	15	1,10
30130024	78	72	50	16	1,18
30130025	81	75	60	16	1,39
30130026	84	78	60	16	1,48
30130027	87	81	60	16	1,56
30130028	90	84	60	16	1,66
30130029	93	87	60	16	1,75
30130030	96	90	60	16	1,85
30130031	99	93	70	20	1,95
30130032	102	96	70	20	2,21
30130033	105	99	70	20	2,32
30130034	108	102	70	20	2,43
30130035	111	105	70	20	2,55
30130036	114	108	70	20	2,62
30130037	117	111	80	20	2,74
30130038	120	114	80	20	3,05
30130039	123	117	80	20	3,18
30130040	126	120	80	20	3,31
30130041	129	123	90	20	3,44
30130042	132	126	90	20	3,58
30130043	135	129	90	20	3,72
30130044	138	132	90	20	4,07
30130045	141	135	90	20	4,22
30130046	144	138	90	20	4,37
30130047	147	141	90	20	4,76
30130048	150	144	100	20	4,92

### MODULO 4

CODICE	d <sub>e</sub>	d <sub>p</sub>	d <sub>m</sub>	ØD <sub>1</sub>	Kg
30140012	56	48	35	14	0,63
30140013	60	52	40	14	0,78
30140014	64	56	45	14	0,93
30140015	68	60	45	14	1,05
30140016	72	64	50	15	1,20
30140017	76	68	50	15	1,33
30140018	80	72	50	15	1,47
30140019	84	76	60	15	1,75
30140020	88	80	60	15	1,90
30140021	92	84	70	20	2,22
30140022	96	88	70	20	2,39
30140023	100	92	75	20	2,60
30140024	104	96	75	20	2,79
30140025	108	100	75	20	2,98
30140026	112	104	75	20	3,18
30140027	116	108	75	20	3,39
30140028	120	112	75	20	3,60
30140029	124	116	75	20	3,83
30140030	128	120	75	20	4,06
30140031	132	124	80	20	4,39
30140032	136	128	80	20	4,64
30140033	140	132	80	20	4,90
30140034	144	136	80	20	5,16
30140035	148	140	80	20	5,43
30140036	152	144	80	20	5,63

INGRANAGGI CILINDRICI A DENTI DIRITTI

MATERIALE C 45 UNI 7845

Disegni CAD disponibili sul sito [www.chiaravalli.com](http://www.chiaravalli.com)

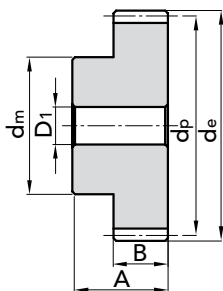
Quantità, disponibilità e prezzi con B2B Chiaravalli





## CON MOZZO LATERALE

Angolo di pressione: 20°



LARGHEZZA FASCIA B per:

Modulo **5** = 50 mm

Modulo **6** = 60 mm

Modulo **8** = 80 mm

LARGHEZZA TOTALE A per:

Modulo **5** = 75 mm

Modulo **6** = 80 mm

Modulo **8** = 110 mm

MODULO 5							MODULO 6					MODULO 8						
Z	CODICE	d <sub>e</sub>	d <sub>p</sub>	d <sub>m</sub>	ØD <sub>1</sub>	Kg	CODICE	d <sub>e</sub>	d <sub>p</sub>	d <sub>m</sub>	ØD <sub>1</sub>	Kg	CODICE	d <sub>e</sub>	d <sub>p</sub>	d <sub>m</sub>	ØD <sub>1</sub>	Kg
12	30150012	70	60	45	16	1,21	30160012	84	72	54	16	1,98						
13	30150013	75	65	50	16	1,47	30160013	90	78	60	16	2,38						
14	30150014	80	70	55	20	1,76							30180015	136	120	90	25	8,2
15	30150015	85	75	60	20	2,07	30160015	102	90	70	20	3,29						
16	30150016	90	80	65	20	2,40	30160016	108	96	75	20	3,80						
17	30150017	95	85	70	20	2,75							30180018	160	144	100	25	11,7
18	30150018	100	90	70	20	3,02	30160018	120	108	80	20	4,76						
19	30150019	105	95	70	20	3,30							30180020	176	160	120	30	14,6
20	30150020	110	100	80	20	3,83	30160020	132	120	90	20	5,99						
21	30150021	115	105	80	20	4,15												
22	30150022	120	110	80	25	4,48												
23	30150023	125	115	90	25	5,08												
24	30150024	130	120	90	25	5,44	30160024	156	144	110	25	8,70	30180024	208	192	150	30	21,7
25	30150025	135	125	90	25	5,82	30160025	162	150	110	25	9,33	30180025	216	200	150	30	23,3
26	30150026	140	130	100	25	6,50												
27	30150027	145	135	100	25	6,91												
28	30150028	150	140	100	25	7,22							30180028	240	224	170	30	29,5
29	30150029	155	145	100	25	7,98												
30	30150030	160	150	100	25	8,44							30180030	256	240	190	30	34,4
31																		
32																		
33																		
34																		
35																		
36																		
37																		
38																		
39																		
40																		
41																		
42																		
43																		
44																		
45																		
46																		
47																		
48																		
49																		
50																		
51																		
52																		
53																		
54																		
55																		
56																		
57																		
58																		
59																		
60																		

MATERIALE C 45 UNI 7845

Disegni CAD disponibili sul sito  
[www.chiaravalli.com](http://www.chiaravalli.com)

Quantità, disponibilità e prezzi  
 con B2B Chiaravalli

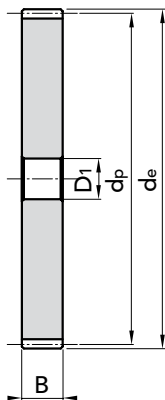




# INGRANAGGI CILINDRICI A DENTI DIRITTI

## SENZA MOZZO LATERALE

Angolo di pressione: 20°



### LARGHEZZA FASCIA B per:

- Modulo **1** = 15 mm
- Modulo **1.5** = 17 mm
- Modulo **2** = 20 mm
- Modulo **2.5** = 25 mm

INGRANAGGI CILINDRICI A DENTI DIRITTI

Z	MODULO 1					MODULO 1.5					MODULO 2					MODULO 2.5					
	CODICE	d <sub>e</sub>	d <sub>p</sub>	ØD <sub>1</sub>	Kg	CODICE	d <sub>e</sub>	d <sub>p</sub>	ØD <sub>1</sub>	Kg	CODICE	d <sub>e</sub>	d <sub>p</sub>	ØD <sub>1</sub>	Kg	CODICE	d <sub>e</sub>	d <sub>p</sub>	ØD <sub>1</sub>	Kg	
55																					
57																					
60																					
65																					
70																					
72	30210072	74	72	12	0,46	30215072	111	108	20	1,19	30220072	148	144	20	2,50	30225072	185	180	20	4,91	
75	30210075	77	75	12	0,51	30215075	115,5	112,5	20	1,30	30220075	154	150	20	2,61	30225075	192,5	187,5	20	5,33	
76	30210076	78	76	12	0,52	30215076	117	114	20	1,33	30220076	156	152	20	2,79	30225076	195	190	20	5,48	
80	30210080	82	80	12	0,58	30215080	123	120	20	1,48	30215080	164	160	20	3,09	30225080	205	200	25	6,04	
85	30210085	87	85	12	0,65	30215085	130,5	127,5	20	1,67	30215085	174	170	20	3,50	30225085	217,5	212,5	25	6,84	
90	30210090	92	90	12	0,73	30215090	138	135	20	1,78	30215090	184	180	20	3,93	30225090	230	225	25	7,68	
95	30210095	97	95	12	0,82	30215095	145,5	142,5	20	2,09	30215095	194	190	20	4,39	30225095	242,5	237,5	25	8,57	
100	30210100	102	100	12	0,91	30215100	153	150	20	2,32	30215100	204	200	20	4,87	30225100	255	250	25	9,51	
110	30210110	112	110	12	1,10	30215110	168	165	20	2,82	30215110	224	220	20	5,90	30225110	280	275	25	11,53	
114	30210114	116	114	12	1,19	30215114	174	171	20	3,03	30215114	232	228	20	6,34	30225114	290	285	25	12,39	
120	30210120	122	120	12	1,32	30215120	183	180	20	3,36	30215120	244	240	20	7,03	30225120	305	300	25	13,74	
127	30210127	129	127	12	1,47	30215127	193,5	190,5	20	3,77	30215127	258	254	20	7,89	30225127	322,5	317,5	25	15,40	

MATERIALE C 45 UNI 7845

Disegni CAD disponibili sul sito [www.chiaravalli.com](http://www.chiaravalli.com)

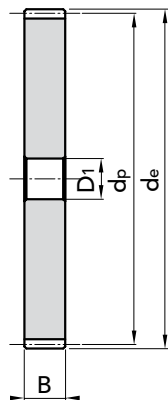
Quantità, disponibilità e prezzi con B2B Chiaravalli





## SENZA MOZZO LATERALE

Angolo di pressione: 20°



LARGHEZZA FASCIA B per:

Modulo 3 = 30 mm

Modulo 4 = 40 mm

Modulo 5 = 50 mm

Modulo 6 = 60 mm

Z	MODULO 3					MODULO 4					MODULO 5					MODULO 6				
	CODICE	d <sub>e</sub>	d <sub>p</sub>	ØD <sub>1</sub>	Kg	CODICE	d <sub>e</sub>	d <sub>p</sub>	ØD <sub>1</sub>	Kg	CODICE	d <sub>e</sub>	d <sub>p</sub>	ØD <sub>1</sub>	Kg	CODICE	d <sub>e</sub>	d <sub>p</sub>	ØD <sub>1</sub>	Kg
28																30260028	180	168	25	10,0
30																30260030	192	180	25	11,55
32											30250032	170	160	25	7,62	30260032	204	192	25	13,22
35											30250035	185	175	25	9,16	30260035	222	210	25	15,79
38						30240038	160	152	25	5,20	30250038	200	190	30	10,84	30260038	240	228	25	18,74
40						30240040	168	160	25	6,11	30250040	210	200	30	12,04	30260040	252	240	25	20,75
45						30240045	188	180	25	7,68	30250045	235	225	30	15,30					
48						30240048	200	192	25	8,87	30250048	250	240	30	17,44					
50	30230050	156	150	25	4,06	30240050	208	200	25	9,65	30250050	260	250	30	18,69					
52	30230052	162	156	25	4,40	30240052	216	208	25	10,45	30250052	270	260	30	20,43					
55	30230055	171	165	25	4,93	30240055	228	220	25	11,01	30250055	285	275	30	22,89					
57	30230057	177	171	25	5,30	30240057	236	228	25	12,59	30250057	295	285	30	24,62					
60	30230060	186	180	25	5,89	30240060	248	240	25	13,97	30250060	310	300	30	27,31					
65	30230065	201	195	25	6,92	30240065	268	260	25	16,43	30250065	335	325	30	32,12					
70	30230070	216	210	25	8,00	30240070	288	280	25	19,09	30250070	360	350	30	37,31					
72	30230072	222	216	25	8,47															
75	30230075	231	225	25	9,21	30240075	308	300	25	21,94	30250075	385	375	30	42,88					
76	30230076	234	228	25	9,46	30240076	312	304	25	22,47	30250076	390	380	30	44,04					
80	30230080	246	240	25	10,49	30240080	328	320	25	24,83	30250080	410	400	30	48,84					
85	30230085	261	255	25	11,76	30240085	348	340	25	28,18	30250085	435	425	30	55,19					
90	30230090	276	270	25	13,82	30240090	368	360	25	31,62	30250090	460	450	30	61,92					
95	30230095	291	285	25	14,86	30240095	388	380	25	35,26	30250095	485	475	30	69,03					
100	30230100	306	300	25	16,48	30240100	408	400	25	39,11	30250100	510	500	30	76,53					
110	30230110	336	320	25	19,97	30240110	448	440	25	47,38	30250110	560	550	30	92,69					
114	30230114	348	342	25	21,40	30240114	464	456	25	50,91	30250114	580	570	30	99,59					
120	30230120	366	360	25	23,74															
127	30230127	387	381	25	26,61															

MATERIALE C 45 UNI 7845

Disegni CAD disponibili sul sito  
[www.chiaravalli.com](http://www.chiaravalli.com)Quantità, disponibilità e prezzi  
con B2B Chiaravalli



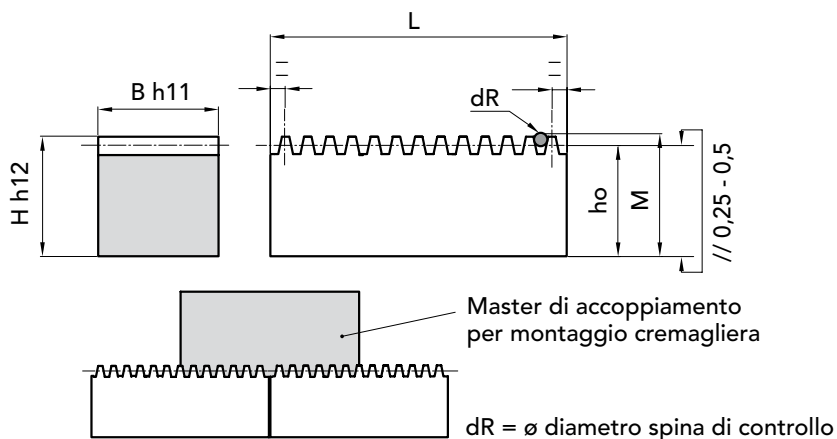


Tolleranza sul passo = fpt  
 da M=1 a M=3 = ± 0,028  
 da M=4 a M=10 = ± 0,040

Tolleranza sulla somma dei passi  
 su 100 mm = ± 0,08

Qualità in classe 9 secondo norma  
**DIN 3962/63/67**

Angolo di pressione 20°



M	B h11	H h12	dR	ho	M	M - ho	L= lunghezza reale della crem x mont continuo			
1	15 <sup>0</sup> <sub>-0,110</sub>	15 <sup>0</sup> <sub>-0,180</sub>	2	14	15,71 <sup>-0</sup> <sub>-0,35</sub>	1,71	502,1 ± 0,3	1001,6 ± 0,3	2000,4 ± 0,3	2999,3 ± 0,3
1,5	17 <sup>0</sup> <sub>-0,110</sub>	17 <sup>0</sup> <sub>-0,180</sub>	3	15,5	18,09 <sup>-0</sup> <sub>-0,35</sub>	2,59	503,6 ± 0,3	1003,1 ± 0,3	2002,0 ± 0,3	3000,8 ± 0,3
2	20 <sup>0</sup> <sub>-0,130</sub>	20 <sup>0</sup> <sub>-0,210</sub>	4	18	21,43 <sup>-0</sup> <sub>-0,35</sub>	3,43	502,1 ± 0,3	1004,6 ± 0,3	2003,6 ± 0,3	3002,4 ± 0,3
2,5	25 <sup>0</sup> <sub>-0,130</sub>	25 <sup>0</sup> <sub>-0,210</sub>	5	22,5	26,81 <sup>-0</sup> <sub>-0,40</sub>	4,31	502,1 ± 0,3	1004,6 ± 0,3	2001,8 ± 0,3	2999,1 ± 0,3
3	30 <sup>0</sup> <sub>-0,130</sub>	30 <sup>0</sup> <sub>-0,210</sub>	6	27	32,2 <sup>-0</sup> <sub>-0,40</sub>	5,2	508,3 ± 0,3	1007,7 ± 0,3	2006,4 ± 0,3	3005,4 ± 0,3
4	30 <sup>0</sup> <sub>-0,130</sub>	30 <sup>0</sup> <sub>-0,210</sub>	8	26	32,92 <sup>-0</sup> <sub>-0,40</sub>	6,92	502,1 ± 0,3	1004,6 ± 0,3	2009,7 ± 0,3	3002,3 ± 0,3
4	40 <sup>0</sup> <sub>-0,160</sub>	40 <sup>0</sup> <sub>-0,250</sub>	8	36	42,92 <sup>-0</sup> <sub>-0,40</sub>	6,92	502,1 ± 0,3	1004,6 ± 0,3	2009,7 ± 0,3	3002,3 ± 0,3
5	50 <sup>0</sup> <sub>-0,160</sub>	50 <sup>0</sup> <sub>-0,250</sub>	10	45	53,66 <sup>-0</sup> <sub>-0,40</sub>	8,66	502,1 ± 0,3	1004,6 ± 0,3	2009,7 ± 0,3	2999,1 ± 0,3
6	60 <sup>0</sup> <sub>-0,190</sub>	60 <sup>0</sup> <sub>-0,300</sub>	12	54	64,6 <sup>-0</sup> <sub>-0,40</sub>	10,6	508,3 ± 0,3	1017,0 ± 0,3	2016,0 ± 0,3	3014,8 ± 0,3
8	80 <sup>0</sup> <sub>-0,190</sub>	80 <sup>0</sup> <sub>-0,300</sub>	14	72	82,2 <sup>-0</sup> <sub>-0,40</sub>	10,2	-	-	2035,3 ± 0,3	-
10	80 <sup>0</sup> <sub>-0,190</sub>	80 <sup>0</sup> <sub>-0,300</sub>	18	70	83,74 <sup>-0</sup> <sub>-0,40</sub>	13,74	-	-	2009,7 ± 0,3	-

CREMAGLIERE ISTRUZIONI PER MONTAGGIO CONTINUO

5

MATERIALE **C 40**  
**TRAFILATO**  
**NORMALIZZATO**

Disegni CAD disponibili sul sito  
[www.chiaravalli.com](http://www.chiaravalli.com)

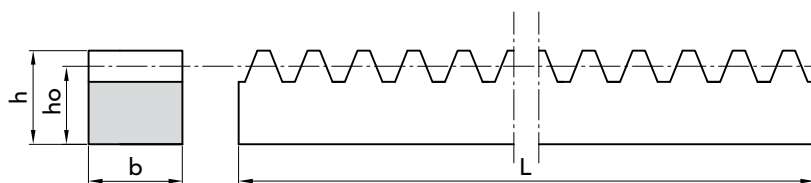
Quantità, disponibilità e prezzi  
 con B2B Chiaravalli





Angolo di pressione: 20°

Tutte le cremagliere fornite dalla Chiaravalli Group SpA sono realizzate per montaggio continuo.



#### DIMENSIONI b x h

M	CODICE	b	h	ho	L	Kg
1	30910050	15	15	14	500	0,82
	30910100				1000	1,64
	30910200				2000	3,20
	30910300				3000	4,80
1,5	30915050	17	17	15,5	500	1,00
	30915100				1000	2,05
	30915200				2000	4,00
	30915300				3000	6,00
2	30920050	20	20	18	500	1,41
	30920100				1000	2,75
	30920200				2000	5,50
	30920300				3000	8,20
2,5	30925050	25	25	22,5	500	2,10
	30925100				1000	4,50
	30925200				2000	9,00
	30925300				3000	13,40
3	30930050	30	30	27	500	3,10
	30930100				1000	6,50
	30930200				2000	13,00
	30930300				3000	19,40
4	30939050	30	30	26	500	3,05
	30939100				1000	6,10
	30939200				2000	12,50
4	30940050	40	40	36	500	5,50
	30940100				1000	11,00
	30940200				2000	23,00
	30940300				3000	34,00
5	30950050	50	50	45	500	8,30
	30950100				1000	17,50
	30950200				2000	35,00
	30950300				3000	52,40
6	30960050	60	60	54	500	12,65
	30960100				1000	25,50
	30960200				2000	51,00
	30960300				3000	76,40
8	30980200	80	80	72	2000	92,00
10	30999200	80	80	70	2000	87,90

MATERIALE **C 40**  
**TRAFILATO**  
**NORMALIZZATO**

Disegni CAD disponibili sul sito  
[www.chiaravalli.com](http://www.chiaravalli.com)

Quantità, disponibilità e prezzi  
 con B2B Chiaravalli





# RINVII ANGOLARI

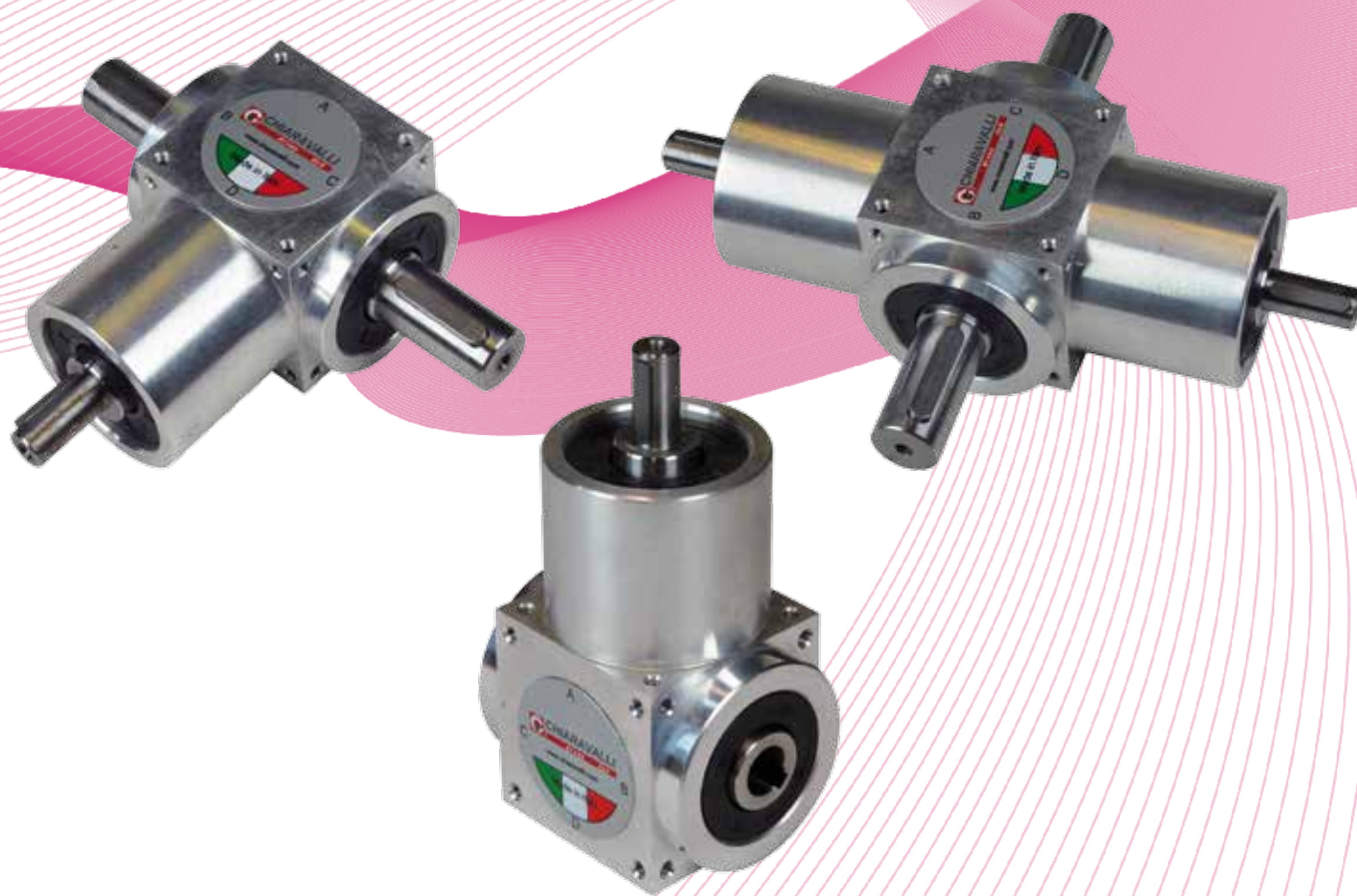
# CHQ

*I rinvii angolari serie CHQ sono stati progettati per applicazioni industriali ove occorre trasmettere un moto rotatorio di potenza tra assi disposti perpendicolarmente tra loro.*

*Otto diverse grandezze, cinque rapporti di riduzione (o moltiplica) 1:1 - 1:1,5 - 1:2 - 1:3 - 1:4, alberi da diametro 11 a 85 mm, alberi cavi passanti da diametro 12 a 80 mm con linguetta da 4 a 22 mm, oppure alberi*

*cavi con profilo scanalato UNI 8953 NT dal 6x11x14 al 10x72x82.*

*Inoltre sono disponibili alberi cavi predisposti per il trascinamento con calettatore, ed ancora flange con albero cavo e cava linguetta per attacco motore elettrico in versione B5 e B14, dalla grandezza 86 alla 160. Potenze fino a 1.074 Kw, coppie fino a 9.516 Nm, velocità di rotazione fino a 3.000 giri/minuto ed anche oltre.*







# PRODUZIONE

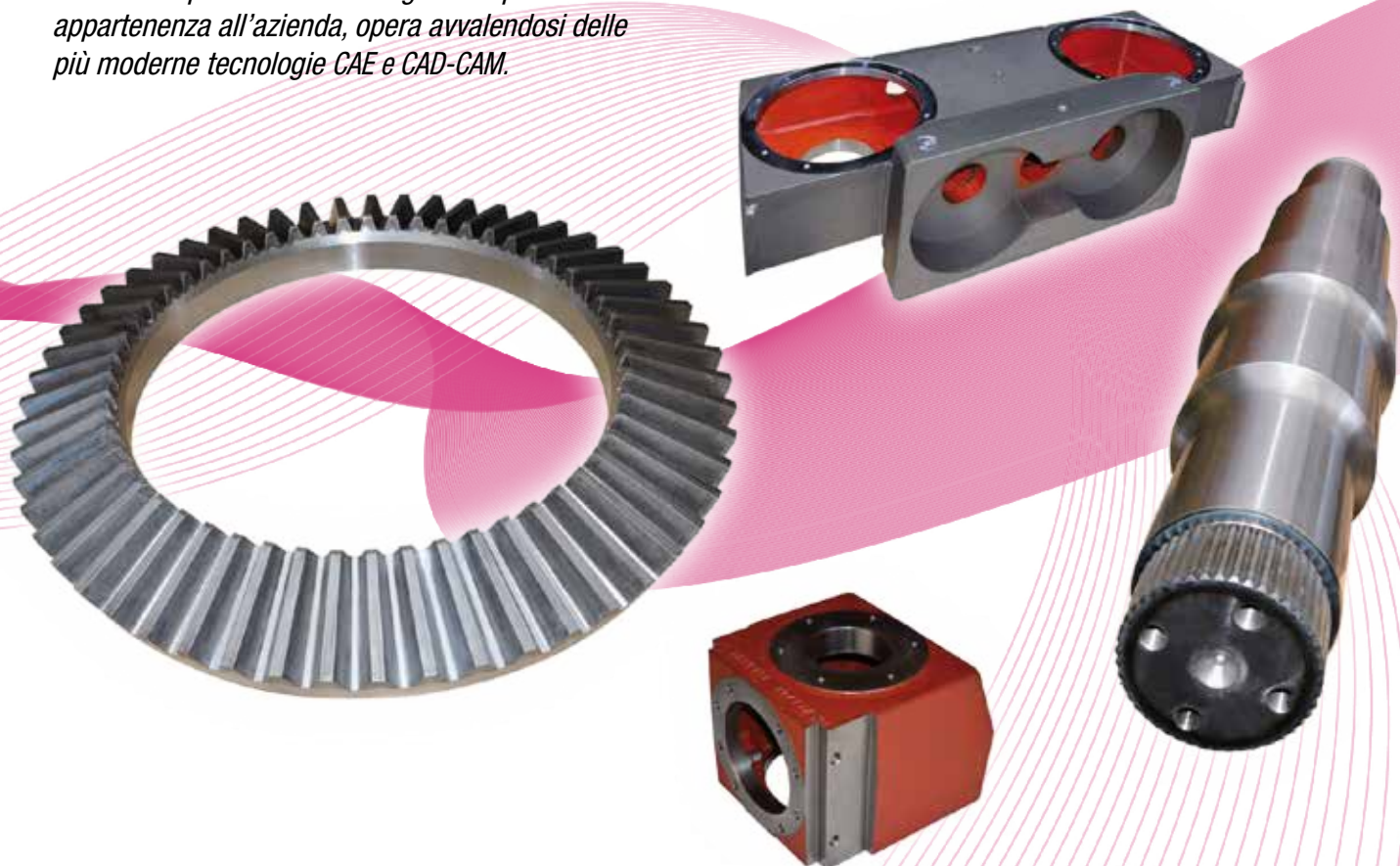
# COMPONENTI SPECIALI

*Produciamo ingranaggi e componenti meccanici di alta precisione.*

*Una vasta e variegata gamma di moderne macchine a CNC assicura capacità produttiva e qualità di elevato livello. Il personale Chiaravalli Group SpA altamente specializzato e con grande spirito di appartenenza all'azienda, opera avvalendosi delle più moderne tecnologie CAE e CAD-CAM.*

*La produzione è certificata e garantita attraverso l'utilizzo di macchine tridimensionali di misura di elevata precisione.*

***Chiaravalli Group SpA partner tecnologico per produzioni di alta qualità.***





# COPPIE CONICHE

ESECUZIONE <b>STANDARD</b>	pag. 5
ESECUZIONE <b>SPECIALE CH</b> GLEASON SYSTEM	9
ESECUZIONE <b>DIN 3971</b>	19
<b>SPIROIDALI</b>	25
PRODUZIONE SPECIALI A RICHIESTA	27





**COPPIA CONICA A DENTI DIRITTI**  
ESECUZIONE SPECIALE CH  
GLEASON SYSTEM



**COPPIA CONICA SPIROIDALE**



**COPPIA CONICA A DENTI DIRITTI**  
ESECUZIONE STANDARD



**COPPIA CONICA**  
PER TRASMISSIONI  
TRA ASSI ORTOGONALI  
ESECUZIONE DIN 3971



La ditta CHIARAVALLI GROUP SpA produce una vasta gamma di ingranaggi destinati ad impieghi tra i più svariati.

Seguendo una tradizione ormai consolidata, abbiamo definito per la lavorazione delle coppie coniche, una classe di tolleranza unificata che si traduce in un gioco di accoppiamento controllato tra le ruote.

A questo scopo abbiamo utilizzato le prescrizioni contenute nelle norme

#### **DIN 3967**

adattate alla dentatura virtuale della coppia conica e le indicazioni della norma

#### **DIN 3964**

per il calcolo degli scostamenti assiali corrispondenti, riferiti alle quote di montaggio. Siamo pertanto in grado di fornire all'utente finale precise indicazioni circa le tolleranze da rispettare nella realizzazione dei rasamenti, secondo i valori riportati dalle tabelle dimensionali.

Tutti gli ingranaggi conici di nostra produzione, vengono realizzati secondo il procedimento per involuppo di profilo su moderne dentatrici a CNC il che ci permette di assicurare un elevato livello qualitativo grazie al sistematico controllo delle tolleranze di lavorazione. Anche per questo settore tecnologico, l'attrezzatura ed il parco macchine di cui disponiamo ci consente di proporci per la realizzazione di ingranaggi e di coppie coniche a disegno e secondo specifiche del committente.

## REALIZZAZIONE SPECIALE CHIARAVALLI GROUP SPA

L'assortimento di coppie coniche realizzazione speciale CHIARAVALLI GROUP SpA, costituisce una selezione articolata in base al modulo ed al rapporto di trasmissione che si prefigge di soddisfare le esigenze generiche dell'impiantistica e della meccanica generale nella trasmissione del moto tra assi concorrenti.

Come tale, non pretende di garantire prestazioni particolarmente impegnative nè di coprire gamme estese ad ogni necessità.

La configurazione esterna delle coppie coniche, risponde ai criteri di dimensionamento, prescritti dalle norme

#### **DIN 3971**

mentre la geometria della dentatura, corretta con spostamento dei profili e variazione di conicità, costituisce una soluzione specifica esclusiva della ditta CHIARAVALLI GROUP SpA.

Questa soluzione, offre particolari vantaggi in quanto:

- migliora la frizione tra pignone e corona
- assicura una trasmissione del moto più regolare
- aumenta la resistenza del dente
- evita il fenomeno del sottotaglio sul pignone anche nel caso di elevati rapporti di trasmissione e pignoni con basso numero di denti.





# INGRANAGGI CONICI A DENTI DIRITTI

INGRANAGGI CONICI A DENTI DIRITTI



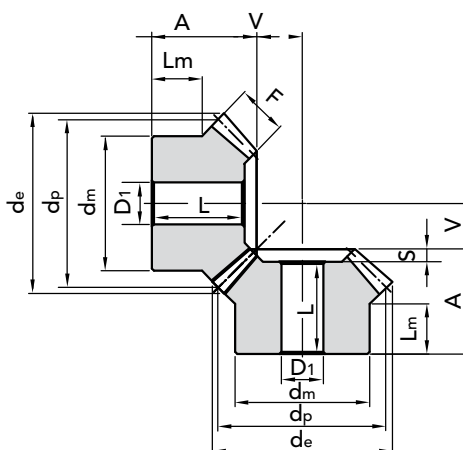




## RAPPORTO 1:1

Angolo di pressione: 20°  
ad assi normali secondo UNI 6588

Dentatura secondo norma DIN 3967



M	Z	CODICE	d <sub>p</sub>	d <sub>e</sub>	F	A	d <sub>m</sub>	D <sub>1</sub>	L	V	S	L <sub>m</sub>	Kg
1.5	16	35151116	24,0	26,12	6	18,9	20,3	8	-	7,10	-	12	0,03
	20	32151120	30,0	32,12	10	20	22	10	18	7,40	2	8,5	0,05
	25	32151125	37,5	39,62	10	23	28	10	21	11,09	2	12	0,10
	30	32151130	45,0	47,12	12	25	30	12	22,5	13,35	2,5	12	0,15
2	16	35201116	32,0	34,83	8	23,5	25,3	8	-	9,50	-	14	0,06
	20	32201120	40,0	42,83	12	25	32	10	22	10,78	3	11,7	0,14
	25	32201125	50,0	52,82	14	28	40	12	25	14,28	3	12,3	0,25
	30	32201130	60,0	62,83	16	30	50	12	27	17,78	3	12,8	0,41
2.5	16	35251116	40,0	43,53	10	28,1	30,3	12	-	11,90	-	15	0,13
	20	32251120	50,0	53,53	12	30,5	40	12	27	15,43	3,5	16	0,27
	25	32251125	62,5	66	15	33,5	50	15	30	19,48	3,5	16	0,47
	30	32251130	75,0	78,53	18	35,5	55	15	32	23,63	3,5	16	0,69
3	16	35301116	48,0	52,25	12	31,7	40,3	12	-	14,30	-	18	0,24
	20	32301120	60,0	64,24	18	35	45	15	31	16,00	4	13,6	0,41
	25	32301125	75,0	79,24	20	38	55	15	34	22,00	4	16	0,72
	30	32301130	90,0	94,24	22	40	60	20	36	28,00	4	17	0,99
3.5	16	35351116	56,0	60,95	14	36,4	45,3	16	-	16,60	-	20	0,38
	20	32351120	70,0	74,95	22	40,5	55	15	36	18,13	4,5	16,1	0,68
	25	32351125	87,5	92,45	26	43,5	65	20	39	23,97	4,5	18	1,10
	30	32351130	105,0	109,95	30	48	70	20	43,5	30,02	4,5	19	1,61
4	16	35401116	64,0	69,65	15	44,3	50,3	16	-	19,70	-	25	0,52
	20	32401120	80,0	85,65	25	43	60	18	38	20,74	5	18	0,90
	25	32401125	100,0	105,65	28	45	70	20	40	28,50	5	18	1,45
	30	32401130	120,0	125,65	32	48	80	20	43	35,67	5	16	2,66
4.5	16	35451116	72,0	78,38	17,5	46,3	55,3	20	-	21,70	-	25	0,73
	20	32451120	90,0	96,38	28	48	65	20	42	23,41	6	18	1,25
	25	32451125	112,5	118,8	32	50	75	20	44	31,76	6	18	2,04
	30	32451130	135,0	141,38	35	53	90	20	47	40,82	6	17	3,24
5	16	35501116	80,0	87,07	18	48,9	60,3	20	-	25,10	-	25	0,94
	20	32501120	100,0	107,07	30	50,5	70	20	44	26,86	6,5	18,5	1,61
	25	32501125	125,0	132,07	34	53,5	90	20	47	36,36	6,5	18	2,94
	30	32501130	150,0	157,07	38	56,5	110	20	50	45,97	6,5	18	4,46

MATERIALE C 45 UNI 7847

Disegni CAD disponibili sul sito  
[www.chiaravalli.com](http://www.chiaravalli.com)

Quantità, disponibilità e prezzi  
con B2B Chiaravalli

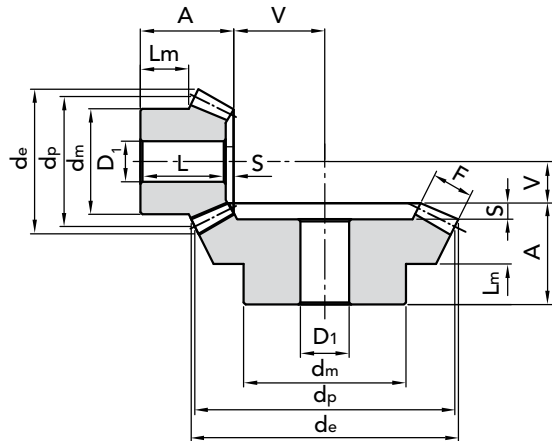




## RAPPORTO 1:2

Angolo di pressione: 20°  
ad assi normali secondo UNI 6588

**Dentatura secondo norma DIN 3967**



M	Z	CODICE	$d_p$	$d_e$	F	A	$d_m$	$D_1$	L	V	S	$L_m$	Kg
1,5	16	32151216	24,0	26,68	8	19,5	21	10	18	16,33	1,5	11,3	0,04
	32	33151232	48,0	49,34	8	20	32	12	17	7,45	3	10	0,14
2	16	32201216	32,0	35,57	10	23	26	10	21	22,41	2	11,9	0,09
	32	33201232	64,0	65,78	10	25	40	12	21	10,21	4	10	0,14
2,5	16	32251216	40,0	44,47	12	27,5	34	12	25	28,38	2,5	14,4	0,16
	32	33251232	80,0	82,23	12	25	50	15	20	12,97	5	10	0,59
3	16	32301216	48,0	53,36	15	28	40	15	25	33,64	3	11,6	0,23
	32	33301232	96,0	98,68	15	30	60	15	24	15,31	6	10	1,05
3,5	16	32351216	56,0	62,26	18	33,5	48	15	30	38,83	3,5	14,4	0,40
	32	33351232	112,0	115,12	18	31	70	20	24	17,77	7	10	1,57
4	16	32401216	64,0	71,15	20	36	50	15	32	44,81	4	13,4	0,49
	32	33401232	128,0	131,57	20	32	80	20	24	20,42	8	10	2,29
4,5	16	32451216	72,0	80,05	22	39,5	60	20	35	51,00	4,5	15,4	0,75
	32	33451232	144,0	148	22	36	90	20	27	23,21	9	10	2,99
5	16	32501216	80,0	88,94	25	50	60	20	45	56,06	5	21,1	1,07
	32	33501232	160,0	164,46	25	38	100	20	28	25,52	10	10	3,95

MATERIALE **C 45 UNI 7847**

Disegni CAD disponibili sul sito  
[www.chiaravalli.com](http://www.chiaravalli.com)

Quantità, disponibilità e prezzi  
con B2B Chiaravalli



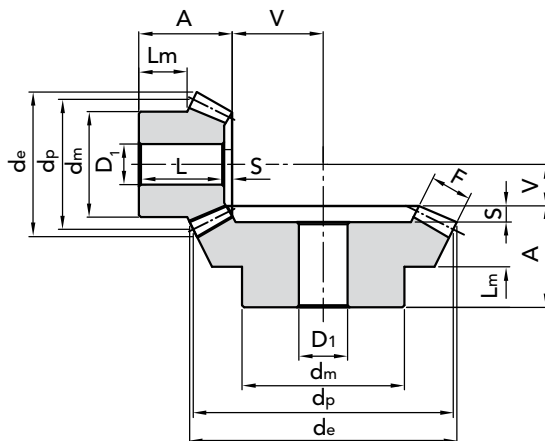




## RAPPORTO 1:3

Angolo di pressione: 20°  
ad assi normali secondo UNI 6588

Dentatura secondo norma DIN 3967



M	Z	CODICE	$d_p$	$d_e$	F	A	$d_m$	$D_1$	L	V	S	$L_m$	Kg
1,5	16	32151316	24,0	26,82	12	24	20	10	23	24,32	1	11,7	0,04
	48	33151348	72,0	72,95	12	20	50	12	17	7,27	3	10	0,31
2	16	32201316	32,0	35,8	15	28,5	26	12	27	33,26	1,5	12,4	0,08
	48	33201348	96,0	97,26	15	23	60	15	19	9,90	4	10	0,67
2,5	16	32251316	40,0	44,74	18	32	32	12	30	42,41	1,5	13	0,15
	48	33251348	120,0	121,58	18	26	70	20	21	12,60	5	10	1,22
3	16	32301316	48,0	53,69	18	32	40	15	30	54,25	2	12,1	0,27
	48	33301348	144,0	145,9	18	29	80	20	23	16,20	6	10	2,01
3,5	16	32351316	56,0	62,64	22	38	48	15	35,5	62,29	2,5	15	0,45
	48	33351348	168,0	170,21	22	31	90	20	24	18,48	7	10	3,08
4	16	32401316	64,0	71,59	25	41,5	55	20	38,5	71,23	3	15,2	0,67
	48	33401348	192,0	194,53	25	33	100	20	25	21,20	8	10	4,40
4,5	16	32451316	72,0	80,53	28	53	60	20	50	80,27	3	23,4	1,05
	48	33451348	216,0	218,84	28	49	100	20	40	23,93	9	18	7,23
5	16	32501316	80,0	89,48	35	60	60	20	57	85,61	3	22,5	1,38
	48	33501348	240,0	243,16	35	50	150	20	40	25,45	10	20	8,72

COPPIE CONICHE DENTI DIRITTI RAPPORTO 1:3

MATERIALE C 45 UNI 7847

Disegni CAD disponibili sul sito  
[www.chiaravalli.com](http://www.chiaravalli.com)

Quantità, disponibilità e prezzi  
con B2B Chiaravalli

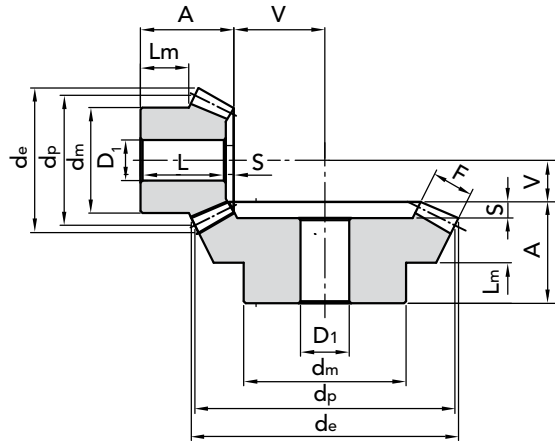




## RAPPORTO 1:4

Angolo di pressione: 20°  
ad assi normali secondo UNI 6588

Dentatura secondo norma DIN 3967



M	Z	CODICE	$d_p$	$d_e$	F	A	$d_m$	$D_1$	L	V	S	$L_m$	Kg
1,5	16	32151416	24,0	26,91	12	25	18	10	24	36,09	1	12,2	0,04
	64	33151464	96,0	96,73	12	22	70	15	19	8	3	10	0,75
2	16	32201416	32,0	35,88	15	24	25	12	23	49	1	8,2	0,08
	64	33201464	128,0	128,97	15	24	80	20	20	10,88	4	10	1,35
2,5	16	32251416	40,0	44,85	18	30,5	30	12	29	62,07	1,5	11,7	0,18
	64	33251464	160,0	161,21	18	29	90	20	24	13,74	5	10	2,70
3	16	32301416	48,0	53,82	22	34	40	15	32	74,10	2	11	0,29
	64	33301464	192,0	193,45	22	30	100	20	24	16,41	6	10	4,12
3,5	16	32351416	56,0	62,8	25	45	48	15	43	87,10	2	19,1	0,48
	64	33351464	224,0	225,7	25	50	100	20	43	19,28	7	22	7,53
4	16	32401416	64,0	71,76	30	50	50	20	48	98,17	2	18,5	0,75
	64	33401464	256,0	257,94	30	50	120	20	42	21,76	8	20	10,66
4,5	16	32451416	72,0	80,73	32	53	55	20	50,5	112,08	2,5	19	1,12
	64	33451464	288,0	290,18	32	53	130	20	44	24,83	9	23	13,8
5	16	32501416	80,0	89,7	35	58	60	20	55,5	125,12	2,5	20,6	1,54
	64	33501464	320,0	322,42	35	58	150	20	48	27,73	10	25	15,6

MATERIALE C 45 UNI 7847

Disegni CAD disponibili sul sito  
[www.chiaravalli.com](http://www.chiaravalli.com)

Quantità, disponibilità e prezzi  
con B2B Chiaravalli





# COPPIE CONICHE A DENTI DIRITTI ESECUZIONE SPECIALE CH GLEASON SYSTEM

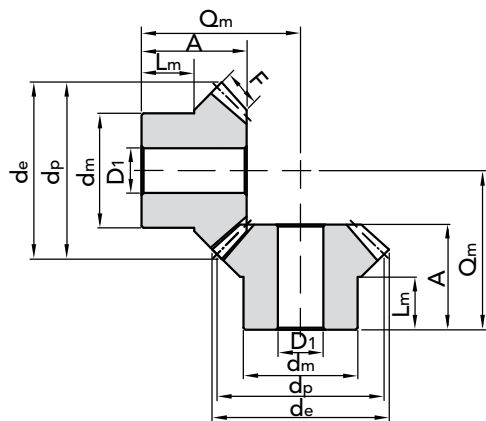
9

## RAPPORTO 1:1

Ad assi normali

Angolo di pressione: 20°

GLEASON SYSTEM



M	Z	CODICE	d <sub>p</sub>	d <sub>e</sub>	F	A	d <sub>m</sub>	D <sub>1</sub>	V	L <sub>m</sub>	Kg
1	16	35101116	16	17,4	4	11,2	13,3	4	4,8	6,5	0,02
	19	35101119	19	20,4	4	11,8	15,3	4	6,2	6,5	0,02
	22	35101122	22	23,4	4,7	12,8	16,3	5	7,2	6,5	0,02
	26	35101126	26	27,4	5,5	13,3	20,3	5	8,7	7	0,04
	30	35101130	30	31,4	6,4	16	20,3	5	10	8	0,05
1,5	16	35151116	24	26,1	6	18,9	20,3	8	7,1	12	0,04
	19	35151119	28,5	30,6	7	21,3	20,3	8	8,7	12	0,05
	22	35151122	33	35,1	7,5	22,5	25,3	8	10,5	12	0,09
	26	35151126	39	41,1	8,5	23,2	28,3	8	12,8	12	0,12
	30	35151130	45	47,1	10	27,2	30,3	12	14,8	12	0,17
2	16	35201116	32	34,8	8	23,5	25,3	8	9,5	14	0,08
	19	35201119	38	40,8	9	24,2	25,3	8	11,8	12	0,11
	22	35201122	44	46,8	10	27,9	30,3	12	14,1	14	0,18
	26	35201126	52	54,8	12	31,4	35,3	12	16,6	14	0,28
	30	35201130	60	62,8	13	34,1	40,3	14	19,9	17	0,41
2,5	16	35251116	40	43,5	10	28,1	30,3	12	11,9	15	0,14
	19	35251119	47,5	51	11	27,1	35,3	12	14,9	13	0,21
	22	35251122	55	58,5	12	30,1	45,3	16	17,9	16	0,36
	26	35251126	65	68,5	15	33,2	45,3	16	20,8	16	0,47
	30	35251130	75	78,5	16	39	50,3	16	25	20	0,74
3	16	35301116	48	52,5	12	31,7	40,3	12	14,3	18	0,28
	19	35301119	57	61,2	13	36	40,3	14	18	17	0,39
	22	35301122	66	70,2	15	36,9	50,3	16	21,1	17	0,59
	26	35301126	78	82,2	17	38,4	50,3	16	25,6	18	0,77
	30	35301130	90	94,2	19	43,8	60,3	20	30,2	22	1,19
3,5	16	35351116	56	60,9	14	36,4	45,3	16	16,6	20	0,41
	19	35351119	66,5	71,5	15	37,8	50,3	18	21	19	0,59
	22	35351122	77	81,9	17	39,1	55,3	20	24,9	18	0,84
	26	35351126	91	96	20	43,35	62,3	20	29,7	20	1,17
	30	35351130	105	110	23	47,1	70,3	20	34,9	22	1,69
4	16	35401116	64	69,7	15	44,3	50,3	16	19,7	25	0,66
	19	35401119	76	81,7	18	44,4	55,3	20	23,6	22	0,88
	22	35401122	88	93,7	20	45,9	60,3	20	28,1	22	1,21
	26	35401126	104	109,7	23	48	70,3	20	34	22	1,68
	30	35401130	120	125,7	26	54,2	80,3	20	39,8	25	2,50
4,5	16	35451116	72	78,4	17,5	46,3	55,3	20	21,7	25	0,84
	19	35451119	85,5	91,8	20	49	62,3	20	26,57	25	1,15
	22	35451122	99	105,3	22	50,1	70,3	20	31,9	25	1,72
	26	35451126	117	123	25	54,7	75,3	20	38,6	26	2,22
	30	35451130	135	141,4	29	60	80,3	20	45	28	3,25
5	16	35501116	80	87,1	18	48,9	60,3	20	25,1	25	1,10
	19	35501119	95	102,1	22	52,2	60,3	20	29,8	25	1,50
	22	35501122	110	117,1	24	58,2	80,3	20	35,8	30	2,39
	26	35501126	130	137,1	29	62,7	80,3	20	42,3	30	3,27
	30	35501130	150	157,1	32	68,9	80,3	20	50,1	35	4,13

MATERIALE C 45 UNI 7847

Disegni CAD disponibili sul sito  
[www.chiaravalli.com](http://www.chiaravalli.com)Quantità, disponibilità e prezzi  
con B2B Chiaravalli

COPPIE CONICHE DENTI DIRITTI ESECUZIONE SPECIALE CH RAPPORTO 1:1

# COPPIE CONICHE A DENTI DIRITTI ESECUZIONE SPECIALE CH GLEASON SYSTEM



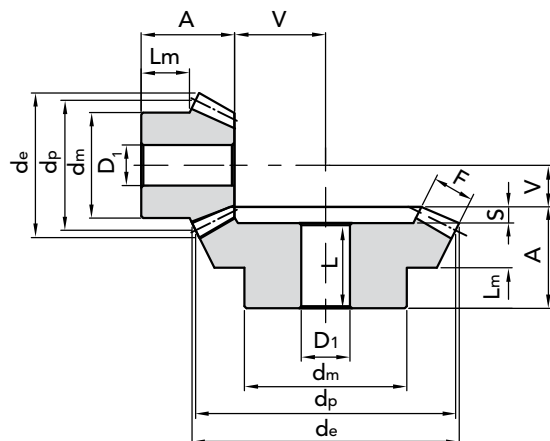
COPPIE CONICHE DENTI DIRITTI ESECUZIONE SPECIALE CH RAPPORTO 1:1.5

## RAPPORTO 1:1.5

Ad assi normali

Angolo di pressione: 20°

**GLEASON SYSTEM**



M	Z	CODICE	$d_p$	$d_e$	F	A	$d_m$	$D_1$	L	V	S	$L_m$	Kg
1	16	35101516	16	18,1	4,3	12	13,3	4		8		7	0,04
	24	36101524	24	24,8	4,3	14,8	20,3	5	13,3	5,2	1,5	9,3	0,05
1,5	16	35151516	24	27,1	8	20,3	20,3	8		10,7		11,8	0,04
	24	36151524	36	37,2	8	24,9	28,3	8	22,7	7,1	2,2	16	0,04
2	16	35201516	32	36,2	10	25,2	25,3	8		14,8		13,8	0,08
	24	36201524	48	49,7	10	27,2	32,3	8	24,7	9,8	2,5	16	0,32
2,5	16	35251516	40	45,2	13	30,8	32,3	12		18,2		16,4	0,14
	24	36251524	60	62,1	13	34	45,3	14	30,8	12	3,2	20	0,50
3	16	35301516	48	54,3	14,5	32,4	40,3	12		22,6		16,4	0,28
	24	36301524	72	74,5	14,5	36,2	55,3	16	32	14,8	4,2	20	0,96
3,5	16	35351516	56	63,3	18	40,4	45,3	16		25,6		20,4	0,41
	24	36351524	84	86,9	18	44,2	55,3	20	40	16,8	4,2	25	1,30
4	16	35401516	64	72,4	18	46,8	50,3	16		31,2		25,4	0,66
	24	36401524	96	99,3	18	45,5	60,3	20	40	20,5	5,5	25	2,50
4,5	16	35451516	72	81,4	20	47,6	60,3	20		35,4		25,1	0,84
	24	36451524	108	111,7	20	57,8	80,3	20	51,3	23,2	6,5	35	2,90
5	16	35501516	80	90,5	24	54,1	60,3	20		37,9		25,4	1,10
	24	36501524	120	124,1	24	61,1	80,3	20	54,5	24,9	6,6	35	3,50

MATERIALE C 45 UNI 7847

Disegni CAD disponibili sul sito  
[www.chiaravalli.com](http://www.chiaravalli.com)

Quantità, disponibilità e prezzi  
con B2B Chiaravalli





# COPPIE CONICHE A DENTI DIRITTI ESECUZIONE SPECIALE CH GLEASON SYSTEM

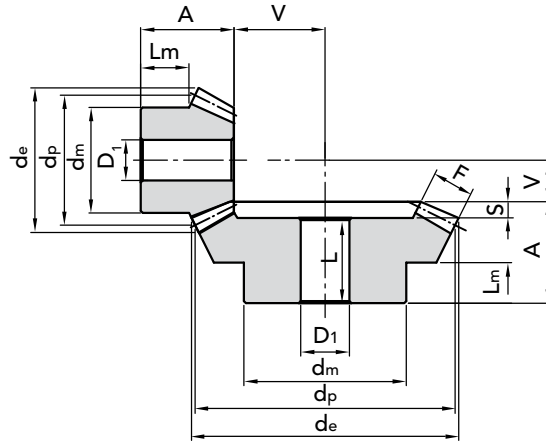
11

## RAPPORTO 1:2

Ad assi normali

Angolo di pressione: 20°

GLEASON SYSTEM



M	Z	CODICE	$d_p$	$d_e$	F	A	$d_m$	$D_1$	L	V	S	$L_m$	Kg
1	15	35101215	15	17,4	5	11,9	13,3	4		10,1		6,5	0,03
	30	36101230	30	30,6	5	15,1	20,3	5	13,7	4,9	1,4	9	0,06
1.5	15	35151215	22,5	26,1	9	21,1	19,3	8		13,9		11,9	0,04
	30	36151230	45	45,9	9	25,2	32,3	8	23	6,8	2,2	16	0,19
2	15	35201215	30	34,8	11,5	26	25,3	8		19		14,1	0,09
	30	36201230	60	61,2	11,5	29,8	40,3	14	26,8	9,2	3	18	0,32
2.5	15	35251215	37,5	43,5	15	31,8	32,3	12		23,2		16,2	0,17
	30	36251230	75	76,5	15	33,7	45,3	16	30	11,3	3,7	20	0,57
3	15	35301215	45	52,2	17	37,3	40,3	12		28,7		19,9	0,25
	30	36301230	90	91,8	17	42,1	55,3	16	38	13,9	4,1	25	1,03
3.5	15	35351215	52,5	60,9	20,5	46,1	45,3	16		32,9		24,7	0,42
	30	36351230	105	107,1	20,5	45	60,3	20	40	16	5	25	1,51
4	15	35401215	60	69,6	22,5	48,6	50,3	20		38,4		24,6	0,52
	30	36401230	120	122,3	22,5	57,3	80,3	20	51,9	18,7	5,4	35	2,21
4.5	15	35451215	67,5	78,3	26	51,4	60,3	20		42,6		24,7	0,8
	30	36451230	135	137,6	26	60,3	80,3	20	54,3	20,7	6	35	2,88
5	15	35501215	75	87	30	57,6	60,3	20		46,4		25,3	1,16
	30	36501230	150	152,9	30	62,5	80,3	20	56	22,5	6,5	35	2,79

COPPIE CONICHE DENTI DIRITTI ESECUZIONE SPECIALE CH RAPPORTO 1:2

6

MATERIALE C 45 UNI 7847

Disegni CAD disponibili sul sito  
[www.chiaravalli.com](http://www.chiaravalli.com)

Quantità, disponibilità e prezzi  
con B2B Chiaravalli





# COPPIE CONICHE A DENTI DIRITTI ESECUZIONE SPECIALE CH GLEASON SYSTEM



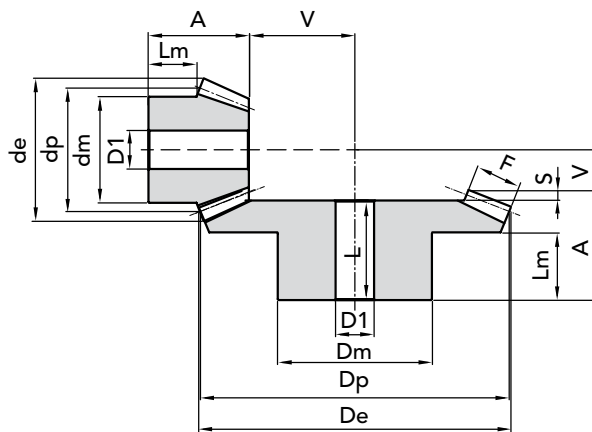
COPPIE CONICHE DENTI DIRITTI ESECUZIONE SPECIALE CH RAPPORTO 1:2.5

## RAPPORTO 1:2.5

Ad assi normali

Angolo di pressione: 20°

**GLEASON SYSTEM**



M	Z	CODICE	$d_p$	$d_e$	F	A	$d_m$	$D_1$	L	V	S	$L_m$	Kg
1	16	35102516	16	18,6	6,5	14,4	13,3	4		13,6		7,4	0,04
	40	36102540	40	40,4	6,5	14,8	25,3	8	13	5,2	1,8	9	0,09
1.5	16	35152516	24	27,9	11,5	24,2	20,3	8		18,8		12,3	0,04
	40	36152540	60	60,7	11,5	27,8	40,3	14	25,5	7,2	2,3	18	0,17
2	16	35202516	32	37,2	15	29,6	25,3	8		25,4		13,7	0,04
	40	36202540	80	80,9	15	32,4	45,3	16	29	9,6	3,4	20	0,15
2.5	16	35252516	40	46,4	19	38,4	32,3	12		31,6		18,5	0,17
	40	36252540	100	101,1	19	39,8	55,3	16	35,9	12,2	3,9	25	1,23
3	16	35302516	48	55,7	21,5	41,9	40,3	16		39,1		19,6	0,33
	40	36302540	120	121,4	21,5	47,9	60,3	20	44	15,1	3,9	30	1,83
3.5	16	35352516	56	65	22,6	49,1	45,3	20		47,9		25	0,33
	40	36352540	140	141,6	22,6	54,6	80,3	20	50	18,4	4,6	35	1,90
4	16	35402516	64	74,3	26	52,5	55,3	20		54,5		25,3	0,65
	40	36402540	170	161,8	26	57,0	80,3	20	50,5	21	6,5	35	2,53
4.5	16	35452516	72	83,6	30	56,3	60,3	20		60,7		24,6	0,97
	40	36452540	180	182,1	30	59,7	80,3	20	53	23,3	6,7	35	5,30
5	16	35502516	80	92,9	32	65,4	60,3	20		68,6		30,1	1,23
	40	36502540	200	202,3	32	65,7	90,3	20	58,3	26,3	7,4	40	7,20

MATERIALE C 45 UNI 7847

Disegni CAD disponibili sul sito  
[www.chiaravalli.com](http://www.chiaravalli.com)

Quantità, disponibilità e prezzi  
con B2B Chiaravalli





# COPPIE CONICHE A DENTI DIRITTI ESECUZIONE SPECIALE CH GLEASON SYSTEM

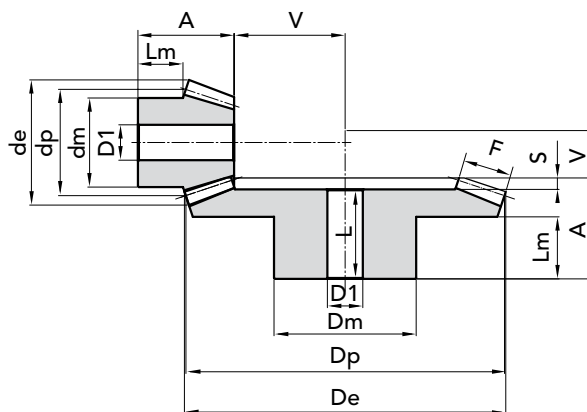
13

## RAPPORTO 1:3

Ad assi normali

Angolo di pressione: 20°

GLEASON SYSTEM



M	Z	CODICE	$d_p$	$d_e$	F	A	$d_m$	$D_1$	L	V	S	$L_m$	Kg
1	15	35101315	15	17,7	7,1	16,6	13,3	4		15,4		9,2	0,03
	45	36101345	45	45,3	7,1	17,1	25,3	8	15,2	4,9	1,9	10	0,09
1.5	15	35151315	22,5	26,5	10,5	22,6	19,3	8		23,4		11,7	0,04
	45	36151345	67,5	68,1	10,5	29,6	45,3	14	27,2	7,4	2,4	20	0,40
2	15	35201315	30	35,4	14	28,9	25,3	8		31,1		14,2	0,09
	45	36201345	90	90,8	14	32,1	45,3	16	28,4	9,9	3,7	20	0,62
2.5	15	35251315	37,5	44,2	18	34,6	32,3	12		38,4		15,9	0,17
	45	36251345	112,5	113,4	18	39,7	60,3	20	35,3	12,3	4,4	25	1,19
3	15	35301315	45	53	21	41,3	40,3	16		46,7		19,7	0,29
	45	36301345	135	136,1	21	47,2	60,3	20	42	14,8	5,2	30	1,91
3.5	15	35351315	52,5	61,9	23,5	49,6	45,3	20		55,4		25	0,48
	45	36351345	157,5	158,8	23,5	54,4	80,3	20	48,6	17,6	5,8	35	2,21
4	15	35401315	60	70,7	27,5	54,3	50,3	20		62,7		25,4	0,70
	45	36401345	180	181,5	27,5	57	80,3	20	50,5	20	6,5	35	4,21
4.5	15	35451315	67,5	79,5	28,5	55,2	55,3	20		72,8		24,8	1,14
	45	36451345	202,5	204,2	28,5	63,9	90,3	20	57	23,1	6,9	40	7,03
5	15	35501315	75	88,4	33	65,3	60,3	20		79,7		30	1,45
	45	36501345	225	226,9	33	66,7	90,3	20	59,2	25,3	7,5	40	8,42

COPPIE CONICHE DENTI DIRITTI ESECUZIONE SPECIALE CH RAPPORTO 1:3

6

MATERIALE C 45 UNI 7847

Disegni CAD disponibili sul sito  
[www.chiaravalli.com](http://www.chiaravalli.com)

Quantità, disponibilità e prezzi  
con B2B Chiaravalli



# COPPIE CONICHE A DENTI DIRITTI

## ESECUZIONE SPECIALE CH GLEASON SYSTEM



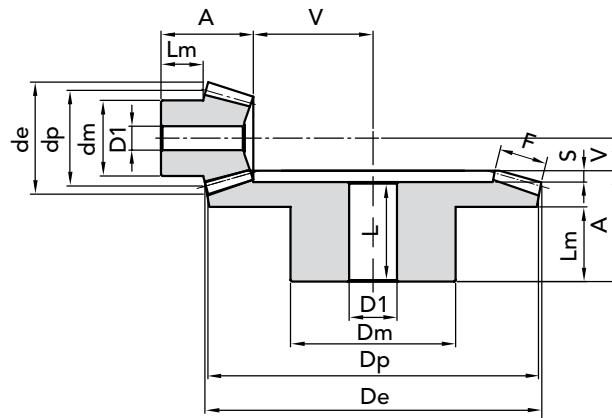
COPPIE CONICHE DENTI DIRITTI ESECUZIONE SPECIALE CH RAPPORTO 1:3.5

### RAPPORTO 1:3.5

Ad assi normali

Angolo di pressione: 20°

**GLEASON SYSTEM**



M	Z	CODICE	$d_p$	$d_e$	F	A	$d_m$	$D_1$	L	V	S	$L_m$	Kg
1.5	16	35153516	24	28,1	12	24,0	20,3	8		30		11,5	0,05
	56	36153556	84	84,5	12	34,8	45,3	14	32	8,2	2,8	25	0,63
2	16	35203516	32	37,5	16	30,9	25,3	8		40,1		14,1	0,09
	56	36203556	112	112,6	16	37,1	55,3	16	33,3	10,9	3,8	25	1,30
2.5	16	35253516	40	46,8	20	38,9	32,3	14		50,1		17,9	0,20
	56	36253556	140	140,8	20	44,4	60,3	20	40	13,6	4,4	30	2,59
3	16	35303516	48	56,2	24	49,9	40,3	16		60,1		24,9	0,31
	56	36303556	168	169	24	52,7	80,3	20	47,5	16,3	5,2	35	3,94
3.5	16	35353516	56	65,6	25	52,0	45,5	20		73		25,5	0,62
	56	36353556	196	197,1	25	55,1	80,3	20	49,1	19,9	6,0	35	5,60

MATERIALE C 45 UNI 7847

Disegni CAD disponibili sul sito  
[www.chiaravalli.com](http://www.chiaravalli.com)

Quantità, disponibilità e prezzi  
 con B2B Chiaravalli





# COPPIE CONICHE A DENTI DIRITTI ESECUZIONE SPECIALE CH GLEASON SYSTEM

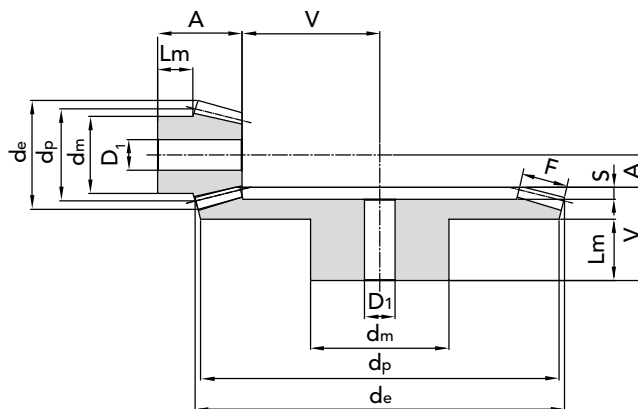
15

## RAPPORTO 1:4

Ad assi normali

Angolo di pressione: 20°

GLEASON SYSTEM



M	Z	CODICE	$d_p$	$d_e$	F	A	$d_m$	$D_1$	L	V	S	$L_m$	Kg
1	15	35101415	15	17,8	9,3	17,2	13,3	4		20,8		7,7	0,03
	60	36101460	60	60,3	9,3	17,1	30,3	8	15,2	4,9	1,9	10	0,15
1,5	15	35151415	22,5	26,7	11	23	20,3	8		34		11,7	0,05
	60	36151460	90	90,4	11	34	50,3	16	31,2	8	2,8	25	0,60
2	15	35201415	30	35,6	16	31	25,3	8		44		14,4	0,09
	60	36201460	120	120,6	16	37,6	60,3	16	34,2	10,4	3,4	25	1,30
2,5	15	35251415	37,5	44,5	19	38,1	32,3	14		55,9		18,4	0,20
	60	36251460	150	150,7	19	44,8	60,3	20	40	13,2	4,8	30	2,59
3	15	35301415	45	53,3	23	48,1	40,3	16		66,9		24,5	0,31
	60	36301460	180	180,8	23	53,2	80,3	20	48,2	15,8	5	35	3,94
3,5	15	35351415	52,5	62,2	26	52,1	45,3	20		78,9		25,1	0,60
	60	36351460	210	211	26	60,4	90,3	20	54,4	18,6	6	40	5,62
4	15	35401415	60	71,1	30	55,1	50,3	20		89,9		23	0,81
	60	36401460	240	241,1	30	60,8	90,3	20	53	21,2	7,8	40	6,43
4,5	15	35451415	67,5	79,97	32	57	52,3	20		102,9		23	1,15
	60	36451460	270	271,24	32	62	90,3	20	53,5	24,3	8,5	40	11,35
5	15	35501415	75	88,8	34	62	55,3	20		115,7		25	1,80
	60	36501460	300	301,3	34	65	90,3	20	55	27	10	40	14,45

MATERIALE C 45 UNI 7847

Disegni CAD disponibili sul sito  
[www.chiaravalli.com](http://www.chiaravalli.com)Quantità, disponibilità e prezzi  
con B2B Chiaravalli

COPPIE CONICHE DENTI DIRITTI ESECUZIONE SPECIALE CH RAPPORTO 1:4



Il progetto delle coppie coniche speciale Chiaravalli Group SpA, è stato sviluppato con l'intento di unificare l'esecuzione di questo prodotto e di ridurre il numero delle posizioni di catalogo.

I punti qualificanti del progetto possono essere identificati come segue:

- Adozione della norma

**DIN 3971**

per il dimensionamento della dentatura e del corpo esterno degli ingranaggi.

- Correzione sistematica delle dentature con spostamento di profilo per ottenere la eliminazione del sottotaglio sui pignoni, per migliorare lo strisciamento e la pressione specifica e per ottenere un dente più resistente alle sollecitazioni di flessione.

- Scelta di configurazione esterna unificata per quanto concerne l'incassatura frontale sui pignoni e sulle corone che verrà realizzata solo a partire da un determinato modulo.

- Maggiorazione generalizzata delle larghezze di fascia per il conseguimento di una più elevata capacità di carico.

- Selezione dei rapporti e del numero di denti basata unicamente sui numeri normali della serie R20 conforme alle norme

**UNI 2016 e DIN 323**

nonché alle raccomandazione

**ISO R3 ed ISO R 17,**

con le seguenti progressioni:

**Rapporto**

1:1 = 16 - 18 - 20 - 22 - 25 - 28 - 32 denti

1:2 = 16/32 denti

1:3 = 16/48 denti

1:4 = 16/64 denti

## REALIZZAZIONE SPECIALE CHIARAVALLI GROUP SPA

a norma **DIN 3971**

**SERIE COSTRUTTIVA  
AD ESAURIMENTO**





# CAPACITA' DI CARICO DELLE COPPIE CONICHE PER TRASMISSIONI TRA ASSI ORTOGONALI

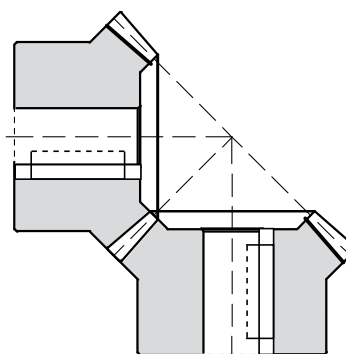
Le prestazioni meccaniche ovvero la capacità di carico delle coppie di ingranaggi conici, risultano definite dai momenti torcenti che gli ingranaggi sono in grado di trasmettere:

- in movimento, sottoforma di coppia dinamica.
- da fermo o in moto lento sottoforma di coppia statica.

La coppia dinamica ( $M_d$ ) rappresenta la coppia limite a danno per fatica a flessione, mentre la coppia statica ( $M_s$ ) indica la coppia limite a rottura per snervamento a flessione dente.

I valori dichiarati per entrambe le coppie rappresentano valori ammissibili e sono stati verificati secondo i codici di calcolo ed in base ai valori delle tensioni limite riportati dalle **NORME DIN 3991** metodo C.

In mancanza di dati relativi alle reali condizioni di esercizio, i calcoli di verifica sono validi per un Fattore di Servizio ( $F_s$ ) eguale ad 1. Per adeguare la coppia nominale alla coppia di esercizio, si raccomanda l'adozione di un fattore di sicurezza pari almeno a 1,5.



COPPIE CONICHE PER TRASMISSIONI TRA ASSI ORTOGONALI

Rapp.	M	Z	$M_d$ (Nm)	$M_s$ (Nm)	M	Z	$M_d$ (Nm)	$M_s$ (Nm)	
1:1	1	16	1,35	3,6	3	16	36,8	96	
		18	1,61	4,25		18	48	107	
		20	2	5,35		20	60	158	
		22	2,5	6,55		22	68	182	
		25	3,2	8,35		25	90	235	
		28	4	10,4		28	105	276	
	1,5	1,5	16	4,4	11,5	3,5	16	58	152
			18	5,5	14,35		18	71	171
			20	6,7	17,6		20	90	246
			22	8	21,1		22	111	300
			25	10,5	27,6		25	140	361
			28	13,2	35		28	175	449
2	2	16	10	26,3	4	16	83,6	219	
		18	12,5	30		18	111	290	
		20	15	39,5		20	138	360	
		22	18,6	48,8		22	167	437	
		25	25,4	65,5		25	212	554	
		28	31,5	82,5		28	260	681	
	2,5	2,5	16	18,5	48,5	5	16	159	415
			18	24	62		18	201	525
			20	29,5	68,8		20	248	645
			22	36	94		22	300	782
			25	45	118		25	394	1029
			28	58,5	132		28	480	1253
		32	76,5	200		32	595	1557	

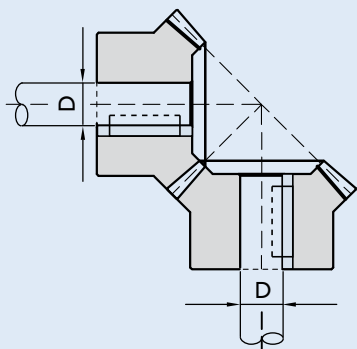
Rapp.	M	Coppia Dinamica $M_d$	Coppia Statica $M_s$
1:2	1	6,5 Nm	17,2 Nm
	1,5	23,5 Nm	61,5 Nm
	2	52,3 Nm	137 Nm
	2,5	102 Nm	267 Nm
	3	176 Nm	460 Nm
1:3	3,5	287 Nm	745 Nm
	4	416 Nm	1086 Nm
	5	808 Nm	2114 Nm
	1	18,5 Nm	48,5 Nm
	1,5	55 Nm	145 Nm
1:4	2	136 Nm	355 Nm
	2,5	270 Nm	704 Nm
	3	470 Nm	1228 Nm
	3,5	731 Nm	1910 Nm
	4	1074 Nm	2807 Nm
1:5	5	2085 Nm	3508 Nm
	1	40,5 Nm	106 Nm
	1,5	117 Nm	306 Nm
	2	277 Nm	724 Nm
	2,5	540 Nm	1410 Nm
1:6	3	956 Nm	2500 Nm
	3,5	1471 Nm	3845 Nm
	4	2087 Nm	5454 Nm
	5	3926 Nm	10270 Nm

# COPPIE CONICHE PER TRASMISSIONI TRA ASSI ORTOGONALI



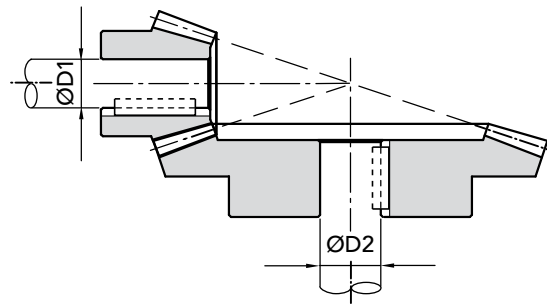
COPPIE CONICHE PER TRASMISSIONI TRA ASSI ORTOGONALI

$\varnothing D$  albero = è il diametro minimo dell'albero in grado di trasmettere la coppia torcente dinamica con una sollecitazione di taglio pari a 60 N/mm<sup>2</sup>.



$\varnothing D1$  = diametro minimo dell'albero sul pignone d'ingresso

$\varnothing D2$  = diametro minimo dell'albero sulla ruota.



N.B. I diametri degli alberi risultano commisurati alla coppia dinamica in uscita e sono verificati a resistenza per una sollecitazione di taglio pari 60 N/mm<sup>2</sup>.

Rapp.	M	Z	$\varnothing D$ albero	$M_d(N_m)$	M	Z	$\varnothing D$ albero	$M_d(N_m)$
1:1	1	16	4	3,6	3	16	13	96
		18	5	4,25		18	15	107
		20	5	5,35		20	16	158
		22	5	6,55		22	16	182
		25	6	8,35		25	18	235
		28	6	10,4		28	19	276
	1,5	3,5	32	7	13,8	32	20	354
			16	7	11,5	16	15	152
			18	7	14,35	18	17	171
			20	8	17,6	20	18	246
			22	8	21,1	22	19	300
			25	9	27,6	25	21	361
	2	4	28	9	35	28	22	449
			32	10	40,1	32	24	584
			16	9	26,3	16	17	219
			18	9	30	18	19	290
			20	10	39,5	20	21	360
			22	11	48,8	22	22	437
	2,5	5	25	12	65,5	25	24	554
			28	13	82,5	28	25	681
			32	14	95,15	32	28	855
			16	11	48,5	16	22	415
			18	12	62	18	23	525
			20	12	68,8	20	25	645

Rapp.	M	Coppia Dinamica $M_d$	Coppia Statica $M_s$	$\varnothing D1$	$\varnothing D2$
1:2	1	6,5 Nm	17,2 Nm	6	7
	1,5	23,5 Nm	61,5 Nm	9	11
	2	52,3 Nm	137 Nm	12	15
	2,5	102 Nm	267 Nm	15	19
	3	176 Nm	460 Nm	18	22
1:3	3,5	287 Nm	745 Nm	21	26
	4	416 Nm	1086 Nm	24	30
	5	808 Nm	2114 Nm	30	37
	1	18,5 Nm	48,5 Nm	7	11
	1,5	55 Nm	145 Nm	11	15
1:4	2	136 Nm	355 Nm	14	21
	2,5	270 Nm	704 Nm	18	26
	3	470 Nm	1228 Nm	22	31
	3,5	731 Nm	1910 Nm	25	36
	4	1074 Nm	2807 Nm	28	41
1:5	5	2085 Nm	3508 Nm	35	51
	1	40,5 Nm	106 Nm	9	14
	1,5	117 Nm	306 Nm	12	20
	2	277 Nm	724 Nm	16	26
	2,5	540 Nm	1410 Nm	20	33
1:6	3	956 Nm	2500 Nm	25	39
	3,5	1471 Nm	3845 Nm	29	45
	4	2087 Nm	5454 Nm	32	51
	5	3926 Nm	10270 Nm	40	63



# COPPIE CONICHE PER TRASMISSIONI TRA ASSI ORTOGONALI a norma **DIN 3971**

19

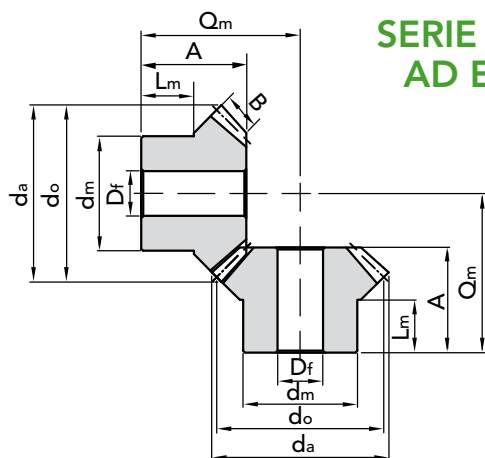
## RAPPORTO DI INGRANAGGIO 1:1

### Ingranaggi conici a denti diritti con dimensionamento secondo DIN 3971

Dentatura corretta con spostamento di profilo e bombatura longitudinale del dente.

Angolo di pressione: 20°

**Dentatura secondo norma DIN 3971**



**SERIE COSTRUTTIVA  
AD ESAURIMENTO**

M	Z	CODICE	d <sub>o</sub>	d <sub>a</sub>	D <sub>m</sub>	D <sub>f</sub>	B	L <sub>m</sub>	A	Q <sub>m</sub>	Tolleranza min.	Q <sub>m</sub> max	Kg
1	16	37101116	16	17	12	4	4	7	12,28	17	-0,02	0,02	
	18	37101118	18	19	14	4	4	7	12,31	18	-0,02	0,02	
	20	37101120	20	21	16	4	4,5	8	13,66	20	-0,02	0,02	
	22	37101122	22	23	18	5	5	8	14,01	21	-0,02	0,02	
	25	37101125	25	26	20	5	5,5	8	14,87	23	-0,02	0,02	
	28	37101128	28	29	20	5	6	9	17,74	27	-0,02	0,02	
	32	37101132	32	33	22	5	7	12	20,44	31	-0,02	0,02	
1,5	16	37151116	24	25,5	18	6	5,5	10	17,6	25	-0,02	0,02	
	18	37151118	27	28,5	20	8	6	12	20,47	29	-0,02	0,02	
	20	37151120	30	31,5	22	8	6,5	12	21,33	31	-0,02	0,02	
	22	37151122	33	34,5	24	8	7	12	22,19	33	-0,02	0,02	
	25	37151125	37,5	39	28	8	8	13,5	24,64	37	-0,03	0,03	
	28	37151128	42	43,5	30	12	9	14	27,1	41	-0,03	0,03	
	32	37151132	48	49,5	36	12	10	16	29,82	46	-0,03	0,03	
2	16	37201116	32	34	24	8	7	14	23,92	34	-0,02	0,02	
	18	37201118	36	38	28	8	7,5	15	25,3	37	-0,03	0,03	
	20	37201120	40	42	28	8	8	15	24,67	38	-0,03	0,03	
	22	37201122	44	46	30	12	9	16	28,37	43	-0,03	0,03	
	25	37201125	50	52	32	12	11	16	29,75	46	-0,03	0,03	
	28	37201128	56	58	36	12	12	18	34,47	53	-0,03	0,03	
	32	37201132	64	66	40	14	13	20	38,2	60	-0,03	0,03	
2,5	16	37251116	40	43	30	12	8	14	25,92	39	-0,03	0,03	
	18	37251118	45	48	34	12	9	15	28,13	43	-0,03	0,03	
	20	37251120	50	53	35	12	10	18	32,34	49	-0,03	0,03	
	22	37251122	55	58	42	14	11	18	33,55	52	-0,03	0,03	
	25	37251125	62,5	65,5	46	14	12	20	34,5	56	-0,03	0,03	
	28	37251128	70	73	48	14	14	22	40,17	64	-0,03	0,03	
	32	37251132	80	83	52	16	16	22	43,58	71	-0,03	0,03	

MATERIALE **C 45 UNI 7847**

Disegni CAD disponibili sul sito  
[www.chiaravalli.com](http://www.chiaravalli.com)

Quantità, disponibilità e prezzi  
con B2B Chiaravalli



COPPIE CONICHE PER TRASMISSIONI TRA ASSI ORTOGONALI RAPPORTO DI INGRANAGGIO 1:1

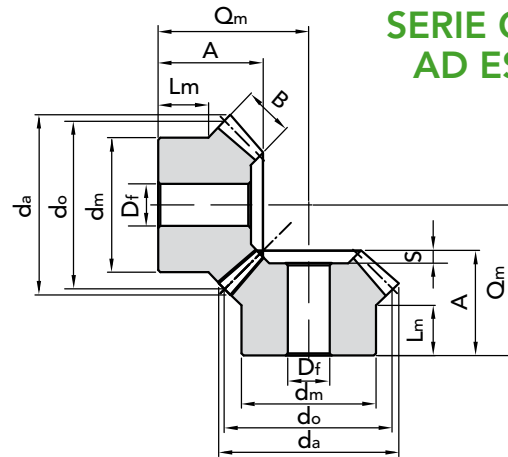

**RAPPORTO DI INGRANAGGIO 1:1**
**Ingranaggi conici a denti dritti  
con dimensionamento  
secondo DIN 3971**

Dentatura corretta con spostamento di profilo e bombatura longitudinale del dente.

Angolo di pressione: 20°

Dentatura secondo norma **DIN 3971**

**SERIE COSTRUTTIVA  
AD ESAURIMENTO**



M	Z	CODICE	$d_o$	$d_a$	$D_m$	$D_f$	B	$L_m$	A	S	$Q_m$	Tolleranza min.	$Q_m$ max	Kg
3	16	37301116	48	51,5	36	12	12	16	31,85	4	46	-0,03	0,03	
	18	37301118	54	57,5	40	14	14	18	36,24	4	52	-0,03	0,03	
	20	37301120	60	63,5	45	14	16	20	37,63	4	55	-0,03	0,03	
	22	37301122	66	69,5	50	16	16	20	37,7	4	58	-0,03	0,03	
	25	37301125	75	78,5	50	16	16	24	45,29	4	70	-0,03	0,03	
	28	37301128	84	87,5	55	16	18	25	48,21	4	76	-0,03	0,03	
	32	37301132	96	99,5	66	16	20	25	49,63	4	82	-0,04	0,04	
3,5	16	37351116	56	60	40	14	14	18	35,5	5	52	-0,03	0,03	
	18	37351118	63	67	45	14	16	18	38,4	5	57	-0,03	0,03	
	20	37351120	70	74	50	16	18	22	44,3	5	65	-0,03	0,03	
	22	37351122	77	81	55	16	20	22	46,21	5	69	-0,03	0,03	
	25	37351125	87,5	91,5	60	16	20	25	48,07	5	76	-0,04	0,04	
	28	37351128	98	102	65	16	22	25	50,25	5	82	-0,04	0,04	
	32	37351132	112	116	75	20	25	25	55,37	5	92	-0,04	0,04	
4	16	37401116	64	69	48	16	15	25	45,5	6	65	-0,03	0,03	
	18	37401118	72	77	55	16	18	25,5	49,55	6	71	-0,03	0,03	
	20	37401120	80	85	60	16	20	27	49,97	6	74	-0,03	0,03	
	22	37401122	88	93	62	16	22	27	55,38	6	82	-0,04	0,04	
	25	37401125	100	105	70	20	24	25	54,84	6	86	-0,04	0,04	
	28	37401128	112	117	80	20	26	25	55,28	6	91	-0,04	0,04	
	32	37401132	128	133	90	20	28	30	59,75	6	102	-0,04	0,04	
5	16	37501116	80	86	60	16	18	25	50,14	7	75	-0,03	0,03	
	18	37501118	90	96	63	16	20	30	54,56	7	83	-0,04	0,04	
	20	37501120	100	106	70	20	22	30	59,99	7	92	-0,04	0,04	
	22	37501122	110	116	80	20	24	30	60,41	7	96	-0,04	0,04	
	25	37501125	125	131	85	20	28	35	69,71	7	110	-0,04	0,04	
	28	37501128	140	146	90	20	30	38	74,67	7	121	-0,04	0,04	
	32	37501132	160	166	100	20	32	45	85,16	7	140	-0,04	0,04	

MATERIALE **C 45 UNI 7847**

Disegni CAD disponibili sul sito  
[www.chiaravalli.com](http://www.chiaravalli.com)

Quantità, disponibilità e prezzi  
con B2B Chiaravalli





# COPPIE CONICHE PER TRASMISSIONI TRA ASSI ORTOGONALI a norma **DIN 3971**

21

## RAPPORTO DI INGRANAGGIO 1:2

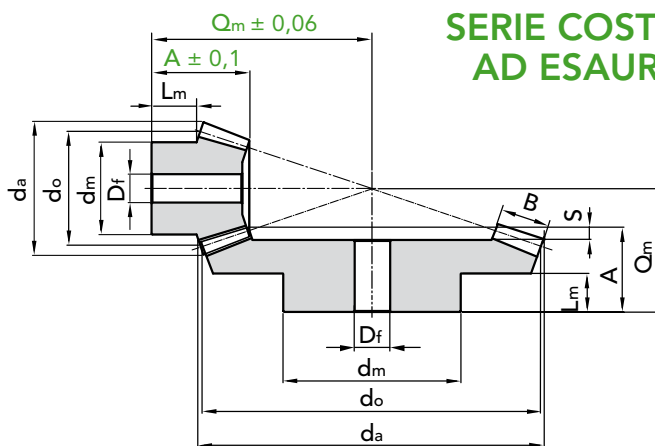
### Ingranaggi conici a denti dritti con dimensionamento secondo DIN 3971

Dentatura corretta con spostamento  
di profilo e bombatura longitudinale  
del dente.

Angolo di pressione: 20°

**Dentatura secondo norma DIN 3971**

**SERIE COSTRUTTIVA  
AD ESAURIMENTO**



M	Z	CODICE	d <sub>o</sub>	d <sub>a</sub>	D <sub>m</sub>	D <sub>f</sub>	B	L <sub>m</sub>	A	S	Q <sub>m</sub>	Tolleranza Q <sub>m</sub> min.	Q <sub>m</sub> max	Kg
1	16	37101216	16	18	12	4	6	5	11,78		22	-0,02	0,02	
	32	38101232	32	32	18	5	6	10	18,04	2	23	-0,02	0,02	
1,5	16	37151216	24	27	18	8	10	10,5	21,53		36	-0,03	0,03	
	32	38151232	48	48	30	8	10	14	24,97	3	32	-0,03	0,03	
2	16	37201216	32	36	24	8	12	11	24,56		45	-0,03	0,03	
	32	38201232	64	64,5	36	12	12	13	28,08	4	38	-0,03	0,03	
2,5	16	37251216	40	45,5	32	12	15	15	32,45		58	-0,03	0,03	
	32	38251232	80	80,5	48	16	15	18	37,6	5	50	-0,03	0,03	
3	16	37301216	48	55	36	14	18	14	34,34	3	65	-0,04	0,04	
	32	38301232	96	97	60	14	18	20	40,12	5	55	-0,04	0,04	
3,5	16	37351216	56	64	42	14	22	18	42,1	3	77	-0,04	0,04	
	32	38351232	112	113	70	16	22	22	45,06	6	62	-0,04	0,04	
4	16	37401216	64	73	48	14	24	20	45,13	4	86	-0,04	0,04	
	32	38401232	128	129	80	20	24	25	50,16	7	70	-0,04	0,04	
5	16	37501216	80	91	56	16	30	25	59,91	5	111	-0,04	0,04	
	32	38501232	160	161	100	20	30	30	60,2	8	85	-0,04	0,04	

MATERIALE **C 45 UNI 7847**

Disegni CAD disponibili sul sito  
[www.chiaravalli.com](http://www.chiaravalli.com)

Quantità, disponibilità e prezzi  
con B2B Chiaravalli



COPPIE CONICHE PER TRASMISSIONI TRA ASSI ORTOGONALI RAPPORTO DI INGRANAGGIO 1:2



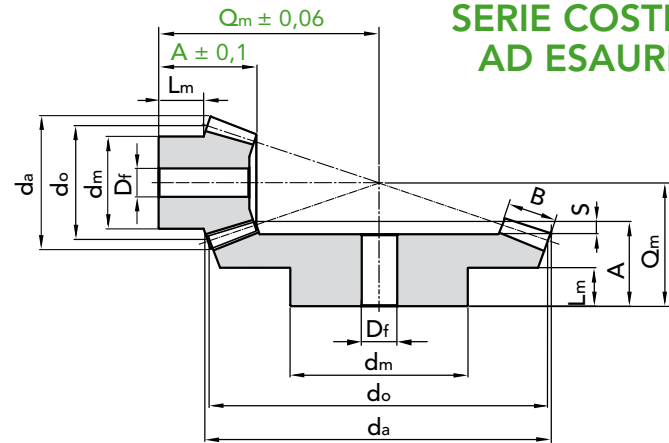

**RAPPORTO DI INGRANAGGIO 1:3**
**Ingranaggi conici a denti dritti  
con dimensionamento  
secondo DIN 3971**

Dentatura corretta con spostamento di profilo e bombatura longitudinale del dente.

Angolo di pressione: 20°

**Dentatura secondo norma DIN 3971**

**SERIE COSTRUTTIVA  
AD ESAURIMENTO**



M	Z	CODICE	d <sub>o</sub>	d <sub>a</sub>	D <sub>m</sub>	D <sub>f</sub>	B	L <sub>m</sub>	A	S	Q <sub>m</sub>	Tolleranza Q <sub>m</sub> min. max.	Kg
1	16	37101316	16	18	12	4	8	7,3	15,91		32	-0,03 0,03	
	48	38101348	48	47,5	26	8	8	12	21,85	2,5	27	-0,03 0,03	
1,5	16	37151316	24	27,5	18	8	10	9	20,01		46	-0,04 0,04	
	48	38151348	72	71,5	46	12	10	14	25,68	3	34	-0,04 0,04	
2	16	37201316	32	37	25	10	14	12,8	27,96		62	-0,04 0,04	
	48	38201348	96	95,5	55	16	14	17	32,11	4	43	-0,04 0,04	
2,5	16	37251316	40	46,3	32	12	18	15,6	34,92		77	-0,05 0,05	
	48	38251348	120	119,5	70	20	18	20	40,54	5	54	-0,05 0,05	
3	16	37301316	48	55,5	38	14	22	16,3	39,88	3	90	-0,05 0,05	
	48	38301348	144	144	80	20	22	20	44,96	6	61	-0,05 0,05	
3,5	16	37351316	56	65	48	16	25	18,6	44,91	3	104	-0,05 0,05	
	48	38351348	168	168	90	20	25	25	50,09	7	69	-0,05 0,05	
4	16	37401316	64	74,5	52	16	28	18	47,93	4	116	-0,06 0,06	
	48	38401348	192	192	100	20	28	25	55,22	7	77	-0,06 0,06	
5	16	37501316	80	93	63	16	35	27	64,92	4	150	-0,06 0,06	
	48	38501348	240	240,5	140	20	35	30	64,78	9	92	-0,06 0,06	

MATERIALE **C 45 UNI 7847**

Disegni CAD disponibili sul sito  
[www.chiaravalli.com](http://www.chiaravalli.com)

Quantità, disponibilità e prezzi  
con B2B Chiaravalli





# COPPIE CONICHE PER TRASMISSIONI TRA ASSI ORTOGONALI a norma **DIN 3971**

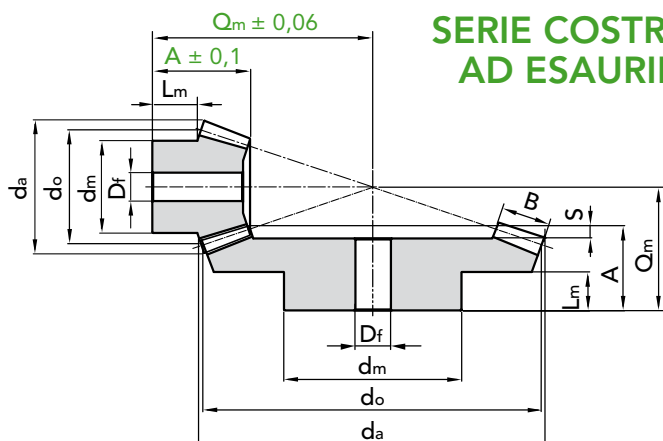
## RAPPORTO DI INGRANAGGIO 1:4

### Ingranaggi conici a denti dritti con dimensionamento secondo DIN 3971

Dentatura corretta con spostamento di profilo e bombatura longitudinale del dente.

Angolo di pressione: 20°

**Dentatura secondo norma DIN 3971**



**SERIE COSTRUTTIVA  
AD ESAURIMENTO**

M	Z	CODICE	d <sub>o</sub>	d <sub>a</sub>	D <sub>m</sub>	D <sub>f</sub>	B	L <sub>m</sub>	A	S	Q <sub>m</sub>	Tolleranza Q <sub>m</sub> min.	Q <sub>m</sub> max	Kg
1	16	37101416	16	18	14	4	10	7,75	17,94		40	-0,04	0,04	
	64	38101464	64	63,5	38	8	10	12	21,69	2,5	27	-0,04	0,04	
1,5	16	37151416	24	27,5	20	8	12	12,45	25,08		61	-0,05	0,05	
	64	38151464	96	95,5	56	16	12	15	30,35	3	39	-0,05	0,05	
2	16	37201416	32	37	26	10	16	11,2	28,11		76	-0,05	0,05	
	64	38201464	128	127,5	75	16	16	16	32,47	4	44	-0,05	0,05	
2,5	16	37251416	40	46,5	32	14	20	14	35,13		95	-0,06	0,06	
	64	38251464	160	159,5	90	20	20	20	40,58	5	55	-0,06	0,06	
3	16	37301416	48	56	40	14	25	13	39,12	2	110	-0,06	0,06	
	64	38301464	192	191,5	100	20	25	20	44,93	6	62	-0,06	0,06	
3,5	16	37351416	56	66	48	16	28	15	44,19	3	128	-0,07	0,07	
	64	38351464	224	223,5	120	20	28	30	59,82	7	80	-0,07	0,07	
4	16	37401416	64	75	52	16	32	20,5	54,22	3	150	-0,07	0,07	
	64	38401464	256	255,5	140	20	32	35	70,93	8	94	-0,07	0,07	
5	16	37501416	80	94,5	65	16	36	22,1	60,44	4	184	-0,08	0,08	
	64	38501464	320	320	170	20	36	35	75,24	10	105	-0,08	0,08	

MATERIALE **C 45 UNI 7847**

Disegni CAD disponibili sul sito  
[www.chiaravalli.com](http://www.chiaravalli.com)

Quantità, disponibilità e prezzi  
con B2B Chiaravalli





## GLEASON SYSTEM

La serie degli ingranaggi conici con dentatura spirale sistema "GLEASON" costituisce una ottimizzazione degli assortimenti di coppie coniche unificate.

Per il dimensionamento di massima e per la definizione delle caratteristiche geometriche i criteri adottati risultano quanto più possibile aderenti alla Normativa Internazionale mentre per la scelta dei dati nominali qualificanti è stata adottata una progressione secondo la serie dei numeri normali stabiliti dalle norme **DIN 323** ed **ISO R3/R17**.

La dentatura spirale conforme al sistema "GLEASON" è frutto di un progetto specifico mirato al conseguimento di caratteristiche funzionali ottimizzate rispetto a parametri geometrici spesso in contrasto tra di loro.

Il dimensionamento qualificante della dentatura, riguarda in particolare:

- La scelta di una altezza del dente ribassata.
- La correzione con spostamento di profilo
- L'adozione di un fondo dente costante:  $\alpha_n = 20^\circ$
- Il gioco di fondo dente costante lungo la fascia dentata ed altri accorgimenti di natura geometrica.

La presente serie di ingranaggi conici con dentatura spirale è destinata all'impiego generico nell'impiantistica e nella meccanica generale per cui il progetto è stato concepito per privilegiare le prestazioni meccaniche normalmente richieste da questo settore e particolare cura è stata posta nella definizione degli elementi geometrici che determinano il fattore di ricoprimento della dentatura e le reazioni vincolari da cui dipende il carico sui supporti della coppia dentata.

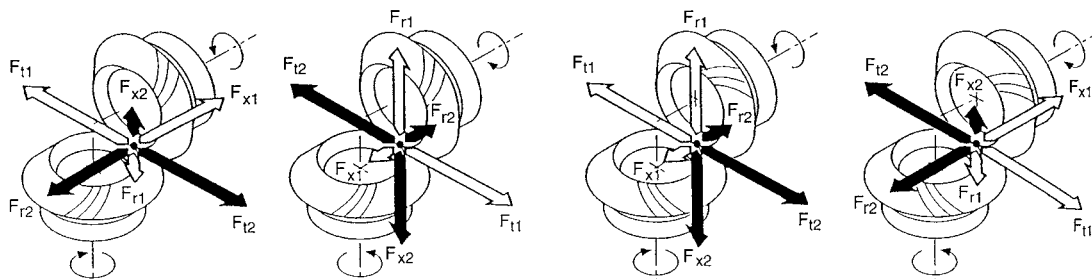
Per la loro natura gli ingranaggi conici con dentatura spirale sono destinati ad un impiego più qualificante che non quello delle coppie coniche a denti diritti.

Ovviamente e nell'ambito della sua tradizionale collaborazione tecnica con gli utilizzatori finali, l'ufficio tecnico della CHIARAVALLI GROUP SpA è a disposizione per fornire i suggerimenti riguardanti casi e problematiche più specifiche.

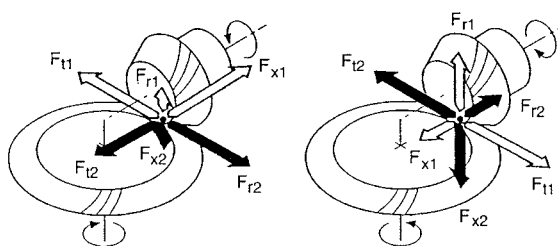


### Direzioni e versi delle forze agenti su ingranaggio conico spirale

**R. 1:1**



**R. 1:2**



pignone con elica sinistrorsa come ruota motrice

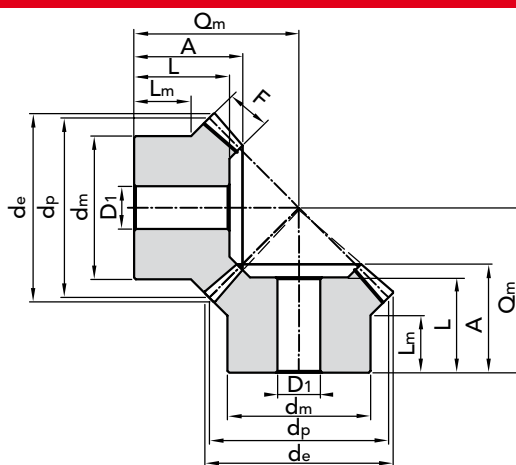


ruota dentata con elica destrorsa come ruota mossa



RAPPORTO 1:1

GLEASON SYSTEM



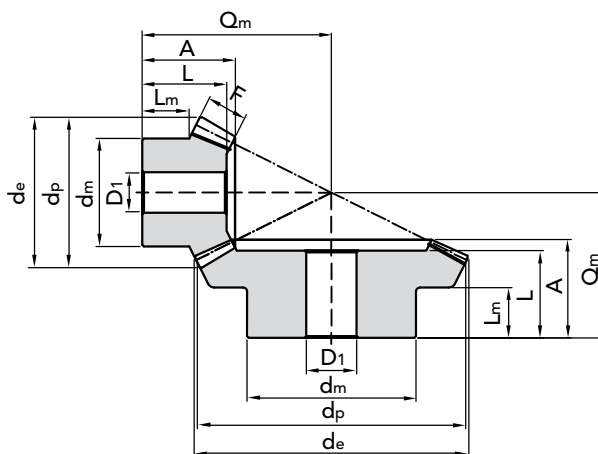
M	Z	CODICE SX	CODICE DX	$d_p$	$d_m$	$D_1$	F	$d_e$	$L_m$	L	A	$Q_m$	Kg
1,5	16	31151116	31151117	24	18	8	6	25,3	9	16	16,7	24	0,04
	20	31151120	31151121	30	22	8	7	31,3	10	18	19,4	29	-0,05
	25	31151125	31151126	37,5	28	8	8	38,8	11,5	21	22,5	35	-0,1
	30	31151130	31151131	45	32	10	10	46,3	11	23	25,1	40	0,40
2	16	31201116	31201117	32	25	10	9	34	9,45	16,9	19,9	29	0,06
	20	31201120	31201121	40	32	10	12	42	11,95	21,7	24,9	36	-0,05
	25	31201125	31201126	50	40	12	14	52	11,9	24,8	27,4	42	-0,1
	30	31201130	31201131	60	50	12	16	62	12,95	26,9	29,9	48	0,42
2,5	16	31251116	31251117	40	32	12	10	42,5	13	21,8	24,8	37	0,13
	20	31251120	31251121	50	40	12	12	52,5	16	26,7	30,2	46	-0,05
	25	31251125	31251126	62,5	50	15	15	65	16	29,9	33,2	53	-0,1
	30	31251130	31251131	75	55	15	18	77,5	16	31,8	35	59	0,69
3	16	31301116	31301117	48	40	15	12	51	16	25,8	29,4	44	0,23
	20	31301120	31301121	60	45	15	18	63	13,5	30,7	34,5	51	-0,076
	25	31301125	31301126	75	55	15	20	78	16	33,7	37,5	60	-0,127
	30	31301130	31301131	90	60	20	22	93	19	35,8	39,5	68	0,99
4	16	31401116	31401117	64	50	15	15	68	17,75	30,8	36	56	0,51
	20	31401120	31401121	80	60	18	17	84	18	32,5	37,5	64	-0,102
	25	31401125	31401126	100	70	20	21	104	18	35,2	40,4	74	-0,152
	30	31401130	31401131	120	80	25	25	124	16	38,1	43,2	84	2,10
5	16	31501116	31501117	80	60	20	17	85	18,9	35,5	41,9	68	0,88
	20	31501120	31501121	100	70	20	21	105	18,5	37,7	44,8	78	-0,127
	25	31501125	31501126	125	90	20	26	130	18,5	41,8	47,8	90	-0,178
	30	31501130	31501131	150	110	30	32	155	18	45,7	52,5	103	4,25

MATERIALE C 45 UNI 7847

Disegni CAD disponibili sul sito  
[www.chiaravalli.com](http://www.chiaravalli.com)

Quantità, disponibilità e prezzi  
con B2B Chiaravalli




**RAPPORTO 1:2**
**GLEASON SYSTEM**


M	Z	CODICE SX	CODICE DX	$d_p$	$d_m$	$D_1$	F	$d_e$	$L_m$	L	A	$Q_m$	Kg	
1,5	16	31151216		24	20	10	8	26,5	9,5	17	18,6	35	-0,05 -0,1	0,07
	32		31151232	48	32	12	8	48,3	10	18	20	28	-0,05 -0,1	0,29
2	16	31201216		32	27	10	10	35,5	11,7	21	22,5	45	-0,05 -0,1	0,09
	32		31201232	64	40	12	10	64,5	10	21,5	24,1	35	-0,05 -0,1	0,32
2,5	16	31251216		40	32	12	12	44,5	14	25,1	27,5	56	-0,05 -0,1	0,17
	32		31251232	80	50	15	12	80,5	15	25,9	29,2	43	-0,05 -0,1	0,57
3	16	31301216		48	40	15	15	53,5	12	25,2	28,4	62	-0,076 -0,127	0,25
	32		31301232	96	60	15	15	97	15	29,8	34,6	51	-0,076 -0,127	1,03
4	16	31401216		64	50	20	20	71,5	13,5	32,2	36,2	81	-0,102 -0,152	0,52
	32		31401232	128	80	20	20	129	23	38,7	44,2	66	-0,102 -0,152	2,21
5	16	31501216		80	60	20	25	89,5	21	45,3	50	106	-0,127 -0,178	1,16
	32		31501232	160	90	25	25	162	27	46,8	53,7	81	-0,127 -0,178	2,79

MATERIALE C 43 UNI 7847

 Disegni CAD disponibili sul sito  
[www.chiaravalli.com](http://www.chiaravalli.com)

 Quantità, disponibilità e prezzi  
 con B2B Chiaravalli



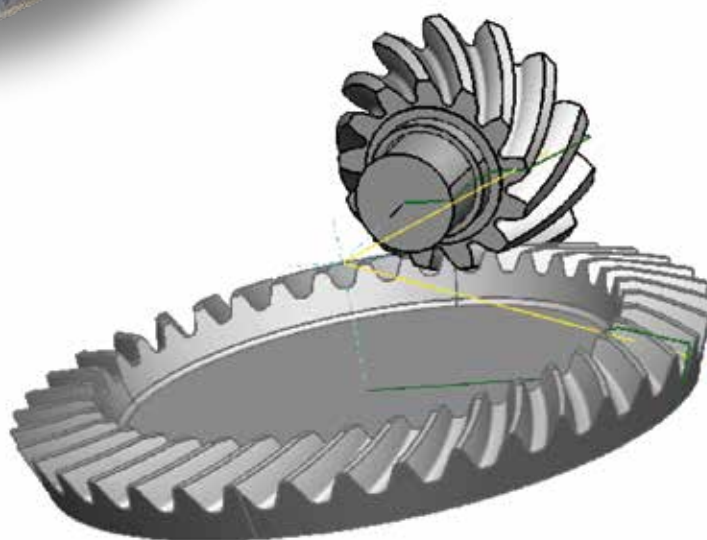
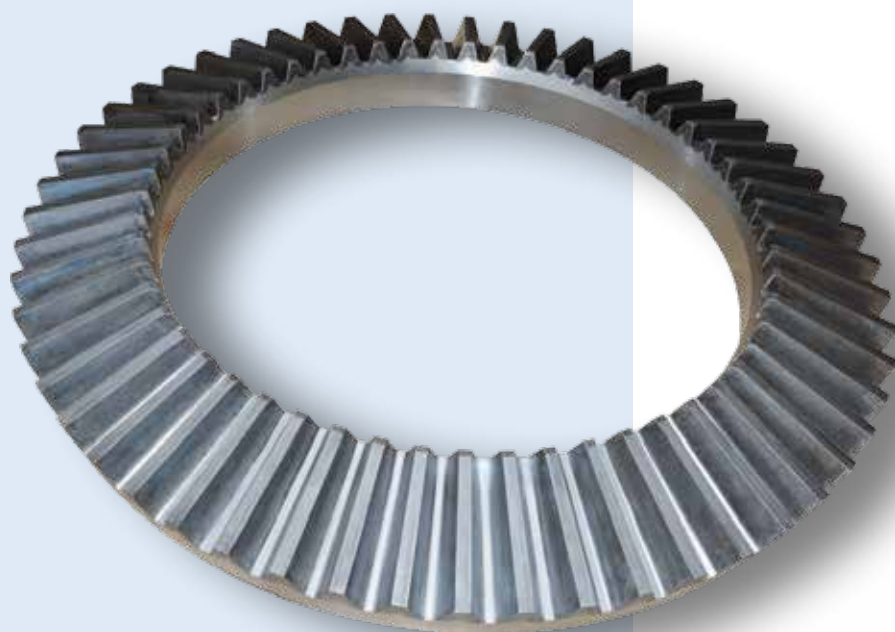









Dentatura conica  
elicoidale GLEASON SYSTEM  
a denti diritti o spiroidale  
temprati o dolci  
con dimensioni minime da  
 $\varnothing$  150 mm a massimo  $\varnothing$  2200 mm  
in qualità **Classe 7**  
secondo **DIN 3962**



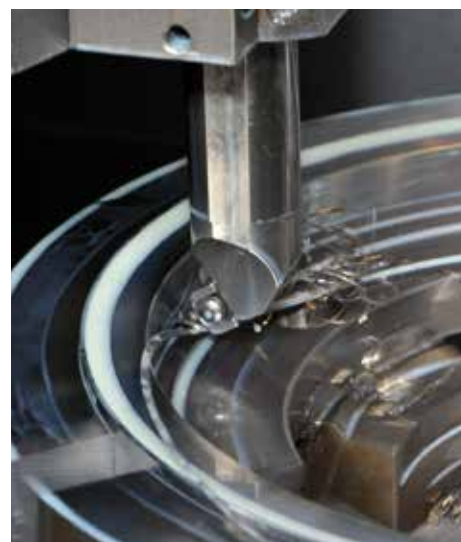


# IL NOSTRO PARCO MACCHINE

IL NOSTRO PARCO **MACCHINE**



Un parco macchine  
modernissimo,  
aggiornato  
costantemente  
con importanti  
investimenti annuali  
programmati.







Una vasta gamma di macchine di misura tridimensionali per assicurare una qualità certificata.





# MARTINETTI

# MECCANICI

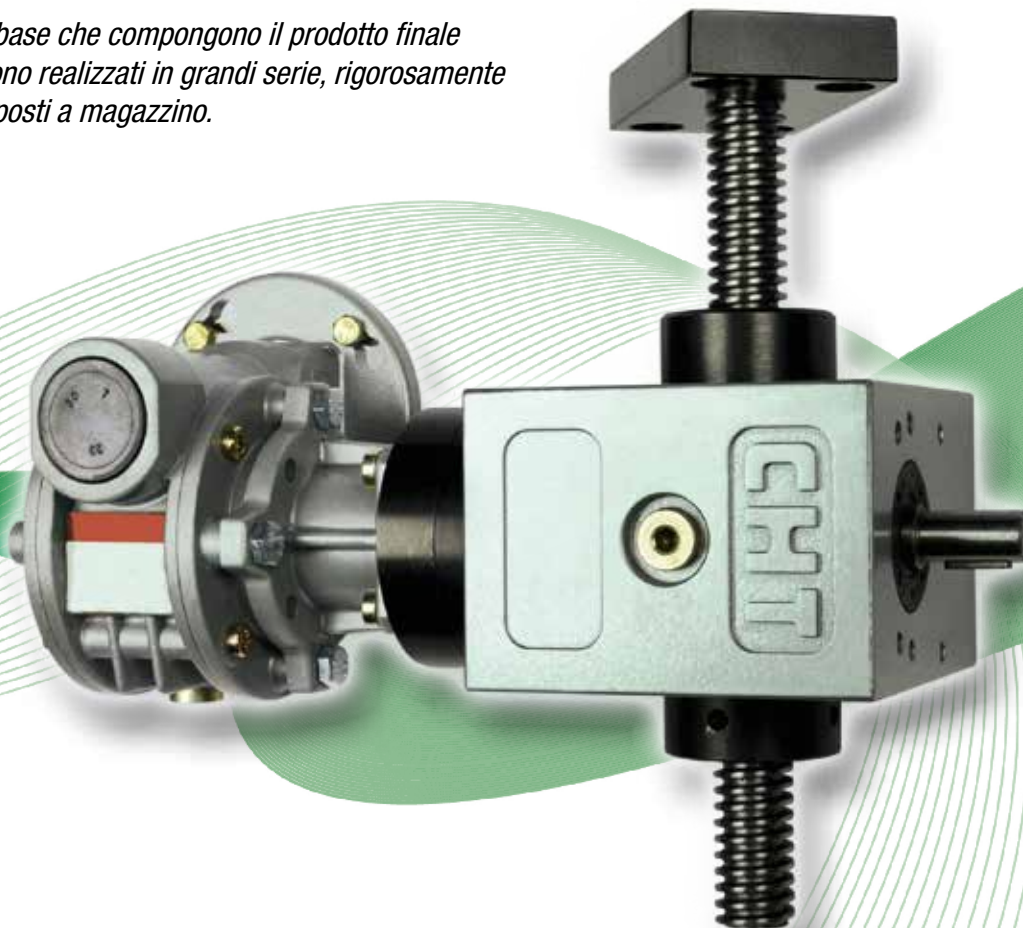
*La nuova linea di prodotto Martinetti Meccanici denominata CHT (Chiaravalli High Tech) si integra e completa la gamma degli articoli destinati alla Trasmissione Meccanica.*

*La nuova linea di prodotti è realizzata utilizzando materiali di alta qualità, lavorati con precisioni assolute, usufruendo del moderno parco macchine di aziende appartenenti alla Chiaravalli Group SpA.*

*Gli elementi base che compongono il prodotto finale Martinetto sono realizzati in grandi serie, rigorosamente controllati e posti a magazzino.*

*Uno speciale software realizzato dalla Chiaravalli Group SpA permette ai nostri clienti di combinare omogeneamente i vari elementi e di realizzare prima, in versione virtuale, il martinetto richiesto e poi, in seconda fase, di ordinarlo con assoluta precisione.*

*L'impegno della Chiaravalli Group SpA è di garantire la consegna di questo prodotto in tempi ristrettissimi, con qualità e precisioni garantite.*

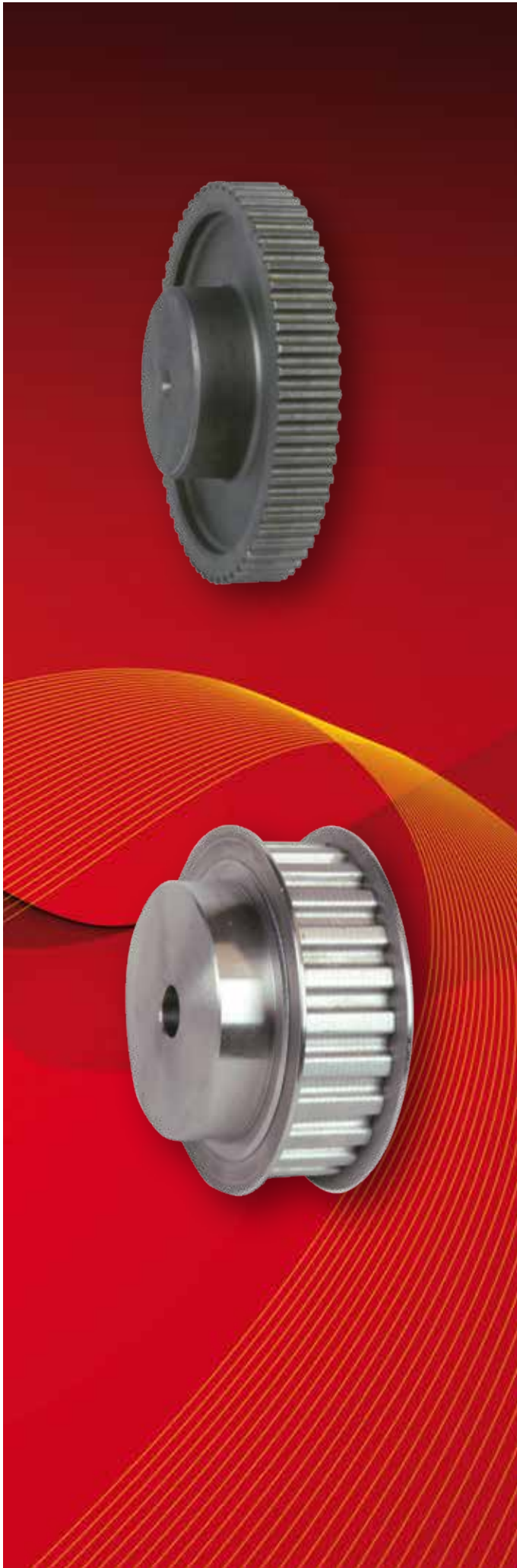




# PULEGGE DENTATE

<b>PULEGGE DENTATE CON FORO INIZIALE</b> TIPO MXL - XL - L - H - XH - XXH	pag. 5
<b>PULEGGE DENTATE EXPORT</b> TIPO XL - L - H	21
<b>PULEGGE DENTATE TAPER-LOCK<sup>®</sup></b> TIPO L - H	31
<b>PULEGGE DENTATE HTD<sup>®</sup> CON FORO INIZIALE</b> TIPO 3M - 5M - 8M - 14M	40
<b>PULEGGE DENTATE HTD<sup>®</sup> TAPER LOCK<sup>®</sup></b> TIPO 5M - 8M - 14M	55
<b>PULEGGE DENTATE GT<sup>®</sup> CON FORO INIZIALE</b> TIPO 3MR - 5MR	67
<b>PULEGGE DENTATE POLY CHAIN<sup>®</sup> GT<sup>®</sup></b> TIPO 8M - 14M	73
<b>PULEGGE DENTATE PASSO METRICO T</b> TIPO T2,5 - T5 - T10	84
<b>PULEGGE DENTATE "CT" PASSO METRICO AT</b> TIPO CT5 - CT10	94







## PER TRASMISSIONI SINCRONE

Nelle trasmissioni sincrone tramite elementi flessibili, le cinghie e le pulegge dentate occupano una posizione di rilevante interesse. Esse consentono di risolvere in modo efficiente ed in termini di assoluta convenienza economica problemi che diversamente avrebbero richiesto l'impiego di cinematismi ad ingranaggi o di trasmissioni con catene a maglie articolate.

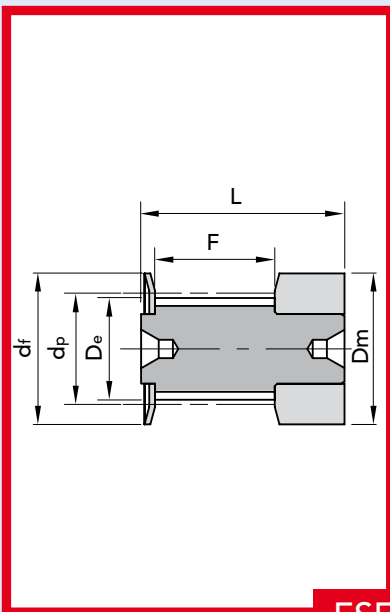
Infatti le prestazioni offerte dalle trasmissioni sincrone a cinghia risultano analoghe a quelle tipiche sia delle catene che degli ingranaggi rispetto ai quali tuttavia presentano ulteriori vantaggi derivanti dalle loro caratteristiche costruttive.

Questa evidente versatilità di impiego, è sostanzialmente dovuta alle caratteristiche di funzionamento comuni a tutte le trasmissioni sincrone a cinghia dentata riassumibili nei termini che seguono:

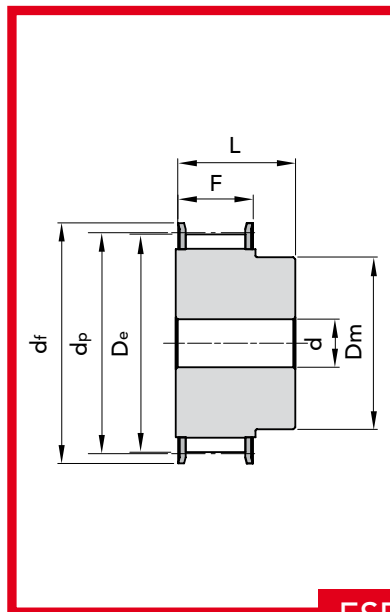
- Trasmissione del moto assolutamente sincrona data la totale assenza di scorrimenti.
- Regolarità e costanza del moto dato che la cinghia dentata non presenta l'avvolgimento poligonale e la conseguente fluttuazione di velocità tipica delle trasmissioni a catena.
- Elevata inestensibilità della cinghia che trasmette il movimento in assenza di apprezzabili cedimenti e quindi senza perdite di moto (lost-motion).
- Modesta pretensione di montaggio non essendo richiesta aderenza tra la cinghia e la puleggia.
- Minimo carico radiale sugli alberi e sui rapporti.
- Elevata capacità di trasmissione della potenza e di coppie elevate a bassa velocità.
- Silenziosità, buon rendimento, minimo ingombro e ridotte esigenze di manutenzione.

La qualità di una trasmissione sincrona, dipende in eguale misura dalle caratteristiche sia della cinghia che della puleggia che pertanto devono rispondere a criteri di progettazione e di costruzione severi.

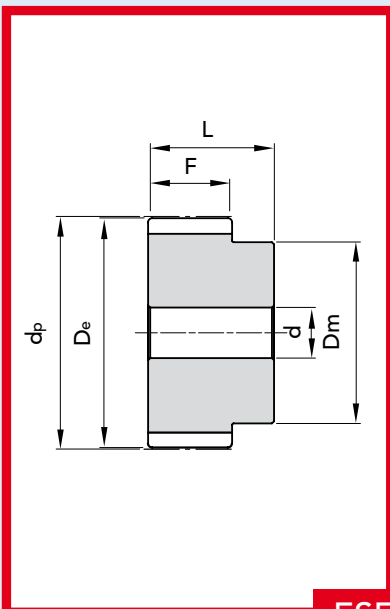
La ditta CHIARAVALLI GROUP SpA, si avvale della collaborazione tecnica dei più qualificati produttori di cinghie a livello mondiale e produce tutta la sua gamma di pulegge dentate nel rispetto della Normativa vigente ma attuando una serie di accorgimenti intesi a migliorare l'accoppiamento con la cinghia.



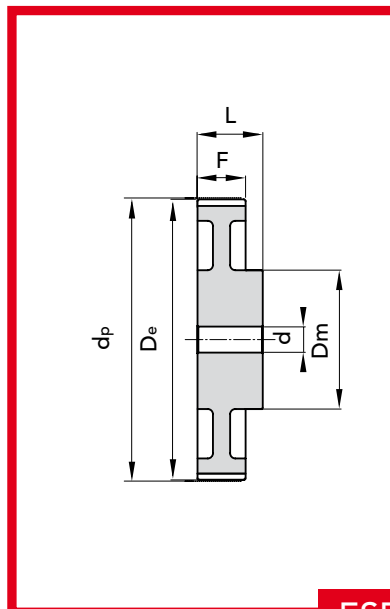
**ESECUZIONE 0F**



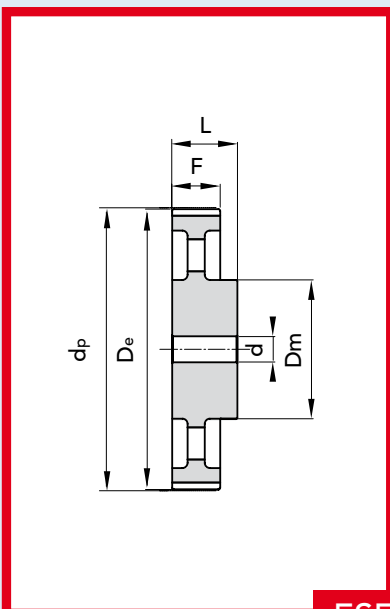
**ESECUZIONE 1F**



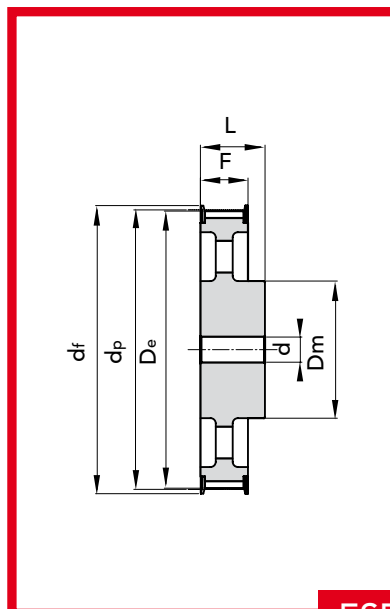
**ESECUZIONE 2**



**ESECUZIONE 3**



**ESECUZIONE 4**



**ESECUZIONE 5F**





# PULEGGE DENTATE CON FORO INIZIALE

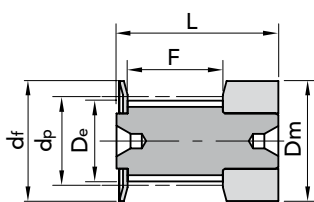
5

PER CINGHIE POSITIVE

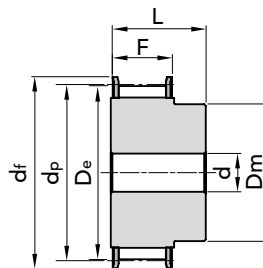
TIPO **MXL 025**

PASSO 0.080" (2.032 mm)

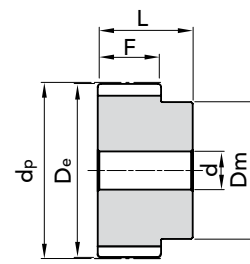
Dentature diverse  
fornibili a richiesta



ESEC. 0F



ESEC. 1F



ESEC. 2

TIPO	CODICE	N. DENTI	ESEC.	Dp	De	Df FLANGIA	Dm MOZZO	F	L	d	N. FLANGIA	Peso kg.
16 MXL 025	42025116	16	0F	10,35	9,84	15	15	8,5	16,0	-	502	0,01
18 MXL 025	42025118	18	0F	11,64	11,12	16	16	8,5	16,0	-	503	0,01
20 MXL 025	42025120	20	0F	12,94	12,43	16	16	8,5	16,0	-	503	0,01
22 MXL 025	42025122	22	1F	14,23	13,72	17	10	11	16,0	3	504	0,01
24 MXL 025	42025124	24	1F	15,52	15,01	20	10	11	16,0	3	505	0,01
28 MXL 025	42025128	28	1F	18,11	17,60	25	11	11	16,0	3	506	0,01
30 MXL 025	42025130	30	1F	19,40	18,90	25	12	11	16,0	4	506	0,02
32 MXL 025	42025132	32	1F	20,70	20,19	26	14	11	16,0	4	507	0,02
36 MXL 025	42025136	36	1F	23,29	22,78	28	16	11	16,0	4	508	0,02
40 MXL 025	42025140	40	1F	25,87	25,37	32	18	11	16,0	4	509	0,03
42 MXL 025	42025142	42	1F	27,17	26,67	32	18	11	16,0	5	509	0,03
44 MXL 025	42025144	44	1F	28,46	27,95	36	18	11	16,0	5	510	0,03
48 MXL 025	42025148	48	2	31,05	30,54	-	20	11	16,0	5	-	0,03
60 MXL 025	42025160	60	2	38,81	38,30	-	24	11	16,0	5	-	0,04
72 MXL 025	42025172	72	2	46,57	46,06	-	25	11	16,0	6	-	0,05

PULEGGE DENTATE CON FORO INIZIALE TIPO MXL 025

7

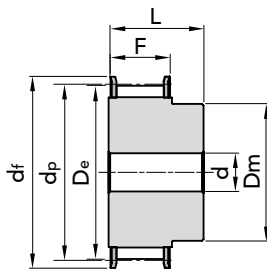
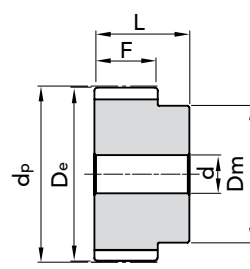
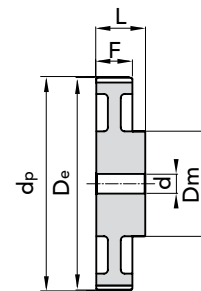
MATERIALE **ALLUMINIO**

Disegni CAD disponibili sul sito  
[www.chiaravalli.com](http://www.chiaravalli.com)

Quantità, disponibilità e prezzi  
con B2B Chiaravalli



Le immagini non sono identificative del prodotto.


**PER CINGHIE POSITIVE**
**TIPO XL 037**
**PASSO 1/5" (5.08 mm)**
**Dentature diverse  
fornibili a richiesta**

**ESEC. 1F**

**ESEC. 2**

**ESEC. 3**

TIPO	CODICE ALLUMINIO	CODICE ACCIAIO	N. DENTI	ESEC.	Dp	De	FLANGIA		Dm	F	L	d	N. FLANGIA	Peso	
							Df	MOZZO						Acc kg.	All Kg.
10 XL 037	42037110	42037010	10	1F	16,17	15,66	23	9,5	14,3	20	-	1	0,01	0,01	
11 XL 037	42037111	42037011	11	1F	17,79	17,28	23	9,5	14,3	20	-	1	0,01	0,01	
12 XL 037	42037112	42037012	12	1F	19,40	18,90	25	10	14,3	20	-	2	0,01	0,01	
13 XL 037	42037113	42037013	13	1F	21,02	20,51	25	10	14,3	20	-	2	0,01	0,01	
14 XL 037	42037114	42037014	14	1F	22,64	22,13	28	15	14,3	20	-	4	0,02	0,02	
15 XL 037	42037115	42037015	15	1F	24,26	23,75	28	15	14,3	20	-	4	0,02	0,02	
16 XL 037	42037116	42037016	16	1F	25,87	25,36	32	16	14,3	20	-	5	0,03	0,03	
17 XL 037	42037117	42037017	17	1F	27,49	26,98	32	20	14,3	20	-	6	0,03	0,03	
18 XL 037	42037118	42037018	18	1F	29,11	28,60	35,0	20	14,3	20	-	7	0,04	0,04	
19 XL 037	42037119	42037019	19	1F	30,72	30,22	35	20	14,3	22	-	7	0,04	0,04	
20 XL 037	42037120	42037020	20	1F	32,34	31,83	38	23,5	14,3	22	-	9	0,05	0,05	
21 XL 037	42037121	42037021	21	1F	33,96	33,45	38	23,5	14,3	22	-	9	0,05	0,05	
22 XL 037	42037122	42037022	22	1F	35,57	35,07	41	25	14,3	22	6	10	0,06	0,06	
24 XL 037	42037124	42037024	24	1F	38,81	38,30	44	30	14,3	22	6	12	0,06	0,06	
26 XL 037	42037126	42037026	26	1F	42,04	41,53	48	30	14,3	22	8	11	0,09	0,09	
27 XL 037	42037127	42037027	27	1F	43,66	43,15	48	30	14,3	22	8	11	0,09	0,09	
28 XL 037	42037128	42037028	28	1F	45,28	44,77	51	34	14,3	22	8	16	0,1	0,1	
30 XL 037	42037130	42037030	30	1F	48,51	48,00	54	38	14,3	22	8	18	0,12	0,12	
32 XL 037	42037132	42037032	32	1F	51,74	51,24	57	38	14,3	25	8	20	0,12	0,12	
34 XL 037	42037134	42037034	34	1F	54,98	54,47	61	38	14,3	25	8	22	0,13	0,13	
35 XL 037	42037135	42037035	35	1F	56,60	56,09	61	38	14,3	25	8	22	0,14	0,14	
36 XL 037	42037136		36	2	58,21	57,70	-	45	14,3	25	8	-	-	0,14	
38 XL 037	42037138		38	2	61,45	60,94	-	45	14,3	25	8	-	-	0,15	
40 XL 037	42037140		40	2	64,68	64,17	-	45	14,3	25	8	-	-	0,16	
42 XL 037	42037142		42	2	67,91	67,41	-	45	14,3	25	8	-	-	0,18	
44 XL 037	42037144		44	2	71,15	70,64	-	45	14,3	25	8	-	-	0,19	
48 XL 037	42037148		48	3	77,62	77,11	-	45	14,3	25	10	-	-	0,19	
60 XL 037	42037160		60	3	97,02	96,51	-	45	14,3	25	10	-	-	0,22	
72 XL 037	42037172		72	3	116,42	115,92	-	45	14,3	25	10	-	-	0,44	

**MATERIALE ACCIAIO/ALLUMINIO**
**MATERIALE ALLUMINIO**

 Disegni CAD disponibili sul sito  
[www.chiaravalli.com](http://www.chiaravalli.com)
**Quantità, disponibilità e prezzi  
con B2B Chiaravalli**




# PULEGGE DENTATE CON FORO INIZIALE

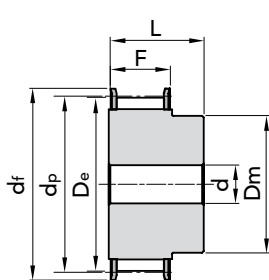
7

PER CINGHIE POSITIVE

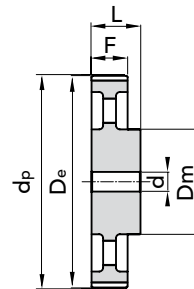
TIPO **L 050**

PASSO 3/8" (9.52 mm)

Dentature diverse  
fornibili a richiesta



ESEC. 1F



ESEC. 4

TIPO	CODICE	N. DENTI	ESEC.	Dp	De	Df FLANGIA	Dm MOZZO	F	L	d	N. FLANGIA	Peso kg.
10 L 050	42050010	10	1F	30,33	29,56	37	20	19	28	8	50	0,11
11 L 050	42050011	11	1F	33,35	32,59	37	22	19	30	8	50	0,14
12 L 050	42050012	12	1F	36,37	35,62	43	24	19	30	8	52	0,17
13 L 050	42050013	13	1F	39,41	38,65	44	28	19	30	8	83	0,21
14 L 050	42050014	14	1F	42,44	41,68	48	28	19	30	8	54	0,24
15 L 050	42050015	15	1F	45,48	44,72	51	34	19	30	8	55	0,29
16 L 050	42050016	16	1F	48,51	47,75	54	36	19	32	8	56	0,33
17 L 050	42050017	17	1F	51,54	50,78	57	36	19	32	10	57	0,38
18 L 050	42050018	18	1F	54,59	53,81	60	40	19	32	10	58	0,44
19 L 050	42050019	19	1F	57,61	56,84	64	40	19	32	10	59	0,47
20 L 050	42050020	20	1F	60,63	59,88	66,5	40	19	32	10	60	0,51
21 L 050	42050021	21	1F	63,68	62,91	70	45	19	32	10	61	0,6
22 L 050	42050022	22	1F	66,70	65,94	75	45	19	32	10	62	0,64
23 L 050	42050023	23	1F	69,73	68,97	79	55	19	32	10	63	0,78
24 L 050	42050024	24	1F	72,77	72,00	79	55	19	32	10	63	0,81
25 L 050	42050025	25	1F	75,80	75,04	82,5	58	19	32	10	64	0,89
26 L 050	42050026	26	1F	78,84	78,07	86	58	19	32	11	65	0,94
27 L 050	42050027	27	1F	81,86	81,10	86	58	19	32	11	65	0,99
28 L 050	42050028	28	1F	84,89	84,13	91	58	19	32	11	66	1,04
30 L 050	42050030	30	1F	90,96	90,20	97	70	19	32	11	68	1,17
32 L 050	42050032	32	1F	97,03	96,26	102	70	19	32	11	70	1,41
33 L 050	42050033	33	1F	100,05	99,29	106	70	19	32	11	71	1,49
34 L 050	42050034	34	1F	103,08	102,32	112	70	19	32	11	72	1,57
35 L 050	42050035	35	1F	106,12	105,35	112	70	19	32	11	72	1,62
36 L 050	42050036	36	1F	109,14	108,39	115	70	19	32	11	74	1,7
40 L 050	42050040	40	1F	121,29	120,51	128	70	19	32	11	78	2,03
42 L 050	42050042	42	1F	127,34	126,57	135	70	19	32	11	80	2,21
44 L 050	42050044	44	1F	133,4	132,64	142	70	19	32	11	81	2,38
45 L 050	42050045	45	1F	136,44	135,67	142	70	19	32	11	81	2,48
48 L 050	42050048	48	1F	145,54	144,77	150	70	19	32	11	85	2,78
50 L 050	42050050	50	4	151,6	150,83	-	70	19	32	14	-	1,74
52 L 050	42050052	52	4	157,66	156,9	-	70	19	32	14	-	1,8
56 L 050	42050056	56	4	169,79	169,02	-	70	19	32	14	-	1,87
57 L 050	42050057	57	4	172,82	172,06	-	70	19	32	14	-	1,88
60 L 050	42050060	60	4	181,92	181,15	-	75	19	42	14	-	2,41
72 L 050	42050072	72	4	218,29	217,53	-	75	19	42	14	-	2,82
84 L 050	42050084	84	4	254,69	253,92	-	75	19	42	14	-	3,08
96 L 050	42050096	96	4	291,06	290,3	-	75	19	42	14	-	3,42

MATERIALE **ACCIAIO**  
**C 45**

MATERIALE **GHISA**

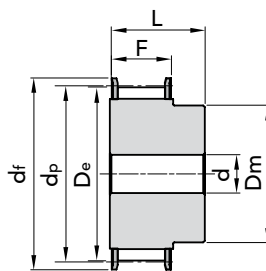
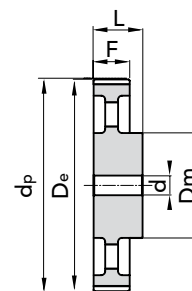
Disegni CAD disponibili sul sito  
[www.chiaravalli.com](http://www.chiaravalli.com)

Quantità, disponibilità e prezzi  
con B2B Chiaravalli

Le immagini non sono identificative del prodotto.

PULEGGE DENTATE CON FORO INIZIALE TIPO L 050

7


**PER CINGHIE POSITIVE**
**TIPO L 075**
**PASSO 3/8" (9.52 mm)**
**Dentature diverse  
fornibili a richiesta**

**ESEC. 1F**

**ESEC. 4**

TIPO	CODICE	N. DENTI	ESEC.	Dp	De	Df FLANGIA	Dm MOZZO	F	L	d	N. FLANGIA	Peso kg.
10 L 075	42075010	10	1F	30,33	29,56	37	20	25,4	38	8	50	0,14
11 L 075	42075011	11	1F	33,35	32,59	37	22	25,4	38	8	50	0,18
12 L 075	42075012	12	1F	36,37	35,62	43	24	25,4	38	8	52	0,22
13 L 075	42075013	13	1F	39,41	38,65	44	28	25,4	38	8	83	0,26
14 L 075	42075014	14	1F	42,44	41,68	48	28	25,4	38	11	54	0,30
15 L 075	42075015	15	1F	45,48	44,72	51	34	25,4	38	11	55	0,37
16 L 075	42075016	16	1F	48,51	47,75	54	36	25,4	38	11	56	0,43
17 L 075	42075017	17	1F	51,54	50,78	57	36	25,4	38	11	57	0,46
18 L 075	42075018	18	1F	54,59	53,81	60	40	25,4	38	11	58	0,54
19 L 075	42075019	19	1F	57,61	56,84	64	40	25,4	38	11	59	0,58
20 L 075	42075020	20	1F	60,63	59,88	66,5	40	25,4	38	11	60	0,64
21 L 075	42075021	21	1F	63,68	62,91	70	45	25,4	38	11	61	0,71
22 L 075	42075022	22	1F	66,70	65,94	75	45	25,4	38	11	62	0,79
23 L 075	42075023	23	1F	69,73	68,97	79	55	25,4	38	11	63	0,94
24 L 075	42075024	24	1F	72,77	72,00	79	55	25,4	38	11	63	1,00
25 L 075	42075025	25	1F	75,80	75,04	82,5	58	25,4	38	11	64	1,10
26 L 075	42075026	26	1F	78,84	78,07	86	58	25,4	38	11	65	1,16
27 L 075	42075027	27	1F	81,86	81,10	86	58	25,4	38	11	65	1,22
28 L 075	42075028	28	1F	84,89	84,13	91	58	25,4	38	11	66	1,30
30 L 075	42075030	30	1F	90,96	90,20	97	70	25,4	38	11	68	1,47
32 L 075	42075032	32	1F	97,03	96,26	102	70	25,4	38	11	70	1,75
33 L 075	42075033	33	1F	100,05	99,29	106	70	25,4	38	11	71	1,85
34 L 075	42075034	34	1F	103,08	102,32	112	70	25,4	38	11	72	1,93
35 L 075	42075035	35	1F	106,12	105,35	112	70	25,4	38	11	72	2,03
36 L 075	42075036	36	1F	109,14	108,39	115	70	25,4	38	11	74	2,14
40 L 075	42075040	40	1F	121,29	120,51	128	70	25,4	38	11	78	2,56
42 L 075	42075042	42	1F	127,34	126,57	135	70	25,4	38	11	80	2,81
44 L 075	42075044	44	1F	133,4	132,64	142	70	25,4	38	11	81	3,02
45 L 075	42075045	45	1F	136,44	135,67	142	70	25,4	38	11	81	3,16
48 L 075	42075048	48	1F	145,54	144,77	150	70	25,4	38	11	85	3,57
50 L 075	42075050	50	4	151,6	150,83	-	70	25,4	38	14	-	2,10
52 L 075	42075052	52	4	157,66	156,9	-	70	25,4	38	14	-	2,13
56 L 075	42075056	56	4	169,79	169,02	-	70	25,4	38	14	-	2,27
57 L 075	42075057	57	4	172,82	172,06	-	70	25,4	38	14	-	2,28
60 L 075	42075060	60	4	181,92	181,15	-	75	25,4	45	14	-	2,70
72 L 075	42075072	72	4	218,29	217,53	-	75	25,4	45	14	-	3,19
84 L 075	42075084	84	4	254,69	253,92	-	75	25,4	45	14	-	3,64
96 L 075	42075096	96	4	291,06	290,3	-	75	25,4	45	14	-	4,04

**MATERIALE ACCIAIO  
C 45**
**MATERIALE GHISA**

 Disegni CAD disponibili sul sito  
[www.chiaravalli.com](http://www.chiaravalli.com)
**Quantità, disponibilità e prezzi  
con B2B Chiaravalli**



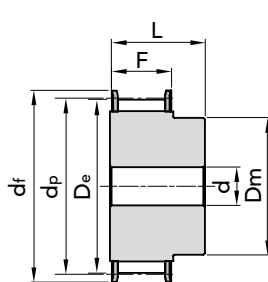

# PULEGGE DENTATE CON FORO INIZIALE

PER CINGHIE POSITIVE

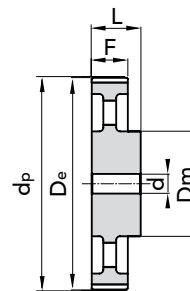
## TIPO L 100

PASSO 3/8" (9.52 mm)

Dentature diverse  
fornibili a richiesta



ESEC. 1F



ESEC. 4

TIPO	CODICE	N. DENTI	ESEC.	Dp	De	Df FLANGIA	Dm MOZZO	F	L	d	N. FLANGIA	Peso kg.
10 L 100	42100010	10	1F	30,33	29,56	37	20	31,8	45	8	50	0,17
11 L 100	42100011	11	1F	33,35	32,59	37	22	31,8	45	8	50	0,22
12 L 100	42100012	12	1F	36,37	35,62	43	24	31,8	45	8	52	0,26
13 L 100	42100013	13	1F	39,41	38,65	44	28	31,8	45	8	83	0,32
14 L 100	42100014	14	1F	42,44	41,68	48	28	31,8	45	11	54	0,35
15 L 100	42100015	15	1F	45,48	44,72	51	34	31,8	45	11	55	0,43
16 L 100	42100016	16	1F	48,51	47,75	54	36	31,8	45	11	56	0,50
17 L 100	42100017	17	1F	51,54	50,78	57	36	31,8	45	11	57	0,56
18 L 100	42100018	18	1F	54,59	53,81	60	40	31,8	45	11	58	0,64
19 L 100	42100019	19	1F	57,61	56,84	64	40	31,8	45	11	59	0,70
20 L 100	42100020	20	1F	60,63	59,88	66	40	31,8	45	11	60	0,77
21 L 100	42100021	21	1F	63,68	62,91	70	45	31,8	45	11	61	0,88
22 L 100	42100022	22	1F	66,70	65,94	75	45	31,8	45	11	62	0,95
23 L 100	42100023	23	1F	69,73	68,97	79	55	31,8	45	11	63	1,11
24 L 100	42100024	24	1F	72,77	72,00	79	55	31,8	45	11	63	1,18
25 L 100	42100025	25	1F	75,80	75,04	82	58	31,8	45	11	64	1,30
26 L 100	42100026	26	1F	78,84	78,07	86	58	31,8	45	11	65	1,40
27 L 100	42100027	27	1F	81,86	81,10	86	58	31,8	45	11	65	1,47
28 L 100	42100028	28	1F	84,89	84,13	91	58	31,8	45	11	66	1,58
30 L 100	42100030	30	1F	90,96	90,20	97	70	31,8	45	11	68	1,78
32 L 100	42100032	32	1F	97,03	96,26	102	70	31,8	45	11	70	2,11
33 L 100	42100033	33	1F	100,05	99,29	106	70	31,8	45	11	71	2,23
34 L 100	42100034	34	1F	103,08	102,32	112	70	31,8	45	11	72	2,39
35 L 100	42100035	35	1F	106,12	105,35	112	70	31,8	45	11	72	2,45
36 L 100	42100036	36	1F	109,14	108,39	115	70	31,8	45	11	74	2,59
40 L 100	42100040	40	1F	121,29	120,51	128	70	31,8	45	11	78	3,13
42 L 100	42100042	42	1F	127,34	126,57	135	70	31,8	45	11	80	3,43
44 L 100	42100044	44	1F	133,4	132,64	142	70	31,8	45	11	81	3,72
45 L 100	42100045	45	1F	136,44	135,67	142	70	31,8	45	11	81	3,89
48 L 100	42100048	48	1F	145,54	144,77	150	70	31,8	45	11	85	4,38
50 L 100	42100050	50	4	151,6	150,83	-	70	31,8	45	14	-	2,41
52 L 100	42100052	52	4	157,66	156,9	-	70	31,8	45	14	-	2,55
56 L 100	42100056	56	4	169,79	169,02	-	70	31,8	45	14	-	2,65
57 L 100	42100057	57	4	172,82	172,06	-	70	31,8	45	14	-	2,71
60 L 100	42100060	60	4	181,92	181,15	-	75	31,8	45	14	-	3,11
72 L 100	42100072	72	4	218,29	217,53	-	75	31,8	45	14	-	3,65
84 L 100	42100084	84	4	254,69	253,92	-	75	31,8	45	14	-	4,12
96 L 100	42100096	96	4	291,06	290,3	-	75	31,8	45	14	-	4,60

MATERIALE ACCIAIO  
C 45

MATERIALE GHISA

Disegni CAD disponibili sul sito  
[www.chiaravalli.com](http://www.chiaravalli.com)

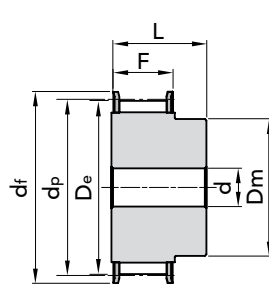
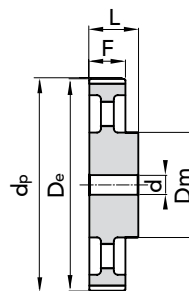
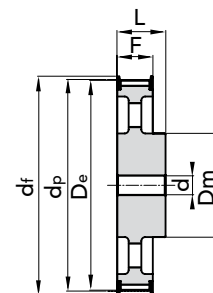
Quantità, disponibilità e prezzi  
con B2B Chiaravalli



Le immagini non sono identificative del prodotto.

PULEGGE DENTATE CON FORO INIZIALE TIPO L 100




**PER CINGHIE POSITIVE**
**TIPO H 075**
**PASSO 1/2" (12.7 mm)**
**Dentature diverse  
fornibili a richiesta**

**ESEC. 1F**

**ESEC. 4**

**ESEC. 5F**

TIPO	CODICE	N. DENTI	ESEC.	Dp	De	Df FLANGIA	Dm MOZZO	F	L	d	N. FLANGIA	Peso kg.
14 H 075	43075014	14	1F	56,59	55,22	64	40	26,4	40	-	59	0,58
15 H 075	43075015	15	1F	60,64	59,27	66,5	45	26,4	40	-	60	0,69
16 H 075	43075016	16	1F	64,67	63,31	70	45	26,4	40	-	61	0,77
17 H 075	43075017	17	1F	68,72	67,35	75	45	26,4	40	-	62	0,84
18 H 075	43075018	18	1F	72,77	71,39	79	55	26,4	40	-	63	1,01
19 H 075	43075019	19	1F	76,81	75,44	82,5	60	26,4	40	11	64	1,15
20 H 075	43075020	20	1F	80,85	79,48	87	62	26,4	40	11	76	1,27
21 H 075	43075021	21	1F	84,89	83,52	91	65	26,4	40	11	66	1,41
22 H 075	43075022	22	1F	88,93	87,56	94	68	26,4	40	11	67	1,55
23 H 075	43075023	23	1F	92,98	91,61	97	72	26,4	40	11	68	1,71
24 H 075	43075024	24	1F	97,03	95,65	102	72	26,4	40	11	70	1,83
25 H 075	43075025	25	1F	101,06	99,69	106	72	26,4	40	11	71	1,96
26 H 075	43075026	26	1F	105,11	103,73	112	80	26,4	40	11	72	2,19
27 H 075	43075027	27	1F	109,15	107,78	115	80	26,4	40	11	74	2,32
28 H 075	43075028	28	1F	113,18	111,82	120	80	26,4	40	11	75	2,47
30 H 075	43075030	30	1F	121,29	119,90	128	80	26,4	40	11	78	2,76
32 H 075	43075032	32	1F	129,30	127,99	135	80	26,4	40	11	80	3,08
33 H 075	43075033	33	1F	133,40	132,03	142	80	26,4	40	11	81	3,25
34 H 075	43075034	34	1F	137,45	136,07	142	80	26,4	40	11	81	3,42
35 H 075	43075035	35	1F	141,49	140,12	150	80	26,4	40	11	85	3,61
36 H 075	43075036	36	1F	145,54	144,16	150	80	26,4	40	11	85	3,79
38 H 075	43075038	38	1F	153,62	152,24	158	80	26,4	40	11	86	4,16
40 H 075	43075040	40	1F	161,70	160,33	168	80	26,4	40	11	90	4,58
42 H 075	43075042	42	1F	169,79	168,41	184	80	26,4	40	11	94	5,05
44 H 075	43075044	44	5F	177,80	176,50	184	80	26,4	40	14	95	2,57
48 H 075	43075048	48	5F	194,03	192,67	200	90	26,4	45	14	100	3,56
50 H 075	43075050	50	4	202,13	200,75	-	90	26,4	45	14	-	3,74

**MATERIALE ACCIAIO  
C 45**
**MATERIALE GHISA**

 Disegni CAD disponibili sul sito  
[www.chiaravalli.com](http://www.chiaravalli.com)
**Quantità, disponibilità e prezzi  
con B2B Chiaravalli**



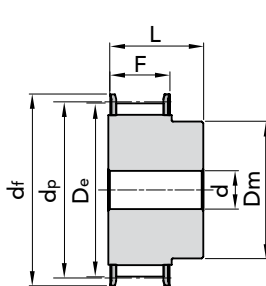

# PULEGGE DENTATE CON FORO INIZIALE

PER CINGHIE POSITIVE

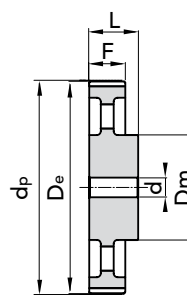
## TIPO H 100

PASSO 1/2" (12.7 mm)

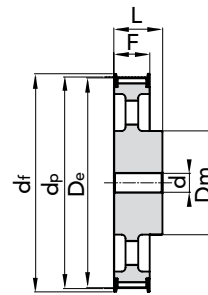
Dentature diverse  
fornibili a richiesta



ESEC. 1F



ESEC. 4



ESEC. 5F

TIPO	CODICE	N. DENTI	ESEC.	Dp	De	Df FLANGIA	Dm MOZZO	F	L	d	N. FLANGIA	Peso kg.
14 H 100	43100014	14	1F	56,59	55,22	64	40	31,8	45	-	59	0,65
15 H 100	43100015	15	1F	60,64	59,27	66,5	45	31,8	45	-	60	0,77
16 H 100	43100016	16	1F	64,67	63,31	70	45	31,8	45	-	61	0,87
17 H 100	43100017	17	1F	68,72	67,35	75	45	31,8	45	-	62	0,97
18 H 100	43100018	18	1F	72,77	71,39	79	55	31,8	45	-	63	1,16
19 H 100	43100019	19	1F	76,81	75,44	82,5	60	31,8	45	14	64	1,30
20 H 100	43100020	20	1F	80,85	79,48	87	62	31,8	45	14	76	1,44
21 H 100	43100021	21	1F	84,89	83,52	91	65	31,8	45	14	66	1,60
22 H 100	43100022	22	1F	88,93	87,56	94	68	31,8	45	14	67	1,76
23 H 100	43100023	23	1F	92,98	91,61	97	72	31,8	45	14	68	1,94
24 H 100	43100024	24	1F	97,03	95,65	102	72	31,8	45	14	70	2,09
25 H 100	43100025	25	1F	101,06	99,69	106	72	31,8	45	14	71	2,24
26 H 100	43100026	26	1F	105,11	103,73	112	80	31,8	45	14	72	2,49
27 H 100	43100027	27	1F	109,15	107,78	115	80	31,8	45	14	74	2,66
28 H 100	43100028	28	1F	113,18	111,82	120	80	31,8	45	14	75	2,83
29 H 100	43100029	29	1F	117,23	115,86	120	80	31,8	45	14	75	3,01
30 H 100	43100030	30	1F	121,29	119,90	128	80	31,8	45	14	78	3,19
32 H 100	43100032	32	1F	129,30	127,99	135	80	31,8	45	14	80	3,57
33 H 100	43100033	33	1F	133,40	132,03	142	80	31,8	45	14	81	3,79
34 H 100	43100034	34	1F	137,45	136,07	142	80	31,8	45	14	81	3,99
35 H 100	43100035	35	1F	141,49	140,12	150	80	31,8	45	14	85	4,20
36 H 100	43100036	36	1F	145,54	144,16	150	80	31,8	45	14	85	4,44
38 H 100	43100038	38	1F	153,62	152,24	158	80	31,8	45	14	86	4,90
40 H 100	43100040	40	1F	161,70	160,33	168	80	31,8	45	14	90	5,39
42 H 100	43100042	42	1F	169,79	168,41	180	80	31,8	45	14	94	5,89
44 H 100	43100044	44	5F	177,88	176,50	184	80	31,8	50	14	95	3,37
45 H 100	43100045	45	5F	181,91	180,54	192	80	31,8	50	14	96	3,57
48 H 100	43100048	48	5F	194,03	192,67	200	90	31,8	50	14	100	4,10
50 H 100	43100050	50	4	202,13	200,75	-	90	31,8	50	19	-	4,24
52 H 100	43100052	52	4	210,21	208,84	-	90	31,8	50	19	-	4,32
58 H 100	43100058	58	4	234,47	233,09	-	90	31,8	50	19	-	4,61
60 H 100	43100060	60	4	242,55	241,18	-	120	31,8	50	19	-	5,30
70 H 100	43100070	70	4	282,98	281,61	-	120	31,8	55	19	-	6,13
72 H 100	43100072	72	4	291,06	289,69	-	120	31,8	55	19	-	7,47
84 H 100	43100084	84	4	339,57	338,2	-	120	31,8	55	19	-	8,52
96 H 100	43100096	96	4	388,09	386,71	-	120	31,8	60	19	-	10,25
120 H 100	43100120	120	4	485,12	483,73	-	120	31,8	60	19	-	13,09

MATERIALE **ACCIAIO**  
**C 45**

MATERIALE **GHISA**

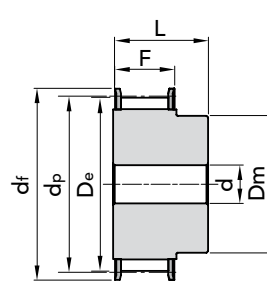
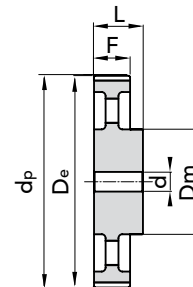
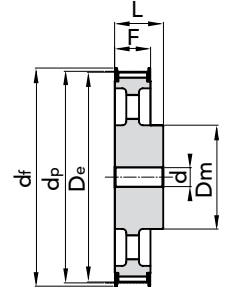
Disegni CAD disponibili sul sito  
[www.chiaravalli.com](http://www.chiaravalli.com)

Quantità, disponibilità e prezzi  
con B2B Chiaravalli



Le immagini non sono identificative del prodotto.

PULEGGE DENTATE CON FORO INIZIALE TIPO H 100


**PER CINGHIE POSITIVE**
**TIPO H 150**
**PASSO 1/2" (12.7 mm)**
**Dentature diverse  
fornibili a richiesta**

**ESEC. 1F**

**ESEC. 4**

**ESEC. 5F**

TIPO	CODICE	N. DENTI	ESEC.	Dp	De	Df FLANGIA	Dm MOZZO	F	L	d	N. FLANGIA	Peso kg.
14 H 150	43150014	14	1F	56,59	55,22	64	42	46,0	58	-	59	0,81
15 H 150	43150015	15	1F	60,64	59,27	66,5	45	46,0	58	-	60	0,97
16 H 150	43150016	16	1F	64,67	63,31	70	45	46,0	58	-	61	1,11
17 H 150	43150017	17	1F	68,72	67,35	75	45	46,0	58	-	62	1,25
18 H 150	43150018	18	1F	72,77	71,39	79	55	46,0	58	-	63	1,48
19 H 150	43150019	19	1F	76,81	75,44	82,5	60	46,0	58	-	64	1,68
20 H 150	43150020	20	1F	80,85	79,48	87	62	46,0	58	-	76	1,88
21 H 150	43150021	21	1F	84,89	83,52	91	65	46,0	58	-	66	2,08
22 H 150	43150022	22	1F	88,93	87,56	94	68	46,0	58	-	67	2,30
23 H 150	43150023	23	1F	92,98	91,61	97	72	46,0	58	-	68	2,54
24 H 150	43150024	24	1F	97,03	95,65	102	72	46,0	58	-	70	2,75
25 H 150	43150025	25	1F	101,06	99,69	106	72	46,0	58	-	71	2,97
26 H 150	43150026	26	1F	105,11	103,73	112	80	46,0	58	-	72	3,29
27 H 150	43150027	27	1F	109,15	107,78	115	80	46,0	58	-	74	3,52
28 H 150	43150028	28	1F	113,18	111,82	120	80	46,0	58	-	75	3,78
29 H 150	43150029	29	1F	117,23	115,86	120	80	46,0	58	-	75	4,03
30 H 150	43150030	30	1F	121,29	119,90	128	80	46,0	58	-	78	4,29
32 H 150	43150032	32	1F	129,30	127,99	135	80	46,0	58	-	80	4,86
33 H 150	43150033	33	1F	133,40	132,03	142	80	46,0	58	-	81	5,15
34 H 150	43150034	34	1F	137,45	136,07	142	80	46,0	58	-	81	5,46
35 H 150	43150035	35	1F	141,49	140,12	150	80	46,0	58	-	85	5,78
36 H 150	43150036	36	1F	145,54	144,16	150	80	46,0	58	-	85	6,09
38 H 150	43150038	38	1F	153,62	152,24	158	80	46,0	58	-	86	6,74
40 H 150	43150040	40	1F	161,70	160,33	168	80	46,0	58	-	90	7,46
42 H 150	43150042	42	1F	169,79	168,41	180	80	46,0	58	-	94	7,98
44 H 150	43150044	44	5F	177,88	176,50	184	80	46,0	58	19	95	4,29
45 H 150	43150045	45	5F	181,91	180,54	192	80	46,0	58	19	96	4,44
48 H 150	43150048	48	5F	194,03	192,67	200	90	46,0	65	19	100	5,41
50 H 150	43150050	50	4	202,13	200,75	-	90	46,0	65	19	-	5,59
52 H 150	43150052	52	4	210,21	208,84	-	90	46,0	65	19	-	5,79
58 H 150	43150058	58	4	234,47	233,09	-	90	46,0	65	19	-	6,15
60 H 150	43150060	60	4	242,55	241,18	-	120	46,0	65	19	-	7,08
70 H 150	43150070	70	4	282,98	281,61	-	120	46,0	65	24	-	7,77
72 H 150	43150072	72	4	291,06	289,69	-	120	46,0	65	24	-	9,70
84 H 150	43150084	84	4	339,57	338,2	-	120	46,0	65	24	-	10,99
96 H 150	43150096	96	4	388,09	386,71	-	120	46,0	65	24	-	12,24
120 H 150	43150120	120	4	485,12	483,73	-	120	46,0	65	24	-	16,17

**MATERIALE ACCIAIO  
C 45**
**MATERIALE GHISA**

 Disegni CAD disponibili sul sito  
[www.chiaravalli.com](http://www.chiaravalli.com)
**Quantità, disponibilità e prezzi  
con B2B Chiaravalli**

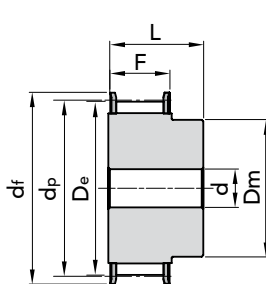



## PER CINGHIE POSITIVE

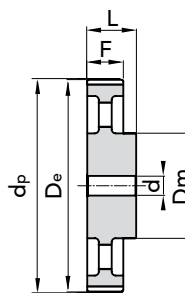
### TIPO H 200

PASSO 1/2" (12.7 mm)

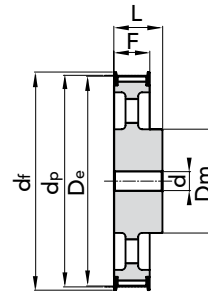
Dentature diverse  
fornibili a richiesta



ESEC. 1F



ESEC. 4



ESEC. 5F

TIPO	CODICE	N. DENTI	ESEC.	Dp	De	Df FLANGIA	Dm MOZZO	F	L	d	N. FLANGIA	Peso kg.
14 H 200	43200014	14	1F	56,59	55,22	64	42	58,7	70	-	59	1,10
15 H 200	43200015	15	1F	60,64	59,27	66,5	45	58,7	70	-	60	1,33
16 H 200	43200016	16	1F	64,67	63,31	70	45	58,7	70	-	61	1,54
17 H 200	43200017	17	1F	68,72	67,35	75	45	58,7	70	-	62	1,69
18 H 200	43200018	18	1F	72,77	71,39	79	55	58,7	70	-	63	1,95
19 H 200	43200019	19	1F	76,81	75,44	82,5	60	58,7	70	-	64	2,20
20 H 200	43200020	20	1F	80,85	79,48	87	62	58,7	70	-	76	2,44
21 H 200	43200021	21	1F	84,89	83,52	91	65	58,7	70	-	66	2,70
22 H 200	43200022	22	1F	88,93	87,56	94	68	58,7	70	-	67	2,97
23 H 200	43200023	23	1F	92,98	91,61	97	72	58,7	70	-	68	3,25
24 H 200	43200024	24	1F	97,03	95,65	102	72	58,7	70	-	70	3,56
25 H 200	43200025	25	1F	101,06	99,69	106	72	58,7	70	-	71	3,81
26 H 200	43200026	26	1F	105,11	103,73	112	80	58,7	70	-	72	4,18
27 H 200	43200027	27	1F	109,15	107,78	115	80	58,7	70	-	74	4,49
28 H 200	43200028	28	1F	113,18	111,82	120	80	58,7	70	-	75	4,81
29 H 200	43200029	29	1F	117,23	115,86	120	80	58,7	70	-	75	5,14
30 H 200	43200030	30	1F	121,29	119,90	128	80	58,7	70	-	78	5,47
32 H 200	43200032	32	1F	129,30	127,99	135	80	58,7	70	-	80	6,17
33 H 200	43200033	33	1F	133,40	132,03	142	80	58,7	70	-	81	6,56
34 H 200	43200034	34	1F	137,45	136,07	142	80	58,7	70	-	81	6,94
35 H 200	43200035	35	1F	141,49	140,12	150	80	58,7	70	-	85	7,34
36 H 200	43200036	36	1F	145,54	144,16	150	80	58,7	70	-	85	7,75
38 H 200	43200038	38	1F	153,62	152,24	158	80	58,7	70	-	86	8,62
40 H 200	43200040	40	1F	161,70	160,33	168	80	58,7	70	-	90	9,50
42 H 200	43200042	42	1F	169,79	168,41	180	80	58,7	70	-	94	10,61
44 H 200	43200044	44	5F	177,88	176,50	184	80	58,7	70	19	95	5,14
45 H 200	43200045	45	5F	181,91	180,54	192	80	58,7	70	19	96	5,38
48 H 200	43200048	48	5F	194,03	192,67	200	90	58,7	75	24	100	6,29
50 H 200	43200050	50	4	202,13	200,75	-	90	58,7	75	24	-	6,68
52 H 200	43200052	52	4	210,21	208,84	-	90	58,7	75	24	-	6,81
58 H 200	43200058	58	4	234,47	233,09	-	90	58,7	75	24	-	7,26
60 H 200	43200060	60	4	242,55	241,18	-	120	58,7	75	24	-	8,25
70 H 200	43200070	70	4	282,98	281,61	-	120	58,7	75	28	-	9,20
72 H 200	43200072	72	4	291,06	289,69	-	120	58,7	75	28	-	11,09
84 H 200	43200084	84	4	339,57	338,2	-	120	58,7	75	28	-	12,63
96 H 200	43200096	96	4	388,09	386,71	-	120	58,7	75	28	-	14,51
120 H 200	43200120	120	4	485,12	483,73	-	120	58,7	75	28	-	19,15

MATERIALE **ACCIAIO**  
**C 45**

MATERIALE **GHISA**

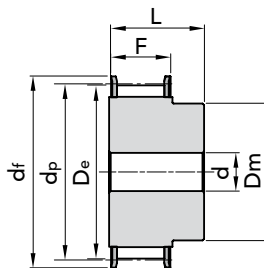
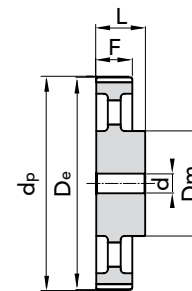
Disegni CAD disponibili sul sito  
[www.chiaravalli.com](http://www.chiaravalli.com)

Quantità, disponibilità e prezzi  
con B2B Chiaravalli



Le immagini non sono identificative del prodotto.

PULEGGE DENTATE CON FORO INIZIALE TIPO H 200


**PER CINGHIE POSITIVE**
**TIPO H 300**
**PASSO 1/2" (12.7 mm)**
**Dentature diverse  
fornibili a richiesta**

**ESEC. 1F**

**ESEC. 4**

TIPO	CODICE	N. DENTI	ESEC.	Dp	De	Df FLANGIA	Dm MOZZO	F	L	d	N. FLANGIA	Peso kg.
14 H 300	43300014	14	1F	56,59	55,22	64	42	85,7	100	-	59	1,64
15 H 300	43300015	15	1F	60,64	59,27	66,5	45	85,7	100	-	60	1,91
16 H 300	43300016	16	1F	64,67	63,31	70	45	85,7	100	-	61	2,16
17 H 300	43300017	17	1F	68,72	67,35	75	45	85,7	100	-	62	2,43
18 H 300	43300018	18	1F	72,77	71,39	79	55	85,7	100	-	63	2,80
19 H 300	43300019	19	1F	76,81	75,44	82,5	60	85,7	100	-	64	3,16
20 H 300	43300020	20	1F	80,85	79,48	87	62	85,7	100	-	76	3,50
21 H 300	43300021	21	1F	84,89	83,52	91	65	85,7	100	-	66	3,87
22 H 300	43300022	22	1F	88,93	87,56	94	68	85,7	100	-	67	4,26
23 H 300	43300023	23	1F	92,98	91,61	97	72	85,7	100	-	68	4,68
24 H 300	43300024	24	1F	97,03	95,65	102	72	85,7	100	-	70	5,08
25 H 300	43300025	25	1F	101,06	99,69	106	72	85,7	100	-	71	5,45
26 H 300	43300026	26	1F	105,11	103,73	112	80	85,7	100	-	72	6,01
27 H 300	43300027	27	1F	109,15	107,78	115	80	85,7	100	-	74	6,45
28 H 300	43300028	28	1F	113,18	111,82	120	80	85,7	100	-	75	6,91
30 H 300	43300030	30	1F	121,29	119,90	128	80	85,7	100	-	78	7,90
32 H 300	43300032	32	1F	129,30	127,99	135	80	85,7	100	-	80	8,92
33 H 300	43300033	33	1F	133,40	132,03	142	80	85,7	100	-	81	9,46
34 H 300	43300034	34	1F	137,45	136,07	142	80	85,7	100	-	81	10,04
35 H 300	43300035	35	1F	141,49	140,12	150	80	85,7	100	-	85	10,62
36 H 300	43300036	36	1F	145,54	144,16	150	80	85,7	100	-	85	11,24
38 H 300	43300038	38	1F	153,62	152,24	158	80	85,7	100	-	86	12,44
40 H 300	43300040	40	1F	161,70	160,33	168	80	85,7	100	-	90	13,80
42 H 300	43300042	42	1F	169,79	168,41	180	80	85,7	100	-	94	15,27
44 H 300	43300044	44	4	177,88	176,50	-	80	85,7	100	24	-	7,22
48 H 300	43300048	48	4	194,03	192,67	-	90	85,7	100	24	-	8,60
50 H 300	43300050	50	4	202,13	200,75	-	90	85,7	100	24	-	8,99
58 H 300	43300058	58	4	234,47	233,09	-	90	85,7	100	24	-	10,04
70 H 300	43300060	70	4	242,55	241,18	-	120	85,7	100	24	-	11,18
72 H 300	43300072	72	4	291,06	289,69	-	120	85,7	100	28	-	15,07
84 H 300	43300084	84	4	339,57	338,2	-	120	85,7	100	28	-	16,97
96 H 300	43300096	96	4	388,09	386,71	-	120	85,7	100	28	-	19,86
120 H 300	43300120	120	4	485,12	483,73	-	120	85,7	100	28	-	25,91

**MATERIALE ACCIAIO  
C 45**
**MATERIALE GHISA**

 Disegni CAD disponibili sul sito  
[www.chiaravalli.com](http://www.chiaravalli.com)
**Quantità, disponibilità e prezzi  
con B2B Chiaravalli**



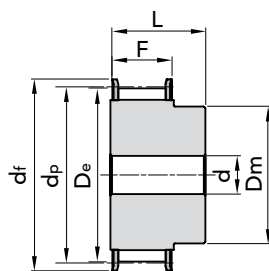



## PER CINGHIE POSITIVE

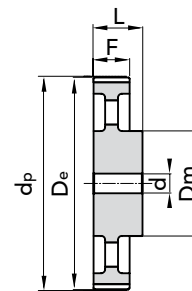
### TIPO **XH 200**

PASSO 7/8" (22.22 mm)

Dentature diverse  
fornibili a richiesta



ESEC. 1F



ESEC. 4

TIPO	CODICE	N. DENTI	ESEC.	Dp	De	Df FLANGIA	Dm MOZZO	F	L	d	N. FLANGIA	Peso kg.
18 XH 200	44200018	18	1F	127,34	124,55	140	100	65,0	80	24	155	6,00
19 XH 200	44200019	19	1F	134,41	131,62	146	100	65,0	80	24	156	6,60
20 XH 200	44200020	20	1F	141,49	138,69	155	100	65,0	80	24	157	7,30
21 XH 200	44200021	21	1F	148,56	145,77	160	110	65,0	80	24	158	8,73
22 XH 200	44200022	22	1F	155,64	152,84	170	110	65,0	80	24	159	9,55
24 XH 200	44200024	24	1F	169,79	166,99	184	120	65,0	80	24	161	11,47
25 XH 200	44200025	25	1F	176,86	174,07	188	120	65,0	80	24	162	12,46
26 XH 200	44200026	26	1F	183,93	181,14	198	120	65,0	80	24	163	13,47
27 XH 200	44200027	27	1F	191,01	188,22	205	120	65,0	80	24	164	14,42
28 XH 200	44200028	28	1F	198,09	195,29	212	120	65,0	80	24	165	15,44
30 XH 200	44200030	30	1F	212,23	209,44	227	120	65,0	80	24	167	17,69
32 XH 200	44200032	32	1F	226,38	223,59	240	120	65,0	80	24	169	19,95
34 XH 200	44200034	34	1F	240,53	237,74	256	120	65,0	80	24	170	22,75
38 XH 200	a richiesta	38	4	268,83	266,03	-	150	65,0	80	28	-	-
40 XH 200	a richiesta	40	4	282,98	280,18	-	150	65,0	100	28	-	-
48 XH 200	a richiesta	48	4	339,57	336,78	-	150	65,0	100	28	-	-
60 XH 200	a richiesta	60	4	424,47	421,67	-	150	65,0	100	28	-	-
72 XH 200	a richiesta	72	4	509,36	506,56	-	160	65,0	100	28	-	-
84 XH 200	a richiesta	84	4	594,25	591,46	-	160	65,0	100	28	-	-
96 XH 200	a richiesta	96	4	679,15	676,35	-	160	65,0	100	28	-	-
120 XH 200	a richiesta	120	4	848,93	846,14	-	160	65,0	100	28	-	-

MATERIALE **ACCIAIO**  
**C 45**

MATERIALE **GHISA**

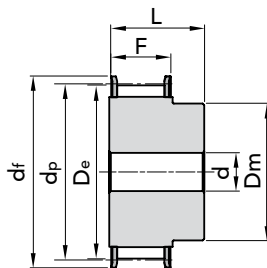
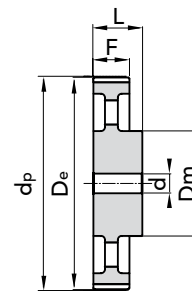
Disegni CAD disponibili sul sito  
[www.chiaravalli.com](http://www.chiaravalli.com)

Quantità, disponibilità e prezzi  
con B2B Chiaravalli



Le immagini non sono identificative del prodotto.

PULEGGE DENTATE CON FORO INIZIALE TIPO XH 200


**PER CINGHIE POSITIVE**
**TIPO XH 300**
**PASSO 7/8" (22.22 mm)**
**Dentature diverse  
fornibili a richiesta**

**ESEC. 1F**

**ESEC. 4**

TIPO	CODICE	N. DENTI	ESEC.	Dp	De	Df FLANGIA	Dm MOZZO	F	L	d	N. FLANGIA	Peso kg.
18 XH 300	44300018	18	1F	127,34	124,55	140	100	90,5	110	28	155	8,90
19 XH 300	44300019	19	1F	134,41	131,62	146	100	90,5	110	28	156	9,20
20 XH 300	44300020	20	1F	141,49	138,69	155	100	90,5	110	28	157	10,61
21 XH 300	44300021	21	1F	148,56	145,77	160	110	90,5	110	28	158	11,87
22 XH 300	44300022	22	1F	155,64	152,84	170	110	90,5	110	28	159	13,08
24 XH 300	44300024	24	1F	169,79	166,99	184	120	90,5	110	28	161	15,77
25 XH 300	44300025	25	1F	176,86	174,07	188	120	90,5	110	28	162	17,13
26 XH 300	44300026	26	1F	183,93	181,14	198	120	90,5	110	28	163	18,55
27 XH 300	44300027	27	1F	191,01	188,22	205	120	90,5	110	28	164	19,90
28 XH 300	44300028	28	1F	198,09	195,29	212	150	90,5	110	28	165	22,27
30 XH 300	44300030	30	1F	212,23	209,44	227	150	90,5	110	28	167	25,39
32 XH 300	44300032	32	1F	226,38	223,59	240	150	90,5	110	28	169	28,73
34 XH 300	44300034	34	1F	240,53	237,74	256	150	90,5	110	28	170	34,20
38 XH 300	a richiesta	38	4	268,83	266,03	-	150	90,5	120	32	-	-
40 XH 300	a richiesta	40	4	282,98	280,18	-	150	90,5	120	32	-	-
48 XH 300	a richiesta	48	4	339,57	336,78	-	175	90,5	120	32	-	-
60 XH 300	a richiesta	60	4	424,47	421,67	-	175	90,5	120	32	-	-
72 XH 300	a richiesta	72	4	509,36	506,56	-	175	90,5	120	32	-	-
84 XH 300	a richiesta	84	4	594,25	591,46	-	175	90,5	120	32	-	-
96 XH 300	a richiesta	96	4	679,15	676,35	-	175	90,5	120	32	-	-
120 XH 300	a richiesta	120	4	848,93	846,14	-	175	90,5	120	32	-	-

**MATERIALE ACCIAIO  
C 45**
**MATERIALE GHISA**

 Disegni CAD disponibili sul sito  
[www.chiaravalli.com](http://www.chiaravalli.com)
**Quantità, disponibilità e prezzi  
con B2B Chiaravalli**



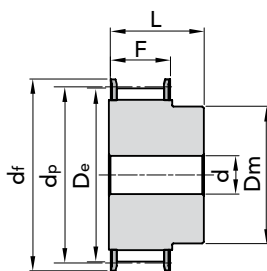

# PULEGGE DENTATE CON FORO INIZIALE

PER CINGHIE POSITIVE

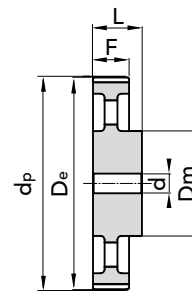
TIPO **XH 400**

PASSO 7/8" (22.22 mm)

Dentature diverse  
fornibili a richiesta



ESEC. 1F



ESEC. 4

TIPO	CODICE	N. DENTI	ESEC.	Dp	De	Df FLANGIA	Dm MOZZO	F	L	d	N. FLANGIA	Peso kg.
18 XH 400	44400018	18	1F	127,34	124,55	140	100	118,0	132	32	155	9,60
19 XH 400	44400019	19	1F	134,41	131,62	146	100	118,0	132	32	156	10,80
20 XH 400	44400020	20	1F	141,49	138,69	155	100	118,0	132	32	157	12,87
21 XH 400	44400021	21	1F	148,56	145,77	160	110	118,0	132	32	158	14,42
22 XH 400	44400022	22	1F	155,64	152,84	170	110	118,0	132	32	159	15,44
24 XH 400	44400024	24	1F	169,79	166,99	184	120	118,0	132	32	161	19,22
25 XH 400	44400025	25	1F	176,86	174,07	188	120	118,0	132	32	162	21,05
26 XH 400	44400026	26	1F	183,93	181,14	198	120	118,0	132	32	163	22,80
27 XH 400	44400027	27	1F	191,01	188,22	205	120	118,0	132	32	164	24,66
28 XH 400	44400028	28	1F	198,09	195,29	212	150	118,0	132	32	165	27,23
30 XH 400	44400030	30	1F	212,23	209,44	227	150	118,0	132	32	167	31,30
32 XH 400	44400032	32	1F	226,38	223,59	240	150	118,0	132	32	169	35,20
34 XH 400	44400034	34	1F	240,53	237,74	256	150	118,0	132	32	170	40,00
38 XH 400	a richiesta	38	4	268,83	266,03	-	150	118,0	132	32	-	-
40 XH 400	a richiesta	40	4	282,98	280,18	-	150	118,0	132	32	-	-
48 XH 400	a richiesta	48	4	339,57	336,78	-	175	118,0	132	32	-	-
60 XH 400	a richiesta	60	4	424,47	421,67	-	175	118,0	132	32	-	-
72 XH 400	a richiesta	72	4	509,36	506,56	-	175	118,0	132	32	-	-
84 XH 400	a richiesta	84	4	594,25	591,46	-	175	118,0	132	32	-	-
96 XH 400	a richiesta	96	4	679,15	676,35	-	175	118,0	132	32	-	-
120 XH 400	a richiesta	120	4	848,93	846,14	-	175	118,0	132	32	-	-

PULEGGE DENTATE CON FORO INIZIALE TIPO XH 400

MATERIALE **ACCIAIO**  
**C 45**

MATERIALE **GHISA**

Disegni CAD disponibili sul sito  
[www.chiaravalli.com](http://www.chiaravalli.com)

Quantità, disponibilità e prezzi  
con B2B Chiaravalli



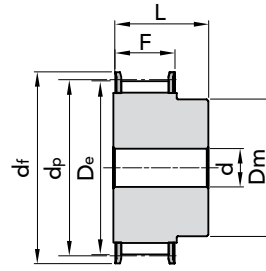

**PULEGGE DENTATE CON FORO INIZIALE TIPO XXH 200 - XXH 300**

## PER CINGHIE POSITIVE

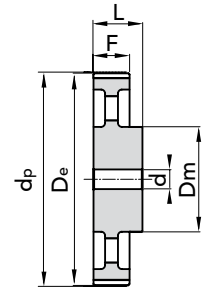
TIPO **XXH 200**

PASSO 1" 1/4 (31.75 mm)

Dentature diverse  
fornibili a richiesta



ESEC. 1F



ESEC. 4

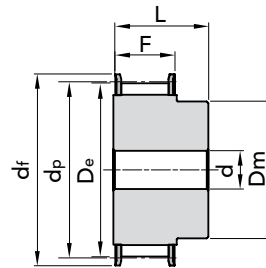
TIPO	CODICE	N. DENTI	ESEC.	Dp	De	Df FLANGIA	Dm MOZZO	F	L	d	N. FLANGIA	Peso kg.
18 XXH 200	44600018	18	1F	181,91	178,87	198	140	64,2	100	28	163	22,92
20 XXH 200	44600020	20	1F	202,13	199,08	212	150	64,2	100	28	165	28,00
22 XXH 200	44600022	22	1F	222,34	219,29	240	150	64,2	100	28	169	33,60
24 XXH 200	44600024	24	1F	242,55	239,50	267	150	64,2	100	28	173	39,70
26 XXH 200	44600026	26	1F	262,76	259,79	290	150	64,2	100	28	178	45,85
30 XXH 200	a richiesta	30	4	303,19	300,14	-	150	64,2	100	28	-	-
40 XXH 200	a richiesta	40	4	404,25	401,21	-	150	64,2	100	28	-	-
48 XXH 200	a richiesta	48	4	485,1	482,06	-	175	64,2	120	32	-	-
60 XXH 200	a richiesta	60	4	606,38	603,33	-	175	64,2	120	32	-	-
72 XXH 200	a richiesta	72	4	727,66	724,61	-	175	64,2	120	38	-	-
90 XXH 200	a richiesta	90	4	909,57	906,52	-	175	64,2	120	38	-	-

## PER CINGHIE POSITIVE

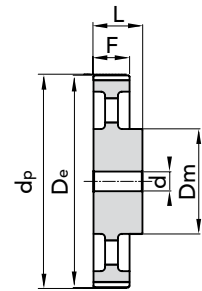
TIPO **XXH 300**

PASSO 1" 1/4 (31.75 mm)

Dentature diverse  
fornibili a richiesta



ESEC. 1F



ESEC. 4

TIPO	CODICE	N. DENTI	ESEC.	Dp	De	Df FLANGIA	Dm MOZZO	F	L	d	N. FLANGIA	Peso kg.
18 XXH 300	44700018	18	1F	181,91	178,87	198	140	91,4	110	28	163	25,15
20 XXH 300	44700020	20	1F	202,13	199,08	212	150	91,4	110	28	165	30,72
22 XXH 300	44700022	22	1F	222,34	219,29	240	150	91,4	110	28	169	36,86
24 XXH 300	44700024	24	1F	242,55	239,50	267	150	91,4	110	28	173	43,55
26 XXH 300	44700026	26	1F	262,76	259,79	290	150	91,4	110	28	178	50,80
30 XXH 300	a richiesta	30	4	303,19	300,14	-	150	91,4	110	28	-	-
40 XXH 300	a richiesta	40	4	404,25	401,21	-	150	91,4	110	28	-	-
48 XXH 300	a richiesta	48	4	485,1	482,06	-	175	91,4	120	32	-	-
60 XXH 300	a richiesta	60	4	606,38	603,33	-	175	91,4	120	32	-	-
72 XXH 300	a richiesta	72	4	727,66	724,61	-	175	91,4	120	38	-	-
90 XXH 300	a richiesta	90	4	909,57	906,52	-	175	91,4	120	38	-	-

MATERIALE **ACCIAIO**  
**C 45**

MATERIALE **GHISA**

Disegni CAD disponibili sul sito  
[www.chiaravalli.com](http://www.chiaravalli.com)

Quantità, disponibilità e prezzi  
con B2B Chiaravalli



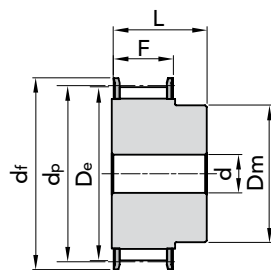


## PER CINGHIE POSITIVE

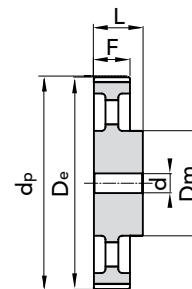
TIPO **XXH 400**

PASSO 1" 1/4 (31.75 mm)

Dentature diverse  
fornibili a richiesta



ESEC. 1F



ESEC. 4

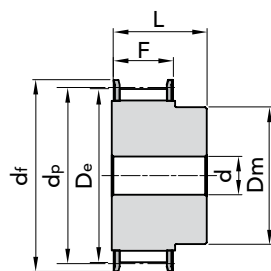
TIPO	CODICE	N. DENTI	ESEC.	Dp	De	Df FLANGIA	Dm MOZZO	F	L	d	N. FLANGIA	Peso kg.
18 XXH 400	44800018	18	1F	181,91	178,87	198	140	118,2	140	32	163	31,83
20 XXH 400	44800020	20	1F	202,13	199,08	212	150	118,2	140	32	165	38,88
22 XXH 400	44800022	22	1F	222,34	219,29	240	150	118,2	140	32	169	46,60
24 XXH 400	44800024	24	1F	242,55	239,50	267	150	118,2	140	32	173	55,10
26 XXH 400	44800026	26	1F	262,76	259,79	290	150	118,2	140	32	178	64,25
30 XXH 400	a richiesta	30	4	303,19	300,14	-	185	118,2	140	32	-	-
40 XXH 400	a richiesta	40	4	404,25	401,21	-	185	118,2	140	32	-	-
48 XXH 400	a richiesta	48	4	485,1	482,06	-	185	118,2	140	38	-	-
60 XXH 400	a richiesta	60	4	606,38	603,33	-	185	118,2	140	38	-	-
72 XXH 400	a richiesta	72	4	727,66	724,61	-	220	118,2	140	38	-	-
90 XXH 400	a richiesta	90	4	909,57	906,52	-	220	118,2	140	38	-	-

## PER CINGHIE POSITIVE

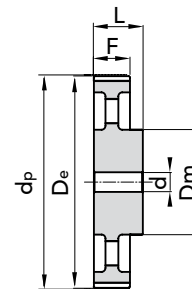
TIPO **XXH 500**

PASSO 1" 1/4 (31.75 mm)

Dentature diverse  
fornibili a richiesta



ESEC. 1F



ESEC. 4

TIPO	CODICE	N. DENTI	ESEC.	Dp	De	Df FLANGIA	Dm MOZZO	F	L	d	N. FLANGIA	Peso kg.
18 XXH 500	44900018	18	1F	181,91	178,87	198	140	145,3	168	32	163	38,00
20 XXH 500	44900020	20	1F	202,13	199,08	212	150	145,3	168	32	165	44,05
22 XXH 500	44900022	22	1F	222,34	219,29	240	150	145,3	168	32	169	55,80
24 XXH 500	44900024	24	1F	242,55	239,50	267	150	145,3	168	32	173	62,90
26 XXH 500	44900026	26	1F	262,76	259,79	290	150	145,3	168	32	178	73,60
30 XXH 500	a richiesta	30	4	303,19	300,14	-	215	145,3	168	32	-	-
40 XXH 500	a richiesta	40	4	404,25	401,21	-	215	145,3	168	32	-	-
48 XXH 500	a richiesta	48	4	485,1	482,06	-	215	145,3	168	38	-	-
60 XXH 500	a richiesta	60	4	606,38	603,33	-	240	145,3	168	38	-	-
72 XXH 500	a richiesta	72	4	727,66	724,61	-	240	145,3	168	38	-	-
90 XXH 500	a richiesta	90	4	909,57	906,52	-	240	145,3	168	38	-	-

MATERIALE **ACCIAIO**  
**C 45**

MATERIALE **GHISA**

Disegni CAD disponibili sul sito  
[www.chiaravalli.com](http://www.chiaravalli.com)

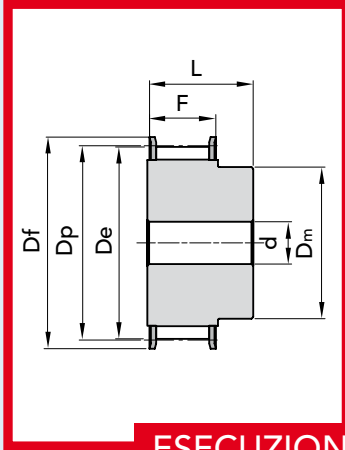
Quantità, disponibilità e prezzi  
con B2B Chiaravalli



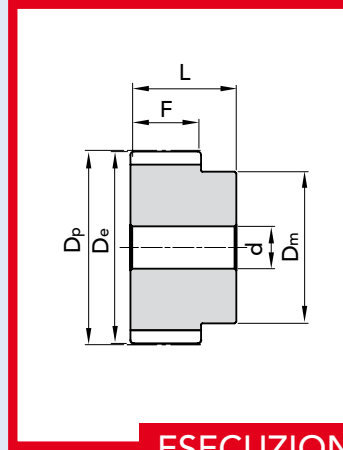
Le immagini non sono identificative del prodotto.

PULEGGE DENTATE CON FORO INIZIALE TIPO XXH 400 - XXH 500

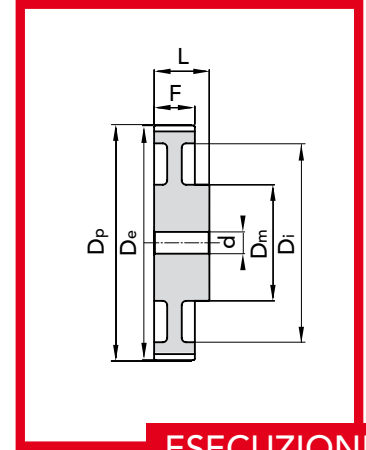




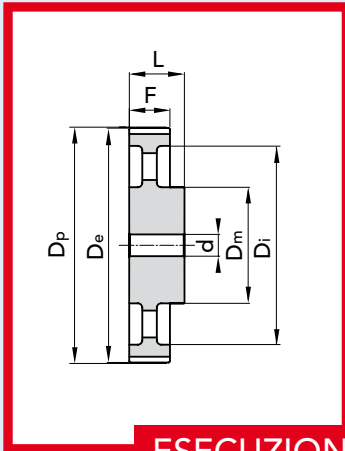
**ESECUZIONE 1F**



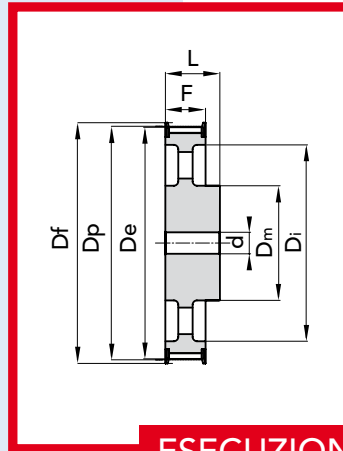
**ESECUZIONE 2**



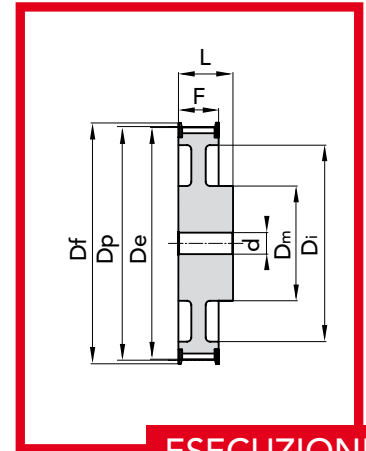
**ESECUZIONE 3**



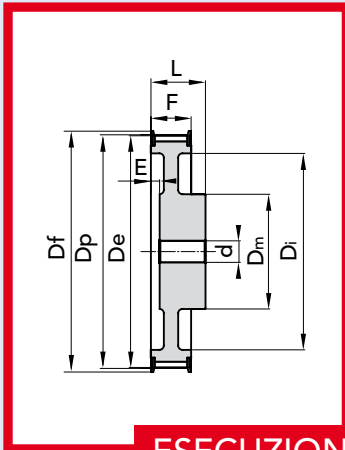
**ESECUZIONE 4**



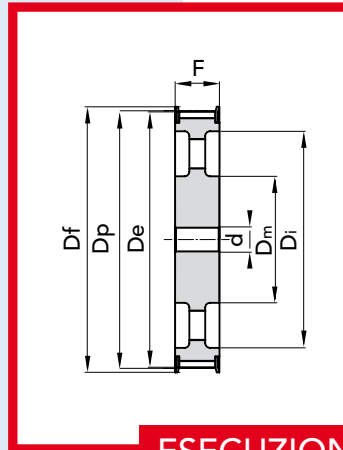
**ESECUZIONE 5F**



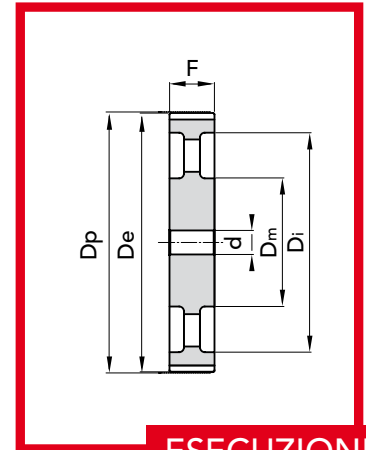
**ESECUZIONE 6F**



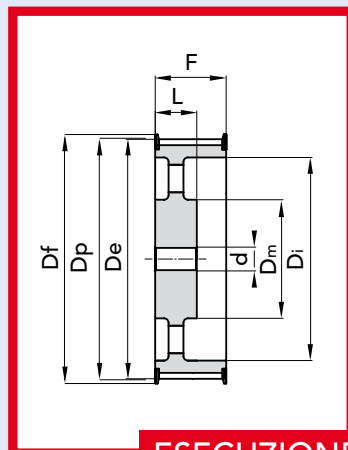
**ESECUZIONE 7F**



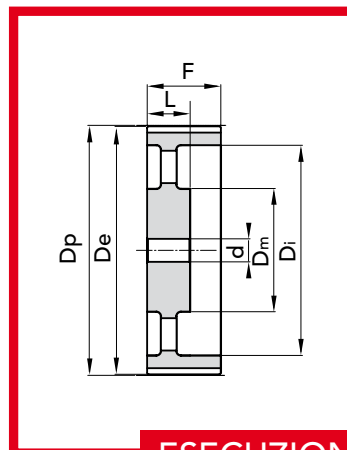
**ESECUZIONE 8F**



**ESECUZIONE 9**



**ESECUZIONE 10F**



**ESECUZIONE 11**



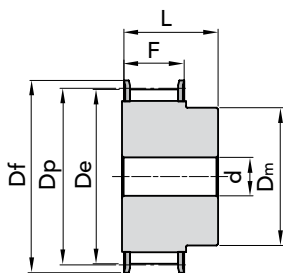
# PULEGGE DENTATE TIPO EXPORT

21

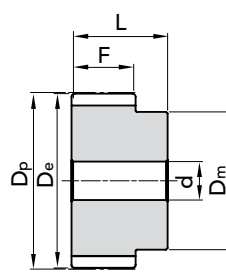
PER CINGHIE POSITIVE

## TIPO XL 037

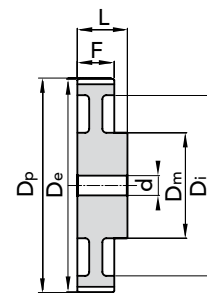
PASSO 1/5" (5.08 mm)



ESEC. 1F



ESEC. 2



ESEC. 3

TIPO	CODICE	N. DENTI	ESEC.	Dp	De	Df	Dm	Di	F	L	d Ø foro	N. 2 fori filettati a 90°	N. FLANGIA	Peso kg.
						FLANGIA MOZZO								
10 XL 037	42037210	10	1F	16,17	15,66	23	9,5	-	14,3	19,8	4,0	M3	1	0,01
11 XL 037	42037211	11	1F	17,79	17,28	23	11	-	14,3	19,8	4,0	M3	1	0,01
12 XL 037	42037212	12	1F	19,4	18,9	25	12,7	-	14,3	19,8	4,0	M3	2	0,01
14 XL 037	42037214	14	1F	22,64	22,13	28	14,3	-	14,3	19,8	6,0	M4	4	0,02
15 XL 037	42037215	15	1F	24,26	23,75	28	15,9	-	14,3	19,8	6,0	M4	4	0,02
16 XL 037	42037216	16	1F	25,87	25,36	32	17,5	-	14,3	19,8	6,0	M4	5	0,03
18 XL 037	42037218	18	1F	29,11	28,6	35	20,6	-	14,3	19,8	6,0	M4	7	0,04
20 XL 037	42037220	20	1F	32,34	31,83	38	23,8	-	14,3	22,2	6,0	M4	9	0,05
21 XL 037	42037221	21	1F	33,96	33,45	38	23,8	-	14,3	22,2	6,0	M4	9	0,05
22 XL 037	42037222	22	1F	35,57	35,07	41	25,4	-	14,3	22,2	6,0	M4	10	0,06
24 XL 037	42037224	24	1F	38,81	38,3	44	27	-	14,3	22,2	6,0	M4	12	0,06
26 XL 037	42037226	26	1F	42,04	41,53	48	30	-	14,3	22,2	6,0	M4	11	0,09
28 XL 037	42037228	28	1F	45,28	44,77	51	30,2	-	14,3	22,2	6,0	M4	16	0,10
30 XL 037	42037230	30	1F	48,51	48	54	34,9	-	14,3	22,2	6,0	M4	18	0,12
32 XL 037	42037232	32	2	51,74	51,24	-	38	-	14,3	25,4	8,0	M4	-	0,12
36 XL 037	42037236	36	2	58,21	57,7	-	38	-	14,3	25,4	8,0	M4	-	0,14
40 XL 037	42037240	40	2	64,68	64,17	-	38	-	14,3	25,4	8,0	M4	-	0,16
42 XL 037	42037242	42	3	67,91	67,41	-	38	58	14,3	25,4	8,0	M4	-	0,18
44 XL 037	42037244	44	3	71,15	70,64	-	38	60	14,3	25,4	8,0	M4	-	0,19
48 XL 037	42037248	48	3	77,62	77,11	-	38	66	14,3	25,4	8,0	M4	-	0,19
60 XL 037	42037260	60	3	97,02	96,51	-	38	82	14,3	25,4	8,0	M4	-	0,22
72 XL 037	42037272	72	3	116,43	115,92	-	38	100	14,3	25,4	8,0	M4	-	0,44

PULEGGE DENTATE TIPO EXPORT XL 037

7

MATERIALE ACCIAIO FOSFATATO

MATERIALE ALLUMINIO

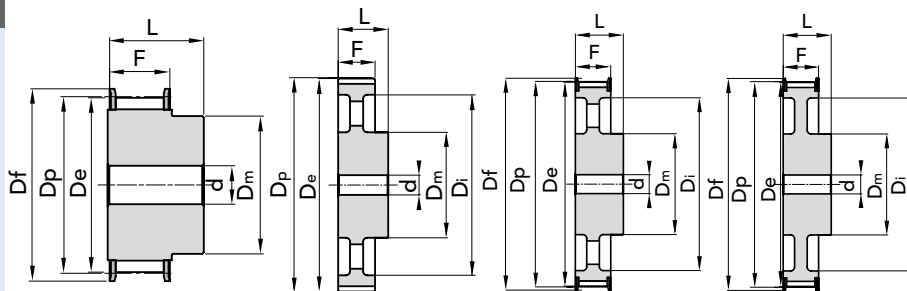
Adatto per l'ossidazione dura a spessore.

Disegni CAD disponibili sul sito [www.chiaravalli.com](http://www.chiaravalli.com)

Quantità, disponibilità e prezzi con B2B Chiaravalli



Le immagini non sono identificative del prodotto.


**PER CINGHIE POSITIVE**
**TIPO L 050**
**PASSO 3/8" (9.52 mm)**


ESEC. 1F

ESEC. 4

ESEC. 5F

ESEC. 6F

TIPO	CODICE	N. DENTI	ESEC.	Dp	De	Df FLANGIA	Dm MOZZO	F	L	d	N. FLANGIA	Peso kg.
10 L 050	42050210	10	1F	30,32	29,56	37,0	22	19,0	26	6	50	0,11
12 L 050	42050212	12	1F	36,38	35,62	43,0	28	19,0	26	6	52	0,17
13 L 050	42050213	13	1F	39,41	38,65	44,0	30	19,0	26	6	83	0,21
14 L 050	42050214	14	1F	42,45	41,68	48,0	33	19,0	26	8	54	0,24
15 L 050	42050215	15	1F	45,48	44,72	51,0	36	19,0	26	8	55	0,29
16 L 050	42050216	16	1F	48,51	47,75	54,0	38	19,0	26	8	56	0,33
17 L 050	42050217	17	1F	51,54	50,78	57,0	40	19,0	26	10	57	0,38
18 L 050	42050218	18	1F	54,57	53,81	60,0	40	19,0	26	10	58	0,44
19 L 050	42050219	19	1F	57,61	56,84	64,0	40	19,0	26	10	59	0,47
20 L 050	42050220	20	1F	60,64	59,88	66,5	46	19,0	26	10	60	0,51
21 L 050	42050221	21	1F	63,67	62,91	70,0	46	19,0	26	10	61	0,6
22 L 050	42050222	22	1F	66,70	65,94	75,0	50	19,0	26	10	62	0,64
24 L 050	42050224	24	1F	72,77	72,00	79,0	50	19,0	26	12	63	0,81
26 L 050	42050226	26	1F	78,83	78,07	86,0	50	19,0	26	12	65	0,94
28 L 050	42050228	28	1F	84,89	84,13	91,0	50	19,0	26	12	66	1,04
30 L 050	42050230	30	1F	90,96	90,20	97,0	50	19,0	26	12	68	1,17
	42050232											
36 L 050	42050236	36	6F	109,15	108,39	115,0	50	19,0	26	12	74	1,70
40 L 050	42050240	40	6F	121,28	120,51	128,0	50	19,0	26	12	78	2,03
44 L 050	42050244	44	5F	133,40	132,64	142,0	50	19,0	26	12	81	2,38
48 L 050	42050248	48	5F	145,53	144,77	150,0	50	19,0	26	12	85	2,78
60 L 050	42050260	60	4	191,91	181,15	-	50	19,0	28	15	-	2,41
72 L 050	42050272	72	4	218,30	217,53	-	50	19,0	28	15	-	2,82
84 L 050	42050284	84	4	254,68	253,92	-	50	19,0	28	15	-	3,08

**MATERIALE ACCIAIO  
C 45**
**MATERIALE GHISA**

 Disegni CAD disponibili sul sito  
[www.chiaravalli.com](http://www.chiaravalli.com)
**Quantità, disponibilità e prezzi  
con B2B Chiaravalli**



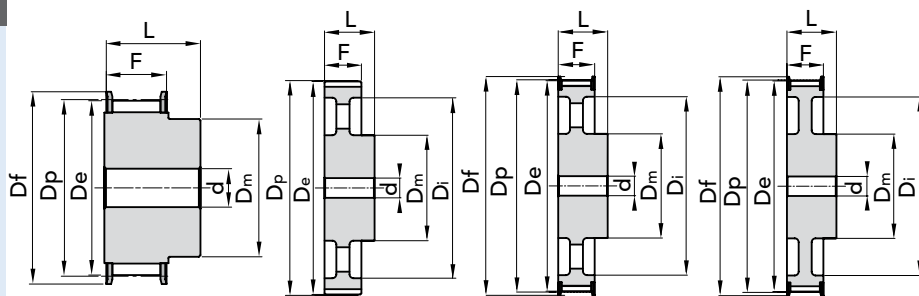

# PULEGGE DENTATE TIPO EXPORT "FOSFATATE"

23

PER CINGHIE POSITIVE

## TIPO L 075

PASSO 3/8" (9.52 mm)



ESEC. 1F

ESEC. 4

ESEC. 5F

ESEC. 6F

TIPO	CODICE	N. DENTI	ESEC.	Dp	De	Df FLANGIA	Dm MOZZO	Di	F	L	d Ø foro	N. FLANGIA	Peso kg.
10 L 075	42075210	10	1F	30,32	29,56	37,0	22	-	25	32	8	50	0,14
12 L 075	42075212	12	1F	36,38	35,62	43,0	28	-	25	32	8	52	0,22
13 L 075	42075213	13	1F	39,41	38,65	44,0	30	-	25	32	8	83	0,26
14 L 075	42075214	14	1F	42,45	41,68	48,0	33	-	25	32	8	54	0,30
15 L 075	42075215	15	1F	45,48	44,72	51,0	36	-	25	32	8	55	0,37
16 L 075	42075216	16	1F	48,51	47,75	54,0	38	-	25	32	8	56	0,43
17 L 075	42075217	17	1F	51,54	50,78	57,0	40	-	25	32	10	57	0,46
18 L 075	42075218	18	1F	54,57	53,81	60,0	40	-	25	32	10	58	0,54
19 L 075	42075219	19	1F	57,61	56,84	64,0	40	-	25	32	10	59	0,58
20 L 075	42075220	20	1F	60,64	59,88	66,5	46	-	25	32	10	60	0,64
21 L 075	42075221	21	1F	63,67	62,91	70,0	46	-	25	32	10	61	0,71
22 L 075	42075222	22	1F	66,70	65,94	75,0	50	-	25	32	10	62	0,79
24 L 075	42075224	24	1F	72,77	72,00	79,0	50	-	25	32	12	63	1,00
26 L 075	42075226	26	1F	78,83	78,07	86,0	50	-	25	32	12	65	1,16
28 L 075	42075228	28	1F	84,89	84,13	91,0	50	-	25	32	12	66	1,30
30 L 075	42075230	30	1F	90,96	90,20	97,0	50	-	25	32	12	68	1,47
32 L 075	42075232	32	1F	97,02	96,26	102	50	-	25	32	12	70	1,75
36 L 075	42075236	36	6F	109,15	108,39	115,0	55	94	25	32	12	74	2,14
40 L 075	42075240	40	6F	121,28	120,51	128,0	60	98	25	32	12	78	2,56
44 L 075	42075244	44	5F	133,40	132,64	142,0	60	108	25	32	12	81	3,02
48 L 075	42075248	48	5F	145,53	144,77	150,0	60	118	25	32	12	85	3,57
60 L 075	42075260	60	4	191,91	181,15	-	60	163	26	35	15	-	2,70
72 L 075	42075272	72	4	218,30	217,53	-	60	199	26	35	15	-	3,19
84 L 075	42075284	84	4	254,68	253,92	-	60	236	26	35	15	-	3,64

PULEGGE DENTATE TIPO EXPORT "FOSFATATE" L 075

7

MATERIALE ACCIAIO  
C 45

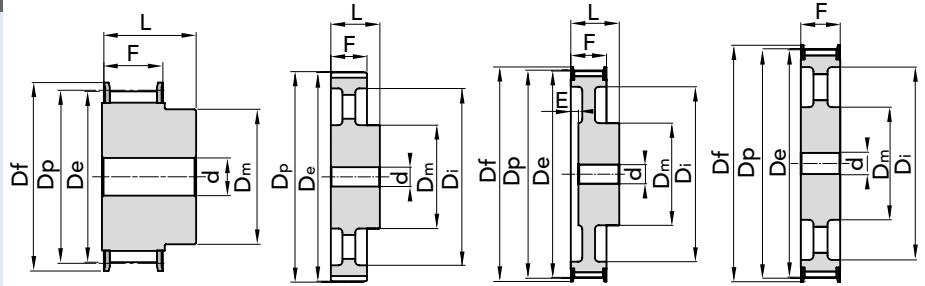
MATERIALE GHISA

Disegni CAD disponibili sul sito  
[www.chiaravalli.com](http://www.chiaravalli.com)

Quantità, disponibilità e prezzi  
con B2B Chiaravalli



Le immagini non sono identificative del prodotto.


**PER CINGHIE POSITIVE**
**TIPO L 100**
**PASSO 3/8" (9.52 mm)**


ESEC. 1F

ESEC. 4

ESEC. 7F

ESEC. 8F

TIPO	CODICE	N. DENTI	ESEC.	Dp	De	Df FLANGIA	Dm MOZZO	Di	F	L	d Ø foro	N. FLANGIA	Peso kg.
10 L 100	42100210	10	1F	30,32	29,56	37,0	22	-	31	38	8	50	0,17
12 L 100	42100212	12	1F	36,38	35,62	43,0	28	-	31	38	8	52	0,26
13 L 100	42100213	13	1F	39,41	38,65	44,0	30	-	31	38	8	83	0,32
14 L 100	42100214	14	1F	42,45	41,68	48,0	33	-	31	38	8	54	0,35
15 L 100	42100215	15	1F	45,48	44,72	51,0	36	-	31	38	8	55	0,43
16 L 100	42100216	16	1F	48,51	47,75	54,0	38	-	31	38	8	56	0,50
17 L 100	42100217	17	1F	51,54	50,78	57,0	40	-	31	38	10	57	0,56
18 L 100	42100218	18	1F	54,57	53,81	60,0	40	-	31	38	10	58	0,64
19 L 100	42100219	19	1F	57,61	56,84	64,0	40	-	31	38	10	59	0,70
20 L 100	42100220	20	1F	60,64	59,88	66,5	46	-	31	38	10	60	0,77
21 L 100	42100221	21	1F	63,67	62,91	70,0	46	-	31	38	10	61	0,88
22 L 100	42100222	22	1F	66,70	65,94	75,0	50	-	31	38	10	62	0,95
24 L 100	42100224	24	1F	72,77	72,00	79,0	50	-	31	38	12	63	1,18
26 L 100	42100226	26	1F	78,83	78,07	86,0	50	-	31	38	12	65	1,40
28 L 100	42100228	28	1F	84,89	84,13	91,0	50	-	31	38	12	66	1,58
30 L 100	42100230	30	1F	90,96	90,20	97,0	50	-	31	38	12	68	1,78
32 L 100	42100232	32	1F	97,02	96,26	102	50	-	31	38	12	70	2,11
36 L 100	42100236	36	7F	109,15	108,39	115,0	55	94	32	38	12	74	2,59
40 L 100	42100240	40	7F	121,28	120,51	128,0	60	98	32	38	12	78	3,13
44 L 100	42100244	44	8F	133,40	132,64	142,0	60	108	32	-	12	81	3,72
48 L 100	42100248	48	8F	145,53	144,77	150,0	60	118	32	-	12	85	4,38
60 L 100	42100260	60	4	191,91	181,15	-	60	163	32	35	15	-	3,11
72 L 100	42100272	72	4	218,30	217,53	-	60	199	32	35	15	-	3,65
84 L 100	42100284	84	4	254,68	253,92	-	60	236	32	35	15	-	4,12

**MATERIALE ACCIAIO  
C 45**
**MATERIALE GHISA**

 Disegni CAD disponibili sul sito  
[www.chiaravalli.com](http://www.chiaravalli.com)
**Quantità, disponibilità e prezzi  
con B2B Chiaravalli**

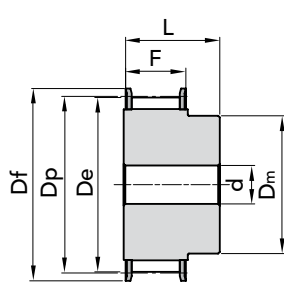
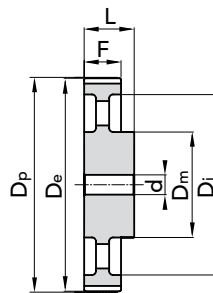
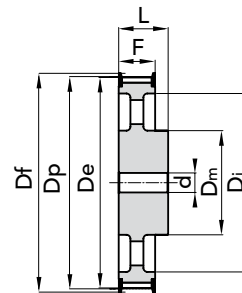




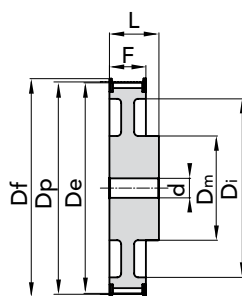
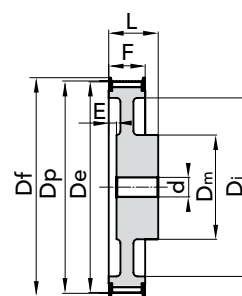

## PER CINGHIE POSITIVE

### TIPO H 100

PASSO 1/2" (12.7 mm)

**ESEC. 1F****ESEC. 4****ESEC. 5F**

TIPO	CODICE	N. DENTI	ESEC.	Dp	De	Df FLANGIA	Dm MOZZO	Di	F	L	E	d Ø foro	N. FLANGIA	Peso kg.
14 H 100	43100214	14	1F	56,60	55,22	64,0	40	-	31	41	-	10	59	0,65
16 H 100	43100216	16	1F	64,68	63,31	70,0	46	-	31	41	-	10	61	0,87
18 H 100	43100218	18	1F	72,77	71,39	79,0	54	-	31	41	-	12	63	1,16
19 H 100	43100219	19	1F	76,81	75,44	82,5	58	-	31	41	-	12	64	1,30
20 H 100	43100220	20	1F	80,85	79,48	87,0	62	-	31	41	-	12	76	1,44
21 H 100	43100221	21	1F	84,89	83,52	91,0	67	-	31	41	-	12	66	1,60
22 H 100	43100222	22	1F	88,94	87,56	94	70	-	31	41	-	12	67	1,76
24 H 100	43100224	24	1F	97,02	95,65	102,0	75	-	31	41	-	12	70	2,09
26 H 100	43100226	26	7F	105,11	103,73	112,0	55	81	32	40	8	15	72	2,49
28 H 100	43100228	28	7F	113,19	111,82	115,0	60	88	32	40	8	15	75	2,83
30 H 100	43100230	30	7F	121,28	119,90	128,0	60	97	32	40	8	15	78	3,19
32 H 100	43100232	32	6F	129,36	127,99	135,0	70	105	32	40	-	20	80	3,57
36 H 100	43100236	36	6F	145,53	144,16	150,0	80	118	32	40	-	20	85	4,44
40 H 100	43100240	40	5F	161,70	160,33	168,0	80	135	32	40	-	20	90	5,39
44 H 100	43100244	44	5F	177,87	176,50	184,0	80	150	32	40	-	20	95	3,37
48 H 100	43100248	48	5F	194,04	192,67	200,0	80	170	32	40	-	20	100	4,10
60 H 100	43100260	60	4	242,55	241,18	-	80	216	34	45	-	20	-	5,30
72 H 100	43100272	72	4	291,06	289,69	-	80	263	34	45	-	20	-	7,47
84 H 100	43100284	84	4	339,57	338,20	-	80	312	34	45	-	20	-	8,52
96 H 100	43100296	96	4	388,08	386,71	-	80	360	34	45	-	20	-	10,25
120 H 100	43100320	120	4	485,1	483,73	-	90	458	34	50	-	20	-	13,09

**ESEC. 6F****ESEC. 7F**

MATERIALE **ACCIAIO**  
**C 45**

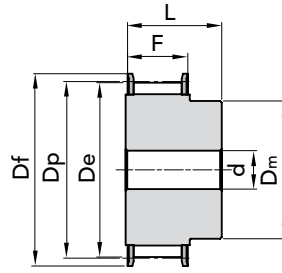
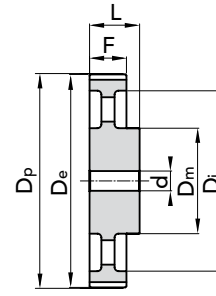
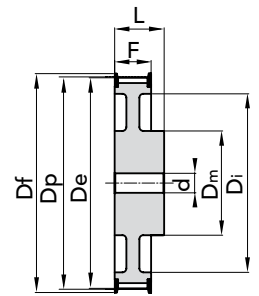
MATERIALE **GHISA**

Disegni CAD disponibili sul sito  
[www.chiaravalli.com](http://www.chiaravalli.com)

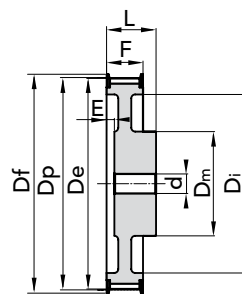
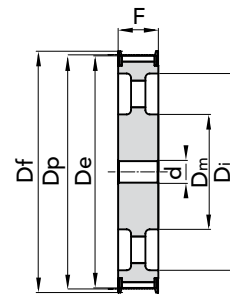
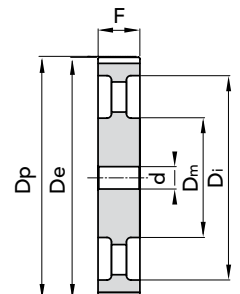
Quantità, disponibilità e prezzi  
con B2B Chiaravalli



Le immagini non sono identificative del prodotto.


**PER CINGHIE POSITIVE**
**TIPO H 150**
**PASSO 1/2" (12.7 mm)**

**ESEC. 1F**

**ESEC. 4**

**ESEC. 6F**

TIPO	CODICE	N. DENTI	ESEC.	Dp	De	Df FLANGIA	Dm MOZZO	Di	F	L	E	d Ø foro	N. FLANGIA	Peso kg.
14 H 150	43150214	14	1F	56,60	55,22	64,0	40	-	44	54	-	12	59	0,81
16 H 150	43150216	16	1F	64,68	63,31	70,0	46	-	44	54	-	12	61	1,11
18 H 150	43150218	18	1F	72,77	71,39	79,0	54	-	44	54	-	12	63	1,48
19 H 150	43150219	19	1F	76,81	75,44	82,5	58	-	44	54	-	12	64	1,68
20 H 150	43150220	20	1F	80,85	79,48	87,0	62	-	44	54	-	12	76	1,88
21 H 150	43150221	21	1F	84,89	83,52	91,0	67	-	44	54	-	12	66	2,08
22 H 150	43150222	22	1F	88,94	87,56	94	70	-	44	54	-	12	67	2,30
24 H 150	43150224	24	1F	97,02	95,65	102,0	75	-	44	54	-	12	70	2,75
26 H 150	43150226	26	7F	105,11	103,73	112,0	55	81	45	53	18	15	72	3,29
28 H 150	43150228	28	7F	113,19	111,82	115,0	60	88	45	53	18	15	75	3,78
30 H 150	43150230	30	7F	121,28	119,90	128,0	60	97	45	53	18	15	78	4,29
32 H 150	43150232	32	6F	129,36	127,99	135,0	70	105	45	53	-	20	80	4,86
36 H 150	43150236	36	6F	145,53	144,16	150,0	80	118	45	53	-	20	85	6,09
40 H 150	43150240	40	8F	161,70	160,33	168,0	80	135	45	-	-	20	90	7,46
44 H 150	43150244	44	8F	177,87	176,50	184,0	80	150	45	-	-	20	95	4,29
48 H 150	43150248	48	8F	194,04	192,67	200,0	80	170	45	-	-	20	100	5,41
60 H 150	43150260	60	9	242,55	241,18	-	85	216	46	-	-	20	-	7,08
72 H 150	43150272	72	9	291,06	289,69	-	85	263	46	-	-	20	-	9,70
84 H 150	43150284	84	9	339,57	338,20	-	85	312	46	-	-	20	-	10,99
96 H 150	43150296	96	9	388,08	386,71	-	85	360	46	-	-	20	-	12,24
120 H 150	43150320	120	4	485,1	483,73	-	95	458	46	55	-	24	-	16,17


**ESEC. 7F**

**ESEC. 8F**

**ESEC. 9**
**MATERIALE ACCIAIO  
C 45**
**MATERIALE GHISA**

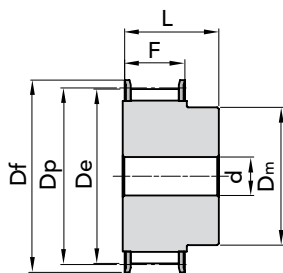
 Disegni CAD disponibili sul sito  
[www.chiaravalli.com](http://www.chiaravalli.com)
**Quantità, disponibilità e prezzi  
con B2B Chiaravalli**



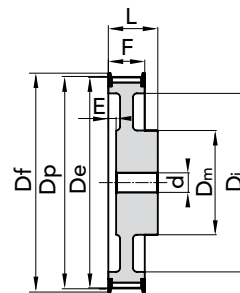

PER CINGHIE POSITIVE

## TIPO H 200

PASSO 1/2" (12.7 mm)

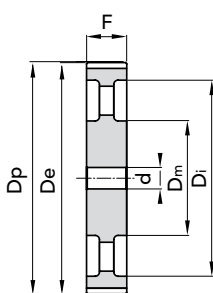


ESEC. 1F

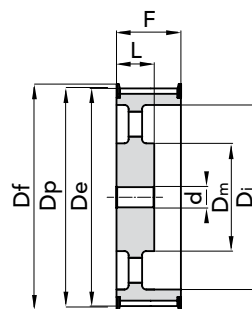


ESEC. 7F

TIPO	CODICE	N. DENTI	ESEC.	Dp	De	Df FLANGIA	Dm MOZZO	Di	F	L	E	d Ø foro	N. FLANGIA	Peso kg.
14 H 200	43200214	14	1F	56,60	55,22	64,0	40	-	58	68	-	-	59	1,10
16 H 200	43200216	16	1F	64,68	63,31	70,0	46	-	58	68	-	-	61	1,54
18 H 200	43200218	18	1F	71,77	71,39	79,0	54	-	58	68	-	-	63	1,95
19 H 200	43200219	19	1F	76,81	75,44	82,5	58	-	58	68	-	-	64	2,20
20 H 200	43200220	20	1F	80,85	79,48	87,0	62	-	58	68	-	-	76	2,44
21 H 200	43200221	21	1F	84,89	83,52	91,0	67	-	58	68	-	-	66	2,70
22 H 200	43200222	22	1F	88,94	87,56	94	70	-	58	68	-	-	67	2,97
24 H 200	43200224	24	1F	97,02	95,65	102,0	75	-	58	68	-	-	70	3,56
26 H 200	43200226	26	7F	105,11	103,73	112,0	60	81	58	66	24	15	72	4,18
28 H 200	43200228	28	7F	113,19	111,82	115,0	60	88	58	66	24	15	75	4,81
30 H 200	43200230	30	7F	121,28	119,90	128,0	70	97	58	66	24	15	78	5,47
32 H 200	43200232	32	7F	129,36	127,99	135,0	70	105	58	66	19,0	20	80	6,17
36 H 200	43200236	36	7F	145,53	144,16	150,0	80	118	58	66	19,0	20	85	7,75
40 H 200	43200240	40	10F	161,70	160,33	168,0	80	135	58	45,0	-	20	90	9,50
44 H 200	43200244	44	10F	177,87	176,50	184,0	80	150	58	45,0	-	20	95	5,14
48 H 200	43200248	48	10F	194,04	192,67	200,0	80	170	58	45,0	-	20	100	6,29
60 H 200	43200260	60	11	242,55	241,18	-	90	216	60	50,0	-	20	-	8,25
72 H 200	43200272	72	11	291,06	289,69	-	90	263	60	50,0	-	20	-	11,09
84 H 200	43200284	84	11	339,57	338,20	-	90	312	60	50,0	-	20	-	12,63
96 H 200	43200296	96	11	388,08	386,71	-	90	360	60	50,0	-	20	-	14,51
120 H 200	43200320	120	9	485,1	483,73	-	100	458	60	-	-	24	-	19,15



ESEC. 9



ESEC. 10F

MATERIALE ACCIAIO  
C 45

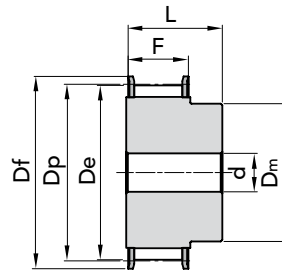
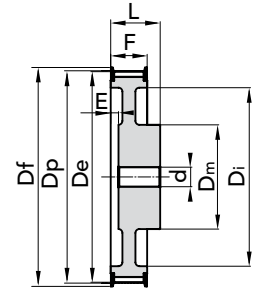
MATERIALE GHISA

Disegni CAD disponibili sul sito  
[www.chiaravalli.com](http://www.chiaravalli.com)

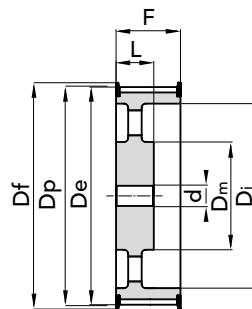
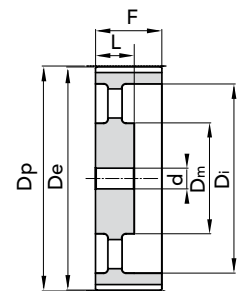
Quantità, disponibilità e prezzi  
con B2B Chiaravalli



Le immagini non sono identificative del prodotto.


**PER CINGHIE POSITIVE**
**TIPO H 300**
**PASSO 1/2" (12.7 mm)**

**ESEC. 1F**

**ESEC. 7F**

TIPO	CODICE	N. DENTI	ESEC.	Dp	De	Df FLANGIA	Dm MOZZO	Di	F	L	E	d Ø foro	N. FLANGIA	Peso kg.
16 H 300	43300216	16	1F	64,68	63,31	70,0	46	-	84	94	-	-	61	2,16
18 H 300	43300218	18	1F	71,77	71,39	79,0	54	-	84	94	-	-	63	2,80
19 H 300	43300219	19	1F	76,81	75,44	82,5	58	-	84	94	-	-	64	3,16
20 H 300	43300220	20	1F	80,85	79,48	87,0	62	-	84	94	-	-	76	3,50
21 H 300	43300221	21	1F	84,89	83,52	91,0	67	-	84	94	-	-	66	3,87
22 H 300	43300222	22	1F	88,94	87,56	94	70	-	84	94	-	-	67	4,26
24 H 300	43300224	24	1F	97,02	95,65	102,0	75	-	84	94	-	-	70	5,08
26 H 300	43300226	26	7F	105,11	103,73	112,0	60	81	84	92	35	15	72	6,01
28 H 300	43300228	28	7F	113,19	111,82	115,0	60	88	84	92	35	15	75	6,91
30 H 300	43300230	30	7F	121,28	119,90	128,0	70	97	84	92	35	15	78	7,90
32 H 300	43300232	32	7F	129,36	127,99	135,0	70	105	84	92	35	20	80	8,92
36 H 300	43300236	36	7F	145,53	144,16	150,0	80	118	84	92	35	20	85	11,24
40 H 300	43300240	40	10F	161,70	160,33	168,0	80	135	84	55,0	-	20	90	13,8
44 H 300	43300244	44	10F	177,87	176,50	184,0	80	150	84	55,0	-	20	95	7,22
48 H 300	43300248	48	10F	194,04	192,67	200,0	85	170	84	55,0	-	20	100	8,60
60 H 300	43300260	60	11	242,55	241,18	-	100	216	86	55,0	-	20	-	11,18
72 H 300	43300272	72	11	291,06	289,69	-	100	263	86	55,0	-	20	-	15,07
84 H 300	43300284	84	11	339,57	338,20	-	100	312	86	55,0	-	20	-	16,97
96 H 300	43300296	96	11	388,08	386,71	-	100	360	86	55,0	-	20	-	19,86
120 H 300	43300320	120	11	485,1	483,73	-	110	458	86	65,0	-	24	-	25,91


**ESEC. 10F**

**ESEC. 11**
**MATERIALE ACCIAIO  
C 45**
**MATERIALE GHISA**

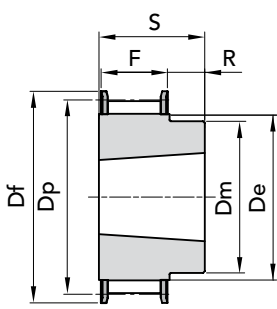
 Disegni CAD disponibili sul sito  
[www.chiaravalli.com](http://www.chiaravalli.com)
**Quantità, disponibilità e prezzi  
con B2B Chiaravalli**



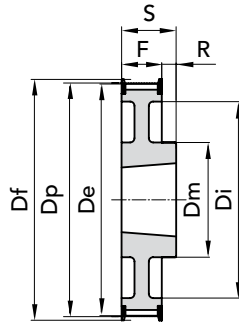

## IDENTIFICAZIONE DELLA CODIFICA

<b>TL 30 - L 100</b>		TL	Taper Lock
		30	N° denti
		L	passo cinghia
		100	larghezza cinghia in pollici

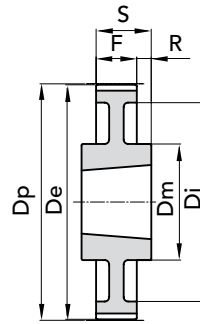




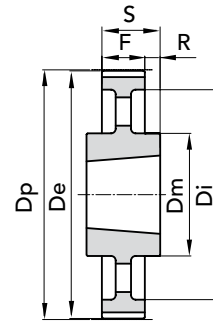
ESEC. 1F



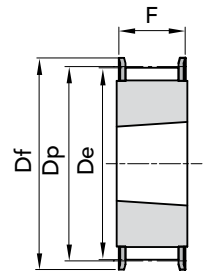
ESEC. 2F



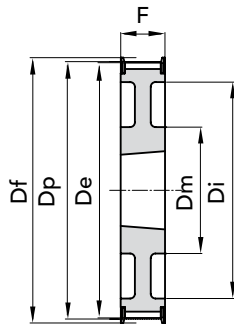
ESEC. 3



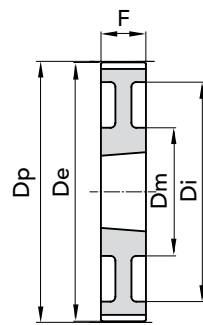
ESEC. 4



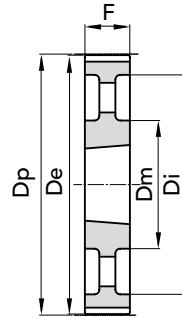
ESEC. 5F



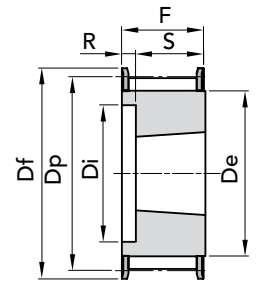
ESEC. 6F



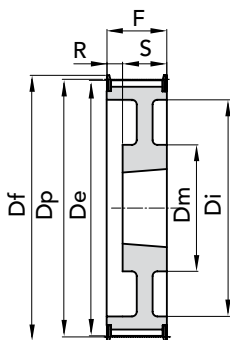
ESEC. 7



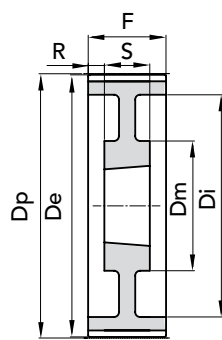
ESEC. 8



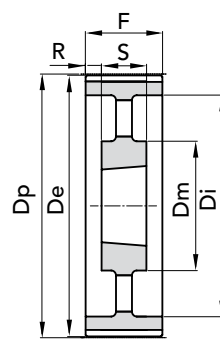
ESEC. 9F



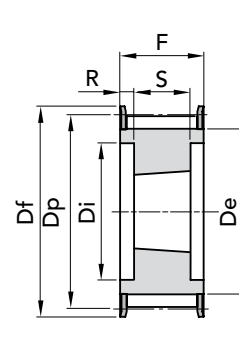
ESEC. 10F



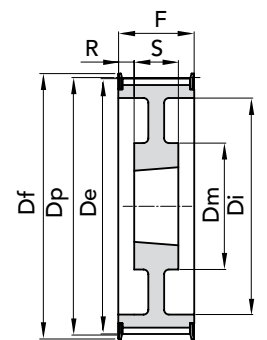
ESEC. 11



ESEC. 12



ESEC. 13F



ESEC. 14F



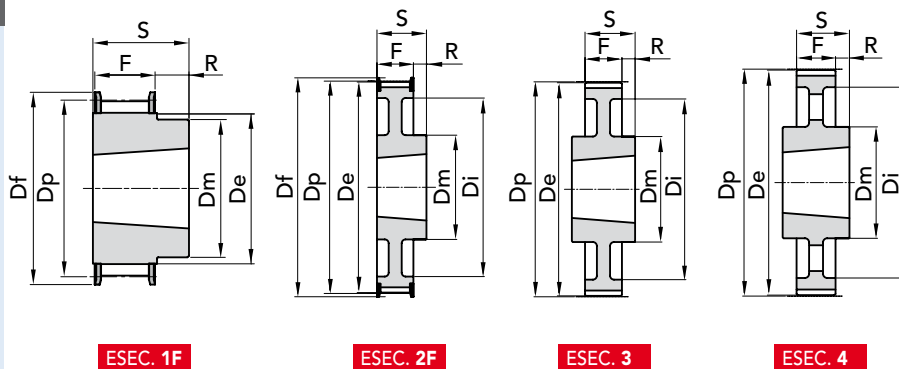
# PULEGGE DENTATE TAPER LOCK® "FOSFATATE"

31

PER CINGHIE POSITIVE

TIPO **L 050**

PASSO 3/8" (9.52 mm)



ESEC. 1F

ESEC. 2F

ESEC. 3

ESEC. 4

TIPO	CODICE	ESEC.	BUSS.	Foro MAX	Dp	De	Df FLANGIA	Dm MOZZO	Di	F	S	R	N. FLANGIA	Peso kg.
TL 18 L 050	42050418	1F	1108	28	54,57	53,81	60	45,00	-	19,0	22,0	3,0	58	0,20
TL 19 L 050	42050419	1F	1108	28	57,61	56,84	64	45	-	19,0	22,0	3,0	59	0,23
TL 20 L 050	42050420	1F	1108	28	60,64	59,88	66,5	48	-	19,0	22,0	3,0	60	0,27
TL 21 L 050	42050421	1F	1108	28	63,67	62,91	70	48	-	19,0	22,0	3,0	61	0,30
TL 22 L 050	42050422	1F	1108	28	66,70	65,94	75	51	-	19,0	22,0	3,0	62	0,34
TL 23 L 050	42050423	1F	1108	28	69,73	68,97	79	54	-	19,0	22,0	3,0	63	0,40
TL 24 L 050	42050424	1F	1108	28	72,77	72,00	79	54	-	19,0	22,0	3,0	63	0,45
TL 25 L 050	42050425	1F	1108	28	75,80	75,04	82,5	56	-	19,0	22,0	3,0	64	0,50
TL 26 L 050	42050426	1F	1108	28	78,83	78,07	86	60	-	19,0	22,0	3,0	65	0,55
TL 27 L 050	42050427	1F	1108	28	81,86	81,10	86	62	-	19,0	22,0	3,0	65	0,60
TL 28 L 050	42050428	1F	1108	28	84,89	84,13	91	65	-	19,0	22,0	3,0	66	0,65
TL 30 L 050	42050430	1F	1108	28	90,96	90,20	97	70	-	19,0	22,0	3,0	68	0,80
TL 32 L 050	42050432	1F	1108	28	97,02	96,26	102	74	-	19,0	22,0	3,0	70	0,98
TL 36 L 050	42050436	1F	1108	28	109,15	108,39	115	85	-	19,0	22,0	3,0	74	1,20
TL 40 L 050	42050440	1F	1610	42	121,28	120,51	128	97	-	19,0	25,0	6,0	78	1,40
TL 44 L 050	42050444	2F	1610	42	133,40	132,64	142	88	110	19,0	25,0	6,0	81	
TL 48 L 050	42050448	2F	1610	42	145,53	147,77	150	88	120	19,0	25,0	6,0	85	2,30
TL 60 L 050	42050460	3	1610	42	181,91	181,15	-	92	166	19,0	25,0	3,0	-	2,20
TL 72 L 050	42050472	4	1610	42	218,30	217,53	-	92	202	19,0	25,0	3,0	-	2,10
TL 84 L 050	42050484	4	1610	42	254,68	253,90	-	92	236	19,0	25,0	3,0	-	2,46
TL 96 L 050	42050496	4	2012	50	291,06	290,30	-	106	270	19,0	32,0	6,5	-	3,36
TL 120 L 050	42050520	4	2012	50	363,83	363,07	-	106	343	19,0	32,0	6,5	-	4,44

PULEGGE DENTATE TAPER LOCK® PER CINGHIE POSITIVE "FOSFATATE" L 050

Le immagini non sono identificative del prodotto.

MATERIALE **ACCIAIO**  
C 45 UNI 7845

MATERIALE **GHISA**  
G 20 UNI 5007

Disegni CAD disponibili sul sito  
[www.chiaravalli.com](http://www.chiaravalli.com)

Quantità, disponibilità e prezzi  
con B2B Chiaravalli

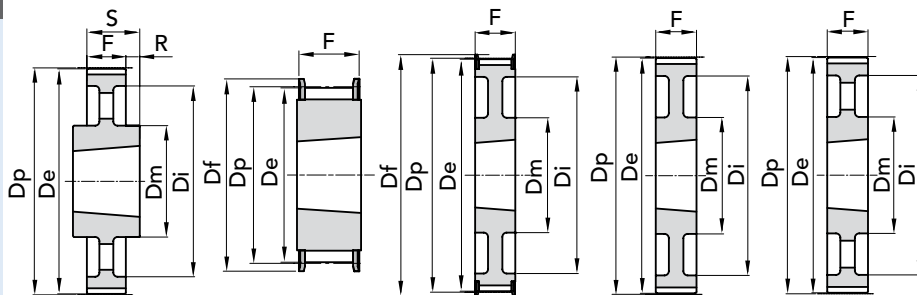




## PER CINGHIE POSITIVE

TIPO **L 075**

PASSO 3/8" (9.52 mm)



ESEC. 4

ESEC. 5F

ESEC. 6F

ESEC. 7

ESEC. 8

TIPO	CODICE	ESEC.	BUSS.	Foro MAX	Dp	De	Df	Dm	Di	F	S	R	N.	Peso kg.
						FLANGIA		MOZZO						
TL 18 L 075	42075418	5F	1108	28	54,57	53,81	60	-	-	25,0	25,0	-	58	0,25
TL 19 L 075	42075419	5F	1108	28	57,61	56,84	64	-	-	25,0	25,0	-	59	0,32
TL 20 L 075	42075420	5F	1108	28	60,64	59,88	66,5	-	-	25,0	25,0	-	60	0,35
TL 21 L 075	42075421	5F	1108	28	63,67	62,91	70	-	-	25,0	25,0	-	61	0,40
TL 22 L 075	42075422	5F	1108	28	66,70	65,94	75	-	-	25,0	25,0	-	62	0,44
TL 23 L 075	42075423	5F	1108	28	69,73	68,97	79	-	-	25,0	25,0	-	63	0,48
TL 24 L 075	42075424	5F	1108	28	72,77	72,00	79	-	-	25,0	25,0	-	63	0,55
TL 25 L 075	42075425	5F	1108	28	75,80	75,04	82,5	-	-	25,0	25,0	-	64	0,63
TL 26 L 075	42075426	5F	1108	28	78,83	78,07	86	-	-	25,0	25,0	-	65	0,66
TL 27 L 075	42075427	5F	1108	28	81,86	81,10	86	-	-	25,0	25,0	-	65	0,70
TL 28 L 075	42075428	5F	1108	28	84,89	84,13	91	-	-	25,0	25,0	-	66	0,72
TL 30 L 075	42075430	5F	1108	28	90,96	90,20	97	-	-	25,0	25,0	-	68	0,93
TL 32 L 075	42075432	5F	1108	28	97,02	96,26	102	-	-	25,0	25,0	-	70	1,10
TL 36 L 075	42075436	5F	1610	42	109,15	108,39	115	-	-	25,0	25,0	-	74	1,20
TL 40 L 075	42075440	5F	1610	42	121,28	120,51	128	-	-	25,0	25,0	-	78	1,70
TL 44 L 075	42075444	6F	1610	42	133,40	132,64	142	90	110	25,0	25,0	-	81	
TL 48 L 075	42075448	6F	1610	42	145,53	147,77	150	92	120	25,0	25,0	-	85	2,60
TL 60 L 075	42075460	7	1610	42	181,91	181,15	-	92	166	25,0	25,0	-	-	3,00
TL 72 L 075	42075472	8	1610	42	218,30	217,53	-	92	202	25,0	25,0	-	-	2,33
TL 84 L 075	42075484	4	2012	50	254,68	253,90	-	106	236	25,0	32,0	3,5	-	3,55
TL 96 L 075	42075496	4	2012	50	291,06	290,30	-	106	270	25,0	32,0	3,5	-	3,95
TL 120 L 075	42075520	4	2012	50	363,83	363,07	-	106	343	25,0	32,0	3,5	-	5,61

MATERIALE **ACCIAIO**  
**C 45 UNI 7845**

MATERIALE **GHISA**  
**G 20 UNI 5007**

Disegni CAD disponibili sul sito  
[www.chiaravalli.com](http://www.chiaravalli.com)

Quantità, disponibilità e prezzi  
con B2B Chiaravalli





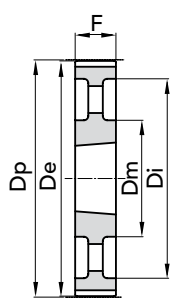
# PULEGGE DENTATE TAPER LOCK® "FOSFATATE"

33

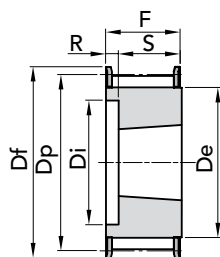
PER CINGHIE POSITIVE

## TIPO L 100

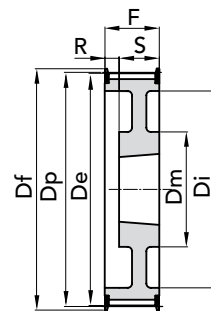
PASSO 3/8" (9.52 mm)



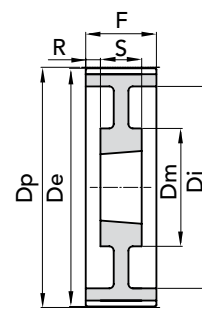
ESEC. 8



ESEC. 9F



ESEC. 10F



ESEC. 11

TIPO	CODICE	ESEC.	BUSS.	Foro MAX	Dp	De	Df FLANGIA	Dm MOZZO	Di	F	S	R	N. FLANGIA	Peso kg.
TL 18 L 100	42100418	9F	1108	28	54,57	53,81	60	-	38	31,0	22,0	9,0	58	0,20
TL 19 L 100	42100419	9F	1108	28	57,61	56,84	64	-	38	31,0	22,0	9,0	59	0,32
TL 20 L 100	42100420	9F	1108	28	60,64	59,88	66,5	-	45	31,0	22,0	9,0	60	0,41
TL 21 L 100	42100421	9F	1108	28	63,67	62,91	70	-	45	31,0	22,0	9,0	61	0,45
TL 22 L 100	42100422	9F	1108	28	66,70	65,94	75	-	48	31,0	22,0	9,0	62	0,47
TL 23 L 100	42100423	9F	1108	28	69,73	68,97	79	-	52	32,0	22,0	10,0	63	0,50
TL 24 L 100	42100424	9F	1108	28	72,77	72,00	79	-	52	32,0	22,0	10,0	63	0,64
TL 25 L 100	42100425	9F	1108	28	75,80	75,04	82,5	-	54	32,0	22,0	10,0	64	0,68
TL 26 L 100	42100426	9F	1108	28	78,83	78,07	86	-	60	32,0	22,0	10,0	65	0,70
TL 27 L 100	42100427	9F	1108	28	81,86	81,10	86	-	60	32,0	22,0	10,0	65	0,83
TL 28 L 100	42100428	9F	1108	28	84,89	84,13	91	-	65	32,0	22,0	10,0	66	0,85
TL 30 L 100	42100430	9F	1210	32	90,96	90,20	97	-	71	32,0	25,0	7,0	68	0,90
TL 32 L 100	42100432	9F	1210	32	97,02	96,26	102	-	75	32,0	25,0	7,0	70	1,05
TL 36 L 100	42100436	9F	1610	42	109,15	108,39	115	-	86	32,0	25,0	7,0	74	1,40
TL 40 L 100	42100440	9F	1610	42	121,28	120,51	128	-	96	32,0	25,0	7,0	78	1,65
TL 44 L 100	42100444	10F	1610	42	133,40	132,64	142	90	110	32,0	25,0	7,0	81	
TL 48 L 100	42100448	10F	1610	42	145,53	144,77	150	92	120	32,0	25,0	7,0	85	2,80
TL 60 L 100	42100460	11	1610	42	181,91	181,15	-	92	166	32,0	25,0	3,5	-	2,70
TL 72 L 100	42100472	8	2012	50	218,30	217,53	-	106	202	32,0	32,0	-	-	2,96
TL 84 L 100	42100484	8	2012	50	254,68	253,90	-	106	236	32,0	32,0	-	-	3,87
TL 96 L 100	42100496	8	2012	50	291,06	290,30	-	106	270	32,0	32,0	-	-	4,64
TL 120 L 100	42100520	8	2012	50	363,83	363,07	-	106	343	32,0	32,0	-	-	6,37

PULEGGE DENTATE TAPER LOCK® PER CINGHIE POSITIVE "FOSFATATE" L 100

Le immagini non sono identificative del prodotto.

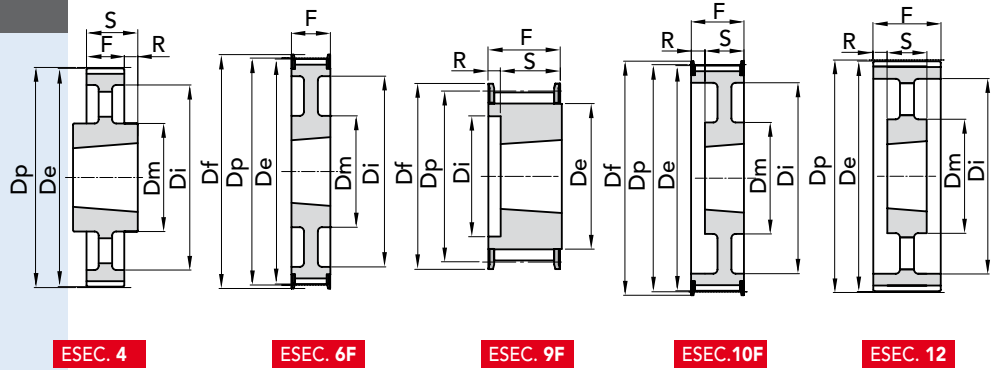
MATERIALE ACCIAIO  
C 45 UNI 7845

MATERIALE GHISA  
G 20 UNI 5007

Disegni CAD disponibili sul sito  
[www.chiaravalli.com](http://www.chiaravalli.com)

Quantità, disponibilità e prezzi  
con B2B Chiaravalli




**PER CINGHIE POSITIVE**
**TIPO H 100**
**PASSO 1/2" (12.7 mm)**


TIPO	CODICE	ESEC.	BUSS.	Foro MAX	Dp	De	Df	Dm	Di	F	S	R	N. FLANGIA	Peso kg.
					FLANGIA			MOZZO						
TL 16 H 100	43100416	9F	1108	28	64,68	63,31	70	-	45	31,0	22,0	9,0	61	0,42
TL 18 H 100	43100418	9F	1210	32	72,77	71,39	79	-	52	31,0	25,0	6,0	63	0,49
TL 19 H 100	43100419	9F	1210	32	76,81	74,44	82,5	-	56	31,0	25,0	6,0	64	0,62
TL 20 H 100	43100420	9F	1210	32	80,55	79,48	87	-	60	31,0	25,0	6,0	76	0,73
TL 21 H 100	43100421	9F	1210	32	84,89	83,52	91	-	64	32,0	25,0	7,0	66	0,80
TL 22 H 100	43100422	9F	1210	32	88,94	87,56	94	-	67	32,0	25,0	7,0	67	0,94
TL 23 H 100	43100423	9F	1610	42	92,98	91,61	97	-	70	32,0	25,0	7,0	68	0,97
TL 24 H 100	43100424	9F	1610	42	97,02	95,65	102	-	73,5	32,0	25,0	7,0	70	1,05
TL 25 H 100	43100425	9F	1610	42	101,06	99,69	106	-	77	32,0	25,0	7,0	71	1,10
TL 26 H 100	43100426	9F	1610	42	105,11	103,73	112	-	82	32,0	25,0	7,0	72	1,20
TL 27 H 100	43100427	9F	1610	42	109,15	107,78	115	-	85	32,0	25,0	7,0	74	1,35
TL 28 H 100	43100428	9F	1610	42	113,19	111,82	120	-	90,5	32,0	25,0	7,0	75	1,50
TL 30 H 100	43100430	9F	1610	42	121,28	119,90	128	-	98	32,0	25,0	7,0	78	1,78
TL 32 H 100	43100432	10F	1610	42	129,36	127,99	135	80	106	32,0	25,0	7,0	80	2,05
TL 36 H 100	43100436	10F	1610	42	145,53	144,16	150	92	121	32,0	25,0	7,0	85	2,80
TL 40 H 100	43100440	10F	1610	42	161,70	160,33	168	92	138	32,0	25,0	7,0	90	3,65
TL 44 H 100	43100444	6F	2012	50	177,87	176,50	184	106	152	32,0	32,0	-	95	3,86
TL 48 H 100	43100448	6F	2012	50	194,04	192,67	200	106	169	32,0	32,0	-	100	4,20
TL 60 H 100	43100460	12	2012	50	242,55	241,18	-	106	223	34,0	32,0	1,0	-	3,76
TL 72 H 100	43100472	12	2012	50	291,06	289,69	-	106	270	34,0	32,0	1,0	-	4,88
TL 84 H 100	43100484	12	2012	50	339,57	338,20	-	106	318	34,0	32,0	1,0	-	6,12
TL 96 H 100	43100496	4	2517	60	388,08	386,71	-	119	366	34,0	45,0	5,5	-	7,95
TL 120 H 100	43100520	4	2517	60	485,10	483,73	-	119	462	34,0	45,0	5,5	-	10,05

MATERIALE **ACCIAIO**  
**C 45 UNI 7845**

MATERIALE **GHISA**  
**G 20 UNI 5007**

Disegni CAD disponibili sul sito  
[www.chiaravalli.com](http://www.chiaravalli.com)

Quantità, disponibilità e prezzi  
con B2B Chiaravalli



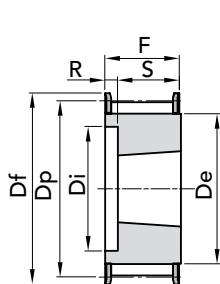




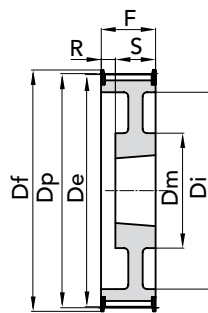
## PER CINGHIE POSITIVE

### TIPO **H 150**

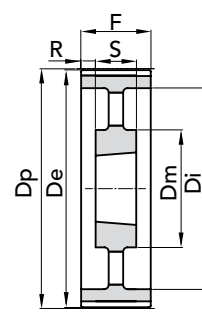
PASSO 1/2" (12.7 mm)



ESEC. 9F



ESEC. 10F



ESEC. 12

TIPO	CODICE	ESEC.	BUSS.	Foro MAX	Dp	De	Df FLANGIA	Dm MOZZO	Di	F	S	R	N. FLANGIA	Peso kg.
TL 18 H 150	43150418	9F	1210	32	72,77	71,39	79	-	52	45,0	25,0	20,0	63	0,60
TL 19 H 150	43150419	9F	1210	32	76,81	74,44	82,5	-	56	45,0	25,0	20,0	64	0,72
TL 20 H 150	43150420	9F	1210	32	80,55	79,48	87	-	60	45,0	25,0	20,0	76	0,83
TL 21 H 150	43150421	9F	1210	32	84,89	83,52	91	-	64	45,0	25,0	20,0	66	1,00
TL 22 H 150	43150422	9F	1210	32	88,94	87,56	94	-	67	45,0	25,0	20,0	67	1,25
TL 23 H 150	43150423	9F	1610	42	92,98	91,61	97	-	70	45,0	25,0	20,0	68	1,05
TL 24 H 150	43150424	9F	1610	42	97,02	95,65	102	-	73,5	45,0	25,0	20,0	70	1,10
TL 25 H 150	43150425	9F	1610	42	101,06	99,69	106	-	77	45,0	25,0	20,0	71	1,30
TL 26 H 150	43150426	9F	1610	42	105,11	103,73	112	-	82	45,0	25,0	20,0	72	1,42
TL 27 H 150	43150427	9F	1610	42	109,15	107,78	115	-	85	45,0	25,0	20,0	74	1,65
TL 28 H 150	43150428	9F	1610	42	113,19	111,82	120	-	90,5	45,0	25,0	20,0	75	1,88
TL 30 H 150	43150430	9F	1610	42	121,28	119,90	128	-	98	45,0	25,0	20,0	78	2,05
TL 32 H 150	43150432	10F	1610	42	129,36	127,99	135	80	106	45,0	25,0	20,0	80	2,35
TL 36 H 150	43150436	10F	1610	42	145,53	144,16	150	92	121	45,0	25,0	20,0	85	3,20
TL 40 H 150	43150440	10F	1610	42	161,70	160,33	168	92	138	45,0	25,0	20,0	90	4,10
TL 44 H 150	43150444	10F	2012	50	177,87	176,50	184	106	152	45,0	32,0	13,0	95	4,50
TL 48 H 150	43150448	10F	2012	50	194,04	192,67	200	106	169	45,0	32,0	13,0	100	4,80
TL 60 H 150	43150460	12	2012	50	242,55	241,18	-	106	223	46,0	32,0	7,0	-	4,51
TL 72 H 150	43150472	12	2012	50	291,06	289,69	-	106	270	46,0	32,0	7,0	-	6,16
TL 84 H 150	43150484	12	2012	50	339,57	338,20	-	106	318	46,0	32,0	7,0	-	7,40
TL 96 H 150	43150496	12	2517	60	388,08	386,71	-	119	366	46,0	45,0	0,5	-	9,87
TL 120 H 150	43150520	12	2517	60	485,10	483,73	-	119	462	46,0	45,0	0,5	-	13,5

MATERIALE **ACCIAIO**  
C 45 UNI 7845

MATERIALE **GHISA**  
G 20 UNI 5007

Disegni CAD disponibili sul sito  
[www.chiaravalli.com](http://www.chiaravalli.com)

Quantità, disponibilità e prezzi  
con B2B Chiaravalli



Le immagini non sono identificative del prodotto.

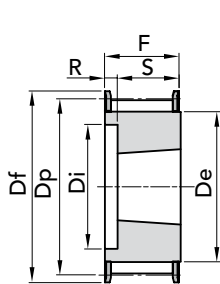
PULEGGE DENTATE TAPER LOCK® PER CINGHIE POSITIVE "FOSFATATE" H 150



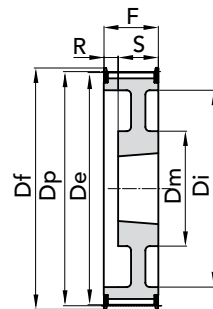
## PER CINGHIE POSITIVE

TIPO **H 200**

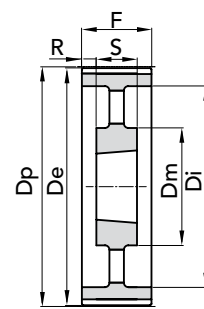
PASSO 1/2" (12.7 mm)



ESEC. 9F



ESEC. 10F



ESEC. 12

TIPO	CODICE	ESEC.	BUSS.	Foro MAX	Dp	De	Df FLANGIA	Dm MOZZO	Di	F	S	R	N. FLANGIA	Peso kg.
TL 18 H 200	43200418	9F	1210	32	72,77	71,39	79	-	52	58,0	25,0	33,0	63	0,84
TL 19 H 200	43200419	9F	1210	32	76,81	74,44	82,5	-	56	58,0	25,0	33,0	64	0,96
TL 20 H 200	43200420	9F	1610	42	80,55	79,48	87	-	62	58,0	25,0	33,0	76	0,93
TL 21 H 200	43200421	9F	1610	42	84,89	83,52	91	-	64	58,0	25,0	33,0	66	1,07
TL 22 H 200	43200422	9F	1610	42	88,94	87,56	94	-	67	58,0	25,0	33,0	67	1,25
TL 23 H 200	43200423	9F	1610	42	92,98	91,61	97	-	70	58,0	25,0	33,0	68	1,40
TL 24 H 200	43200424	9F	1610	42	97,02	95,65	102	-	73,5	58,0	25,0	33,0	70	1,55
TL 25 H 200	43200425	9F	1610	42	101,06	99,69	106	-	77	58,0	25,0	33,0	71	1,71
TL 26 H 200	43200426	9F	1610	42	105,11	103,73	112	-	82	58,0	25,0	33,0	72	1,84
TL 27 H 200	43200427	9F	1610	42	109,15	107,78	115	-	85	58,0	25,0	33,0	74	2,06
TL 28 H 200	43200428	9F	1610	42	113,19	111,82	120	-	90,5	58,0	25,0	33,0	75	2,17
TL 30 H 200	43200430	9F	1610	42	121,28	119,90	128	-	98	58,0	25,0	33,0	78	2,60
TL 32 H 200	43200432	9F	2012	50	129,36	127,99	135	-	106	58,0	32,0	26,0	80	2,95
TL 36 H 200	43200436	10F	2012	50	145,53	144,16	150	102	121	58,0	32,0	26,0	85	3,62
TL 40 H 200	43200440	10F	2012	50	161,70	160,33	168	106	138	58,0	32,0	26,0	90	4,33
TL 44 H 200	43200444	10F	2012	50	177,87	176,50	184	106	152	58,0	32,0	26,0	95	5,33
TL 48 H 200	43200448	10F	2517	60	194,04	192,67	200	119	168	58,0	45,0	13,0	100	6,47
TL 60 H 200	43200460	12	2517	60	242,55	241,18	-	119	223	60,0	45,0	7,5	-	5,86
TL 72 H 200	43200472	12	2517	60	291,06	289,69	-	119	270	60,0	45,0	7,5	-	7,42
TL 84 H 200	43200484	12	2517	60	339,57	338,20	-	119	320	60,0	45,0	7,5	-	8,73
TL 96 H 200	43200496	12	2517	60	388,08	386,71	-	119	366	60,0	45,0	7,5	-	10,83
TL 120 H 200	43200520	12	2517	60	485,10	483,73	-	119	462	60,0	45,0	7,5	-	14,95

MATERIALE **ACCIAIO**  
**C 45 UNI 7845**

MATERIALE **GHISA**  
**G 20 UNI 5007**

Disegni CAD disponibili sul sito  
[www.chiaravalli.com](http://www.chiaravalli.com)

Quantità, disponibilità e prezzi  
con B2B Chiaravalli

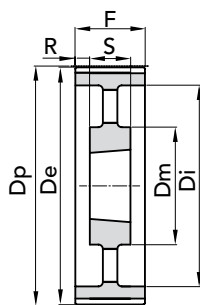




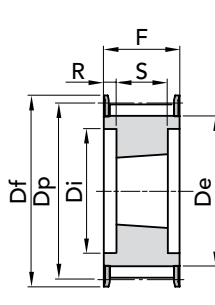
## PER CINGHIE POSITIVE

### TIPO H 300

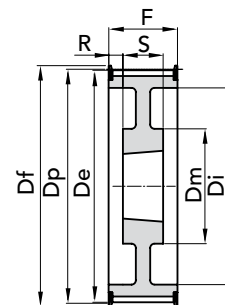
PASSO 1/2" (12.7 mm)



ESEC. 12



ESEC. 13F



ESEC. 14F

TIPO	CODICE	ESEC.	BUSS.	Foro MAX	Dp	De	Df FLANGIA	Dm MOZZO	Di	F	S	R	N. FLANGIA	Peso kg.
TL 20 H 300	43300420	13F	1615	42	80,85	79,48	87	-	64,5	84,0	38,0	23,0	76	1,22
TL 21 H 300	43300421	13F	1615	42	84,89	83,52	91	-	65	84,0	38,0	23,0	66	1,52
TL 22 H 300	43300422	13F	1615	42	88,94	87,56	94	-	67	84,0	38,0	23,0	67	1,80
TL 23 H 300	43300423	13F	1615	42	92,98	91,61	97	-	70	84,0	38,0	23,0	68	2,04
TL 24 H 300	43300424	13F	1615	42	97,02	95,65	102	-	73,5	84,0	38,0	23,0	70	2,29
TL 25 H 300	43300425	13F	1615	42	101,06	99,69	106	-	77	84,0	38,0	23,0	71	2,54
TL 26 H 300	43300426	13F	1615	42	105,11	103,73	112	-	82	84,0	38,0	23,0	72	2,73
TL 27 H 300	43300427	13F	2012	50	109,15	107,78	115	-	85	84,0	32,0	26,0	74	2,54
TL 28 H 300	43300428	13F	2012	50	113,19	111,82	120	-	90,5	84,0	32,0	26,0	75	2,68
TL 30 H 300	43300430	13F	2012	60	121,28	119,90	128	-	98	84,0	32,0	26,0	78	3,21
TL 32 H 300	43300432	13F	2517	60	129,36	127,99	135	-	106	84,0	45,0	19,5	80	3,58
TL 36 H 300	43300436	13F	2517	60	145,53	144,16	150	-	121	84,0	45,0	19,5	85	4,99
TL 40 H 300	43300440	13F	2517	60	161,70	160,33	168	-	138	84,0	45,0	19,5	90	6,50
TL 44 H 300	43300444	14F	2517	60	177,87	176,50	184	119	150	86,0	45,0	20,5	95	7,55
TL 48 H 300	43300448	14F	2517	60	194,04	192,67	200	119	165	86,0	45,0	20,5	100	8,66
TL 60 H 300	43300460	12	2517	60	242,55	241,18	-	119	223	86,0	45,0	20,5	-	7,42
TL 72 H 300	43300472	12	2517	60	291,06	289,69	-	119	270	86,0	45,0	20,5	-	9,33
TL 84 H 300	43300484	12	2517	60	339,57	338,20	-	119	320	86,0	45,0	20,5	-	11,19
TL 96 H 300	43300496	12	3030	75	388,08	386,71	-	150	362	86,0	76,0	5,0	-	17,96
TL 120 H 300	43300520	12	3030	75	485,10	483,73	-	150	460	86,0	76,0	5,0	-	22,23

PULEGGE DENTATE TAPER LOCK® PER CINGHIE POSITIVE "FOSFATATE" H 300

7

MATERIALE **ACCIAIO**  
C 45 UNI 7845

MATERIALE **GHISA**  
G 20 UNI 5007

Disegni CAD disponibili sul sito  
[www.chiaravalli.com](http://www.chiaravalli.com)

Quantità, disponibilità e prezzi  
con B2B Chiaravalli



Le immagini non sono identificative del prodotto.



# PULEGGE DENTATE HTD® CON FORO INIZIALE

Le pulegge dentate **HTD®** vengono costruite dalla CHIARAVALLI GROUP S.p.A. nei passi 3mm, 5mm, 8mm e 14mm e nelle versioni:

- a) Pulegge dentate **HTD® con foro iniziale** (Pilot Bore)
- b) Pulegge dentate **HTD® con bussola conica Taper-Lock®**

## IDENTIFICAZIONE DI UNA PULEGGIA

**34 - 8M - 50** ———— | 34 N° denti  
                                   | 8M passo in mm  
                                   | 50 larghezza cinghia

**TL 30 - 14M - 55** ———— | TL Taper Lock  
                                   | 30 N° denti  
                                   | 14M passo in mm  
                                   | 50 larghezza cinghia

## VALORI DELLA EQUILIBRATURA DELLA PULEGGIA

Le pulegge **HTD®** di nostra produzione non vengono equilibrate.

L'equilibratura si esegue al costo solo su richiesta.

Siamo in grado di equilibrare pulegge fino ad un diametro massimo di 560 mm con rilascio del certificato

## CARATTERISTICHE DELLE GOLE

DIAMETRI PULEGGE	LARGHEZZA FASCIA	MAX SQUILIBRIO IN GRAMMI
da 199 - 301	60	6
da 302 - 599	60	10
da 199 - 301	da 60 - 90	10
da 302 - 599		15
da 600 - 999		20
oltre 1000		30
da 199 - 301	da 100 - 199	20
da 302 - 599		30
da 600 - 999		40
oltre 1000		60

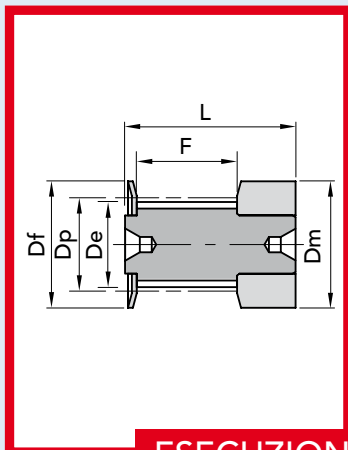
## TOLLERANZE DI COSTRUZIONE

De Puleggia	Tolleranza in mm
da Ø 0 a Ø 30	- 0 + 0.05
da Ø 31 a Ø 50	- 0 + 0.08
da Ø 51 a Ø 100	- 0 + 0.10
da Ø 101 a Ø 179	- 0 + 0.13
da Ø 180 a Ø 300	- 0 + 0.15
da Ø 301 a Ø 500	- 0 + 0.18
da Ø oltre Ø 510	- 0 + 0.20

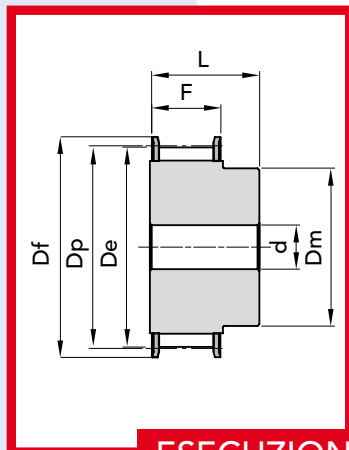
## ECCENTRICITA'

Il foro e il diametro esterno devono essere concentrici in base alle tolleranze sotto indicate

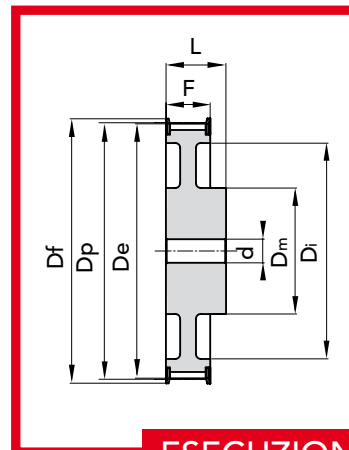
Ø esterno mm	Eccentricità totale (mm) Indicazione totale del comparatore
fino a 199	0.10
oltre 200	0.0005 per mm di Ø Questo valore non può superare la tolleranza sul Ø esterno



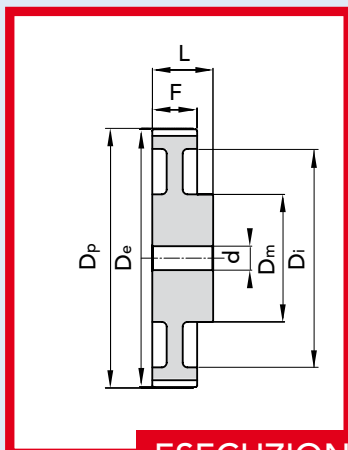
ESECUZIONE 0F



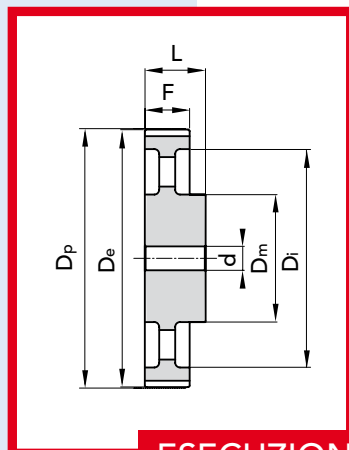
ESECUZIONE 1F



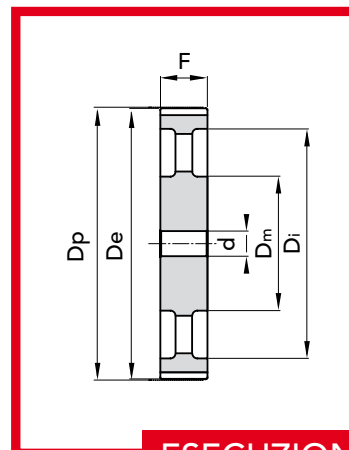
ESECUZIONE 2F



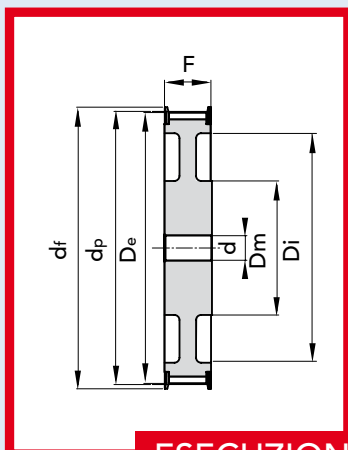
ESECUZIONE 3



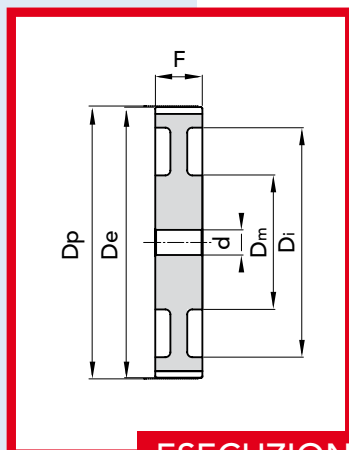
ESECUZIONE 4



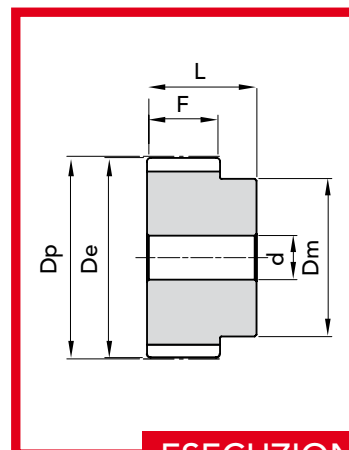
ESECUZIONE 5



ESECUZIONE 6F

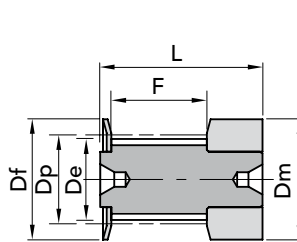


ESECUZIONE 7

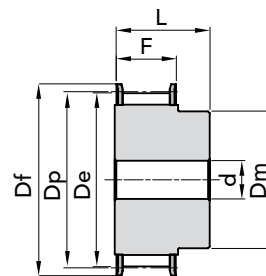


ESECUZIONE 8

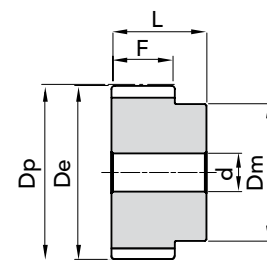



 TIPO **3M 09**


ESEC. 0F



ESEC. 1F



ESEC. 8

TIPO	CODICE	N. DENTI	ESEC.	Dp	De	Df FLANGIA	Dm MOZZO	F	L	d Ø FORO	N. FLANGIA	Peso kg.
10- 3M- 09F	40109010	10	0F	9,55	8,79	13	13	10,2	17,5	-	501	0,01
12- 3M- 09F	40109012	12	0F	11,46	10,70	15	15	10,2	17,5	-	502	0,01
14- 3M- 09F	40109014	14	0F	13,37	12,61	16	16	10,2	17,5	-	503	0,01
15- 3M- 09F	40109015	15	0F	14,32	13,56	17,5	17,5	10,2	17,5	-	516	0,01
16- 3M- 09F	40109016	16	1F	15,28	14,52	17,5	10	12,8	20,6	4	504	0,01
18- 3M- 09F	40109018	18	1F	17,19	16,43	20	11	12,8	20,6	6	505	0,01
20- 3M- 09F	40109020	20	1F	19,10	18,34	23	13	12,8	20,6	6	517	0,01
21- 3M- 09F	40109021	21	1F	20,05	19,29	25	13	12,8	20,6	6	518	0,01
22- 3M- 09F	40109022	22	1F	21,01	20,25	25	13	12,8	20,6	6	518	0,01
24- 3M- 09F	40109024	24	1F	22,92	22,16	25	13	12,8	20,6	6	518	0,02
26- 3M- 09F	40109026	26	1F	24,83	24,07	28	16	12,8	20,6	6	508	0,02
28- 3M- 09F	40109028	28	1F	26,74	25,98	32	18	12,8	20,6	6	509	0,02
30- 3M- 09F	40109030	30	1F	28,65	27,89	32	20	12,8	20,6	6	509	0,30
32- 3M- 09F	40109032	32	1F	30,56	29,80	36	22	12,8	20,6	6	510	0,30
36- 3M- 09F	40109036	36	1F	34,38	33,62	39	26	13,4	22,2	6	519	0,05
40- 3M- 09F	40109040	40	1F	38,20	37,44	42	28	13,4	22,2	6	513	0,06
44- 3M- 09F	40109044	44	1F	42,02	41,26	48	33	13,4	22,2	6	520	0,07
48- 3M- 09	40109048	48	8	45,84	45,08	-	33	13,4	22,2	8	-	0,11
60- 3M- 09	40109060	60	8	57,30	56,54	-	33	13,4	22,2	8	-	0,11
72- 3M- 09	40109072	72	8	68,75	67,99	-	33	13,4	22,2	8	-	0,15

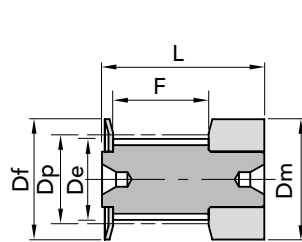
 MATERIALE **ALLUMINIO**

 Disegni CAD disponibili sul sito  
[www.chiaravalli.com](http://www.chiaravalli.com)

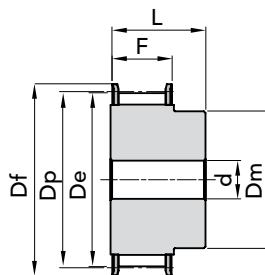
 Quantità, disponibilità e prezzi  
 con B2B Chiaravalli



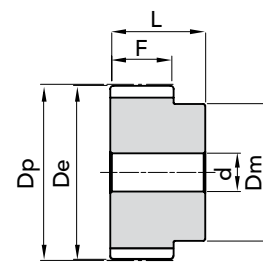

## TIPO 3M 15



ESEC. 0F



ESEC. 1F



ESEC. 8

TIPO	CODICE	N. DENTI	ESEC.	Dp	De	Df FLANGIA	Dm MOZZO	F	L	d Ø FORO	N. FLANGIA	Peso kg.
10- 3M- 15F	40115010	10	0F	9,55	8,79	13	13	17	26	-	501	0,01
12- 3M- 15F	40115012	12	0F	11,46	10,70	15	15	17	26	-	502	0,01
14- 3M- 15F	40115014	14	0F	13,37	12,61	16	16	17	26	-	503	0,01
15- 3M- 15F	40115015	15	0F	14,32	13,56	17,5	17,5	17	26	-	516	0,01
16- 3M- 15F	40115016	16	1F	15,28	14,52	17,5	10	19,5	26	4	504	0,01
18- 3M- 15F	40115018	18	1F	17,19	16,43	20	11	19,5	26	6	505	0,01
20- 3M- 15F	40115020	20	1F	19,10	18,34	23	13	19,5	26	6	517	0,01
21- 3M- 15F	40115021	21	1F	20,05	19,29	25	13	19,5	26	6	518	0,02
22- 3M- 15F	40115022	22	1F	21,01	20,25	25	13	19,5	26	6	518	0,02
24- 3M- 15F	40115024	24	1F	22,92	22,16	25	13	19,5	26	6	518	0,02
26- 3M- 15F	40115026	26	1F	24,83	24,07	28	16	19,5	26	6	508	0,03
28- 3M- 15F	40115028	28	1F	26,74	25,98	32	18	19,5	26	6	509	0,03
30- 3M- 15F	40115030	30	1F	28,65	27,89	32	20	19,5	26	6	509	0,04
32- 3M- 15F	40115032	32	1F	30,56	29,80	36	22	19,5	26	6	510	0,04
36- 3M- 15F	40115036	36	1F	34,38	33,62	39	26	20	30	6	519	0,06
40- 3M- 15F	40115040	40	1F	38,20	37,44	42	28	20	30	6	513	0,08
44- 3M- 15	40115044	44	1F	42,02	41,26	48	33	20	30	6	520	0,10
48- 3M- 15	40115048	48	8	45,84	45,08	-	33	20	30	8	-	0,10
60- 3M- 15	40115060	60	8	57,30	56,54	-	33	20	30	8	-	0,15
72- 3M- 15	40115072	72	8	68,75	67,99	-	33	20	30	8	-	0,21

MATERIALE **ALLUMINIO**

Disegni CAD disponibili sul sito  
[www.chiaravalli.com](http://www.chiaravalli.com)

Quantità, disponibilità e prezzi  
con B2B Chiaravalli



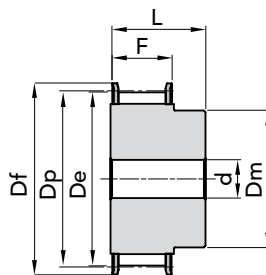
Le immagini non sono identificative del prodotto.



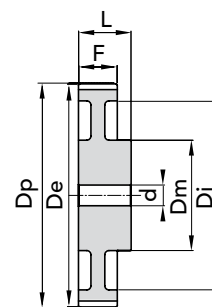
## FOSFATATE

TIPO **5M 09**

Le pulegge in alluminio non sono fosfatate



ESEC. 1F



ESEC. 3

PULEGGE DENTATE HTD® CON FORO INIZIALE "FOSFATATE" 5M 09

TIPO	CODICE	N. DENTI	ESEC.	Dp	De	Df FLANGIA	Dm MOZZO	Di	F	L	d Ø FORO	N. FLANGIA	Peso kg.
12- 5M- 09F	40209012	12	1F	19,10	17,96	23	12	-	14,5	20	4	14	0,03
14- 5M- 09F	40209014	14	1F	22,28	21,14	25	13	-	14,5	20	6	2	0,04
15- 5M- 09F	40209015	15	1F	23,37	22,73	28	16	-	14,5	20	6	4	0,05
16- 5M- 09F	40209016	16	1F	25,46	24,32	28	16,5	-	14,5	20	6	4	0,06
18- 5M- 09F	40209018	18	1F	28,65	27,51	32	20	-	14,5	20	6	6	0,07
20- 5M- 09F	40209020	20	1F	31,83	30,69	36	23	-	14,5	22,5	6	8	0,10
21- 5M- 09F	40209021	21	1F	33,42	32,28	38	24	-	14,5	22,5	6	9	0,12
22- 5M- 09F	40209022	22	1F	35,01	33,87	39	25,5	-	14,5	22,5	6	15	0,13
24- 5M- 09F	40209024	24	1F	38,20	37,06	42	27	-	14,5	22,5	6	13	0,15
26- 5M- 09F	40209026	26	1F	41,38	40,24	44	30	-	14,5	22,5	6	12	0,18
28- 5M- 09F	40209028	28	1F	44,56	43,42	48	30,5	-	14,5	22,5	6	11	0,21
30- 5M- 09F	40209030	30	1F	47,75	46,60	51	35	-	14,5	22,5	6	16	0,25
32- 5M- 09F	40209032	32	1F	50,93	49,79	54	38	-	14,5	22,5	8	18	0,28
36- 5M- 09F	40209036	36	1F	57,30	56,16	60	38	-	14,5	22,5	8	21	0,33
40- 5M- 09F	40209040	40	1F	63,66	62,52	71	38	-	14,5	22,5	8	25	0,42
44- 5M- 09	40209044	44	3	70,03	68,89	-	38	54	14,5	25,5	8	-	0,17
48- 5M- 09	40209048	48	3	76,39	75,25	-	45	61	14,5	25,5	8	-	0,18
60- 5M- 09	40209060	60	3	95,49	94,35	-	45	80	14,5	25,5	8	-	0,23
72- 5M- 09	40209072	72	3	114,59	113,45	-	45	100	14,5	25,5	8	-	0,42

MATERIALE **ACCIAIO**

MATERIALE **ALLUMINIO**

Disegni CAD disponibili sul sito  
[www.chiaravalli.com](http://www.chiaravalli.com)

Quantità, disponibilità e prezzi  
 con B2B Chiaravalli

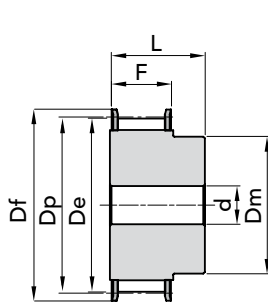




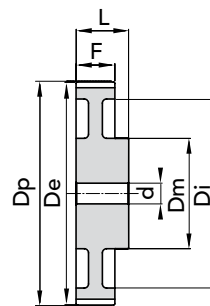
## FOSFATATE

### TIPO **5M 15**

Le pulegge in alluminio non sono fosfatate



ESEC. 1F



ESEC. 3

TIPO	CODICE	N. DENTI	ESEC.	Dp	De	Df FLANGIA	Dm MOZZO	Di	F	L	d Ø FORO	N. FLANGIA	Peso kg.
12- 5M- 15F	40215012	12	1F	19,10	17,96	23	12	-	20,5	26	-	14	0,03
14- 5M- 15F	40215014	14	1F	22,28	21,14	25	13	-	20,5	26	6	2	0,04
15- 5M- 15F	40215015	15	1F	23,37	22,73	28	16	-	20,5	26	6	4	0,05
16- 5M- 15F	40215016	16	1F	25,46	24,32	28	16,5	-	20,5	26	6	4	0,06
18- 5M- 15F	40215018	18	1F	28,65	27,51	32	20	-	20,5	26	6	6	0,09
20- 5M- 15F	40215020	20	1F	31,83	30,69	36	23	-	20,5	26	6	8	0,12
21- 5M- 15F	40215021	21	1F	33,42	32,28	38	24	-	20,5	26	6	9	0,14
22- 5M- 15F	40215022	22	1F	35,01	33,87	39	25,5	-	20,5	26	6	15	0,15
24- 5M- 15F	40215024	24	1F	38,20	37,06	42	27	-	20,5	28	6	13	0,19
26- 5M- 15F	40215026	26	1F	41,38	40,24	44	30	-	20,5	28	6	12	0,23
28- 5M- 15F	40215028	28	1F	44,56	43,42	48	30,5	-	20,5	28	6	11	0,26
30- 5M- 15F	40215030	30	1F	47,75	46,60	51	35	-	20,5	28	6	16	0,32
32- 5M- 15F	40215032	32	1F	50,93	49,79	54	38	-	20,5	28	8	18	0,35
36- 5M- 15F	40215036	36	1F	57,30	56,16	60	38	-	20,5	28	8	21	0,43
40- 5M- 15F	40215040	40	1F	63,66	62,52	71	38	-	20,5	28	8	25	0,52
44- 5M- 15	40215044	44	3	70,03	68,89	-	38	54	20,5	30	8	-	0,23
48- 5M- 15	40215048	48	3	76,39	75,25	-	38	61	20,5	30	8	-	0,29
60- 5M- 15	40215060	60	3	95,49	94,35	-	50	80	20,5	30	8	-	0,30
72- 5M- 15	40215072	72	3	114,59	113,45	-	50	100	20,5	30	8	-	0,59

PULEGGE DENTATE HTD® CON FORO INIZIALE "FOSFATATE" 5M 15

7

MATERIALE **ACCIAIO**

MATERIALE **ALLUMINIO**

Disegni CAD disponibili sul sito  
[www.chiaravalli.com](http://www.chiaravalli.com)

Quantità, disponibilità e prezzi  
con B2B Chiaravalli



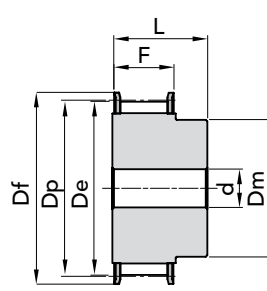
Le immagini non sono identificative del prodotto.



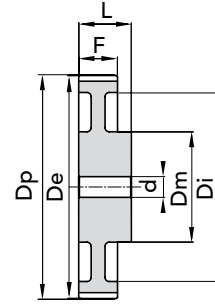
## FOSFATE

### TIPO 5M 25

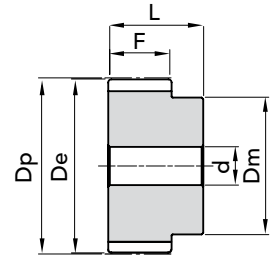
Le pulegge in alluminio non sono fosfatate



ESEC. 1F



ESEC. 3



ESEC. 8

TIPO	CODICE	N. DENTI	ESEC.	Dp	De	Df FLANGIA	Dm MOZZO	Di	F	L	d Ø FORO	N. FLANGIA	Peso kg.
12- 5M- 25F	40225012	12	1F	19,10	17,96	23	12	-	30,5	36	-	14	0,05
14- 5M- 25F	40225014	14	1F	22,28	21,14	25	13	-	30,5	36	6	2	0,08
15- 5M- 25F	40225015	15	1F	23,87	22,73	28	16	-	30,5	36	6	4	0,09
16- 5M- 25F	40225016	16	1F	25,46	24,32	28	16,5	-	30,5	36	6	4	0,11
18- 5M- 25F	40225018	18	1F	28,65	27,51	32	20	-	30,5	36	6	6	0,13
20- 5M- 25F	40225020	20	1F	31,83	30,69	36	23	-	30,5	36	6	8	0,17
21- 5M- 25F	40225021	21	1F	33,42	32,28	38	24	-	30,5	38	6	9	0,20
22- 5M- 25F	40225022	22	1F	35,01	33,87	39	25,5	-	30,5	38	6	15	0,22
24- 5M- 25F	40225024	24	1F	38,20	37,06	42	27	-	30,5	38	6	13	0,26
26- 5M- 25F	40225026	26	1F	41,38	40,24	44	30	-	30,5	38	6	12	0,32
28- 5M- 25F	40225028	28	1F	44,56	43,42	48	30,5	-	30,5	38	6	11	0,37
30- 5M- 25F	40225030	30	1F	47,75	46,60	51	35	-	30,5	38	6	16	0,42
32- 5M- 25F	40225032	32	1F	50,93	49,79	54	38	-	30,5	38	8	18	0,48
36- 5M- 25F	40225036	36	1F	57,30	56,16	60	38	-	30,5	38	8	21	0,59
40- 5M- 25F	40225040	40	1F	63,66	62,52	71	38	-	30,5	38	8	25	0,75
44- 5M- 25	40225044	44	8	70,03	68,89	-	38	-	30,5	40	8	-	0,32
48- 5M- 25	40225048	48	3	76,39	75,25	-	38	61	30,5	40	8	-	0,28
60- 5M- 25	40225060	60	3	95,49	94,35	-	50	80	30,5	40	8	-	0,44
72- 5M- 25	40225072	72	3	114,59	113,45	-	50	100	30,5	40	8	-	0,85

MATERIALE ACCIAIO

MATERIALE ALLUMINIO

Disegni CAD disponibili sul sito  
[www.chiaravalli.com](http://www.chiaravalli.com)

Quantità, disponibilità e prezzi  
 con B2B Chiaravalli

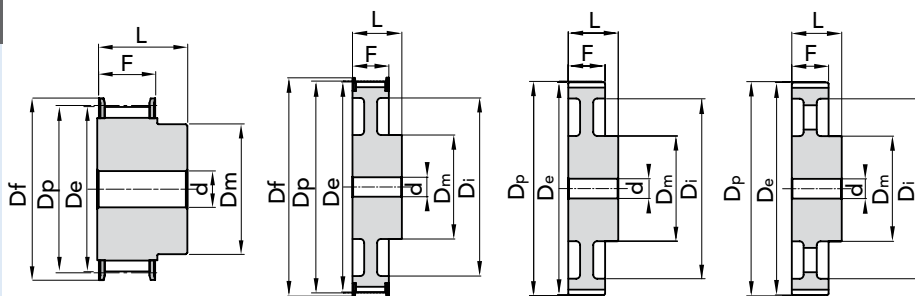






FOSFATATE

TIPO **8M 20**



ESEC. 1F

ESEC. 2F

ESEC. 3

ESEC. 4

TIPO	CODICE	N. DENTI	ESEC.	Dp	De	Df FLANGIA	Dm MOZZO	Di	F	L	d Ø FORO	N. FLANGIA	Peso kg.
22- 8M- 20F	40420022	22	1F	56,02	54,65	60	43	-	28	38	12	53	0,54
24- 8M- 20F	40420024	24	1F	61,12	59,75	66	45	-	28	38	12	69	0,65
26- 8M- 20F	40420026	26	1F	66,21	64,85	70	48	-	28	38	12	61	0,80
28- 8M- 20F	40420028	28	1F	71,30	70,08	75	50	-	28	38	15	79	0,88
30- 8M- 20F	40420030	30	1F	76,39	75,13	82,5	55	-	28	38	15	64	1,00
32- 8M- 20F	40420032	32	1F	81,49	80,16	87	60	-	28	38	15	76	1,20
34- 8M- 20F	40420034	34	1F	86,58	85,22	91	66	-	28	38	15	66	1,40
36- 8M- 20F	40420036	36	1F	91,67	90,30	97	70	-	28	38	15	68	1,60
38- 8M- 20F	40420038	38	1F	96,77	95,39	102	75	-	28	38	15	70	1,70
40- 8M- 20F	40420040	40	1F	101,86	100,49	106	75	-	28	38	15	77	1,85
44- 8M- 20F	40420044	44	1F	112,05	110,67	120	75	-	28	38	15	75	2,10
48- 8M- 20F	40420048	48	1F	122,23	120,86	128	75	-	28	38	15	78	2,50
56- 8M- 20F	40420056	56	2F	142,60	141,23	150	80	116	28	38	15	85	2,82
64- 8M- 20F	40420064	64	2F	162,97	161,60	168	80	137	28	38	15	90	3,22
72- 8M- 20F	40420072	72	2F	183,35	181,97	192	80	158	28	38	15	97	3,74
80- 8M- 20	40420080	80	3	203,72	202,35	-	90	180	28	38	15	-	3,78
90- 8M- 20	40420090	90	3	229,18	227,81	-	90	204	28	38	15	-	4,57
112- -8M- 20	a richiesta	112	4	285,21	283,83	-	90	254	28	38	18	-	-
144- 8M- 20	40420144	144	4	366,69	365,32	-	90	336	28	38	20	-	5,20
168- 8M- 20	a richiesta	168	4	427,81	426,44	-	100	400	28	38	20	-	-
192- 8M- 21	a richiesta	192	4	488,92	487,55	-	100	460	28	38	20	-	-

PULEGGE DENTATE HTD® CON FORO INIZIALE "FOSFATATE" 8M 20

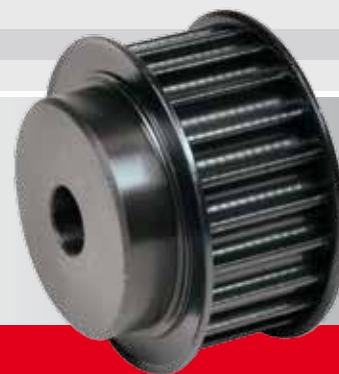
7

MATERIALE **ACCIAIO**

MATERIALE **GHISA**

Disegni CAD disponibili sul sito  
[www.chiaravalli.com](http://www.chiaravalli.com)

Quantità, disponibilità e prezzi  
con B2B Chiaravalli

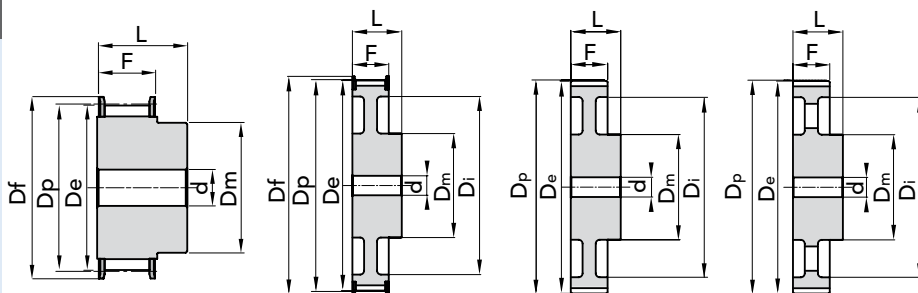


Le immagini non sono identificative del prodotto.



## FOSFATATE

### TIPO 8M 30



ESEC. 1F

ESEC. 2F

ESEC. 3

ESEC. 4

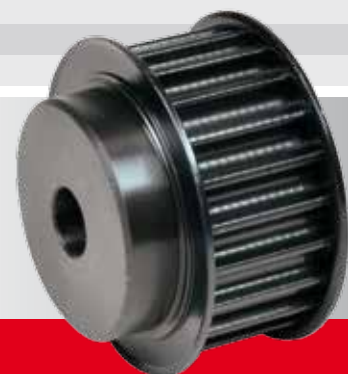
TIPO	CODICE	N. DENTI	ESEC.	Dp	De	Df FLANGIA	Dm MOZZO	Di	F	L	d Ø FORO	N. FLANGIA	Peso kg.
22- 8M- 30F	40430022	22	1F	56,02	54,65	60	43	-	38	48	12	53	0,75
24- 8M- 30F	40430024	24	1F	61,12	59,75	66	45	-	38	48	12	69	0,90
26- 8M- 30F	40430026	26	1F	66,21	64,85	70	48	-	38	48	12	61	1,10
28- 8M- 30F	40430028	28	1F	71,30	70,08	75	50	-	38	48	15	79	1,20
30- 8M- 30F	40430030	30	1F	76,39	75,13	82,5	55	-	38	48	15	73	1,32
32- 8M- 30F	40430032	32	1F	81,49	80,16	87	60	-	38	48	15	76	1,55
34- 8M- 30F	40430034	34	1F	86,58	85,22	91	66	-	38	48	15	66	1,80
36- 8M- 30F	40430036	36	1F	91,67	90,30	97	70	-	38	48	15	68	2,10
38- 8M- 30F	40430038	38	1F	96,77	95,39	102	75	-	38	48	15	70	2,30
40- 8M- 30F	40430040	40	1F	101,86	100,49	106	75	-	38	48	15	77	2,47
44- 8M- 30F	40430044	44	1F	112,05	110,67	120	75	-	38	48	15	75	2,95
48- 8M- 30F	40430048	48	1F	122,23	120,86	128	75	-	38	48	15	78	3,30
56- 8M- 30F	40430056	56	2F	142,60	141,23	150	90	116	38	48	15	85	4,02
64- 8M- 30F	40430064	64	2F	162,97	161,60	168	90	137	38	48	15	90	4,60
72- 8M- 30F	40430072	72	2F	183,35	181,97	192	95	158	38	48	15	97	5,41
80- 8M- 30	40430080	80	3	203,72	202,35	-	100	180	38	48	15	-	5,23
90- 8M- 30	40430090	90	3	229,18	227,81	-	100	204	38	48	15	-	6,42
112- 8M- 30	40430112	112	4	285,21	283,83	-	100	254	38	48	18	-	8,12
144- 8M- 30	40430144	144	4	366,69	365,32	-	100	336	38	48	20	-	10,36
168- 8M- 30	40430168	168	4	427,81	426,44	-	100	400	38	48	20	-	12,37
192- 8M- 30	40430192	192	4	488,92	487,55	-	100	460	38	48	20	-	14,31

MATERIALE ACCIAIO

MATERIALE GHISA

Disegni CAD disponibili sul sito  
[www.chiaravalli.com](http://www.chiaravalli.com)

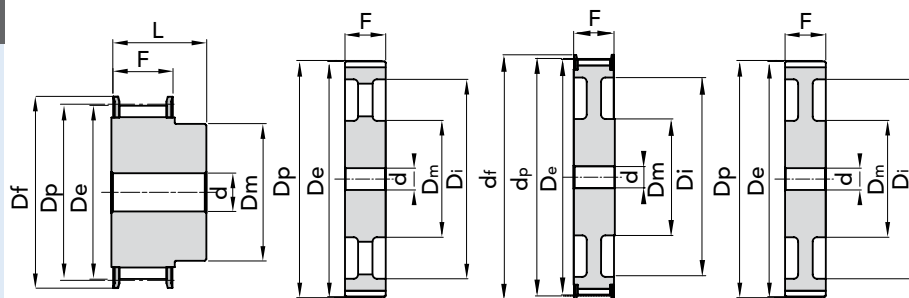
Quantità, disponibilità e prezzi  
 con B2B Chiaravalli





FOSFATATE

TIPO **8M 50**



ESEC. 1F

ESEC. 5

ESEC. 6F

ESEC. 7

TIPO	CODICE	N. DENTI	ESEC.	Dp	De	Df FLANGIA	Dm MOZZO	Di	F	L	d Ø FORO	N. FLANGIA	Peso kg.
22- 8M- 50F	40450022	22	1F	56,02	54,65	60	43	-	60	70	-	53	1,10
24- 8M- 50F	40450024	24	1F	61,12	59,75	66	45	-	60	70	-	69	1,20
26- 8M- 50F	40450026	26	1F	66,21	64,85	70	48	-	60	70	-	61	1,60
28- 8M- 50F	40450028	28	1F	71,30	70,08	75	50	-	60	70	-	79	1,70
30- 8M- 50F	40450030	30	1F	76,39	75,13	82,5	55	-	60	70	-	73	2,00
32- 8M- 50F	40450032	32	1F	81,49	80,16	87	60	-	60	70	-	76	2,35
34- 8M- 50F	40450034	34	1F	86,58	85,22	91	66	-	60	70	-	66	2,80
36- 8M- 50F	40450036	36	1F	91,67	90,30	97	70	-	60	70	-	68	3,10
38- 8M- 50F	40450038	38	1F	96,77	95,39	102	75	-	60	70	-	70	3,30
40- 8M- 50F	40450040	40	1F	101,86	100,49	106	75	-	60	70	-	77	3,60
44- 8M- 50F	40450044	44	1F	112,05	110,67	120	75	-	60	70	-	75	4,40
48- 8M- 50F	40450048	48	1F	122,23	120,86	128	80	-	60	70	-	78	5,00
56- 8M- 50F	40450056	56	6F	142,60	141,23	150	90	116	60	60	18	85	5,68
64- 8M- 50F	40450064	64	6F	162,97	161,60	168	100	137	60	60	18	90	6,93
72- 8M- 50F	40450072	72	6F	183,35	181,97	192	100	158	60	60	18	97	7,95
80- 8M- 50	40450080	80	7	203,72	202,35	-	110	180	60	60	18	-	7,96
90- 8M- 50	40450090	90	7	229,18	227,81	-	110	204	60	60	18	-	9,20
112- 8M- 50	40450112	112	5	285,21	283,83	-	110	254	60	60	18	-	12,16
144- 8M- 50	40450144	144	5	366,69	365,32	-	110	336	60	60	20	-	15,68
168- 8M- 50	40450168	168	5	427,81	426,44	-	120	400	60	60	20	-	18,99
192- 8M- 50	40450192	192	5	488,92	487,55	-	130	460	60	60	20	-	21,09

PULEGGE DENTATE HTD® CON FORO INIZIALE "FOSFATATE" 8M 50

7

MATERIALE **ACCIAIO**

MATERIALE **GHISA**

Disegni CAD disponibili sul sito  
[www.chiaravalli.com](http://www.chiaravalli.com)

Quantità, disponibilità e prezzi  
con B2B Chiaravalli

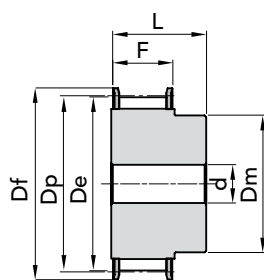


Le immagini non sono identificative del prodotto.

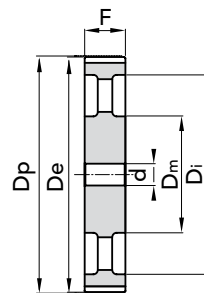


## FOSFATATE

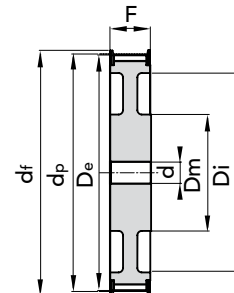
### TIPO 8M 85



ESEC. 1F



ESEC. 5



ESEC. 6F

PULEGGE DENTATE HTD® CON FORO INIZIALE "FOSFATATE" 8M 85

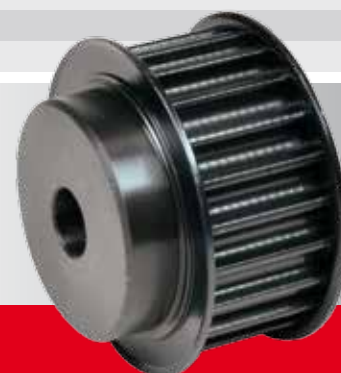
TIPO	CODICE	N. DENTI	ESEC.	Dp	De	Df FLANGIA	Dm MOZZO	Di	F	L	d Ø FORO	N. FLANGIA	Peso kg.
22- 8M- 85F	40485022	22	1F	56,02	54,65	60	43	-	95	105	-	53	1,60
24- 8M- 85F	40485024	24	1F	61,12	59,75	66	45	-	95	105	-	69	1,95
26- 8M- 85F	40485026	26	1F	66,21	64,85	70	48	-	95	105	-	61	2,30
28- 8M- 85F	40485028	28	1F	71,30	70,08	75	50	-	95	105	-	79	2,60
30- 8M- 85F	40485030	30	1F	76,39	75,13	82,5	55	-	95	105	-	73	3,10
32- 8M- 85F	40485032	32	1F	81,49	80,16	87	60	-	95	105	-	76	3,70
34- 8M- 85F	40485034	34	1F	86,58	85,22	91	66	-	95	105	-	66	4,00
36- 8M- 85F	40485036	36	1F	91,67	90,30	97	70	-	95	105	-	68	4,70
38- 8M- 85F	40485038	38	1F	96,77	95,39	102	75	-	95	105	-	70	5,10
40- 8M- 85F	40485040	40	1F	101,86	100,49	106	75	-	95	105	-	77	5,40
44- 8M- 85F	40485044	44	1F	112,05	110,67	120	75	-	95	105	-	75	6,70
48- 8M- 85F	40485048	48	1F	122,23	120,86	128	80	-	95	105	-	78	7,20
56- 8M- 85F	40485056	56	1F	142,60	141,23	150	90	-	95	105	20	85	11,48
64- 8M- 85F	40485064	64	6F	162,97	161,60	168	100	137	95	95	20	90	11,02
72- 8M- 85F	40485072	72	6F	183,35	181,97	192	100	158	95	95	20	97	13,45
80- 8M- 85	40485080	80	5	203,72	202,35	-	110	180	95	95	20	-	12,36
90- 8M- 85	40485090	90	5	229,18	227,81	-	110	204	95	95	20	-	14,38
112- 8M- 85	40485112	112	5	285,21	283,83	-	110	254	95	95	24	-	18,66
144- 8M- 85	40485144	144	5	366,69	365,32	-	110	336	95	95	24	-	23,00
168- 8M- 85	a richiesta	168	5	427,81	426,44	-	120	400	95	95	24	-	-
192- 8M- 85	a richiesta	192	5	488,92	487,55	-	130	460	95	95	24	-	-

MATERIALE ACCIAIO

MATERIALE GHISA

Disegni CAD disponibili sul sito  
[www.chiaravalli.com](http://www.chiaravalli.com)

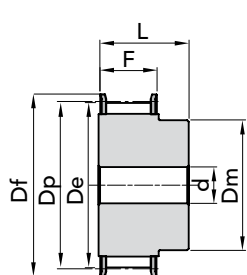
Quantità, disponibilità e prezzi  
 con B2B Chiaravalli



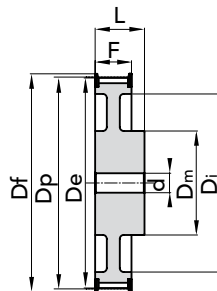


FOSFATATE

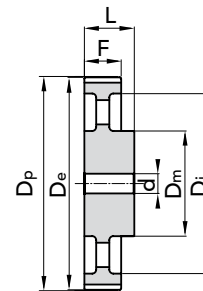
TIPO **14M 40**



ESEC. 1F



ESEC. 2F



ESEC. 4

TIPO	CODICE	N. DENTI	ESEC.	Dp	De	Df FLANGIA	Dm MOZZO	Di	F	L	d Ø FORO	N. FLANGIA	Peso kg.
28-14M- 40F	40640028	28	1F	124,78	122,12	128	100	-	54	69	24	153	4,80
29-14M- 40F	40640029	29	1F	129,23	126,57	138	100	-	54	69	24	154	5,20
30-14M- 40F	40640030	30	1F	133,69	130,99	138	100	-	54	69	24	154	5,60
32-14M- 40F	40640032	32	1F	142,60	139,88	154	100	-	54	69	24	160	6,20
34-14M- 40F	40640034	34	1F	151,52	148,79	160	100	-	54	69	24	166	6,90
36-14M- 40F	40640036	36	1F	160,43	157,68	168	100	-	54	69	24	168	7,70
38-14M- 40F	40640038	38	1F	169,34	166,60	183	120	-	54	69	24	172	8,90
40-14M- 40F	40640040	40	1F	178,25	175,49	188	120	-	54	69	24	162	9,80
44-14M- 40F	40640044	44	1F	196,08	193,28	211	120	-	54	69	24	175	12,00
48-14M- 40F	40640048	48	2F	213,90	211,11	226	135	170	54	69	24	180	11,98
56-14M- 40F	40640056	56	2F	249,55	246,76	256	135	207	54	69	28	182	14,01
64-14M- 40F	40640064	64	2F	285,21	282,41	296	135	240	54	69	28	184	16,65
72-14M- 40	40640072	72	4	320,86	318,06	-	135	278	54	69	28	-	15,52
80-14M- 40	40640080	80	4	356,51	353,71	-	135	314	54	69	28	-	17,23
90-14M- 40	40640090	90	4	401,07	398,28	-	135	358	54	69	28	-	19,40
112-14M- 40	40640112	112	4	499,11	496,32	-	135	456	54	69	28	-	24,14
144-14M-40	a richiesta	144	4	641,71	638,92	-	135	600	54	69	28	-	-
168-14M-40	a richiesta	168	4	748,66	745,87	-	135	706	54	69	28	-	-
192-14M-40	a richiesta	192	4	855,62	852,82	-	135	813	54	69	28	-	-
216-14M-40	a richiesta	216	4	962,57	959,76	-	150	920	54	69	28	-	-

MATERIALE **ACCIAIO**

MATERIALE **GHISA**

Disegni CAD disponibili sul sito  
[www.chiaravalli.com](http://www.chiaravalli.com)

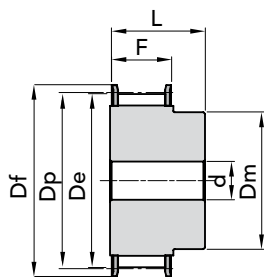
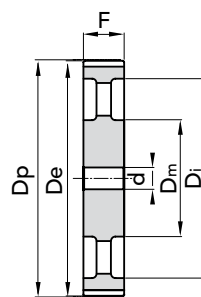
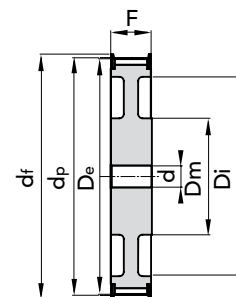
Quantità, disponibilità e prezzi  
con B2B Chiaravalli



Le immagini non sono identificative del prodotto.

PULEGGE DENTATE HTD® CON FORO INIZIALE "FOSFATATE" 14M 40




**FOSFATE**
**TIPO 14M 55**

**ESEC. 1F**

**ESEC. 5**

**ESEC. 6F**

TIPO	CODICE	N. DENTI	ESEC.	Dp	De	Df FLANGIA	Dm MOZZO	Di	F	L	d Ø FORO	N. FLANGIA	Peso kg.
28-14M-55F	40655028	28	1F	124,78	122,12	128	100	-	70	85	24	153	5,70
29-14M-55F	40655029	29	1F	129,23	126,57	138	100	-	70	85	24	154	6,40
30-14M-55F	40655030	30	1F	133,69	130,99	138	100	-	70	85	24	154	7,10
32-14M-55F	40655032	32	1F	142,60	139,88	154	100	-	70	85	24	160	7,90
34-14M-55F	40655034	34	1F	151,52	148,79	160	100	-	70	85	24	166	9,33
36-14M-55F	40655036	36	1F	160,43	157,68	168	100	-	70	85	24	168	10,49
38-14M-55F	40655038	38	1F	169,34	166,60	183	120	-	70	85	24	172	12,11
39-14M-55F													
40-14M-55F	40655040	40	1F	178,25	175,49	188	120	-	70	85	24	162	13,00
44-14M-55F	40655044	44	1F	196,08	193,28	211	120	-	70	85	24	175	16,12
48-14M-55F	40655048	48	6F	213,90	211,11	226	135	170	70	70	24	180	13,50
56-14M-55F	40655056	56	6F	249,55	246,76	256	135	207	70	70	28	182	15,78
64-14M-55F	40655064	64	6F	285,21	282,41	296	135	240	70	70	28	184	19,04
72-14M-55	40655072	72	5	320,86	318,06	-	135	278	70	70	28	-	18,41
80-14M-55	40655080	80	5	356,51	353,71	-	135	314	70	70	28	-	20,27
90-14M-55	40655090	90	5	401,07	398,28	-	135	358	70	70	28	-	22,98
112-14M-55	40655112	112	5	499,11	496,32	-	135	456	70	70	28	-	29,29
144-14M-55	40655144	144	5	641,71	638,92	-	135	600	70	70	28	-	36,00
168-14M-55	40655168	168	5	748,66	745,87	-	135	706	70	70	28	-	40,00
192-14M-55	40655192	192	5	855,62	852,82	-	135	813	70	70	28	-	47,50
216-14M-55	a richiesta	216	5	962,57	959,76	-	150	920	70	70	28	-	-

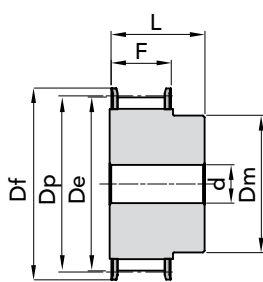
**MATERIALE ACCIAIO**
**MATERIALE GHISA**

 Disegni CAD disponibili sul sito  
[www.chiaravalli.com](http://www.chiaravalli.com)
**Quantità, disponibilità e prezzi  
 con B2B Chiaravalli**

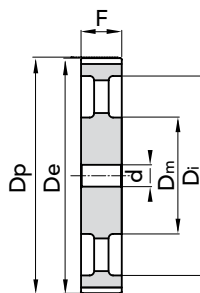



## FOSFATATE

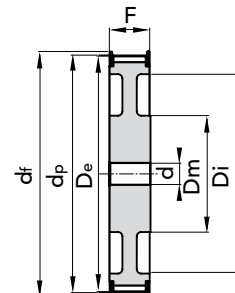
### TIPO 14M 85



ESEC. 1F



ESEC. 5



ESEC. 6F

TIPO	CODICE	N. DENTI	ESEC.	Dp	De	Df FLANGIA	Dm MOZZO	Di	F	L	d Ø FORO	N. FLANGIA	Peso kg.
28-14M- 85F	40685028	28	1F	124,78	122,12	128	100	-	102	117	-	153	8,77
29-14M- 85F	a richiesta	29	1F	129,23	126,57	138	100	-	102	117	-	154	-
30-14M- 85F	40685030	30	1F	133,69	130,99	138	100	-	102	117	-	154	9,45
32-14M- 85F	40685032	32	1F	142,60	139,88	154	100	-	102	117	-	160	10,13
34-14M- 85F	40685034	34	1F	151,52	148,79	160	100	-	102	117	-	166	11,65
36-14M- 85F	40685036	36	1F	160,43	157,68	168	100	-	102	117	-	168	14,48
38-14M- 85F	40685038	38	1F	169,34	166,60	183	120	-	102	117	-	172	16,62
40-14M- 85F	40685040	40	1F	178,25	175,49	188	135	-	102	117	-	162	18,84
44-14M- 85F	40685044	44	1F	196,08	193,28	211	135	-	102	117	-	175	23,00
48-14M- 85F	40685048	48	1F	213,90	211,11	226	150	-	102	117	-	180	27,58
56-14M- 85F	40685056	56	6F	249,55	246,76	256	150	207	102	102	32	182	24,19
64-14M- 85F	40685064	64	6F	285,21	282,41	296	150	240	102	102	32	184	28,57
72-14M- 85	40685072	72	5	320,86	318,06	-	150	278	102	102	32	-	28,26
80-14M- 85	40685080	80	5	356,51	353,71	-	150	314	102	102	32	-	31,00
90-14M- 85	40685090	90	5	401,07	398,28	-	150	358	102	102	32	-	35,00
112-14M- 85	40685112	112	5	499,11	496,32	-	150	456	102	102	32	-	43,50
144-14M- 85	40685144	144	5	641,71	638,92	-	150	600	102	102	32	-	50,00
168-14M- 85	40685168	168	5	748,66	745,87	-	150	706	102	102	32	-	63,00
192-14M- 85	40685192	192	5	855,62	852,82	-	165	813	102	102	32	-	76,00
216-14M- 85	a richiesta	216	5	962,57	959,76	-	165	920	102	102	32	-	-

MATERIALE **ACCIAIO**

MATERIALE **GHISA**

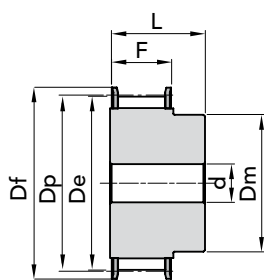
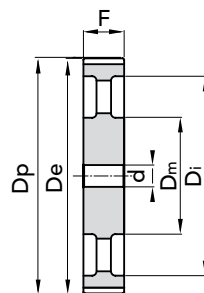
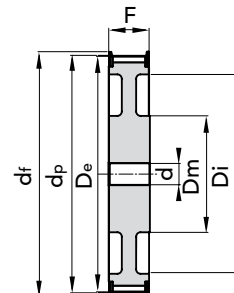
Disegni CAD disponibili sul sito  
[www.chiaravalli.com](http://www.chiaravalli.com)

Quantità, disponibilità e prezzi  
con B2B Chiaravalli



Le immagini non sono identificative del prodotto.

PULEGGE DENTATE HTD® CON FORO INIZIALE "FOSFATATE" 14M 85


**FOSFATATE**
**TIPO 14M 115**

**ESEC. 1F**

**ESEC. 5**

**ESEC. 6F**

TIPO	CODICE	N. DENTI	ESEC.	Dp	De	Df FLANGIA	Dm MOZZO	Di	F	L	d Ø FORO	N. FLANGIA	Peso kg.
28-14M- 115F	40690028	28	1F	124,78	122,12	128	100	-	133	148	-	153	11,00
29-14M- 115F	a richiesta	29	1F	129,23	126,57	138	100	-	133	148	-	154	-
30-14M- 115F	40690030	30	1F	133,69	130,99	138	100	-	133	148	-	154	12,52
32-14M- 115F	40690032	32	1F	142,60	139,88	154	100	-	133	148	-	160	14,48
34-14M- 115F	40690034	34	1F	151,52	148,79	160	100	-	133	148	-	166	16,45
36-14M- 115F	40690036	36	1F	160,43	157,68	168	120	-	133	148	-	168	18,99
38-14M- 115F	40690038	38	1F	169,34	166,60	183	120	-	133	148	-	172	21,31
40-14M- 115F	40690040	40	1F	178,25	175,49	188	135	-	133	148	-	162	24,04
44-14M- 115F	40690044	44	1F	196,08	193,28	211	140	-	133	148	-	175	29,00
48-14M- 115F	40690048	48	1F	213,90	211,11	226	150	-	133	148	-	180	35,00
56-14M- 115F	40690056	56	1F	249,55	246,76	256	150	-	133	148	-	182	48,00
64-14M- 115F	40690064	64	6F	285,21	282,41	296	150	240	133	133	32	184	36,00
72-14M- 115	40690072	72	5	320,86	318,06	-	150	278	133	133	32	-	36,00
80-14M- 115	40690080	80	5	356,51	353,71	-	150	314	133	133	32	-	40,00
90-14M- 115	40690090	90	5	401,07	398,28	-	150	358	133	133	32	-	45,00
112-14M- 115	40690112	112	5	499,11	496,32	-	150	456	133	133	32	-	55,50
144-14M- 115	40690144	144	5	641,71	638,92	-	165	600	133	133	32	-	71,00
168-14M- 115	40690168	168	5	748,66	745,87	-	165	706	133	133	32	-	83,00
192-14M- 115	40690192	192	5	855,62	852,82	-	165	813	133	133	32	-	96,00
216-14M- 115	a richiesta	216	5	962,57	959,76	-	165	920	133	133	32	-	-

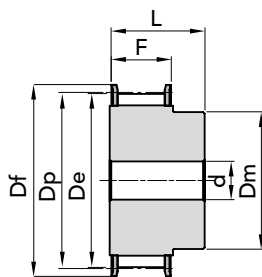
**MATERIALE ACCIAIO**
**MATERIALE GHISA**

 Disegni CAD disponibili sul sito  
[www.chiaravalli.com](http://www.chiaravalli.com)
**Quantità, disponibilità e prezzi  
 con B2B Chiaravalli**

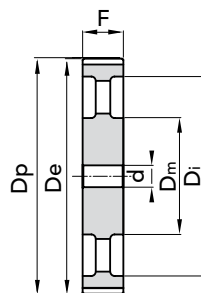



FOSFATATE

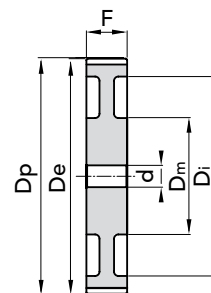
TIPO **14M 170**



ESEC. 1F



ESEC. 5



ESEC. 7

TIPO	CODICE	N. DENTI	ESEC.	Dp	De	Df FLANGIA	Dm MOZZO	Di	F	L	d Ø FORO	N. FLANGIA	Peso kg.
28-14M- 170F	40692028	28	1F	124,78	122,12	128	100	-	187	202	-	153	14,79
29-14M- 170F	a richiesta	29	1F	129,23	126,57	138	100	-	187	202	-	154	-
30-14M- 170F	40692030	30	1F	133,69	130,99	138	100	-	187	202	-	154	17,24
32-14M- 170F	40692032	32	1F	142,60	139,88	154	100	-	187	202	-	160	19,92
34-14M- 170F	40692034	34	1F	151,52	148,79	160	100	-	187	202	-	166	22,72
36-14M- 170F	40692036	36	1F	160,43	157,68	168	120	-	187	202	-	168	26,07
38-14M- 170F	40692038	38	1F	169,34	166,60	183	135	-	187	202	-	172	29,71
40-14M- 170F	40692040	40	1F	178,25	175,49	188	140	-	187	202	-	162	33,50
44-14M- 170F	a richiesta	44	1F	196,08	193,28	211	160	-	187	202	-	175	-
48-14M- 170F	a richiesta	48	1F	213,90	211,11	226	160	-	187	202	-	180	-
56-14M- 170F	a richiesta	56	1F	249,55	246,76	256	160	-	187	202	-	182	-
64-14M- 170F	a richiesta	64	1F	285,21	282,41	296	180	-	187	202	-	184	-
72-14M- 170	a richiesta	72	7	320,86	318,06	-	180	278	187	187	32	-	-
80-14M- 170	40692080	80	7	356,51	353,71	-	180	314	187	187	32	-	71,00
90-14M- 170	40692090	90	5	401,07	398,28	-	180	358	187	187	38	-	73,00
112-14M- 170	40692112	112	5	499,11	496,32	-	200	456	187	187	38	-	95,00
144-14M- 170	40692144	144	5	641,71	638,92	-	220	600	187	187	38	-	114,00
168-14M- 170	40692168	168	5	748,66	745,87	-	220	706	187	187	38	-	142,00
192-14M- 170	a richiesta	192	5	855,61	852,82	-	220	813	187	187	38	-	-
216-14M- 170	a richiesta	216	5	962,57	959,76	-	220	920	187	187	38	-	-

PULEGGE DENTATE HTD® CON FORO INIZIALE "FOSFATATE" 14M 170

MATERIALE **ACCIAIO**

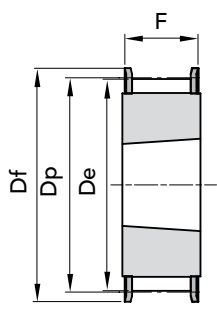
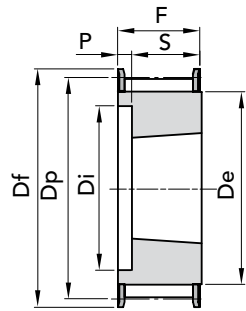
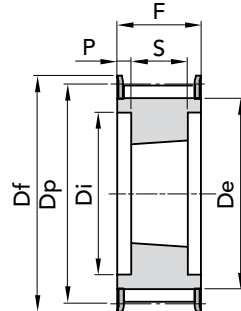
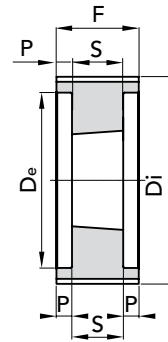
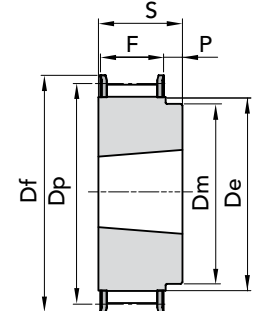
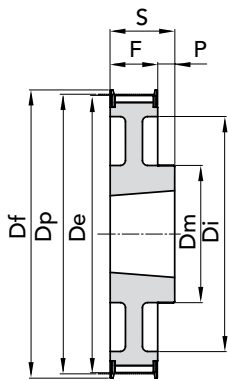
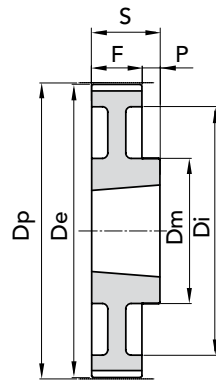
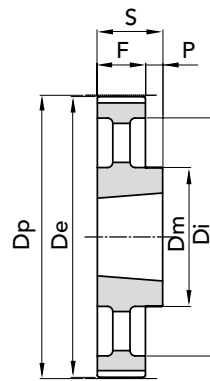
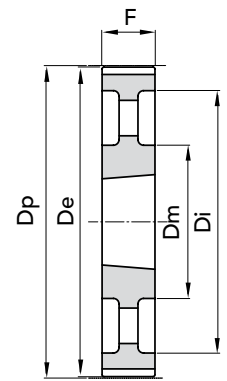
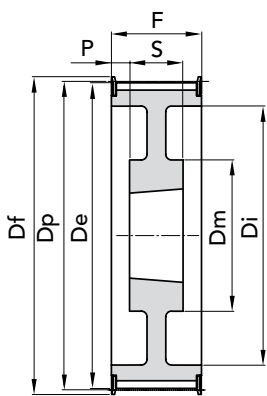
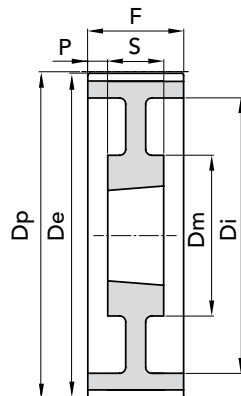
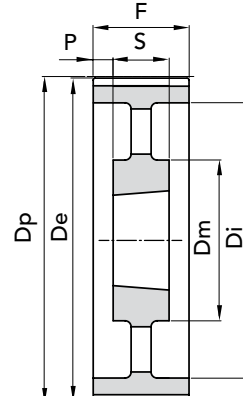
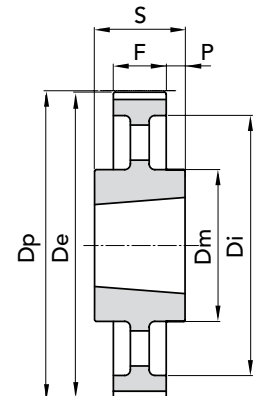
MATERIALE **GHISA**

Disegni CAD disponibili sul sito  
[www.chiaravalli.com](http://www.chiaravalli.com)

Quantità, disponibilità e prezzi  
con B2B Chiaravalli



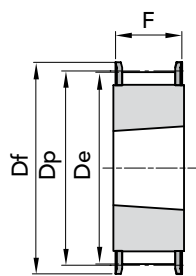
Le immagini non sono identificative del prodotto.


**ESEC. 1F**

**ESEC. 2F**

**ESEC. 3F**

**ESEC. 4**

**ESEC. 5F**

**ESEC. 6F**

**ESEC. 7**

**ESEC. 8**

**ESEC. 9**

**ESEC. 10F**

**ESEC. 11**

**ESEC. 12**

**ESEC. 13**

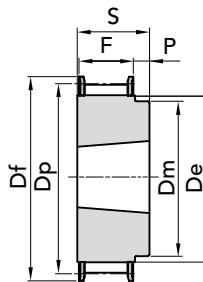




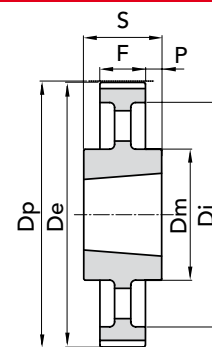
## TIPO 5M 15



ESEC. 1F



ESEC. 5F



ESEC. 13

TIPO	CODICE	N. DENTI	ESEC.	BUSS.	FORO MAX	Dp	De	Df	Dm	Ø Di	F	S	P	N. FLANGIA	Peso kg.
TL 34- 5M- 15	41215034	34	1F	1008	25	54,11	52,97	57	-	-	22	22	-	20	0,20
TL 36- 5M- 15	41215036	36	1F	1108	25	57,30	56,15	60	-	-	22	22	-	21	0,25
TL 38- 5M- 15	41215038	38	1F	1108	25	60,48	59,34	66,5	-	-	22	22	-	24	0,30
TL 40- 5M- 15	41215040	40	1F	1108	25	63,66	62,52	71	-	-	22	22	-	25	0,35
TL 44- 5M- 15	41215044	44	1F	1108	25	70,03	68,89	75	-	-	22	22	-	27	0,40
TL 48- 5M- 15	41215048	48	5F	1210	32	76,39	75,25	83	59	-	22	25	3	29	0,46
TL 56- 5M- 15	41215056	56	5F	1210	32	89,13	87,39	93	70	-	22	25	3	33	0,60
TL 64- 5M- 15	41215064	64	5F	1210	32	101,86	101,86	106	80	-	22	25	3	38	0,80
TL 72- 5M- 15	41215072	72	5	1610	42	114,59	114,59	-	92	-	22	25	3	-	1,20
TL 80- 5M- 15	41215080	80	5	1610	42	127,32	127,32	-	92	-	22	25	3	-	1,76
TL 90- 5M- 15	41215090	90	5	1610	42	143,24	143,24	-	92	-	22	25	3	-	2,32
TL 112- 5M- 15	41215112	112	5	2012	50	178,25	178,25	-	110	-	20	32	12	-	3,72
TL 136- 5M- 15	41215136	136	13	2012	50	216,45	216,45	-	110	199	20	32	6	-	3,82

MATERIALE ACCIAIO

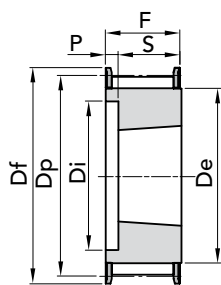
Disegni CAD disponibili sul sito  
[www.chiaravalli.com](http://www.chiaravalli.com)

Quantità, disponibilità e prezzi  
con B2B Chiaravalli

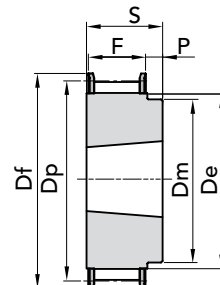


Le immagini non sono identificative del prodotto.

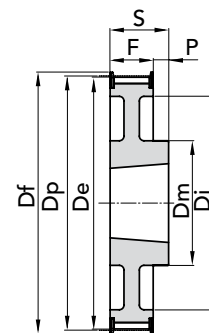
PULEGGE DENTATE HTD® TAPER LOCK® "FOSFATATE" 5M 15


 TIPO **8M 20**


ESEC. 2F

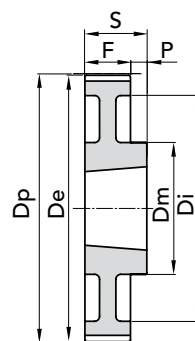


ESEC. 5F

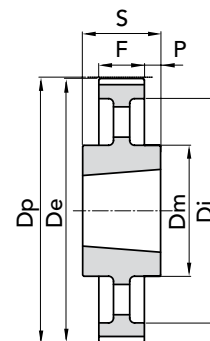


ESEC. 6F

TIPO	CODICE	N. DENTI	ESEC.	BUSS.	FORO MAX	Dp	De	Df	Dm	Ø Di	F	S	P	N. FLANGIA	Peso kg.
															FLANGIA MOZZO
TL 22- 8M- 20	41420022	22	2F	1008	25	56,02	54,65	60	-	37	28	22	6	53	0,25
TL 24- 8M- 20	41420024	24	2F	1108	25	61,12	59,75	66	-	44	28	22	6	69	0,30
TL 26- 8M- 20	41420026	26	2F	1108	25	66,21	64,85	70	-	45	28	22	6	61	0,36
TL 28- 8M- 20	41420028	28	2F	1108	25	71,30	70,08	75	-	50	28	22	6	79	0,45
TL 30- 8M- 20	41420030	30	2F	1108	25	76,39	75,13	82,5	-	58	28	22	6	73	0,55
TL 32- 8M- 20	41420032	32	2F	1610	42	81,49	80,16	87	-	63	28	25	3	76	0,43
TL 34- 8M- 20	41420034	34	2F	1610	42	86,58	85,22	91	-	64	28	25	3	66	0,57
TL 36- 8M- 20	41420036	36	2F	1610	42	91,67	90,30	97	-	68	28	25	3	68	0,70
TL 38- 8M- 20	41420038	38	2F	1610	42	96,77	95,39	102	-	72	28	25	3	70	0,82
TL 40- 8M- 20	41420040	40	2F	1610	42	101,86	100,49	106	-	76	28	25	3	77	1,10
TL 44- 8M- 20	41420044	44	5F	2012	50	112,05	110,67	120	92	-	28	32	4	75	1,20
TL 48- 8M- 20	41420048	48	5F	2012	50	122,23	120,86	128	96	-	28	32	4	78	1,65
TL 56- 8M- 20	41420056	56	5F	2012	50	142,60	141,23	150	110	-	28	32	4	85	2,50
TL 64- 8M- 20	41420064	64	6F	2012	50	162,97	161,60	168	110	137	28	32	4	90	2,60
TL 72- 8M- 20	41420072	72	6F	2012	50	183,35	181,97	192	110	158	28	32	4	97	3,40
TL 80- 8M- 20	41420080	80	7	2012	50	203,72	202,35	-	110	180	28	32	4	-	3,60
TL 90- 8M- 20	41420090	90	7	2012	50	229,18	227,81	-	110	204	28	32	4	-	4,10
TL 112-8M- 20	41420112	112	7	2517	60	285,21	283,83	-	125	254	28	45	17	-	4,57
TL 144- 8M- 20	41420144	114	13	2517	60	366,69	365,32	-	125	336	28	45	12	-	5,00



ESEC. 7



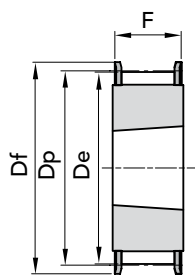
ESEC.13

MATERIALE **ACCIAIO**MATERIALE **GHISA**
 Disegni CAD disponibili sul sito  
[www.chiaravalli.com](http://www.chiaravalli.com)

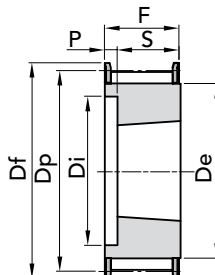
 Quantità, disponibilità e prezzi  
 con B2B Chiaravalli



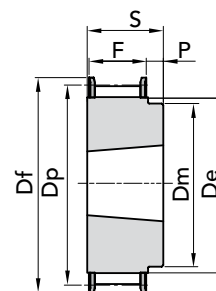
## TIPO 8M 30



ESEC. 1F

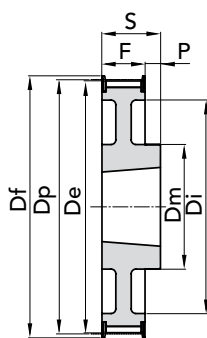


ESEC. 2F

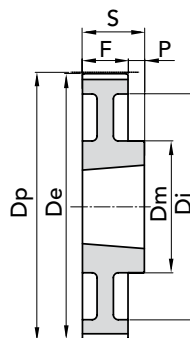


ESEC. 5F

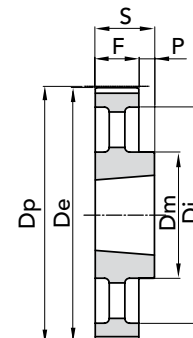
TIPO	CODICE	N. DENTI	ESEC.	BUSS.	FORO MAX	Dp	De	Df	Dm	Ø Di	F	S	P	N. FLANGIA	Peso kg.
TL 22- 8M- 30	41430022	22	2F	1008	25	56,02	54,65	60	-	37	38	22	16	53	0,33
TL 24- 8M- 30	41430024	24	2F	1108	25	61,12	59,75	66	-	44	38	22	16	69	0,40
TL 26- 8M- 30	41430026	26	2F	1108	25	66,21	64,85	70	-	44	38	22	16	61	0,45
TL 28- 8M- 30	41430028	28	2F	1210	32	71,30	70,08	75	-	50	38	25	13	79	0,50
TL 30- 8M- 30	41430030	30	1F	1615	42	76,39	75,13	82,5	-	-	38	38	-	73	0,55
TL 32- 8M- 30	41430032	32	1F	1615	42	81,49	80,16	87	-	-	38	38	-	76	0,60
TL 34- 8M- 30	41430034	34	1F	1615	42	86,58	85,22	91	-	-	38	38	-	66	0,80
TL 36- 8M- 30	41430036	36	1F	1615	42	91,57	90,30	97	-	-	38	38	-	68	1,00
TL 38- 8M- 30	41430038	38	1F	1615	42	96,77	95,39	102	-	-	38	38	-	70	1,10
TL 40- 8M- 30	41430040	40	1F	1615	42	101,86	100,49	106	-	-	38	38	-	77	1,34
TL 44- 8M- 30	41430044	44	2F	2012	50	112,05	110,67	120	-	86	38	32	6	75	1,30
TL 48- 8M- 30	41430048	48	2F	2012	50	122,23	120,86	128	-	90	38	32	6	78	1,80
TL 56- 8M- 30	41430056	56	2F	2012	50	142,60	141,23	150	-	110	38	32	6	85	3,80
TL 64- 8M- 30	41430064	64	5F	2517	60	162,97	161,60	168	125	-	38	45	7	90	4,30
TL 72- 8M- 30	41430072	72	6F	2517	60	183,35	181,97	192	125	158	38	45	7	97	4,40
TL 80- 8M- 30	41430080	80	7	2517	60	203,72	202,35	-	125	180	38	45	7	-	4,65
TL 90- 8M- 30	41430090	90	7	2517	60	229,18	227,81	-	125	204	38	45	7	-	5,80
TL 112-8M- 30	41430112	112	7	2517	60	285,21	283,83	-	125	254	38	45	7	-	6,20
TL 144- 8M- 30	41430144	114	8	2517	60	366,69	365,32	-	125	336	38	45	7	-	9,00



ESEC. 6F



ESEC. 7



ESEC. 8

MATERIALE ACCIAIO

MATERIALE GHISA

Disegni CAD disponibili sul sito [www.chiaravalli.com](http://www.chiaravalli.com)

Quantità, disponibilità e prezzi con B2B Chiaravalli

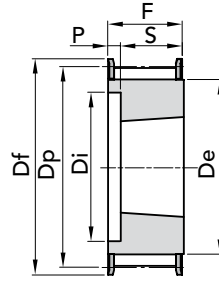


Le immagini non sono identificative del prodotto.

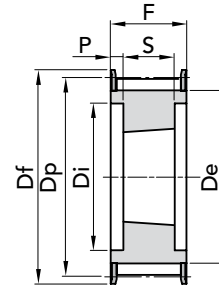
PULEGGE DENTATE HTD® TAPER LOCK® "FOSFATATE" 8M 30



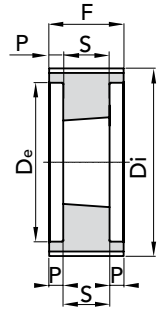
## TIPO 8M 50



ESEC. 2F

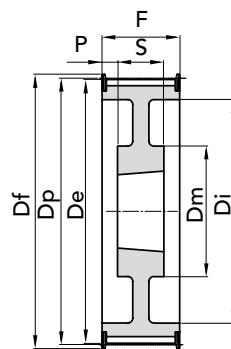


ESEC. 3F

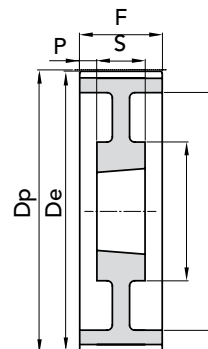


ESEC. 4

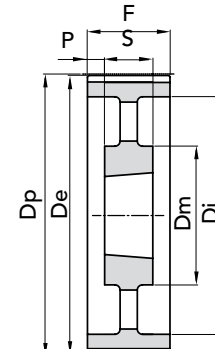
TIPO	CODICE	N. DENTI	ESEC.	BUSS.	FORO MAX	Dp	De	Df	Dm	Ø Di	F	S	P	N. FLANGIA	Peso kg.
TL 28- 8M- 50	41450028	28	2F	1210	32	71,30	70,08	75	-	50	60	25	35	79	0,60
TL 30- 8M- 50	41450030	30	2F	1615	42	76,39	75,13	82,5	-	58	60	38	22	73	0,65
TL 32- 8M- 50	41450032	32	2F	1615	42	81,49	80,16	87	-	63	60	38	22	76	0,80
TL 34- 8M- 50	41450034	34	2F	1615	42	86,58	85,22	91	-	65	60	38	22	66	1,08
TL 36- 8M- 50	41450036	36	2F	1615	42	91,67	90,30	97	-	68	60	38	22	68	1,35
TL 38- 8M- 50	41450038	38	2F	1615	42	96,77	95,39	102	-	72	60	38	22	70	1,65
TL 40- 8M- 50	41450040	40	3F	2012	50	101,86	100,49	106	-	80	60	32	14	77	1,70
TL 44- 8M- 50	41450044	44	3F	2012	50	112,05	110,67	120	-	86	60	32	14	75	1,80
TL 48- 8M- 50	41450048	48	3F	2012	50	122,23	120,86	128	-	95	60	32	14	78	2,35
TL 56- 8M- 50	41450056	56	3F	2517	60	142,60	141,23	150	-	116	60	45	7,5	85	3,35
TL 64- 8M- 50	41450064	64	3F	2517	60	162,97	161,60	168	-	136	60	45	7,5	90	4,90
TL 72- 8M- 50	41450072	72	10F	2517	60	183,35	181,97	192	125	158	60	45	7,5	97	6,90
TL 80- 8M- 50	41450080	80	4	3020	75	203,72	202,30	-	-	180	60	51	4,5	-	8,90
TL 90- 8M- 50	41450090	90	11	3020	75	229,18	227,81	-	160	204	60	51	4,5	-	9,90
TL 112- 8M- 50	41450112	112	11	3020	75	285,21	283,83	-	170	254	60	51	4,5	-	12,10
TL 144- 8M- 50	41450144	144	12	3020	75	366,69	365,32	-	170	336	60	51	4,5	-	15,40
TL 168- 8M- 50	41450168	168	13	3525	90	427,81	426,44	-	198	395	60	65	2,5	-	22,80
TL 192- 8M- 50	41450192	192	13	3525	90	488,92	487,55	-	198	455	60	65	2,5	-	26,50



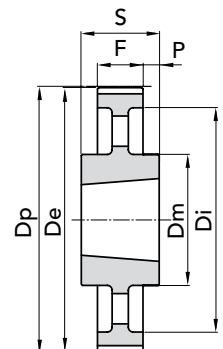
ESEC. 10F



ESEC. 11



ESEC. 12



ESEC. 13

MATERIALE **ACCIAIO**

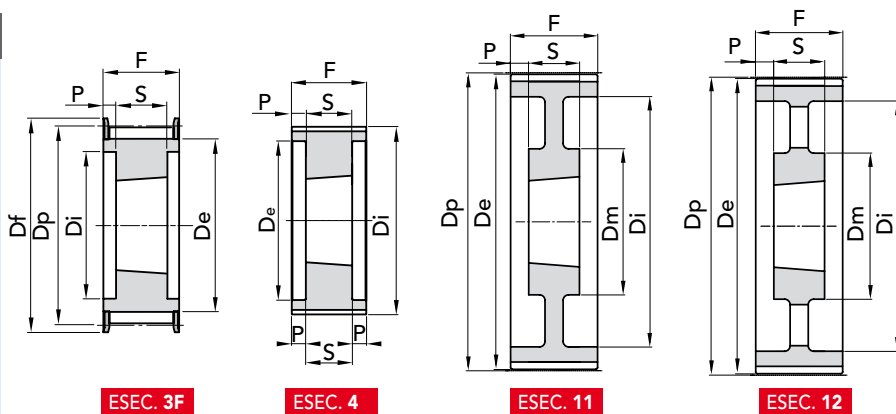
MATERIALE **GHISA**

Disegni CAD disponibili sul sito  
[www.chiaravalli.com](http://www.chiaravalli.com)

Quantità, disponibilità e prezzi  
 con B2B Chiaravalli



## TIPO 8M 85



ESEC. 3F

ESEC. 4

ESEC. 11

ESEC. 12

TIPO	CODICE	N. DENTI	ESEC.	BUSS.	FORO MAX	Dp	De	Df FLANGIA	Dm MOZZO	Ø Di	F	S	P	N. FLANGIA	Peso kg.
TL 34- 8M- 85	41485034	34	3F	1615	42	86,58	85,22	91	-	65	95	38	28,5	66	1,50
TL 36- 8M- 85	41485036	36	3F	1615	42	91,67	90,30	97	-	68	95	38	28,5	68	1,90
TL 38- 8M- 85	41485038	38	3F	1615	42	96,77	95,39	102	-	72	95	38	28,5	70	2,20
TL 40- 8M- 85	41485040	40	3F	2012	50	101,86	100,49	106	-	80	95	32	31,5	77	1,90
TL 44- 8M- 85	41485044	44	3F	2012	50	112,05	110,67	120	-	86	95	32	31,5	75	2,30
TL 48- 8M- 85	41485048	48	3F	2517	60	122,23	120,86	128	-	97	95	45	25	78	2,70
TL 56- 8M- 85	41485056	56	3F	2517	60	142,60	141,23	150	-	116	95	45	25	85	4,50
TL 64- 8M- 85	41485064	64	3F	2517	60	162,97	161,60	168	-	136	95	45	25	90	6,30
TL 72- 8M- 85	41485072	72	3F	3020	75	183,35	181,97	192	-	150	95	51	22	97	8,10
TL 80- 8M- 85	41485080	80	4	3020	75	203,72	202,35	-	-	180	95	51	22	-	10,20
TL 90- 8M- 85	41485090	90	4	3020	75	229,18	227,81	-	-	204	95	51	22	-	11,20
TL 112- 8M- 85	41485112	112	11	3020	75	285,21	283,83	-	170	254	95	51	22	-	15,00
TL 144- 8M- 85	41485144	144	11	3525	90	366,69	365,32	-	198	336	95	65	15	-	20,20
TL 168- 8M- 85	41485168	168	12	3525	90	427,81	426,44	-	198	395	95	65	15	-	22,40
TL 192- 8M- 85	41485192	192	12	3525	90	488,92	487,55	-	198	455	95	65	15	-	28,20

PULEGGE DENTATE HTD® TAPER LOCK® "FOSFATATE" 8M 85

7

MATERIALE **ACCIAIO**

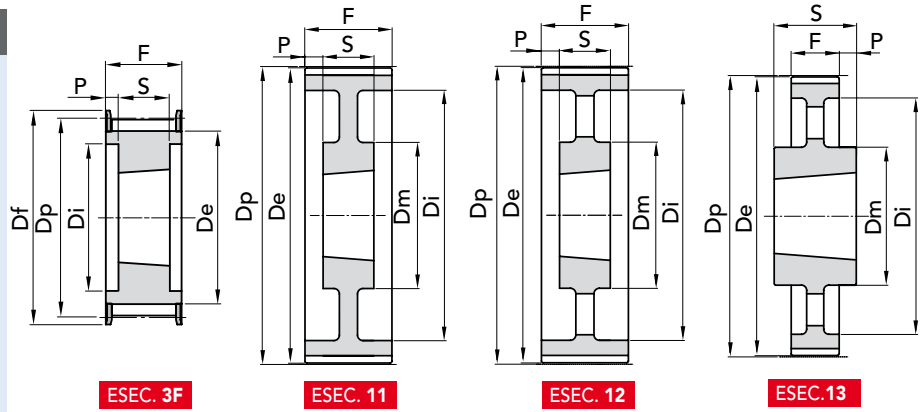
MATERIALE **GHISA**

Disegni CAD disponibili sul sito  
[www.chiaravalli.com](http://www.chiaravalli.com)

Quantità, disponibilità e prezzi  
con B2B Chiaravalli

Le immagini non sono identificative del prodotto.




 TIPO **14M 40**


TIPO	CODICE	N. DENTI	ESEC.	BUSS.	FORO MAX	Dp	De	Df FLANGIA	Dm MOZZO	Ø Di	F	S	P	N. FLANGIA	Peso kg.
TL 28-14M- 40	41640028	28	3F	2012	50	124,78	122,12	128	-	94	54	32	11	153	2,10
TL 30-14M- 40	41640030	30	3F	2012	50	133,69	139,99	138	-	98	54	32	11	154	2,70
TL 32-14M- 40	41640032	32	3F	2012	50	142,60	139,88	154	-	108	54	32	11	160	3,40
TL 34-14M- 40	41640034	34	3F	2517	60	151,52	148,79	160	-	110	54	45	4,5	166	3,90
TL 36-14M- 40	41640036	36	3F	2517	60	160,43	157,68	168	-	120	54	45	4,5	168	4,80
TL 38-14M- 40	41640038	38	3F	2517	60	169,34	166,60	183	-	130	54	45	4,5	172	5,40
TL 40-14M- 40	41640040	40	3F	2517	60	178,25	175,49	188	-	138	54	45	4,5	162	6,00
TL 42-14M- 40	41640042	42	3F	3020	75	187,16	184,37	200	-	147	54	51	1,5	SP	7,50
TL 44-14M- 40	41640044	44	3F	3020	75	196,08	193,28	211	-	155	54	51	1,5	175	9,00
TL 48-14M- 40	41640048	48	3F	3020	75	213,90	211,11	226	-	170	54	51	1,5	180	10,10
TL 56-14M- 40	41640056	56	3F	3020	75	249,55	246,76	256	-	208	54	51	1,5	182	13,40
TL 72-14M- 40	41640072	72	11	3020	75	320,86	318,06	-	170	280	54	51	1,5	-	15,00
TL 80-14M- 40	41640080	80	12	3020	75	356,51	353,71	-	170	315	54	51	1,5	-	16,00
TL 90-14M- 40	41640090	90	12	3020	75	401,70	398,28	-	170	360	54	51	1,5	-	18,00
TL 112-14M- 40	41640112	112	12	3020	75	499,11	496,32	-	170	457	54	51	1,5	-	25,50
TL 144-14M- 40	41640144	144	12	3020	75	641,71	638,92	-	170	600	54	51	1,5	-	32,00
TL 168-14M- 40	41640168	168	12	3020	75	748,66	745,87	-	170	706	54	51	1,5	-	53,60
TL 192-14M- 40	41640192	192	12	3020	75	855,62	852,82	-	170	813	54	51	1,5	-	65,40
TL 216-14M- 40	41640216	216	12	3020	75	962,57	959,76	-	170	920	54	51	1,5	-	87,30
TL 264-14M- 40	41640264	264	13	4040	100	1176,47	1173,66	-	230	1133	54	102	24	-	131,0

 MATERIALE **ACCIAIO**

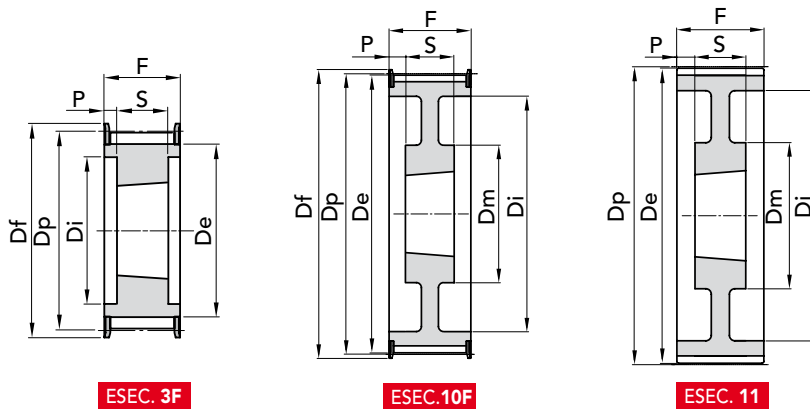
 MATERIALE **GHISA**

 Disegni CAD disponibili sul sito  
[www.chiaravalli.com](http://www.chiaravalli.com)

 Quantità, disponibilità e prezzi  
 con B2B Chiaravalli




## TIPO 14M 55

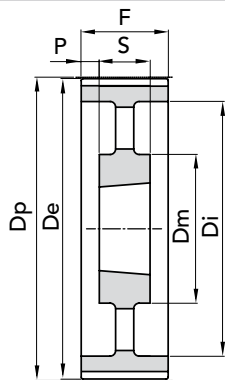


ESEC. 3F

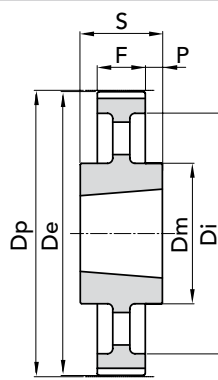
ESEC. 10F

ESEC. 11

TIPO	CODICE	N. DENTI	ESEC.	BUSS.	FORO MAX	Dp	De	Df	Dm	Ø Di	F	S	P	N. FLANGIA	Peso kg.
						FLANGIA					MOZZO				
TL 28-14M- 55	41655028	28	3F	2012	50	124,78	122,12	128	-	94	70	32	19	153	2,20
TL 29-14M- 55	41655029	29	3F	2012	50	129,23	126,57	138	-	100	70	32,0	19	154	2,50
TL 30-14M- 55	41655030	30	3F	2517	60	133,69	130,99	138	-	100	70	45	12,5	154	2,70
TL 32-14M- 55	41655032	32	3F	2517	60	142,60	139,88	154	-	108	70	45	12,5	160	3,60
TL 34-14M- 55	41655034	34	3F	2517	60	151,52	148,79	160	-	110	70	45	12,5	166	4,50
TL 36-14M- 55	41655036	36	3F	2517	60	160,43	157,68	168	-	120	70	45	12,5	168	5,20
TL 38-14M- 55	41655038	38	3F	2517	60	169,34	166,60	183	-	130	70	45	12,5	172	6,20
TL 40-14M- 55	41655040	40	3F	2517	60	178,25	175,49	188	-	138	70	45	12,5	162	7,00
TL 42-14M- 55	41655042	42	3F	3020	75	187,16	184,37	200	-	147	70	51	9,5	SP	8,00
TL 44-14M- 55	41655044	44	3F	3020	75	196,08	193,28	211	-	155	70	51	9,5	175	8,60
TL 48-14M- 55	41655048	48	3F	3020	75	213,90	211,11	226	-	170	70	51	9,5	180	11,00
TL 56-14M- 55	41655056	56	3F	3020	75	249,55	246,76	256	-	208	70	51	9,5	182	13,50
TL 64-14M- 55	41655064	64	10F	3020	75	285,21	282,41	296	170	240	70	51	9,5	184	14,50
TL 72-14M- 55	41655072	72	11	3020	75	320,86	318,06	-	170	280	70	51	9,5	-	16,30
TL 80-14M- 55	41655080	80	12	3020	75	356,51	353,71	-	170	315	70	51	9,5	-	17,50
TL 90-14M- 55	41655090	90	12	3020	75	401,07	398,28	-	170	360	70	51	9,5	-	20,00
TL 112-14M- 55	41655112	112	12	3020	75	499,11	496,32	-	170	457	70	51	9,5	-	28,20
TL 144-14M- 55	41655144	144	12	3020	75	641,71	638,92	-	170	600	70	51	9,5	-	36,00
TL 168-14M- 55	41655168	168	12	3020	75	748,66	745,87	-	170	706	70	51	9,5	-	48,50
TL 192-14M- 55	41655192	192	12	3020	75	855,62	852,82	-	170	813	70	51	9,5	-	52,00
TL 216-14M- 55	41655216	216	13	3535	90	962,57	959,76	-	190	920	70	89	9,5	-	59,00
TL 264-14M- 55	41655264	264	13	4040	100	1176,47	1173,66	-	230	1133	70	102	16	-	78,00



ESEC. 12



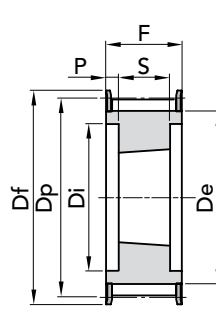
ESEC. 13



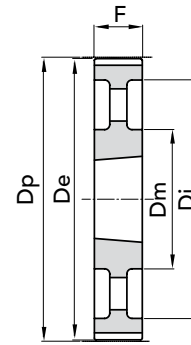
Le immagini non sono identificative del prodotto.

Disegni CAD disponibili sul sito [www.chiaravalli.com](http://www.chiaravalli.com)

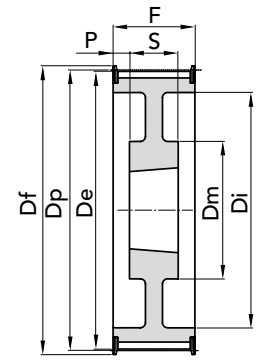
Quantità, disponibilità e prezzi con B2B Chiaravalli


 TIPO **14M 85**


ESEC. 3F

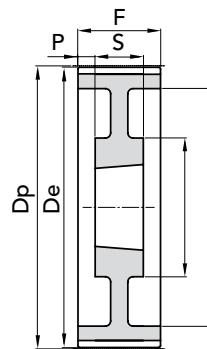


ESEC. 9

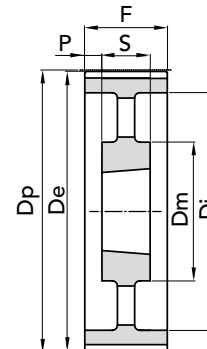


ESEC.10F

TIPO	CODICE	N. DENTI	ESEC.	BUSS.	FORO MAX	Dp	De	Df	Dm	Ø Di	F	S	P	N. FLANGIA	Peso kg.
						FLANGIA			MOZZO						
TL 28-14M- 85	41685028	28	3F	2517	60	124,78	122,12	128	-	98	102	45	28,5	153	2,70
TL 29-14M- 85	41685029	29	3F	2517	60	129,23	126,57	138	-	100	102	45	28,5	154	3,50
TL 30-14M- 85	41685030	30	3F	2517	60	133,69	130,99	138	-	100	102	45	28,5	154	3,80
TL 32-14M- 85	41685032	32	3F	2517	60	142,60	139,88	154	-	108	102	45	28,5	160	4,70
TL 34-14M- 85	41685034	34	3F	2517	60	151,52	148,79	160	-	110	102	45	28,5	166	6,00
TL 36-14M- 85	41685036	36	3F	3020	75	160,43	157,68	168	-	125	102	51	25,5	168	5,70
TL 38-14M- 85	41685038	38	3F	3020	75	169,34	166,60	183	-	130	102	51	25,5	172	6,80
TL 40-14M- 85	41685040	40	3F	3020	75	178,25	175,49	188	-	138	102	51	25,5	162	8,00
TL 44-14M- 85	41685044	44	3F	3020	75	196,08	193,28	211	-	153	102	51	25,5	175	11,70
TL 48-14M- 85	41685048	48	3F	3020	75	213,90	211,11	226	-	171	102	51	25,5	180	15,00
TL 56-14M- 85	41685056	56	3F	3525	90	249,55	246,76	256	-	210	102	65	18,5	182	19,00
TL 64-14M- 85	41685064	64	10F	3525	90	285,21	282,41	296	190	240	102	65	18,5	184	24,00
TL 72-14M- 85	41685072	72	11	3525	90	320,86	318,06	-	190	280	102	65	18,5	-	25,00
TL 80-14M- 85	41685080	80	12	3525	90	356,51	353,71	-	190	315	102	65	18,5	-	26,00
TL 90-14M- 85	41685090	90	12	3525	90	401,70	398,28	-	190	360	102	65	18,5	-	28,00
TL 112-14M- 85	41685112	112	12	3525	90	499,11	496,32	-	190	457	102	65	18,5	-	36,00
TL 144-14M- 85	41685144	144	12	3525	90	641,71	638,92	-	190	600	102	65	18,5	-	48,00
TL 168-14M- 85	41685168	168	12	3525	90	748,66	745,87	-	190	706	102	65	18,5	-	60,00
TL 192-14M- 85	41685192	192	9	4040	100	855,62	852,82	-	230	813	102	102	-	-	85,00
TL 216-14M- 85	41685216	216	9	4040	100	962,57	959,76	-	230	920	102	102	-	-	91,50
TL 264-14M- 85	41685264	264	9	4040	100	1176,47	1173,66	-	230	1133	102	102	-	-	145,00



ESEC. 11



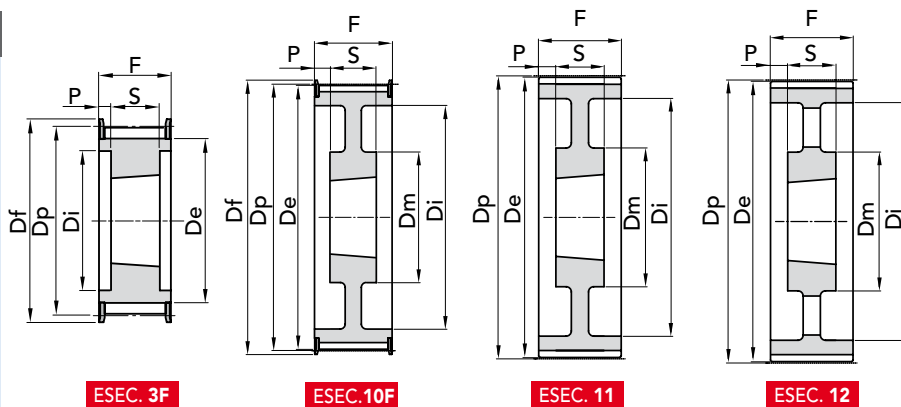
ESEC. 12

MATERIALE **ACCIAIO**MATERIALE **GHISA**
 Disegni CAD disponibili sul sito  
[www.chiaravalli.com](http://www.chiaravalli.com)

 Quantità, disponibilità e prezzi  
 con B2B Chiaravalli




## TIPO 14M 115



ESEC. 3F

ESEC. 10F

ESEC. 11

ESEC. 12

TIPO	CODICE	N. DENTI	ESEC.	BUSS.	FORO MAX	Dp	De	Df	Dm	Ø Di	F	S	P	N. FLANGIA	Peso kg.
						FLANGIA MOZZO									
TL 28-14M-115	41690028	28	3F	2517	60	124,78	122,12	128	-	98	133	45	44	153	3,80
TL 29-14M-115	a richiesta	29	3F	2517	60	129,23	126,57	138	-	100	133	45	44	154	-
TL 30-14M-115	41690030	30	3F	2517	60	133,69	130,99	138	-	100	133	45	44	154	5,00
TL 32-14M-115	41690032	32	3F	2517	60	142,60	139,88	154	-	108	133	45	44	160	6,80
TL 34-14M-115	41690034	34	3F	2517	60	151,52	148,79	160	-	110	133	45	44	166	6,90
TL 36-14M-115	41690036	36	3F	3020	75	160,43	157,68	168	-	125	133	51	41	168	7,00
TL 38-14M-115	41690038	38	3F	3020	75	169,34	166,60	183	-	130	133	51	41	172	8,50
TL 40-14M-115	41690040	40	3F	3020	75	178,25	175,49	188	-	138	133	51	41	162	9,10
TL 44-14M-115	41690044	44	3F	3030	75	196,08	193,28	211	-	155	133	76	28,5	175	13,00
TL 48-14M-115	41690048	48	3F	3030	75	213,90	211,11	226	-	170	133	76	28,5	180	16,00
TL 56-14M-115	41690056	56	3F	3535	90	249,55	246,76	256	-	210	133	89	22	182	24,00
TL 64-14M-115	41690064	64	10F	3535	90	285,21	282,41	296	190	240	133	89	22	184	32,00
TL 72-14M-115	41690072	72	11	3535	90	320,86	318,06	-	190	280	133	89	22	-	31,00
TL 80-14M-115	41690080	80	12	3535	90	356,51	353,71	-	190	315	133	89	22	-	32,00
TL 90-14M-115	41690090	90	12	3535	90	401,07	398,28	-	190	360	133	89	22	-	37,00
TL 112-14M-115	41690112	112	12	3535	90	499,11	496,32	-	190	457	133	89	22	-	45,00
TL 144-14M-115	41690144	144	12	4040	100	641,71	638,92	-	230	600	133	102	15,5	-	63,00
TL 168-14M-115	41690168	168	12	4040	100	748,66	745,87	-	230	706	133	102	15,5	-	77,50
TL 192-14M-115	41690192	192	12	4040	100	855,62	852,82	-	230	813	133	102	15,5	-	95,00
TL 216-14M-115	a richiesta	216	12	4040	100	962,57	959,76	-	230	920	133	102	15,5	-	-
TL 264-14M-115	41690264	264	12	5050	125	1176,47	1173,66	-	270	1133	133	127	3	-	120,0

PULEGGE DENTATE HTD® TAPER LOCK® "FOSFATATE" 14M 115

MATERIALE ACCIAIO

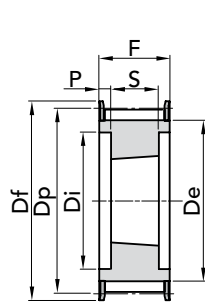
MATERIALE GHISA

Disegni CAD disponibili sul sito  
[www.chiaravalli.com](http://www.chiaravalli.com)

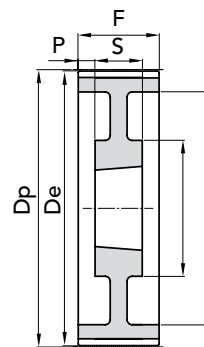
Quantità, disponibilità e prezzi  
con B2B Chiaravalli



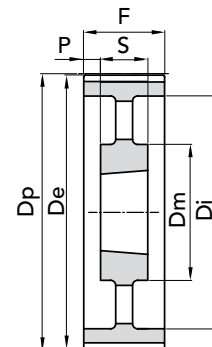
Le immagini non sono identificative del prodotto.


 TIPO **14M 170**


ESEC. 3F



ESEC. 11



ESEC. 12

TIPO	CODICE	N. DENTI	ESEC.	BUSS.	FORO MAX	Dp	De	Df	Dm	Ø Di	F	S	P	N. FLANGIA	Peso kg.
						FLANGIA			MOZZO						
TL 38-14M-170	41692038	38	3F	3030	75	169,34	166,60	183	-	130	187	76	55,5	172	11,70
TL 40-14M-170	41692040	40	3F	3030	75	178,25	175,49	188	-	138	187	76	55,5	162	13,00
TL 44-14M-170	41692044	44	3F	3535	90	196,08	193,28	211	-	155	187	89	49	175	15,00
TL 48-14M-170	41692048	48	3F	3535	90	213,90	211,11	226	-	175	187	89	49	180	19,00
TL 56-14M-170	41692056	56	3F	3535	90	249,55	246,76	256	-	210	187	89	49	182	28,50
TL 64-14M-170	a richiesta	64	3F	4040	100	285,21	282,41	296	-	240	187	102	42,5	184	
TL 72-14M-170	a richiesta	72	11	4040	100	320,86	318,06	-	230	280	187	102	42,5	-	-
TL 80-14M-170	41692080	80	11	4040	100	356,51	353,71	-	230	315	187	102	42,5	-	48,00
TL 90-14M-170	41692090	90	12	4040	100	401,07	398,28	-	230	360	187	102	42,5	-	52,50
TL 112-14M-170	41692112	112	12	5050	125	499,11	496,32	-	265	457	187	127	30	-	74,50
TL 144-14M-170	41692144	144	12	5050	125	641,71	638,92	-	265	600	187	127	30	-	91,00
TL 168-14M-170	41692168	168	12	5050	125	748,66	745,87	-	265	706	187	127	30	-	116,00
TL 192-14M-170	a richiesta	192	12	5050	125	855,62	852,82	-	265	813	187	127	30	-	-
TL 216-14M-170	a richiesta	216	12	5050	125	962,57	959,76	-	265	920	187	127	30	-	-

MATERIALE **ACCIAIO**MATERIALE **GHISA**
 Disegni CAD disponibili sul sito  
[www.chiaravalli.com](http://www.chiaravalli.com)

 Quantità, disponibilità e prezzi  
 con B2B Chiaravalli






# PULEGGE DENTATE GT® CON FORO INIZIALE

Le pulegge dentate **GT®** vengono costruite dalla CHIARAVALLI GROUP S.p.A. nei passi 3mm, 5mm nella versione

Pulegge dentate **GT®** con foro iniziale

## IDENTIFICAZIONE DI UNA PULEGGIA

<b>10 - 3MR - 09</b>	—	10	N° denti
		3MR	passo in mm
		09	larghezza cinghia

P = passo  
 $\varnothing p$  = diametro primitivo puleggia  
 $\varnothing e$  = diametro esterno puleggia

## VALORI DELLA EQUILIBRATURA DELLA PULEGGIA

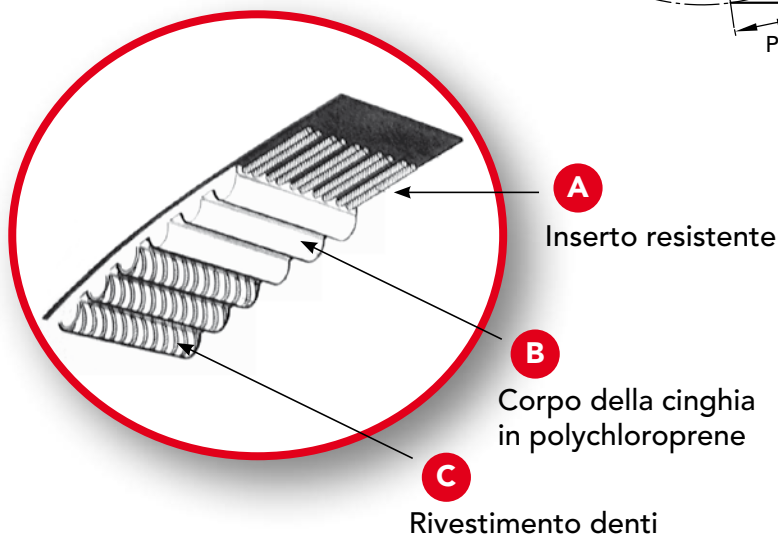
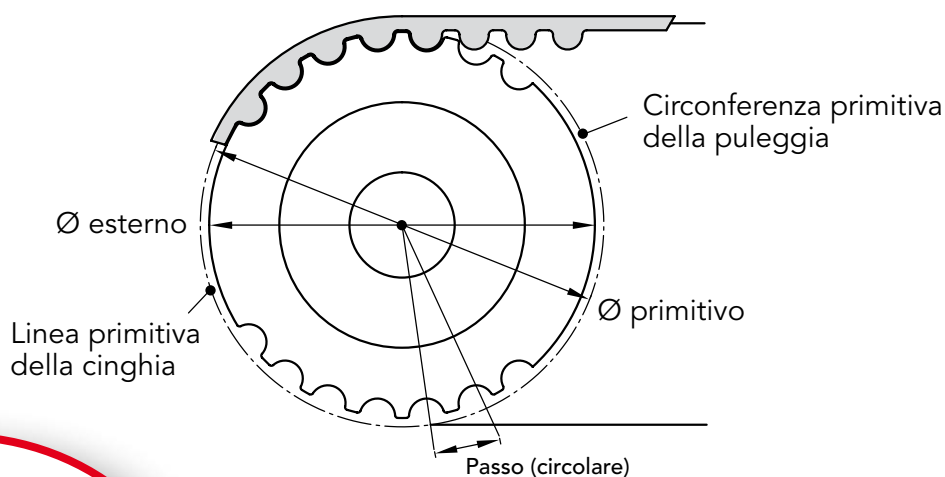
Le pulegge **GT®** di nostra produzione non vengono equilibrate. L'equilibratura si esegue al costo solo su richiesta.

Siamo in grado di equilibrare pulegge fino ad un diametro massimo di 560 mm con rilascio del certificato.

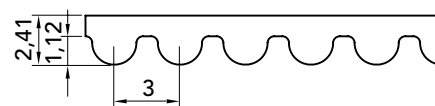
## IDENTIFICAZIONE DI UNA CINGHIA

<b>5MR - 950 - 9</b>	—	passo in mm
		sviluppo primitivo
		larghezza cinghia

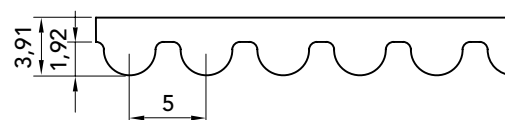
## CARATTERISTICHE DELLA CINGHIA

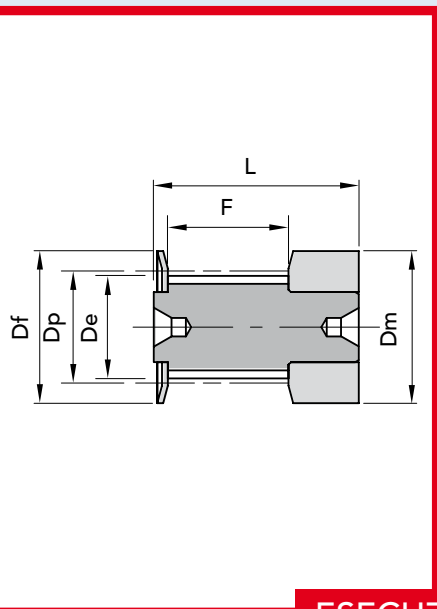


**GT® 3MR**

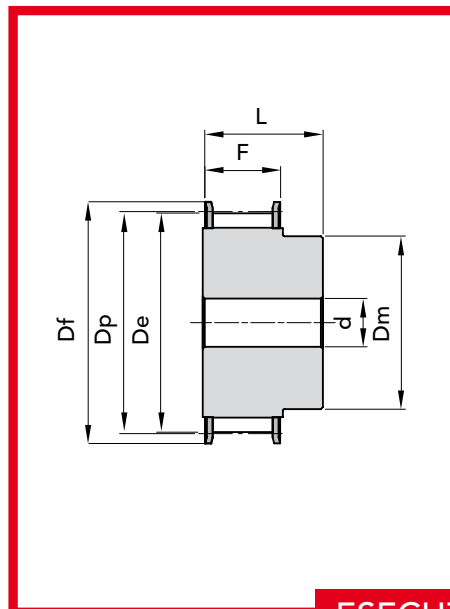


**GT® 5MR**

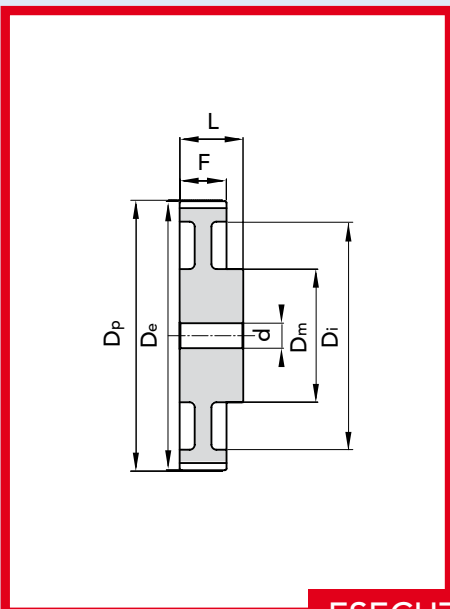




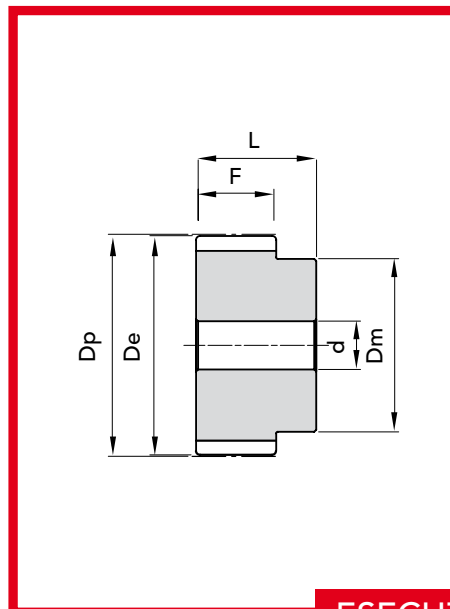
**ESECUZIONE 0F**



**ESECUZIONE 1F**



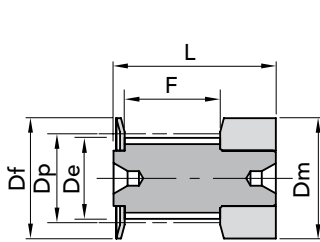
**ESECUZIONE 3**



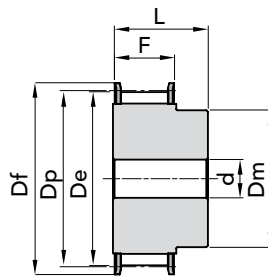
**ESECUZIONE 8**



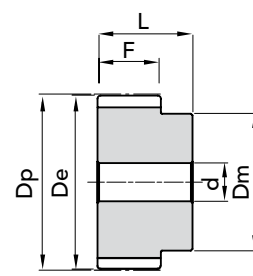
## TIPO 3MR 09



ESEC. 0F



ESEC. 1F



ESEC. 8

TIPO	CODICE	N. DENTI	ESEC.	Dp	De	Df FLANGIA	Dm MOZZO	F	L	d foro Ø	N. FLANGIA	Peso kg.
10- 3MR - 09	a richiesta	10	0F	9,55	8,79	13	13	10,2	17,5	-	501	-
12- 3MR - 09	47030912	12	0F	11,46	10,70	15	15	10,2	17,5	-	502	0,01
14- 3MR - 09	a richiesta	14	0F	13,37	12,61	16	16	10,2	17,5	-	503	-
15- 3MR - 09	47030915	15	0F	14,32	13,56	17,5	17,5	10,2	17,5	-	516	0,01
16- 3MR - 09	a richiesta	16	1F	15,28	14,52	17,5	10	12,8	20,6	4,0	504	-
18- 3MR - 09	47030918	18	1F	17,19	16,43	20	11	12,8	20,6	6,0	505	0,01
20- 3MR - 09	47030920	20	1F	19,10	18,34	23	13	12,8	20,6	6,0	517	0,01
21- 3MR - 09	a richiesta	21	1F	20,05	19,29	25	14	12,8	20,6	6,0	518	-
22- 3MR - 09	47030922	22	1F	21,01	20,25	25	14	12,8	20,6	6,0	518	0,02
24- 3MR - 09	a richiesta	24	1F	22,92	22,16	25	14	12,8	20,6	6,0	518	-
26- 3MR - 09	47030926	26	1F	24,83	24,07	28	16	12,8	20,6	6,0	508	0,03
28- 3MR - 09	47030928	28	1F	26,74	25,98	32	18	12,8	20,6	6,0	509	0,03
30- 3MR - 09	47030930	30	1F	28,65	27,89	32	20	12,8	20,6	6,0	509	0,04
32- 3MR - 09	47030932	32	1F	30,56	29,80	36	22	12,8	20,6	6,0	510	0,04
36- 3MR - 09	47030936	36	1F	34,38	33,62	39	26	13,4	22,2	6,0	519	0,05
40- 3MR - 09	47030940	40	1F	38,20	37,44	42	28	13,4	22,2	6,0	513	0,06
44- 3MR - 09	47030944	44	1F	42,02	41,26	48	33	13,4	22,2	6,0	520	0,08
48- 3MR - 09	47030948	48	8	45,84	45,08	-	33	13,4	22,2	8,0	-	0,10
60- 3MR - 09	47030960	60	8	57,30	56,54	-	33	13,4	22,2	8,0	-	0,11
72- 3MR - 09	47030972	72	8	68,75	67,99	-	33	13,4	22,2	8,0	-	0,15

MATERIALE **ACCIAIO**

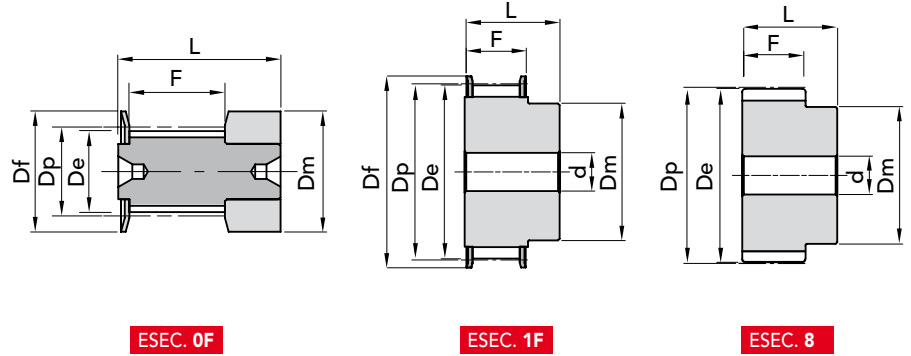
Disegni CAD disponibili sul sito  
[www.chiaravalli.com](http://www.chiaravalli.com)

Quantità, disponibilità e prezzi  
con B2B Chiaravalli



Le immagini non sono identificative del prodotto.

PULEGGE DENTATE GT® CON FORO INIZIALE 3MR 09


 TIPO **3MR 15**


TIPO	CODICE	N. DENTI	ESEC.	Dp	De	Df FLANGIA	Dm MOZZO	F	L	d foro Ø	N. FLANGIA	Peso kg.
10- 3MR - 15	a richiesta	10	0F	9,55	8,79	13	13	17	26	-	501	-
12- 3MR - 15	47031512	12	0F	11,46	10,70	15	15	17	26	-	502	0,01
14- 3MR - 15	a richiesta	14	0F	13,37	12,61	16	16	17	26	-	503	-
15- 3MR - 15	47031515	15	0F	14,32	13,56	17,5	17,5	17	26	-	516	0,01
16- 3MR - 15	a richiesta	16	1F	15,28	14,52	17,5	10	19,5	26	4,0	504	-
18- 3MR - 15	47031518	18	1F	17,19	16,43	20	11	19,5	26	6,0	505	0,01
20- 3MR - 15	47031520	20	1F	19,10	18,34	23	13	19,5	26	6,0	517	0,01
21- 3MR - 15	a richiesta	21	1F	20,05	19,29	25	14	19,5	26	6,0	518	-
22- 3MR - 15	47031522	22	1F	21,01	20,25	25	14	19,5	26	6,0	518	0,02
24- 3MR - 15	a richiesta	24	1F	22,92	22,16	25	14	19,5	26	6,0	518	-
26- 3MR - 15	47031526	26	1F	24,83	24,07	28	16	19,5	26	6,0	508	0,03
28- 3MR - 15	47031528	28	1F	26,74	25,98	32	18	19,5	26	6,0	509	0,03
30- 3MR - 15	47031530	30	1F	28,65	27,89	32	20	19,5	26	6,0	509	0,04
32- 3MR - 15	47031532	32	1F	30,56	29,80	36	22	19,5	26	6,0	510	0,04
36- 3MR - 15	47031536	36	1F	34,38	33,62	39	26	20	30	6,0	519	0,06
40- 3MR - 15	47031540	40	1F	38,20	37,44	42	28	20	30	6,0	513	0,08
44- 3MR - 15	47031544	44	1F	42,02	41,26	48	33	20	30	6,0	520	0,10
48- 3MR - 15	47031548	48	8	45,84	45,08	-	33	20	30	8,0	-	0,10
60- 3MR - 15	47031560	60	8	57,30	56,54	-	33	20	30	8,0	-	0,15
72- 3MR - 15	47031572	72	8	68,75	67,99	-	33	20	30	8,0	-	0,21

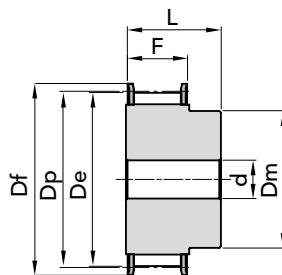
 MATERIALE **ACCIAIO**

 Disegni CAD disponibili sul sito  
[www.chiaravalli.com](http://www.chiaravalli.com)

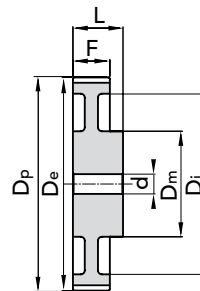
 Quantità, disponibilità e prezzi  
 con B2B Chiaravalli




## TIPO 5MR 09



ESEC. 1F



ESEC. 3

TIPO	CODICE	N. DENTI	ESEC.	Dp	De	Df FLANGIA	Dm MOZZO	Di	F	L	d foro Ø	N. FLANGIA	Peso kg.
12- 5MR - 09	47050912	12	1F	19,10	17,96	23	11,5	-	14,5	20,0	-	14	0,03
14- 5MR - 09	a richiesta	14	1F	22,28	21,14	25	14	-	14,5	20,0	6	2	0,04
15- 5MR - 09	47050915	15	1F	23,37	22,73	28	16	-	14,5	20,0	6	4	0,05
16- 5MR - 09	47050916	16	1F	25,46	24,32	28	16,5	-	14,5	20,0	6	4	0,06
18- 5MR - 09	47050918	18	1F	28,65	27,51	32	20	-	14,5	20,0	6	6	0,07
20- 5MR - 09	47050920	20	1F	31,83	30,69	36	23	-	14,5	22,5	6	8	0,10
21- 5MR - 09	a richiesta	21	1F	33,42	32,28	38	24	-	14,5	22,5	6	9	-
22- 5MR - 09	47050922	22	1F	35,01	33,87	39	25,5	-	14,5	22,5	6	15	0,13
24- 5MR - 09	47050924	24	1F	38,20	37,06	42	27	-	14,5	22,5	6	13	0,15
26- 5MR - 09	47050926	26	1F	41,38	40,24	44	30	-	14,5	22,5	6	12	0,18
28- 5MR - 09	47050928	28	1F	44,56	43,42	48	30,5	-	14,5	22,5	6	11	0,21
30- 5MR - 09	47050930	30	1F	47,75	46,60	51	35	-	14,5	22,5	6	16	0,25
32- 5MR - 09	47050932	32	1F	50,93	49,79	54	38	-	14,5	22,5	8	18	0,28
36- 5MR - 09	47050936	36	1F	57,30	56,16	60	38	-	14,5	22,5	8	21	0,33
40- 5MR - 09	47050940	40	1F	63,66	62,52	71	38	-	14,5	22,5	8	25	0,42
44- 5MR - 09	47050944	44	3	70,03	68,89	-	38	54	14,5	25,5	8	-	0,17
48- 5MR - 09	47050948	48	3	76,39	75,25	-	45	61	14,5	25,5	8	-	0,18
60- 5MR - 09	47050960	60	3	95,49	94,35	-	45	80	14,5	25,5	8	-	0,23
72- 5MR - 09	47050972	72	3	114,59	113,45	-	45	100	14,5	25,5	8	-	0,42

MATERIALE **ACCIAIO**

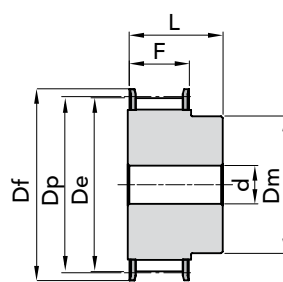
Disegni CAD disponibili sul sito  
[www.chiaravalli.com](http://www.chiaravalli.com)

Quantità, disponibilità e prezzi  
con B2B Chiaravalli

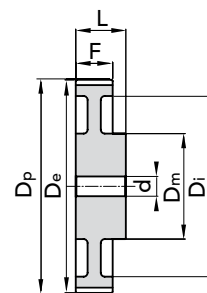


Le immagini non sono identificative del prodotto.




 TIPO **5MR 15**


ESEC. 1F



ESEC. 3

TIPO	CODICE	N. DENTI	ESEC.	Dp	De	Df FLANGIA	Dm MOZZO	Di	F	L	d foro Ø	N. FLANGIA	Peso kg.
12- 5MR - 15	47051512	12	1F	19,10	17,96	23	13	-	20,5	26,0	-	14	0,03
14- 5MR - 15	a richiesta	14	1F	22,28	21,14	25	14	-	20,5	26,0	6	2	-
15- 5MR - 15	47051515	15	1F	23,87	22,73	28	16	-	20,5	26,0	6	4	0,05
16- 5MR - 15	47051516	16	1F	25,46	24,32	28	16,5	-	20,5	26,0	6	4	0,06
18- 5MR - 15	47051518	18	1F	28,65	27,51	32	20	-	20,5	26,0	6	6	0,09
20- 5MR - 15	47051520	20	1F	31,83	30,69	36	23	-	20,5	26,0	6	8	0,12
21- 5MR - 15	a richiesta	21	1F	33,42	32,28	38	24	-	20,5	26,0	6	9	-
22- 5MR - 15	47051522	22	1F	35,01	33,87	39	25,5	-	20,5	26,0	6	15	0,15
24- 5MR - 15	47051524	24	1F	38,20	37,06	42	27	-	20,5	28,0	6	13	0,19
26- 5MR - 15	47051526	26	1F	41,38	40,24	44	30	-	20,5	28,0	6	12	0,23
28- 5MR - 15	47051528	28	1F	44,56	43,42	48	30,5	-	20,5	28,0	6	11	0,26
30- 5MR - 15	47051530	30	1F	47,75	46,60	51	35	-	20,5	28,0	6	16	0,32
32- 5MR - 15	47051532	32	1F	50,93	49,79	54	38	-	20,5	28,0	8	18	0,35
36- 5MR - 15	47051536	36	1F	57,30	56,16	60	38	-	20,5	28,0	8	21	0,43
40- 5MR - 15	47051540	40	1F	63,66	62,52	71	38	-	20,5	28,0	8	25	0,52
44- 5MR - 15	47051544	44	3	70,03	68,89	-	38	54	20,5	30,0	8	-	0,23
48- 5MR - 15	47051548	48	3	76,39	75,25	-	38	61	20,5	30,0	8	-	0,29
60- 5MR - 15	47051560	60	3	95,49	94,35	-	50	80	20,5	30,0	8	-	0,42
72- 5MR - 15	47051572	72	3	114,59	113,45	-	50	100	20,5	30,0	8	-	0,59

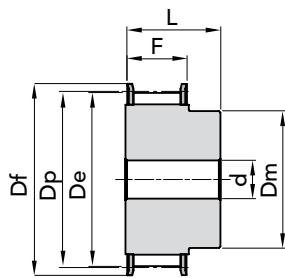
 MATERIALE **ACCIAIO**

 Disegni CAD disponibili sul sito  
[www.chiaravalli.com](http://www.chiaravalli.com)

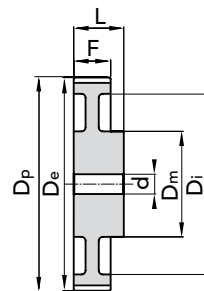
 Quantità, disponibilità e prezzi  
 con B2B Chiaravalli




## TIPO **5MR 25** A RICHIESTA



ESEC. 1F



ESEC. 3

TIPO	CODICE	N. DENTI	ESEC.	Dp	De	Df FLANGIA	Dm MOZZO	Di	F	L	d foro Ø	N. FLANGIA	Peso kg.
12- 5MR - 25	*	12	1F	19,10	17,96	23	13	-	30,5	36,0	4	14	-
14- 5MR - 25	*	14	1F	22,28	21,14	25	14	-	30,5	36,0	6	2	-
15- 5MR - 25	*	15	1F	23,87	22,73	28	16	-	30,5	36,0	6	4	-
16- 5MR - 25	*	16	1F	25,46	24,32	28	16,5	-	30,5	36,0	6	4	-
18- 5MR - 25	*	18	1F	28,65	27,51	32	20	-	30,5	36,0	6	6	-
20- 5MR - 25	*	20	1F	31,83	30,69	36	23	-	30,5	36,0	6	8	-
21- 5MR - 25	*	21	1F	33,42	32,28	38	24	-	30,5	38,0	6	9	-
22- 5MR - 25	*	22	1F	35,01	33,87	39	25,5	-	30,5	38,0	6	15	-
24- 5MR - 25	*	24	1F	38,20	37,06	42	27	-	30,5	38,0	6	13	-
26- 5MR - 25	*	26	1F	41,38	40,24	44	30	-	30,5	38,0	6	12	-
28- 5MR - 25	*	28	1F	44,56	43,42	48	30,5	-	30,5	38,0	6	11	-
30- 5MR - 25	*	30	1F	47,75	46,60	51	35	-	30,5	38,0	6	16	-
32- 5MR - 25	*	32	1F	50,93	49,79	54	38	-	30,5	38,0	8	18	-
36- 5MR - 25	*	36	1F	57,30	56,16	60	38	-	30,5	38,0	8	21	-
40- 5MR - 25	*	40	1F	63,66	62,52	71	38	-	30,5	38,0	8	25	-
44- 5MR - 25	*	44	3	70,03	68,89	-	38	54	30,5	40,0	8	-	-
48- 5MR - 25	*	48	3	76,39	75,25	-	38	61	30,5	40,0	8	-	-
60- 5MR - 25	*	60	3	95,49	94,35	-	50	80	30,5	40,0	8	-	-
72- 5MR - 25	*	72	3	114,59	113,45	-	50	100	30,5	40,0	8	-	-

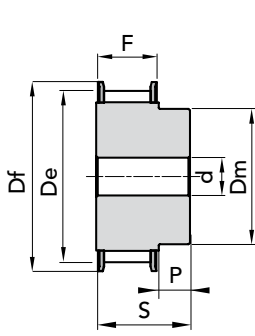
MATERIALE **ACCIAIO**

Disegni CAD disponibili sul sito  
[www.chiaravalli.com](http://www.chiaravalli.com)

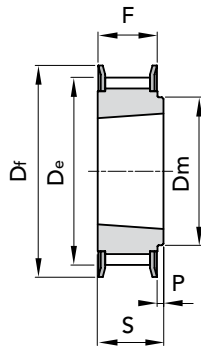
Quantità, disponibilità e prezzi  
con B2B Chiaravalli



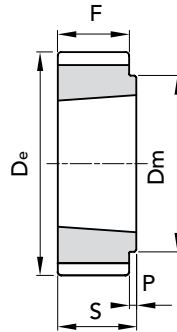
Le immagini non sono identificative del prodotto.



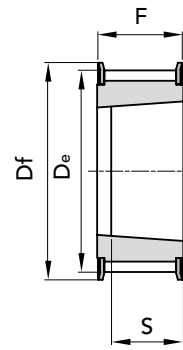
ESEC. 1F



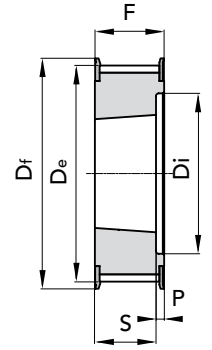
ESEC. 2F



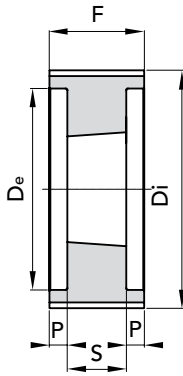
ESEC. 3



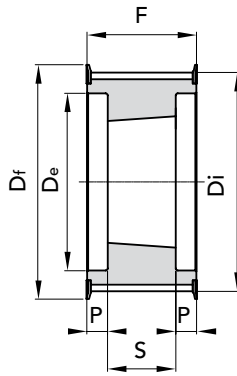
ESEC. 4F



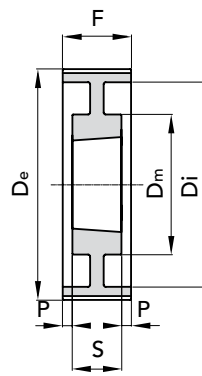
ESEC. 5F



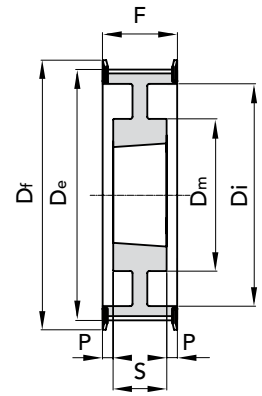
ESEC. 6



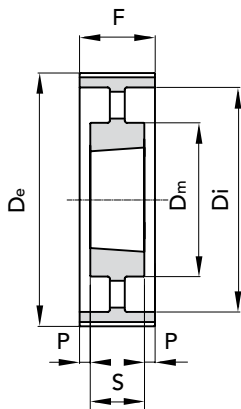
ESEC. 7F



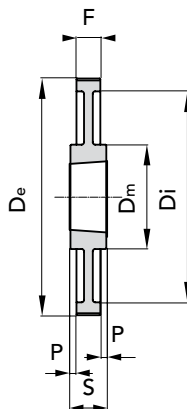
ESEC. 8



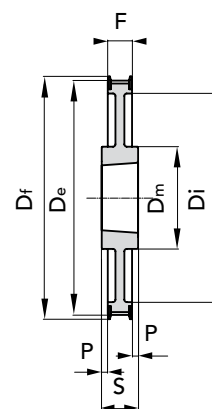
ESEC. 9F



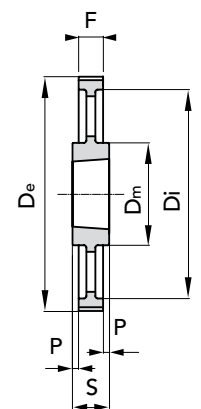
ESEC. 10



ESEC. 11



ESEC. 12F

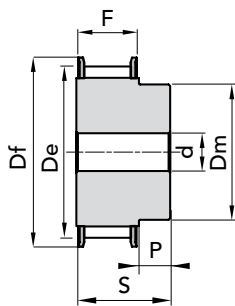


ESEC. 13

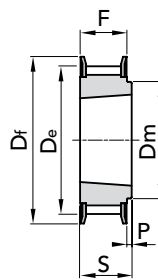


## TAPER LOCK® FOSFATATE

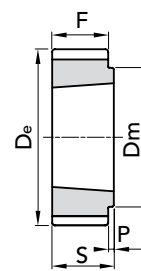
### TIPO 8M-12



ESEC. 1F



ESEC. 2F



ESEC. 3

TIPO	CODICE	N. DENTI	ESEC.	BUSS.	FORO MAX	Dp	De	Df FLANGIA	Dm MOZZO	F	S	P	N. FLANGIA	Peso kg.
8M-22S- 12	48612022	22	1F	-	28	56,02	54,42	60	43	20	30	10	53	0,43
TL 8M-25S- 12	48612025	25	2F	1108	28	63,66	62,06	70	49	20	22	2	61	0,25
TL 8M-28S- 12	48612028	28	2F	1108	28	71,3	69,7	75	56	20	22	2	79	0,37
TL 8M-30S- 12	48612030	30	2F	1210	32	76,39	74,79	82,5	60	20	25	5	82	0,41
TL 8M-32S- 12	48612032	32	2F	1610	42	81,49	79,89	87	66	20	25	5	76	0,43
TL 8M-34S- 12	48612034	34	2F	1610	42	86,58	84,98	91	69	20	25	5	66	0,45
TL 8M-36S- 12	48612036	36	2F	1610	42	91,67	90,07	97	76	20	25	5	68	0,59
TL 8M-38S- 12	48612038	38	2F	1610	42	96,77	95,17	102	78	20	25	5	70	0,70
TL 8M-40S- 12	48612040	40	2F	1610	42	101,86	100,26	106	85	20	25	5	77	0,82
TL 8M-45S- 12	48612045	45	2F	2012	50	114,59	112,99	120	92	20	32	12	75	1,10
TL 8M-48S- 12	48612048	48	2F	2012	50	122,23	120,63	128	103	20	32	12	78	1,42
TL 8M-50S- 12	48612050	50	2F	2012	50	127,32	125,72	135	104	20	32	12	80	1,60
TL 8M-56S- 12	48612056	56	2F	2012	50	142,6	141	150	104	20	32	12	85	2,10
TL 8M-60S- 12	48612060	60	2F	2012	50	152,79	151,19	158	111	20	32	12	86	2,40
TL 8M-64S- 12	48612064	64	2F	2012	50	162,97	161,37	168	111	20	32	12	90	2,70
TL 8M-75S- 12	48612075	75	3	2012	50	190,99	189,39	-	111	20	32	12	-	3,70
TL 8M-80S- 12	48612080	80	3	2012	50	203,72	202,12	-	111	20	32	12	-	4,40
TL 8M-90S- 12	48612090	90	3	2012	50	229,18	227,58	-	111	20	32	12	-	5,50

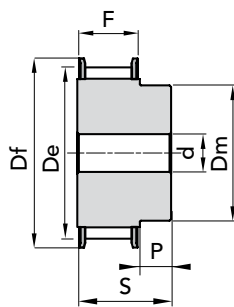
MATERIALE **ACCIAIO**  
**C 45**

Disegni CAD disponibili sul sito  
[www.chiaravalli.com](http://www.chiaravalli.com)

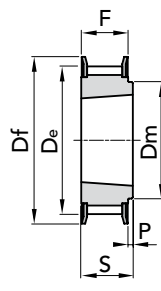
Quantità, disponibilità e prezzi  
con B2B Chiaravalli



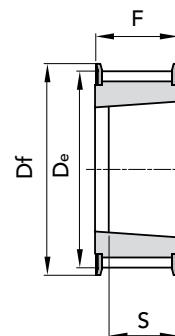
Le immagini non sono identificative del prodotto.


**TAPER LOCK® FOSFATATE**
**TIPO 8M-21**


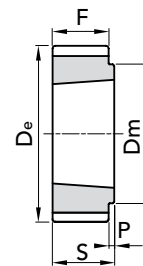
ESEC. 1F



ESEC. 2F

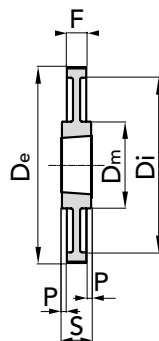


ESEC. 4F

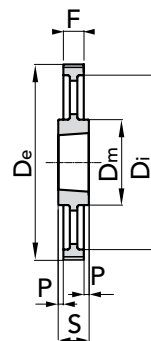


ESEC. 3

TIPO	CODICE	N. DENTI	ESEC.	BUSS.	FORO MAX	Dp	De	Df	Dm	Ø Di	F	S	P	N. FLANGIA	Peso kg.
											FLANGIA MOZZO				
8M-22S- 21	48621022	22	1F	-	28	56,02	54,42	60	43	-	30	40	10	53	0,56
TL 8M-25S- 21	48621025	25	4F	1108	28	63,66	62,06	70	-	-	30	22	-	61	0,36
TL 8M-28S- 21	48621028	28	4F	1210	32	71,3	69,7	75	-	-	30	25	-	79	0,41
TL 8M-30S- 21	48621030	30	4F	1210	32	76,39	74,79	82,5	-	-	30	25	-	82	0,56
TL 8M-32S- 21	48621032	32	4F	1610	42	81,49	79,89	87	-	-	30	25	-	76	0,52
TL 8M-34S- 21	48621034	34	4F	1610	42	86,58	84,98	91	-	-	30	25	-	66	0,61
TL 8M-36S- 21	48621036	36	4F	1610	42	91,67	90,07	97	-	-	30	25	-	68	0,70
TL 8M-38S- 21	48621038	38	4F	1610	42	96,77	95,17	102	-	-	30	25	-	70	0,92
TL 8M-40S- 21	48621040	40	4F	1610	42	101,86	100,26	106	-	-	30	25	-	77	1,06
TL 8M-45S- 21	48621045	45	2F	2012	50	114,59	112,99	120	92	-	30	32	2	75	1,30
TL 8M-48S- 21	48621048	48	2F	2012	50	122,23	120,63	128	103	-	30	32	2	78	1,60
TL 8M-50S- 21	48621050	50	2F	2012	50	127,32	125,72	135	104	-	30	32	2	80	1,83
TL 8M-56S- 21	48621056	56	2F	2012	50	142,6	141	150	104	-	30	32	2	85	2,40
TL 8M-60S- 21	48621060	60	2F	2517	60	152,79	151,19	158	124	-	30	45	15	86	3,20
TL 8M-64S- 21	48621064	64	2F	2517	60	162,97	161,37	168	124	-	30	45	15	90	3,80
TL 8M-75S- 21	48621075	75	3	2517	60	190,99	189,39	-	124	-	30	45	15	-	6,20
TL 8M-80S- 21	48621080	80	3	2517	60	203,72	202,12	-	124	-	30	45	15	-	6,00
TL 8M-90S- 21	48621090	90	11	2517	60	229,18	227,58	-	124	198	30	45	7,5	-	5,40
TL 8M-112S- 21	48621112	112	11	2517	60	285,21	283,61	-	124	253	30	45	7,5	-	7,40
TL 8M-140S- 21	48621140	140	13	3020	75	356,51	354,91	-	150	324	30	51	10,5	-	9,00



ESEC. 11



ESEC. 13

 MATERIALE **ACCIAIO**  
**C 45**

 MATERIALE **GHISA**

 Disegni CAD disponibili sul sito  
[www.chiaravalli.com](http://www.chiaravalli.com)

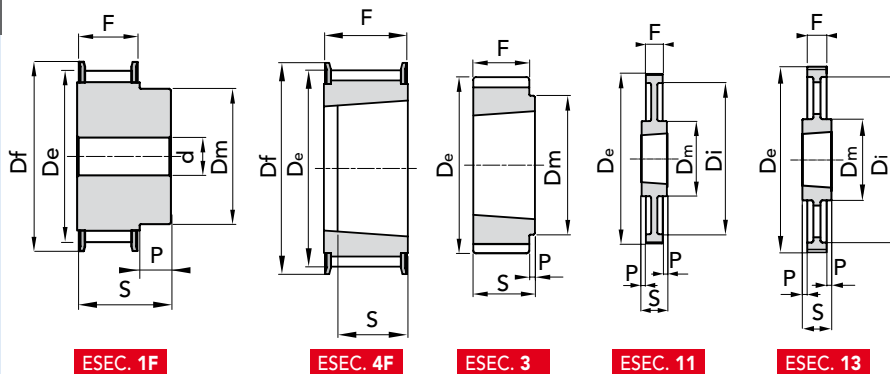
 Quantità, disponibilità e prezzi  
 con B2B Chiaravalli






## TAPER LOCK® FOSFATATE

### TIPO 8M-36



ESEC. 1F

ESEC. 4F

ESEC. 3

ESEC. 11

ESEC. 13

TIPO	CODICE	N. DENTI	ESEC.	BUSS. MAX	FORO MAX	Dp	De	Df	Dm	Ø Di	F	S	P	N. FLANGIA	Peso kg.
8M-25S- 36	48636025	25	1F	-	32	63,66	62,06	70	49	-	45	55	10	61	1,40
TL 8M-28S- 36	48636028	28	4F	1210	32	71,3	69,7	75	-	-	45	25	-	79	0,64
TL 8M-30S- 36	48636030	30	4F	1610	42	76,39	74,79	82,5	-	-	45	25	-	82	0,59
TL 8M-32S- 36	48636032	32	4F	1610	42	81,49	79,89	87	-	-	45	25	-	76	0,79
TL 8M-34S- 36	48636034	34	4F	1610	42	86,58	84,98	91	-	-	45	25	-	66	0,63
TL 8M-36S- 36	48636036	36	4F	1610	42	91,67	90,07	97	-	-	45	25	-	68	1,15
TL 8M-38S- 36	48636038	38	4F	1610	42	96,77	95,17	102	-	-	45	25	-	70	1,39
TL 8M-40S- 36	48636040	40	4F	2012	50	101,86	100,26	106	-	-	45	32	-	77	1,34
TL 8M-45S- 36	48636045	45	4F	2012	50	114,59	112,99	120	-	-	45	32	-	75	1,87
TL 8M-48S- 36	48636048	48	4F	2012	50	122,23	120,63	128	-	-	45	32	-	78	2,20
TL 8M-50S- 36	48636050	50	4F	2012	50	127,32	125,72	135	-	-	45	32	-	80	2,70
TL 8M-56S- 36	48636056	56	4F	2517	60	142,6	141	150	-	-	45	45	-	85	3,00
TL 8M-60S- 36	48636060	60	4F	2517	60	152,79	151,19	158	-	-	45	45	-	86	3,80
TL 8M-64S- 36	48636064	64	4F	2517	60	162,97	161,37	168	-	-	45	45	-	90	4,50
TL 8M-75S- 36	48636075	75	3	3020	75	190,99	189,39	-	150	-	45	51	6	-	6,20
TL 8M-80S- 36	48636080	80	3	3020	75	203,72	202,12	-	150	-	45	51	6	-	7,40
TL 8M-90S- 36	48636090	90	11	3020	75	229,18	227,58	-	150	197	45	51	3	-	7,20
TL 8M-112S- 36	48636112	112	11	3020	75	285,21	283,61	-	150	253	45	51	3	-	10,40
TL 8M-140S- 36	48636140	140	13	3020	75	356,51	354,91	-	150	324	45	51	3	-	12,70
TL 8M-168S- 36	48636168	168	13	3525	100	427,81	426,21	-	198	396	45	65	10	-	21,50
TL 8M-192S- 36	48636192	192	13	3525	100	488,92	487,32	-	198	457	45	65	10	-	27,00

MATERIALE **ACCIAIO**  
**C 45**

MATERIALE **GHISA**

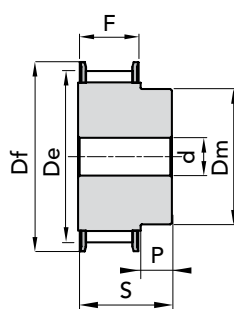
Disegni CAD disponibili sul sito  
[www.chiaravalli.com](http://www.chiaravalli.com)

Quantità, disponibilità e prezzi  
con B2B Chiaravalli

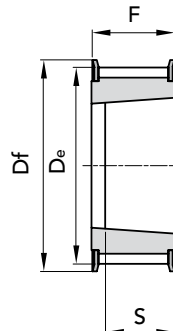


Le immagini non sono identificative del prodotto.

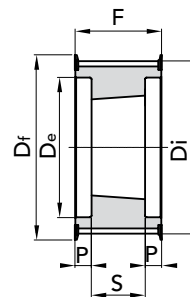
PULEGGE DENTATE POLY CHAIN® GT® TIPO 8M-36


**TAPER LOCK® FOSFATATE**
**TIPO 8M-62**


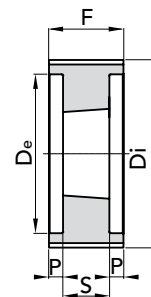
ESEC. 1F



ESEC. 4F

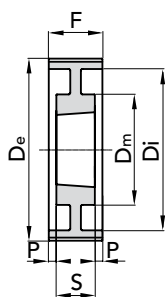


ESEC. 7F

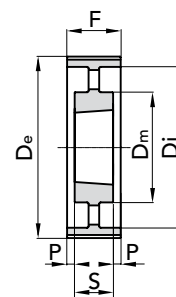


ESEC. 6

TIPO	CODICE	N. DENTI	ESEC.	BUSS.	FORO MAX	Dp	De	Df	Dm	Ø Di	F	S	P	N. FLANGIA	Peso kg.
					FLANGIA MOZZO										
8M-30S- 62	48662030	30	1F	-	42	76,39	74,79	82,5	63	-	72	84	12	82	2,40
8M-32S- 62	48662032	32	1F	-	50	81,49	79,89	87	68	-	72	84	12	76	2,80
8M-34S- 62	48662034	34	1F	-	55	86,58	84,98	91	69	-	72	84	12	66	3,00
8M-36S- 63	48662036	36	1F	-	60	91,67	90,07	97	76	-	72	84	12	68	3,40
8M-38S- 62	48662038	38	1F	-	60	96,77	95,17	102	78	-	72	84	12	70	3,80
TL 8M-40S- 62	48662040	40	4F	2012	50	101,86	100,26	106	-	-	72	32	-	77	2,06
TL 8M-45S- 62	48662045	45	4F	2012	50	114,59	112,99	120	-	-	72	32	-	75	3,00
TL 8M-48S- 62	48662048	48	4F	2517	60	122,23	120,63	128	-	-	72	45	-	78	2,90
TL 8M-50S- 62	48662050	50	4F	2517	60	127,32	125,72	135	-	-	72	45	-	80	3,25
TL 8M-56S- 62	48662056	56	7F	2517	60	142,6	141	150	-	111	72	45	13,5	85	3,90
TL 8M-60S- 62	48662060	60	7F	2517	60	152,79	151,19	158	-	121	72	45	13,5	86	4,70
TL 8M-64S- 62	48662064	64	7F	2517	60	162,97	161,37	168	-	131	72	45	13,5	90	5,60
TL 8M-75S- 62	48662075	75	6	3020	75	190,99	189,39	-	-	159	72	51	10,5	-	7,50
TL 8M-80S- 62	48662080	80	6	3020	75	203,72	202,12	-	-	172	72	51	10,5	-	9,20
TL 8M-90S- 62	48662090	90	6	3020	75	229,18	227,58	-	-	197	72	51	10,5	-	7,70
TL 8M-112S- 62	48662112	112	8	3020	75	285,21	283,61	-	198	253	72	51	10,5	-	12,10
TL 8M-140S- 62	48662140	140	8	3525	100	356,51	354,91	-	150	324	72	65	3,5	-	22,70
TL 8M-168S- 62	48662168	168	10	3525	100	427,81	426,21	-	198	396	72	65	3,5	-	26,80
TL 8M-192S- 62	48662192	192	10	3525	100	488,92	487,32	-	198	457	72	65	3,5	-	34,20



ESEC. 8



ESEC. 10

 MATERIALE **ACCIAIO**  
**C 45**

 MATERIALE **GHISA**

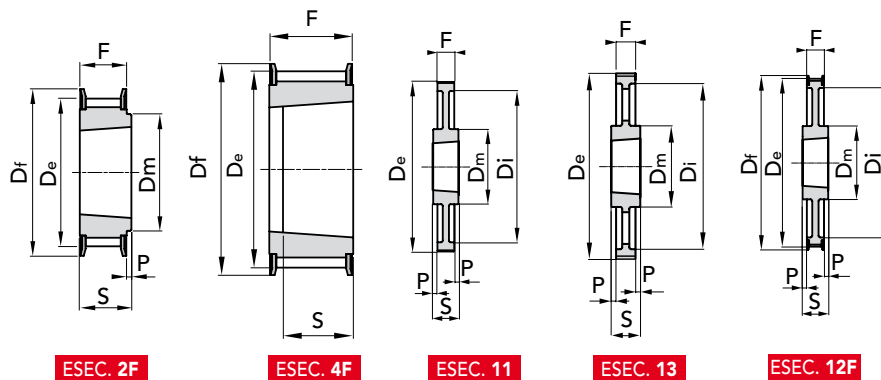
 Disegni CAD disponibili sul sito  
[www.chiaravalli.com](http://www.chiaravalli.com)

 Quantità, disponibilità e prezzi  
 con B2B Chiaravalli




## TAPER LOCK® FOSFATATE

### TIPO 14M-20



ESEC. 2F

ESEC. 4F

ESEC. 11

ESEC. 13

ESEC. 12F

TIPO	CODICE	N. DENTI	ESEC.	BUSS. MAX	FORO MAX	Dp	De	Df FLANGIA	Dm MOZZO	Ø Di	F	S	P	N. FLANGIA	Peso kg.
TL 14M-28S-20	48820028	28	4F	2012	50	124,78	121,98	128	-	-	33	32	1	153	1,66
TL 14M-30S-20	48820030	30	4F	2012	50	133,69	130,89	138	-	-	33	32	1	154	2,20
TL 14M-32S-20	48820032	32	4F	2012	50	142,6	139,8	154	-	-	33	32	1	160	3,20
TL 14M-34S-20	48820034	34	2F	2517	60	151,52	148,72	160	117	-	33	45	-	171	3,00
TL 14M-36S-20	48820036	36	2F	2517	60	160,43	157,63	168	117	-	33	45	-	168	3,60
TL 14M-38S-20	48820038	38	2F	2517	60	169,34	166,54	183	117	-	33	45	-	172	4,00
TL 14M-40S-20	48820040	40	2F	2517	60	178,25	175,45	188	117	-	33	45	-	174	4,70
TL 14M-44S-20	48820044	44	2F	3020	75	196,08	193,28	211	144	-	33	51	-	175	5,60
TL 14M-48S-20	48820048	48	2F	3020	75	213,9	211,11	226	144	-	33	51	-	180	6,80
TL 14M-50S-20	48820050	50	2F	3020	75	222,82	220,02	240	144	-	33	51	-	169	7,70
TL 14M-56S-20	48820056	56	12F	3020	75	249,55	246,76	256	144	207	33	51	9	182	7,70
TL 14M-60S-20	48820060	60	11	3020	75	267,38	264,58	-	159	224	33	51	9	-	8,50
TL 14M-64S-20	48820064	64	11	3020	75	285,21	282,41	-	159	242	33	51	9	-	10,20
TL 14M-72S-20	48820072	72	11	3020	75	320,86	318,06	-	159	278	33	51	9	-	11,50
TL 14M-80S-20	48820080	80	11	3020	75	356,51	353,71	-	159	314	33	51	9	-	13,50
TL 14M-90S-20	48820090	90	13	3020	75	401,07	398,27	-	159	360	33	51	9	-	14,20
TL 14M-112S-20	48820112	112	13	3020	75	499,11	496,31	-	159	456	33	51	9	-	18,10
TL 14M-140S-20	48820140	140	13	3020	75	623,89	621,09	-	159	581	33	51	9	-	22,90

MATERIALE **ACCIAIO**  
**C 45**

MATERIALE **GHISA**

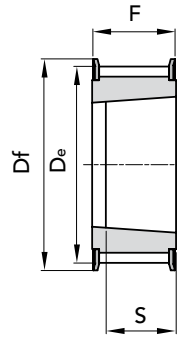
Disegni CAD disponibili sul sito  
[www.chiaravalli.com](http://www.chiaravalli.com)

Quantità, disponibilità e prezzi  
con B2B Chiaravalli

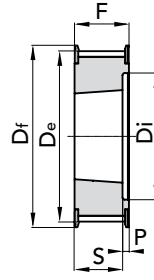


Le immagini non sono identificative del prodotto.

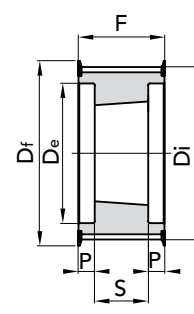
PULEGGE DENTATE POLY CHAIN® GT® TIPO 14M-20


**TAPER LOCK® FOSFATATE**
**TIPO 14M-37**


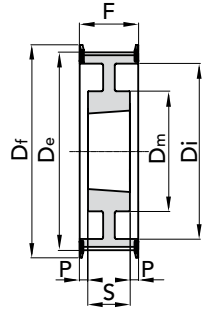
ESEC. 4F



ESEC. 5F

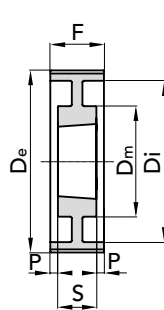


ESEC. 7F

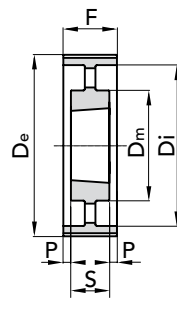


ESEC. 9F

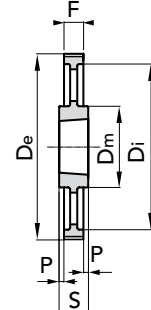
TIPO	CODICE	N. DENTI	ESEC.	BUSS.	FORO MAX	Dp	De	Df	Dm	Ø Di	F	S	P	N. FLANGIA	Peso kg.
TL 14M-28S-37	48837028	28	5F	2012	50	124,78	121,98	128	-	88	51	32	19	153	2,20
TL 14M-30S-37	48837030	30	7F	2517	60	133,69	130,89	138	-	98	51	45	3	154	2,50
TL 14M-32S-37	48837032	32	7F	2517	60	142,6	139,8	154	-	100	51	45	3	160	3,00
TL 14M-34S-37	48837034	34	7F	2517	60	151,52	148,72	160	-	109	51	45	3	171	3,80
TL 14M-36S-37	48837036	36	5F	2517	60	160,43	157,63	168	-	117	51	45	6	168	4,30
TL 14M-38S-37	48837038	38	5F	2517	60	169,34	166,54	183	-	126	51	45	6	172	5,10
TL 14M-40S-37	48837040	40	5F	2517	60	178,25	175,45	188	-	135	51	45	6	174	6,00
TL 14M-44S-37	48837044	44	4F	3020	75	196,08	193,82	211	-	-	51	51	-	175	7,00
TL 14M-48S-37	48837048	48	4F	3020	75	213,9	211,11	226	-	-	51	51	-	180	9,00
TL 14M-50S-37	48837050	50	4F	3020	75	222,82	220,02	240	-	-	51	51	-	169	10,00
TL 14M-56S-37	48837056	56	9F	3020	75	249,55	246,76	256	144	207	51	51	-	182	9,20
TL 14M-60S-37	48837060	60	8	3020	75	267,38	264,58	-	159	224	51	51	-	-	10,20
TL 14M-64S-37	48837064	64	8	3020	75	285,21	282,41	-	159	242	51	51	-	-	12,20
TL 14M-72S-37	48837072	72	8	3020	75	320,86	318,06	-	159	278	51	51	-	-	13,40
TL 14M-80S-37	48837080	80	8	3020	75	356,51	353,71	-	159	314	51	51	-	-	16,10
TL 14M-90S-37	48837090	90	10	3020	75	401,07	398,27	-	159	360	51	51	-	-	17,20
TL 14M-112S-37	48837112	112	10	3020	75	499,11	496,31	-	159	456	51	51	-	-	23,00
TL 14M-140S-37	48837140	140	13	3525	100	623,89	621,09	-	206	581	51	65	7	-	41,00
TL 14M-168S-37	48837168	168	13	3525	100	748,66	745,87	-	206	706	51	65	7	-	51,50
TL 14M-192S-37	48837192	192	13	4030	115	855,61	852,82	-	215	812	51	76	12,5	-	60,00



ESEC. 8



ESEC. 10



ESEC. 13

 MATERIALE **ACCIAIO**  
**C 45**

 MATERIALE **GHISA**

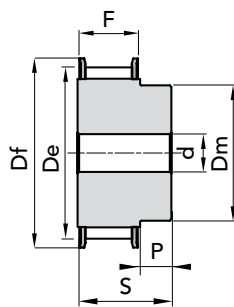
 Disegni CAD disponibili sul sito  
[www.chiaravalli.com](http://www.chiaravalli.com)

 Quantità, disponibilità e prezzi  
 con B2B Chiaravalli

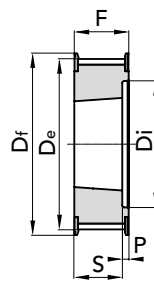



## TAPER LOCK® FOSFATATE

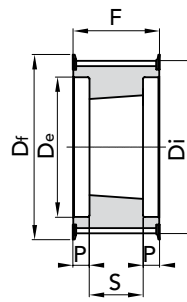
### TIPO 14M-68



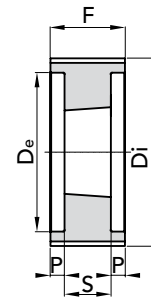
ESEC. 1F



ESEC. 5F

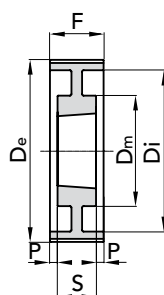


ESEC. 7F

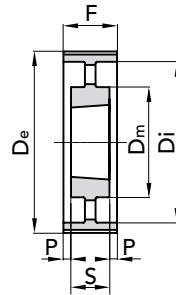


ESEC. 6

TIPO	CODICE	N. DENTI	ESEC.	BUSS.	FORO MAX	Dp	De	Df	Dm	Ø Di	F	S	P	N. FLANGIA	Peso kg.
TL 14M-34S- 68	48868034	34	1F	-	100	151,52	148,72	160	132	-	84	104	20	171	10,50
TL 14M-36S- 68	48868036	36	1F	-	100	160,43	157,63	168	131	-	84	104	20	168	11,70
TL 14M-38S- 68	48868038	38	1F	-	115	169,34	166,54	183	141	-	84	104	20	172	13,40
TL 14M-40S- 68	48868040	40	1F	-	125	178,25	175,45	188	156	-	84	104	20	174	15,40
TL 14M-44S- 68	48868045	44	7F	3020	75	196,08	193,28	211	-	153	84	51	16,5	175	9,20
TL 14M-48S- 68	48868048	48	5F	3020	75	213,9	211,11	226	-	171	84	51	33	180	11,30
TL 14M-50S- 68	48868050	50	7F	3525	100	222,82	220,02	240	-	180	84	65	9,5	169	15,50
TL 14M-56S- 68	48868056	56	7F	3525	100	249,55	246,76	256	-	207	84	65	9,5	182	16,80
TL 14M-60S- 68	48868060	60	6	3525	100	267,38	264,58	-	-	224	84	65	9,5	-	20,40
TL 14M-64S- 68	48868064	64	6	3525	100	285,21	282,41	-	-	242	84	65	9,5	-	23,60
TL 14M-72S- 68	48868072	72	8	3525	100	320,86	318,06	-	178	278	84	65	9,5	-	20,30
TL 14M-80S- 68	48868080	80	10	3525	100	356,51	353,71	-	178	314	84	65	9,5	-	21,30
TL 14M-90S- 68	48868090	90	10	3525	100	401,07	398,27	-	178	360	84	65	9,5	-	24,40
TL 14M-112S- 68	48868112	112	10	3525	100	499,11	496,31	-	178	456	84	65	9,5	-	32,70
TL 14M-140S- 68	48868140	140	10	3525	100	623,89	621,09	-	206	581	84	65	9,5	-	55,00
TL 14M-168S- 68	48868168	168	10	3525	100	748,66	745,87	-	206	706	84	65	9,5	-	71,00
TL 14M-192S- 68	48868192	192	10	4030	115	855,61	852,82	-	215	812	84	76	4	-	80,50



ESEC. 8



ESEC. 10



MATERIALE ACCIAIO  
C 45

MATERIALE GHISA

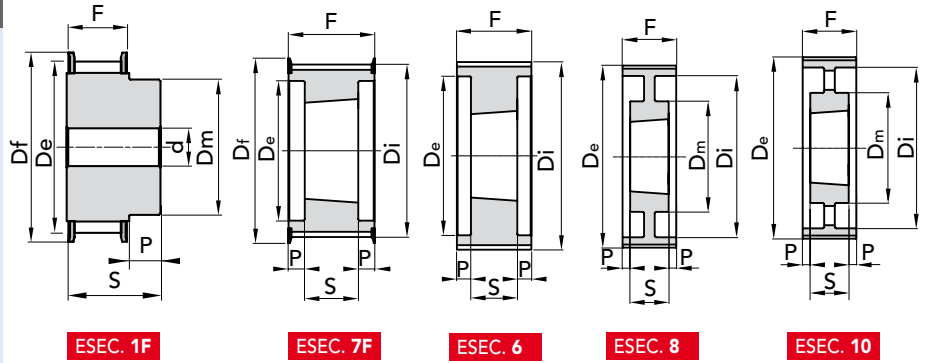
Disegni CAD disponibili sul sito  
[www.chiaravalli.com](http://www.chiaravalli.com)

Quantità, disponibilità e prezzi  
con B2B Chiaravalli

Le immagini non sono identificative del prodotto.

PULEGGE DENTATE POLY CHAIN® GT® TIPO 14M-68




**TAPER LOCK® FOSFATATE**
**TIPO 14M-90**


TIPO	CODICE	N. DENTI	ESEC.	BUSS.	FORO MAX	Dp	De	Df	Dm	Ø Di	F	S	P	N. FLANGIA	Peso kg.
						FLANGIA MOZZO									
TL 14M-36S-90	48890036	36	1F	-	110	160,43	157,63	168	131	-	106	136	30	168	14,50
TL 14M-38S-90	48890038	38	1F	-	115	169,34	166,54	183	141	-	106	136	30	172	17,50
TL 14M-40S-90	48890040	40	1F	-	125	178,25	175,45	188	156	-	106	136	30	174	19,10
TL 14M-44S-90	48890044	44	1F	-	140	196,08	193,82	211	169	-	106	136	30	175	23,90
TL 14M-48S-90	48890048	48	7F	3525	100	213,9	211,11	226	-	171	106	66	20	180	12,70
TL 14M-50S-90	48890050	50	7F	3525	100	222,82	220,02	240	-	180	106	66	20	169	14,50
TL 14M-56S-90	48890056	56	7F	3525	100	249,55	246,76	256	-	207	106	66	20	182	19,00
TL 14M-60S-90	48890060	60	6	3525	100	267,38	264,58	-	-	224	106	66	20	-	22,50
TL 14M-64S-90	48890064	64	6	3525	100	285,21	282,41	-	-	242	106	66	20	-	24,00
TL 14M-72S-90	48890072	72	8	3525	100	320,86	318,06	-	178	278	106	66	20	-	22,60
TL 14M-80S-90	48890080	80	8	4030	115	356,51	353,71	-	215	314	106	76	15	-	27,00
TL 14M-90S-90	48890090	90	8	4030	115	401,07	398,27	-	215	360	106	76	15	-	34,10
TL 14M-112S-90	48890112	112	10	4535	125	499,11	496,31	-	215	456	106	90	8	-	46,00
TL 14M-140S-90	48890140	140	10	4535	125	623,89	621,09	-	215	581	106	90	8	-	61,00
TL 14M-168S-90	48890168	168	10	5040	130	748,66	745,87	-	267	706	106	102	2	-	90,00
TL 14M-192S-90	48890192	192	10	5040	130	855,61	852,82	-	267	812	106	102	2	-	108,50

 MATERIALE **ACCIAIO**  
**C 45**

 MATERIALE **GHISA**

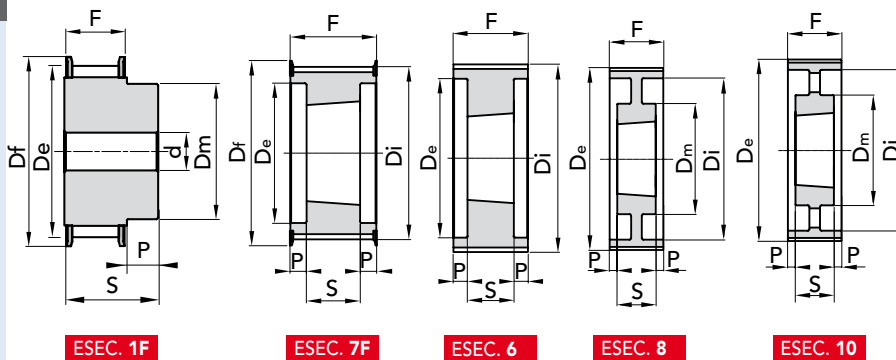
 Disegni CAD disponibili sul sito  
[www.chiaravalli.com](http://www.chiaravalli.com)

 Quantità, disponibilità e prezzi  
 con B2B Chiaravalli




## TAPER LOCK® FOSFATATE

### TIPO 14M-125



TIPO	CODICE	N. DENTI	ESEC.	BUSS. MAX	FORO MAX	Dp	De	Df	Dm	Ø Di	F	S	P	N. FLANGIA	Peso kg.
TL 14M-38S-125	48892038	38	1F	-	115	169,34	166,54	183	141	-	141	161	20	172	20,30
TL 14M-40S-125	48892040	40	1F	-	125	178,25	175,45	188	156	-	141	161	20	174	23,00
TL 14M-44S-125	48892044	44	1F	-	140	196,08	193,82	211	169	-	141	161	20	175	28,80
TL 14M-48S-125	48892048	48	1F	-	160	213,9	211,11	226	185	-	141	161	20	180	34,60
TL 14M-50S-125	48892050	50	7F	3525	100	222,82	220,02	240	-	180	141	65	38	169	16,80
TL 14M-56S-125	48892056	56	7F	3525	100	249,55	246,76	256	-	207	141	65	38	182	21,60
TL 14M-60S-125	48892060	60	6	4030	115	267,38	264,58	-	-	224	141	76	32,5	-	25,60
TL 14M-64S-125	48892064	64	6	4030	115	285,21	282,41	-	-	242	141	76	32,5	-	29,70
TL 14M-72S-125	48892072	72	8	4030	115	320,86	318,06	-	215	278	141	76	32,5	-	30,00
TL 14M-80S-125	48892080	80	8	4030	125	356,51	353,71	-	215	314	141	76	32,5	-	33,40
TL 14M-90S-125	48892090	90	8	4030	115	401,07	398,27	-	215	360	141	76	32,5	-	39,40
TL 14M-112S-125	48892112	112	10	4535	125	499,11	496,31	-	215	456	141	89	26	-	56,00
TL 14M-140S-125	48892140	140	10	4535	125	623,89	621,09	-	215	581	141	89	26	-	73,00
TL 14M-168S-125	48892168	168	10	5040	125	748,66	745,87	-	267	706	141	102	19,5	-	101,00
TL 14M-192S-125	48892192	192	10	5040	125	855,61	852,82	-	267	802	141	102	19,5	-	121,50

PULEGGE DENTATE POLY CHAIN® GT® TIPO 14M-125

7

MATERIALE GHISA

Disegni CAD disponibili sul sito [www.chiaravalli.com](http://www.chiaravalli.com)

Quantità, disponibilità e prezzi con B2B Chiaravalli

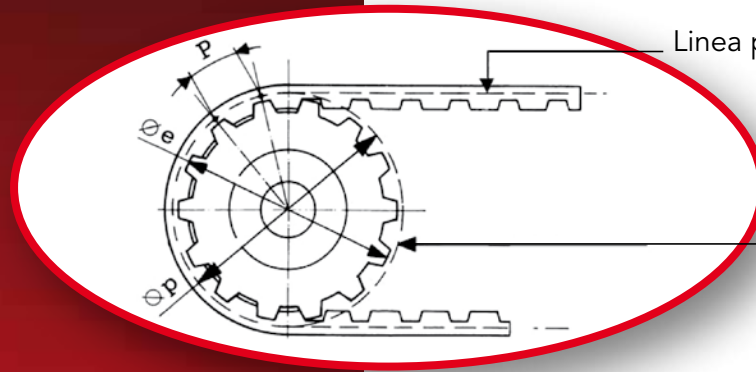


Le immagini non sono identificative del prodotto.



# PULEGGE DENTATE PASSO METRICO T

## CARATTERISTICHE DIMENSIONALI



Linea primitiva della cinghia

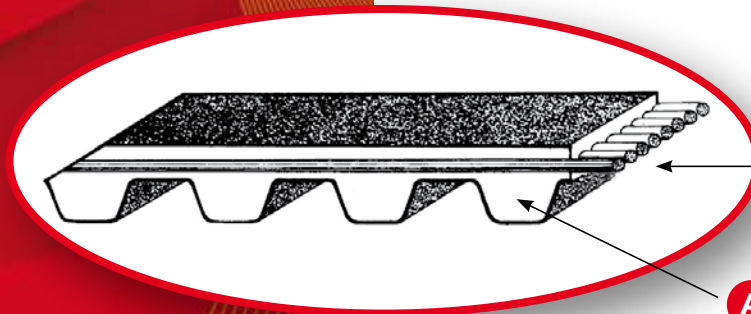
Circonferenza primitiva della puleggia

## SIMBOLI

- P = passo
- Z = N° denti
- Ø p = diametro primitivo puleggia
- Ø e = diametro esterno puleggia
- Lp = larghezza puleggia
- Lc = larghezza cinghia
- Lpc = lunghezza primitiva cinghia

**12 - T10 - 440**

- 12 = larghezza cinghia in mm.
- T10 = passo dentatura in mm.
- 440 = lunghezza primitiva in mm.

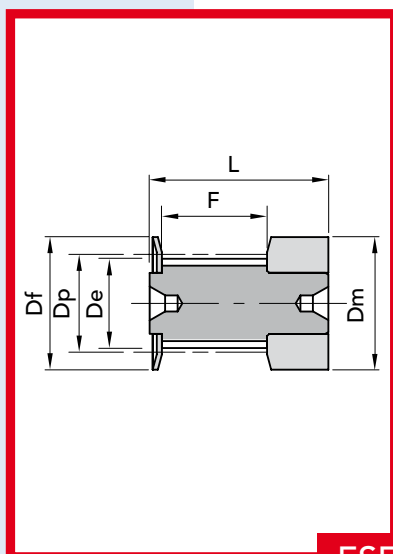


**B**  
Inserito resistente in acciaio

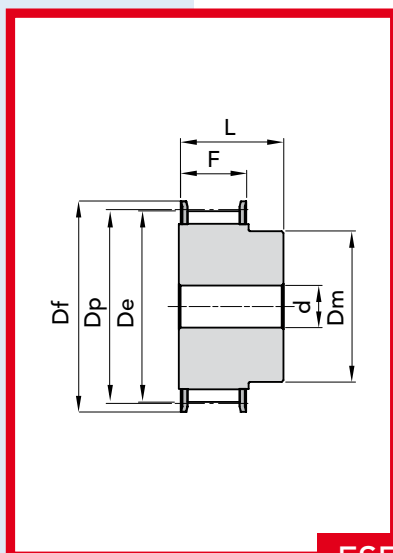
**A**  
Corpo della cinghia in poliuretano

## LARGHEZZA STANDARD DELLE CINGHIE E TOLLERANZE DI TAGLIO

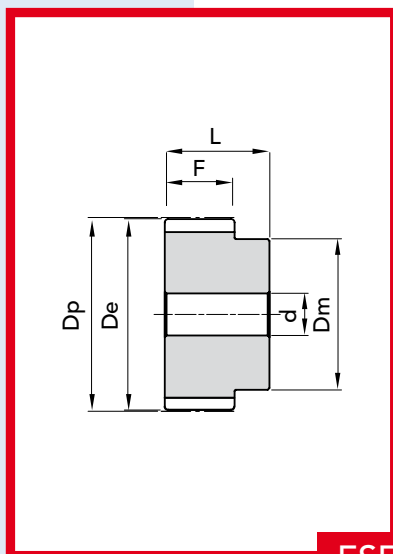
Passo Cinghia	Larghezza Cinghia (mm)	Tolleranza sulla larghezza (mm)
<b>T 2.5 (2.5 mm)</b>	6	± 0.03
<b>T 5 (5 mm)</b>	10	± 0.5
	16	
	25	
<b>T 10 (10 mm)</b>	16	± 0.5
	25	
	32	
	50	



ESECUZIONE 0F



ESECUZIONE 1F

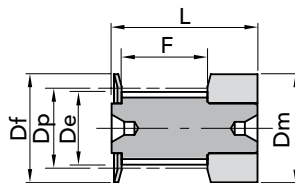
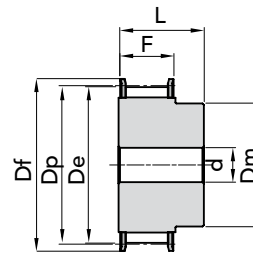
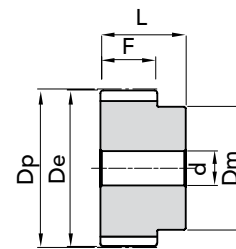


ESECUZIONE 2


**TIPO T 2.5**

PASSO 2.5 mm

per cinghia larghezza 6mm


**ESEC. 0F**

**ESEC. 1F**

**ESEC. 2**

TIPO	CODICE	ESEC.	N. DENTI	Dp	De	Df FLANGIA	Dm MOZZO	F	L	d	N. FLANGIA	Peso Kg.
16 T2,5 12	45021612	0F	12	9,60	9,00	13,0	13	9	16	-	501	0,01
16 T2,5 14	45021614	0F	14	11,20	10,60	15,0	15	9	16	-	502	0,01
16 T2,5 15	45021615	0F	15	12,00	11,40	15,0	15	9	16	-	502	0,01
16 T2,5 16	45021616	0F	16	12,80	12,20	16,0	16	9	16	-	503	0,01
16 T2,5 18	45021618	1F	18	14,40	13,80	17,5	10	10	16	-	504	0,01
16 T2,5 19	45021619	1F	19	15,20	14,60	20,0	10	10	16	-	505	0,01
16 T2,5 20	45021620	1F	20	16,00	15,40	20,0	11	10	16	-	505	0,01
16 T2,5 22	45021622	1F	22	17,60	17,00	22,0	11	10	16	-	512	0,01
16 T2,5 24	45021624	1F	24	19,15	18,55	22,0	12	10	16	4	512	0,01
16 T2,5 25	45021625	1F	25	19,95	19,35	25,0	13	10	16	4	506	0,01
16 T2,5 26	45021626	1F	26	20,75	20,15	26,0	14	10	16	4	507	0,01
16 T2,5 28	45021628	1F	28	22,35	21,75	26,0	14	10	16	4	507	0,02
16 T2,5 30	45021630	1F	30	23,95	23,35	26,0	16	10	16	6	508	0,02
16 T2,5 32	45021632	1F	32	25,55	24,95	32,0	16	10	16	6	509	0,02
16 T2,5 36	45021636	1F	36	28,75	28,10	36,0	20	10	16	6	510	0,03
16 T2,5 40	45021640	1F	40	31,90	31,30	38,0	22	10	16	6	511	0,03
16 T2,5 44	45021644	2	44	35,10	34,50	-	24	10	16	6	-	0,04
16 T2,5 48	45021648	2	48	38,30	37,70	-	26	10	16	6	-	0,05
16 T2,5 60	45021660	2	60	47,85	47,25	-	34	10	16	8	-	0,07

 MATERIALE **ALLUMINIO**
**A RICHIESTA si costruiscono pulegge passo T 20**

 Disegni CAD disponibili sul sito  
[www.chiaravalli.com](http://www.chiaravalli.com)

 Quantità, disponibilità e prezzi  
 con B2B Chiaravalli

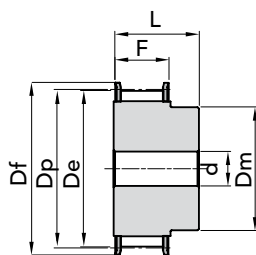




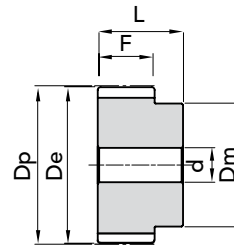

## TIPO T 5

PASSO 5 mm

per cinghia larghezza 10mm



ESEC. 1F



ESEC. 2

TIPO	CODICE	ESEC.	N. DENTI	Dp	De	Df FLANGIA	Dm MOZZO	F	L	d	N. FLANGIA	Peso Kg.
21 T5 10	45052110	1F	10	15,92	15,05	19,5	8	15	21	-	3	0,01
21 T5 12	45052112	1F	12	19,10	18,25	23,0	11	15	21	-	1	0,01
21 T5 14	45052114	1F	14	22,29	21,45	25,0	13	15	21	-	2	0,02
21 T5 15	45052115	1F	15	23,88	23,05	28,0	16	15	21	6	4	0,02
21 T5 16	45052116	1F	16	25,47	24,60	32,0	18	15	21	6	5	0,03
21 T5 18	45052118	1F	18	28,65	27,80	32,0	20	15	21	6	6	0,03
21 T5 19	45052119	1F	19	30,25	29,40	36,0	22	15	21	6	8	0,04
21 T5 20	45052120	1F	20	31,83	31,00	36,0	23	15	21	6	8	0,04
21 T5 22	45052122	1F	22	35,02	34,15	38,0	24	15	21	6	9	0,05
21 T5 24	45052124	1F	24	38,21	37,40	42,0	26	15	21	6	13	0,06
21 T5 25	45052125	1F	25	29,80	38,95	44,0	26	15	21	6	12	0,06
21 T5 26	45052126	1F	26	41,39	40,60	44,0	26	15	21	6	12	0,06
21 T5 27	45052127	1F	27	42,98	42,20	48,0	30	15	21	8	11	0,07
21 T5 28	45052128	1F	28	44,58	43,75	48,0	32	15	21	8	11	0,07
21 T5 30	45052130	1F	30	47,76	46,95	51,0	34	15	21	8	16	0,07
21 T5 32	45052132	1F	32	50,94	50,10	54,0	38	15	21	8	18	0,09
21 T5 36	45052136	1F	36	57,31	56,45	64,0	38	15	21	8	23	0,11
21 T5 40	45052140	1F	40	63,66	62,85	66,5	40	15	21	8	24	0,14
21 T5 42	45052142	1F	42	66,86	66,00	70,0	40	15	21	8	26	0,18
21 T5 44	45052144	2	44	70,05	69,20	-	45	15	21	8	-	0,18
21 T5 48	45052148	2	48	76,42	75,55	-	50	15	21	8	-	0,20
21 T5 60	45052160	2	60	95,52	94,65	-	65	15	21	8	-	0,31

PULEGGE DENTATE PASSO METRICO TIPO T 5 (passo 5mm)

7

MATERIALE ALLUMINIO

**A RICHIESTA si costruiscono pulegge passo T 20**

Disegni CAD disponibili sul sito  
[www.chiaravalli.com](http://www.chiaravalli.com)

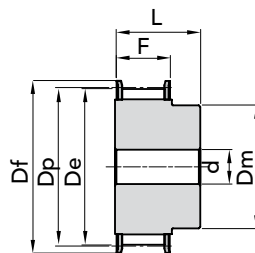
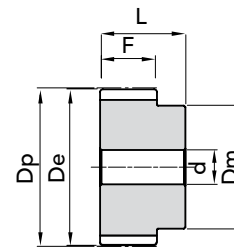
Quantità, disponibilità e prezzi  
con B2B Chiaravalli



Le immagini non sono identificative del prodotto.


**TIPO T 5**
**PASSO 5 mm**

per cinghia larghezza 16mm


**ESEC. 1F**

**ESEC. 2**

TIPO	CODICE	ESEC.	N. DENTI	Dp	De	Df FLANGIA	Dm MOZZO	F	L	d	N. FLANGIA	Peso kg.
27 T5 10	45052710	1F	10	15,92	15,05	19,5	8	21	27	-	3	0,02
27 T5 12	45052712	1F	12	19,10	18,25	23,0	11	21	27	-	1	0,02
27 T5 14	45052714	1F	14	22,29	21,45	25,0	13	21	27	-	2	0,03
27 T5 15	45052715	1F	15	23,88	23,05	28,0	16	21	27	6	4	0,03
27 T5 16	45052716	1F	16	25,47	24,60	32,0	18	21	27	6	5	0,04
27 T5 18	45052718	1F	18	28,65	27,80	32,0	20	21	27	6	6	0,04
27 T5 19	45052719	1F	19	30,25	29,40	36,0	22	21	27	6	8	0,05
27 T5 20	45052720	1F	20	31,83	31,00	36,0	23	21	27	6	8	0,06
27 T5 22	45052722	1F	22	35,02	34,15	38,0	24	21	27	6	9	0,06
27 T5 24	45052724	1F	24	38,21	37,40	42,0	26	21	27	6	13	0,08
27 T5 25	45052725	1F	25	39,80	38,95	44,0	26	21	27	6	12	0,08
27 T5 26	45052726	1F	26	41,39	40,60	44,0	26	21	27	6	12	0,09
27 T5 27	45052727	1F	27	42,98	42,20	48,0	30	21	27	8	11	0,09
27 T5 28	45052728	1F	28	44,58	43,75	48,0	32	21	27	8	11	0,09
27 T5 30	45052730	1F	30	47,76	46,95	51,0	34	21	27	8	16	0,10
27 T5 32	45052732	1F	32	50,94	50,10	54,0	38	21	27	8	18	0,12
27 T5 36	45052736	1F	36	57,31	56,45	64,0	38	21	27	8	23	0,16
27 T5 40	45052740	1F	40	63,66	62,85	66,5	40	21	27	8	24	0,19
27 T5 42	45052742	1F	42	66,86	66,00	70,0	40	21	27	8	26	0,20
27 T5 44	45052744	2	44	70,05	69,20	-	45	21	27	8	-	0,23
27 T5 48	45052748	2	48	76,42	75,55	-	50	21	27	8	-	0,28
27 T5 60	45052760	2	60	95,52	94,65	-	65	21	27	8	-	0,43

 MATERIALE **ALLUMINIO**
**A RICHIESTA si costruiscono  
pulegge passo T 20**

 Disegni CAD disponibili sul sito  
[www.chiaravalli.com](http://www.chiaravalli.com)

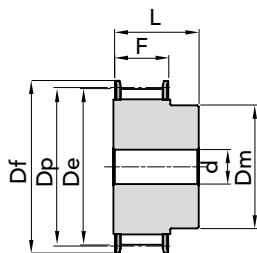
 Quantità, disponibilità e prezzi  
 con B2B Chiaravalli



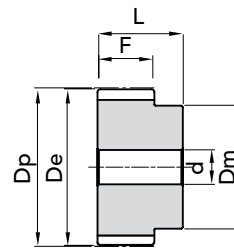

## TIPO T 5

PASSO 5 mm

per cinghia larghezza 25mm



ESEC. 1F



ESEC. 2

TIPO	CODICE	ESEC.	N. DENTI	Dp	De	Df FLANGIA	Dm MOZZO	F	L	d	N. FLANGIA	Peso Kg.
36 T5 10	45053610	1F	10	15,92	15,05	19,5	8	30	36	-	3	0,02
36 T5 12	45053612	1F	12	19,10	18,25	23,0	11	30	36	-	1	0,03
36 T5 14	45053614	1F	14	22,29	21,45	25,0	13	30	36	-	2	0,04
36 T5 15	45053615	1F	15	23,88	23,05	28,0	16	30	36	6	4	0,04
36 T5 16	45053616	1F	16	25,47	24,60	32,0	18	30	36	6	5	0,05
36 T5 18	45053618	1F	18	28,65	27,80	32,0	20	30	36	6	6	0,06
36 T5 19	45053619	1F	19	30,25	29,40	36,0	22	30	36	6	8	0,07
36 T5 20	45053620	1F	20	31,83	31,00	36,0	23	30	36	6	8	0,08
36 T5 22	45053622	1F	22	35,02	34,15	38,0	24	30	36	6	9	0,08
36 T5 24	45053624	1F	24	38,21	37,40	42,0	26	30	36	8	13	0,11
36 T5 25	45053625	1F	25	39,80	38,95	44,0	26	30	36	8	12	0,12
36 T5 26	45053626	1F	26	41,39	40,60	44,0	26	30	36	8	12	0,12
36 T5 27	45053627	1F	27	42,98	42,20	48,0	30	30	36	8	11	0,13
36 T5 28	45053628	1F	28	44,58	43,75	48,0	32	30	36	8	11	0,14
36 T5 30	45053630	1F	30	47,76	46,95	51,0	34	30	36	8	16	0,15
36 T5 32	45053632	1F	32	50,94	50,10	54,0	38	30	36	8	18	0,18
36 T5 36	45053636	1F	36	57,31	56,45	64,0	38	30	36	8	23	0,23
36 T5 40	45053640	1F	40	63,66	62,85	66,5	40	30	36	8	24	0,28
36 T5 42	45053642	1F	42	66,86	66,00	70,0	40	30	36	8	26	0,29
36 T5 44	45053644	2	44	70,05	69,20	-	45	30	36	8	-	0,31
36 T5 48	45053648	2	48	76,42	75,55	-	50	30	36	8	-	0,40
36 T5 60	45053660	2	60	95,52	94,65	-	65	30	36	8	-	0,61

PULEGGE DENTATE PASSO METRICO TIPO T 5 (passo 5mm)

7

MATERIALE **ALLUMINIO**

**A RICHIESTA si costruiscono  
pulegge passo T 20**

Disegni CAD disponibili sul sito  
[www.chiaravalli.com](http://www.chiaravalli.com)

**Quantità, disponibilità e prezzi  
con B2B Chiaravalli**



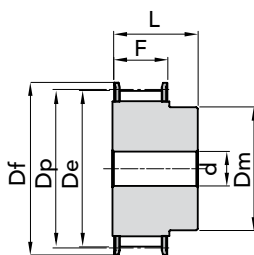
Le immagini non sono identificative del prodotto.



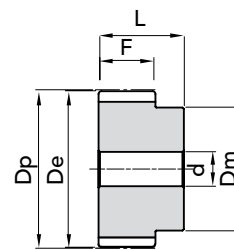
## TIPO T 10

PASSO 10 mm

per cinghia larghezza 16mm



ESEC. 1F



ESEC. 2

TIPO	CODICE	ESEC.	N. DENTI	Dp	De	Df FLANGIA	Dm MOZZO	F	L	d	N. FLANGIA	Peso Kg.
31 T10 12	45103112	1F	12	38,20	36,35	42,0	28	21	31	6	13	0,08
31 T10 14	45103114	1F	14	44,56	42,70	48,0	32	21	31	8	11	0,10
31 T10 15	45103115	1F	15	47,75	45,90	51,0	32	21	31	8	16	0,12
31 T10 16	45103116	1F	16	50,93	49,10	54,0	35	21	31	8	18	0,13
31 T10 18	45103118	1F	18	57,29	55,45	60,0	40	21	31	8	21	0,17
31 T10 19	45103119	1F	19	60,48	58,65	66,0	44	21	31	8	24	0,18
31 T10 20	45103120	1F	20	63,66	61,80	66,0	46	21	31	8	24	0,21
31 T10 22	45103122	1F	22	70,03	68,20	75,0	52	21	31	8	27	0,25
31 T10 24	45103124	1F	24	76,39	74,55	83,0	58	21	31	8	29	0,29
31 T10 25	45103125	1F	25	79,58	77,75	83,0	60	21	31	8	29	0,31
31 T10 26	45103126	1F	26	82,76	80,90	87,0	60	21	31	8	31	0,36
31 T10 27	45103127	1F	27	85,95	84,10	91,0	60	21	31	8	32	0,37
31 T10 28	45103128	1F	28	89,12	87,25	93,0	60	21	31	8	33	0,40
31 T10 30	45103130	1F	30	95,49	93,65	102,0	60	21	31	8	35	0,44
31 T10 32	45103132	1F	32	101,86	100,00	106,0	65	21	31	10	38	0,49
31 T10 36	45103136	1F	36	114,59	112,75	119,0	70	21	31	10	43	0,62
31 T10 40	45103140	1F	40	127,32	125,45	131,0	80	21	31	10	47	0,77
31 T10 44	45103144	2	44	140,05	138,20	-	88	21	31	10	-	1,00
31 T10 48	45103148	2	48	152,78	150,95	-	95	21	31	16	-	1,10
31 T10 60	45103160	2	60	190,98	189,10	-	110	21	31	16	-	1,70

MATERIALE ALLUMINIO

A RICHIESTA si costruiscono  
pulegge passo T 20

Disegni CAD disponibili sul sito  
[www.chiaravalli.com](http://www.chiaravalli.com)

Quantità, disponibilità e prezzi  
con B2B Chiaravalli

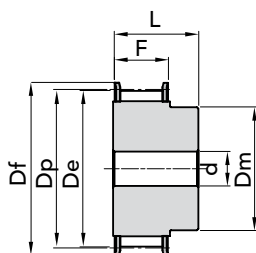




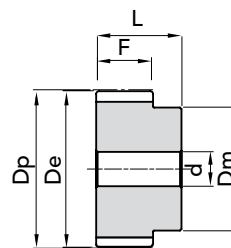
## TIPO T 10

PASSO 10 mm

per cinghia larghezza 25mm



ESEC. 1F



ESEC. 2

TIPO	CODICE	ESEC.	N. DENTI	Dp	De	Df FLANGIA	Dm MOZZO	F	L	d	N. FLANGIA	Peso kg.
40 T10 12	45104012	1F	12	38,20	36,35	42,0	28	30	40	6	13	0,10
40 T10 14	45104014	1F	14	44,56	42,70	48,0	32	30	40	8	11	0,13
40 T10 15	45104015	1F	15	47,75	45,90	51,0	32	30	40	8	16	0,15
40 T10 16	45104016	1F	16	50,93	49,10	54,0	35	30	40	8	18	0,18
40 T10 18	45104018	1F	18	57,29	55,45	60,0	40	30	40	8	21	0,22
40 T10 19	45104019	1F	19	60,48	58,65	66,0	44	30	40	8	24	0,25
40 T10 20	45104020	1F	20	63,66	61,80	66,0	46	30	40	8	24	0,28
40 T10 22	45104022	1F	22	70,03	68,20	75,0	52	30	40	8	27	0,34
40 T10 24	45104024	1F	24	76,39	74,55	83,0	58	30	40	8	29	0,39
40 T10 25	45104025	1F	25	79,58	77,75	83,0	60	30	40	8	29	0,42
40 T10 26	45104026	1F	26	82,76	80,90	87,0	60	30	40	8	31	0,48
40 T10 27	45104027	1F	27	85,95	84,10	91,0	60	30	40	8	32	0,54
40 T10 28	45104028	1F	28	89,12	87,25	93,0	60	30	40	8	33	0,55
40 T10 30	45104030	1F	30	95,49	93,65	102,0	60	30	40	8	35	0,64
40 T10 32	45104032	1F	32	101,86	100,00	106,0	65	30	40	10	38	0,69
40 T10 36	45104036	1F	36	114,59	112,75	119,0	70	30	40	10	43	0,87
40 T10 40	45104040	1F	40	127,32	125,45	131,0	80	30	40	10	47	1,07
40 T10 44	45104044	2	44	140,05	138,20	-	88	30	40	10	-	1,35
40 T10 48	45104048	2	48	152,78	150,95	-	95	30	40	16	-	1,52
40 T10 60	45104060	2	60	190,98	189,15	-	110	30	40	16	-	2,34

PULEGGE DENTATE PASSO METRICO TIPO T 10 (passo 10mm)

7

MATERIALE ALLUMINIO

**A RICHIESTA si costruiscono  
pulegge passo T 20**

Disegni CAD disponibili sul sito  
[www.chiaravalli.com](http://www.chiaravalli.com)

Quantità, disponibilità e prezzi  
con B2B Chiaravalli



Le immagini non sono identificative del prodotto.

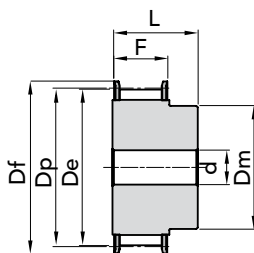




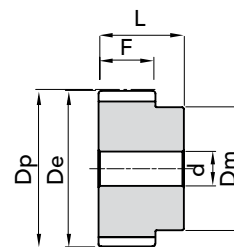
## TIPO T 10

PASSO 10 mm

per cinghia larghezza 32mm



ESEC. 1F



ESEC. 2

TIPO	CODICE	ESEC.	N. DENTI	Dp	De	Df FLANGIA	Dm MOZZO	F	L	d	N. FLANGIA	Peso Kg.
47 T10 18	45104718	1F	18	57,29	55,45	60,0	40	37	47	10	21	0,25
47 T10 19	45104719	1F	19	60,48	58,60	66,0	44	37	47	10	24	0,29
47 T10 20	45104720	1F	20	63,66	61,80	66,0	46	37	47	12	24	0,32
47 T10 22	45104722	1F	22	70,03	68,20	75,0	52	37	47	12	27	0,39
47 T10 24	45104724	1F	24	76,39	74,55	83,0	58	37	47	12	29	0,47
47 T10 25	45104725	1F	25	79,58	77,75	83,0	60	37	47	12	29	0,53
47 T10 26	45104726	1F	26	82,76	80,90	87,0	60	37	47	12	31	0,56
47 T10 27	45104727	1F	27	85,95	84,10	91,0	60	37	47	12	32	0,60
47 T10 28	45104728	1F	28	89,12	87,25	93,0	60	37	47	12	33	0,64
47 T10 30	45104730	1F	30	95,49	93,65	102,0	60	37	47	12	35	0,74
47 T10 32	45104732	1F	32	101,86	100,00	106,0	65	37	47	12	38	0,84
47 T10 36	45104736	1F	36	114,59	112,75	119,0	70	37	47	16	43	1,06
47 T10 40	45104740	1F	40	127,32	125,45	131,0	80	37	47	16	47	1,32
47 T10 44	45104744	2	44	140,05	138,20	-	88	37	47	16	-	1,61
47 T10 48	45104748	2	48	152,78	150,95	-	95	37	47	16	-	1,93
47 T10 60	45104760	2	60	190,98	189,10	-	110	37	47	16	-	3,00

MATERIALE ALLUMINIO

A RICHIESTA si costruiscono  
pulegge passo T 20

Disegni CAD disponibili sul sito  
[www.chiaravalli.com](http://www.chiaravalli.com)

Quantità, disponibilità e prezzi  
con B2B Chiaravalli

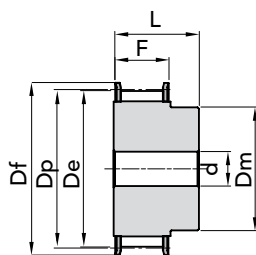




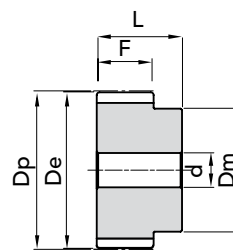
## TIPO T 10

PASSO 10 mm

per cinghia larghezza 50mm



ESEC. 1F



ESEC. 2

TIPO	CODICE	ESEC.	N. DENTI	Dp	De	Df FLANGIA	Dm MOZZO	F	L	d	N. FLANGIA	Peso Kg.
66 T10 18	45106618	1F	18	57,29	55,45	60,0	40	56	66	10	21	0,42
66 T10 19	45106619	1F	19	60,48	58,65	66,0	44	56	66	10	24	0,47
66 T10 20	45106620	1F	20	63,66	61,80	66,0	46	56	66	12	24	0,52
66 T10 22	45106622	1F	22	70,03	68,20	75,0	52	56	66	12	27	0,57
66 T10 24	45106624	1F	24	76,39	74,55	83,0	58	56	66	12	29	0,74
66 T10 25	45106625	1F	25	79,58	77,70	83,0	60	56	66	12	29	0,77
66 T10 26	45106626	1F	26	82,76	80,90	87,0	60	56	66	12	31	0,82
66 T10 27	45106627	1F	27	85,95	84,10	91,0	60	56	66	12	32	0,95
66 T10 28	45106628	1F	28	89,12	87,25	93,0	60	56	66	12	33	0,96
66 T10 30	45106630	1F	30	95,49	93,65	102,0	60	56	66	12	35	1,17
66 T10 32	45106632	1F	32	101,86	100,00	106,0	65	56	66	12	38	1,30
66 T10 36	45106636	1F	36	114,59	112,75	119,0	70	56	66	16	43	1,64
66 T10 40	45106640	1F	40	127,32	125,45	131,0	80	56	66	16	47	2,00
66 T10 44	45106644	2	44	140,05	138,20	-	88	56	66	16	-	2,36
66 T10 48	45106648	2	48	152,78	150,95	-	95	56	66	16	-	2,83
66 T10 60	45106660	2	60	190,98	189,10	-	110	56	66	16	-	4,37

PULEGGE DENTATE PASSO METRICO TIPO T 10 (passo 10mm)

7

MATERIALE ALLUMINIO

A RICHIESTA si costruiscono  
pulegge passo T 20

Disegni CAD disponibili sul sito  
[www.chiaravalli.com](http://www.chiaravalli.com)

Quantità, disponibilità e prezzi  
con B2B Chiaravalli

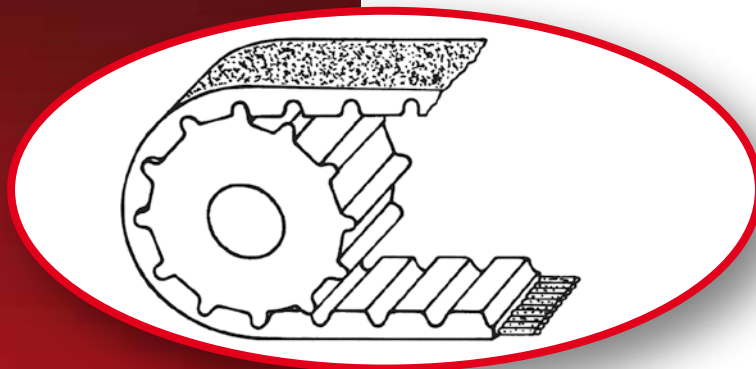


Le immagini non sono identificative del prodotto.



# PULEGGE DENTATE PASSO METRICO AT

## CARATTERISTICHE DIMENSIONALI

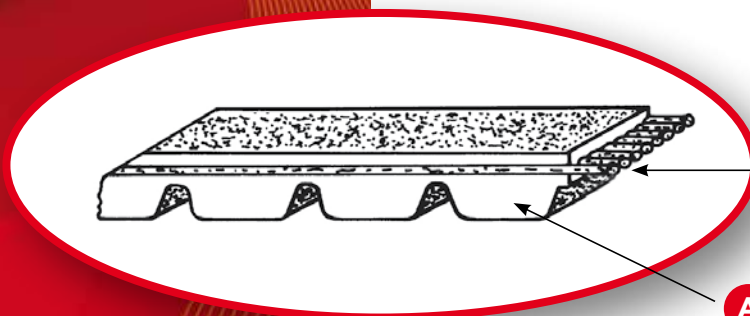


### SIMBOLI

- P = passo
- Z = N° denti
- $\varnothing p$  = diametro primitivo puleggia
- $\varnothing e$  = diametro esterno puleggia
- Lp = larghezza puleggia
- Lc = larghezza cinghia
- Lpc = lunghezza primitiva cinghia

12 - AT10 - 440

- 12 = larghezza cinghia in mm.
- AT10 = passo dentatura in mm.
- 440 = lunghezza primitiva in mm.



**B**  
Inserto resistente in acciaio

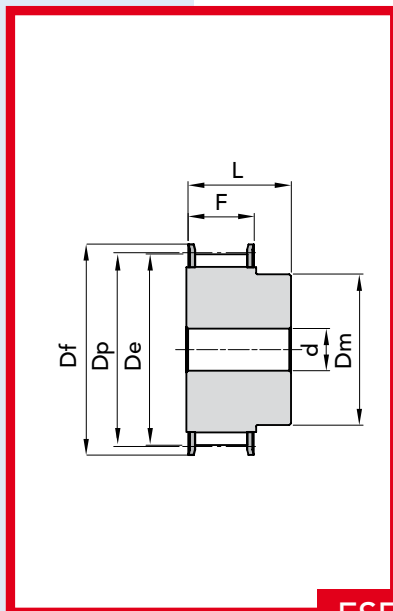
**A**  
Corpo della cinghia in poliuretano

### N.B.

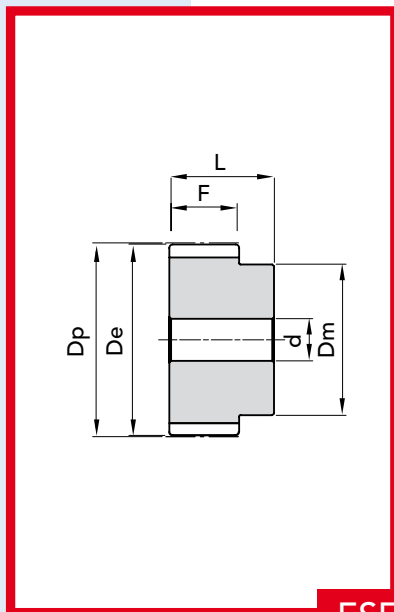
Il profilo "AT" è un'ottimizzazione del passo metrico "T", permette un ingranamento migliore della cinghia con conseguente minore rumorosità, potenza trasmissibile maggiore ~ 30% rispetto al tipo "T"

### CAMPI D'IMPIEGO:

macchine utensili, elettrodomestici, macchine tessili, macchine per l'imballaggio, macchine per scrivere e calcolatrici, macchine per cucire, ecc.



**ESECUZIONE 1F**



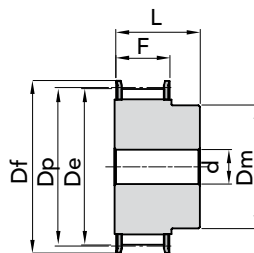
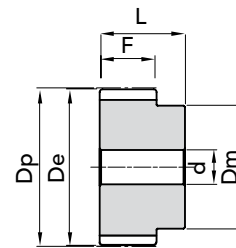
**ESECUZIONE 2**



## TIPO CT 5

### PASSO 5 mm

per cinghia larghezza 10mm


**ESEC. 1F**

**ESEC. 2**

TIPO	CODICE	ESEC.	N. DENTI	Dp	De	Df FLANGIA	Dm MOZZO	F	L	d	N. FLANGIA	Peso Kg.
21 CT 5 Z 12	46052112	1F	12	19,10	17,85	23,0	11	15	21	-	1	0,01
21 CT 5 Z 14	46052114	1F	14	22,29	21,05	25,0	13	15	21	-	2	0,02
21 CT 5 Z 15	46052115	1F	15	23,88	22,65	28,0	16	15	21	6	4	0,02
21 CT 5 Z 16	46052116	1F	16	25,47	24,20	32,0	18	15	21	6	5	0,03
21 CT 5 Z 18	46052118	1F	18	28,65	27,40	32,0	20	15	21	6	6	0,03
21 CT 5 Z 19	46052119	1F	19	30,25	29,00	36,0	22	15	21	6	8	0,04
21 CT 5 Z 20	46052120	1F	20	31,83	30,60	36,0	23	15	21	6	8	0,04
21 CT 5 Z 22	46052122	1F	22	35,02	33,85	38,0	24	15	21	6	9	0,05
21 CT 5 Z 24	46052124	1F	24	38,21	37,00	42,0	26	15	21	6	13	0,06
21 CT 5 Z 25	46052125	1F	25	39,80	38,60	44,0	26	15	21	6	12	0,06
21 CT 5 Z 26	46052126	1F	26	41,39	40,20	44,0	26	15	21	6	12	0,06
21 CT 5 Z 27	46052127	1F	27	42,98	41,80	48,0	30	15	21	8	11	0,07
21 CT 5 Z 28	46052128	1F	28	44,58	43,35	48,0	32	15	21	8	11	0,07
21 CT 5 Z 30	46052130	1F	30	47,76	46,55	51,0	34	15	21	8	16	0,07
21 CT 5 Z 32	46052132	1F	32	50,94	49,70	54,0	38	15	21	8	18	0,09
21 CT 5 Z 36	46052136	1F	36	57,31	56,05	64,0	38	15	21	8	23	0,11
21 CT 5 Z 40	46052140	1F	40	63,66	62,45	66,5	40	15	21	8	24	0,14
21 CT 5 Z 42	46052142	1F	42	66,86	65,60	70,0	40	15	21	8	26	0,18
21 CT 5 Z 44	46052144	2	44	70,05	68,80	-	45	15	21	8	-	0,18
21 CT 5 Z 48	46052148	2	48	76,42	75,15	-	50	15	21	8	-	0,20
21 CT 5 Z 60	46052160	2	60	95,52	94,25	-	65	15	21	8	-	0,31

MATERIALE **ALLUMINIO**

**A RICHIESTA si costruiscono  
pulegge passo CT 20**

Disegni CAD disponibili sul sito  
[www.chiaravalli.com](http://www.chiaravalli.com)

Quantità, disponibilità e prezzi  
con B2B Chiaravalli



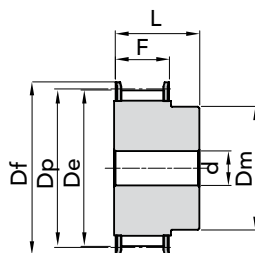




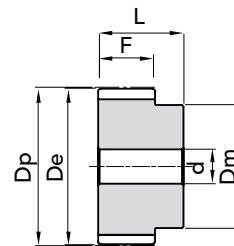
## TIPO CT 5

PASSO 5 mm

per cinghia larghezza 16mm



ESEC. 1F



ESEC. 2

TIPO	CODICE	ESEC.	N. DENTI	Dp	De	Df FLANGIA	Dm MOZZO	F	L	d	N. FLANGIA	Peso Kg.
27 CT 5 Z 12	46052712	1F	12	19,10	17,85	23,0	11	21	27	-	1	0,02
27 CT 5 Z 14	46052714	1F	14	22,29	21,05	25,0	13	21	27	-	2	0,03
27 CT 5 Z 15	46052715	1F	15	23,88	22,65	28,0	16	21	27	6	4	0,03
27 CT 5 Z 16	46052716	1F	16	25,47	24,20	32,0	18	21	27	6	5	0,04
27 CT 5 Z 18	46052718	1F	18	28,65	27,40	32,0	20	21	27	6	6	0,04
27 CT 5 Z 19	46052719	1F	19	30,25	29,00	36,0	22	21	27	6	8	0,05
27 CT 5 Z 20	46052720	1F	20	31,83	30,60	36,0	23	21	27	6	8	0,06
27 CT 5 Z 22	46052722	1F	22	35,02	33,85	38,0	24	21	27	6	9	0,06
27 CT 5 Z 24	46052724	1F	24	38,21	37,00	42,0	26	21	27	6	13	0,08
27 CT 5 Z 25	46052725	1F	25	39,80	38,60	44,0	26	21	27	6	12	0,08
27 CT 5 Z 26	46052726	1F	26	41,39	40,20	44,0	26	21	27	6	12	0,09
27 CT 5 Z 27	46052727	1F	27	42,98	41,80	48,0	30	21	27	8	11	0,09
27 CT 5 Z 28	46052728	1F	28	44,58	43,35	48,0	32	21	27	8	11	0,09
27 CT 5 Z 30	46052730	1F	30	47,76	46,55	51,0	34	21	27	8	16	0,10
27 CT 5 Z 32	46052732	1F	32	50,94	49,70	54,0	38	21	27	8	18	0,12
27 CT 5 Z 36	46052736	1F	36	57,31	56,05	64,0	38	21	27	8	23	0,16
27 CT 5 Z 40	46052740	1F	40	63,66	62,45	66,5	40	21	27	8	24	0,19
27 CT 5 Z 42	46052742	1F	42	66,86	65,60	70,0	40	21	27	8	26	0,20
27 CT 5 Z 44	46052744	2	44	70,05	68,80	-	45	21	27	8	-	0,23
27 CT 5 Z 48	46052748	2	48	76,42	75,15	-	50	21	27	8	-	0,28
27 CT 5 Z 60	46052760	2	60	95,52	94,25	-	65	21	27	8	-	0,43

PULEGGE DENTATE PASSO METRICO TIPO CT 5 (passo 5mm)

7

MATERIALE **ALLUMINIO**

**A RICHIESTA si costruiscono pulegge passo CT 20**

Disegni CAD disponibili sul sito [www.chiaravalli.com](http://www.chiaravalli.com)

Quantità, disponibilità e prezzi con B2B Chiaravalli



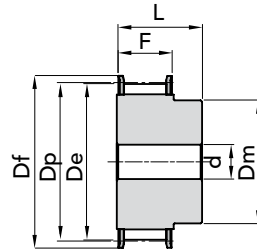
Le immagini non sono identificative del prodotto.



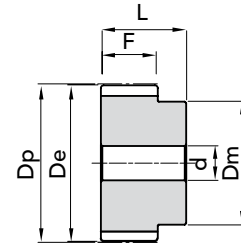
## TIPO CT 5

PASSO 5 mm

per cinghia larghezza 25mm



ESEC. 1F



ESEC. 2

TIPO	CODICE	ESEC.	N. DENTI	Dp	De	Df FLANGIA	Dm MOZZO	F	L	d	N. FLANGIA	Peso Kg.
36 CT 5 Z 12	46053612	1F	12	19,10	17,85	23,0	11	30	36	-	1	0,03
36 CT 5 Z 14	46053614	1F	14	22,29	21,05	25,0	13	30	36	-	2	0,04
36 CT 5 Z 15	46053615	1F	15	23,88	22,65	28,0	16	30	36	6	4	0,04
36 CT 5 Z 16	46053616	1F	16	25,47	24,20	32,0	18	30	36	6	5	0,05
36 CT 5 Z 18	46053618	1F	18	28,65	27,40	32,0	20	30	36	6	6	0,06
36 CT 5 Z 19	46053619	1F	19	30,25	29,00	36,0	22	30	36	6	8	0,07
36 CT 5 Z 20	46053620	1F	20	31,83	30,60	36,0	23	30	36	6	8	0,08
36 CT 5 Z 22	46053622	1F	22	35,02	33,85	38,0	24	30	36	6	9	0,08
36 CT 5 Z 24	46053624	1F	24	38,21	37,00	42,0	26	30	36	6	13	0,11
36 CT 5 Z 25	46053625	1F	25	39,80	38,60	44,0	26	30	36	6	12	0,12
36 CT 5 Z 26	46053626	1F	26	41,39	40,20	44,0	26	30	36	6	12	0,12
36 CT 5 Z 27	46053627	1F	27	42,98	41,80	48,0	30	30	36	8	11	0,13
36 CT 5 Z 28	46053628	1F	28	44,58	43,35	48,0	32	30	36	8	11	0,14
36 CT 5 Z 30	46053630	1F	30	47,76	46,55	51,0	34	30	36	8	16	0,15
36 CT 5 Z 32	46053632	1F	32	50,94	49,70	54,0	38	30	36	8	18	0,18
36 CT 5 Z 36	46053636	1F	36	57,31	56,05	64,0	38	30	36	8	23	0,23
36 CT 5 Z 40	46053640	1F	40	63,66	62,45	66,5	40	30	36	8	24	0,28
36 CT 5 Z 42	46053642	1F	42	66,86	65,60	70,0	40	30	36	8	26	0,29
36 CT 5 Z 44	46053644	2	44	70,05	68,80	-	45	30	36	8	-	0,31
36 CT 5 Z 48	46053648	2	48	76,42	75,15	-	50	30	36	8	-	0,40
36 CT 5 Z 60	46053660	2	60	95,52	94,25	-	65	30	36	8	-	0,61

MATERIALE **ALLUMINIO**

**A RICHIESTA si costruiscono  
pulegge passo CT 20**

Disegni CAD disponibili sul sito  
[www.chiaravalli.com](http://www.chiaravalli.com)

Quantità, disponibilità e prezzi  
con B2B Chiaravalli

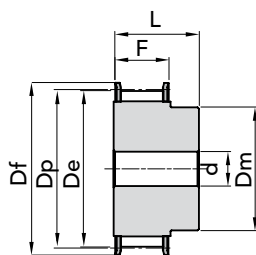




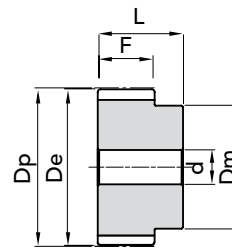
## TIPO CT 10

PASSO 10 mm

per cinghia larghezza 16mm



ESEC. 1F



ESEC. 2

TIPO	CODICE	ESEC.	N. DENTI	Dp	De	Df FLANGIA	Dm MOZZO	F	L	d	N. FLANGIA	Peso Kg.
31 CT10 15	46103115	1F	15	47,75	45,90	51	32	21	31	8	16	0,12
31 CT10 16	46103116	1F	16	50,93	49,05	54	35	21	31	8	18	0,13
31 CT10 18	46103118	1F	18	57,29	55,45	60	40	21	31	8	21	0,17
31 CT10 19	46103119	1F	19	60,48	58,60	66,5	44	21	31	8	24	0,18
31 CT10 20	46103120	1F	20	63,66	61,80	66,5	46	21	31	8	24	0,21
31 CT10 22	46103122	1F	22	70,03	68,15	75	52	21	31	8	27	0,25
31 CT10 24	46103124	1F	24	76,39	74,55	83	58	21	31	8	29	0,29
31 CT10 25	46103125	1F	25	79,58	77,70	83	60	21	31	8	29	0,31
31 CT10 26	46103126	1F	26	82,76	80,90	87	60	21	31	8	31	0,36
31 CT10 27	46103127	1F	27	85,95	84,10	91	60	21	31	8	32	0,37
31 CT10 28	46103128	1F	28	89,12	87,25	93	60	21	31	8	33	0,40
31 CT10 30	46103130	1F	30	95,49	93,65	102	60	21	31	8	35	0,44
31 CT10 32	46103132	1F	32	101,86	100,00	106	65	21	31	10	38	0,49
31 CT10 36	46103136	1F	36	114,59	112,75	119	70	21	31	10	43	0,62
31 CT10 40	46103140	1F	40	127,32	125,45	131	80	21	31	10	47	0,77
31 CT10 44	46103144	2	44	140,05	138,20	-	88	21	31	10	-	1,00
31 CT10 48	46103148	2	48	152,78	150,95	-	95	21	31	16	-	1,10
31 CT10 60	46103160	2	60	190,98	189,10	-	110	21	31	16	-	1,70

PULEGGE DENTATE PASSO METRICO TIPO CT 10 (passo 10mm)

7

MATERIALE ALLUMINIO

A RICHIESTA si costruiscono pulegge passo CT 20

Disegni CAD disponibili sul sito [www.chiaravalli.com](http://www.chiaravalli.com)

Quantità, disponibilità e prezzi con B2B Chiaravalli



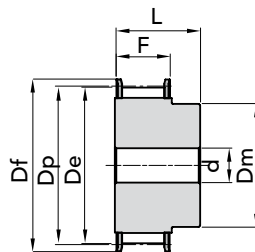
Le immagini non sono identificative del prodotto.



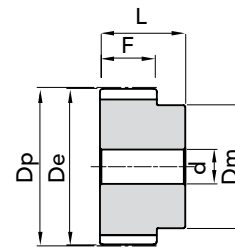
## TIPO **CT 10**

PASSO 10 mm

per cinghia larghezza 25mm



ESEC. 1F



ESEC. 2

TIPO	CODICE	ESEC.	N. DENTI	Dp	De	Df FLANGIA	Dm MOZZO	F	L	d	N. FLANGIA	Peso Kg.
40 CT10 15	46104015	1F	15	47,75	45,90	51	32	30	40	8	16	0,15
40 CT10 16	46104016	1F	16	50,93	49,05	54	35	30	40	8	18	0,18
40 CT10 18	46104018	1F	18	57,29	55,45	60	40	30	40	8	21	0,22
40 CT10 19	46104019	1F	19	60,48	58,60	66,5	44	30	40	8	24	0,25
40 CT10 20	46104020	1F	20	63,66	61,80	66,5	46	30	40	8	24	0,28
40 CT10 22	46104022	1F	22	70,03	68,15	75	52	30	40	8	27	0,34
40 CT10 24	46104024	1F	24	76,39	74,55	83	58	30	40	8	29	0,39
40 CT10 25	46104025	1F	25	79,58	77,70	83	60	30	40	8	29	0,42
40 CT10 26	46104026	1F	26	82,76	80,90	87	60	30	40	8	31	0,48
40 CT10 27	46104027	1F	27	85,95	84,10	91	60	30	40	8	32	0,54
40 CT10 28	46104028	1F	28	89,12	87,25	93	60	30	40	8	33	0,55
40 CT10 30	46104030	1F	30	95,49	93,65	102	60	30	40	8	35	0,64
40 CT10 32	46104032	1F	32	101,86	100,00	106	65	30	40	10	38	0,69
40 CT10 36	46104036	1F	36	114,59	112,75	119	70	30	40	10	43	0,87
40 CT10 40	46104040	1F	40	127,32	125,45	131	80	30	40	10	47	1,07
40 CT10 44	46104044	2	44	140,05	138,20	-	88	30	40	10	-	1,35
40 CT10 48	46104048	2	48	152,78	150,95	-	95	30	40	16	-	1,52
40 CT10 60	46104060	2	60	190,98	189,10	-	110	30	40	16	-	2,34

MATERIALE **ALLUMINIO**

**A RICHIESTA si costruiscono  
pulegge passo CT 20**

Disegni CAD disponibili sul sito  
[www.chiaravalli.com](http://www.chiaravalli.com)

Quantità, disponibilità e prezzi  
con B2B Chiaravalli

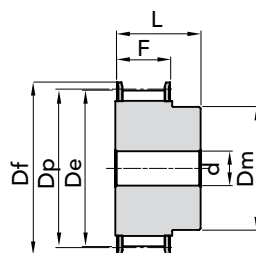




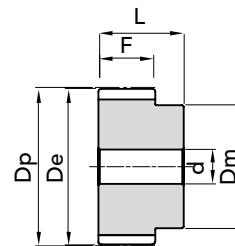
## TIPO CT 10

PASSO 10 mm

per cinghia larghezza 32mm



ESEC. 1F



ESEC. 2

TIPO	CODICE	ESEC.	N. DENTI	Dp	De	Df FLANGIA	Dm MOZZO	F	L	d	N. FLANGIA	Peso Kg.
47 CT10 18	46104718	1F	18	57,29	55,45	60	40	37	47	10	21	0,25
47 CT10 19	46104719	1F	19	60,48	58,60	66,5	44	37	47	10	24	0,29
47 CT10 20	46104720	1F	20	63,66	61,80	66,5	46	37	47	12	24	0,32
47 CT10 22	46104722	1F	22	70,03	68,15	75	52	37	47	12	27	0,39
47 CT10 24	46104724	1F	24	76,39	74,55	83	58	37	47	12	29	0,47
47 CT10 25	46104725	1F	25	79,58	77,70	83	60	37	47	12	29	0,53
47 CT10 26	46104726	1F	26	82,76	80,90	87	60	37	47	12	31	0,56
47 CT10 27	46104727	1F	27	85,95	84,10	91	60	37	47	12	32	0,60
47 CT10 28	46104728	1F	28	89,12	87,25	93	60	37	47	12	33	0,64
47 CT10 30	46104730	1F	30	95,49	93,65	102	60	37	47	12	35	0,74
47 CT10 32	46104732	1F	32	101,86	100,00	106	65	37	47	12	38	0,84
47 CT10 36	46104736	1F	36	114,59	112,75	119	70	37	47	16	43	1,06
47 CT10 40	46104740	1F	40	127,32	125,45	131	80	37	47	16	47	1,32
47 CT10 44	46104744	2	44	140,05	138,20	-	88	37	47	16	-	1,61
47 CT10 48	46104748	2	48	152,78	150,95	-	95	37	47	16	-	1,93
47 CT10 60	46104760	2	60	190,98	189,10	-	110	37	47	16	-	3,00

PULEGGE DENTATE PASSO METRICO TIPO CT 10 (passo 10mm)

7

MATERIALE **ALLUMINIO**

**A RICHIESTA si costruiscono pulegge passo CT 20**

Disegni CAD disponibili sul sito  
[www.chiaravalli.com](http://www.chiaravalli.com)

Quantità, disponibilità e prezzi  
con B2B Chiaravalli



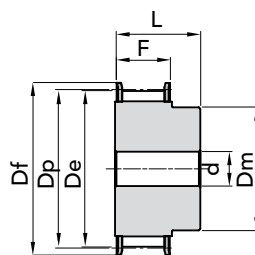
Le immagini non sono identificative del prodotto.



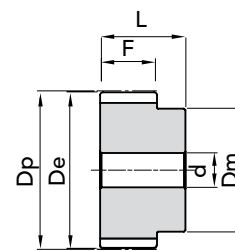

**TIPO CT 10**

PASSO 10 mm

per cinghia larghezza 50mm



ESEC. 1F



ESEC. 2

TIPO	CODICE	ESEC.	N. DENTI	Dp	De	Df FLANGIA	Dm MOZZO	F	L	d	N. FLANGIA	Peso Kg.
66 CT10 18	46106618	1F	18	57,29	55,45	60	40	56	66	10	21	0,42
66 CT10 19	46106619	1F	19	60,48	58,60	66,5	44	56	66	10	24	0,47
66 CT10 20	46106620	1F	20	63,66	61,80	66,5	46	56	66	12	24	0,52
66 CT10 22	46106622	1F	22	70,03	68,15	75	52	56	66	12	27	0,57
66 CT10 24	46106624	1F	24	76,39	74,55	83	58	56	66	12	29	0,74
66 CT10 25	46106625	1F	25	79,58	77,70	83	60	56	66	12	29	0,77
66 CT10 26	46106626	1F	26	82,76	80,90	87	60	56	66	12	31	0,82
66 CT10 27	46106627	1F	27	85,95	84,10	91	60	56	66	12	32	0,95
66 CT10 28	46106628	1F	28	89,12	87,25	93	60	56	66	12	33	0,96
66 CT10 30	46106630	1F	30	95,49	93,65	102	60	56	66	12	35	1,17
66 CT10 32	46106632	1F	32	101,86	100,00	106	65	56	66	12	38	1,30
66 CT10 36	46106636	1F	36	114,59	112,75	119	70	56	66	16	43	1,64
66 CT10 40	46106640	1F	40	127,32	125,45	131	80	56	66	16	47	2,00
66 CT10 44	46106644	2	44	140,05	138,20	-	88	56	66	16	-	2,36
66 CT10 48	46106648	2	48	152,78	150,95	-	95	56	66	16	-	2,83
66 CT10 60	46106660	2	60	190,98	189,10	-	110	56	66	16	-	4,37

 MATERIALE **ALLUMINIO**
**A RICHIESTA** si costruiscono  
pulegge passo CT 20

 Disegni CAD disponibili sul sito  
[www.chiaravalli.com](http://www.chiaravalli.com)

 Quantità, disponibilità e prezzi  
 con B2B Chiaravalli




# PRODUZIONE

# COMPONENTI SPECIALI

*Produciamo ingranaggi e componenti meccanici di alta precisione.*

*Una vasta e variegata gamma di moderne macchine a CNC assicura capacità produttiva e qualità di elevato livello. Il personale Chiaravalli Group SpA altamente specializzato e con grande spirito di appartenenza all'azienda, opera avvalendosi delle più moderne tecnologie CAE e CAD-CAM.*

*La produzione è certificata e garantita attraverso l'utilizzo di macchine tridimensionali di misura di elevata precisione.*

***Chiaravalli Group SpA partner tecnologico per produzioni di alta qualità.***







# RIDUTTORI

# EPICICLOIDALI

*Ingombri ridotti, elevata affidabilità e semplicità costruttiva sono tra le caratteristiche dei nuovi riduttori epicicloidali CHIARAVALLI.*

*La elevata modularità di configurazione permette di assemblare in ingresso motori elettrici, idraulici, riduttori a vite senza fine (serie CHM CHIARAVALLI) oppure alberi maschio cilindrici.*

*Diverse configurazioni di alberi e flange in uscita permettono l'utilizzo di questi riduttori in molte applicazioni industriali.*

*Disponibili nella versione lineare (CHPL) o in quella angolare (CHPLB), i riduttori epicicloidali della serie CHIARAVALLI comprendono 11 grandezze con coppie trasmissibili che vanno da 100 daNm a 3500 daNm e rapporti di riduzione da 3.55:1 sino a 3422:1.*

*A richiesta sono fornibili riduttori con più di 4 stadi di riduzione.*

*I riduttori epicicloidali CHIARAVALLI sono forniti con fondo preparatorio per la verniciatura.*





# PULEGGE A GOLA

## PULEGGE A GOLA PER BUSSOLA TAPER LOCK<sup>®</sup>

<b>SPZ</b>	pag. 5
<b>SPA</b>	9
<b>SPB</b>	13
<b>SPC</b>	18

## PULEGGE A GOLA CON FORO INIZIALE

<b>SPA</b>	23
<b>SPB</b>	25
<b>SPC</b>	28

## PULEGGE A GOLA PER CALETTATORI

<b>SPA</b>	30
<b>SPB</b>	31
<b>SPC</b>	33

PULEGGE A GOLA <b>REGOLABILI TIPO PRB</b>	34
---	----

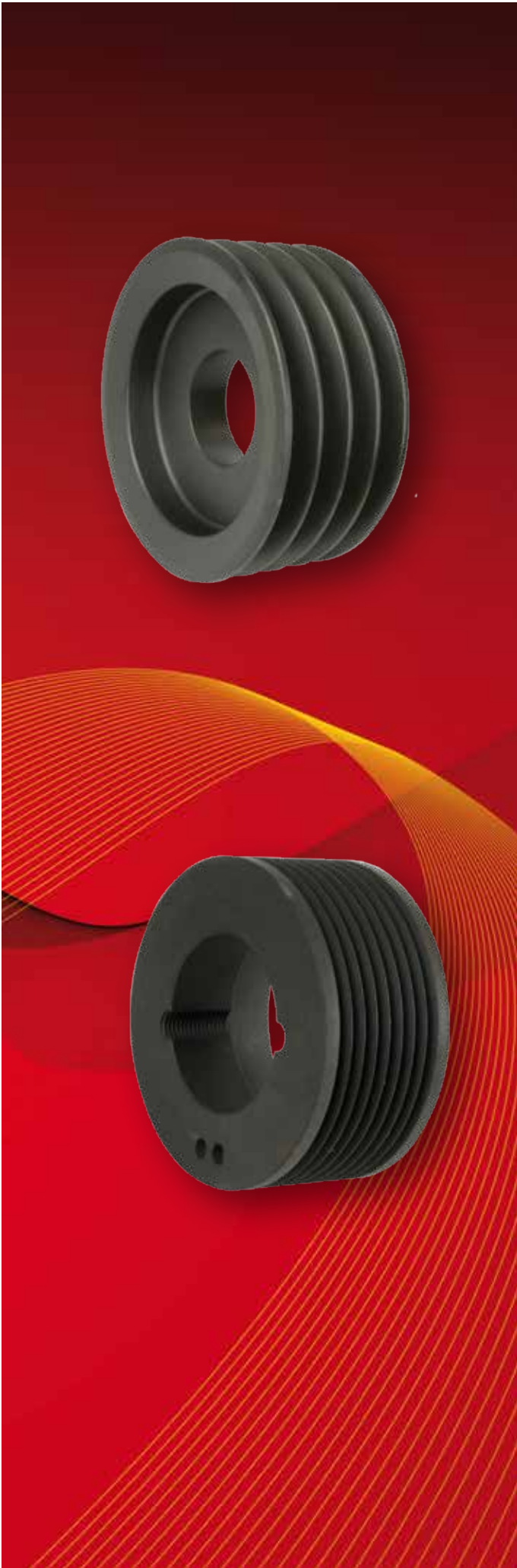
PULEGGE A GOLA <b>PPV-J MICRO V</b>	39
-------------------------------------	----

PULEGGE A GOLA <b>PPV-L MICRO V</b>	40
-------------------------------------	----





# PULEGGE A GOLA TRAPEZOIDALI IN GHISA







# PULEGGE A GOLA TRAPEZOIDALI IN GHISA

Tutte le pulegge a gole trapezoidali sono conformi alla normativa vigente e vengono costruite in ghisa GG 20 con trattamento protettivo di fosfatazione.

Nell'esecuzione normale standard, le pulegge sono tutte bilanciate staticamente e ciò è sufficiente per velocità periferiche fino a 25 m/sec.

Per velocità superiori è indispensabile la bilanciatura dinamica che può venir prevista a richiesta.

**La CHIARAVALLI GROUP SpA è in grado di eseguire, su richiesta, bilanciature su pulegge Ø max 630, con equilibratrice a CNC, corredando di certificato la bilanciatura eseguita.**

Oltre 35 m/sec, le pulegge in ghisa non sono più idonee e si impone l'uso di materiali ad alta resistenza.

D = Ø in metri

n = numero di giri al minuto

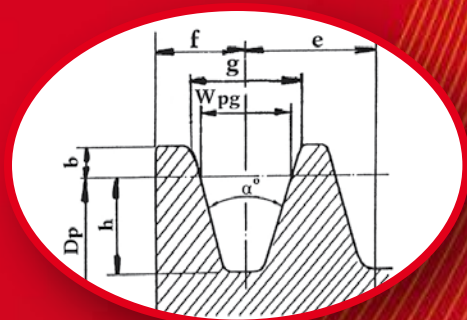
$$V_p = \frac{\pi \cdot D \cdot n}{60} = \frac{D \cdot n}{19,1} \text{ m/sec.}$$

Le dimensioni riportate sulle tabelle dimensionali non sono impegnative anche se verranno rispettate nei limiti del possibile.

Ci riserviamo la facoltà di apportare anche senza preavviso varianti e modifiche.

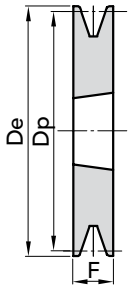
## CARATTERISTICHE DELLE GOLE

PROFILO	Dp mm	α°	W pg	g	h	b mm	f	e
<b>SPZ</b>	< 80	34°	8,5	9,7	9	2	8	12
	> 80	38°						
<b>SPA</b>	< 118	34°	11	12,7	11	2,8	10	15
	> 118	38°						
<b>SPB</b>	< 190	34°	14	16,3	14	3,5	12,5	19
	> 190	38°						
<b>SPC</b>	< 315	34°	19	22,0	19	4,8	17	25,5
	> 315	38°						

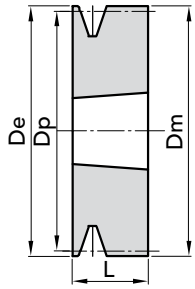


## LARGHEZZA DELLA FASCIA

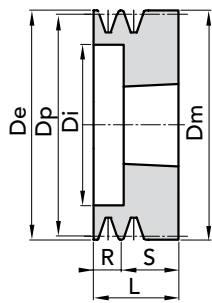
N° GOLE	SPZ	SPA	SPB	SPC
1	16	20	25	34
2	28	35	44	59,5
3	40	50	63	85
4	52	65	82	111
5	64	80	101	136
6		95	120	162
8			158	213
10			196	264



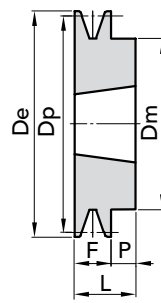
ESEC. 1



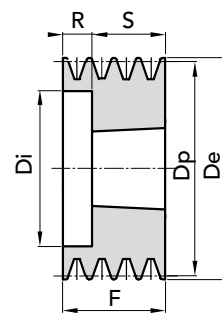
ESEC. 2



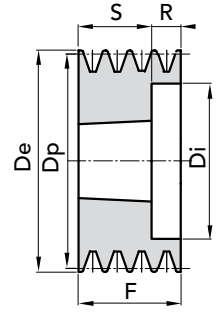
ESEC. 3



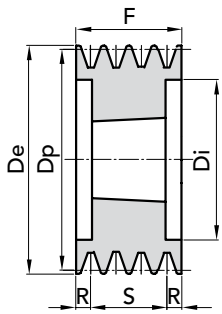
ESEC. 4



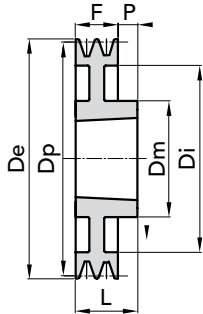
ESEC. 5



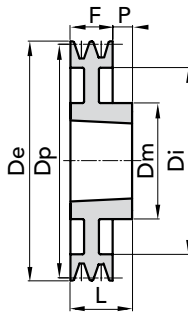
ESEC. 6



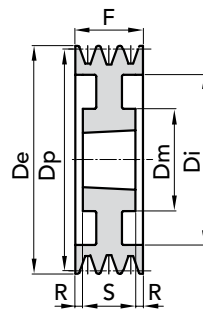
ESEC. 7



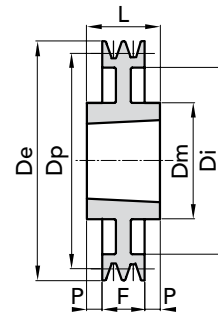
ESEC. 8



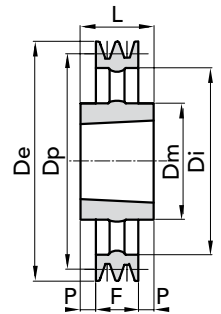
ESEC. 8A



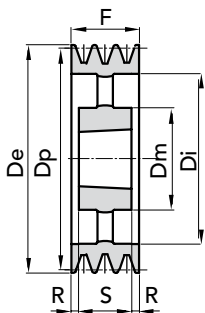
ESEC. 9



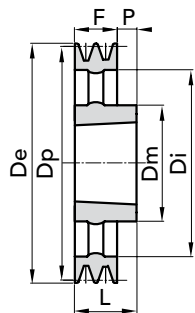
ESEC. 10



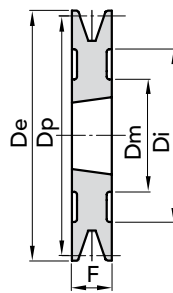
ESEC. 11



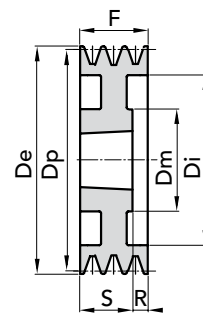
ESEC. 12



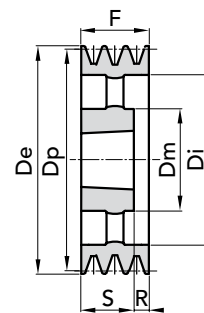
ESEC. 13



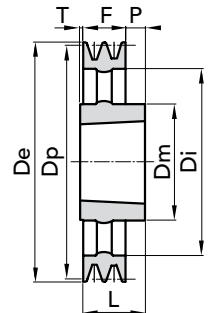
ESEC. 14



ESEC. 15



ESEC. 16



ESEC. 17



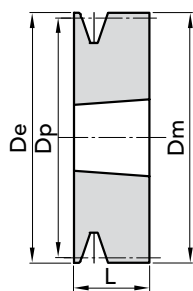
# PULEGGE A GOLA TRAPEZOIDALI PER BUSSOLA TAPER LOCK®

5

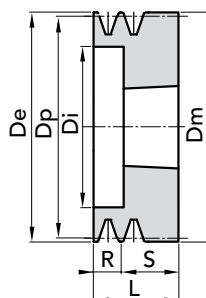
## BUSSOLA TAPER LOCK®

### SEZIONE SPZ

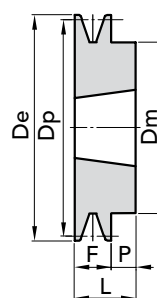
Le dimensioni riportate sulle tabelle dimensionali delle pulegge per bussola conica SPZ-SPA-SPB-SPC non sono impegnative anche se verranno rispettate nei limiti del possibile. Ci riserviamo la facoltà di apportare, anche senza preavviso, varianti e modifiche.



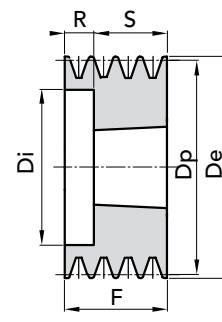
ESEC. 2



ESEC. 3



ESEC. 4



ESEC. 5

Dp	CODICE	N° GOLE	ESEC	BUSSOLA	Ø De	Ø Di	Ø Dm	F	L	P	R	S	PESO Kg.
60	91100601	1	2	1008	64,6		64,6		22				0,50
	91100602	2	3	1108	64,6	36	64,6		49		27	22	0,60
63	91100631	1	4	1108	67,6		62	16	22	6			0,40
	91100632	2	5	1108	67,6	40		28			6	22	0,50
	91100633	3	5	1108	67,6	40		40			18	22	0,50
67	91100671	1	4	1108	71,6		62	16	22	6			0,50
	91100672	2	5	1108	71,6	42		28			6	22	0,50
	91100673	3	5	1108	71,6	42		40			18	22	0,70
71	91100711	1	4	1108	75,6		62	16	22	6			0,50
	91100712	2	5	1108	75,6	42		28			6	22	0,50
	91100713	3	5	1108	75,6	42		40			18	22	0,70
75	91100751	1	4	1108	79,6		62	16	22	6			0,60
	91100752	2	5	1210	79,6	51		28			3	25	0,60
	91100753	3	5	1210	79,6	48		40			15	25	0,80
80	91100801	1	4	1210	84,6		75	16	25	9			0,60
	91100802	2	5	1210	84,6	51		28			3	25	0,70
	91100803	3	5	1210	84,6	51		40			15	25	0,80
	91100804	4	5	1210	84,6	51		52			27	25	0,90
85	91100851	1	4	1210	89,6		75	16	25	9			0,80
	91100852	2	5	1610	89,6	60		28			3	25	0,70
	91100853	3	5	1610	89,6	60		40			15	25	0,80
	91100854	4	5	1610	89,6	60		42			27	25	1,00
	91100855	5	5	1610	89,6	60		64			39	25	1,30
90	91100901	1	4	1210	94,6		75	16	25	9			0,80
	91100902	2	5	1610	94,6	61		28			3	25	0,80
	91100903	3	5	1610	94,6	61		40			15	25	0,90
	91100904	4	5	1610	94,6	61		42			27	25	1,10
	91100905	5	5	1610	94,6	61		64			39	25	1,40
95	91100951	1	4	1210	99,6		75	16	25	9			0,90
	91100952	2	5	1610	99,6	66		28			3	25	0,80
	91100953	3	5	1610	99,6	66		40			15	25	1,10
	91100954	4	5	1610	99,6	66		52			27	25	1,30
	91100955	5	5	1610	99,6	66		64			39	25	1,50
100	91101001	1	4	1210	104,6		75	16	25	9			0,90
	91101002	2	5	1610	104,6	71		28			3	25	1,20
	91101003	3	5	1610	104,6	71		40			15	25	1,20
	91101004	4	5	1610	104,6	72		52			27	25	1,40
	91101005	5	5	2012	104,6	72		64			32	32	1,60
106	91101061	1	4	1610	110,6		80	16	25	9			1,00
	91101062	2	5	1610	110,6	76		28			3	25	1,20
	91101063	3	5	1610	110,6	78		40			15	25	1,40
	91101064	4	5	1610	110,6	78		52			27	25	1,60
	91101065	5	5	2012	110,6	78		64			32	32	1,80

MATERIALE **GHISA**

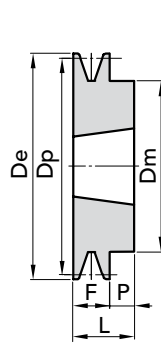
Disegni CAD disponibili sul sito  
[www.chiaravalli.com](http://www.chiaravalli.com)

Quantità, disponibilità e prezzi  
con B2B Chiaravalli

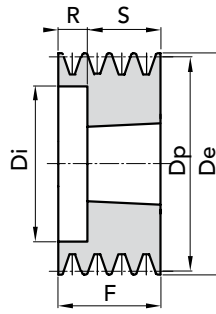
PULEGGE A GOLA TRAPEZOIDALI PER BUSSOLA TAPER LOCK®


**BUSSOLA TAPER LOCK®**
**SEZIONE SPZ**

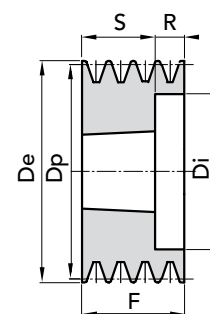
Le dimensioni riportate sulle tabelle dimensionali delle pulegge per bussola conica **SPZ-SPA-SPB-SPC** non sono impegnative anche se verranno rispettate nei limiti del possibile. Ci riserviamo la facoltà di apportare, anche senza preavviso, varianti e modifiche.



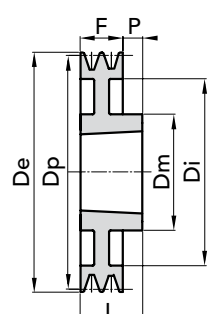
ESEC. 4



ESEC. 5



ESEC. 6



ESEC. 8

Dp	CODICE	N° GOLE	ESEC	BUSSOLA	Ø De	Ø Di	Ø Dm	F	L	P	R	S	PESO Kg.
112	91101121	1	4	1610	116,6		80	16	25	9			1,10
	91101122	2	5	1610	116,6	84		28			3	25	1,30
	91101123	3	6	2012	116,6	84		40			8	32	1,50
	91101124	4	6	2012	116,6	86		52			20	32	1,60
	91101125	5	6	2012	116,6	84		64			32	32	1,90
118	91101181	1	4	1610	122,6		80	16	25	9			1,30
	91101182	2	5	1610	122,6	90		28			3	25	1,40
	91101183	3	6	2012	122,6	92		40			8	32	1,60
	91101184	4	6	2012	122,6	92		52			20	32	1,90
	91101185	5	6	2012	122,6	92		64			32	32	2,40
125	91101251	1	4	1610	129,6		80	16	25	9			1,40
	91101252	2	5	1610	129,6	97		28			3	25	1,70
	91101253	3	6	2012	129,6	97		40			8	32	2,00
	91101254	4	6	2012	129,6	99		52			20	32	2,20
	91101255	5	6	2012	129,6	97		64			32	32	2,80
132	91101321	1	4	1610	136,6		80	16	25	9			1,50
	91101322	2	5	1610	136,6	104		28			3	25	2,00
	91101323	3	6	2012	136,6	104		40			8	32	2,40
	91101324	4	6	2012	136,6	104		52			20	32	2,60
	91101325	5	6	2517	136,6	104		64			19	45	2,80
140	91101401	1	4	1610	144,6		80	16	25	9			1,50
	91101402	2	5	1610	144,6	112		28			3	25	2,20
	91101403	3	6	2012	144,6	112		40			8	32	2,80
	91101404	4	6	2012	144,6	112		52			20	32	3,00
	91101405	5	6	2517	144,6	112		64			19	45	3,20
150	91101501	1	8	1610	154,6		80	16	25	9			1,60
	91101502	2	4	2012	154,6		100	28	32	4			2,30
	91101503	3	6	2012	154,6	122		40			8	32	3,40
	91101504	4	6	2517	154,6	122		52			7	45	3,60
	91101505	5	6	2517	154,6	122		64			19	45	3,90
160	91101601	1	8	1610	164,6		80	16	25	9			1,70
	91101602	2	8	2012	164,6		100	28	32	4			3,10
	91101603	3	6	2012	164,6	132		40			8	32	3,60
	91101604	4	6	2517	164,6	132		52			7	45	4,50
	91101605	5	6	2517	164,6	132		64			19	45	4,70
180	91101801	1	8	1610	184,6		80	16	25	9			2,00
	91101802	2	8	2012	184,6	152	100	28	32	4			2,90
	91101803	3	6	2012	184,6	152		40			8	32	3,70
	91101804	4	6	2517	184,6	152		52			7	45	6,30
	91101805	5	6	2517	184,6	152		64			19	45	6,80

**MATERIALE GHISA**

Disegni CAD disponibili sul sito  
[www.chiaravalli.com](http://www.chiaravalli.com)

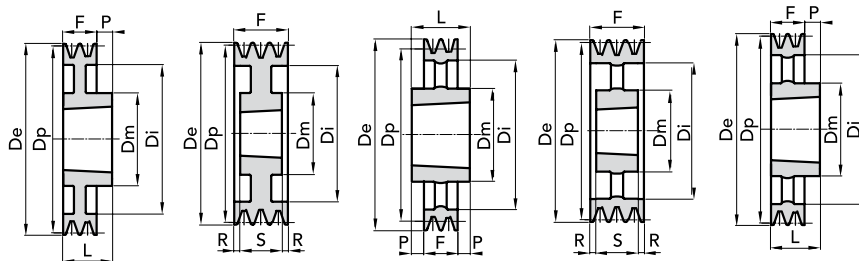
Quantità, disponibilità e prezzi  
con B2B Chiaravalli



## BUSSOLA TAPER LOCK®

### SEZIONE SPZ

Le dimensioni riportate sulle tabelle dimensionali delle pulegge per bussola conica **SPZ-SPA-SPB-SPC** non sono impegnative anche se verranno rispettate nei limiti del possibile. Ci riserviamo la facoltà di apportare, anche senza preavviso, varianti e modifiche.



ESEC. 8

ESEC. 9

ESEC. 11

ESEC. 12

ESEC. 13

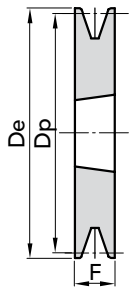
Dp	CODICE	N° GOLE	ESEC	BUSSOLA	Ø De	Ø Di	Ø Dm	F	L	P	R	S	PESO Kg.
190	91101902	2	8	2012	194,6	160	100	28	32	4			3,10
	91101903	3	9	2012	194,6	160	105	40			4	32	3,40
	91101904	4	9	2517	194,6	160	120	52			3,5	45	5,30
200	91102001	1	8	2012	204,6	172	100	16	32	16			3,40
	91102002	2	8	2012	204,6	172	100	28	32	4			3,50
	91102003	3	9	2012	204,6	172	100	40			4	32	4,30
	91102004	4	9	2517	204,6	172	120	52			3,5	45	5,40
	91102005	5	9	2517	204,6	172	120	64			9,5	45	8,80
224	91102241	1	13	2012	228,6	196	100	16	32	16			3,60
	91102242	2	13	2012	228,6	196	100	28	32	4			4,50
	91102243	3	9	2012	228,6	196	100	40			4	32	5,40
	91102244	4	9	2517	228,6	196	120	52			3,5	45	7,00
	91102245	5	9	2517	228,6	196	120	64			9,5	45	8,80
250	91102501	1	11	2012	254,6	222	100	16	32	8			4,60
	91102502	2	11	2012	254,6	222	100	28	32	2			5,40
	91102503	3	12	2012	254,6	222	100	40			4	32	6,40
	91102504	4	12	2517	254,6	222	120	52			3,5	45	8,00
	91102505	5	12	2517	254,6	222	120	64			9,5	45	9,00
280	91102801	1	11	2012	284,6	252	100	16	32	8			5,50
	91102802	2	11	2012	284,6	252	100	28	32	2			6,20
	91102803	3	11	2517	284,6	252	120	40	45	2,5			8,30
	91102804	4	12	2517	284,6	252	120	52			3,5	45	9,50
	91102805	5	12	2517	284,6	252	120	64			9,5	45	11,00
315	91103151	1	11	2012	319,6	287	100	16	32	8			6,70
	91103152	2	11	2012	319,6	287	100	28	32	2			7,20
	91103153	3	11	2517	319,6	287	120	40	45	2,5			10,10
	91103154	4	12	2517	319,6	287	120	52			3,5	45	12,10
	91103155	5	12	2517	319,6	287	120	64			9,5	45	13,30
355	91103551	1	11	2012	359,6	326	100	16	32	8			6,80
	91103552	2	11	2012	359,6	326	100	28	32	2			8,60
	91103553	3	11	2517	359,6	326	120	40	45	2,5			11,70
	91103554	4	12	2517	359,6	326	120	52			3,5	45	12,80
	91103555	5	12	2517	359,6	326	120	64			9,5	45	13,00
400	91104001	1	11	2012	404,6	371	112	16	32	8			6,90
	91104002	2	11	2517	404,6	371	125	28	45	8,5			9,90
	91104003	3	11	2517	404,6	371	125	40	45	2,5			13,30
	91104004	4	12	2517	404,6	371	125	52	45		3,5		13,60
	91104005	5	12	3020	404,6	371	158	64	51		6,5		15,60
450	91104501	1	11	2517	454,6	421	125	16	45	14,5			7,20
	91104502	2	11	2517	454,6	421	125	28	45	8,5			11,20
	91104503	3	11	2517	454,6	421	125	40	45	2,5			14,60
	91104504	4	12	3020	454,6	421	158	52	51		0,5		14,50
	91104505	5	12	3020	454,6	421	158	64	51		8,5		19,00
500	91105002	2	11	2517	504,6	471	125	28	45	8,5			10,50
	91105003	3	11	2517	504,6	471	125	40	45	2,5			15,80
	91105004	4	12	3020	504,6	471	158	52	51		0,5		17,34
	91105005	5	11	3030	504,6	471	148	64	76	6			22,60

MATERIALE **GHISA**

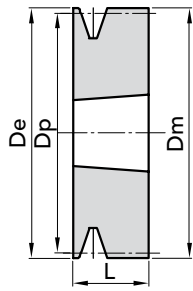
Disegni CAD disponibili sul sito  
[www.chiaravalli.com](http://www.chiaravalli.com)

Quantità, disponibilità e prezzi  
con B2B Chiaravalli

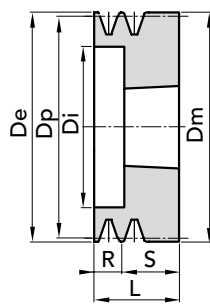




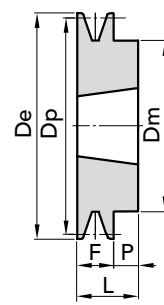
ESEC. 1



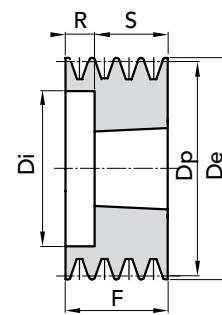
ESEC. 2



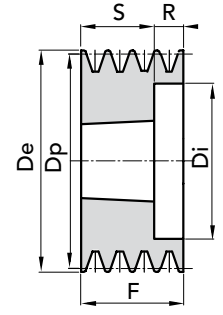
ESEC. 3



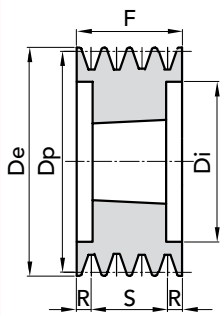
ESEC. 4



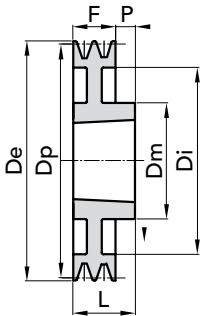
ESEC. 5



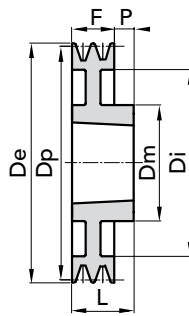
ESEC. 6



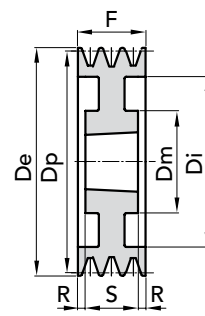
ESEC. 7



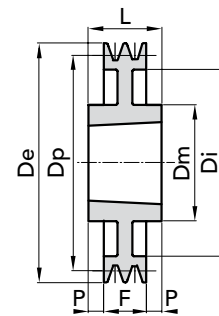
ESEC. 8



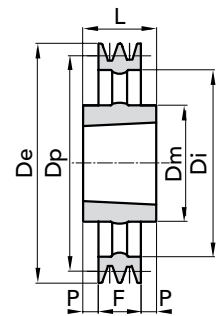
ESEC.8A



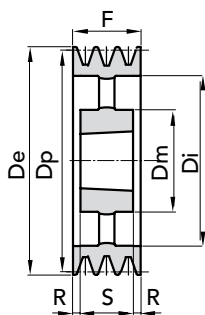
ESEC. 9



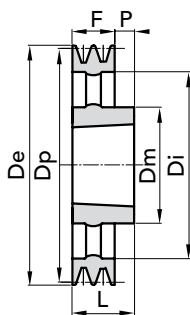
ESEC. 10



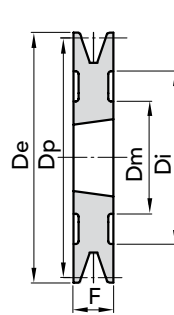
ESEC. 11



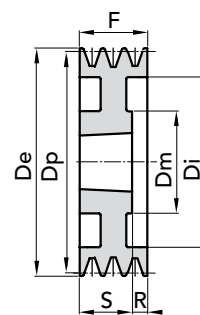
ESEC. 12



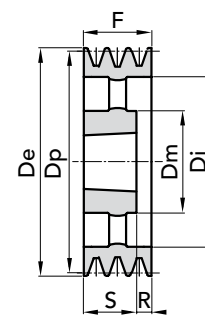
ESEC. 13



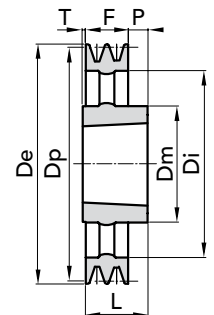
ESEC. 14



ESEC. 15



ESEC. 16



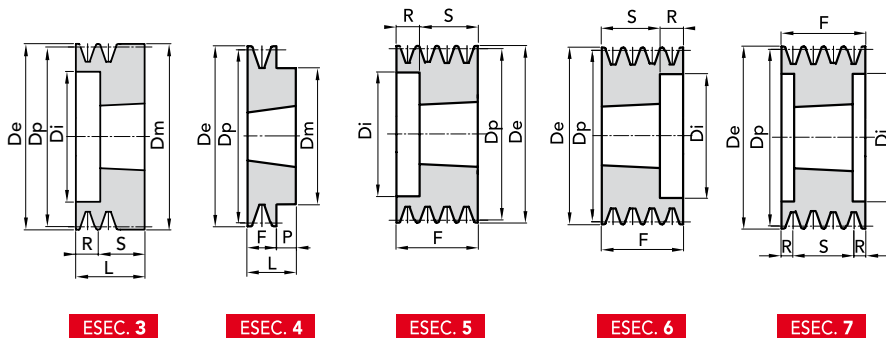
ESEC. 17



## BUSSOLA TAPER LOCK®

### SEZIONE SPA

Le dimensioni riportate sulle tabelle dimensionali delle pulegge per bussola conica **SPZ-SPA-SPB-SPC** non sono impegnative anche se verranno rispettate nei limiti del possibile. Ci riserviamo la facoltà di apportare, anche senza preavviso, varianti e modifiche.



ESEC. 3

ESEC. 4

ESEC. 5

ESEC. 6

ESEC. 7

Dp	CODICE	N° GOLE	ESEC	BUSSOLA	Ø De	Ø Di	Ø Dm	F	L	P	R	S	PESO Kg.
63	91200631	1	3	1008	69,1	37			40		18	22	0,30
71	91200711	1	4	1108	77,1		62	20	22	2			0,60
	91200712	2	5	1108	77,1	40		35			13	22	0,60
	91200713	3	5	1108	77,1	40		50			28	22	0,80
75	91200751	1	4	1108	81,1		62	20	22	2			0,70
	91200752	2	5	1108	81,1	44		35			13	22	0,70
	91200753	3	5	1108	81,1	44		50			28	22	0,90
80	91200801	1	4	1210	86,1		75	20	25	5			0,70
	91200802	2	5	1210	86,1	47		35			10	25	0,70
	91200803	3	5	1210	86,1	47		50			25	25	1,10
85	91200851	1	4	1210	91,1		75	20	25	5			0,70
	91200852	2	5	1210	91,1	50		35			10	25	0,80
	91200853	3	5	1210	91,1	50		50			25	25	1,20
90	91200901	1	4	1210	96,1		75	20	25	5			0,80
	91200902	2	5	1610	96,1	60		35			10	25	0,90
	91200903	3	5	1610	96,1	60		50			25	25	1,30
95	91200951	1	4	1210	101,1		75	20	25	5			0,90
	91200952	2	5	1610	101,1	64		35			10	25	1,00
	91200953	3	5	1610	101,1	64		50			25	25	1,50
	91200954	4	7	1615	101,1	64		65			13,5	38	1,40
100	91201001	1	4	1610	106,1		80	20	25	5			1,00
	91201002	2	5	1610	106,1	70		35			10	25	1,10
	91201003	3	6	1610	106,1	70		50			25	25	1,30
	91201004	4	6	1615	106,1	70		65			27	38	1,80
	91201005	5	6	1615	106,1	70		80			42	38	2,10
106	91201061	1	4	1610	112,1		80	20	25	5			1,20
	91201062	2	5	1610	112,1	76		35			10	25	1,20
	91201063	3	6	1610	112,1	76		50			25	25	1,60
	91201064	4	5	2012	112,1	76		65			33	32	2,10
	91201065	5	5	2012	112,1	76		80			48	32	2,30
112	91201121	1	4	1610	118,1		80	20	25	5			1,30
	91201122	2	5	1610	118,1	80		35			10	25	1,40
	91201123	3	5	2012	118,1	80		50			18	32	1,60
	91201124	4	5	2012	118,1	80		65			33	32	2,00
	91201125	5	5	2012	118,1	80		80			48	32	2,50
118	91201181	1	4	1610	124,1		80	20	25	5			1,40
	91201182	2	5	1610	124,1	86		35			10	25	1,70
	91201183	3	6	2012	124,1	86		50			18	32	1,90
	91201184	4	6	2012	124,1	86		65			33	32	2,30
	91201185	5	6	2012	124,1	86		80			48	32	2,80
125	91201251	1	4	1610	131,1		80	20	25	5			1,50
	91201252	2	5	1610	131,1	90		35			10	25	1,90
	91201253	3	6	2012	131,1	92		50			18	32	2,70
	91201254	4	6	2012	131,1	92		65			33	32	3,00
	91201255	5	7	2012	131,1	92		80			24	32	3,00

MATERIALE **GHISA**

Disegni CAD disponibili sul sito  
[www.chiaravalli.com](http://www.chiaravalli.com)

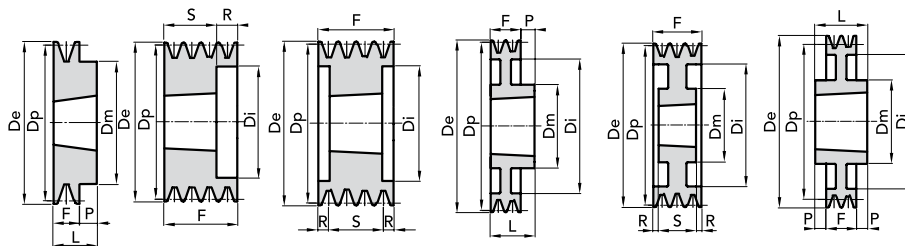
Quantità, disponibilità e prezzi  
con B2B Chiaravalli



## BUSSOLA TAPER LOCK®

### SEZIONE SPA

Le dimensioni riportate sulle tabelle dimensionali delle pulegge per bussola conica **SPZ-SPA-SPB-SPC** non sono impegnative anche se verranno rispettate nei limiti del possibile. Ci riserviamo la facoltà di apportare, anche senza preavviso, varianti e modifiche.



ESEC. 4

ESEC. 6

ESEC. 7

ESEC. 8

ESEC. 9

ESEC. 10

Dp	CODICE	N° GOLE	ESEC	BUSSOLA	Ø De	Ø Di	Ø Dm	F	L	P	R	S	PESO Kg.
132	91201321	1	4	1610	138,1		80	20	25	5			1,60
	91201322	2	5	2012	138,1	98		35			3	32	2,10
	91201323	3	6	2012	138,1	98		50			18	32	2,90
	91201324	4	6	2517	138,1	98		65			20	45	3,20
	91201325	5	7	2517	138,1	98		80			17,5	45	3,50
140	91201401	1	4	1610	146,1		80	20	25	5			1,70
	91201402	2	5	2012	146,1	106		35			3	32	2,60
	91201403	3	6	2517	146,1	106		50			5	45	3,20
	91201404	4	6	2517	146,1	106		65			20	45	3,50
	91201405	5	7	2517	146,1	106		80			17,5	45	3,90
150	91201501	1	4	1610	156,1		80	20	25	5			2,00
	91201502	2	5	2012	156,1	116		35			3	32	3,20
	91201503	3	6	2517	156,1	116		50			5	45	3,50
	91201504	4	6	2517	156,1	116		65			20	45	3,90
	91201505	5	7	2517	156,1	116		80			17,5	45	4,40
160	91201601	1	4	1610	166,1		80	20	25	5			2,40
	91201602	2	5	2012	166,1	125		35			3	32	3,60
	91201603	3	6	2517	166,1	126		50			5	45	4,50
	91201604	4	6	2517	166,1	126		65			20	45	5,10
	91201605	5	7	2517	166,1	126		80			17,5	45	5,70
170	91201701	1	4	1610	176,1		80	20	25	5			2,50
	91201702	2	5	2012	176,1	135		35			3	32	4,50
	91201703	3	6	2517	176,1	138		50			5	45	5,00
	91201704	4	6	2517	176,1	138		65			20	45	5,80
	91201705	5	7	3020	176,1	138		80			14,5	51	6,30
180	91201801	1	8	1610	186,1		80	20	25	5			2,50
	91201802	2	9	2012	186,1	148	100	35			1,5	32	5,00
	91201803	3	5	2517	186,1	146		50			5	45	6,20
	91201804	4	6	2517	186,1	146		65			20	45	6,90
	91201805	5	7	3020	186,1	146		80			14,5	51	6,90
190	91201901	1	8	1610	196,1		80	20	25	5			2,80
	91201902	2	9	2012	196,1	158	100	35			1,5	32	4,40
	91201903	3	6	2517	196,1	158		50			5	45	7,00
	91201904	4	6	2517	196,1	158		65			20	45	6,80
	91201905	5	7	3020	196,1	158		80			14,5	51	7,70
200	91202001	1	8	2012	206,1	165	100	20	32	12			2,80
	91202002	2	10	2517	206,1	165	120	35	45	5			4,90
	91202003	3	9	2517	206,1	165	120	50			2,5	45	5,80
	91202004	4	6	3020	206,1	165		65			14	51	8,40
	91202005	5	7	3020	206,1	165		80			14,5	51	9,00
212	91202121	1	8	2012	218,1	177	100	20	32	12			2,90
	91202122	2	10	2517	218,1	177	120	35	45	5			5,80
	91202123	3	9	2517	218,1	177	120	50			2,5	45	6,60
	91202124	4	6	3020	218,1	177		65			14	51	9,90
	91202125	5	7	3020	218,1	177		80			14,5	51	10,70

MATERIALE **GHISA**

Disegni CAD disponibili sul sito  
[www.chiaravalli.com](http://www.chiaravalli.com)

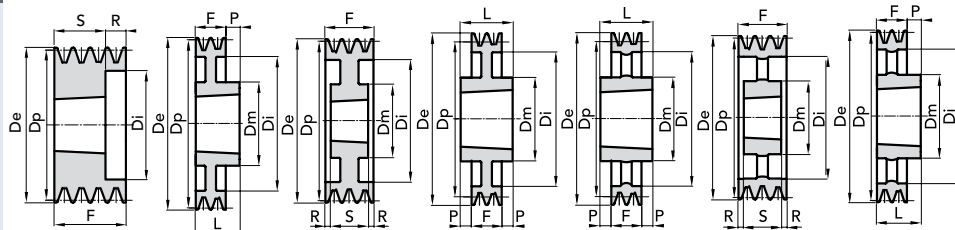
Quantità, disponibilità e prezzi  
con B2B Chiaravalli



## BUSSOLA TAPER LOCK®

### SEZIONE SPA

Le dimensioni riportate sulle tabelle dimensionali delle pulegge per bussola conica **SPZ-SPA-SPB-SPC** non sono impegnative anche se verranno rispettate nei limiti del possibile.  
Ci riserviamo la facoltà di apportare, anche senza preavviso, varianti e modifiche.



ESEC. 6

ESEC. 8

ESEC. 9

ESEC. 10

ESEC. 11

ESEC. 12

ESEC. 13

Dp	CODICE	N° GOLE	ESEC	BUSSOLA	Ø De	Ø Di	Ø Dm	F	L	P	R	S	PESO Kg.
224	91202241	1	8	2012	230,1	189	100	20	32	12			3,30
	91202242	2	8	2517	230,1	189	120	35	45	10			6,60
	91202243	3	9	2517	230,1	189	120	50			2,5	45	7,50
	91202244	4	6	3020	230,1	189		65			14	51	11,40
	91202245	5	6	3020	230,1	189		80			29	51	12,30
236	91202361	1	8	2012	242,1	202	106	20	32	12			3,60
	91202362	2	8	2517	242,1	202	125	35	45	10			5,40
	91202363	3	9	2517	242,1	202	125	50			2,5	45	6,60
	91202364	4	9	3020	242,1	202	146	65			7	51	9,80
	91202365	5	9	3020	242,1	202	155	80			14,5	51	11,20
250	91202501	1	10	2012	256,1	215	100	20	32	6			4,20
	91202502	2	10	2517	256,1	215	120	35	45	5			6,80
	91202503	3	9	2517	256,1	215	120	50			2,5	45	6,80
	91202504	4	9	3020	256,1	215	150	65			7	51	10,50
	91202505	5	9	3020	256,1	215	150	80			14,5	51	11,70
280	91202801	1	8	2012	286,1	245	100	20	32	12			6,30
	91202802	2	8	2517	286,1	245	120	35	45	10			8,30
	91202803	3	9	2517	286,1	245	120	50			2,5	45	10,00
	91202804	4	9	3020	286,1	245	150	65			7	51	11,50
	91202805	5	10	3535	286,1	245	170	80	89	4,5			17,40
300	91203001	1	8	2012	306,1	264	112	20	32	12			5,20
	91203002	2	8	2517	306,1	264	125	35	45	10			6,80
	91203003	3	10	3020	306,1	264	146	50	51	0,5			9,10
	91203004	4	9	3020	306,1	264	146	65			7	51	12,40
	91203005	5	8	3535	306,1	264	175	80	89	9			16,50
315	91203151	1	13	2012	321,1	280	100	20	32	12			7,20
	91203152	2	13	2517	321,1	280	120	35	45	10			10,20
	91203153	3	10	3020	321,1	280	150	50	51	0,5			12,80
	91203154	4	9	3020	321,1	280	150	65			7	51	13,80
	91203155	5	10	3535	321,1	280	170	80	89	4,5			20,00
335	91203353	3	11	3020	341,1	300	150	50	51	0,5			11,40
	91203354	4	12	3020	341,1	300	150	65			7	51	13,20
	91203355	5	10	3535	341,1	300	170	80	89	4,5			19,00
355	91203551	1	13	2012	361,1	320	100	20	32	12			7,70
	91203552	2	13	2517	361,1	320	120	35	45	10			10,50
	91203553	3	11	3020	361,1	320	150	50	51	0,5			13,40
	91203554	4	12	3020	361,1	320	150	65			7	51	15,80
	91203555	5	11	3535	361,1	320	170	80	89	4,5			22,80
400	91204001	1	13	2012	406,1	365	100	20	32	12			7,90
	91204002	2	13	2517	406,1	365	120	35	45	10			11,30
	91204003	3	11	3020	406,1	365	150	50	51	0,5			15,90
	91204004	4	12	3020	406,1	365	150	65			7	51	17,70
	91204005	5	11	3535	406,1	365	170	80	89	4,5			24,80

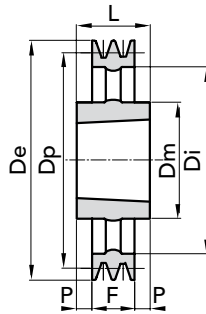
MATERIALE **GHISA**

Disegni CAD disponibili sul sito  
[www.chiaravalli.com](http://www.chiaravalli.com)

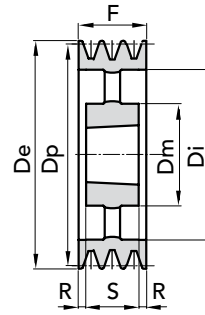
Quantità, disponibilità e prezzi  
con B2B Chiaravalli


**BUSSOLA TAPER LOCK®**
**SEZIONE SPA**

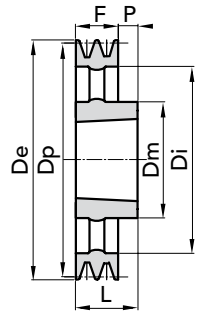
Le dimensioni riportate sulle tabelle dimensionali delle pulegge per bussola conica **SPZ-SPA-SPB-SPC** non sono impegnative anche se verranno rispettate nei limiti del possibile. Ci riserviamo la facoltà di apportare, anche senza preavviso, varianti e modifiche.



ESEC. 11



ESEC. 12



ESEC. 13

Dp	CODICE	N° GOLE	ESEC	BUSSOLA	Ø De	Ø Di	Ø Dm	F	L	P	R	S	PESO Kg.
450	91204501	1	13	2012	456,1	415	100	20	32	12			8,30
	91204502	2	13	2517	456,1	415	120	35	45	10			15,00
	91204503	3	11	3020	456,1	415	150	50	51	0,5			19,30
	91204504	4	12	3020	456,1	415	150	65			7	51	23,20
	91204505	5	11	3535	456,1	415	170	80	89	4,5			28,50
500	91205001	1	13	2517	506,1	465	120	20	45	25			9,40
	91205002	2	13	2517	506,1	465	120	35	45	10			18,70
	91205003	3	11	3020	506,1	465	150	50	51	0,5			22,60
	91205004	4	12	3020	506,1	465	150	65			7	51	27,40
	91205005	5	11	3535	506,1	465	170	80	89	4,5			31,70
560	91205603	3	13	3020	566,1	525	150	50	51	0,5			23,50
	91205604	4	11	3535	566,1	525	170	65	89	12			30,50
	91205605	5	11	3535	566,1	525	170	80	89	4,5			35,00
630	91206302	2	13	3020	636,1	595	150	35	51	16			22,00
	91206303	3	11	3020	636,1	595	150	50	51	0,5			27,50
	91206304	4	11	3535	636,1	595	170	65	89	12			34,10
	91206305	5	11	3535	636,1	595	170	80	89	4,5			42,00
	91206306	6	11	4040	636,1	595	200	95	102	3,5			53,50
	800	91208003	3	11	3535	806,1	765	170	50	89	19,5		
91208004		4	11	3535	806,1	765	170	65	89	12			50,80
91208005		5	11	4040	806,1	765	200	80	102	11			60,00

**MATERIALE GHISA**

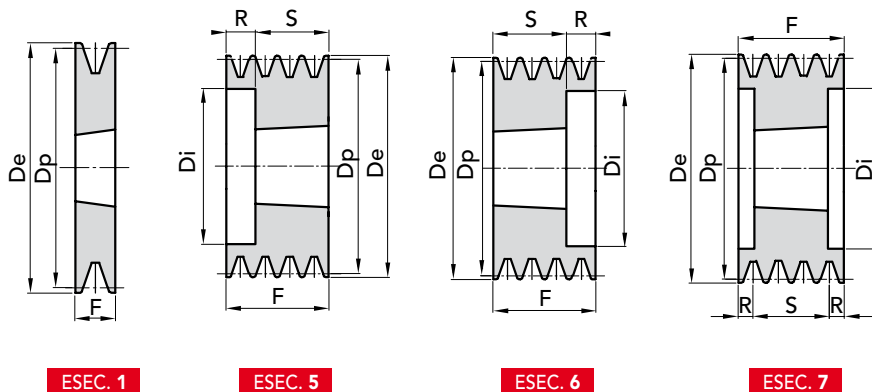




## BUSSOLA TAPER LOCK®

### SEZIONE **SPB**

Le dimensioni riportate sulle tabelle dimensionali delle pulegge per bussola conica **SPZ-SPA-SPB-SPC** non sono impegnative anche se verranno rispettate nei limiti del possibile. Ci riserviamo la facoltà di apportare, anche senza preavviso, varianti e modifiche.



ESEC. 1

ESEC. 5

ESEC. 6

ESEC. 7

Dp	CODICE	N° GOLE	ESEC	BUSSOLA	Ø De	Ø Di	Ø Dm	F	L	P	R	S	PESO Kg.
100	91301001	1	1	1610	107,6			25					0,90
	91301002	2	6	1610	107,6	57		44			19	25	1,40
106	91301061	1	1	1610	113,6			25					1,00
	91301062	2	6	1610	113,6	67		44			19	25	1,60
	91301063	3	6	1610	113,6	67		63			38	25	2,20
112	91301121	1	1	1610	119,6			25					1,20
	91301122	2	6	1610	119,6	72		44			19	25	1,70
	91301123	3	6	1610	119,6	72		63			38	25	2,40
118	91301181	1	1	1610	125,6			25					1,30
	91301182	2	6	1610	125,6	78		44			19	25	1,80
	91301183	3	6	1610	125,6	78		63			38	25	2,60
125	91301251	1	1	1610	132,6			25					1,50
	91301252	2	6	2012	132,6	82		44			12	32	1,90
	91301253	3	6	2012	132,6	82		63			31	32	2,50
	91301254	4	7	2012	132,6	82		82			25	32	3,00
	91301255	5	5/6	2012	132,6	82		101			69	32	3,60
132	91301321	1	1	1610	139,6			25					1,70
	91301322	2	6	2012	139,6	89		44			12	32	2,50
	91301323	3	6	2012	139,6	89		63			31	32	3,20
	91301324	4	7	2012	139,6	89		82			25	32	3,70
	91301325	5	5	2517	139,6	89		101			56	45	3,80
140	91301401	1	1	1610	147,6			25					1,80
	91301402	2	6	2012	147,6	97		44			12	32	2,70
	91301403	3	6	2012	147,6	97		63			31	32	3,60
	91301404	4	7	2517	147,6	97		82			18,5	45	4,30
	91301405	5	7	2517	147,6	97		101			28	45	4,40
	91301406	6	7	2517	147,6	97		120			37,5	45	4,70
	91301408	8	7	2517	147,6	97		158			56,5	45	7,00
150	91301501	1	1	1610	157,6			25					2,10
	91301502	2	6	2012	157,6	107		44			12	32	3,20
	91301503	3	6	2517	157,6	107		63			18	45	4,00
	91301504	4	7	2517	157,6	107		82			18,5	45	4,60
	91301505	5	7	2517	157,6	107		101			28	45	5,40
	91301506	6	7	2517	157,6	107		120			37,5	45	6,80
160	91301601	1	1	1610	167,6			25					2,50
	91301602	2	6	2012	167,6	117		44			12	32	3,80
	91301603	3	6	2517	167,6	117		63			18	45	4,50
	91301604	4	7	2517	167,6	117		82			18,5	45	5,80
	91301605	5	7	2517	167,6	117		101			28	45	6,70
	91301606	6	7	3020	167,6	117		120			34,5	51	7,20
	91301608	8	7	3020	167,6	117		158			53,5	51	8,30

MATERIALE **GHISA**

Disegni CAD disponibili sul sito  
[www.chiaravalli.com](http://www.chiaravalli.com)

Quantità, disponibilità e prezzi  
con B2B Chiaravalli



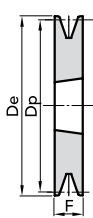
## BUSSOLA TAPER LOCK®

### SEZIONE **SPB**

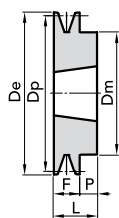
Le dimensioni riportate sulle tabelle dimensionali delle pulegge per bussola conica

**SPZ-SPA-SPB-SPC** non sono impegnative anche se verranno rispettate nei limiti del possibile.

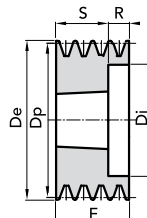
Ci riserviamo la facoltà di apportare, anche senza preavviso, varianti e modifiche.



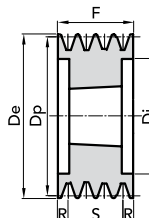
ESEC. 1



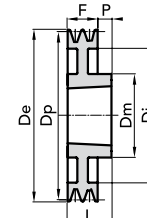
ESEC. 4



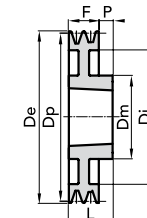
ESEC. 6



ESEC. 7



ESEC. 8



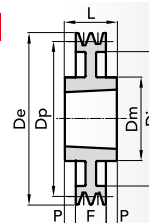
ESEC. 8A

Dp	CODICE	N° GOLE	ESEC	BUSSOLA	Ø De	Ø Di	Ø Dm	F	L	P	R	S	PESO Kg.
170	91301701	1	1	1610	177,6			25					2,90
	91301702	2	6	2012	177,6	127		44			12	32	4,80
	91301703	3	6	2517	177,6	127		63			18	45	5,30
	91301704	4	7	2517	177,6	127		82			18,5	45	6,70
	91301705	5	7	3020	177,6	127		101			25	51	7,10
	91301706	6	7	3020	177,6	127		120			34,5	51	7,60
180	91301801	1	14	1610	187,6	137	80	25					3,80
	91301802	2	4	2517	187,6		120	44	45	1			5,50
	91301803	3	6	2517	187,6	137		63			18	45	6,70
	91301804	4	7	2517	187,6	137		82			18,5	45	7,70
	91301805	5	7	3020	187,6	137		101			25	51	8,20
	91301806	6	7	3020	187,6	137		120			34,5	51	10,20
	91301808	8	7	3030	187,6	137		158			41	76	10,80
	190	91301901	1	10	2012	197,6	147	100	25	32	3,5		
91301902		2	4	2517	197,6		120	44	45	1			6,50
91301903		3	6	2517	197,6	147		63			18	45	7,60
91301904		4	7	2517	197,6	147		82			18,5	45	8,60
91301905		5	7	3020	197,6	147		101			25	51	9,10
91301906		6	7	3020	197,6	147		120			34,5	51	10,20
91301908		8	7	3030	197,6	147		158			41	76	12,30
200		91302001	1	10	2012	207,6	157	100	25	32	3,5		
	91302002	2	4	2517	207,6	157	120	44	45	1			7,50
	91302003	3	6	2517	207,6	157		63			18	45	8,90
	91302004	4	6/7	3020	207,6	157		82			18,5	45	9,10
	91302005	5	7	3020	207,6	157		101			25	51	10,30
	91302006	6	7	3020	207,6	157		120			34,5	51	11,70
	91302008	8	7	3535	207,6	161		158			34,5	89	13,70
	212	91302121	1	10	2012	219,6	169	100	25	32	3,5		
91302122		2	8	2517	219,6	169	120	44	45	1			7,00
91302123		3	15	2517	219,6	169	120	63			18	45	8,20
91302124		4	7	3020	219,6	169		82			15,5	51	10,90
91302125		5	7	3020	219,6	169		101			25	51	12,20
91302126		6	7	3535	219,6	169		120			15,5	89	13,20
91302128		8	7	3535	219,6	173		158			34,5	89	15,80
224		91302241	1	10	2012	231,6	181	100	25	32	3,5		
	91302242	2	8a	2517	231,6	181	120	44	45	1			7,70
	91302243	3	15	2517	231,6	181	120	63			18	45	9,10
	91302244	4	6/7	3020	231,6	181		82			15,5	51	12,40
	91302245	5	7	3020	231,6	181		101			25	51	13,70
	91302246	6	7	3535	231,6	181		120			15,5	89	15,20
	91302248	8	7	3535	231,6	181		158			34,5	89	17,20
	91302210	10	7	3535	231,6	181		196			53,5	89	20,50

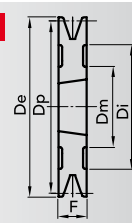
MATERIALE **GHISA**

Disegni CAD disponibili sul sito  
[www.chiaravalli.com](http://www.chiaravalli.com)

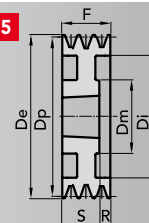
ESEC. 10



ESEC. 14



ESEC. 15



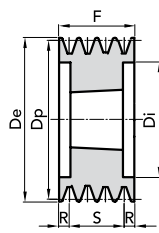
Quantità, disponibilità e prezzi con B2B Chiaravalli



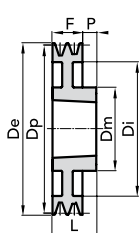
## BUSSOLA TAPER LOCK®

### SEZIONE **SPB**

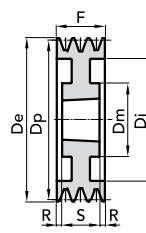
Le dimensioni riportate sulle tabelle dimensionali delle pulegge per bussola conica **SPZ-SPA-SPB-SPC** non sono impegnative anche se verranno rispettate nei limiti del possibile. Ci riserviamo la facoltà di apportare, anche senza preavviso, varianti e modifiche.



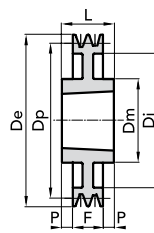
ESEC. 7



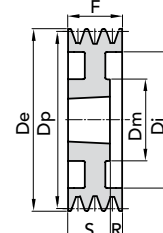
ESEC. 8A



ESEC. 9



ESEC. 10



ESEC. 15

Dp	CODICE	N°	ESEC	BUSSOLA	Ø De	Ø Di	Ø Dm	F	L	P	R	S	PESO
GOLE													Kg.
236	91302361	1	10	2012	243,6	193	100	25	32	3,5			5,40
	91302362	2	8a	2517	243,6	193	120	44	45	1			8,30
	91302363	3	15	2517	243,6	193	120	63				45	9,80
	91302364	4	7	3020	243,6	193		82			15,5	51	14,10
	91302365	5	7	3535	243,6	193		101			6	89	16,20
	91302366	6	7	3535	243,6	193		120			15,5	89	17,60
	91302368	8	7	3535	243,6	193		158			34,5	89	20,00
	250	91302501	1	10	2012	257,6	207	100	25	32	3,5		
91302502		2	8a	2517	257,6	207	120	44	45	1			8,600
91302503		3	15	3020	257,6	207	150	63			12	51	11,20
91302504		4	9	3020	257,6	207	150	82			15,5	51	12,70
91302505		5	7	3535	257,6	207		101			6	89	18,60
91302506		6	7	3535	257,6	207		120			15,5	89	20,20
91302508		8	7	3535	257,6	207		158			34,5	89	23,20
280		91302801	1	10	2012	287,6	237	100	25	32	3,5		
	91302802	2	8a	2517	287,6	237	120	44	45	1			10,10
	91302803	3	9	3020	287,6	237	150	63			6	51	12,00
	91302804	4	9	3020	287,6	237	150	82			15,5	51	14,10
	91302805	5	9	3535	287,6	237	170	101			6	89	21,40
	91302806	6	9	3535	287,6	237	170	120			15,5	89	23,50
	91302808	8	9	3535	287,6	237	175	158			34,5	89	26,60
	300	91303001	1	10	2012	307,6	257	100	25	32	3,5		
91303002		2	8a	2517	307,6	257	120	44	45	1			11,00
91303003		3	9	3020	307,6	257	150	63			6	51	13,50
91303004		4	9	3020	307,6	257	150	82			15,5	51	20,50
91303005		5	9	3535	307,6	257	170	101			6	89	22,50
91303006		6	9	3535	307,6	257	170	120			15,5	89	24,00
91303008		8	9	3535	307,6	257	175	158			34,5	89	27,30
315		91303151	1	10	2012	322,6	272	100	25	32	3,5		
	91303152	2	8a	2517	322,6	272	120	44	45	1			12,20
	91303153	3	9	3020	322,6	272	150	63			6	51	14,20
	91303154	4	10	3535	322,6	272	170	82	89	3,5			20,60
	91303155	5	9	3535	322,6	272	170	101			6	89	22,30
	91303156	6	9	3535	322,6	272	170	120			15,5	89	24,20
	91303158	8	9	3535	322,6	272	175	158			34,5	89	28,00
	335	91303352	2	8a	2517	342,6	292	120	44	45	1		
91303353		3	9	3020	342,6	292	150	63			6	51	16,00
91303354		4	10	3535	342,6	292	170	82	89	3,5			22,00
91303355		5	9	3535	342,6	292	170	101			6	89	24,00
91303356		6	9	3535	342,6	292	170	120			15,5	89	26,30
91303358		8	9	3535	342,6	292	175	158			34,5	89	30,50

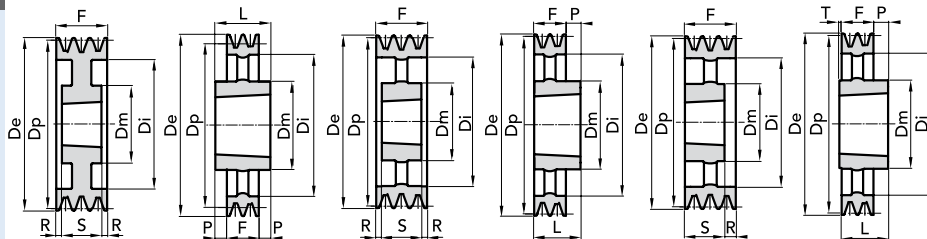
MATERIALE **GHISA**

Disegni CAD disponibili sul sito  
[www.chiaravalli.com](http://www.chiaravalli.com)

Quantità, disponibilità e prezzi  
con B2B Chiaravalli


**BUSSOLA TAPER LOCK®**
**SEZIONE SPB**

Le dimensioni riportate sulle tabelle dimensionali delle pulegge per bussola conica **SPZ-SPA-SPB-SPC** non sono impegnative anche se verranno rispettate nei limiti del possibile. Ci riserviamo la facoltà di apportare, anche senza preavviso, varianti e modifiche.



ESEC. 9

ESEC. 11

ESEC. 12

ESEC. 13

ESEC. 16

ESEC. 17

Dp	CODICE	N° GOLE	ESEC	BUSSOLA	Ø De	Ø Di	Ø Dm	F	L	P	R	S	T	PESO Kg.	
355	91303552	2	11	3020	362,6	312	150	44	51	3,5				15,90	
	91303553	3	12	3020	362,6	312	150	63			6	51		17,70	
	91303554	4	10	3535	362,6	312	170	82	89	3,5				23,20	
	91303555	5	12	3535	362,6	312	170	101			6	89		25,50	
	91303556	6	9	3535	362,6	312	170	120			15,5	89		28,40	
	91303558	8	9	3535	362,6	312	170	158			35,5	89		31,50	
	91303510	10	9	4030	362,6	312	210	196			60	76		33,50	
375	91303754	4	10	3535	382,6	332	170	82	89	3,5				27,00	
400	91304002	2	11	3020	407,6	357	150	44	51	3,5				18,30	
	91304003	3	11	3535	407,6	357	170	63	89	13				25,00	
	91304004	4	11	3535	407,6	357	170	82	89	3,5				26,50	
	91304005	5	12	3535	407,6	357	170	101			6	89		30,20	
	91304006	6	12	3535	407,6	357	170	120			15,5	89		31,80	
	91304008	8	9	4040	407,6	357	200	158			28	102		43,00	
	450	91304502	2	11	3020	457,6	407	150	44	51	3,5				19,00
91304503		3	13	3535	457,6	407	170	63	89	26				26,30	
91304504		4	13	3535	457,6	407	170	82	89	7				27,20	
91304505		5	16	3535	457,6	407	170	101			12	89		32,80	
91304506		6	16	4040	457,6	407	200	120			18	102		35,30	
91304508		8	12	4040	457,6	407	200	158			28	102		46,00	
500		91305002	2	11	3020	507,6	457	150	44	51	3,5				21,00
	91305003	3	13	3535	507,6	457	170	63	89	26				29,90	
	91305004	4	13	3535	507,6	457	170	82	89	7				34,70	
	91305005	5	16	3535	507,6	457	170	101			12	89		36,70	
	91305006	6	16	4040	507,6	457	200	120			18	102		40,70	
	91305008	8	12	4040	507,6	457	200	158			28	102		52,00	
	560	91305602	2	17	3030	567,6	517	150	44	76	28			4	24,00
91305603		3	13	3535	567,6	517	170	63	89	26				37,20	
91305604		4	13	3535	567,6	517	170	82	89	7				39,00	
91305605		5	13	4040	567,6	517	200	101	102	1				45,60	
91305606		6	16	4040	567,6	517	200	120			18	102		49,20	
91305608		8	12	4545	567,6	517	225	158			22	114		54,50	
630		91306303	3	13	3535	637,6	587	170	63	89	26				41,00
	91306304	4	13	3535	637,6	587	170	82	89	7				44,50	
	91306305	5	13	4040	637,6	587	200	101	102	1				50,00	
	91306306	6	16	4040	637,6	587	200	120			18	102		53,50	
	91306308	8	12	4545	637,6	587	225	158			22	114		67,00	
	710	91307103	3	17	3535	717,6	664	170	63	89	22			4	48,00
		91307104	4	11	3535	717,6	664	170	82	89	3,5				50,50
91307105		5	11	4040	717,6	664	200	101	102	0,5				63,50	
91307106		6	12	4545	717,6	664	225	120			3	114		69,00	
91307108		8	12	4545	717,6	664	225	158			22	114		75,50	
91307010		10	12	4545	717,6	664	225	196			41	114		82,00	

**MATERIALE GHISA**

Disegni CAD disponibili sul sito  
[www.chiaravalli.com](http://www.chiaravalli.com)

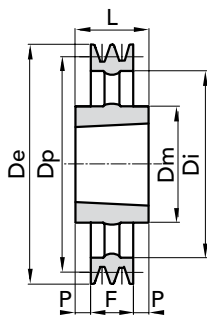
Quantità, disponibilità e prezzi  
con B2B Chiaravalli



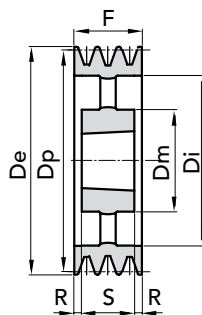
## BUSSOLA TAPER LOCK®

### SEZIONE **SPB**

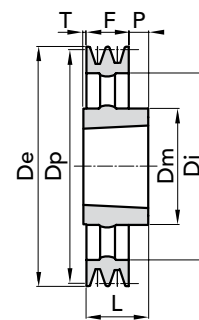
Le dimensioni riportate sulle tabelle dimensionali delle pulegge per bussola conica **SPZ-SPA-SPB-SPC** non sono impegnative anche se verranno rispettate nei limiti del possibile. Ci riserviamo la facoltà di apportare, anche senza preavviso, varianti e modifiche.



ESEC. 11



ESEC. 12



ESEC. 17

Dp	CODICE	N° GOLE	ESEC	BUSSOLA	Ø De	Ø Di	Ø Dm	F	L	P	R	S	T	PESO Kg.
800	91308003	3	17	3535	807,6	754	170	63	89	22			4	55,00
	91308004	4	17	4040	807,6	754	200	82	102	16			4	60,50
	91308005	5	11	4040	807,6	754	200	101	102	5				67,00
	91308006	6	12	4545	807,6	754	225	120			3	114		84,50
	91308008	8	12	4545	807,6	754	225	158			22	114		94,50
	91308010	10	12	4545	807,6	754	225	196				41	114	
900	91309003	3	17	3535	907,6	854	170	63	89	22			4	64,10
	91309004	4	17	4040	907,6	854	200	82	102	16			4	70,00
1000	91310003	3	17	4040	1007,6	954	200	63	102	33			6	72,00
	91310004	4	17	4040	1007,6	954	200	82	102	16			4	77,50
	91310005	5	11	4545	1007,6	954	225	101	114	6,5				110,0
	91310006	6	12	4545	1007,6	954	225	120			2	114		114,0
	91310008	8	12	5050	1007,6	954	245	158			15,5	127		121,5
	91310010	10	12	5050	1007,6	954	245	196				34,5	127	
1250	91312503	3	17	4040	1257,6	1204	200	63	102	33			6	140,0
	91312504	4	17	4545	1257,6	1204	225	82	114	26			6	162,0
	91312505	5	11	4545	1257,6	1204	225	101	114	6,5				180,0
	91312506	6	11	5050	1257,6	1204	245	120	127	3,5				210,0
	91312508	8	12	5050	1257,6	1204	245	158			15,5	127		242,0
	91312510	10	12	5050	1257,6	1204	245	196				34,5	127	

MATERIALE **GHISA**

Disegni CAD disponibili sul sito  
[www.chiaravalli.com](http://www.chiaravalli.com)

Quantità, disponibilità e prezzi  
con B2B Chiaravalli

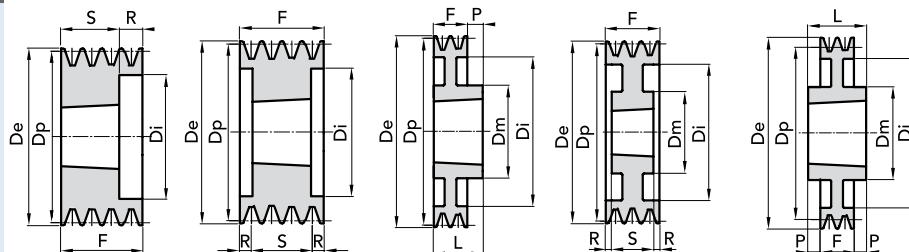




## BUSSOLA TAPER LOCK®

### SEZIONE **SPC**

Le dimensioni riportate sulle tabelle dimensionali delle pulegge per bussola conica **SPZ-SPA-SPB-SPC** non sono impegnative anche se verranno rispettate nei limiti del possibile. Ci riserviamo la facoltà di apportare, anche senza preavviso, varianti e modifiche.



ESEC. 6

ESEC. 7

ESEC. 8

ESEC. 9

ESEC. 10

Dp	CODICE	N° GOLE	ESEC	BUSSOLA	Ø De	Ø Di	Ø Dm	F	L	P	R	S	PESO Kg.	
180	91401803	3	7	2517	190,2	128		85			20	45	9,20	
	91401804	4	7	2517	190,2	124		110,5			32,75	45	11,50	
	91401805	5	7	3020	190,2	124		136			42,5	51	13,70	
	91401806	6	7	3020	190,2	124		161,5			55,25	51	16,50	
200	91402002	2	6	2517	210,2	144		59,5			14,5	45	10,00	
	91402003	3	7	2517	210,2	144		85			17	51	10,20	
	91402004	4	7	3020	210,2	144		110,5			10,75	89	11,30	
	91402005	5	7	3535	210,2	144		136			23,5	89	12,20	
	91402006	6	7	3535	210,2	144		161,5			36,25	89	14,10	
	91402008	8	7	3535	210,2	144		212,5			61,75	89	20,00	
	224	91402242	2	6	3020	234,2	173		59,5			8,5	51	11,00
		91402243	3	7	3020	234,2	173		85			17	51	12,70
91402244		4	7	3535	234,2	173		110,5			10,75	89	14,50	
91402245		5	7	3535	234,2	173		136			23,5	89	16,60	
91402246		6	7	3535	234,2	173		161,5			36,25	89	18,00	
91402248		8	7	3535	234,2	170		212,5			61,75	89	22,90	
91402210		10	7	4040	234,2	170		263,5			80,75	102	28,00	
236		91402368	6	7	3535	246,2	180		161,5			36,25	89	21,30
		250	91402502	2	6	3020	260,2	198		59,5			8,5	51
91402503			3	7	3020	260,2	198		85			17	51	16,50
91402504	4		7	3535	260,2	198		110,5			10,75	89	19,30	
91402505	5		7	3535	260,2	198		136			23,5	89	21,50	
91402506	6		7	3535	260,2	198		161,5			36,25	89	20,90	
91402508	8		7	3535	260,2	198		212,5			61,75	89	29,00	
91402510	10		7	4040	260,2	198		263,5			80,75	102	35,00	
280	91402802		2	8	3535	290,2	228	170	59,5	89	29,5			18,00
	91402803		3	8	3535	290,2	228	170	85	89	4			22,70
	91402804		4	7	3535	290,2	228		110,5			10,75	89	25,40
	91402805	5	7	3535	290,2	228		136			23,5	89	28,40	
	91402806	6	7	3535	290,2	228		161,5			36,25	89	31,50	
	91402808	8	7	3535	290,2	228		212,5			61,75	89	36,10	
	91402810	10	7	4040	290,2	222		263,5			80,75	102	42,10	
	300	91403002	2	8	3535	310,2	247	170	59,5	89	29,5			21,00
91403003		3	10	3535	310,2	247	170	85	89	2			22,60	
91403004		4	9	3535	310,2	247	170	110,5			10,75	89	25,00	
91403005		5	9	3535	310,2	247	170	136			23,5	89	28,50	
91403006		6	9	3535	310,2	247	170	161,5			36,25	89	31,50	
91403008		8	7	4040	310,2	247	170	212,5			55,25	102	37,10	
91403010		10	7	4545	310,2	242	170	263,5			74,75	114	44,10	
315		91403152	2	8	3535	325,2	264	170	59,5	89	29,5			21,00
		91403153	3	10	3535	325,2	264	170	85	89	2			22,00
		91403154	4	9	3535	325,2	264	170	110,5			10,75	89	25,30
	91403155	5	9	3535	325,2	264	170	136			23,5	89	28,10	
	91403156	6	9	3535	325,2	264	170	161,5			36,25	89	33,20	
	91403157	8	7	4040	325,2	258	170	212,5			55,25	102	40,00	
	91403158	10	7	4545	325,2	258	170	263,5			74,75	114	47,00	

MATERIALE **GHISA**

Disegni CAD disponibili sul sito  
[www.chiaravalli.com](http://www.chiaravalli.com)

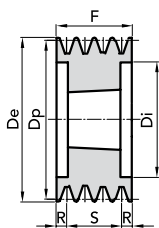
Quantità, disponibilità e prezzi  
con B2B Chiaravalli



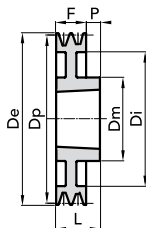
## BUSSOLA TAPER LOCK®

### SEZIONE SPC

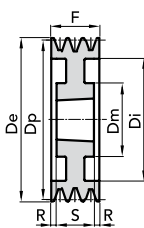
Le dimensioni riportate sulle tabelle dimensionali delle pulegge per bussola conica **SPZ-SPA-SPB-SPC** non sono impegnative anche se verranno rispettate nei limiti del possibile. Ci riserviamo la facoltà di apportare, anche senza preavviso, varianti e modifiche.



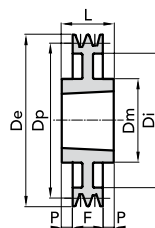
ESEC. 7



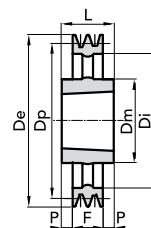
ESEC. 8



ESEC. 9



ESEC. 10



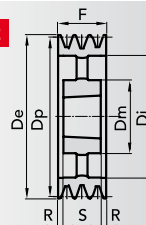
ESEC. 11

Dp	CODICE	N°	ESEC	BUSSOLA	Ø De	Ø Di	Ø Dm	F	L	P	R	S	T	PESO
GOLE														Kg.
335	91403352	2	8	3535	345,2	279	170	59,5	89	29,5				22,00
	91403353	3	10	3535	345,2	279	170	85	89	2				24,10
	91403354	4	9	3535	345,2	279	170	110,5			10,75	89		27,50
	91403355	5	9	3535	345,2	279	170	136			23,5	89		31,00
	91403356	6	9	3535	345,2	279	170	161,5			36,25	89		37,50
	91403358	8	9	4040	345,2	279	200	212,5			55,25	102		44,00
	91403310	10	7	4545	345,2	279		263,5			74,75	114		51,00
355	91403552	2	8	3535	365,2	304	170	59,5	89	29,5				23,00
	91403553	3	10	3535	365,2	304	170	85	89	2				26,20
	91403554	4	9	3535	365,2	304	170	110,5			10,75	89		29,30
	91403555	5	9	3535	365,2	304	170	136			23,5	89		33,50
	91403556	6	9	3535	365,2	304	170	161,5			36,25	89		40,50
	91403558	8	7	4040	365,2	304		212,5			55,25	102		49,00
	91403510	10	7	4545	365,2	299		263,5			74,75	114		57,00
400	91404002	2	17	3535	410,2	344	170	59,5	89	27,5			2	17,00
	91404003	3	11	3535	410,2	344	170	85	89	2				29,30
	91404004	4	12	3535	410,2	344	170	110,5			10,75	89		33,80
	91404005	5	12	3535	410,2	344	170	136			23,5	89		38,50
	91404006	6	9	4040	410,2	344	200	161,5			29,75	102		48,00
	91404008	8	9	4545	410,2	344	225	212,5			49,75	114		58,00
	91404010	10	7	5050	410,2	342		263,5			68,25	127		66,00
450	91404502	2	17	3535	460,2	394	170	59,5	89	27,5			2	27,00
	91404503	3	11	3535	460,2	394	170	85	89	2				34,70
	91404504	4	12	3535	460,2	394	170	110,5			10,75	89		41,30
	91404505	5	12	4040	460,2	394	200	136			17	102		45,30
	91404506	6	9	4545	460,2	394	225	161,5			23,75	114		57,50
	91404508	8	9	5050	460,2	394	245	212,5			42,75	127		70,00
	91404510	10	9	5050	460,2	394	245	263,5			68,25	127		78,00
500	91405003	3	11	3535	510,2	444	170	85	89	2				40,00
	91405004	4	12	3535	510,2	444	170	110,5			10,75	89		46,00
	91405005	5	12	4040	510,2	444	200	136			17	102		51,00
	91405006	6	12	4545	510,2	444	225	161,5			23,75	114		67,00
	91405008	8	9	5050	510,2	444	245	212,5			42,75	127		82,50
	91405010	10	9	5050	510,2	444	245	263,5			68,25	127		95,50
	560	91405603	3	11	3535	570,2	504	170	85	89	2			
91405604		4	12	4040	570,2	504	200	110,5			4,25	102		58,00
91405605		5	12	4545	570,2	504	225	136			11	114		56,70
91405606		6	12	5050	570,2	504	245	161,5			17,25	127		77,50
91405608		8	12	5050	570,2	504	245	212,5			42,75	127		94,50
91405610		10	9	5050	570,2	504	245	263,5			68,25	127		94,70

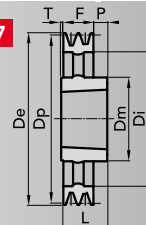
### MATERIALE GHISA

Disegni CAD disponibili sul sito  
[www.chiaravalli.com](http://www.chiaravalli.com)

ESEC. 12



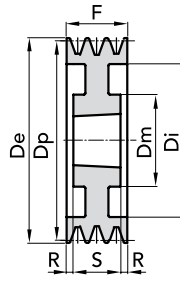
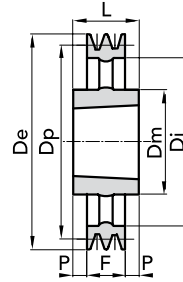
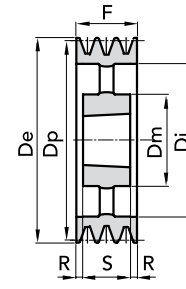
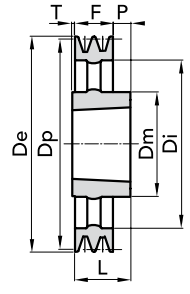
ESEC. 17



Quantità, disponibilità e prezzi  
con B2B Chiaravalli


**BUSSOLA TAPER LOCK®**
**SEZIONE SPC**

Le dimensioni riportate sulle tabelle dimensionali delle pulegge per bussola conica **SPZ-SPA-SPB-SPC** non sono impegnative anche se verranno rispettate nei limiti del possibile. Ci riserviamo la facoltà di apportare, anche senza preavviso, varianti e modifiche.


**ESEC. 9**

**ESEC. 11**

**ESEC. 12**

**ESEC. 17**

Dp	CODICE	N° GOLE	ESEC	BUSSOLA	Ø De	Ø Di	Ø Dm	F	L	P	R	S	T	PESO Kg.
630	91406303	3	11	4040	640,2	574	200	85	102					76,30
	91406304	4	11	4545	640,2	574	225	110,5	114	1,75				63,80
	91406305	5	12	5050	640,2	574	245	136			4,5	127		73,00
	91406306	6	12	5050	640,2	574	245	161,5			17,25	127		88,50
	91406308	8	12	5050	640,2	574	245	212,5			42,75	127		102,0
	91406310	10	9	5050	640,2	574	245	263,5			68,25	127		113,2
710	91407104	4	17	5050	720,2	654	267	110,5	127	12			4,5	83,20
	91407105	5	12	5050	720,2	654	245	136						93,00
	91407106	6	12	5050	720,2	654	245	161,5						107,3
	91407108	8	12	5050	720,2	654	245	212,5						123,5
	91407110	10	12	5050	720,2	654	245	263,5						133,4
800	91408003	3	17	5050	810,2	737	245	85	127	38			4	87,00
	91408004	4	17	5050	810,2	737	245	110,5	127	12			4,5	102,5
	91408005	5	12	5050	810,2	737	245	136			4,5	127		119,0
	91408006	6	12	5050	810,2	737	245	161,5			17,5	127		126,0
	91408008	8	12	5050	810,2	737	245	212,5			42,75	127		145,0
	91408010	10	12	5050	810,2	737	245	263,5			68,25	127		160,0
1000	91410003	3	17	5050	1010,2	937	245	85	127	38			4	120,0
	91410004	4	17	5050	1010,2	937	245	110,5	127	12			4,5	130,0
	91410005	5	12	5050	1010,2	937	245	136			4,5	127		147,0
	91410006	6	12	5050	1010,2	937	245	161,5			17,5	127		185,0
	91410008	8	12	5050	1010,2	937	245	212,5			42,75	127		207,0
	91410010	10	12	5050	1010,2	937	245	263,5			68,25	127		227,0
1250	91412503	3	17	5050	1260,2	1187	245	85	127	38			4	175,0
	91412504	4	17	5050	1260,2	1187	245	110,5	127	12			4,5	186,0
	91412505	5	12	5050	1260,2	1187	245	136			4,5	127		210,0
	91412506	6	12	5050	1260,2	1187	245	161,5			17,5	127		258,0
	91412508	8	12	5050	1260,2	1187	245	212,5			42,75	127		285,0
	91412510	10	12	5050	1260,2	1187	245	263,5			68,25	127		300,0

**MATERIALE GHISA**

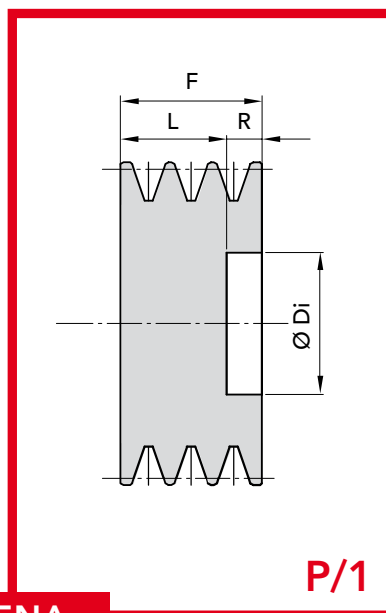
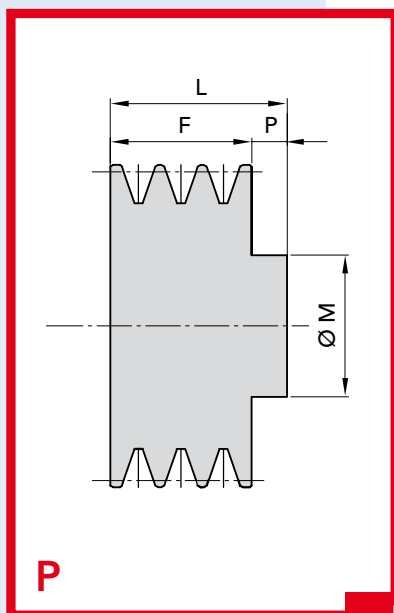
Disegni CAD disponibili sul sito  
[www.chiaravalli.com](http://www.chiaravalli.com)

Quantità, disponibilità e prezzi  
con B2B Chiaravalli

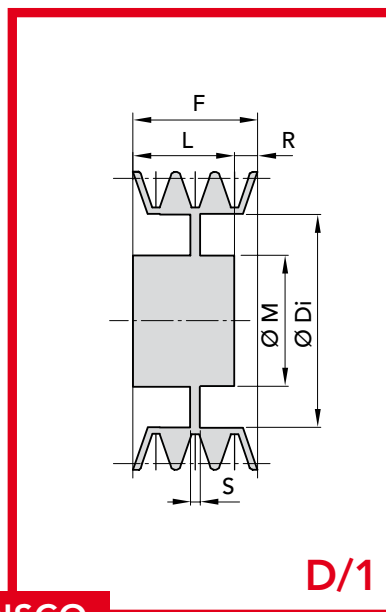
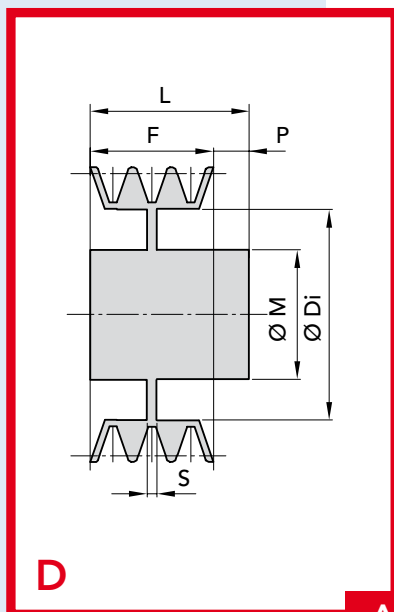


# PULEGGE A GOLA TRAPEZOIDALI IN GHISA

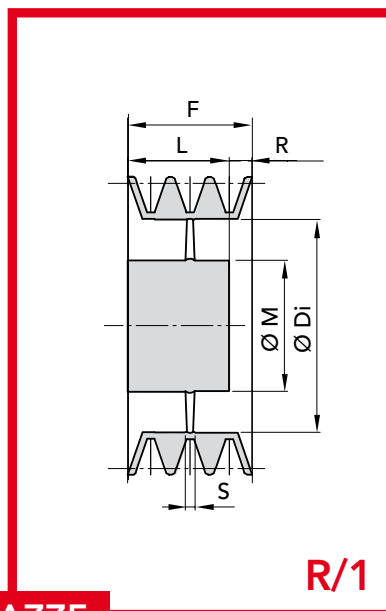
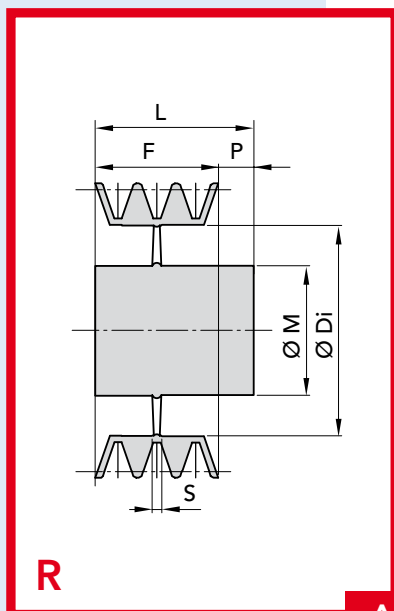




PIENA



A DISCO



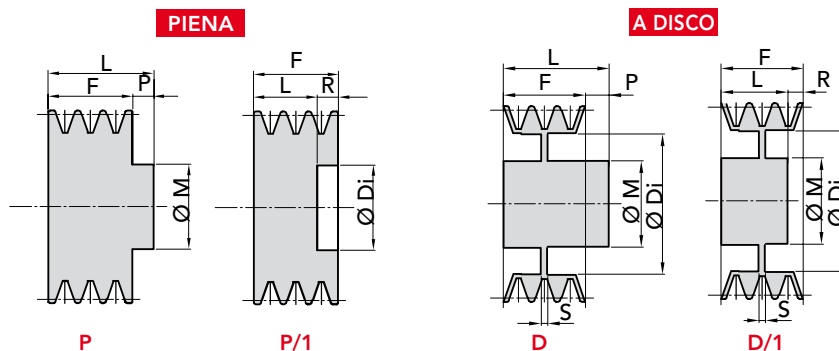
A RAZZE





## MOZZO PIENO

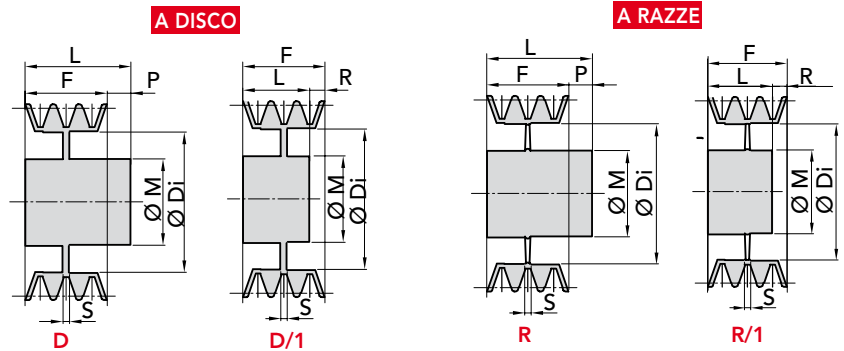
### SEZIONE SPA



Dp	CODICE	N°	FORMA	ØM	L	ØDi	S	F	P	R	PESO
		GOLE				min				Kg.	
40	91220401	1	P	40	35		20	15			0,20
50	91220501	1	P	40	35		20	15			0,30
	91220502	2	P	40	45		35	10			0,40
55	91220551	1	P	40	35		20	15			0,40
	91220552	2	P	40	45		35	10			0,60
60	91220601	1	P	40	35		20	15			0,40
	91220602	2	P	40	45		35	10			0,65
	91220603	3	P	40	50		50				0,90
63	91220631	1	P	40	35		20	20			0,50
	91220632	2	P	40	45		35	10			0,70
	91220633	3	P	40	50		50				0,90
65	91220651	1	P	40	40		20	20			0,50
	91220652	2	P	50	45		35	10			0,75
	91220653	3	P	52	50		50				1,00
70	91220701	1	P	40	40		20	20			0,50
	91220702	2	P	50	45		35	10			0,80
	91220703	3	P	52	50		50				1,10
	91220704	4	P	52	65		65				1,40
	91220705	5	P	52	80		80				1,70
75	91220751	1	P	40	40		20	20			0,50
	91220752	2	P	50	45		35	10			1,10
	91220753	3	P	52	50		50				1,50
	91220754	4	P	52	65		65				2,00
	91220755	5	P	52	80		80				2,50
80	91220801	1	P	45	40		20	20			0,50
	91220802	2	P	50	45		35	10			1,00
	91220803	3	P	62	50		50				1,50
	91220804	4	P	62	65		65				2,00
	91220805	5	P	62	80		80				2,50
85	91220851	1	P	45	40		20	20			0,60
	91220852	2	P	50	45		35	10			1,20
	91220853	3	P	62	50		50				1,80
	91220854	4	P	62	65		65				2,40
	91220855	5	P	62	80		80				3,00
90	91220901	1	P	45	40		20	20			0,80
	91220902	2	P	60	45		35	10			1,40
	91220903	3	P	62	50		50				2,00
	91220904	4	P	68	65		65				2,60
	91220905	5	P	68	80		80				3,20

Dp	CODICE	N°	FORMA	ØM	L	ØDi	S	F	P	R	PESO
		GOLE				min				Kg.	
95	91220951	1	P	45	40		20	20			0,70
	91220952	2	P	60	45		35	10			1,50
	91220953	3	P	62	50		50				2,30
	91220954	4	P	68	65		65				3,10
	91220955	5	P	68	80		80				3,90
100	91221001	1	P	48	40		20	20			0,80
	91221002	2	P	60	45		35	10			1,30
	91221003	3	P	62	50		50				1,80
	91221004	4	P/1		52	67	65		13		2,25
	91221005	5	P/1		52	67	80		28		2,10
105	91221051	1	P	48	40		20	20			0,80
	91221052	2	P	60	45		35	10			1,60
	91221053	3	P	62	50		50				2,40
	91221054	4	P/1		52	67	65		13		3,13
	91221055	5	P/1		52	67	80		28		3,30
112	91221121	1	P	48	40		20	20			1,00
	91221122	2	P	60	45		35	10			1,70
	91221123	3	P	62	50		50				2,40
	91221124	4	P/1		52	79	65		13		2,64
	91221125	5	P/1		52	79	80		28		2,80
120	91221201	1	P	60	40		20	20			1,20
	91221202	2	P	60	50		35	15			1,85
	91221203	3	P	70	50		50				2,40
	91221204	4	P/1		52	87	65		13		2,93
	91221205	5	P/1		52	87	80		28		3,70
125	91221251	1	P	60	40		20	20			1,30
	91221252	2	P	60	50		35	15			1,90
	91221253	3	P	70	50		50				2,50
	91221254	4	P		50		50				3,10
130	91221301	1	P	60	45		20	20			1,40
	91221302	2	P	60	45		35	10			2,20
	91221303	3	P	70	52		50				3,00
	91221304	4	P/1		52	97	65		13		3,10
	91221305	5	P/1		52	97	80		28		2,80
140	91221401	1	D	60	40	107	10	20	20		1,50
	91221402	2	D	60	50	107	10	35	15		2,00
	91221403	3	D	70	52	107	12	50	2		2,50
	91221404	4	P/1		52	107	65		13		2,70
	91221405	5	P/1		52	107	80		28		1,70
150	91221501	1	D	60	40	107	10	20	20		1,60
	91221502	2	D	60	45	107	10	35	10		2,50
	91221503	3	D	70	52	107	12	50	2		3,60
	91221504	4	P/1		52	107	65		13		4,40
	91221505	5	P/1		52	107	80		28		4,00

MATERIALE GHISA


**MOZZO PIENO**
**SEZIONE SPA**


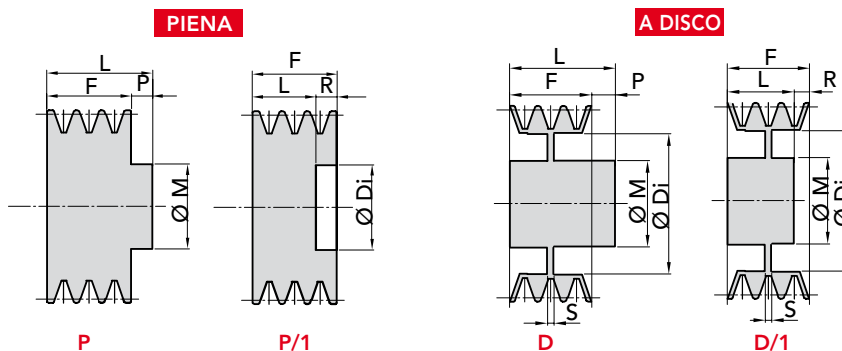
Dp	CODICE	N°	FORMA	ØM	L	ØDi	S	F	P	R	PESO	Dp	CODICE	N°	FORMA	ØM	L	ØDi	S	F	P	R	PESO
GOLE												GOLE											
min												min											
Kg.												Kg.											
160	91221601	1	D	60	40	127	10	20	20		1,70	355	91223551	1	R	75	50	322	14	20	30		5,50
	91221602	2	D	60	50	127	10	35	15		2,40		91223552	2	R	80	50	322	14	35	15		7,70
	91221603	3	D	70	52	127	12	50	2		2,80		91223553	3	R	90	60	322	14	50	10		9,90
	91221604	4	D/1	70	52	127	18	65		13	2,45		91223554	4	R	95	65	322	18	65			12,10
	91221605	5	D/1	80	52	127	18	80		28	3,20		91223555	5	R/1	100	65	322	20	80	15		13,45
170	91221701	1	D	60	40	137	12	20	20		2,00	400	91224001	1	R	90	50	367	14	20	30		6,80
	91221702	2	D	60	45	137	12	35	10		2,90		91224002	2	R	90	50	367	14	35	15		8,80
	91221703	3	D	70	52	137	12	50	2		3,80		91224003	3	R	100	60	367	16	50	10		11,0
	91221704	4	D/1	80	52	137	18	65		13	4,10		91224004	4	R	100	65	367	20	65			13,2
	91221705	5	D/1	80	52	137	18	80		28	4,60		91224005	5	R/1	100	65	367	24	80	15		14,5
180	91221801	1	D	65	40	147	12	20	20		2,50	450	91224501	1	R	90	50	417	14	20	30		7,50
	91221802	2	D	70	50	147	12	35	15		3,10		91224502	2	R	100	50	417	14	35	15		9,11
	91221803	3	D	70	52	147	12	50	2		4,20		91224503	3	R	100	60	417	16	50	10		11,30
	91221804	4	D/1	80	60	147	18	65		5	4,80		91224504	4	R/1	105	65	417	20	65	5		12,90
	91221805	5	D/1	80	65	147	18	80		15	5,00		91224505	5	R/1	105	65	417	24	80	15		14,25
190	91221902	2	D	70	50	157	12	35	15		3,20	500	91225001	1	R	90	50	467	14	20	30		10,50
200	91222001	1	D	65	45	167	12	20	25		2,70		91225002	2	R	100	50	467	16	35	15		10,70
	91222002	2	D	70	50	167	12	35	15		3,70		91225003	3	R	105	60	467	20	50	10		10,90
	91222003	3	D	70	50	167	12	50		5	4,80		91225004	4	R/1	105	65	467	25	65	5		10,80
	91222004	4	D/1	80	60	167	18	65		15	5,50		91225005	5	R/1	110	65	467	28	80	15		11,00
	91222005	5	D/1	80	65	167	18	80			5,80	560	91225601	1	R	100	50	527	16	20	30		12,00
225	91222251	1	D	65	45	192	12	20	25		3,00		91225602	2	R	100	50	527	20	35	15		13,20
	91222252	2	D	70	50	192	12	35	15		3,80		91225603	3	R	120	65	527	22	50	15		13,40
	91222253	3	D	80	50	192	12	50		5	5,00		91225604	4	R	120	65	527	25	65			13,70
	91222254	4	D/1	90	60	192	18	65		15	5,60		91225605	5	R	120	80	527	30	80			14,00
	91222255	5	D/1	90	65	192	18	80			6,00	600	91226001	1	R	100	50	567	16	20	30		14,70
250	91222501	1	D	75	50	217	12	20	30		3,70		91226002	2	R	110	50	567	20	35	15		15,10
	91222502	2	D	75	50	217	12	35	15		4,30		91226003	3	R	120	65	567	22	50	15		18,80
	91222503	3	D	80	60	217	12	50	10		4,60		91226004	4	R	120	65	567	25	65			22,50
	91222504	4	D	90	65	217	18	65		15	6,10		91226005	5	R	120	80	567	30	80			26,20
	91222505	5	D/1	90	65	217	18	80			6,20	630	91226302	2	R	110	50	597	20	35	15		15,40
280	91222801	1	R	75	50	247	14	20	30		3,90		91226303	3	R	120	65	597	22	50	15		19,20
	91222802	2	R	80	50	247	14	35	15		5,30		91226304	4	R	120	65	597	25	65			25,00
	91222803	3	R	80	60	247	14	50	10		6,70		91226305	5	R	120	80	597	30	80			31,00
	91222804	4	R	90	65	247	14	65		15	8,10												
	91222805	5	R/1	100	65	247	14	80			8,80												
300	91223001	1	R	75	50	267	14	20	30		4,20												
	91223002	2	R	80	50	267	14	35	15		5,90												
	91223003	3	R	80	60	267	14	50	10		7,60												
	91223004	4	R	90	70	267	14	65	5	10	9,30												
	91223005	5	R/1	100	70	267	14	80			10,3												
315	91223152	2	R	80	50	282	14	35	15		6,60												

**MATERIALE GHISA**



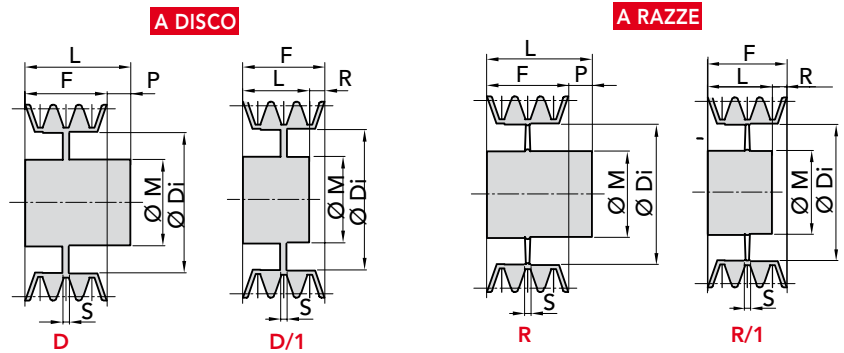
## MOZZO PIENO

### SEZIONE SPB



Dp	CODICE	N°	FORMA	ØM	L	ØDi	S	F	P	R	PESO	Dp	CODICE	N°	FORMA	ØM	L	ØDi	S	F	P	R	PESO	
GOLE												GOLE												
min												min												
Kg.												Kg.												
60	91320603	3	P	50	67	63	4	1,70	130	91321301	1	P	60	45	25	20	2,00							
70	91320701	1	P	45	45	25	20	0,70	91321302	2	P	60	55	44	11	2,60								
	91320702	2	P	45	55	44	11	1,40	91321303	3	P/1	60	88	63	3	4,20								
	91320703	3	P	63	63	63		2,10	91321304	4	P/1	60	88	82	22	5,00								
	91320704	4	P	82	82	82		2,50	91321305	5	P/1	60	88	101	41	5,50								
	91320705	5	P	101	101	101		3,00	140	91321401	1	P	65	45	25	20	2,10							
80	91320801	1	P	50	45	25	20	1,00	91321402	2	P	65	55	44	11	2,90								
	91320802	2	P	50	55	44	11	1,60	91321403	3	P/1	60	98	63	3	4,40								
	91320803	3	P	50	63	63		2,20	91321404	4	P/1	60	98	82	22	5,30								
	91320804	4	P	82	82	82		2,80	91321405	5	P/1	60	98	101	41	5,74								
	91320805	5	P	101	101	101		3,40	91321406	6	P/1	60	98	120	60	6,74								
90	91320901	1	P	50	45	25	20	1,10	150	91321501	1	P	65	45	25	20	2,40							
	91320902	2	P	50	55	44	11	1,70	91321502	2	P	65	55	44	11	3,20								
	91320903	3	P	63	63	63		2,30	91321503	3	P/1	60	108	63	3	4,60								
	91320904	4	P	82	82	82		2,90	91321504	4	P/1	60	108	82	22	5,50								
	91320905	5	P	101	101	101		3,50	91321505	5	P/1	60	108	101	41	6,00								
100	91321001	1	P	52	45	25	20	1,30	91321506	6	P/1	60	108	120	60	7,00								
	91321002	2	P	55	55	44	11	1,80	160	91321601	1	D	65	45	118	12	25	20	2,50					
	91321003	3	P	63	63	63		2,90	91321602	2	D	70	55	118	12	44	11	3,30						
	91321004	4	P	82	82	82		3,70	91321603	3	P/1	60	118	63	3	4,80								
	91321005	5	P	101	101	101		4,50	91321604	4	P/1	60	118	82	22	5,70								
112	91321121	1	P	55	45	25	20	1,50	91321605	5	P/1	60	118	101	41	7,00								
	91321122	2	P	60	55	44	11	1,90	91321606	6	P/1	65	118	120	55	8,30								
	91321123	3	P	63	63	63		3,50	170	91321701	1	D	65	45	128	12	25	20	2,80					
	91321124	4	P	82	82	82		4,70	91321702	2	D	70	55	128	12	44	11	3,40						
	91321125	5	P	101	101	101		4,80	91321703	3	P/1	60	128	63	3	5,10								
120	91321201	1	P	55	45	25	20	1,70	91321704	4	P/1	60	128	82	22	5,92								
	91321202	2	P	60	55	44	11	2,10	91321705	5	P/1	60	128	101	41	7,30								
	91321203	3	P	63	63	63		3,80	91321706	6	P/1	65	128	120	55	8,70								
	91321204	4	P	82	82	82		4,20	180	91321801	1	D	65	45	138	12	25	20	3,10					
	91321205	5	P	101	101	101		5,00	91321802	2	D	70	55	138	12	44	11	3,90						
125	91321251	1	P	58	45	25	20	1,90	91321803	3	D/1	80	60	138	18	63	3	5,20						
	91321252	2	P	60	55	44	11	2,40	91321804	4	P/1	60	138	82	22	6,18								
	91321253	3	P/1	60	83	63	3	4,00	91321805	5	P/1	70	138	101	31	7,40								
	91321254	4	P/1	60	83	82	22	4,70	91321806	6	P/1	70	138	120	50	8,70								
	91321255	5	P/1	60	83	101	41	5,20																

MATERIALE GHISA


**MOZZO PIENO**
**SEZIONE SPB**


Dp	CODICE	N°	FORMA	ØM	L	ØDi	S	F	P	R	PESO	Dp	CODICE	N°	FORMA	ØM	L	ØDi	S	F	P	R	PESO
GOLE												GOLE											
min												min											
Kg.												Kg.											
200	91322001	1	D	70	45	158	14	25	20		3,40	315	91323151	1	R	76	50	273	15	25	25		6,40
	91322002	2	D	70	55	158	14	44	11		4,40		91323152	2	R	88	60	273	15	44	16		8,20
	91322003	3	D/1	88	60	158	18	63		3	5,80		91323153	3	R/1	90	60	273	18	63		3	14,0
	91322004	4	D/1	88	60	158	25	82		22	6,77		91323154	4	R/1	96	65	273	20	82		17	17,0
	91322005	5	D/1	96	70	158	25	101		31	8,17		91323155	5	R/1	104	75	273	22	101		26	19,0
	91322006	6	D/1	96	80	158	25	120		50	9,57		91323156	6	R/1	120	90	273	22	120		30	24,0
212	91322121	1	D	70	45	170	14	25	20		3,70	340	91323401	1	R	80	50	298	15	25	25		6,70
	91322122	2	D	77	55	170	14	44	11		4,60		91323402	2	R	88	60	298	15	44	16		12,5
	91322123	3	D/1	88	60	170	18	63		3	6,00		91323403	3	R/1	92	60	298	18	63		3	15,0
	91322124	4	D/1	88	60	170	25	82		22	7,00		91323404	4	R/1	96	65	298	20	82		17	19,0
	91322125	5	D/1	96	70	170	25	101		31	8,60		91323405	5	R/1	104	75	298	22	101		26	20,0
	91322126	6	D/1	104	80	170	25	120		40	10,0		91323406	6	R/1	120	90	298	22	120		30	28,0
224	91322244	4	D/1	88	60	170	25	82		22	3,85	355	91323551	1	R	80	50	313	16	25	25		7,00
225	91322251	1	D	70	45	183	14	25	20		4,00		91323552	2	R	88	60	313	18	44	16		13,0
	91322252	2	D	77	55	183	14	44	11		5,40		91323553	3	R/1	92	60	313	22	63		3	16,0
	91322253	3	D/1	88	60	183	18	63		3	6,90		91323554	4	R/1	96	65	313	22	82		17	19,0
	91322254	4	D/1	88	60	183	25	82		22	7,83		91323555	5	R/1	104	75	313	24	101		26	21,0
	91322255	5	D/1	96	70	183	25	101		31	9,33		91323556	6	R/1	120	90	313	24	120		30	29,0
	91322256	6	D/1	104	80	183	25	120		40	10,83	380	91323801	1	R	85	55	338	20	25	30		8,00
236	91322364	4	D/1	88	60	170	25	82		22	8,10		91323802	2	R	88	60	338	20	44	16		13,5
250	91322501	1	D	70	50	208	14	25	25		4,20		91323803	3	R	96	65	338	22	63	2		17,0
	91322502	2	D	77	55	208	14	44	11		6,10		91323804	4	R/1	104	75	338	24	82		7	20,0
	91322503	3	D/1	88	60	208	18	63		3	8,60		91323805	5	R/1	112	85	338	24	101		16	23,0
	91322504	4	D/1	96	65	208	25	82		17	10,36		91323806	6	R/1	120	100	338	28	120		20	30,0
	91322505	5	D/1	104	75	208	25	101		26	12,86	400	91324001	1	R	85	55	358	20	25	30		9,80
	91322506	6	D/1	104	80	208	25	120		40	15,36		91324002	2	R	88	60	358	20	44	16		14,0
280	91322801	1	R	76	50	238	14	25	25		5,70		91324003	3	R	96	65	358	22	63	2		18,0
	91322802	2	R	80	55	238	14	44	11		7,00		91324004	4	R/1	104	75	358	24	82		7	21,0
	91322803	3	R/1	90	60	238	18	63		3	9,60		91324005	5	R/1	112	85	358	24	101		16	24,0
	91322804	4	R/1	96	65	238	25	82		17	12,06		91324006	6	R/1	120	100	358	28	120		20	32,0
	91322805	5	R/1	104	75	238	25	101		26	13,91	425	91324503	3	R	96	65	383	24	63	2		19,0
	91322806	6	R/1	104	80	238	25	120		40	17,0		91324504	4	R/1	104	75	383	24	82		7	22,0
300	91323001	1	R	76	50	258	15	25	25		6,50		91324505	5	R/1	112	85	383	28	101		16	26,0
	91323002	2	R	80	55	258	15	44	11		7,50		91324256	6	R/1	120	100	358	28	120		20	35,0
	91323003	3	R/1	90	60	258	18	63		3	12,0												
	91323004	4	R/1	96	65	258	20	82		17	16,0												
	91323005	5	R/1	104	75	258	22	101		26	19,0												
	91323006	6	R/1	104	80	258	22	120		40	23,0												

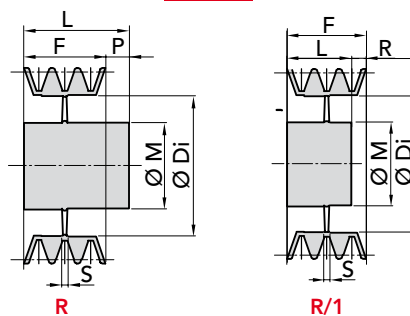
**MATERIALE GHISA**



## MOZZO PIENO

### SEZIONE **SPB**

A RAZZE



Dp	CODICE	N°	FORMA	ØM	L	ØDi	S	F	P	R	PESO
		GOLE				min				Kg.	
450	91324501	1	R	90	60	408	20	25	35		10,00
	91324502	2	R	90	60	408	20	44	16		14,50
	91324503	3	R	96	65	408	24	63	2		22,00
	91324504	4	R/1	104	75	408	26	82	7		25,00
	91324505	5	R/1	112	85	408	26	101	16		28,50
	91324506	6	R/1	120	100	408	30	120	20		36,00
500	91325001	1	R	100	60	458	20	25	35		11,00
	91325002	2	R	100	65	458	20	44	21		15,00
	91325003	3	R	104	75	458	24	63	12		24,00
	91325004	4	R	112	85	458	26	82	3		27,50
	91325005	5	R/1	120	90	458	30	101	11		31,00
	91325006	6	R/1	129	105	458	30	120	15		39,00
560	91325601	1	R	100	60	518	20	25	35		15,00
	91325602	2	R	100	65	518	20	44	21		17,00
	91325603	3	R	104	75	518	24	63	12		29,50
	91325604	4	R	112	85	518	26	82	3		34,00
	91325605	5	R/1	120	90	518	30	101	11		36,00
	91325606	6	R/1	128	105	518	35	120	15		48,00
600	91326001	1	R	100	60	558	22	25	35		16,00
	91326002	2	R	100	65	558	22	44	21		18,00
	91326003	3	R	104	75	558	28	63	12		31,00
	91326004	4	R	115	85	558	28	82	3		35,00
	91326005	5	R/1	120	90	558	30	101	11		42,00
	91326006	6	R/1	128	105	558	35	120	15		49,00
630	91326301	1	R	100	60	588	22	25	35		18,00
	91326302	2	R	100	65	588	28	44	21		19,00
	91326303	3	R	104	75	588	28	63	12		33,00
	91326304	4	R	120	85	588	32	82	3		36,00
	91326305	5	R/1	128	90	588	32	101	11		48,00

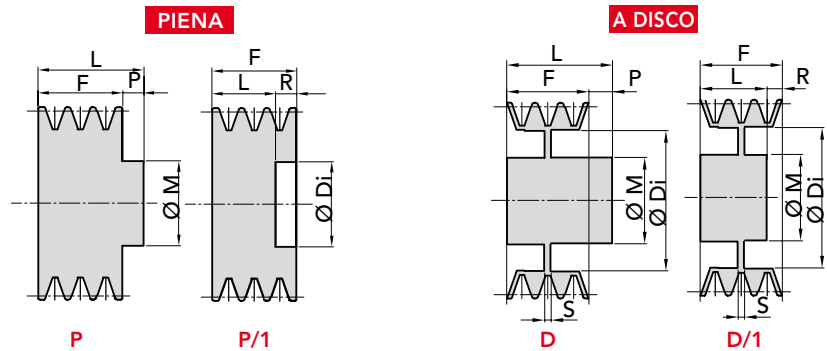
MATERIALE **GHISA**

Disegni CAD disponibili sul sito  
[www.chiaravalli.com](http://www.chiaravalli.com)

Quantità, disponibilità e prezzi  
 con B2B Chiaravalli




**MOZZO PIENO**

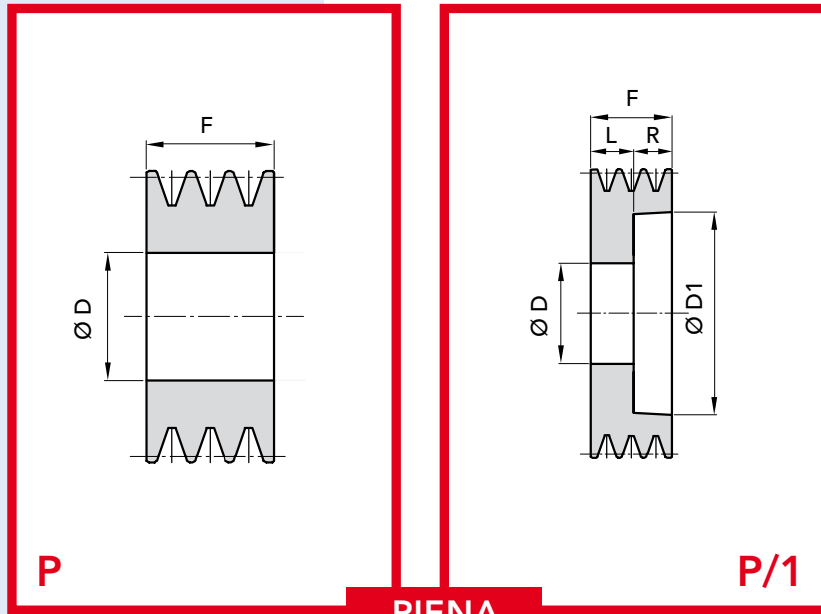
 SEZIONE **SPC**


Dp	CODICE	N°	FORMA	ØM	L	ØDi	S	F	P	R	PESO
		GOLE				min				Kg.	
120	91421201	1	P	65	50			34	16		2,30
	91421202	2	P	65	65			59,5	5,5		2,60
140	91421401	1	P	70	55			34	21		2,10
	91421402	2	P		59,5			59,5			2,90
	91421403	3	P/1		65	83		85	20		3,90
	91421404	4	P/1		80	83		111	30,5		4,74
150	91421501	1	P	70	50			34	16		3,10
	91421502	2	P	72	59,5			59,5			3,90
	91421503	3	P/1		65	93		85	20		4,70
	91421504	4	P/1		80	93		111	30,5		5,70
	91421505	5	P/1		96	93		136	40		6,70
	160	91421601	1	P	72	50			34	16	
91421602		2	P		59,5			59,5			4,60
91421603		3	P/1		65	103		85	20		5,70
91421604		4	P/1		80	103		111	30,5		7,00
91421605		5	P/1		96	103		136	40		8,30
180	91421801	1	D	76	50	123	16	34	16		3,10
	91421802	2	D	80	60	123	16	59,5	0,5		3,90
	91421803	3	D/1	82	65	123	18	85	20		5,20
	91421804	4	D/1	82	80	123	20	111	30,5		6,18
	91421805	5	D/1	82	96	123	20	136	40		7,48
200	91422001	1	D	76	50	143	16	34	16		3,40
	91422002	2	D	80	60	143	16	59,5	0,5		4,80
	91422003	3	D/1	86	65	143	18	85	20		5,80
	91422004	4	D/1	90	90	143	25	111	20,5		6,70
	91422005	5	D/1	90	100	143	25	136	36		8,70
225	91422251	1	D	86	50	168	18	34	16		5,50
	91422252	2	D	88	60	168	18	59,5	0,5		6,90
	91422253	3	D/1	90	70	168	25	85	15		7,83
	91422254	4	D/1	90	90	168	25	111	20,5		9,33
	91422255	5	D/1	90	100	168	25	136	36		10,83
250	91422501	1	D	86	50	193	18	34	16		7,30
	91422502	2	D	92	60	193	18	59,5	0,5		8,60
	91422503	3	D/1	92	70	193	25	85	15		10,36
	91422504	4	D/1	100	90	193	25	111	20,5		12,86
	91422505	5	D/1	102	100	193	25	136	36		15,36
280	91422801	1	D	86	50	223	18	34	16		7,00
	91422802	2	D	92	60	223	18	59,5	0,5		9,60
	91422803	3	D/1	92	70	223	25	85	15		12,0
	91422804	4	D/1	100	90	223	25	111	10,5		13,9
	91422805	5	D/1	102	100	223	25	136	36		15,2
300	91423001	1	D	86	50	243	20	34	16		7,50
	91423002	2	D	92	60	243	20	59,5	0,5		8,90
	91423003	3	D/1	92	70	243	25	85	15		9,80
	91423004	4	D/1	100	90	243	25	111	20,5		10,7
	91423005	5	D/1	104	100	243	25	136	36		11,24

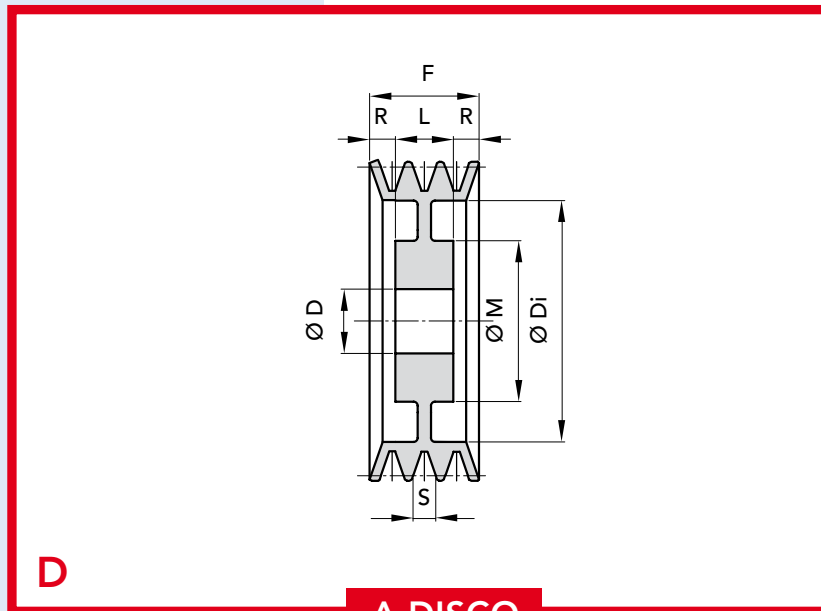
 MATERIALE **GHISA**

 Disegni CAD disponibili sul sito  
[www.chiaravalli.com](http://www.chiaravalli.com)

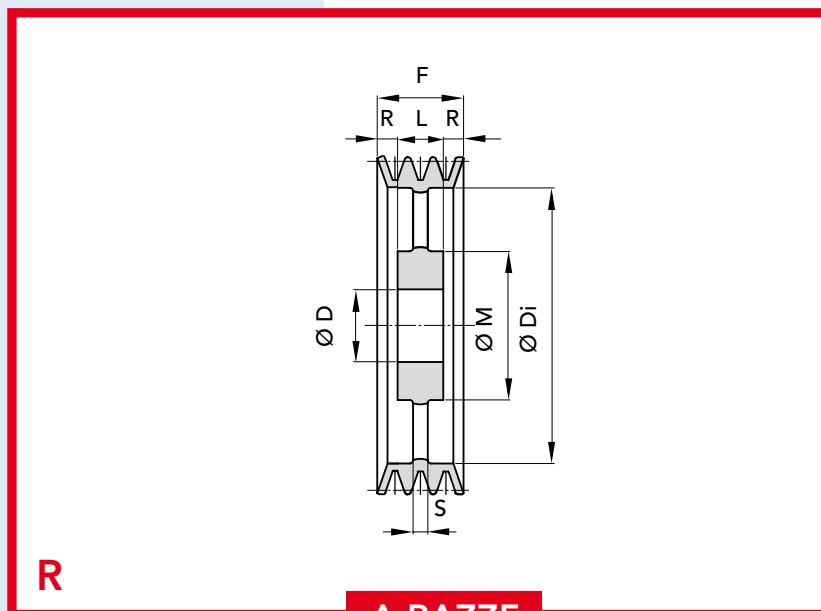
 Quantità, disponibilità e prezzi  
 con B2B Chiaravalli



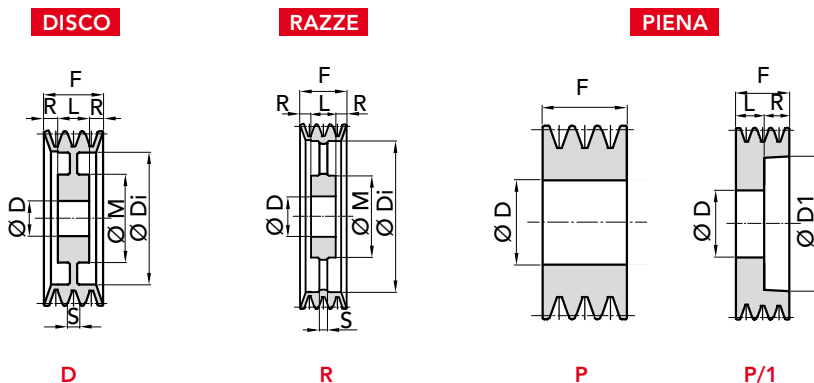
**PIENA**



**A DISCO**



**A RAZZE**


**PER CALETTATORI**
**SEZIONE SPA**


Dp	CODICE Ø 55 H8	CODICE Ø 65 H8	CODICE Ø 80 H8	N° GOLE	FORMA	F	L	Ø M	R	Ø Di	S	PESO Kg.
90	91250902			2	P	35						0,20
	91250903			3	P	50						1,10
	91250905			5	P	80						2,00
95	91250952			2	P	35						0,85
100	91251001			1	P	20						0,50
	91251002	91261002		2	P	35						0,90
	91251003			3	P	50						1,30
105	91251052			2	P	35						0,95
120	91251202			2	P/1	35	27		8	88		1,00
125		91261252		2	P/1	35	27		8	92		1,00
		91261253		3	P/1	50	27		23	92		1,80
		91261254		4	P/1	65	27		38	92		2,40
130		91261303		3	P/1	50	27		23	97		1,75
140		91261403		4	P/1	65	27		38	107		1,50
150	91251502			2	P/1	35	27		8	117		1,35
		91261504		4	P/1	65	27		38	117		2,15
160	91251602	91261602		2	P/1	35	27		8	127		1,50
		91261603		3	P/1	50	27		23	127		1,90
170	91251702			2	D	35	27		4	137	27	1,60
180	91251802	91261802		2	D	35	27		4	147	27	1,70
	91251803	91271803		3	D	50	27		11,5	147	27	2,40
190		91261902		2	D	35	27	120	4	157	12	1,80
		91261903		3	D	50	27	120	11,5	157	12	2,50
200	91252002	91262002		2	D	35	27	120	4	167	12	1,90
		91262003		3	D	50	27	120	11,5	167	14	2,60
		91262004		4	D	65	27	120	19	167	14	3,30
225	91252252	91262252		2	D	35	27	120	4	192	12	2,20
		91262253		3	D	50	27	120	11,5	192	14	2,80
250	91252502			2	R	35	27	130	4	217	14	2,80
			91282503	3	R	50	27	130	11,5	217	14	3,50
		91262504		4	R	65	27	130	19	217	14	4,20
300			91283004	4	R	65	27	130	19	267	14	3,40

**MATERIALE GHISA**

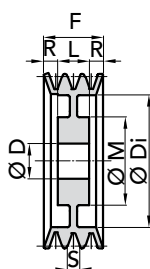
 Disegni CAD disponibili sul sito  
[www.chiaravalli.com](http://www.chiaravalli.com)
**Quantità, disponibilità e prezzi  
 con B2B Chiaravalli**



PER CALETTATORI

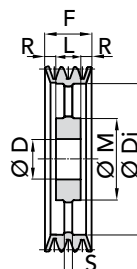
SEZIONE **SPB**

DISCO



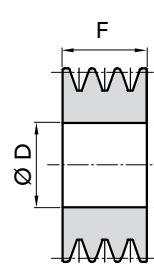
D

RAZZE

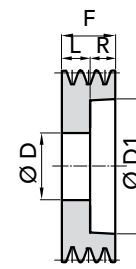


R

PIENA



P



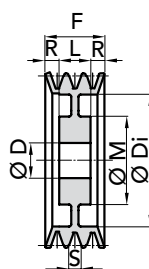
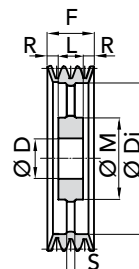
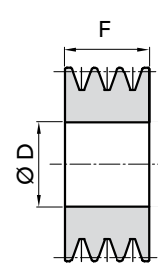
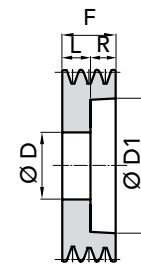
P/1

Dp	CODICE Ø 55 H8	CODICE Ø 65 H8	CODICE Ø 80 H8	N° GOLE	FORMA	F	L	Ø M	R	Ø Di	S	PESO Kg.
112	91351121			1	P	25						1,50
	91351122			2	P/1	44	27		17	70		1,90
120		91361202		2	P/1	44	27		17	78		2,10
		91361203		3	P/1	63	27		36	78		3,80
		91361204		4	P/1	82	27		55	78		4,20
125	91351251			1	P	25						1,90
		91371252		2	P/1	44	27		17	83		2,40
		91361253		3	P/1	63	27		36	83		4,00
130		91361302	91381302	2	P/1	44	27		17	90		2,60
		91361303	91381303	3	P/1	63	27		36	90		4,20
		91361304	91381304	4	P/1	82	27		55	90		5,00
			91381305	5	P/1	101	27		74	90		5,50
			91381306	6	P/1	120	27		93	90		6,00
140	91351402	91361402	91381402	2	P/1	44	27		17	98		2,90
		91361403	91381403	3	P/1	63	27		36	98		4,40
		91361404	91381404	4	P/1	82	27		55	98		5,30
			91381405	5	P/1	101	27		74	98		5,80
150	91351501	91361501		1	P	25						2,40
	91351502	91361502	91381502	2	P/1	44	27		17	108		3,20
		91361503	91381503	3	P/1	63	27		36	108		4,60
		91361504	91381504	4	P/1	82	27		55	108		5,50
			91381505	5	P/1	101	27		74	108		6,00
160	91351601	91361601		1	P	25						2,50
		91361602	91381602	2	P/1	44	27		17	118		3,30
		91361603	91381603	3	P/1	63	27		36	118		4,80
			91381604	4	P/1	82	27		55	118		5,70
			91381605	5	P/1	101	27		74	118		7,00
			91381606	6	P/1	120	27		93	118		8,30
170			91381702	2	D	44	27		8,5	128	27	3,40
		91361703	91381703	3	D	63	27		18	128	27	5,10
			91381704	4	D	82	27		27,5	128	27	5,90
			91381705	5	D	101	27		37	128	27	7,40
180				1	P	25						3,10
		91361802	91381802	2	D	44	27		8,5	138	27	3,90
		91361803	91381803	3	D	63	27		18	138	27	5,20
		91361804	91381804	4	D	82	27		27,5	138	27	6,20
			91381805	5	D	101	27		37	138	27	7,50
			91381806	6	D	120	27		46,5	138	27	8,90

MATERIALE **GHISA**

Disegni CAD disponibili sul sito  
[www.chiaravalli.com](http://www.chiaravalli.com)

Quantità, disponibilità e prezzi  
con B2B Chiaravalli


**PER CALETTATORI**
**SEZIONE SPB**
**DISCO**

**D**
**RAZZE**

**R**
**PIENA**

**P**

**P/1**

Dp	CODICE Ø 55 H8	CODICE Ø 65 H8	CODICE Ø 80 H8	N° GOLE	FORMA	F	L	Ø M	R	Ø Di	S	PESO Kg.
190		91361901	91381902	1	P	25						3,50
			91381903	2	D	44	27		8,5	148	27	6,50
			91381904	3	D	63	27		18	148	27	7,00
			91381905	4	D	82	27		27,5	148	27	8,00
				5	D	101	27		37	148	27	9,00
200		91362001	91382001	1	P	25						4,00
			91382002	2	D	44	27	120	8,5	158	15	7,00
			91382003	3	D	63	27	120	18	158	15	8,00
			91382004	4	D	82	27	120	27,5	158	15	9,00
			91382005	5	D	101	27	120	37	158	15	10,0
			91382006	6	D	120	27	120	46,5	158	18	11,0
212		91362122	91382122	2	D	44	27	120	8,5	170	15	7,00
			91382123	3	D	63	27	120	18	170	15	8,50
			91382124	4	D	82	27	120	27,5	170	15	10,0
			91382125	5	D	101	27	120	37	170	15	11,0
225	91352253	91372252	91382252	2	D	44	27	120	8,5	183	15	7,70
			91382253	3	D	63	27	120	18	183	15	9,00
			91382254	4	D	82	27	120	27,5	183	15	10,5
			91382255	5	D	101	27	120	37	183	15	11,5
			91382256	6	D	120	27	120	46,5	183	18	13,0
240			91382403	3	D	63	27	120	18	198	16	11,0
250	91352501	91372502	91382502	1	D	25	25	130		208	16	6,20
			91382503	2	D	44	27	130	8,5	208	16	8,50
			91382504	3	D	63	27	130	18	208	16	11,0
			91382505	4	D	82	27	130	27,5	208	16	12,0
			91382506	5	D	101	27	130	37	208	16	18,0
				6	D	120	27	130	46,5	208	18	22,0
280			91382802	1	D	25	25	120		238	16	6,50
			91382803	2	D	44	27	120	8,5	238	16	10,0
			91382804	3	D	63	27	120	18	238	16	12,5
			91382805	4	D	82	27	120	27,5	238	16	14,0
				5	D	101	27	130	37	238	16	21,0
300	91353001		91383004	1	R	25	25	130		258	15	7,00
			91383005	4	R	82	27	130	27,5	258	20	16,0
				5	R	101	27	130	37	258	22	19,0
315		91363153	91383154	3	R	63	27	130	18	273	18	14,0
			91383155	4	R	82	27	130	27,5	273	20	20,0
				5	R	101	27	130	37	273	22	22,0
355	91353551			1	R	25	25	130		308	16	16,0

**MATERIALE GHISA**

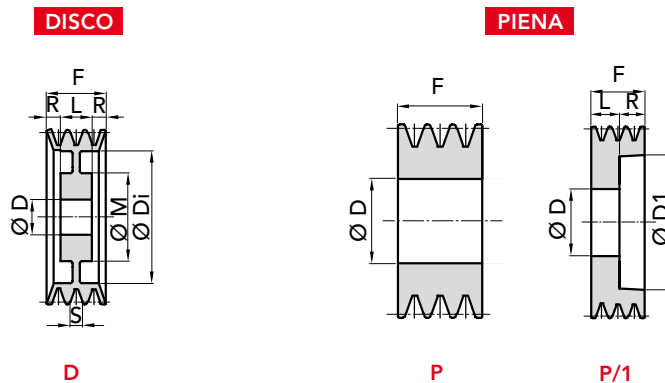
 Disegni CAD disponibili sul sito  
[www.chiaravalli.com](http://www.chiaravalli.com)
**Quantità, disponibilità e prezzi  
 con B2B Chiaravalli**





## PER CALETTATORI

### SEZIONE **SPC**

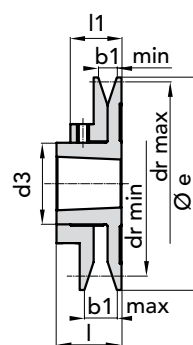


Dp	CODICE Ø 55 H8	CODICE Ø 65 H8	CODICE Ø 80 H8	N° GOLE	FORMA	F	L	Ø M	R	Ø Di	S	PESO Kg.
160			91481603	3	P/1	85	27		58	103		5,70
190			91481903	3	P/1	85	27		58	133		6,50
225			91482253	3	D	85	27	120	29	168	25	8,50

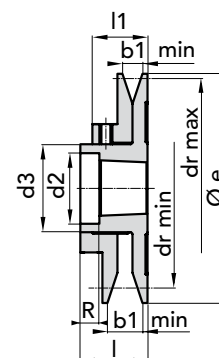
MATERIALE **GHISA**

Disegni CAD disponibili sul sito  
[www.chiaravalli.com](http://www.chiaravalli.com)

Quantità, disponibilità e prezzi  
con B2B Chiaravalli



ESECUZIONE 1



ESECUZIONE 2

Tipo PULEGGIA	CODICE	ESEC.	N° Gole	Bussola	Ø e	l	l1	b1		dr		d2	d3	R	Grani DIN 916 UNI 5929	Sezione CINGHIA	Peso Kg.
								min	max	min	max						
PRB - 93	90000931	2	1	1108	93	36,5	29	13	20,5	57 59	78 85	46	M60x2	13,5	No.4 M6x6	Z 10x6 A 13x8	0,86
PRB - 108	90001081	1	1	1215	108	38	30,5	13	20,5	68 70 75 76	92 100 93 102	-	M72x2	-	No.4 M6x6	Z 10x6 A 13x8 SPZ SPA	1,18
PRB - 120	90001201	1	1	1215	120	38	30,5	13	20,5	80 82 87 88	104 112 105 114	-	M72x2	-	No.4 M6x6	Z 10x6 A 13x8 SPZ SPA	1,46
PRB - 138	90001381	1	1	1615	138	38	30,5	13	20,5	98 100 105 106	122 130 123 132	-	M85x2	-	No.4 M6x6	Z 10x6 A 13x8 SPZ SPA	2,00
PRB - 160	90001601	2	1	1615	160	45	35,5	17	26,5	108 112 114 117	138 150 140 153	69	M85x2	6,5	No.4 M8x8	A 13x8 B 17x11 SPA SPB	3,04
PRB - 180	90001801	2	1	2012	180	45	35,5	17	26,5	128 132 134 137	158 170 160 173	87	M110x2	12,5	No.4 M8x8	A 13x8 B 17x11 SPA SPB	3,80
PRB - 200	90002001	2	1	2012	200	45	35,5	17	26,5	149 152 155 159	177 190 179 193	87	M110x2	12,5	No.4 M8x8	A 13x8 B 17x11 SPA SPB	4,75

MATERIALE **GHISA G20**  
**UNI 5007**

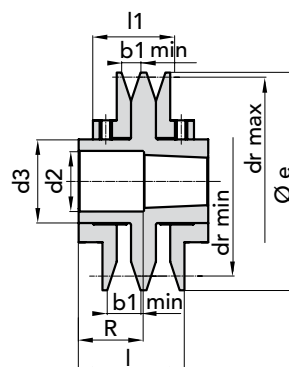
Disegni CAD disponibili sul sito  
[www.chiaravalli.com](http://www.chiaravalli.com)

Quantità, disponibilità e prezzi  
con B2B Chiaravalli



# PULEGGE A GOLA TRAPEZOIDALI REGOLABILI TIPO PRB

35



ESECUZIONE 3

Tipo PULEGGIA	CODICE	ESEC.	N° Gole	Bussola	Ø e	l	l1	b1		dr		d2	d3	R	Grani DIN 916 UNI 5929	Sezione CINGHIA	Peso Kg.
								min	max	min	max						
PRB2 - 108	90001082	3	2	1215	108	73	58	13	20,5	68 70 75 76	92 100 93 102	57	M72x2	34,5	No. 8 M6x6	Z 10x6 A 13x8 SPZ SPA	2,40
PRB2 - 120	90001202	3	2	1215	120	73	58	13	20,5	80 82 87 88	104 112 105 114	57	M72x2	34,5	No. 8 M6x6	Z 10x6 A 13x8 SPZ SPA	2,65
PRB2 - 138	90001382	3	2	1615	138	73	58	13	20,5	98 100 105 106	122 130 123 132	69	M85x2	34,5	No. 8 M6x6	Z 10x6 A 13x8 SPZ SPA	3,60
PRB2 - 160	90001602	3	2	1615	160	87	68	17	26,5	108 112 114 117	138 150 140 153	69	M85x2	48,5	No. 8 M8x8	A 13x8 B 17x11 SPA SPB	5,60
PRB2 - 180	90001802	3	2	2012	180	87	68	17	26,5	128 132 134 137	158 170 160 173	87	M110x2	54	No. 8 M8x8	A 13x8 B 17x11 SPA SPB	7,15
PRB2 - 200	90002002	3	2	2012	200	87	68	17	26,5	149 152 155 159	177 190 179 193	87	M110x2	54	No. 8 M8x8	A 13x8 B 17x11 SPA SPB	8,92

MATERIALE **GHISA G20**  
**UNI 5007**

Disegni CAD disponibili sul sito  
[www.chiaravalli.com](http://www.chiaravalli.com)

Quantità, disponibilità e prezzi  
con B2B Chiaravalli

PULEGGE A GOLA TRAPEZOIDALI REGOLABILI TIPO PRB



# PULEGGE A GOLA TRAPEZOIDALI SCANALATE MICRO-V TAPER LOCK®

## TIPI

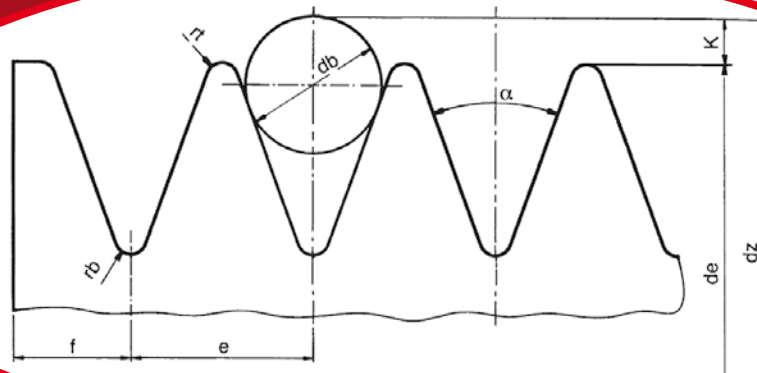
Le pulegge scanalate per trasmissioni industriali vengono contraddistinte, in rapporto alle dimensioni ed al passo della scanalatura nei seguenti tipi: **PPV-J – PPV-L**

## DIMENSIONI DEL PROFILO

Le dimensioni del profilo trasversale di una puleggia scanalata sono indicate in figura e in prospetto.

Per cinghia scanalata si intende una cinghia piatta chiusa ad anello con scanalature longitudinali nella parte interna.

La parte piatta costituisce l'elemento resistente e le nervature longitudinali assicurano una adeguata presa per mezzo del loro inserimento nelle scanalature di cui sono provviste le pulegge corrispondenti.



## PROSPETTO

TIPO	PPV-J	PPV-L
Passo delle scanalature e	2.34	4.70
Tolleranze su e*	± 0.03	± 0.05
Somma delle tolleranze su e*	± 0.30	± 0.30
Angolo della gola α** ± 0.5	40°	40°
rt min.	0.20	0.40
rb max	0.40	0.40
Diametro della sfera o del rullo di controllo db ± 0.01	1.50	3.50
2K** nominale	0.23	2.36
f min.	1.8	3.3

\* = Questa tolleranza si applica alla distanza fra gli assi di due scanalature consecutive.

\*\* = La somma di tutte le tolleranze di e per tutte le gole di ogni puleggia non deve superare il valore previsto nel prospetto.

\* = L'asse di ogni scanalatura deve formare un angolo di 90° ± 0.5° con l'asse della puleggia.

\*\* = K non è in relazione con il diametro nominale della puleggia ma è misurata dalla posizione assunta dalla sfera o dal rullino di misura.



# PULEGGE A GOLA TRAPEZOIDALI SCANALATE MICRO-V TAPER LOCK®

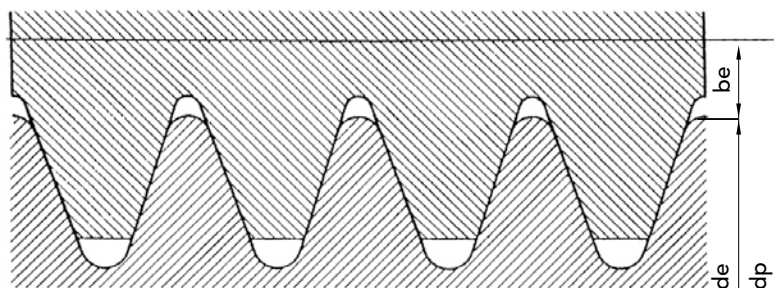
## DIAMETRO PRIMITIVO

E' rappresentata in sezione la posizione di una cinghia scanalata a contatto della corrispondente puleggia.

Il diametro primitivo reale  $dp$  di una puleggia scanalata misurato sulla cinghia è leggermente superiore al diametro effettivo  $de$  ed il suo esatto valore dipende dalla cinghia che viene usata.

A titolo indicativo nel prospetto viene riportato il valore  $be$  normalmente usato per il calcolo del rapporto di trasmissione.

Nella pratica corrente è sufficiente l'uso del diametro  $de$  effettivo per il calcolo del rapporto di trasmissione.



$$dp \approx de + 2be$$

TIPO	PPV-J	PPV-L
2 be	2	5

## DESIGNAZIONE

La designazione comprende, nell'ordine, la denominazione "puleggia", il riferimento della presente norma, il numero di scanalature, il tipo ed il diametro effettivo in millimetri.

Esempio di designazione di una puleggia scanalata per trasmissioni industriali tipo PPV-J avente 8 scanalature e diametro effettivo di 200 mm  
**8 PPV-J 200**

## GRADO DI FINITURA DELLE GOLE DELLE SCANALATURE

La rugosità della superficie delle gole deve essere di Ra 3.2 secondo ISO 254.

## MATERIALI

Le pulegge sono realizzate in GHISA G20 UNI 5007

## EQUILIBRATURA

UNI 4218 – ISO 1940

Le pulegge predisposte per bussola conica sono equilibrate staticamente entro il grado G.6.3.

Su richiesta è possibile realizzare l'equilibratura dinamica.

L'equilibratura dinamica è indispensabile per le velocità superiori ai 30 m/s.





# PULEGGE A GOLA TRAPEZOIDALI SCANALATE MICRO-V TAPER LOCK®

## DETERMINAZIONE DELLA POTENZA DI PROGETTO

Nota la potenza nominale da trasmettere P (kw) (solitamente la potenza nominale del motore elettrico) scegliere il fattore di servizio Co in base alla tabella e calcolare la potenza di progetto Pc (kw) nel modo seguente:  $P_c = C_o \times P$

### Fattore di servizio (Co)

## TIPO DI MOTORE

### CLASSE A

- Motore a corrente alternata sincrono e asincrono a gabbia di scoiattolo a coppia normale.
- Motore a corrente continua avvolgimento in derivazione.
- Motore a combustione interna (regime  $\geq 700$  r.p.m.)
- Turbine

### CLASSE B

- Motore a corrente alternata asincrono a gabbia di scoiattolo a coppia normale.
- Motore a corrente continua avvolgimento compound.
- Motore a combustione interna (regime  $< 700$  giri/min.)
- Frizioni

### TIPO DI MACCHINA CONDOTTA

- Agitatori per liquidi · Soffiatori · Aspiratori
- Ventilatori centrifughi · Trasportatori leggeri
- Agitatori per prodotti pastosi · Miscelatori · Generatori
- Macchine per lavanderia · Macchine utensili
- Compressori rotativi · Pompe rotative · Setacci
- Trasportatori pesanti · Sistema di spruzzaggio · Dinamo
- Macchine per panetteria · Macchine tipografiche
- Macchine per la lavorazione del legno · Ventilatori assiali
- Macchina produzione mattoni
- Compressori a pistoni · Pompe a pistoni · Frantoi · Elevatori a tazze · Elevatori · Macchine per la carta · Mulini · Paranchi
- Rettifiche · Frantumatori · Sistemi di drenaggio
- Calandre ed estrusori per gomma e materie plastiche

### Motore Classe A

### Motore Classe B

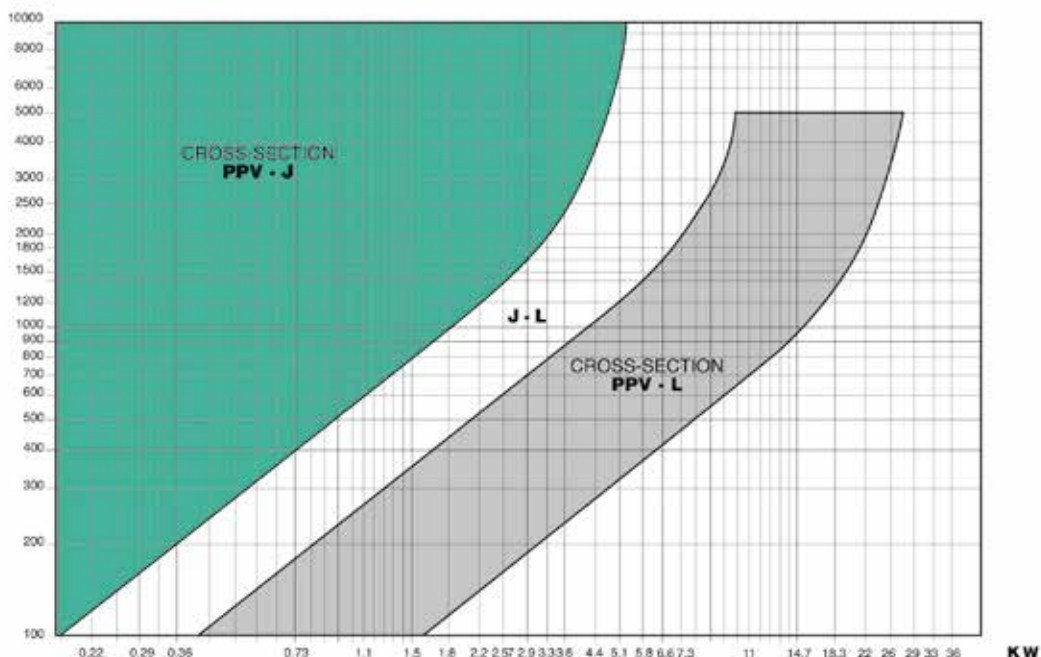
Ore di servizio giornaliere

	Motore Classe A			Motore Classe B		
	<10	10÷16	>16	<10	<10÷16	>16
· Agitatori per liquidi · Soffiatori · Aspiratori · Ventilatori centrifughi · Trasportatori leggeri	1	1.1	1.2	1.1	1.2	1.3
· Agitatori per prodotti pastosi · Miscelatori · Generatori · Macchine per lavanderia · Macchine utensili	1.1	1.2	1.3	1.2	1.3	1.4
· Compressori rotativi · Pompe rotative · Setacci · Trasportatori pesanti · Sistema di spruzzaggio · Dinamo · Macchine per panetteria · Macchine tipografiche · Macchine per la lavorazione del legno · Ventilatori assiali · Macchina produzione mattoni	1.2	1.3	1.4	1.3	1.4	1.5
· Compressori a pistoni · Pompe a pistoni · Frantoi · Elevatori a tazze · Elevatori · Macchine per la carta · Mulini · Paranchi	1.4	1.5	1.6	1.5	1.6	1.8
· Rettifiche · Frantumatori · Sistemi di drenaggio · Calandre ed estrusori per gomma e materie plastiche	1.6	1.7	1.8	1.7	1.8	2

## SCelta DELLA SEZIONE

N° giri/1' puleggia minore.

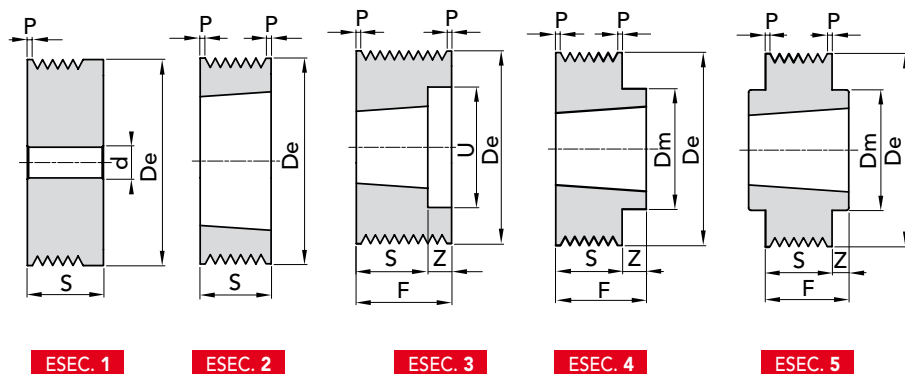
Il tipo di sezione viene scelto utilizzando il diagramma sotto riportato





## SEZIONE PPV-J

N° Gole	F±0.1	P
8	23	3.31
12	32.5	3.38
16	42	3.45

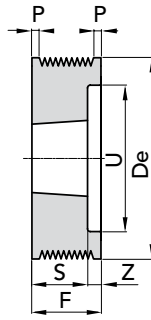


De	CODICE	ESEC.	N° GOLE	Bussola	S	Z	Dm	U	d	Peso Kg.
40	48108040	1	8	-	32	-	-	-	12	0,24
	48112040	1	12	-	41,5	-	-	-	12	0,31
	48116040	1	16	-	51	-	-	-	12	0,38
45	48108045	1	8	-	32	-	-	-	12	0,32
	48112045	1	12	-	41,5	-	-	-	12	0,41
	48116045	1	16	-	51	-	-	-	12	0,50
50	48108050	1	8	-	32	-	-	-	12	0,40
	48112050	1	12	-	41,5	-	-	-	12	0,52
	48116050	1	16	-	51	-	-	-	12	0,63
56	48108056	2	8	1108	23	-	-	-	-	0,39
	48112056	3	12	1108	32,5	9,5	-	40	-	0,65
	48116056	1	16	-	51	-	-	-	12	0,81
63	48108063	2	8	1108	23	-	-	-	-	0,50
	48112063	3	12	1108	23	9,5	-	46	-	0,39
	48116063	1	16	-	51	-	-	-	12	1,05
71	48108071	2	8	1108	23	-	-	-	-	0,64
	48112071	3	12	1108	23	9,5	-	46	-	0,57
	48116071	2	16	1215	42	-	-	55	-	0,63
75	48108075	2	8	1108	23	-	-	-	-	0,72
	48112075	3	12	1610	26	6,5	-	60	-	0,38
	48116075	3	16	1610	26	16	-	60	-	0,46
80	48108080	4	8	1610	26	3	70	-	-	0,41
	48112080	3	12	1610	26	6,5	-	60	-	0,52
	48116080	3	16	1610	26	16	-	60	-	0,64
85	48108085	4	8	1610	26	3	70	-	-	0,51
	48112085	3	12	1610	26	6,5	-	60	-	0,66
	48116085	3	16	1610	26	16	-	60	-	0,84
90	48108090	4	8	1610	26	3	70	-	-	0,62
	48112090	3	12	1610	26	6,5	-	74	-	0,76
	48116090	3	16	1610	26	16	-	74	-	0,87
95	48108095	4	8	1610	26	3	82	-	-	0,78
	48112095	3	12	1610	26	6,5	-	74	-	0,93
	48116095	3	16	1610	26	16	-	74	-	1,08
100	48108100	4	8	1610	26	3	82	-	-	0,90
	48112100	3	12	1610	26	6,5	-	74	-	1,10
	48116100	3	16	1610	26	16	-	74	-	1,32

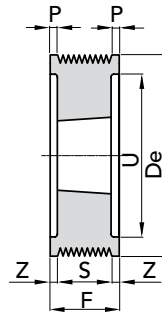
De	CODICE	ESEC.	N° GOLE	Bussola	S	Z	Dm	U	d	Peso Kg.
106	48108106	4	8	1610	26	3	82	-	-	1,05
	48112106	3	12	1610	26	6,5	-	88	-	1,24
	48116106	3	16	1610	26	16	-	88	-	1,40
112	48108112	4	8	1610	26	3	90	-	-	1,25
	48112112	3	12	1610	26	6,5	-	88	-	1,47
	48116112	3	16	1610	26	16	-	88	-	1,70
118	48108118	4	8	1610	26	3	90	-	-	1,43
	48112118	3	12	2012	32	0,5	-	98	-	1,55
	48116118	3	16	2012	32	10	-	98	-	1,79
125	48108125	4	8	1610	26	3	90	-	-	1,64
	48112125	3	12	2012	32	0,5	-	98	-	1,90
	48116125	3	16	2012	32	10	-	98	-	2,18
132	48108132	4	8	1610	26	3	90	-	-	1,88
	48112132	3	12	2012	32	0,5	-	98	-	2,21
	48116132	3	16	2012	32	10	-	98	-	2,60
140	48108140	4	8	1610	26	3	90	-	-	1,60
	48112140	4	12	2517	45	12,5	120	-	-	7,10
	48116140	4	16	2517	45	3	120	-	-	9,60
160	48108160	5	8	2012	32	4,5	110	-	-	3,01
	48112160	4	12	2517	45	12,5	120	-	-	3,80
	48116160	4	16	2517	45	3	120	-	-	4,37
180	48108180	5	8	2012	32	4,5	110	-	-	3,92
	48112180	5	12	2517	45	6,25	120	-	-	5,03
	48116180	5	16	2517	45	1,5	120	-	-	5,97
200	48108200	5	8	2012	32	4,5	110	-	-	4,88
	48112200	5	12	2517	45	6,25	120	-	-	6,40
	48116200	5	16	2517	45	1,5	120	-	-	7,75
224	48108224	5	8	2012	32	4,5	110	-	-	6,17
	48112224	5	12	2517	45	6,25	120	-	-	8,29
	48116224	5	16	2517	45	1,5	120	-	-	10,10
250	48108250	5	8	2012	32	4,5	110	-	-	7,73
	48112250	5	12	2517	45	6,25	120	-	-	1,05
	48116250	5	16	2517	45	1,5	120	-	-	1,30


 SEZIONE **PPV-L**

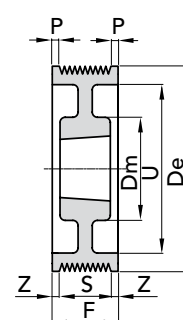
N° Gole	F±0.1	P
8	48	7.55
12	67	7.65
16	86	7.75



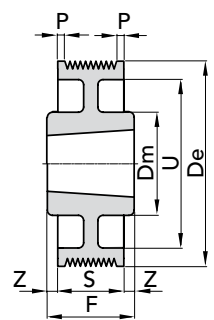
ESEC. 3



ESEC. 6



ESEC. 7



ESEC. 8

De	CODICE	ESEC. N°	N° GOLE	Bussola	S	Z	Dm	U	Peso Kg.	De	CODICE	ESEC. N°	N° GOLE	Bussola	S	Z	Dm	U	Peso Kg.
75	48208075	3	8	1210	26	22	-	56	0,66	140	48208140	3	8	2517	45	3	82	116	3,02
	48212075	3	12	1215	42	25	-	56	0,97		48212140	6	12	2517	45	11	-	116	3,55
80	48208080	3	8	1210	26	22	-	56	0,86	150	48216140	6	16	2517	45	20,5	-	116	4,05
	48212080	3	12	1215	42	25	-	56	1,25		48208150	3	8	2517	45	3	-	126	3,75
85	48212150	6	12	2517	45	11	-	126	4,30	160	48216150	6	16	2517	45	20,5	-	126	4,85
	48208085	3	8	1210	26	22	-	61	1,00		48208160	3	8	2517	45	3	-	136	4,54
	48212085	3	12	1215	42	25	-	61	1,47		48212160	6	12	2517	45	11	-	136	5,12
90	48216085	6	16	1215	42	22	-	61	1,76	170	48216160	6	16	3020	52	17	-	136	4,88
	48208090	3	8	1610	26	22	-	66	1,01		48208170	3	8	2517	45	3	-	146	5,35
	48212090	3	12	1615	42	25	-	66	1,45		48212170	6	12	2517	45	11	-	146	6,03
95	48216090	6	16	1615	42	22	-	66	1,78	180	48216170	6	16	3020	52	17	-	146	5,96
	48208095	3	8	1610	26	22	-	71	1,16		48208180	7	8	2517	45	1,5	120	156	4,52
	48212095	3	12	1615	42	25	-	71	1,71		48212180	7	12	2517	45	11	120	156	5,34
100	48216095	6	16	1615	42	22	-	71	2,02	200	48216180	6	16	3020	52	17	-	156	7,09
	48208100	3	8	1610	26	22	-	76	1,31		48208200	7	8	2517	45	1,5	120	176	5,07
	48212100	3	12	2012	32	35	-	79	1,39		48212200	7	12	3020	52	7,5	146	176	6,99
106	48216100	6	16	2012	32	27	-	79	1,69	224	48216200	7	16	3020	52	17	146	176	7,92
	48208106	3	8	1610	26	22	-	82	1,53		48208224	7	8	2517	45	1,5	120	202	9,77
	48212106	3	12	2012	32	35	-	82	1,76		48212224	7	12	3020	52	7,5	146	202	11,0
112	48216106	6	16	2012	32	27	-	82	2,12	250	48216224	7	16	3020	52	17	146	202	14,12
	48208112	3	8	1610	26	22	-	88	1,75		48208250	8	8	3020	52	2	146	228	13,12
	48212112	3	12	2012	32	35	-	88	2,02		48212250	7	12	3020	52	7,5	146	228	15,60
118	48216112	6	16	2012	32	27	-	88	2,42	280	48216250	8	16	3535	89	1,5	178	228	16,13
	48208118	3	8	2012	32	16	-	94	1,88		48208280	8	8	3020	52	2	146	256	18,18
	48212118	6	12	2517	45	11	-	97	1,96		48212280	7	12	3020	52	7,5	146	256	21,75
125	48216118	6	16	2517	45	20,5	-	97	2,31	315	48216280	8	16	3535	89	1,5	178	256	24,45
	48208125	3	8	2012	32	16	-	101	2,22		48208315	8	8	3020	52	2	146	285	24,82
	48212125	6	12	2517	45	11	-	101	2,46		48212315	8	12	3535	89	11	178	285	42,64
132	48216125	6	16	2517	45	20,5	-	101	2,92		48216315	8	16	3535	89	1,5	178	285	35,34
	48208132	3	8	2012	32	16	-	108	2,54										
	48212132	6	12	2517	45	11	-	108	2,97										
	48216132	6	16	2517	45	20,5	-	108	3,44										



# PRODUZIONE COMPONENTI SPECIALI

*Produciamo ingranaggi e componenti meccanici di alta precisione.*

*Una vasta e variegata gamma di moderne macchine a CNC assicura capacità produttiva e qualità di elevato livello. Il personale Chiaravalli Group SpA altamente specializzato e con grande spirito di*

*appartenenza all'azienda, opera avvalendosi delle più moderne tecnologie CAE e CAD-CAM.*

*La produzione è certificata e garantita attraverso l'utilizzo di macchine tridimensionali di misura di elevata precisione.*

***Chiaravalli Group SpA partner tecnologico per produzioni di alta qualità.***







# MARTINETTI

# MECCANICI

*La nuova linea di prodotto Martinetti Meccanici denominata CHT (Chiaravalli High Tech) si integra e completa la gamma degli articoli destinati alla Trasmissione Meccanica.*

*La nuova linea di prodotti è realizzata utilizzando materiali di alta qualità, lavorati con precisioni assolute, usufruendo del moderno parco macchine di aziende appartenenti alla Chiaravalli Group SpA.*

*Gli elementi base che compongono il prodotto finale Martinetto sono realizzati in grandi serie, rigorosamente*

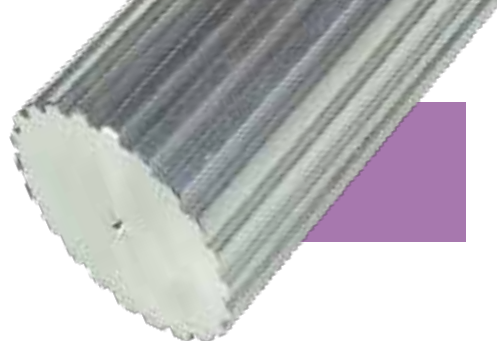
*controllati e posti a magazzino.*

*Uno speciale software realizzato dalla Chiaravalli Group SpA, permette ai nostri clienti di combinare omogeneamente i vari elementi e di realizzare, prima in versione virtuale, il martinetto richiesto e poi, in seconda fase, di ordinarlo con assoluta precisione.*

*L'impegno della Chiaravalli Group SpA è di garantire la consegna di questo prodotto in tempi ristrettissimi, con qualità e precisioni garantite.*







## BARRE DENTATE

BARRE DENTATE <b>POLY CHAIN GT</b> <sup>®</sup>	pag. 4
BARRE DENTATE <b>PER CINGHIE POSITIVE</b>	5
BARRE DENTATE <b>HTD</b> <sup>®</sup>	8
BARRE DENTATE <b>GT</b> <sup>®</sup>	10
BARRE DENTATE <b>PASSO METRICO "T"</b>	12
BARRE DENTATE <b>"CT" PASSO METRICO "AT"</b>	15

## FLANGE PER PULEGGE DENTATE

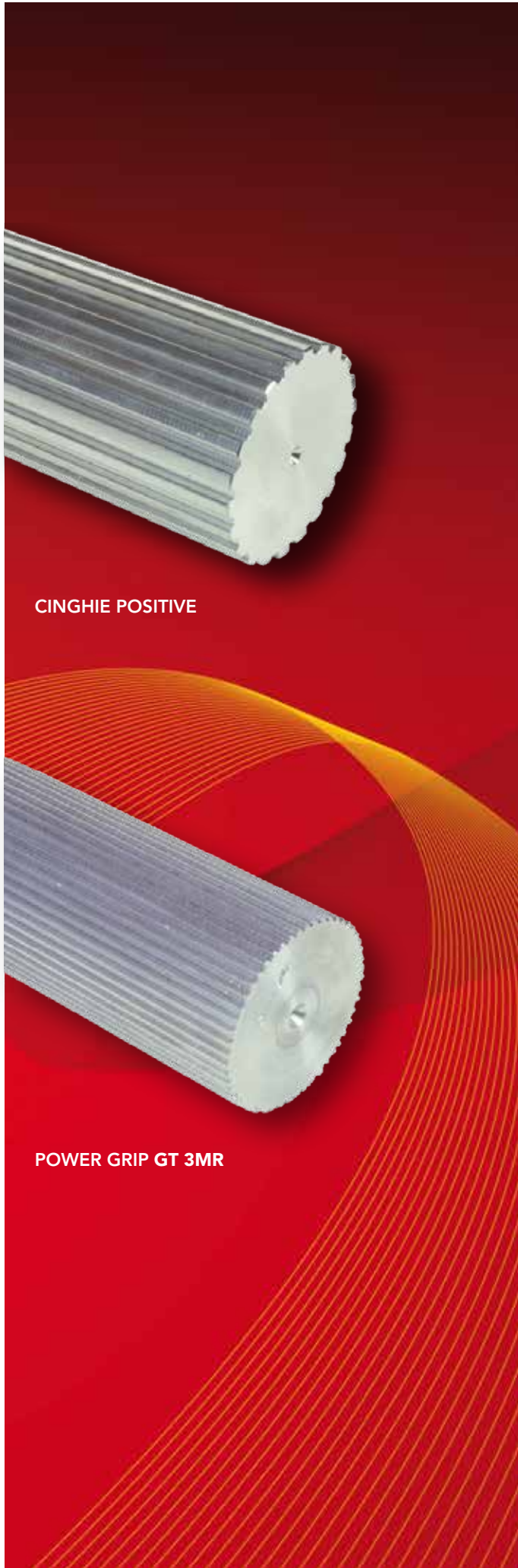
FLANGE PER PULEGGE	19
DIMENSIONI FLANGE	
Spessore <b>0,5 mm</b>	20
Spessore <b>1 mm</b>	20
Spessore <b>1,5 mm</b>	21
Spessore <b>2,5 mm</b>	21

## PIASTRE DI BLOCCAGGIO PER CINGHIE

PIASTRE PER CINGHIE <b>POWERGRIP</b> <sup>®</sup> <b>POSITIVE</b>	26
PIASTRE PER CINGHIE <b>POWERGRIP</b> <sup>®</sup> <b>HTD</b> <sup>®</sup>	27
PIASTRE PER CINGHIE <b>PASSO METRICO "T"</b>	28
PIASTRE PER CINGHIE <b>PASSO METRICO "AT"</b>	29



# BARRE DENTATE



CINGHIE POSITIVE

POWER GRIP GT 3MR



CINGHIE POSITIVE XL

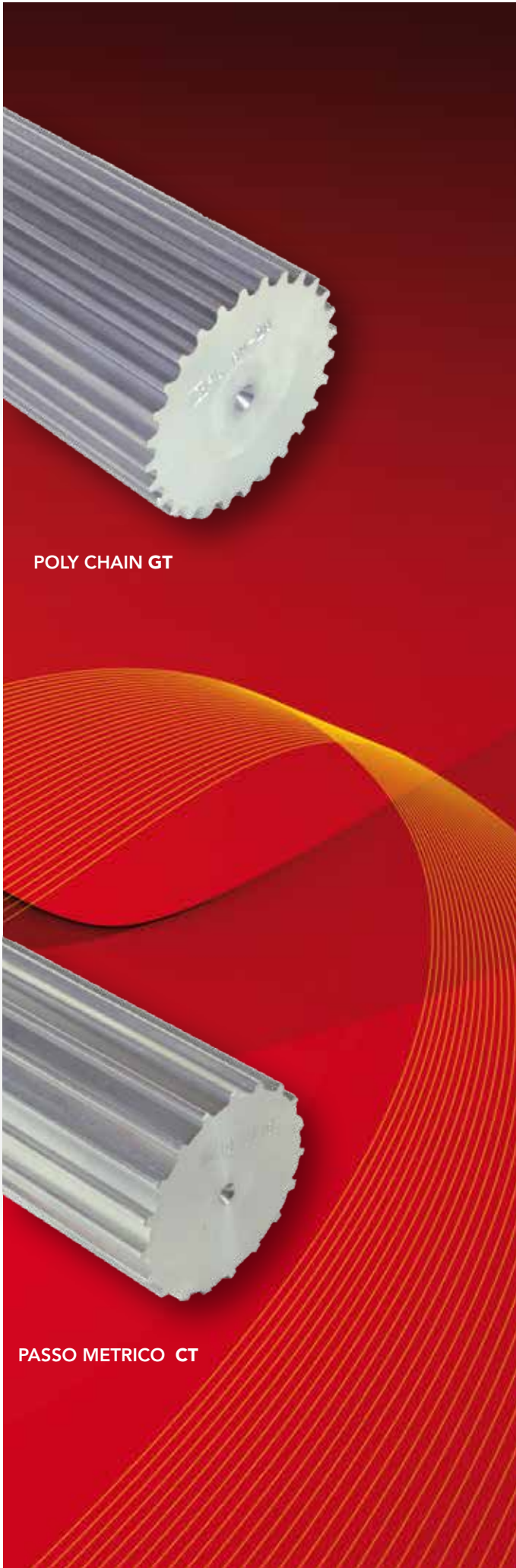


HTD



POWER GRIP GT 5MR





POLY CHAIN GT

PASSO METRICO CT



PASSO METRICO T



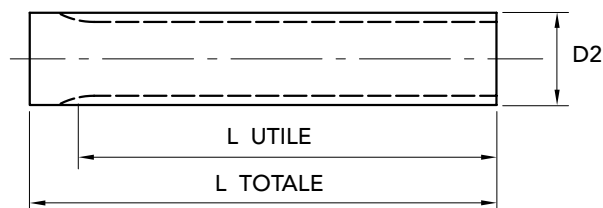






## XL 1/5" (5.08 mm)

Le barre passo **XL** vengono costruite in **Acciaio** e in **Alluminio** adatto per l'ossidazione dura a spessore.



TIPO	CODICE ACCIAIO	CODICE ALLUMINIO	N. DENTI	De ESTERNO	L UTILE	L TOTALE	PESO ACCIAIO Kg.	PESO ALLUMINIO Kg.
XL 10	42000010	42003010	10	15,66	125	140	0,07	0,84
XL 11	42000011	42003011	11	17,28	125	140	0,08	0,92
XL 12	42000012	42003012	12	18,90	125	140	0,10	1,20
XL 13	42000013	42003013	13	20,51	125	140	0,11	1,08
XL 14	42000014	42003014	14	22,13	132	140	0,13	1,12
XL 15	42000015	42003015	15	23,75	132	140	0,16	1,44
XL 16	42000016	42003016	16	25,36	140	140	0,18	1,27
XL 17	42000017	42003017	17	26,98	140	140	0,20	1,31
XL 18	42000018	42003018	18	28,60	140	140	0,23	1,51
XL 19	42000019	42003019	19	30,22	140	140	0,26	1,70
XL 20	42000020	42003020	20	31,83	140	140	0,28	1,60
XL 21	42000021	42003021	21	33,45	160	160	0,36	2,06
XL 22	42000022	42003022	22	35,07	160	160	0,40	2,12
XL 23	42000023	42003023	23	36,60	160	160	0,44	2,32
XL 24	42000024	42003024	24	38,30	160	160	0,48	2,41
XL 25	42000025	42003025	25	39,93	160	160	0,51	2,75
XL 26	42000026	42003026	26	41,53	160	160	0,56	2,79
XL 27	42000027	42003027	27	43,15	160	160	0,60	3,90
XL 28	42000028	42003028	28	44,77	160	160	0,65	3,41
XL 29	42000029	42003029	29	46,39	160	160	0,70	3,42
XL 30	42000030	42003030	30	48,00	160	160	0,75	3,78
XL 32	42000032	42003032	32	51,24	160	160	0,87	3,93
XL 33	42000033	42003033	33	52,76	160	160	0,92	4,00
XL 34	42000034	42003034	34	54,47	160	160	0,98	4,48
XL 35	42000035	42003035	35	56,09	160	160	1,04	4,50
XL 36	42000036	42003036	36	57,7	160	160	1,1	4,60
XL 38	42000038	42003038	38	60,94	160	160	1,23	5,15
XL 39	42000039	42003039	39	62,56	160	160	1,3	5,20
XL 40	42000040	42003040	40	64,17	160	160	1,37	5,75
XL 41	42000041	42003041	41	65,79	160	160	1,43	6,00
XL 42	42000042	42003042	42	67,41	160	160	1,51	6,10
XL 43	42000043	42003043	43	69,02	160	160	1,58	6,50
XL 44	42000044	42003044	44	70,64	160	160	1,65	6,60
XL 48	42000048	42003048	48	77,11	160	160	1,98	7,57
XL 56	42000056	42003056	56	90,04	160	160	2,71	10,66
XL 60	42000060	42003060	60	96,51	160	160	3,1	10,90
XL 72	42000072	42003072	72	115,92	160	160	4,52	15,20

MATERIALE **ACCIAIO C40  
UNI 7845**

**ALLUMINIO**

Disegni CAD disponibili sul sito  
[www.chiaravalli.com](http://www.chiaravalli.com)

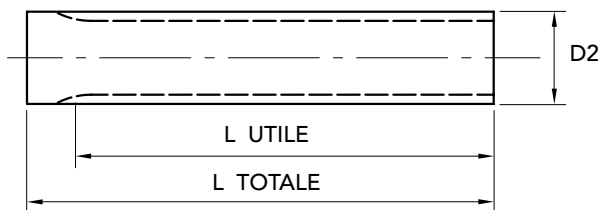
Quantità, disponibilità e prezzi  
con B2B Chiaravalli





## L 3/8" (9.525 mm)

Le barre passo **L** vengono costruite in **Acciaio** e in **Alluminio** adatto per l'ossidazione dura a spessore.



TIPO	CODICE ACCIAIO	CODICE ALLUMINIO	N. DENTI	De ESTERNO	L UTILE	L TOTALE	PESO ACCIAIO Kg.	PESO ALLUMINIO Kg.
L 10	42013010	42010010	10	29,56	140	140	0,66	0,23
L 11	42013011	42010011	11	32,59	140	140	0,81	0,28
L 12	42013012	42010012	12	35,62	160	160	1,12	0,39
L 13	42013013	42010013	13	38,65	160	160	1,32	0,46
L 14	42013014	42010014	14	41,68	160	160	1,57	0,55
L 15	42013015	42010015	15	44,72	160	160	1,81	0,63
L 16	42013016	42010016	16	47,75	160	160	2,08	0,73
L 17	42013017	42010017	17	50,78	160	160	2,34	0,82
L 18	42013018	42010018	18	53,81	160	160	2,64	0,93
L 19	42013019	42010019	19	56,84	160	160	2,96	1,04
L 20	42013020	42010020	20	59,88	160	160	3,32	1,16
L 21	42013021	42010021	21	62,91	160	160	3,67	1,28
L 22	42013022	42010022	22	65,94	160	160	4,07	1,41
L 23	42013023	42010023	23	68,97	160	160	4,44	1,55
L 24	42013024	42010024	24	72,00	160	160	4,86	1,69
L 27	42013027	42010027	27	81,10	160	160	6,20	2,15
L 30	42013030	42010030	30	90,20	160	160	7,72	2,67

BARRE DENTATE PER CINGHIE POSITIVE L 3/8" (9.525 mm)

MATERIALE **ACCIAIO C40  
UNI 7845**

**ALLUMINIO**

Disegni CAD disponibili sul sito  
[www.chiaravalli.com](http://www.chiaravalli.com)

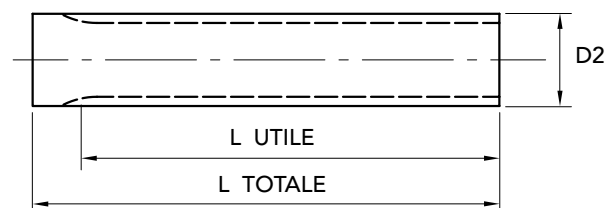
Quantità, disponibilità e prezzi  
con B2B Chiaravalli





## HTD® 5M (Passo 5 mm)

Materiale **Alluminio** adatto per l'ossidazione dura.

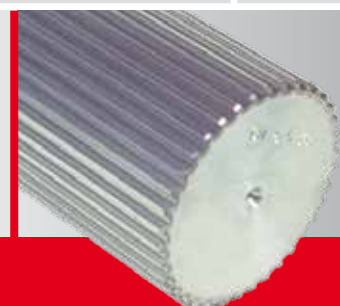


TIPO	CODICE	N. DENTI	Dp	De ESTERNO	L UTILE	L TOTALE	PESO Kg.
5M- 12	40200012	12	19,10	17,96	150	160	0,08
5M- 13	40200013	13	20,69	19,55	150	160	0,10
5M- 14	40200014	14	22,28	21,14	175	200	0,16
5M- 15	40200015	15	23,87	22,73	175	200	0,19
5M- 16	40200016	16	25,47	24,33	175	200	0,21
5M- 17	40200017	17	27,06	25,92	175	200	0,24
5M- 18	40200018	18	28,65	27,51	200	200	0,27
5M- 19	40200019	19	30,24	29,1	200	200	0,31
5M- 20	40200020	20	31,83	30,69	200	200	0,35
5M- 21	40200021	21	33,42	32,28	200	200	0,39
5M- 22	40200022	22	35,02	33,88	200	200	0,43
5M- 23	40200023	23	36,61	35,47	200	200	0,48
5M- 24	40200024	24	38,20	37,06	200	200	0,52
5M- 25	40200025	25	39,79	38,65	200	200	0,57
5M- 26	40200026	26	41,38	40,24	200	200	0,62
5M- 27	40200027	27	42,97	41,83	200	200	0,67
5M- 28	40200028	28	44,56	43,42	200	200	0,73
5M- 30	40200030	30	47,75	46,61	200	200	0,84
5M- 32	40200032	32	50,93	49,79	200	200	0,97
5M- 34	40200034	34	54,11	52,97	200	200	1,11
5M- 36	40200036	36	57,30	56,16	200	200	1,25
5M- 38	40200038	38	60,48	59,34	200	200	1,40
5M- 40	40200040	40	63,66	62,52	200	200	1,55
5M- 42	40200042	42	66,85	65,71	200	200	1,73
5M- 44	40200044	44	70,03	68,89	200	200	1,90
5M- 45	40200045	45	71,62	70,48	200	200	1,99
5M- 48	40200048	48	76,40	75,26	200	200	2,27
5M- 50	40200050	50	79,58	78,44	200	200	2,48
5M- 60	40200060	60	95,5	94,36	200	200	3,60
5M- 72	40200072	72	114,59	113,45	200	200	5,28

MATERIALE **ALLUMINIO**

Disegni CAD disponibili sul sito  
[www.chiaravalli.com](http://www.chiaravalli.com)

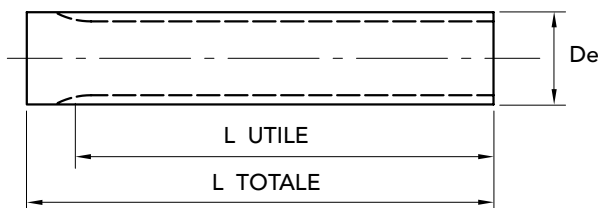
Quantità, disponibilità e prezzi  
 con B2B Chiaravalli





# BARRE DENTATE HTD® 8M

## HTD® 8M (Passo 8 mm)



TIPO	CODICE	N. DENTI	De PRIMITIVO	De ESTERNO	L UTILE	L TOTALE	PESO Kg.
8M- 18	40400018	18	45,84	44,47	200	200	2,03
8M- 19	40400019	19	48,38	47,01	200	200	2,30
8M- 20	40400020	20	50,93	49,56	200	200	2,57
8M- 21	40400021	21	53,48	52,11	200	200	2,88
8M- 22	40400022	22	56,02	54,65	200	200	3,18
8M- 23	40400023	23	58,57	57,20	200	200	3,52
8M- 24	40400024	24	61,12	59,75	200	200	3,86
8M- 25	40400025	25	63,66	62,29	200	200	4,23
8M- 26	40400026	26	66,21	64,84	200	200	4,60
8M- 28	40400028	28	71,30	69,93	200	200	5,40
8M- 30	40400030	30	76,40	75,03	200	200	6,27
8M- 32	40400032	32	81,49	80,12	200	200	7,20
8M- 34	40400034	34	86,58	85,21	200	200	8,20
8M- 35	40400035	35	89,13	87,76	200	200	8,71
8M- 36	40400036	36	91,68	90,31	200	200	9,26
8M- 38	40400038	38	96,77	95,40	200	200	19,39
8M- 40	40400040	40	101,86	100,49	200	200	11,58
8M- 44	40400044	44	112,05	110,67	200	200	14,16
8M- 48	40400048	48	122,23	120,86	200	200	16,99

BARRE DENTATE HTD® 8M (passo 8 mm)

MATERIALE **ACCIAIO C45**  
**UNI 7845**



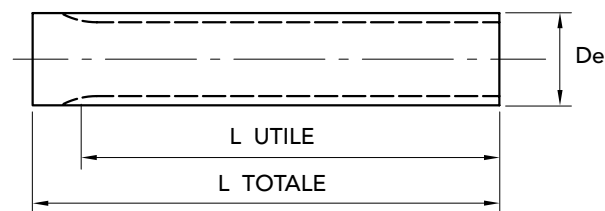
Disegni CAD disponibili sul sito  
[www.chiaravalli.com](http://www.chiaravalli.com)

Quantità, disponibilità e prezzi  
 con B2B Chiaravalli



### GT® 3MR

Le barre GT® 3MR vengono costruite solo in **Alluminio** adatto per l'ossidazione dura a spessore.



TIPO	CODICE	N. DENTI	Dp PRIMITIVO	De ESTERNO	L UTILE	L TOTALE	PESO Kg.
10-3MR	47030010	10	9,55	8,79	75	100	0,02
12-3MR	47030012	12	11,46	10,70	100	125	0,03
14-3MR	47030014	14	13,37	12,61	100	125	0,04
15-3MR	47030015	15	14,32	13,56	100	125	0,05
16-3MR	47030016	16	15,28	14,52	125	155	0,06
18-3MR	47030018	18	17,19	16,43	125	155	0,08
20-3MR	47030020	20	19,10	18,34	150	165	0,11
21-3MR	47030021	21	20,05	19,29	150	165	0,12
22-3MR	47030022	22	21,01	20,25	150	165	0,14
24-3MR	47030024	24	22,92	22,16	150	165	0,16
26-3MR	47030026	26	24,83	24,07	150	165	0,12
28-3MR	47030028	28	26,74	25,98	150	165	0,23
30-3MR	47030030	30	28,65	27,89	175	183	0,29
32-3MR	47030032	32	30,56	29,80	175	183	0,33
34-3MR	47030034	34	32,47	31,71	175	183	0,38
36-3MR	47030036	36	34,38	33,62	200	200	0,47
38-3MR	47030038	38	36,29	35,53	200	200	0,53
40-3MR	47030040	40	38,20	37,44	200	200	0,58
44-3MR	47030044	44	42,02	41,26	200	200	0,71
48-3MR	47030048	48	45,84	45,08	200	200	0,85
52-3MR	47030052	52	49,66	48,90	200	200	1,01
56-3MR	47030056	56	54,48	52,72	200	200	1,08
60-3MR	47030060	60	57,30	56,54	200	200	1,36
64-3MR	47030064	64	61,12	60,36	200	200	1,55
72-3MR	47030072	72	68,75	67,99	200	200	1,97

MATERIALE **ALLUMINIO**

Disegni CAD disponibili sul sito  
[www.chiaravalli.com](http://www.chiaravalli.com)

Quantità, disponibilità e prezzi  
con B2B Chiaravalli



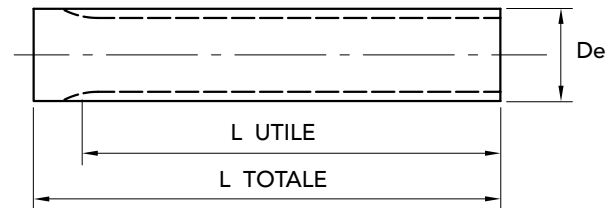






## T 2.5 (passo 2.5 mm)

Le barre passo T 2.5 vengono costruite solo in **Alluminio** adatto per l'ossidazione dura a spessore.



TIPO	CODICE	N. DENTI	De ESTERNO	L UTILE	L TOTALE	PESO Kg.
T 2,5- 10	45020010	10	7,45	50	75	0,01
T 2,5- 12	45020012	12	9,00	50	75	0,01
T 2,5- 13	45020013	13	9,80	50	75	0,02
T 2,5- 14	45020014	14	10,60	50	75	0,02
T 2,5- 15	45020015	15	11,40	50	75	0,02
T 2,5- 16	45020016	16	12,20	50	75	0,03
T 2,5- 17	45020017	17	13,00	50	75	0,03
T 2,5- 18	45020018	18	13,80	50	75	0,03
T 2,5- 19	45020019	19	14,60	90	120	0,05
T 2,5- 20	45020020	20	15,40	90	120	0,06
T 2,5- 21	45020021	21	16,20	90	120	0,06
T 2,5- 22	45020022	22	17,00	125	140	0,08
T 2,5- 24	45020024	24	18,55	125	140	0,09
T 2,5- 26	45020026	26	20,15	125	140	0,10
T 2,5- 27	45020027	27	20,95	125	140	0,12
T 2,5- 28	45020028	28	21,75	125	140	0,13
T 2,5- 29	45020029	29	22,55	125	140	0,14
T 2,5- 30	45020030	30	23,35	125	140	0,16
T 2,5- 32	45020032	32	24,95	125	140	0,18
T 2,5- 34	45020034	34	26,55	125	140	0,20
T 2,5- 35	45020035	35	27,35	132	140	0,20
T 2,5- 36	45020036	36	28,10	132	140	0,22
T 2,5- 38	45020038	38	29,70	140	140	0,25
T 2,5- 40	45020040	40	31,30	140	140	0,28
T 2,5- 42	45020042	42	32,90	140	140	0,31
T 2,5- 44	45020044	44	34,50	140	140	0,34
T 2,5- 45	45020045	45	35,30	140	140	0,36
T 2,5- 48	45020048	48	37,70	140	140	0,41
T 2,5- 50	45020050	50	39,29	160	160	0,51
T 2,5- 60	45020060	60	47,25	160	160	0,74
T 2,5- 65	45020065	65	51,20	160	160	0,90
T 2,5- 70	45020070	70	55,20	160	160	1,01
T 2,5- 72	45020072	72	56,80	160	160	1,07
T 2,5- 90	45020090	90	71,12	160	160	1,64
T 2,5- 100	45020100	100	79,08	160	160	2,09

MATERIALE **ALLUMINIO**

**A RICHIESTA** si costruiscono  
barre passo T 20

Disegni CAD disponibili sul sito  
[www.chiaravalli.com](http://www.chiaravalli.com)

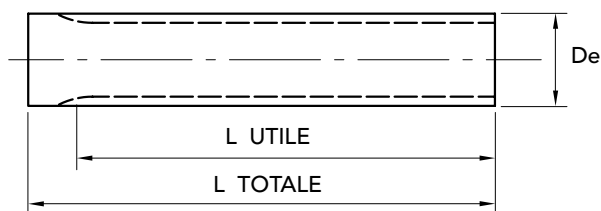
Quantità, disponibilità e prezzi  
con B2B Chiaravalli





## T 5 (passo 5 mm)

Le barre passo T5 vengono costruite solo in **Alluminio** adatto per l'ossidazione dura a spessore.



TIPO	CODICE	N. DENTI	De ESTERNO	L UTILE	L TOTALE	PESO Kg.
T 5- 10	45050010	10	15,05	125	140	0,07
T 5- 11	45050011	11	16,65	125	140	0,08
T 5- 12	45050012	12	18,25	125	140	0,10
T 5- 13	45050013	13	19,85	125	140	0,12
T 5- 14	45050014	14	21,45	140	140	0,13
T 5- 15	45050015	15	23,05	140	140	0,16
T 5- 16	45050016	16	24,60	140	140	0,18
T 5- 17	45050017	17	26,20	140	140	0,20
T 5- 18	45050018	18	27,00	140	140	0,22
T 5- 19	45050019	19	29,40	140	140	0,24
T 5- 20	45050020	20	31,00	160	160	0,31
T 5- 21	45050021	21	32,70	160	160	0,33
T 5- 22	45050022	22	34,15	160	160	0,36
T 5- 23	45050023	23	35,85	160	160	0,40
T 5- 24	45050024	24	37,40	160	160	0,44
T 5- 25	45050025	25	38,95	160	160	0,48
T 5- 26	45050026	26	40,60	160	160	0,53
T 5- 27	45050027	27	42,20	160	160	0,57
T 5- 28	45050028	28	43,75	160	160	0,61
T 5- 29	45050029	29	45,35	160	160	0,66
T 5- 30	45050030	30	46,95	160	160	0,69
T 5- 32	45050032	32	50,10	160	160	0,81
T 5- 34	45050034	34	53,25	160	160	0,91
T 5- 35	45050035	35	54,85	160	160	0,98
T 5- 36	45050036	36	56,45	160	160	1,04
T 5- 37	45050037	37	58,06	160	160	1,10
T 5- 38	45050038	38	59,65	160	160	1,17
T 5- 40	45050040	40	62,85	160	160	1,33
T 5- 42	45050042	42	66,00	160	160	1,43
T 5- 44	45050044	44	69,20	160	160	1,58
T 5- 45	45050045	45	70,80	160	160	1,65
T 5- 46	45050046	46	72,40	160	160	1,72
T 5- 48	45050048	48	75,55	160	160	1,88
T 5- 50	45050050	50	78,75	160	160	2,05
T 5- 60	45050060	60	94,65	160	160	3,00
T 5- 72	45050072	72	113,75	160	160	4,34
T 5- 80	45050080	80	126,48	160	160	5,38
T 5- 90	45050090	90	142,40	160	160	6,84
T 5- 100	45050100	100	158,31	160	160	8,46

MATERIALE **ALLUMINIO**

**A RICHIESTA** si costruiscono barre passo T 20

Disegni CAD disponibili sul sito [www.chiaravalli.com](http://www.chiaravalli.com)

Quantità, disponibilità e prezzi con B2B Chiaravalli





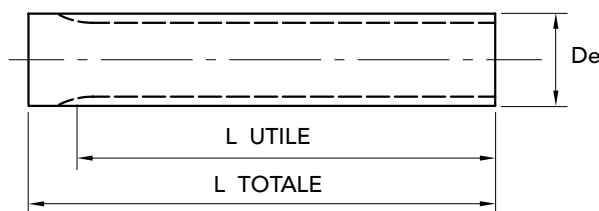


# BARRE "CT" PER CINGHIE DENTATE PASSO METRICO "AT" 5

15

## CT 5 (passo 5 mm)

Le barre passo CT 5 vengono costruite solo in **Alluminio** adatto per l'ossidazione dura a spessore.



TIPO	CODICE	N. DENTI	De ESTERNO	L UTILE	L TOTALE	PESO Kg.
CT5- 12	46050012	12	17,85	140	140	0,08
CT5- 13	46050013	13	19,45	140	140	0,10
CT5- 14	46050014	14	21,05	140	140	0,12
CT5- 15	46050015	15	22,65	140	140	0,14
CT5- 16	46050016	16	24,20	140	140	0,15
CT5- 18	46050018	18	27,40	140	140	0,20
CT5- 19	46050019	19	29,00	140	140	0,23
CT5- 20	46050020	20	30,60	160	160	0,30
CT5- 21	46050021	21	32,30	160	160	0,33
CT5- 22	46050022	22	33,85	160	160	0,36
CT5- 23	46050023	23	35,45	160	160	0,40
CT5- 24	46050024	24	37,00	160	160	0,44
CT5- 25	46050025	25	38,55	160	160	0,47
CT5- 26	46050026	26	40,20	160	160	0,51
CT5- 28	46050028	28	43,25	160	160	0,60
CT5- 30	46050030	30	46,55	160	160	0,69
CT5- 32	46050032	32	49,70	160	160	0,81
CT5- 34	46050034	34	52,85	160	160	0,90
CT5- 36	46050036	36	56,05	160	160	1,02
CT5- 38	46050038	38	59,25	160	160	1,14
CT5- 40	46050040	40	62,45	160	160	1,28
CT5- 42	46050042	42	65,60	160	160	1,41
CT5- 44	46050044	44	68,80	160	160	1,55
CT5- 46	46050046	46	72,00	160	160	1,70
CT5- 48	46050048	48	75,15	160	160	1,85
CT5- 52	46050052	52	81,55	160	160	2,19
CT5- 56	46050056	56	87,90	160	160	2,55
CT5- 60	46050060	60	94,25	160	160	2,94
CT5- 64	46050064	64	100,65	160	160	3,36
CT5- 72	46050072	72	113,35	160	160	4,29

MATERIALE **ALLUMINIO**

**A RICHIESTA** si costruiscono  
barre passo CT 20

Disegni CAD disponibili sul sito  
[www.chiaravalli.com](http://www.chiaravalli.com)

Quantità, disponibilità e prezzi  
con B2B Chiaravalli



BARRE "CT" PER CINGHIE DENTATE PASSO METRICO "AT" 5 (passo 5 mm)



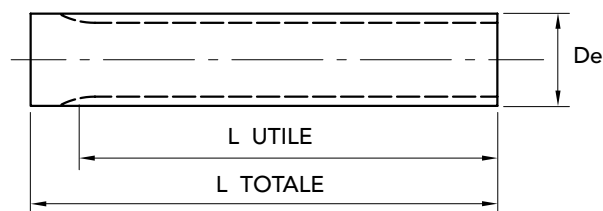


# BARRE "CT" PER CINGHIE DENTATE PASSO METRICO "AT" 10

BARRE "CT" PER CINGHIE DENTATE PASSO METRICO "AT" 10 (passo 10 mm)

## CT 10 (passo 10 mm)

Le barre passo CT 10 vengono costruite solo in **Alluminio** adatto per l'ossidazione dura a spessore.



TIPO	CODICE	N. DENTI	De ESTERNO	L UTILE	L TOTALE	PESO Kg.
CT10- 15	46100015	15	45,90	160	160	0,62
CT10- 16	46100016	16	49,14	160	160	0,72
CT10- 18	46100018	18	55,45	160	160	0,92
CT10- 19	46100019	19	58,65	160	160	1,05
CT10- 20	46100020	20	61,80	160	160	1,17
CT10- 21	46100021	21	65,00	160	160	1,31
CT10- 22	46100022	22	68,20	160	160	1,44
CT10- 23	46100023	23	71,35	160	160	1,60
CT10- 24	46100024	24	74,55	160	160	1,75
CT10- 25	46100025	25	77,75	160	160	1,91
CT10- 26	46100026	26	80,90	160	160	2,06
CT10- 28	46100028	28	87,25	160	160	2,42
CT10- 30	46100030	30	93,65	160	160	2,79
CT10- 32	46100032	32	100,00	160	160	3,20
CT10- 34	46100034	34	106,40	160	160	3,65
CT10- 36	46100036	36	112,75	160	160	4,09
CT10- 38	46100038	38	119,10	160	160	4,59
CT10- 40	46100040	40	125,45	160	160	5,16
CT10- 42	46100042	42	131,85	160	160	5,65
CT10- 44	46100044	44	138,20	160	160	6,22
CT10- 46	46100046	46	144,55	160	160	6,84
CT10- 48	46100048	48	150,95	160	160	7,45
CT10- 52	46100052	52	163,65	160	160	8,93
CT10- 56	46100056	56	176,40	160	160	10,39
CT10- 60	46100060	60	189,15	160	160	11,78

MATERIALE **ALLUMINIO**

**A RICHIESTA si costruiscono  
barre passo CT 20**

Disegni CAD disponibili sul sito  
[www.chiaravalli.com](http://www.chiaravalli.com)

Quantità, disponibilità e prezzi  
con B2B Chiaravalli





# FLANGE PER PULEGGE DENTATE

FLANGE PER PULEGGE

pag. 19

DIMENSIONI FLANGE

Spessore **0,5 mm**

20

Spessore **1 mm**

20

Spessore **1,5 mm**

21

Spessore **2,5 mm**

21

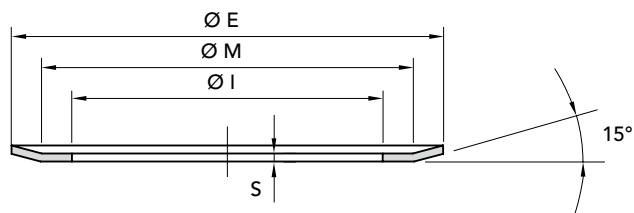


# FLANGE PER PULEGGE DENTATE





# FLANGE PER PULEGGE DENTATE



FLANGE PER PULEGGE DENTATE

## PULEGGIA TIPO

N. DENTI PULEGGIA	MXL	XL	L	H	XH	XXH	GT 3MR	GT 5MR	HTD 8M	HTD 14M	PC GT	PC GT	T 2,5	CT 5	CT 10
							HTD 3M	HTD 5M			8M	14M		T 5	T 10
N. FLANGIA															
10		1	50				501							3	7
11		1	50											1	9
12		2	52				502	14					501	1	13
13		2	83										501	2	12
14		4	54	59			503	2					502	2	11
15		4	55	60			516	4					502	4	16
16	502	5	56	61			504	4					503	5	18
17		6	57	62									503	5	20
18	503	7	58	63	155	163	505	6					504	6	21
19		7	59	64	156								505	8	24
20	503	9	60	76	157	165	517	8					505	8	24
21		9	61	66	158		518	9					505	9	26
22	504	10	62	67	159	169	518	15	53		53		512	9	27
23		13	63	68									512	10	27
24	505	12	63	70	161	173	518	13	69				512	13	29
25		12	64	71	162						61		506	12	29
26		11	65	72	163	178	508	12	61				507	12	31
27		11	65	74	164								507	11	32
28	506	16	66	75	165		509	11	79	153	79	153	507	11	33
29		16		75									507	16	
30	506	18	68	78	167		509	16	73	154	82	154	508	16	35
32	507	20	70	80	169		510	18	76	160	76	160	509	18	38
33			71	81									509		
34		22	72	81	170			20	66	166	66	171	509	21	72
35		22	72	85									509	22	
36	508	23	74	85			519	21	68	168	68	168	510	23	43
37													510	23	
38		24		86				24	70	172	70	172	510	24	78
39		24													
40	509	26	78	90			513	25	77	162	77	174	511	24	47
41		26													
42	509	27	80	94									511	26	
43		27													
44	510	27	81	95			520	27	75	175		175	513	27	
45			81	96							75			27	85
46														29	
48		29	85	100				29	78	180	78	180	513	29	86
50											80	169	514	31	
56		35						33	85	182	85	182			
60		38									86		515	38	100
64								38	90	184	90				
72								43	97						



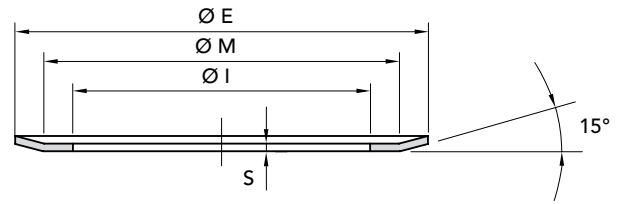
Disegni CAD disponibili sul sito  
[www.chiaravalli.com](http://www.chiaravalli.com)

Quantità, disponibilità e prezzi  
 con B2B Chiaravalli





# DIMENSIONI FLANGE PER PULEGGE DENTATE

**DIMENSIONI FLANGE PER PULEGGE DENTATE SPESSORE 0,5 mm - 1 mm**
**SPESSORE 0,5 mm - 1 mm**
**MATERIALE FE ZINCATE**
**MATERIALE FE**

**SPESSORE 0,5 mm**
**SPESSORE 1 mm**

N. FLANGIA	CODICE	Spessore S = 0,5 mm			Peso Kg.	N. FLANGIA	CODICE	Spessore S = 1 mm			Peso Kg.
		Ø E	Ø I	Ø M				Ø E	Ø I	Ø M	
501	49200501	13	6	10	0,01	1	49200001	23	12,5	18	0,03
502	49200502	15	8	12	0,01	2	49200002	25	15	21,5	0,03
503	49200503	16	9,5	13	0,01	3	49200003	19,5	12	17,5	0,02
504	49200504	17,5	11,6	14,5	0,01	4	49200004	28	17,8	24	0,04
505	49200505	20	12,2	16,5	0,02	5	49200005	32	20	26	0,04
506	49200506	25	14,5	21,5	0,03	6	49200006	32	23	27,5	0,04
507	49200507	26	17,8	24	0,03	7	49200007	35	23	30,5	0,05
508	49200508	28	20	25	0,03	8	49200008	36	25	31	0,05
509	49200509	32	23	27,5	0,04	9	49200009	38	26,5	34	0,05
510	49200510	36	25	31	0,05	10	49200010	41	30	36	0,06
511	49200511	38	26,5	34	0,06	11	49200011	48	37	43,5	0,07
512	49200512	22	14,5	19	0,03	12	49200012	44	32,5	40,5	0,06
513	49200513	42	30,5	38	0,06	13	49200013	42	30,5	38	0,06
514	49200514	44	32,5	40,5	0,06	14	49200014	23	14	20	0,02
515	49200515	51	40	47	0,07	15	49200015	39	28	34,5	0,05
516	49200516	17,5	10,5	14,5	0,10	16	49200016	51	40	47	0,07
517	49200517	23	14	20	0,20	17					
518	49200518	25	15	21,5	0,30	18	49200018	54	43	50,5	0,08
519	49200519	39	28	34,5	0,50	19					
520	49200520	48	37	43,5	0,70	20	49200020	57	47	51,5	0,07
						21	49200021	60	47	57	0,10
						22	49200022	61	49	56,5	0,10
						23	49200023	64	47	57	0,10
						24	49200024	66,5	52	63	0,14
						25	49200025	71	56	64	0,14
						26	49200026	70	53	66,5	0,15
						27	49200027	75	60	68,5	0,15
						28					
						29	49200029	83	68	78	0,17
						30					
						31	49200031	87	72	82,5	0,18
						32	49200032	91	76	85,5	0,19
						33	49200033	93	80	89	0,17
						34					
						35	49200035	102	83	93,8	0,27
						36					
						37					
						38	49200038	106	90	101	0,24
						39					
						40					
						41					
						42					
						43	49200043	119	103	113,5	0,27
						44					
						45					
						46					
						47	49200047	131	115	125,5	0,30

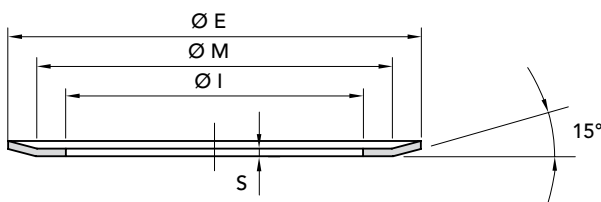




# DIMENSIONI FLANGE PER PULEGGE DENTATE

**SPESSORE 1,5 mm - 2,5 mm**

MATERIALE FE



**SPESSORE 1,5 mm**

**SPESSORE 2,5 mm**

N. FLANGIA	CODICE	Spessore S = 1,5 mm			Peso Kg.
		Ø E	Ø I	Ø M	
50	49200050	37	25	33	0,06
51	49200051	39	28	34,5	0,06
52	49200052	43	31	39	0,06
53	49200053	60	47	57	0,12
54	49200054	48	37	42	0,05
55	49200055	51	38,5	45	0,06
56	49200056	54	43	48	0,06
57	49200057	57	46	51	0,07
58	49200058	60	48	54,2	0,07
59	49200059	64	47	57	0,16
60	49200060	66,5	53	60,2	0,14
61	49200061	70	53	64	0,18
62	49200062	75	57	68	0,18
63	49200063	79	60	72,5	0,18
64	49200064	82,5	64	76	0,23
65	49200065	86	68	81,5	0,24
66	49200066	91	73	86	0,23
67	49200067	94	76	88	0,23
68	49200068	97	79	92	0,23
69	49200069	66	52	61,5	0,14
70	49200070	102	82,5	97	0,30
71	49200071	106	86	100	0,31
72	49200072	112	91	105,5	0,31
73	49200073	83	68	76,5	0,18
74	49200074	115	94	109	0,37
75	49200075	120	99,5	112,5	0,36
76	49200076	87	72	82,5	0,20
77	49200077	106	90	101	0,20
78	49200078	128	107	121	0,30
79	49200079	75	60	70,5	0,22
80	49200080	135	115	128,5	0,43
81	49200081	142	120	137	0,79
82	49200082	82,5	67	76	0,25
83	49200083	44	32,5	40,5	0,25
84					
85	49200085	150	130	145	0,30
86	49200086	158	138,5	153	0,30
87					
88					
89					
90	49200090	168	148	161	0,50
91					
92					
93					
94	49200094	180	154	174	0,70
95	49200095	184	162	177	0,70
96	49200096	192	165	181,5	0,70
97	49200097	192	173	187	0,70
98					
99					
100	49200100	200	180	193	0,100

N. FLANGIA	CODICE	Spessore S = 2,5 mm			Peso Kg.
		Ø E	Ø I	Ø M	
150					
151					
152					
153	49200153	128	107	124	0,50
154	49200154	138	112	131	0,65
155	49200155	140	107	125	0,80
156	49200156	146	107	133	0,99
157	49200157	155	107	139	1,20
158	49200158	160	120	148	1,10
159	49200159	170	120	153	1,40
160	49200160	154	122	142	0,87
161	49200161	184	135	168	1,54
162	49200162	188	150	176	1,25
163	49200163	198	150	180	1,65
164	49200164	205	160	189	1,62
165	49200165	212	162	200	1,84
166	49200166	160	130	150	0,86
167	49200167	227	176	210	2,00
168	49200168	168	135	162	0,98
169	49200169	240	192	224	2,04
170	49200170	256	220	240	1,60
171	49200171	160	136	150	0,70
172	49200172	183	145	170	1,22
173	49200173	267	220	240	2,25
174	49200174	188	160	177	0,96
175	49200175	211	173	198	1,44
176					
177	49200177	297	249	280	2,58
178	49200178	290	230	260	3,07
179					
180	49200180	226	190	214	1,47
181					
182	49200182	256	225	247	1,47
183					
184	49200184	296	260	287	1,97

**DIMENSIONI FLANGE PER PULEGGE DENTATE SPESSORE 1,5 mm - 2,5 mm**

# SERVIZI SPEDIZIONE



**B2B**

*Chiaravalli Group SpA  
E-commerce service*

**FAST TRACK**

*Spedizioni giornaliere  
via aerea*



**PRIORITY TRUCK SERVICE**

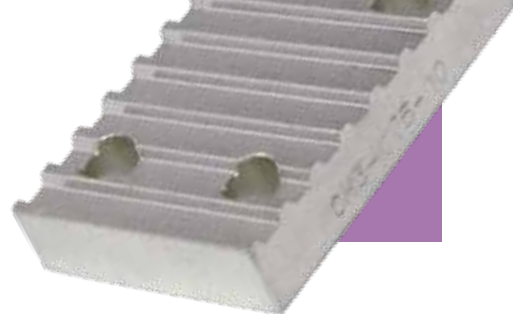
*Spedizioni prioritarie  
mezzo camion*

**ADVANCED SHIPPING**

*Spedizioni in trenta ore  
via aerea o camion*



**OGNI VOSTRA NECESSITÀ  
È LA NOSTRA UNICA PRIORITÀ**



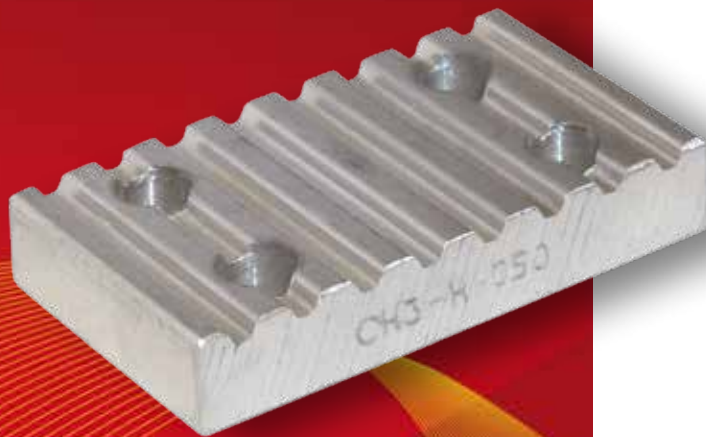
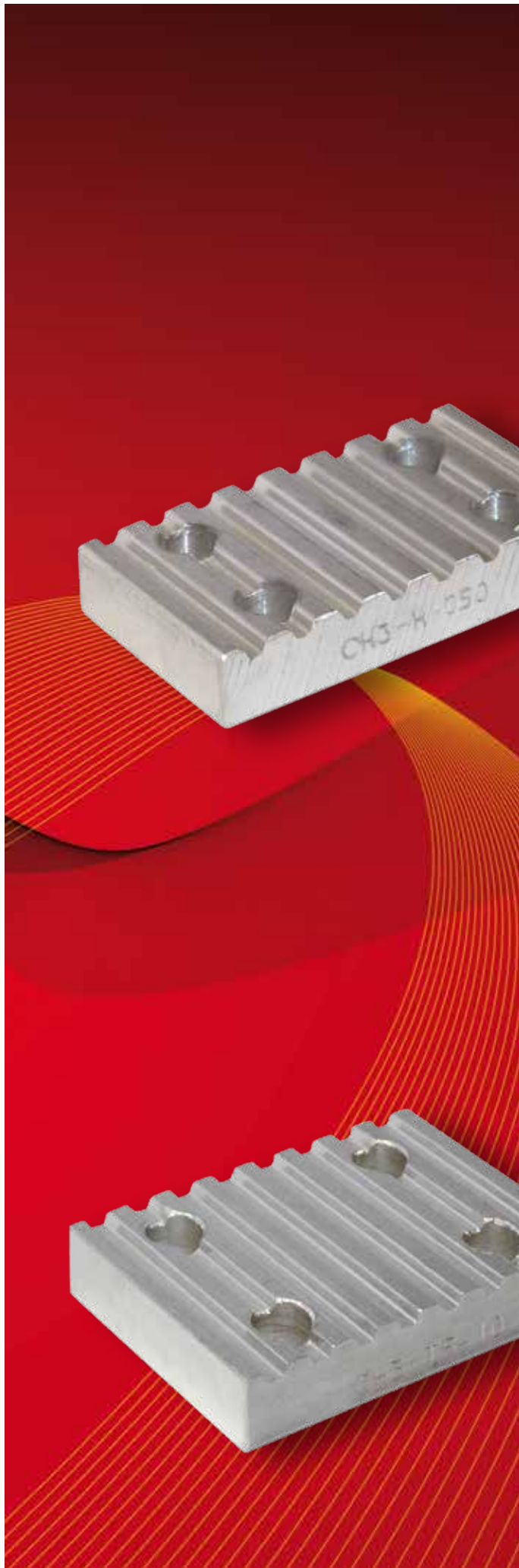
# PIASTRE DI BLOCCAGGIO PER CINGHIE

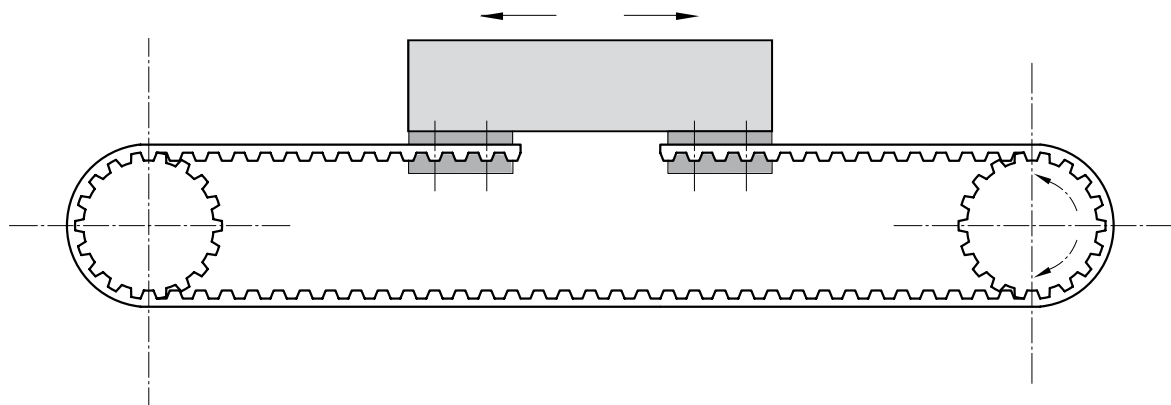
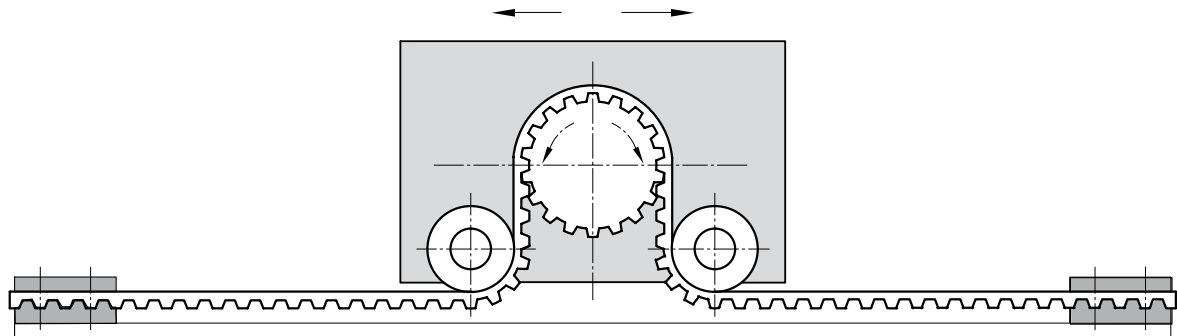
PIASTRE PER CINGHIE <b>POWERGRIP</b> <sup>®</sup> <b>POSITIVE</b>	pag. 26
PIASTRE PER CINGHIE <b>POWERGRIP</b> <sup>®</sup> <b>HTD</b> <sup>®</sup>	27
PIASTRE PER CINGHIE <b>PASSO METRICO "T"</b>	28
PIASTRE PER CINGHIE <b>PASSO METRICO "AT"</b>	29





# PIASTRE DI BLOCCAGGIO PER CINGHIE





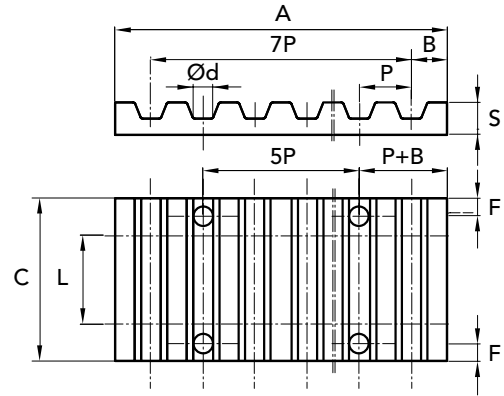




# PIASTRE DI BLOCCAGGIO PER CINGHIE POWERGRIP® POSITIVE

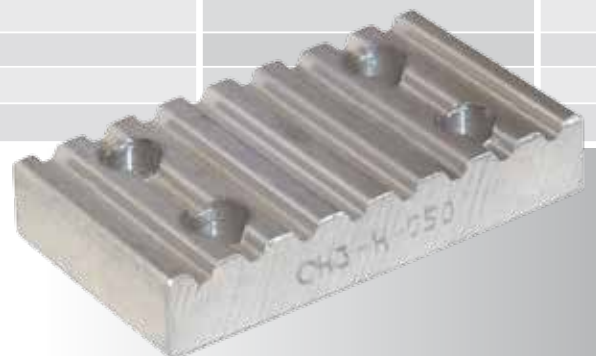
**PIASTRE DI BLOCCAGGIO PER CINGHIE POWERGRIP® POSITIVE**

Il fissaggio delle cinghie mediante piastre di bloccaggio permette di trasformare il moto rotatorio delle pulegge, in moto rettilineo alternato.



TIPO	CODICE	P	L	F	d	B	A	S	C	Peso Kg.
XL 025	49341001	5,08	6,35	6	5,5	3,5	42,5	8	25,5	0,02
XL 037	49341003	5,08	9,52	6	5,5	3,5	42,5	8	28,5	0,02
L 050	49342050	9,52	12,70	8	9,0	5,0	76,6	15	39	0,10
L 075	49342075	9,52	19,05	8	9,0	5,0	76,6	15	45	0,12
L 100	49342100	9,52	25,40	8	9,0	5,0	76,6	15	51,5	0,16
H 050	49343050	12,70	12,70	10	11,0	9,0	106,9	22	45	0,25
H 075	49343075	12,70	19,05	10	11,0	9,0	106,9	22	51	0,30
H 100	49343100	12,70	25,40	10	11,0	9,0	106,9	22	57,5	0,33

MATERIALE **ALLUMINIO**



Disegni CAD disponibili sul sito  
[www.chiaravalli.com](http://www.chiaravalli.com)

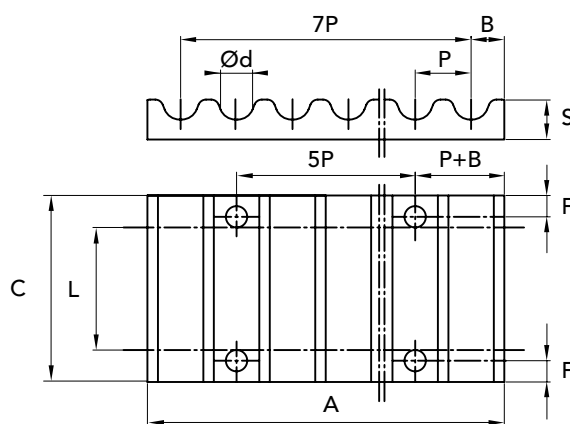
Quantità, disponibilità e prezzi  
con B2B Chiaravalli



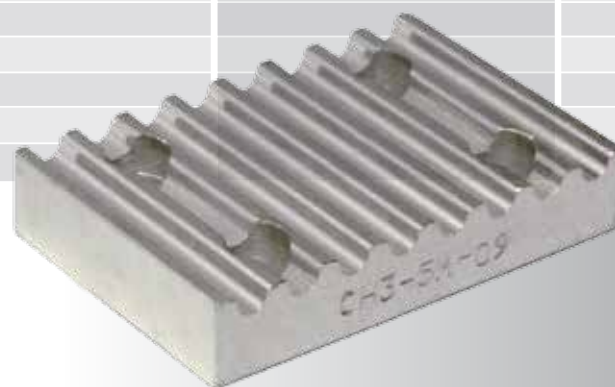
# PIASTRE DI BLOCCAGGIO PER CINGHIE POWERGRIP® HTD®

27

Il fissaggio delle cinghie mediante piastre di bloccaggio permette di trasformare il moto rotatorio delle pulegge, in moto rettilineo alternato.



TIPO	CODICE	P	L	F	d	B	A	S	C	Peso Kg.
5M 09	49340209	5	09	6	5,5	3,2	41,5	8	28	0,02
5M 15	49340215	5	15	6	5,5	3,2	41,5	8	34	0,03
5M 25	49340225	5	25	6	5,5	3,2	41,5	8	44	0,04
8M 20	49340420	8	20	8	9	5	66	15	45	0,10
8M 30	49340430	8	30	8	9	5	66	15	55	0,12
8M 50	49340450	8	50	8	9	5	66	15	75	0,17
8M 85	49340485	8	85	8	9	5	66	15	110	0,25
14M 40	49341440	14	40	10	11	9	116	22	71	0,40
14M 55	49341455	14	55	10	11	9	116	22	86	0,50
14M 85	49341485	14	85	10	11	9	116	22	116	0,68
14M 115	49341490	14	115	10	11	9	116	22	146	0,85
14M 170	49341492	14	170	10	11	9	116	22	201	1,20



MATERIALE **ALLUMINIO**

Disegni CAD disponibili sul sito  
[www.chiaravalli.com](http://www.chiaravalli.com)

Quantità, disponibilità e prezzi  
con B2B Chiaravalli

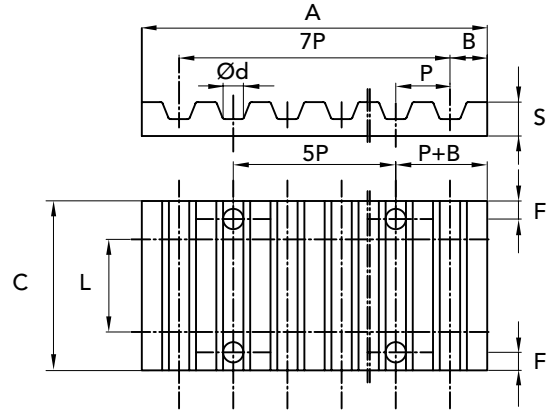
PIASTRE DI BLOCCAGGIO PER CINGHIE POWERGRIP® HTD®



# PIASTRE DI BLOCCAGGIO PER CINGHIE PASSO METRICO "T"

**PIASTRE DI BLOCCAGGIO PER CINGHIE PASSO METRICO "T"**

Il fissaggio delle cinghie mediante piastre di bloccaggio permette di trasformare il moto rotatorio delle pulegge, in moto rettilineo alternato.



TIPO	CODICE	P	L	F	d	B	A	S	C	Peso Kg.
T5 10	49340510	5	10	6	5,5	3,2	41,8	8	29	0,02
T5 16	49340516	5	16	6	5,5	3,2	41,8	8	35	0,03
T5 25	49340525	5	25	6	5,5	3,2	41,8	8	44	0,04
T10 16	49341016	10	16	8	9	5	80	15	41	0,11
T10 25	49341025	10	25	8	9	5	80	15	50	0,14
T10 32	49341032	10	32	8	9	5	80	15	57	0,16
T10 50	49341050	10	50	8	9	5	80	15	75	0,22



MATERIALE **ALLUMINIO**

Disegni CAD disponibili sul sito  
[www.chiaravalli.com](http://www.chiaravalli.com)

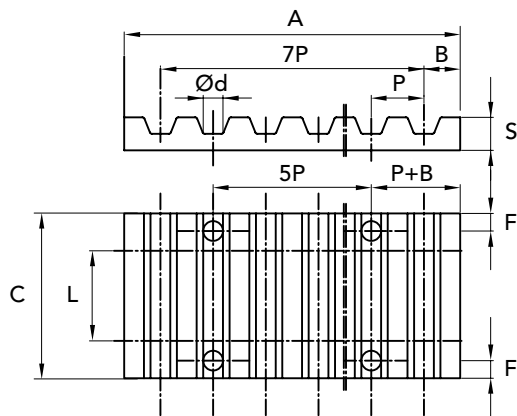
Quantità, disponibilità e prezzi  
con B2B Chiaravalli



# PIASTRE DI BLOCCAGGIO PER CINGHIE PASSO METRICO "AT"

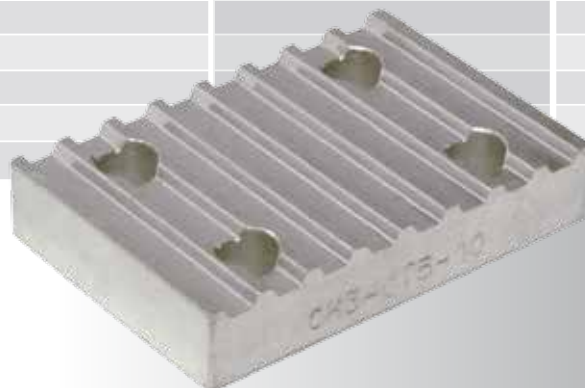
29

Il fissaggio delle cinghie mediante piastre di bloccaggio permette di trasformare il moto rotatorio delle pulegge, in moto rettilineo alternato.



TIPO	CODICE	P	L	F	d	B	A	S	C	Peso Kg.
CT5 10	49346510	5	10	6	5,5	3,2	41,8	8	29	0,02
CT5 16	49346516	5	16	6	5,5	3,2	41,8	8	35	0,03
CT5 25	49346525	5	25	6	5,5	3,2	41,8	8	44	0,04
CT10 16	49347016	10	16	8	9	5	80	15	41	0,11
CT10 25	49347025	10	25	8	9	5	80	15	50	0,14
CT10 32	49347032	10	32	8	9	5	80	15	57	0,16
CT10 50	49347050	10	50	8	9	5	80	15	75	0,22

MATERIALE **ALLUMINIO**



Disegni CAD disponibili sul sito  
[www.chiaravalli.com](http://www.chiaravalli.com)

Quantità, disponibilità e prezzi  
con B2B Chiaravalli

PIASTRE DI BLOCCAGGIO PER CINGHIE PASSO METRICO "AT"



# MARTINETTI

# MECCANICI

*La nuova linea di prodotto Martinetti Meccanici denominata CHT (Chiaravalli High Tech) si integra e completa la gamma degli articoli destinati alla Trasmissione Meccanica.*

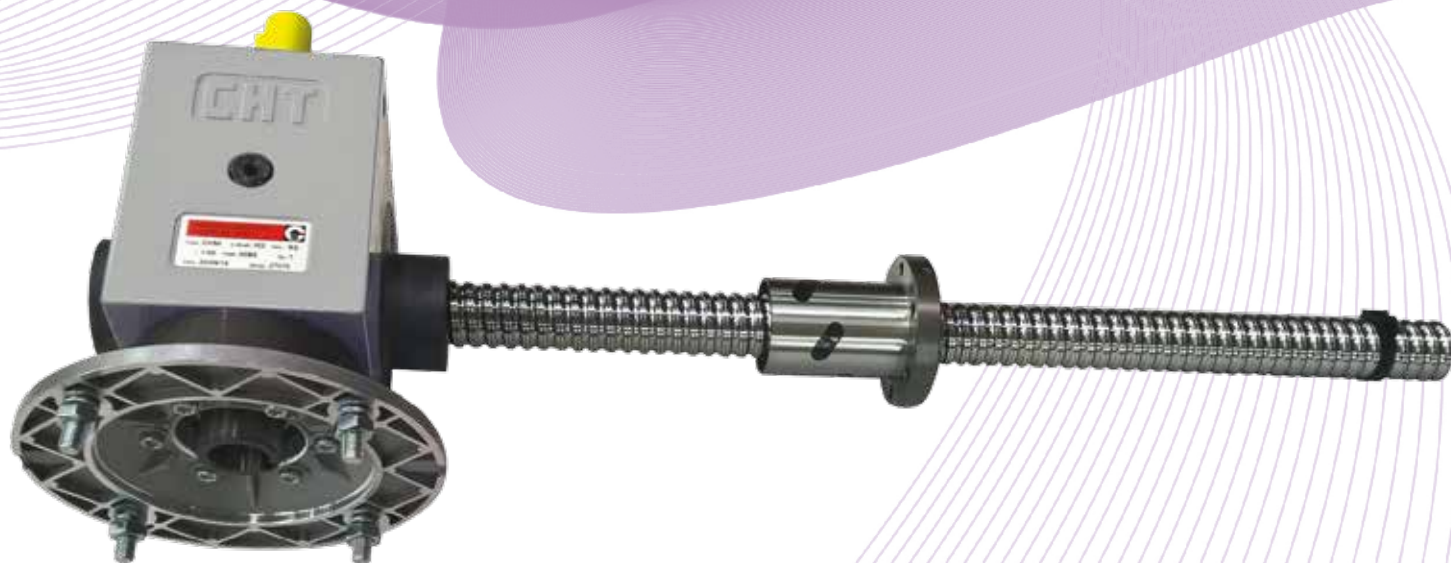
*La nuova linea di prodotti è realizzata utilizzando materiali di alta qualità, lavorati con precisioni assolute, usufruendo del moderno parco macchine di aziende appartenenti alla Chiaravalli Group SpA.*

*Gli elementi base che compongono il prodotto finale Martinetto sono realizzati in grandi serie, rigorosamente*

*controllati e posti a magazzino.*

*Uno speciale software realizzato dalla Chiaravalli Group SpA permette ai nostri clienti di combinare omogeneamente i vari elementi e di realizzare prima, in versione virtuale, il martinetto richiesto e poi, in seconda fase, di ordinarlo con assoluta precisione.*

*L'impegno della Chiaravalli Group SpA è di garantire la consegna di questo prodotto in tempi ristrettissimi, con qualità e precisioni garantite.*

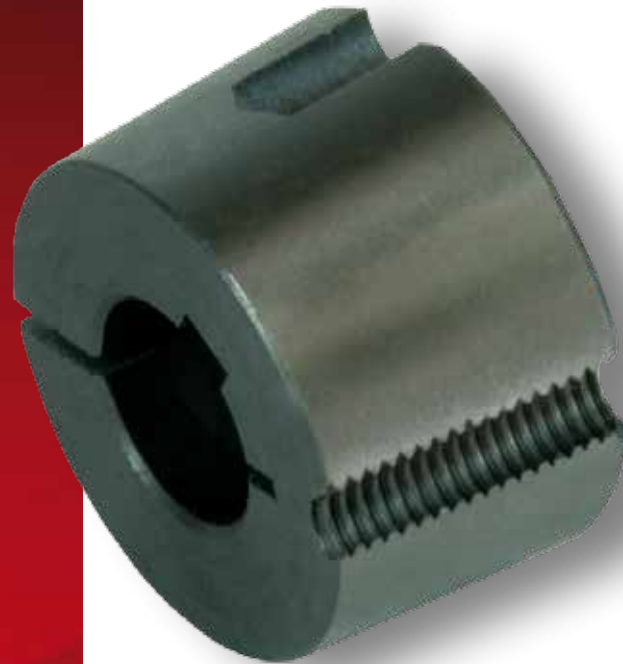






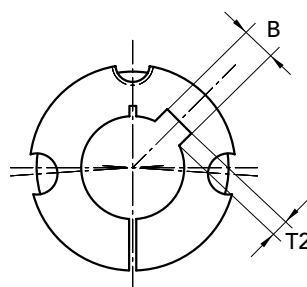
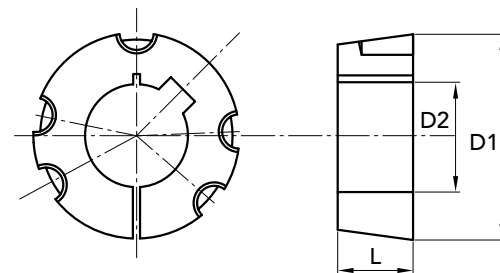
# BUSSOLE CONICHE TL BRAND RCB<sup>®</sup>

<b>SERIE 1008 - 1108 - 1210</b>	pag. 4
<b>SERIE 1215 - 1610 - 1615</b>	5
<b>SERIE 2012 - 2517</b>	6
<b>SERIE 3020 - 3030</b>	7
<b>SERIE 3525 - 3535</b>	8
<b>SERIE 4030 - 4040 - 4535</b>	9
<b>SERIE 4545 - 5040 - 5050</b>	10
<b>ADATTATORI</b> PER BUSSOLE CONICHE TP	11






**SERIE METRICA**

 Alesaggi in mm. **ISO G7**  
 Cave **DIN 6885-JS9**

**ESECUZIONE A**

**ESECUZIONE B**

TIPO BUSSOLA	Ø D1	CODICE	esecuzione	L	Ø D2 H8 solo foro iniziale	Ø D2 con foro ISO G7 cava DIN 6885-JS9	B largh. cava	T2 prof. cava	VITI British Standard Whitworth	coppia di serraggio N/m	peso Kg
1008	35	29100800	A	22	8	-	-	-	1/4"x1/2"	5,6	0,13
1008	35	29100808	A	22	-	8	2	1,0	1/4"x1/2"	5,6	0,13
1008	35	29100810	A	22	-	10	3	1,4	1/4"x1/2"	5,6	0,13
1008	35	29100812	A	22	-	12	4	1,8	1/4"x1/2"	5,6	0,12
1008	35	29100814	A	22	-	14	5	2,3	1/4"x1/2"	5,6	0,12
1008	35	29100816	A	22	-	16	5	2,3	1/4"x1/2"	5,6	0,11
1008	35	29100818	A	22	-	18	6	2,8	1/4"x1/2"	5,6	0,10
1008	35	29100819	A	22	-	19	6	2,8	1/4"x1/2"	5,6	0,10
1008	35	29100820	A	22	-	20	6	2,8	1/4"x1/2"	5,6	0,09
1008	35	29100822	A	22	-	22	6	2,8	1/4"x1/2"	5,6	0,08
1008	35	29100824	A	22	-	24	8	2,0	1/4"x1/2"	5,6	0,07
1008	35	29100825	A	22	-	25	8	1,3	1/4"x1/2"	5,6	0,07
1108	38	29110800	A	22	12	-	-	-	1/4"x1/2"	5,6	0,15
1108	38	29110812	A	22	-	12	4	1,8	1/4"x1/2"	5,6	0,15
1108	38	29110814	A	22	-	14	5	2,3	1/4"x1/2"	5,6	0,15
1108	38	29110816	A	22	-	16	5	2,3	1/4"x1/2"	5,6	0,14
1108	38	29110818	A	22	-	18	6	2,8	1/4"x1/2"	5,6	0,13
1108	38	29110819	A	22	-	19	6	2,8	1/4"x1/2"	5,6	0,13
1108	38	29110820	A	22	-	20	6	2,8	1/4"x1/2"	5,6	0,12
1108	38	29110824	A	22	-	24	8	3,3	1/4"x1/2"	5,6	0,10
1108	38	29110825	A	22	-	25	8	3,3	1/4"x1/2"	5,6	0,09
1108	38	29110828	A	22	-	28	8	2,0	1/4"x1/2"	5,6	0,07
1210	47,5	29121000	A	25	12	-	-	-	3/8"x5/8"	19,6	0,28
1210	47,5	29121012	A	25	-	12	4	1,8	3/8"x5/8"	19,6	0,28
1210	47,5	29121014	A	25	-	14	5	2,3	3/8"x5/8"	19,6	0,27
1210	47,5	29121016	A	25	-	16	5	2,3	3/8"x5/8"	19,6	0,26
1210	47,5	29121018	A	25	-	18	6	2,8	3/8"x5/8"	19,6	0,25
1210	47,5	29121019	A	25	-	19	6	2,8	3/8"x5/8"	19,6	0,24
1210	47,5	29121020	A	25	-	20	6	2,8	3/8"x5/8"	19,6	0,24
1210	47,5	29121024	A	25	-	24	8	3,3	3/8"x5/8"	19,6	0,21
1210	47,5	29121025	A	25	-	25	8	3,3	3/8"x5/8"	19,6	0,21
1210	47,5	29121028	A	25	-	28	8	3,3	3/8"x5/8"	19,6	0,18
1210	47,5	29121030	A	25	-	30	8	3,3	3/8"x5/8"	19,6	0,17
1210	47,5	29121032	A	25	-	32	10	3,3	3/8"x5/8"	19,6	0,15

**MATERIALE GHISA GRIGIA**  
**normativa UNI EN 1561**

 Bussole con Foro iniziale  
 senza Cava

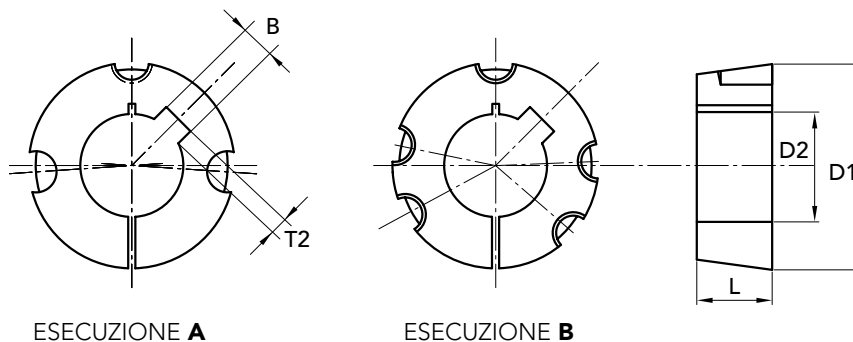
 Disegni CAD disponibili sul sito  
[www.chiaravalli.com](http://www.chiaravalli.com)
**Quantità, disponibilità e prezzi**  
**con B2B Chiaravalli**






**SERIE METRICA**

Alesaggi in mm. **ISO G7**  
 Cave **DIN 6885-JS9**



ESECUZIONE A

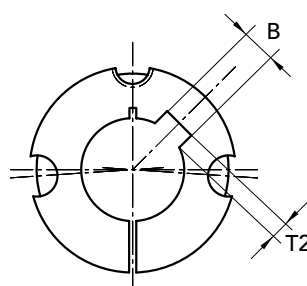
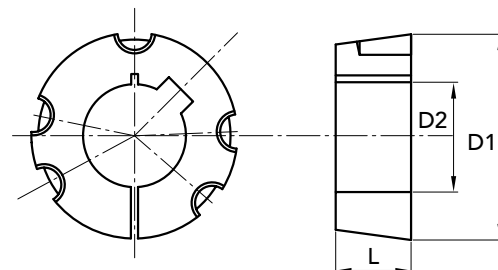
ESECUZIONE B

TIPO BUSSOLA	Ø D1	CODICE	esecuzione	L	Ø D2 H8 solo foro iniziale	Ø D2 con foro ISO G7 cava DIN 6885-JS9	B largh. cava	T2 prof. cava	VITI British Standard Whitworth	coppia di serraggio N/m	peso Kg
1215	47,5	29121500	A	38	12	-	-	-	3/8"x5/8"	19,6	0,38
1215	47,5	29121512	A	38	-	12	4	1,8	3/8"x5/8"	19,6	0,38
1215	47,5	29121514	A	38	-	14	5	2,3	3/8"x5/8"	19,6	0,38
1215	47,5	29121519	A	38	-	19	6	2,8	3/8"x5/8"	19,6	0,34
1215	47,5	29121520	A	38	-	20	6	2,8	3/8"x5/8"	19,6	0,34
1215	47,5	29121524	A	38	-	24	8	3,3	3/8"x5/8"	19,6	0,29
1215	47,5	29121525	A	38	-	25	8	3,3	3/8"x5/8"	19,6	0,29
1215	47,5	29121528	A	38	-	28	8	3,3	3/8"x5/8"	19,6	0,26
1610	57	29161000	A	25	12	-	-	-	3/8"x5/8"	19,6	0,41
1610	57	29161012	A	25	-	12	4	1,8	3/8"x5/8"	19,6	0,41
1610	57	29161014	A	25	-	14	5	2,3	3/8"x5/8"	19,6	0,41
1610	57	29161016	A	25	-	16	5	2,3	3/8"x5/8"	19,6	0,40
1610	57	29161018	A	25	-	18	6	2,8	3/8"x5/8"	19,6	0,39
1610	57	29161019	A	25	-	19	6	2,8	3/8"x5/8"	19,6	0,38
1610	57	29161020	A	25	-	20	6	2,8	3/8"x5/8"	19,6	0,38
1610	57	29161022	A	25	-	22	6	2,8	3/8"x5/8"	19,6	0,36
1610	57	29161024	A	25	-	24	8	3,3	3/8"x5/8"	19,6	0,36
1610	57	29161025	A	25	-	25	8	3,3	3/8"x5/8"	19,6	0,35
1610	57	29161028	A	25	-	28	8	3,3	3/8"x5/8"	19,6	0,32
1610	57	29161030	A	25	-	30	8	3,3	3/8"x5/8"	19,6	0,30
1610	57	29161032	A	25	-	32	10	3,3	3/8"x5/8"	19,6	0,29
1610	57	29161035	A	25	-	35	10	3,3	3/8"x5/8"	19,6	0,26
1610	57	29161038	A	25	-	38	10	3,3	3/8"x5/8"	19,6	0,23
1610	57	29161040	A	25	-	40	12	3,3	3/8"x5/8"	19,6	0,21
1610	57	29161042	A	25	-	42	12	2,2	3/8"x5/8"	19,6	0,19
1615	57	29161500	A	38	12	-	-	-	3/8"x5/8"	19,6	0,58
1615	57	29161512	A	38	-	12	4	1,8	3/8"x5/8"	19,6	0,58
1615	57	29161514	A	38	-	14	5	2,3	3/8"x5/8"	19,6	0,58
1615	57	29161516	A	38	-	16	5	2,3	3/8"x5/8"	19,6	0,58
1615	57	29161518	A	38	-	18	6	2,8	3/8"x5/8"	19,6	0,56
1615	57	29161519	A	38	-	19	6	2,8	3/8"x5/8"	19,6	0,55
1615	57	29161520	A	38	-	20	6	2,8	3/8"x5/8"	19,6	0,55
1615	57	29161522	A	38	-	22	6	2,8	3/8"x5/8"	19,6	0,53
1615	57	29161524	A	38	-	24	8	3,3	3/8"x5/8"	19,6	0,50
1615	57	29161525	A	38	-	25	8	3,3	3/8"x5/8"	19,6	0,49
1615	57	29161528	A	38	-	28	8	3,3	3/8"x5/8"	19,6	0,47
1615	57	29161530	A	38	-	30	8	3,3	3/8"x5/8"	19,6	0,45
1615	57	29161532	A	38	-	32	10	3,3	3/8"x5/8"	19,6	0,41
1615	57	29161535	A	38	-	35	10	3,3	3/8"x5/8"	19,6	0,38
1615	57	29161538	A	38	-	38	10	3,3	3/8"x5/8"	19,6	0,32
1615	57	29161540	A	38	-	40	12	3,3	3/8"x5/8"	19,6	0,29
1615	57	29161542	A	38	-	42	12	3,3	3/8"x5/8"	19,6	0,29

BUSSOLE CONICHE TL BRAND RCB®




**SERIE METRICA**

 Alesaggi in mm. **ISO G7**  
 Cave **DIN 6885-JS9**

**ESECUZIONE A**

**ESECUZIONE B**

TIPO BUSSOLA	Ø D1	CODICE	esecuzione	L	Ø D2 H8 solo foro iniziale	Ø D2 con foro ISO G7 cava DIN 6885-JS9	B largh. cava	T2 prof. cava	VITI British Standard Whitworth	coppia di serraggio N/m	peso Kg
2012	70	29201200	A	32	16	-	-	-	7/16"x7/8"	30,4	0,76
2012	70	29201216	A	32	-	16	5	2,3	7/16"x7/8"	30,4	0,76
2012	70	29201218	A	32	-	18	6	2,8	7/16"x7/8"	30,4	0,76
2012	70	29201219	A	32	-	19	6	2,8	7/16"x7/8"	30,4	0,76
2012	70	29201220	A	32	-	20	6	2,8	7/16"x7/8"	30,4	0,75
2012	70	29201224	A	32	-	24	8	3,3	7/16"x7/8"	30,4	0,72
2012	70	29201225	A	32	-	25	8	3,3	7/16"x7/8"	30,4	0,71
2012	70	29201228	A	32	-	28	8	3,3	7/16"x7/8"	30,4	0,68
2012	70	29201230	A	32	-	30	8	3,3	7/16"x7/8"	30,4	0,66
2012	70	29201232	A	32	-	32	10	3,3	7/16"x7/8"	30,4	0,64
2012	70	29201235	A	32	-	35	10	3,3	7/16"x7/8"	30,4	0,60
2012	70	29201238	A	32	-	38	10	3,3	7/16"x7/8"	30,4	0,57
2012	70	29201240	A	32	-	40	12	3,3	7/16"x7/8"	30,4	0,54
2012	70	29201242	A	32	-	42	12	3,3	7/16"x7/8"	30,4	0,51
2012	70	29201245	A	32	-	45	14	3,8	7/16"x7/8"	30,4	0,46
2012	70	29201248	A	32	-	48	14	3,8	7/16"x7/8"	30,4	0,40
2012	70	29201250	A	32	-	50	14	3,8	7/16"x7/8"	30,4	0,37
2517	85,5	29251700	A	45	15	-	-	-	1/2"x1"	48	1,62
2517	85,5	29251715	A	45	-	15	5	2,3	1/2"x1"	48	1,62
2517	85,5	29251718	A	45	-	18	6	2,8	1/2"x1"	48	1,62
2517	85,5	29251719	A	45	-	19	6	2,8	1/2"x1"	48	1,62
2517	85,5	29251720	A	45	-	20	6	2,8	1/2"x1"	48	1,60
2517	85,5	29251722	A	45	-	22	6	2,8	1/2"x1"	48	1,57
2517	85,5	29251724	A	45	-	24	8	3,3	1/2"x1"	48	1,57
2517	85,5	29251725	A	45	-	25	8	3,3	1/2"x1"	48	1,56
2517	85,5	29251728	A	45	-	28	8	3,3	1/2"x1"	48	1,52
2517	85,5	29251730	A	45	-	30	8	3,3	1/2"x1"	48	1,49
2517	85,5	29251732	A	45	-	32	10	3,3	1/2"x1"	48	1,45
2517	85,5	29251733	A	45	-	33	10	3,3	1/2"x1"	48	1,40
2517	85,5	29251735	A	45	-	35	10	3,3	1/2"x1"	48	1,40
2517	85,5	29251738	A	45	-	38	10	3,3	1/2"x1"	48	1,40
2517	85,5	29251740	A	45	-	40	12	3,3	1/2"x1"	48	1,35
2517	85,5	29251742	A	45	-	42	12	3,3	1/2"x1"	48	1,27
2517	85,5	29251745	A	45	-	45	14	3,8	1/2"x1"	48	1,20
2517	85,5	29251748	A	45	-	48	14	3,8	1/2"x1"	48	1,13
2517	85,5	29251750	A	45	-	50	14	3,8	1/2"x1"	48	1,08
2517	85,5	29251755	A	45	-	55	16	4,3	1/2"x1"	48	0,96
2517	85,5	29251760	A	45	-	60	18	4,4	1/2"x1"	48	0,81
2517	85,5	29251765	A	45	-	65	18	4,4	1/2"x1"	48	0,65

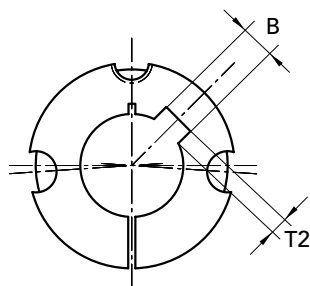
**MATERIALE GHISA GRIGIA**  
**normativa UNI EN 1561**
**Bussole con Foro iniziale**  
**senza Cava**

 Disegni CAD disponibili sul sito  
[www.chiaravalli.com](http://www.chiaravalli.com)
**Quantità, disponibilità e prezzi**  
**con B2B Chiaravalli**

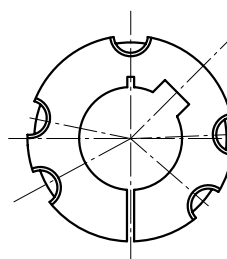



**SERIE METRICA**

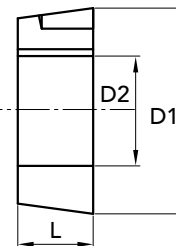
Alesaggi in mm. **ISO G7**  
 Cava **DIN 6885-JS9**



ESECUZIONE A



ESECUZIONE B



**BUSSOLE CONICHE TL BRAND RCB®**

TIPO BUSSOLA	Ø D1	CODICE	esecuzione	L	Ø D2 H8 solo foro iniziale	Ø D2 con foro ISO G7 cava DIN 6885-JS9	B largh. cava	T2 prof. cava	VITI British Standard Whitworth	coppia di serraggio N/m	peso Kg
3020	108	29302000	A	51	20	-	-	-	5/8"x1" 1/4	90	2,79
3020	108	29302020	A	51	-	20	6	2,8	5/8"x1" 1/4	90	2,79
3020	108	29302028	A	51	-	28	8	3,3	5/8"x1" 1/4	90	2,79
3020	108	29302030	A	51	-	30	8	3,3	5/8"x1" 1/4	90	2,84
3020	108	29302032	A	51	-	32	10	3,3	5/8"x1" 1/4	90	2,80
3020	108	29302035	A	51	-	35	10	3,3	5/8"x1" 1/4	90	2,75
3020	108	29302038	A	51	-	38	10	3,3	5/8"x1" 1/4	90	2,67
3020	108	29302040	A	51	-	40	12	3,3	5/8"x1" 1/4	90	2,64
3020	108	29302042	A	51	-	42	12	3,3	5/8"x1" 1/4	90	2,59
3020	108	29302045	A	51	-	45	14	3,8	5/8"x1" 1/4	90	2,52
3020	108	29302048	A	51	-	48	14	3,8	5/8"x1" 1/4	90	2,43
3020	108	29302050	A	51	-	50	14	3,8	5/8"x1" 1/4	90	2,37
3020	108	29302055	A	51	-	55	16	4,3	5/8"x1" 1/4	90	2,23
3020	108	29302060	A	51	-	60	18	4,4	5/8"x1" 1/4	90	2,07
3020	108	29302065	A	51	-	65	18	4,4	5/8"x1" 1/4	90	1,89
3020	108	29302070	A	51	-	70	20	4,9	5/8"x1" 1/4	90	1,69
3020	108	29302075	A	51	-	75	20	4,9	5/8"x1" 1/4	90	1,49
3030	108	29303000	A	76	30	-	-	-	5/8"x1" 1/4	90	3,95
3030	108	29303030	A	76	-	30	8	3,3	5/8"x1" 1/4	90	3,95
3030	108	29303035	A	76	-	35	10	3,3	5/8"x1" 1/4	90	3,95
3030	108	29303038	A	76	-	38	10	3,3	5/8"x1" 1/4	90	3,86
3030	108	29303042	A	76	-	42	12	3,3	5/8"x1" 1/4	90	3,69
3030	108	29303045	A	76	-	45	14	3,8	5/8"x1" 1/4	90	3,55
3030	108	29303048	A	76	-	48	14	3,8	5/8"x1" 1/4	90	3,45
3030	108	29303050	A	76	-	50	14	3,8	5/8"x1" 1/4	90	3,42
3030	108	29303055	A	76	-	55	16	4,3	5/8"x1" 1/4	90	3,18
3030	108	29303060	A	76	-	60	18	4,4	5/8"x1" 1/4	90	2,95
3030	108	29303065	A	76	-	65	18	4,4	5/8"x1" 1/4	90	2,68
3030	108	29303070	A	76	-	70	20	4,9	5/8"x1" 1/4	90	2,38
3030	108	29303075	A	76	-	75	20	4,9	5/8"x1" 1/4	90	2,03

MATERIALE **GHISA GRIGIA**  
 normativa **UNI EN 1561**

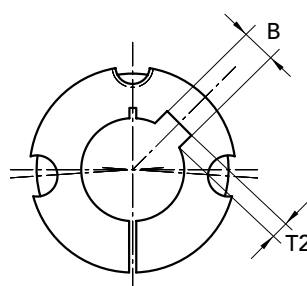
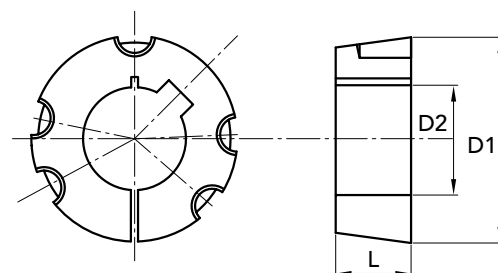
Bussole con Foro iniziale  
 senza Cava

Disegni CAD disponibili sul sito  
[www.chiaravalli.com](http://www.chiaravalli.com)

Quantità, disponibilità e prezzi  
 con B2B Chiaravalli




**SERIE METRICA**

 Alesaggi in mm. **ISO G7**  
 Cave **DIN 6885-JS9**

**ESECUZIONE A**

**ESECUZIONE B**

TIPO BUSSOLA	Ø D1	CODICE	esecuzione	L	Ø D2 H8 solo foro iniziale	Ø D2 con foro ISO G7 cava DIN 6885-JS9	B largh. cava	T2 prof. cava	VITI British Standard Whitworth	coppia di serraggio N/m	peso Kg
3525	127	29352500	B	65	30	-	-	-	1/2"x1" 1/2	113	4,85
3525	127	29352530	B	65	-	30	8	3,3	1/2"x1" 1/2	113	4,85
3525	127	29352538	B	65	-	38	10	3,3	1/2"x1" 1/2	113	4,85
3525	127	29352540	B	65	-	40	12	3,3	1/2"x1" 1/2	113	4,80
3525	127	29352542	B	65	-	42	12	3,3	1/2"x1" 1/2	113	4,71
3525	127	29352545	B	65	-	45	14	3,8	1/2"x1" 1/2	113	4,67
3525	127	29352548	B	65	-	48	14	3,8	1/2"x1" 1/2	113	4,55
3525	127	29352550	B	65	-	50	14	3,8	1/2"x1" 1/2	113	4,44
3525	127	29352555	B	65	-	55	16	4,3	1/2"x1" 1/2	113	4,29
3525	127	29352560	B	65	-	60	18	4,4	1/2"x1" 1/2	113	4,05
3525	127	29352565	B	65	-	65	18	4,4	1/2"x1" 1/2	113	3,88
3525	127	29352570	B	65	-	70	20	4,9	1/2"x1" 1/2	113	3,58
3525	127	29352575	B	65	-	75	20	4,9	1/2"x1" 1/2	113	3,37
3525	127	29352580	B	65	-	80	22	5,4	1/2"x1" 1/2	113	3,05
3525	127	29352585	B	65	-	85	22	5,4	1/2"x1" 1/2	113	3,05
3525	127	29352590	B	65	-	90	25	5,4	1/2"x1" 1/2	113	3,05
3535	127	29353500	B	89	30	-	-	-	1/2"x1" 1/2	113	6,48
3535	127	29353530	B	89	-	30	8	3,3	1/2"x1" 1/2	113	6,48
3535	127	29353535	B	89	-	35	10	3,3	1/2"x1" 1/2	113	6,40
3535	127	29353540	B	89	-	40	12	3,3	1/2"x1" 1/2	113	6,48
3535	127	29353542	B	89	-	42	12	3,3	1/2"x1" 1/2	113	6,40
3535	127	29353545	B	89	-	45	14	3,8	1/2"x1" 1/2	113	6,25
3535	127	29353548	B	89	-	48	14	3,8	1/2"x1" 1/2	113	6,17
3535	127	29353550	B	89	-	50	14	3,8	1/2"x1" 1/2	113	6,05
3535	127	29353555	B	89	-	55	16	4,3	1/2"x1" 1/2	113	5,81
3535	127	29353560	B	89	-	60	18	4,4	1/2"x1" 1/2	113	5,50
3535	127	29353565	B	89	-	65	18	4,4	1/2"x1" 1/2	113	5,20
3535	127	29353570	B	89	-	70	20	4,9	1/2"x1" 1/2	113	4,88
3535	127	29353575	B	89	-	75	20	4,9	1/2"x1" 1/2	113	4,46
3535	127	29353580	B	89	-	80	22	5,4	1/2"x1" 1/2	113	4,08
3535	127	29353585	B	89	-	85	22	5,4	1/2"x1" 1/2	113	3,67
3535	127	29353590	B	89	-	90	25	5,4	1/2"x1" 1/2	113	3,21

**MATERIALE GHISA GRIGIA**  
**normativa UNI EN 1561**

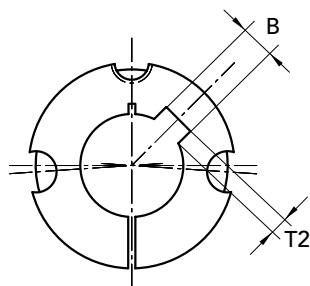
 Bussole con Foro iniziale  
 senza Cava

 Disegni CAD disponibili sul sito  
[www.chiaravalli.com](http://www.chiaravalli.com)
**Quantità, disponibilità e prezzi**  
 con B2B Chiaravalli

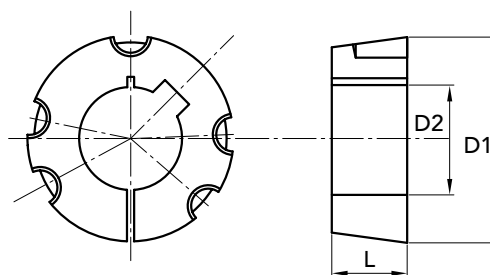



**SERIE METRICA**

Alesaggi in mm. **ISO G7**  
 Cava **DIN 6885-JS9**



ESECUZIONE A



ESECUZIONE B

TIPO BUSSOLA	Ø D1	CODICE	esecuzione	L	Ø D2 H8 solo foro iniziale	Ø D2 con foro ISO G7 cava DIN 6885-JS9	B largh. cava	T2 prof. cava	VITI British Standard Whitworth	coppia di serraggio N/m	peso Kg
4030	146	29403000	B	76	30	-	-	-	5/8"x1" 3/4	169	6,65
4030	146	29403030	B	76	-	30	8	3,3	5/8"x1" 3/4	169	6,65
4030	146	29403040	B	76	-	40	12	3,3	5/8"x1" 3/4	169	6,75
4030	146	29403042	B	76	-	42	12	3,3	5/8"x1" 3/4	169	6,65
4030	146	29403045	B	76	-	45	14	3,8	5/8"x1" 3/4	169	6,58
4030	146	29403048	B	76	-	48	14	3,8	5/8"x1" 3/4	169	6,55
4030	146	29403050	B	76	-	50	14	3,8	5/8"x1" 3/4	169	6,40
4030	146	29403055	B	76	-	55	16	4,3	5/8"x1" 3/4	169	6,40
4030	146	29403060	B	76	-	60	18	4,4	5/8"x1" 3/4	169	6,35
4030	146	29403065	B	76	-	65	18	4,4	5/8"x1" 3/4	169	6,35
4030	146	29403070	B	76	-	70	20	4,9	5/8"x1" 3/4	169	6,30
4030	146	29403075	B	76	-	75	20	4,9	5/8"x1" 3/4	169	6,30
4030	146	29403080	B	76	-	80	22	5,4	5/8"x1" 3/4	169	6,10
4030	146	29403085	B	76	-	85	22	5,4	5/8"x1" 3/4	169	6,10
4030	146	29403090	B	76	-	90	25	5,4	5/8"x1" 3/4	169	5,90
4040	146	29404000	B	102	35	-	-	-	5/8"x 1" 3/4	169	9,48
4040	146	29404035	B	102	-	35	10	3,3	5/8"x 1" 3/4	169	9,48
4040	146	29404050	B	102	-	50	14	3,8	5/8"x 1" 3/4	169	9,48
4040	146	29404055	B	102	-	55	16	4,3	5/8"x 1" 3/4	169	9,27
4040	146	29404060	B	102	-	60	18	4,4	5/8"x 1" 3/4	169	8,93
4040	146	29404065	B	102	-	65	18	4,4	5/8"x 1" 3/4	169	8,65
4040	146	29404070	B	102	-	70	20	4,9	5/8"x 1" 3/4	169	8,17
4040	146	29404075	B	102	-	75	20	4,9	5/8"x 1" 3/4	169	7,78
4040	146	29404080	B	102	-	80	22	5,4	5/8"x 1" 3/4	169	7,35
4040	146	29404085	B	102	-	85	22	5,4	5/8"x 1" 3/4	169	6,89
4040	146	29404090	B	102	-	90	25	5,4	5/8"x 1" 3/4	169	6,36
4040	146	29404095	B	102	-	95	25	5,4	5/8"x 1" 3/4	169	5,94
4535	162	29453500	B	89	35	-	-	-	3/4"x2"	192	10,70
4535	162	29453535	B	89	-	35	10	3,3	3/4"x2"	192	10,70
4535	162	29453565	B	89	-	65	18	4,4	3/4"x2"	192	10,50
4535	162	29453570	B	89	-	70	20	4,9	3/4"x2"	192	10,20
4535	162	29453575	B	89	-	75	20	4,9	3/4"x2"	192	9,95
4535	162	29453580	B	89	-	80	22	5,4	3/4"x2"	192	9,95
4535	162	29453585	B	89	-	85	22	5,4	3/4"x2"	192	9,90
4535	162	29453590	B	89	-	90	25	5,4	3/4"x2"	192	9,80
4535	162	29453595	B	89	-	95	25	5,4	3/4"x2"	192	9,75
4535	162	29453599	B	89	-	100	28	6,4	3/4"x2"	192	9,65
4535	162	29453110	B	89	-	110	28	6,4	3/4"x2"	192	9,55
4535	162	29453120	B	89	-	120	32	7,4	3/4"x2"	192	9,45

MATERIALE **GHISA GRIGIA**  
 normativa **UNI EN 1561**

Bussole con Foro iniziale  
 senza Cava

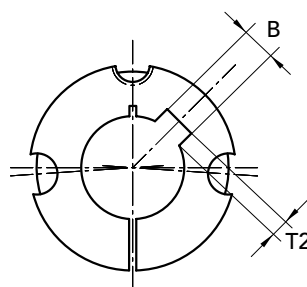
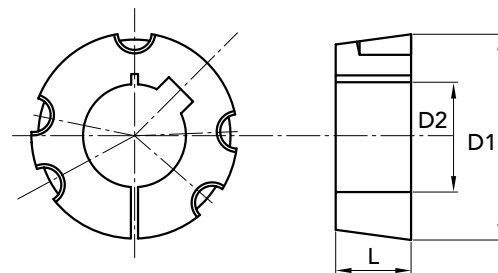
Disegni CAD disponibili sul sito  
[www.chiaravalli.com](http://www.chiaravalli.com)

Quantità, disponibilità e prezzi  
 con B2B Chiaravalli




**SERIE METRICA**

 Alesaggi in mm. **ISO G7**

 Cave **DIN 6885-JS9**

**ESECUZIONE A**

**ESECUZIONE B**

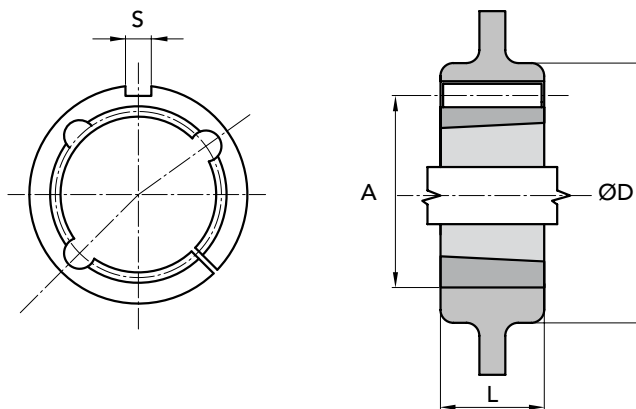
TIPO BUSSOLA	Ø D1	CODICE	esecuzione	L	Ø D2 H8 solo foro iniziale	Ø D2 con foro ISO G7 cava DIN 6885-JS9	B largh. cava	T2 prof. cava	VITI British Standard Whitworth	coppia di serraggio N/m	peso Kg
4545	162	29454500	B	115	35	-	-	-	3/4"x2"	192	13,15
4545	162	29454535	B	115	-	35	10	3,3	3/4"x2"	192	13,15
4545	162	29454555	B	115	-	55	16	4,3	3/4"x2"	192	13,15
4545	162	29454560	B	115	-	60	18	4,4	3/4"x2"	192	12,76
4545	162	29454565	B	115	-	65	18	4,4	3/4"x2"	192	12,38
4545	162	29454570	B	115	-	70	20	4,9	3/4"x2"	192	12,02
4545	162	29454575	B	115	-	75	20	4,9	3/4"x2"	192	11,57
4545	162	29454580	B	115	-	80	22	5,4	3/4"x2"	192	11,05
4545	162	29454585	B	115	-	85	22	5,4	3/4"x2"	192	10,46
4545	162	29454590	B	115	-	90	25	5,4	3/4"x2"	192	9,99
4545	162	29454595	B	115	-	95	25	5,4	3/4"x2"	192	9,42
4545	162	29454599	B	115	-	100	28	6,4	3/4"x2"	192	8,63
4545	162	29454610	B	115	-	110	28	6,4	3/4"x2"	192	7,37
5040	177,6	29504000	B	102	50	-	-	-	7/8"x2" 1/4	272	12,20
5040	177,6	29504050	B	102	-	50	14	3,8	7/8"x2" 1/4	272	12,20
5040	177,6	29504070	B	102	-	70	20	4,9	7/8"x2" 1/4	272	11,90
5040	177,6	29504075	B	102	-	75	20	4,9	7/8"x2" 1/4	272	11,90
5040	177,6	29504080	B	102	-	80	22	5,4	7/8"x2" 1/4	272	11,30
5040	177,6	29504085	B	102	-	85	22	5,4	7/8"x2" 1/4	272	11,30
5040	177,6	29504090	B	102	-	90	25	5,4	7/8"x2" 1/4	272	10,60
5040	177,6	29504099	B	102	-	100	28	6,4	7/8"x2" 1/4	272	10,60
5040	177,6	29504110	B	102	-	110	28	6,4	7/8"x2" 1/4	272	10,00
5040	177,6	29504120	B	102	-	120	32	7,4	7/8"x2" 1/4	272	9,70
5040	177,6	29504125	B	102	-	125	32	7,4	7/8"x2" 1/4	272	9,70
5050	177,6	29505000	B	127	50	-	-	-	7/8"x2" 1/4	272	16,70
5050	177,6	29505050	B	127	-	50	14	3,8	7/8"x2" 1/4	272	16,70
5050	177,6	29505065	B	127	-	65	18	4,4	7/8"x2" 1/4	272	16,70
5050	177,6	29505070	B	127	-	70	20	4,9	7/8"x2" 1/4	272	16,70
5050	177,6	29505075	B	127	-	75	20	4,9	7/8"x2" 1/4	272	16,05
5050	177,6	29505080	B	127	-	80	22	5,4	7/8"x2" 1/4	272	15,56
5050	177,6	29505085	B	127	-	85	22	5,4	7/8"x2" 1/4	272	15,00
5050	177,6	29505090	B	127	-	90	25	5,4	7/8"x2" 1/4	272	14,43
5050	177,6	29505095	B	127	-	95	25	5,4	7/8"x2" 1/4	272	13,88
5050	177,6	29505099	B	127	-	100	28	6,4	7/8"x2" 1/4	272	13,05
5050	177,6	29505110	B	127	-	110	28	6,4	7/8"x2" 1/4	272	11,56
5050	177,6	29505115	B	127	-	115	32	7,4	7/8"x2" 1/4	272	15,17
5050	177,6	29505120	B	127	-	120	32	7,4	7/8"x2" 1/4	272	9,78
5050	177,6	29505125	B	127	-	125	32	7,4	7/8"x2" 1/4	272	9,05

**MATERIALE GHISA GRIGIA**  
**normativa UNI EN 1561**

 Bussole con Foro iniziale  
 senza Cava

 Disegni CAD disponibili sul sito  
[www.chiaravalli.com](http://www.chiaravalli.com)
**Quantità, disponibilità e prezzi**  
**con B2B Chiaravalli**



TIPO DI ADATTATORE	CODICE	N. BUSSOLA	L	A	Ø D PER MOZZI di PULEGGE o PIGNONI in GHISA o ACCIAIO		S	PESO Kg.
ARC 1008	29901008	1008	22	45	75	60	5 x 5	0,45
ARC 1210	29901210	1210	25	60	105	85	6 x 6	0,70
ARC 1610	29901610	1610	25	70	115	95	10 x 8	0,80
ARC 1615	29901615	1615	38	70	115	95	10 x 8	0,90
ARC 2517	29902517	2517	45	105	150	130	16 x 10	2,20
ARC 3030	29903030	3030	76	130	190	160	20 x 12	5,80
ARC 3535	29903535	3535	90	160	240	200	22 x 12	11,30
ARC 4040	29904040	4040s	102	185	290	240	24 x 12	17,30

MATERIALE **GHISA**

Disegni CAD disponibili sul sito  
[www.chiaravalli.com](http://www.chiaravalli.com)

Quantità, disponibilità e prezzi  
con B2B Chiaravalli





# CENTRO

# LOGISTICO

# CANTALUPA

*La Chiaravalli Group SpA, nel suo costante ascolto delle esigenze del mercato, ha percepito la necessità di fornire alla sua fedele clientela un'informazione costante, aggiornata e completa dei suoi prodotti*

*24 ore al giorno*

*365 giorni all'anno.*

*La logistica Chiaravalli Group SpA si è affermata nel tempo come elemento di comparazione e traguardo per tutte le aziende europee del settore meccanico.*





# CALETTATORI BRAND RCK<sup>®</sup>

SERIE RCK 11	pag. 6
SERIE RCK 13	7
SERIE RCK 15	8
SERIE RCK 16	9
SERIE RCK 19	10
SERIE RCK 40	11
SERIE RCK 45	12
SERIE RCK 50	13
SERIE RCK 55	14
SERIE RCK 60	15
SERIE RCK 61	16
SERIE RCK 70	17
SERIE RCK 71	18
SERIE RCK 80	19
SERIE RCK 95	20



## VERIFICA DEL DIAMETRO MINIMO DEL MOZZO Dm

Dopo avere scelto il tipo di calettatore con le caratteristiche richieste è necessario fare un controllo del diametro esterno minimo del mozzo (Dm), il quale deve resistere alle sollecitazioni provocate dalle pressioni elevate sviluppate dal calettatore. La verifica è puramente statica e riguarda solo le sollecitazioni generate dal calettatore:

$$D_m \geq D \times \sqrt{\frac{R_s 0.2 + (P_m \times C)}{R_s 0.2 - (P_m \times C)}}$$

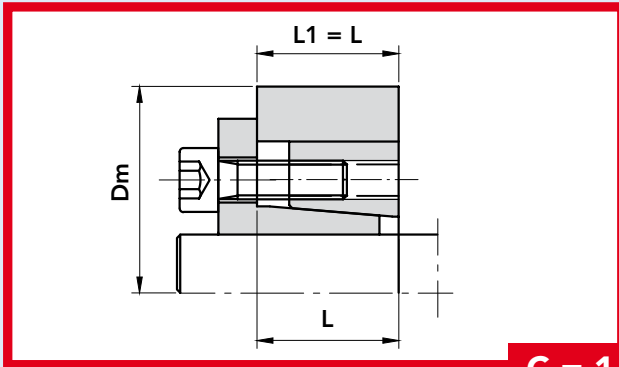
Dove: **Dm** = diametro esterno mozzo (mm)

**D** = diametro esterno calettatore (mm)

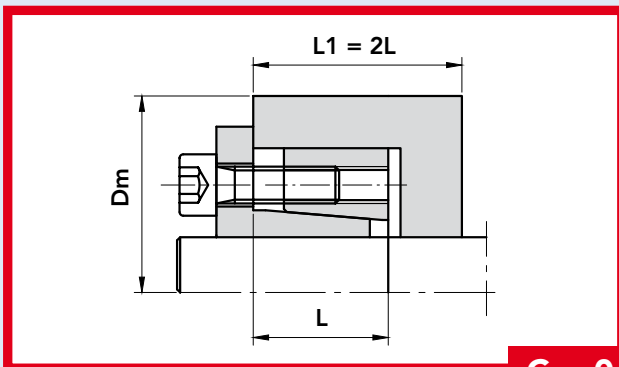
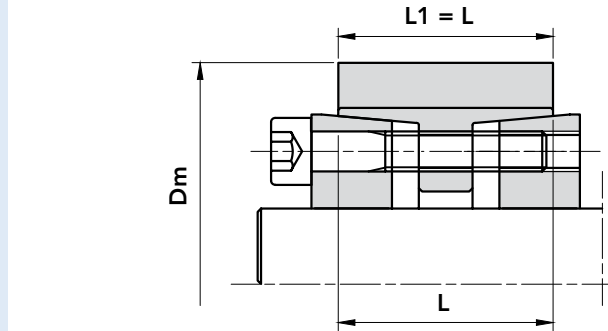
**Rs 0.2** = Carico di snervamento per allungamento permanente dello 0.2% (N/mm<sup>2</sup>)

**Pm** = Pressione specifica esercitata dal calettatore sul mozzo (N/mm<sup>2</sup>)

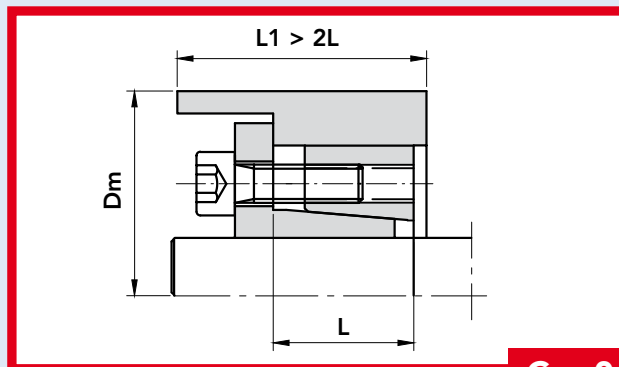
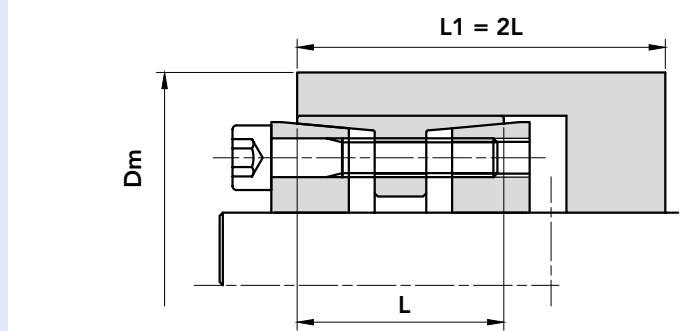
**C** = Coefficiente di utilizzazione in funzione del profilo del mozzo (Vedi figure sotto).



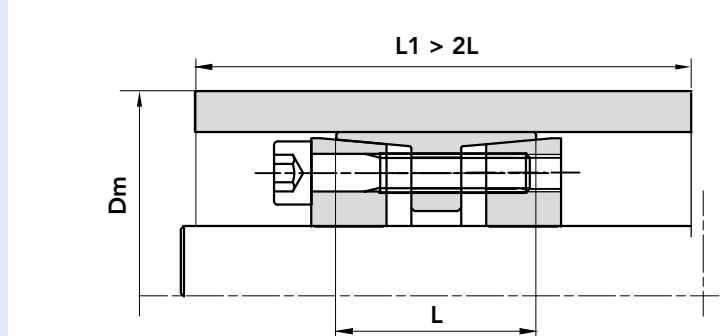
**C = 1**



**C = 0.8**



**C = 0.6**







# CALETTATORI DI BLOCCAGGIO PER ATTRITO

Il sistema di bloccaggio tramite calettamento per attrito rende solidale all'albero uno o più organi che permettono di trasmettere il moto o sopportare una spinta radiale.

L'accoppiamento per attrito permette l'eliminazione dei giochi conferendo una maggior precisione di rotazione alla parte calettata senza esigere tolleranze strette diametrali.

Mediante i coni di spinta viene sviluppata una pressione tra albero e mozzo che permette di fissare in modo sicuro pulegge, ingranaggi, ruote per catene, tamburi, volani, ecc.

La facilità di montaggio e smontaggio offre all'utilizzatore la possibilità di ottimizzare l'assemblaggio e di ridurre i costi del medesimo.

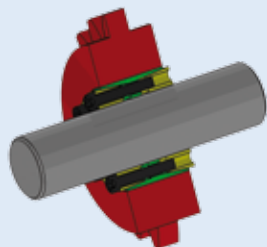
La ditta Chiaravalli Group S.p.A. mette a disposizione della propria clientela diversi tipi di calettatori che consentono di coprire una vasta gamma di applicazioni.



## AUTOCENTRANTE

Adatto per assemblaggi dove siano richiesti gravosi carichi di trasmissione. Raggruppa in sé le migliori caratteristiche di tutte le tipologie di calettatori.

Lavora con valori di coppia molto elevati.

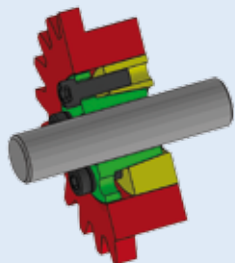


**RCK 11**

## AUTOCENTRANTE

Adatto per assemblaggi dove sia richiesta buona concentricità in piccoli spazi con valori di coppia medio alti.

Può sostituire in alcuni casi RCK 40.

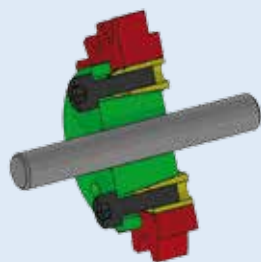


**RCK 13**

## AUTOCENTRANTE

Adatto per assemblaggi dove sia richiesta precisione di posizionamento assiale e radiale con valori di coppia medio alti.

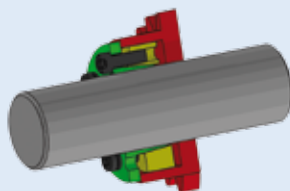
Caratteristica principale è la possibilità di variare i fori interni mantenendo costanti i diametri esterni.



**RCK 15**

## AUTOCENTRANTE

Adatto per assemblaggi dove sia richiesta concentricità e precisione di posizionamento. Lavora con valori di coppia medio alti.



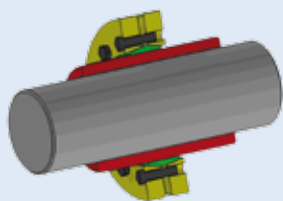
**RCK 16**





# CALETTATORI DI BLOCCAGGIO PER ATTRITO

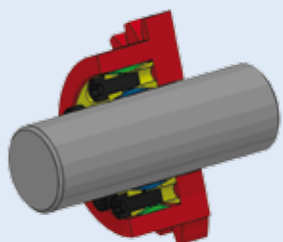
CALETTATORI DI BLOCCAGGIO PER ATTRITO



**RCK 19**

## AUTOCENTRANTE

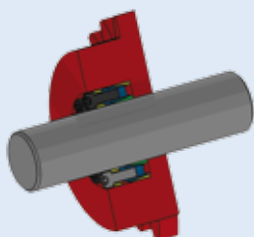
Adatto per alberi cavi, agisce comprimendo l'albero cavo sull'albero pieno consentendo la trasmissione di momenti torcenti medio alti.



**RCK 40**

## NON AUTOCENTRANTE

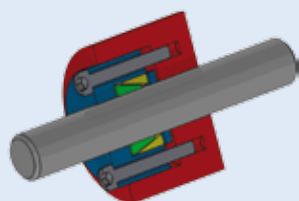
Adatto per usi generici, non è autocentrante, per questo richiede una fascia di centraggio per garantire una buona concentricità. Lavora con valori di coppia medio alti.



**RCK 45**

## NON AUTOCENTRANTE

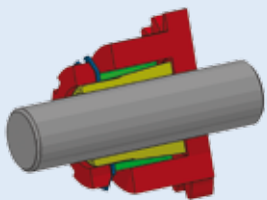
Adatto per applicazioni dove siano richiesti momenti torcenti medio bassi, con facilità di montaggio e smontaggio rapido. Non è autocentrante.



**RCK 50**

## NON AUTOCENTRANTE

Composto da due anelli conici, deve essere sempre montato con una flangia di serraggio. Lavora con valori di coppia bassi, non è autocentrante.



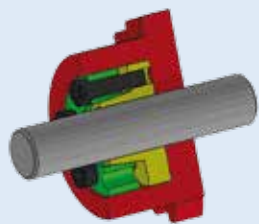
**RCK 55**

## AUTOCENTRANTE

Adatto per montaggi dove siano richiesti ingombri contenuti. Lavora con valori di coppia medio bassi.



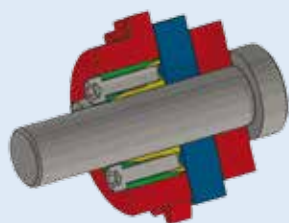
# CALETTATORI DI BLOCCAGGIO PER ATTRITO



**RCK 60**

## AUTOCENTRANTE

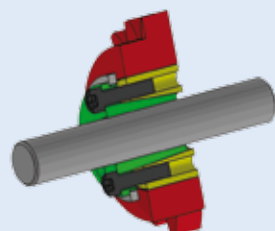
Adatto per assemblaggi dove sia richiesto un momento torcente medio alto.  
Lavora in modo opposto al modello RCK 13.



**RCK 61**

## AUTOCENTRANTE

Permette di bloccare elementi contigui al mozzo, grazie ad una forza assiale che si ottiene durante il bloccaggio.  
Lavora con valori di coppia medi.

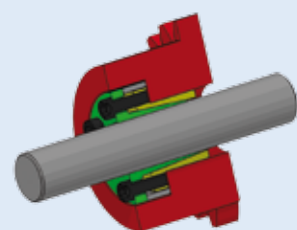


**RCK 70-71**

## AUTOCENTRANTE (RCK 70 con distanziale)

RCK 70 è adatto per assemblaggi dove sia richiesta concentricità e ortogonalità delle parti.

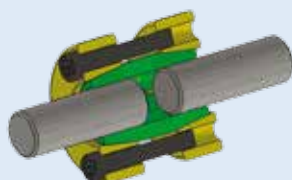
L'RCK 71, ha le stesse caratteristiche dell'RCK 70 a cui è stato aggiunto l'anello di spallamento per eliminare totalmente eventuali spostamenti assiali. Lavorano con valori di coppia medio alti.



**RCK 80**

## AUTOCENTRANTE

Adatto per assemblaggi su mozzi con pareti sottili.  
Garantisce precisione di posizionamento sia assiale che radiale con valori medi di coppia trasmissibili.

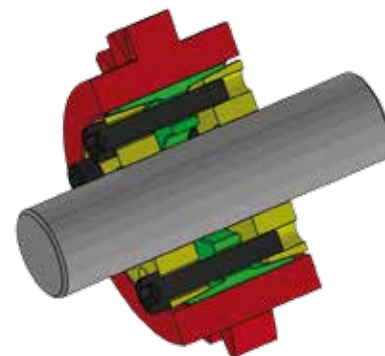
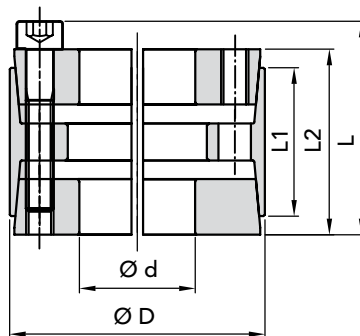


**RCK 95**

Permette il collegamento rigido fra due alberi sullo stesso asse.  
Trasmette momenti torcenti medio alti con il vantaggio di un rapido montaggio e smontaggio.


**AUTOCENTRANTE**

 LE TOLLERANZE DI LAVORAZIONE  
 DIAMETRALI CONSIGLIATE SONO:

**ALBERO Ø h 8**
**MOZZO Ø H 8**


CODICE	DIMENSIONI					coppia max Mt Nm	PRESSIONI			VITI BLOCCAGGIO DIN 912 MAT. 12.9		FILETTO DI ESTRAZIONE		PESO Kg
	Ød	ØD	L1	L2	L		Albero N/mm <sup>2</sup>	Mozzo N/mm <sup>2</sup>	N°	Tipo	Coppia Nm	Tipo	N°	
06110025	25	55	32	40	46	840	295	134	6	M6x35	17	M6	3	0,50
06110028	28	55	32	40	46	940	264	134	6	M6x35	17	M6	3	0,60
06110030	30	55	32	40	46	1000	246	134	6	M6x35	17	M6	3	0,60
06110035	35	60	44	54	60	1360	174	101	7	M6x45	17	M6	3	0,70
06110038	38	75	44	54	62	2740	296	150	7	M8x50	41	M8	3	0,70
06110040	40	75	44	54	62	2880	281	150	7	M8x50	41	M8	3	0,70
06110042	42	75	44	54	62	3030	268	150	7	M8x50	41	M8	3	1,00
06110045	45	75	44	54	62	3240	250	150	7	M8x50	41	M8	3	0,90
06110048	48	80	56	64	72	3950	207	124	8	M8x50	41	M8	3	1,40
06110050	50	80	56	64	72	4150	200	98	8	M8x50	41	M8	3	1,30
06110055	55	85	56	64	72	5150	205	104	9	M8x50	41	M8	3	1,50
06110060	60	90	56	64	72	6200	202	106	10	M8x50	41	M8	4	1,60
06110065	65	95	56	64	72	6750	187	100	10	M8x50	41	M8	4	1,80
06110070	70	110	70	78	88	11500	223	114	10	M10x60	83	M10	4	3,00
06110075	75	115	70	78	88	12300	223	114	10	M10x60	83	M10	4	3,30
06110080	80	120	70	78	88	14500	215	115	11	M10x60	83	M10	4	3,50
06110085	85	125	70	78	88	15400	215	115	12	M10x60	83	M10	5	3,70
06110090	90	130	70	78	88	17800	208	115	12	M10x60	83	M10	5	3,80
06110095	95	135	70	78	88	18700	208	115	12	M10x60	83	M10	5	5,00
06110100	100	145	90	100	112	26300	200	107	11	M12x80	145	M12	4	6,00
06110110	110	155	90	100	112	31800	198	110	12	M12x80	145	M12	5	6,20
06110120	120	165	90	100	112	40400	212	120	14	M12x80	145	M12	5	7,20
06110130	130	180	104	116	130	51500	192	112	12	M14x90	230	M14	5	10,00
06110140	140	190	104	116	130	64700	208	124	14	M14x90	230	M14	7	10,20
06110150	150	200	104	116	130	74200	208	127	15	M14x90	230	M14	6	10,80
06110160	160	210	104	116	130	84500	208	128	16	M14x90	230	M14	7	11,50
06110170	170	225	134	148	164	108200	182	113	14	M16x110	355	M16	6	17,00
06110180	180	235	134	148	164	123250	184	115	15	M16x110	355	M16	7	17,50
06110190	190	250	134	148	164	133800	186	116	16	M16x110	355	M16	7	21,50
06110200	200	260	134	148	164	146000	177	112	16	M16x110	355	M16	7	22,00
06110220	220	285	134	148	164	181000	188	115	18	M16x110	355	M16	8	25,00
06110240	240	305	134	148	164	218000	184	119	20	M16x110	355	M16	9	27,00
06110260	260	325	134	148	164	250000	178	117	21	M16x110	355	M16	10	30,00
06110280	280	355	165	177	197	360000	185	117	18	M20x130	690	M20	8	46,00
06110300	300	375	165	177	197	428000	192	123	20	M20x130	690	M20	9	50,00

Esempio di ordinazione:

 Albero con Ød 45 con un valore di coppia  
 uguale a 3240 Nm si chiederà:

**RCK 11 - 45 x 75**
**Codice 06110045**

Simulazione 3D disponibile sul sito web.

 Disegni CAD disponibili sul sito  
[www.chiaravalli.com](http://www.chiaravalli.com)

 Quantità, disponibilità e prezzi  
 con B2B Chiaravalli

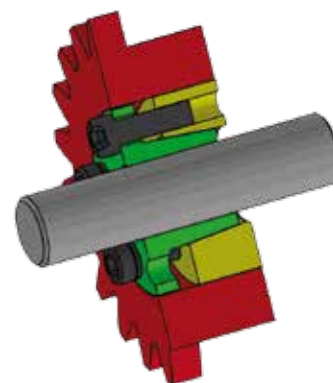
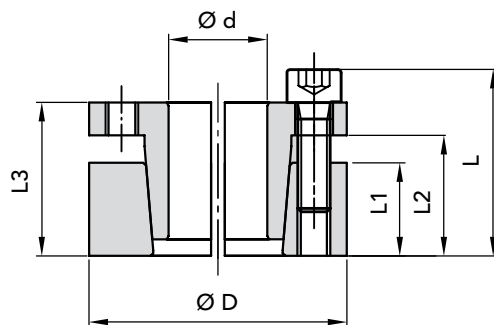



## AUTOCENTRANTE

LE TOLLERANZE DI LAVORAZIONE  
DIAMETRALI CONSIGLIATE SONO:

**ALBERO  $\varnothing h 8$**

**MOZZO  $\varnothing H 8$**



CODICE	DIMENSIONI						coppia max Mt Nm	PRESSIONI		VITI BLOCCAGGIO DIN 912 MAT. 12.9			FILETTO DI ESTRAZIONE		PESO Kg
	$\varnothing d$	$\varnothing D$	L1	L2	L3	L		Albero N/mm <sup>2</sup>	Mozzo N/mm <sup>2</sup>	N.	Tipo	Coppia Nm	Tipo	N.	
06130018	18	47	17	22	28	34	310	314	120	5	M6x20	14	M6	3	0,30
06130019	19	47	17	22	28	34	330	300	120	5	M6x20	14	M6	3	0,30
06130020	20	47	17	22	28	34	380	295	125	5	M6x20	14	M6	3	0,30
06130022	22	47	17	22	28	34	410	270	125	5	M6x20	14	M6	3	0,30
06130024	24	50	17	22	28	34	440	243	120	6	M6x20	14	M6	3	0,30
06130025	25	50	17	22	28	34	560	285	140	6	M6x20	14	M6	3	0,30
06130028	28	55	17	22	28	34	630	255	130	6	M6x20	14	M6	3	0,40
06130030	30	55	17	22	28	34	660	235	130	6	M6x20	14	M6	3	0,30
06130032	32	60	17	22	28	34	960	295	155	8	M6x20	14	M6	4	0,40
06130035	35	60	17	22	28	34	1050	270	155	8	M6x20	14	M6	4	0,40
06130038	38	65	17	22	28	34	1140	250	145	8	M6x20	14	M6	4	0,40
06130040	40	65	17	22	28	34	1200	235	145	8	M6x20	14	M6	4	0,40
06130045	45	75	20	25	33	41	2180	290	170	7	M8x25	35	M8	3	0,60
06130050	50	80	20	25	33	41	2430	260	160	7	M8x25	35	M8	3	0,80
06130055	55	85	20	25	33	41	3070	270	175	8	M8x25	35	M8	4	0,80
06130060	60	90	20	25	33	41	3350	245	165	8	M8x25	35	M8	4	0,80
06130065	65	95	20	25	33	41	4080	255	175	9	M8x25	35	M8	3	0,90
06130070	70	110	24	30	40	50	6280	280	180	8	M10x30	70	M10	4	1,59
06130075	75	115	24	30	40	50	6680	260	170	8	M10x30	70	M10	4	1,80
06130080	80	120	24	30	40	50	7130	250	160	8	M10x30	70	M10	4	1,80
06130085	85	125	24	30	40	50	8480	260	180	9	M10x30	70	M10	3	2,00
06130090	90	130	24	30	40	50	9080	250	170	9	M10x30	70	M10	3	2,10
06130095	95	135	24	30	40	50	10580	260	180	10	M10x30	70	M10	4	2,10
06130100	100	145	26	32	44	56	13380	270	190	8	M12x35	125	M12	4	2,80
06130110	110	155	26	32	44	56	14580	240	180	8	M12x35	125	M12	4	3,00
06130120	120	165	26	32	44	56	17880	250	180	9	M12x35	125	M12	4	3,20
06130130	130	180	34	40	52	64	26000	240	170	12	M12x35	125	M12	6	4,80
06130140	140	190	34	40	54	68	26980	210	150	9	M14x40	190	M14	4	5,20
06130150	150	200	34	40	54	68	32980	230	170	10	M14x40	190	M14	5	5,40
06130160	160	210	34	40	54	68	37980	230	170	11	M14x40	190	M14	4	5,70
06130170	170	225	44	50	64	78	44980	180	130	12	M14x40	190	M14	6	8,00
06130180	180	235	44	50	64	78	46980	170	130	12	M14x40	190	M14	6	0,30

Esempio di ordinazione:

Albero con  $\varnothing d$  30 con un valore di coppia uguale a 660 Nm si chiederà:

**RCK 13 - 30 x 55**

**Codice 06130030**

Simulazione 3D disponibile sul sito web.

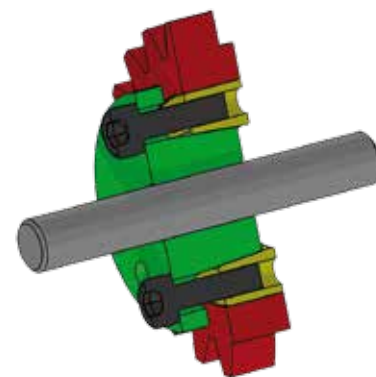
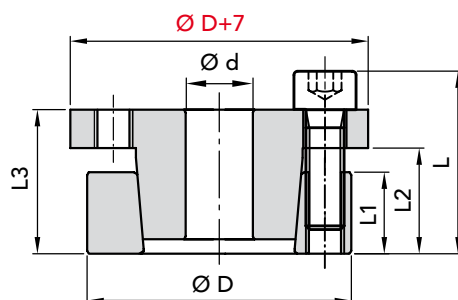
Disegni CAD disponibili sul sito  
[www.chiaravalli.com](http://www.chiaravalli.com)

Quantità, disponibilità e prezzi  
con B2B Chiaravalli




**AUTOCENTRANTE**

 LE TOLLERANZE DI LAVORAZIONE  
 DIAMETRALI CONSIGLIATE SONO:

**ALBERO Ø h 8**
**MOZZO Ø H 8**


CODICE	DIMENSIONI						coppia max Mt Nm	PRESSIONI		VITI BLOCCAGGIO DIN 912 MAT. 12.9			FILETTO DI ESTRAZIONE		PESO Kg
	Ød	ØD	L1	L2	L3	L		Albero N/mm <sup>2</sup>	Mozzo N/mm <sup>2</sup>	N°	Ø x L	Coppia Max Nm	Ø	N°	
06150014	14	55	17	22	31	39	290	458	118	4	M8x25	41	M8	2	0,50
06150016	16	55	17	22	31	39	320	400	118	4	M8x25	41	M8	2	0,50
06150018	18	55	17	22	31	39	360	356	118	4	M8x25	41	M8	2	0,50
06150019	19	55	17	22	31	39	380	337	118	4	M8x25	41	M8	2	0,50
06150020	20	55	17	22	31	39	400	320	118	4	M8x25	41	M8	2	0,50
06150022	22	55	17	22	31	39	440	290	118	4	M8x25	41	M8	2	0,50
06150024	24	55	17	22	31	39	480	265	118	4	M8x25	41	M8	2	0,50
06150025	25	55	17	22	31	39	500	255	118	4	M8x25	41	M8	2	0,50
06150028	28	55	17	22	31	39	560	228	118	4	M8x25	41	M8	2	0,40
06150030	30	55	17	22	31	39	600	213	118	4	M8x25	41	M8	2	0,40
06151024	24	65	17	22	31	39	620	332	122	5	M8x25	41	M8	3	0,70
06151025	25	65	17	22	31	39	640	320	122	5	M8x25	41	M8	3	0,70
06151028	28	65	17	22	31	39	720	285	122	5	M8x25	41	M8	3	0,60
06151030	30	65	17	22	31	39	770	267	122	5	M8x25	41	M8	3	0,60
06151032	32	65	17	22	31	39	820	250	122	5	M8x25	41	M8	3	0,60
06151033	33	65	17	22	31	39	850	235	122	5	M8x25	41	M8	3	0,60
06151035	35	65	17	22	31	39	900	228	122	5	M8x25	41	M8	3	0,50
06151038	38	65	17	22	31	39	980	210	122	5	M8x25	41	M8	3	0,50
06151040	40	65	17	22	31	39	1030	200	122	5	M8x25	41	M8	3	0,50
06152030	30	80	20	25	33	41	1080	315	120	7	M8x25	41	M8	3	1,00
06152032	32	80	20	25	33	41	1150	298	120	7	M8x25	41	M8	3	1,00
06152033	33	80	20	25	33	41	1200	282	120	7	M8x25	41	M8	3	1,00
06152035	35	80	20	25	33	41	1260	272	120	7	M8x25	41	M8	3	1,00
06152038	38	80	20	25	33	41	1370	250	120	7	M8x25	41	M8	3	1,00
06152040	40	80	20	25	33	41	1440	238	120	7	M8x25	41	M8	3	0,90
06152042	42	80	20	25	33	41	1510	226	120	7	M8x25	41	M8	3	0,90
06152045	45	80	20	25	33	41	1620	212	120	7	M8x25	41	M8	3	0,80
06152048	48	80	20	25	33	41	1730	198	120	7	M8x25	41	M8	3	0,80
06152050	50	80	20	25	33	41	1800	190	120	7	M8x25	41	M8	3	0,80
06153040	40	80	20	25	33	41	2150	340	169	10	M8x25	41	M8	4	0,95
06153045	45	80	20	25	33	41	2420	302	169	10	M8x25	41	M8	4	0,85
06153050	50	80	20	25	33	41	2700	272	169	10	M8x25	41	M8	4	0,85

Esempio di ordinazione:

 Albero con Ød 40 con un valore di coppia  
 uguale a 1.030 Nm si chiederà:

**RCK 15 - 40 x 65**
**Codice 06151040**

Simulazione 3D disponibile sul sito web.


 Disegni CAD disponibili sul sito  
[www.chiaravalli.com](http://www.chiaravalli.com)

 Quantità, disponibilità e prezzi  
 con B2B Chiaravalli





# CALETTATORI DI BLOCCAGGIO TIPO RCK 16

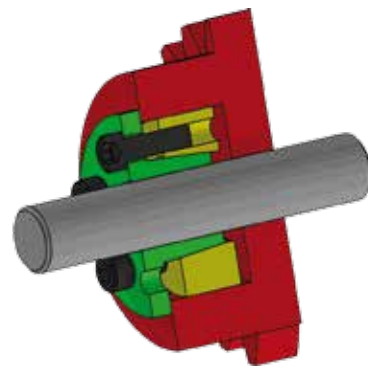
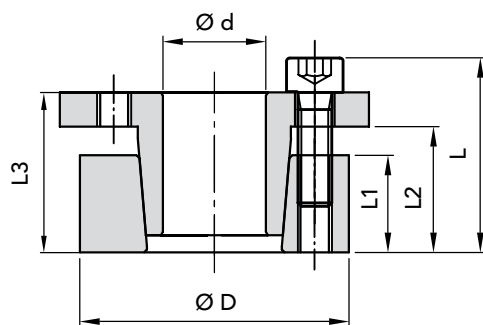
9

## AUTOCENTRANTE

LE TOLLERANZE DI LAVORAZIONE  
DIAMETRALI CONSIGLIATE SONO:

**ALBERO  $\varnothing h 8$**

**MOZZO  $\varnothing H 8$**



CALETTATORI DI BLOCCAGGIO TIPO RCK 16

### DIMENSIONI

CODICE	Ød	ØD	L1	L2	L3	L	coppia max Mt Nm	PRESSIONI		VITI BLOCCAGGIO DIN 912 MAT. 12.9			FILETTO DI ESTRAZIONE		PESO Kg
								Albero N/mm <sup>2</sup>	Mozzo N/mm <sup>2</sup>	N.	Tipo	Coppia Nm	Tipo	N.	
06160018	18	47	17	22	28	34	260	240	93	5	M6x20	17	M6	3	0,30
06160019	19	47	17	22	28	34	270	230	93	5	M6x20	17	M6	3	0,30
06160020	20	47	17	22	28	34	280	220	95	5	M6x20	17	M6	3	0,30
06160022	22	47	17	22	28	34	300	200	95	5	M6x20	17	M6	3	0,30
06160024	24	50	17	22	28	34	400	215	107	6	M6x20	17	M6	3	0,30
06160025	25	50	17	22	28	34	420	210	105	6	M6x20	17	M6	3	0,30
06160028	28	55	17	22	28	34	470	190	96	6	M6x20	17	M6	3	0,40
06160030	30	55	17	22	28	34	500	180	95	6	M6x20	17	M6	3	0,40
06160032	32	60	17	22	28	34	720	220	115	8	M6x20	17	M6	4	0,40
06160035	35	60	17	22	28	34	790	200	115	8	M6x20	17	M6	4	0,40
06160038	38	65	17	22	28	34	850	185	105	8	M6x20	17	M6	4	0,50
06160040	40	65	17	22	28	34	900	175	105	8	M6x20	17	M6	4	0,50
06160045	45	75	20	25	33	41	1620	215	125	7	M8x25	41	M8	3	0,70
06160050	50	80	20	25	33	41	1820	195	120	7	M8x25	41	M8	3	0,80
06160055	55	85	20	25	33	41	2300	200	130	8	M8x25	41	M8	4	0,90
06160060	60	90	20	25	33	41	2500	185	125	8	M8x25	41	M8	4	0,90
06160065	65	95	20	25	33	41	3050	190	130	9	M8x25	41	M8	3	1,00
06160070	70	110	24	30	40	50	4660	210	135	8	M10x30	83	M10	4	1,90
06160075	75	115	24	30	40	50	5000	195	125	8	M10x30	83	M10	4	2,00
06160080	80	120	24	30	40	50	5300	185	125	8	M10x30	83	M10	4	2,00
06160085	85	125	24	30	40	50	6350	195	135	9	M10x30	83	M10	3	2,00
06160090	90	130	24	30	40	50	6760	185	130	9	M10x30	83	M10	3	2,20
06160095	95	135	24	30	40	50	7900	195	135	10	M10x30	83	M10	4	2,30
06160100	100	145	26	32	44	56	9700	200	140	8	M12x35	145	M12	4	3,00
06160110	110	155	26	32	44	56	10600	180	130	8	M12x35	145	M12	4	3,20
06160120	120	165	26	32	44	56	13000	185	135	9	M12x35	145	M12	4	3,40
06160130	130	180	34	40	52	64	18900	175	125	12	M12x35	145	M12	6	5,20
06160140	140	190	34	40	54	68	20600	165	120	9	M14x40	230	M14	4	5,40
06160150	150	200	34	40	54	68	25100	175	130	10	M14x40	230	M14	5	5,70
06160160	160	210	34	40	54	68	29100	180	135	11	M14x40	230	M14	4	6,00
06160170	170	225	44	50	64	78	34100	140	105	12	M14x40	230	M14	6	8,30
06160180	180	235	44	50	64	78	36100	135	105	12	M14x40	230	M14	6	8,80

Esempio di ordinazione:

Albero con  $\varnothing d 75$  con un valore di coppia  
uguale a 5000 Nm si chiederà:

**RCK 16 - 75 x 115**

**Codice 06160075**

Simulazione 3D disponibile sul sito web.

Disegni CAD disponibili sul sito  
[www.chiaravalli.com](http://www.chiaravalli.com)

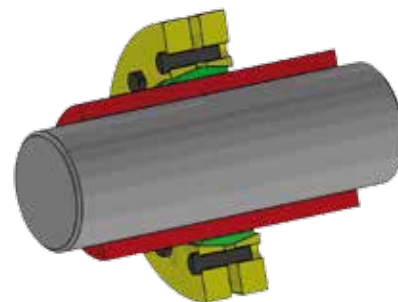
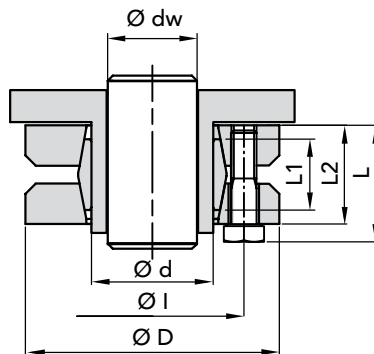
Quantità, disponibilità e prezzi  
con B2B Chiaravalli




**AUTOCENTRANTE**

 LE TOLLERANZE DI LAVORAZIONE  
 DIAMETRALI CONSIGLIATE SONO:

**DIAMETRO  $\varnothing d$  h 8**
**IMPORTANTE:**

 I CONI INTERNI SONO LUBRIFICATI  
 CON PRODOTTI A BASE DI  
 BISOLFLURO DI MOLIBDENO


CODICE	DIMENSIONI							$\varnothing l$	$\varnothing dw$ ( $dw-d1$ )	coppia max Mt Nm	PRESSIONI Albero N/mm <sup>2</sup>	VITI BLOCCAGGIO DIN 931 MAT. 10.9		PESO Kg
	$\varnothing d$	$\varnothing D$	$\varnothing dw$	L1	L2	L	N.					Tipo	Coppia Nm	
06190024	24	50	19 20 21	14	19,5	23	36	0,017	170 210 250	286	6	M5x18	4	0,20
06190030	30	60	24 25 26	16	21,5	25	44	0,017	300 340 380	233	7	M5x18	4	0,30
06190036	36	72	28 30 31	18	23,5	27,5	52	0,032	440 570 630	307	5	M6x20	12	0,40
06190044	44	80	32 35 36	20	25,5	29,5	61	0,032	620 780 860	317	7	M6x20	12	0,60
06190050	50	90	38 40 42	22	27,5	31,5	70	0,032	940 1160 1380	289	8	M6x25	12	0,80
06190055	55	100	42 45 48	23	30,5	34,5	75	0,032	1160 1520 1880	252	8	M6x25	12	1,10
06190062	62	110	48 50 52	23	30,5	34,5	86	0,048	1850 2200 2400	279	10	M6x25	12	1,30
06190068	68	115	50 55 60	23	30,5	34,5	86	0,048	2000 2500 3150	255	10	M6x25	12	1,40
06190075	75	138	55 60 65	25	32,5	37,8	100	0,048	2500 3200 3950	273	7	M8x30	30	1,70
06190080	80	145	60 65 70	25	32,5	37,8	100	0,048	3200 3900 4600	256	7	M8x30	30	1,90
06190090	90	155	65 70 75	30	39	44,3	114	0,048	4750 6000 7250	271	10	M8x35	30	3,30
06190100	100	170	70 75 80	34	44	49,3	124	0,048	6900 7500 9000	258	12	M8x35	30	4,70
06190110	110	185	75 80 85	39	50	56,4	136	0,048	7200 9000 10800	244	9	M10x40	59	5,90
06190125	125	215	85 90 95	42	54	60,4	160	0,069	11000 13000 15000	266	12	M10x40	59	8,30
06190140	140	230	95 100 105	46	60,5	68	175	0,069	15100 17600 20100	264	10	M12x45	100	10,0
06190155	155	265	105 110 115	50	64,5	72	192	0,069	22000 25000 28000	263	12	M12x50	100	15,0
06190165	165	290	115 120 125	56	71	81	210	0,069	31000 35000 39000	277	8	M16x55	250	22,0
06190175	175	300	125 130 135	56	71	81	220	0,079	36000 41000 45000	261	8	M16x55	250	22,0
06190185	185	330	135 140 145	71	86	96	236	0,09	52000 57000 62000	237	10	M16x70	250	24,0

Esempio di ordinazione:

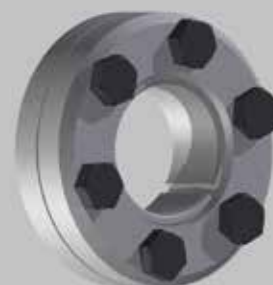
 Albero con  $\varnothing d$  36 con un valore di coppia  
 uguale a 440 Nm si chiederà:

**RCK 19 - 36 x 72**
**Codice 06190036**

Simulazione 3D disponibile sul sito web.

Disegni CAD disponibili sul sito

[www.chiaravalli.com](http://www.chiaravalli.com)

 Quantità, disponibilità e prezzi  
 con B2B Chiaravalli


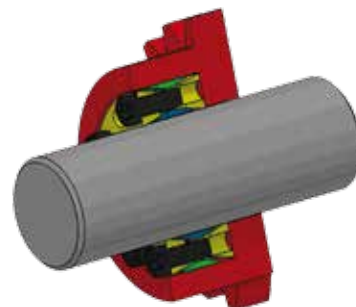
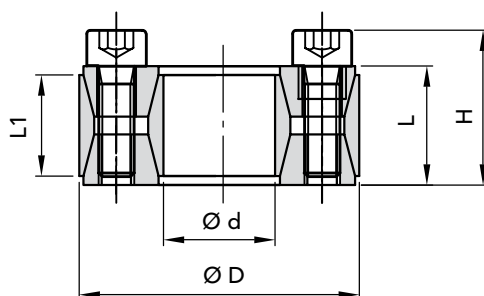


## NON AUTOCENTRANTE

LE TOLLERANZE DI LAVORAZIONE  
DIAMETRALI CONSIGLIATE SONO:

**ALBERO  $\varnothing h 8$**

**MOZZO  $\varnothing H 8$**



### DIMENSIONI

CODICE	Ød	ØD	L1	L	H	coppia max Mt Nm	PRESSIONI		VITI BLOCCAGGIO DIN 912 MAT. 12.9			FILETTO DI ESTRAZIONE		PESO Kg
							Albero N/mm <sup>2</sup>	Mozzo N/mm <sup>2</sup>	N.	Tipo	Coppia Nm	Tipo	N.	
06400019	19	47	17	20	28	255	220	90	8	M6x18	14	M8	2	0,25
06400020	20	47	17	20	28	270	210	90	8	M6x18	14	M8	2	0,24
06400022	22	47	17	20	28	300	195	90	8	M6x18	14	M8	2	0,23
06400024	24	50	17	20	28	360	195	95	9	M6x18	14	M8	3	0,26
06400025	25	50	17	20	28	380	190	95	9	M6x18	14	M8	3	0,25
06400028	28	55	17	20	28	500	187	96	10	M6x18	14	M8	4	0,30
06400030	30	55	17	20	28	530	176	96	10	M6x18	14	M8	4	0,29
06400032	32	60	17	20	28	630	192	105	12	M6x18	14	M8	4	0,30
06400035	35	60	17	20	28	700	180	105	12	M6x18	14	M8	4	0,32
06400038	38	65	17	20	28	860	183	107	14	M6x18	14	M8	4	0,36
06400040	40	65	17	20	28	910	180	110	14	M6x18	14	M8	4	0,34
06400042	42	75	20	24	34	1500	226	125	12	M8x22	35	M10	4	0,48
06400045	45	75	20	24	34	1610	210	125	12	M8x22	35	M10	4	0,57
06400048	48	80	20	24	34	1700	196	115	12	M8x22	35	M10	4	0,59
06400050	50	80	20	24	34	1770	190	115	12	M8x22	35	M10	4	0,60
06400055	55	85	20	24	34	2270	200	130	14	M8x22	35	M10	4	0,63
06400060	60	90	20	24	34	2470	180	120	14	M8x22	35	M10	4	0,69
06400065	65	95	20	24	34	3040	190	130	16	M8x22	35	M12	4	0,73
06400070	70	110	24	28	40	4600	210	130	14	M10x25	70	M12	4	1,26
06400075	75	115	24	28	40	4900	195	125	14	M10x25	70	M12	4	1,33
06400080	80	120	24	28	40	5200	180	120	14	M10x25	70	M12	4	1,40
06400085	85	125	24	28	40	6300	195	130	16	M10x25	70	M12	4	1,49
06400090	90	130	24	28	40	6600	180	125	16	M10x25	70	M12	4	1,53
06400095	95	135	24	28	40	7900	195	135	18	M10x25	70	M12	4	1,62
06400100	100	145	26	33	47	9600	195	135	14	M12x30	125	M14	4	2,01
06400110	110	155	26	33	47	10500	180	125	14	M12x30	125	M14	4	2,15
06400120	120	165	26	33	47	13100	185	135	16	M12x30	125	M14	4	2,35
06400130	130	180	34	38	52	17600	165	115	20	M12x35	125	M14	4	3,51
06400140	140	190	34	38	52	20900	165	125	22	M12x35	125	M14	4	3,85
06400150	150	200	34	38	52	24200	170	125	24	M12x35	125	M14	4	4,07
06400160	160	210	34	38	52	28000	170	130	26	M12x35	125	M14	4	4,30
06400170	170	225	38	44	60	32800	160	120	22	M14x40	190	M16	4	5,80
06400180	180	235	38	44	60	37800	165	125	24	M14x40	190	M16	4	6,00
06400190	190	250	46	52	68	46500	150	115	28	M14x45	190	M16	4	8,50
06400200	200	260	46	52	68	52500	150	115	30	M14x45	190	M16	5	8,60
06400220	220	285	50	56	74	68000	150	115	26	M16x50	295	M18	3	11,0

Esempio di ordinazione:

Albero con  $\varnothing d 75$  con un valore di coppia  
uguale a 4900 Nm si chiederà:

**RCK 40 - 75 x 115**

**Codice 06400075**

Disegni CAD disponibili sul sito  
[www.chiaravalli.com](http://www.chiaravalli.com)

**Quantità, disponibilità e prezzi  
con B2B Chiaravalli**



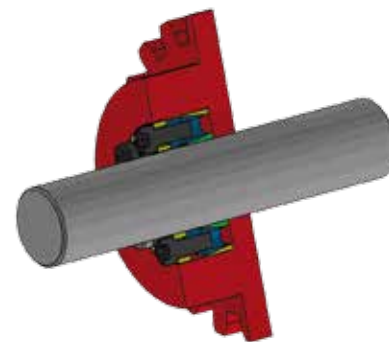
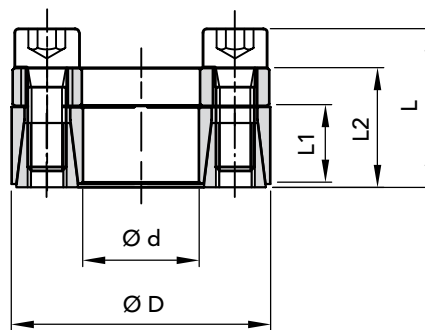


## NON AUTOCENTRANTE

LE TOLLERANZE DI LAVORAZIONE  
DIAMETRALI CONSIGLIATE SONO:

**ALBERO  $\varnothing h 8$**

**MOZZO  $\varnothing H 8$**



CODICE	DIMENSIONI					coppia max Mt Nm	PRESSIONI		VITI BLOCCAGGIO DIN 912 MAT. 12.9			FILETTO DI ESTRAZIONE		PESO Kg
	$\varnothing d$	$\varnothing D$	L1	L2	L		Albero N/mm <sup>2</sup>	Mozzo N/mm <sup>2</sup>	N.	Tipo	Coppia Nm	Tipo	N.	
06450018	18	40	12	18,5	24,5	190	260	120	6	M6x16	16	M8	2	0,2
06450019	19	41	12	18,5	24,5	210	260	120	6	M6x16	16	M8	2	0,25
06450020	20	42	12	18,5	24,5	240	250	120	6	M6x16	16	M8	2	0,24
06450024	24	46	12	18,5	24,5	290	250	120	6	M6x16	16	M8	2	0,25
06450025	25	47	12	18,5	24,5	330	230	120	8	M6x16	16	M8	2	0,25
06450028	28	50	12	18,5	24,5	370	220	120	8	M6x16	16	M8	2	0,30
06450030	30	52	12	18,5	24,5	430	210	120	8	M6x16	16	M8	2	0,30
06450035	35	57	15	22	28	610	170	100	12	M6x16	16	M8	3	0,32
06450038	38	60	15	22	28	680	170	100	12	M6x16	16	M8	3	0,36
06450040	40	62	15	22	28	780	170	100	12	M6x16	16	M8	3	0,40
06450042	42	70	18	28	36	1480	190	110	12	M8x22	41	M10	3	0,45
06450045	45	73	18	28	36	1500	210	130	12	M8x22	41	M10	3	0,57
06450048	48	76	18	28	36	1550	210	130	12	M8x22	41	M10	3	0,59
06450050	50	78	18	28	36	1650	190	120	12	M8x22	41	M10	3	0,61
06450055	55	83	18	28	36	2000	190	120	16	M8x22	41	M10	4	0,63
06450060	60	88	18	28	36	2350	190	120	16	M8x22	41	M10	4	0,69
06450070	70	105	22	35	35	3900	180	120	12	M10x25	70	M12	3	1,25
06450080	80	115	22	35	35	4800	170	120	16	M10x25	70	M12	4	1,40

Esempio di ordinazione:

Albero con  $\varnothing d 55$  con un valore di coppia  
uguale a 2000 Nm si chiederà:

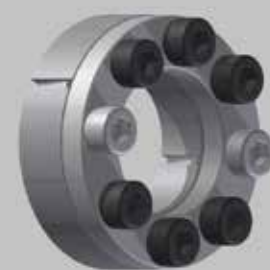
**RCK 45 - 55 x 83**

**Codice 06450055**

Simulazione 3D disponibile sul sito web.

Disegni CAD disponibili sul sito  
**[www.chiaravalli.com](http://www.chiaravalli.com)**

Quantità, disponibilità e prezzi  
con B2B Chiaravalli





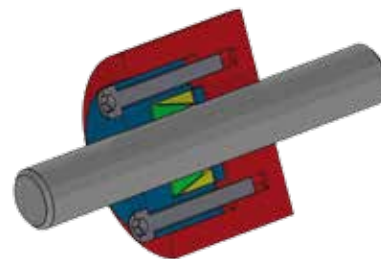
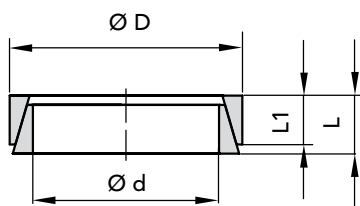
## NON AUTOCENTRANTE

LE TOLLERANZE DI LAVORAZIONE  
DIAMETRALI CONSIGLIATE SONO:

**ALBERO  $\varnothing h 8$**

**MOZZO  $\varnothing H 8$**

\* tagliati orizzontalmente



CODICE	DIMENSIONI				Forza necessaria Kg	coppia max Mt Nm	PRESSIONI		PESO Kg
	$\varnothing d$	$\varnothing D$	L1	L			Albero N/mm <sup>2</sup>	Mozzo N/mm <sup>2</sup>	
06500006	*6	9	3,7	4,5	380	2,4	115	75	0,01
06500007	*7	10	3,7	4,5	390	3,0	105	70	0,01
06500008	*8	11	3,7	4,5	530	4,7	120	90	0,01
06500009	9	12	3,7	4,5	1560	7,9	140	105	0,01
06500010	10	13	3,7	4,5	1560	9,5	135	105	0,01
06500012	12	15	3,7	4,5	1560	11,4	115	90	0,01
06500013	13	16	3,7	4,5	1560	13,1	110	90	0,01
06500014	14	18	5,3	6,3	2540	22,3	115	90	0,01
06500015	15	19	5,3	6,3	2540	24,3	110	85	0,01
06500016	16	20	5,3	6,3	2540	27,3	105	85	0,01
06500017	17	21	5,3	6,3	2540	29,8	105	85	0,01
06500018	18	22	5,3	6,3	2540	32,4	100	80	0,01
06500019	19	24	5,3	6,3	3600	49	140	110	0,01
06500020	20	25	5,3	6,3	3600	53	135	105	0,01
06500022	22	26	5,3	6,3	3600	66	135	115	0,01
06500024	24	28	5,3	6,3	3600	73	130	110	0,01
06500025	25	30	5,3	6,3	3600	72	115	95	0,01
06500028	28	32	5,3	6,3	3600	86	115	100	0,01
06500030	30	35	5,3	6,3	3600	91	100	85	0,01
06500032	32	36	5,3	6,3	4500	131	130	115	0,02
06500035	35	40	6	7	5400	171	125	110	0,02
06500036	36	42	6	7	5400	169	115	100	0,02
06500038	38	44	6	7	5400	181	110	95	0,02
06500040	40	45	6,6	8	6600	231	115	105	0,03
06500042	42	48	6,6	8	6600	235	110	95	0,04
06500045	45	52	8,6	10	9900	353	105	95	0,04
06500048	48	55	8,6	10	13200	572	155	135	0,05
06500050	50	57	8,6	10	13200	602	150	130	0,05
06500055	55	62	8,6	10	13200	670	140	125	0,06
06500056	56	64	10,4	12	15720	790	130	115	0,07
06500060	60	68	10,4	12	15720	860	125	110	0,07
06500063	63	71	10,4	12	15720	910	120	105	0,08
06500065	65	73	10,4	12	15720	950	115	100	0,08
06500070	70	79	12,2	14	20960	1380	125	110	0,11
06500071	71	80	12,2	14	20960	1400	120	110	0,12
06500075	75	84	12,2	14	20960	1450	115	100	0,12
06500080	80	91	15	17	29000	2200	125	105	0,20

Esempio di ordinazione:

Albero con  $\varnothing d$  24 con un valore di coppia uguale a 73 Nm si chiederà:

**RCK 50 - 24 x 28**

**Codice 06500024**

Simulazione 3D disponibile sul sito web.

Disegni CAD disponibili sul sito  
[www.chiaravalli.com](http://www.chiaravalli.com)

Quantità, disponibilità e prezzi  
con B2B Chiaravalli





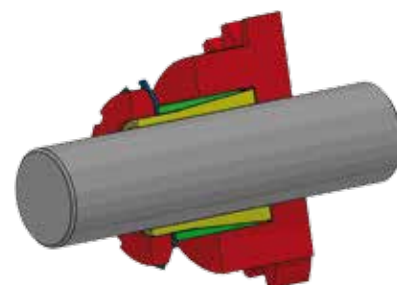
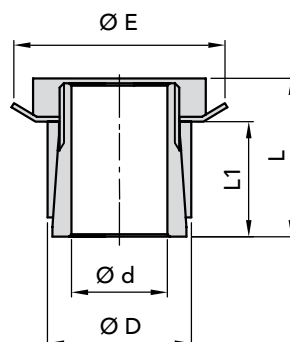


## AUTOCENTRANTE

LE TOLLERANZE DI LAVORAZIONE  
DIAMETRALI CONSIGLIATE SONO:

**ALBERO Ø h 8**

**MOZZO Ø H 8**



CODICE	DIMENSIONI					coppia max Mt Nm	PRESSIONI		Tipo	GHIERA		ROSETTA DI SICUREZZA Tipo	PESO Kg
	Ød	ØD	ØE	L1	L		Albero N/mm <sup>2</sup>	Mozzo N/mm <sup>2</sup>		Filettatura	coppia di serraggio Nm		
06550014	14	25	32	23	31	65	80	45	KM4	M20x1	95	MB4	0,10
06550015	15	25	32	23	31	70	80	45	KM4	M20x1	95	MB4	0,11
06550018	18	30	38	24	33	100	75	45	KM5	M25x1,5	160	MB5	0,13
06550019	19	30	38	24	33	105	75	45	KM5	M25x1,5	160	MB5	0,13
06550020	20	30	38	24	33	112	70	45	KM5	M25x1,5	160	MB5	0,15
06550024	24	35	45	29	38	178	65	45	KM6	M30x1,5	220	MB6	0,17
06550025	25	35	45	29	38	185	60	45	KM6	M30x1,5	220	MB6	0,17
06550028	28	40	52	34	44	250	55	40	KM7	M35x1,5	340	MB7	0,28
06550030	30	40	52	34	44	270	50	40	KM7	M35x1,5	340	MB7	0,26
06550035	35	45	58	34	45	390	55	45	KM8	M40x1,5	480	MB8	0,26
06550040	40	50	65	35	46	520	55	45	KM9	M45x1,5	680	MB9	0,33
06550045	45	55	70	35	47	680	60	50	KM10	M50x1,5	870	MB10	0,45
06550050	50	60	75	36	48	880	60	50	KM11	M55x2	970	MB11	0,66
06550055	55	65	80	36	48	1030	60	50	KM12	M60x2	970	MB12	0,72
06550060	60	70	85	36	50	1360	65	55	KM13	M65x2	1300	MB13	0,80

Esempio di ordinazione:

Albero con Ød 30 con un valore di coppia  
uguale a 270 Nm si chiederà:

**RCK 55 - 30 x 40**

**Codice 06550030**

Disegni CAD disponibili sul sito  
[www.chiaravalli.com](http://www.chiaravalli.com)

Simulazione 3D disponibile sul sito web.

Quantità, disponibilità e prezzi  
con B2B Chiaravalli



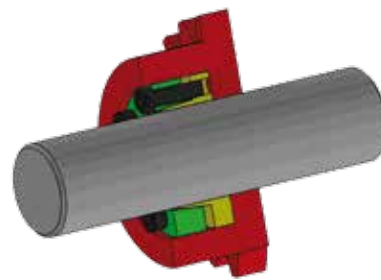
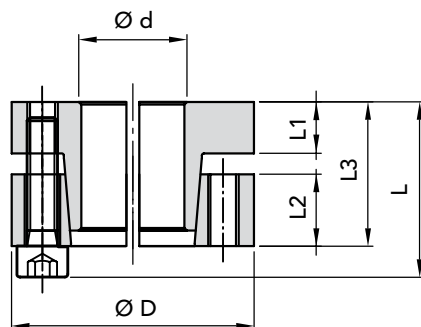


## AUTOCENTRANTE

LE TOLLERANZE DI LAVORAZIONE DIAMETRALI CONSIGLIATE SONO:

**ALBERO Ø h 8**

**MOZZO Ø H 8**



CODICE	DIMENSIONI						coppia max Mt Nm	Sforzo assiale N.	PRESSIONI		VITI BLOCCAGGIO DIN 912 MAT. 12.9			FILETTO DI ESTRAZIONE		PESO Kg
	Ød	ØD	L1	L2	L3	L			Albero N/mm <sup>2</sup>	Mozzo N/mm <sup>2</sup>	N.	Tipo	Coppia Nm	Tipo	N.	
06600020	20	47	10	14	28	34	245	29400	210	93	5	M6x25	17	M6	3	0,24
06600022	22	47	10	14	28	34	265	30000	196	93	5	M6x25	17	M6	3	0,23
06600024	24	50	10	14	28	34	370	32300	215	108	6	M6x25	17	M6	3	0,26
06600025	25	50	10	14	28	34	390	33300	210	108	6	M6x25	17	M6	3	0,25
06600030	30	55	10	14	28	34	480	41200	186	98	6	M6x25	17	M6	3	0,29
06600035	35	60	10	14	28	34	735	44100	186	108	8	M6x25	17	M6	4	0,32
06600038	38	65	10	14	28	34	790	46100	206	103	8	M6x25	17	M6	4	0,36
06600040	40	65	10	14	28	34	830	47000	186	103	8	M6x25	17	M6	4	0,34
06600042	42	75	12	18	35	43	1450	66000	225	132	7	M8x30	41	M8	4	0,48
06600045	45	75	12	18	35	43	1560	70000	220	132	7	M8x30	41	M8	4	0,57
06600050	50	80	12	18	35	43	1650	72000	206	127	7	M8x30	41	M8	4	0,60
06600055	55	85	12	18	35	43	2250	80000	210	132	8	M8x30	41	M8	4	0,63
06600060	60	90	12	18	35	43	2450	83000	186	122	8	M8x30	41	M8	4	0,69
06600065	65	95	12	18	35	43	2890	90000	200	132	9	M8x30	41	M8	3	0,73
06600070	70	110	16	24	46	56	4700	130000	220	140	8	M10x40	83	M10	4	1,26

Esempio di ordinazione:  
Albero con Ød 30 con un valore di coppia uguale a 480 Nm si chiederà:  
**RCK 60 - 30 x 55**  
**Codice 06600030**

*Simulazione 3D disponibile sul sito web.*

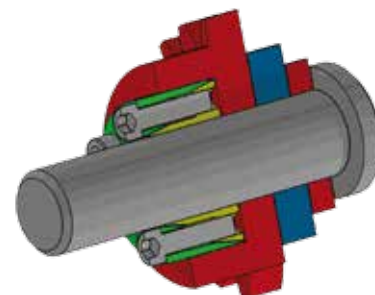
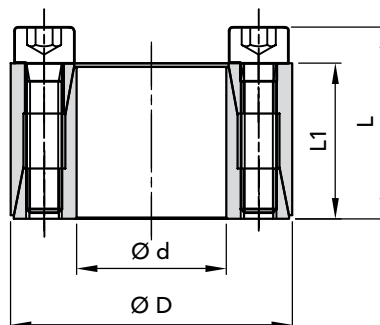


Disegni CAD disponibili sul sito  
[www.chiaravalli.com](http://www.chiaravalli.com)

**Quantità, disponibilità e prezzi con B2B Chiaravalli**


**AUTOCENTRANTE**

 LE TOLLERANZE DI LAVORAZIONE  
 DIAMETRALI CONSIGLIATE SONO:

**ALBERO Ø h 8**
**MOZZO Ø H 8**


CODICE	DIMENSIONI				coppia max Mt Nm	PRESSIONI		VITI BLOCCAGGIO DIN 912 MAT. 12.9			FILETTO DI ESTRAZIONE		PESO Kg
	Ød	ØD	L1	L		Albero N/mm <sup>2</sup>	Mozzo N/mm <sup>2</sup>	N.	Tipo	Coppia Nm	Tipo	N.	
06610010	10	20	13	15,5	15	110	55	4	M2,5x12	1,2	M2,5	2	0,02
06610012	12	22	13	15,5	20	90	50	4	M2,5x12	1,2	M2,5	2	0,02
06610014	14	26	17	20	35	105	55	4	M3x16	2,1	M3	2	0,04
06610015	15	28	17	20	40	100	50	4	M3x16	2,1	M3	2	0,04
06610016	16	32	17	21	70	130	65	4	M4x16	4,9	M4	2	0,07
06610018	18	35	21	25	80	115	60	4	M4x20	4,9	M4	2	0,09
06610019	19	35	21	25	85	110	60	4	M4x20	4,9	M4	2	0,08
06610020	20	38	21	26	220	220	115	6	M5x20	9,7	M5	3	0,10
06610022	22	40	21	26	240	200	110	6	M5x20	9,7	M5	3	0,11
06610024	24	47	26	32	380	220	110	6	M6x25	16,2	M6	3	0,20
06610025	25	47	26	32	390	210	110	6	M6x25	16,2	M6	3	0,19

Esempio di ordinazione:

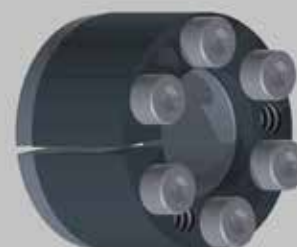
 Albero con Ød 15 con un valore di coppia  
 uguale a 40 Nm si chiederà:

**RCK 61 - 15 x 28**
**Codice 06610015**

Disegni CAD disponibili sul sito

[www.chiaravalli.com](http://www.chiaravalli.com)

Simulazione 3D disponibile sul sito web.


 Quantità, disponibilità e prezzi  
 con B2B Chiaravalli

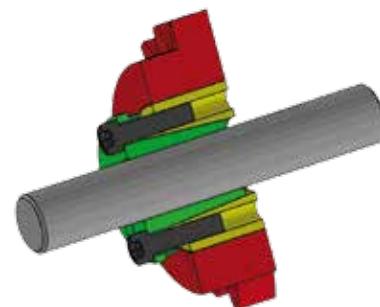
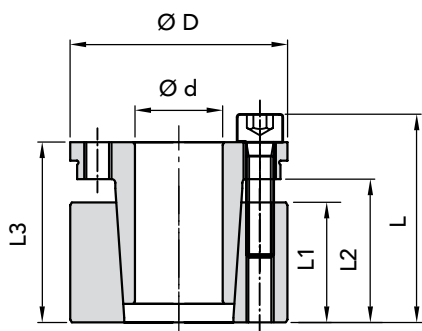


## AUTOCENTRANTE

LE TOLLERANZE DI LAVORAZIONE  
DIAMETRALI CONSIGLIATE SONO:

**ALBERO  $\varnothing h 8$**

**MOZZO  $\varnothing H 8$**



### DIMENSIONI

CODICE	$\varnothing d$	$\varnothing D$	L1	L2	L3	L	coppia max Mt Nm	PRESSIONI		VITI BLOCCAGGIO DIN 912 MAT. 12.9			FILETTO DI ESTRAZIONE		PESO Kg
								Albero N/mm <sup>2</sup>	Mozzo N/mm <sup>2</sup>	N.	Tipo	Coppia Nm	Tipo	N.	
06700019	19	47	26	31	39	45	350	228	98	4	M6x25	17	M6	2	0,39
06700020	20	47	26	31	39	45	390	231	100	4	M6x25	17	M6	2	0,38
06700022	22	47	26	31	39	45	440	220	95	4	M6x25	17	M6	2	0,37
06700024	24	50	26	31	39	45	519	215	102	6	M6x25	17	M6	3	0,43
06700025	25	50	26	31	39	45	590	230	105	6	M6x25	17	M6	3	0,42
06700028	28	55	26	31	39	45	700	220	110	6	M6x25	17	M6	3	0,55
06700030	30	55	26	31	39	45	760	200	120	6	M6x25	17	M6	3	0,56
06700032	32	60	26	31	39	45	930	230	114	8	M6x25	17	M6	4	0,60
06700035	35	60	26	31	39	45	1030	200	119	8	M6x25	17	M6	4	0,50
06700038	38	65	26	31	39	45	1240	210	124	8	M6x25	17	M6	4	0,60
06700040	40	65	26	31	39	45	1350	200	125	8	M6x25	17	M6	4	0,60
06700042	42	75	30	36	47	55	2170	236	140	6	M8x30	41	M8	3	1,00
06700045	45	75	30	36	47	55	2350	236	140	6	M8x30	41	M8	3	1,00
06700048	48	80	30	36	47	55	2510	218	135	6	M8x30	41	M8	3	1,10
06700050	50	80	30	36	47	55	2580	218	135	6	M8x30	41	M8	3	1,00
06700055	55	85	30	36	47	55	3200	223	145	8	M8x30	41	M8	4	1,10
06700060	60	90	30	36	47	55	3380	198	157	8	M8x30	41	M8	4	1,20
06700065	65	95	30	36	47	55	4160	213	140	8	M8x30	41	M8	4	1,30
06700070	70	110	40	46	57	67	6840	225	143	8	M10x35	83	M10	4	2,20
06700075	75	115	40	46	62	72	7500	210	138	8	M10x35	83	M10	4	2,50
06700080	80	120	40	46	62	72	8100	200	130	8	M10x35	83	M10	4	2,60
06700085	85	125	40	46	62	72	9700	210	145	10	M10x35	83	M10	4	2,80
06700090	90	130	40	46	62	72	10300	200	138	10	M10x35	83	M10	4	2,70
06700095	95	135	40	46	62	72	12100	210	148	10	M10x35	83	M10	4	2,90
06700100	100	145	46	52	77	89	15700	216	148	8	M12x45	145	M12	4	3,90
06700110	110	155	46	52	77	89	17200	196	139	8	M12x45	145	M12	4	4,20
06700120	120	165	46	52	77	89	22500	216	156	10	M12x45	145	M12	4	4,80
06700130	130	180	46	52	77	89	24000	196	140	12	M12x45	145	M12	4	5,00
06700140	140	190	51	59	84	90	30800	196	145	8	M14x45	230	M14	4	6,50
06700150	150	200	51	59	84	90	37150	205	153	10	M14x45	230	M14	5	7,00
06700160	160	210	51	59	84	90	40500	205	155	10	M14x45	230	M14	5	7,00
06700170	170	225	51	59	84	90	40900	163	123	12	M14x45	230	M14	6	8,50
06700180	180	235	51	59	84	90	41300	160	120	12	M14x45	230	M14	6	9,00

Esempio di ordinazione:

Albero con  $\varnothing d$  48 con un valore di coppia  
uguale a 2510 Nm si chiederà:

**RCK 70 - 48 x 80**

**Codice 06700048**

Simulazione 3D disponibile sul sito web.

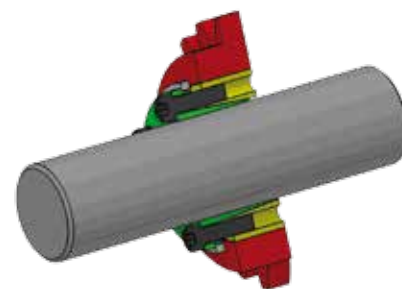
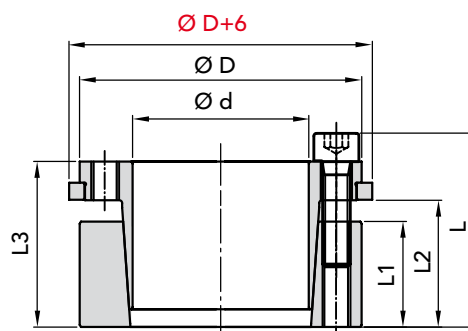
Disegni CAD disponibili sul sito  
[www.chiaravalli.com](http://www.chiaravalli.com)

Quantità, disponibilità e prezzi  
con B2B Chiaravalli




**AUTOCENTRANTE**

 LE TOLLERANZE DI LAVORAZIONE  
 DIAMETRALI CONSIGLIATE SONO:

**ALBERO  $\varnothing h 8$** 
**MOZZO  $\varnothing H 8$** 


CODICE	DIMENSIONI						coppia max Mt Nm	PRESSIONI		VITI BLOCCAGGIO DIN 912 MAT. 12.9			FILETTO DI ESTRAZIONE		PESO Kg
	$\varnothing d$	$\varnothing D$	L1	L2	L3	L		Albero N/mm <sup>2</sup>	Mozzo N/mm <sup>2</sup>	N.	Tipo	Coppia Nm	Tipo	N.	
06710019	19	47	26	31	39	45	300	228	98	4	M6x25	17	M6	2	0,45
06710020	20	47	26	31	39	45	320	231	98	4	M6x25	17	M6	2	0,46
06710022	22	47	26	31	39	45	370	211	99	4	M6x25	17	M6	2	0,50
06710024	24	50	26	31	39	45	430	220	110	6	M6x25	17	M6	3	0,50
06710025	25	50	26	31	39	45	480	226	113	6	M6x25	17	M6	3	0,50
06710028	28	55	26	31	39	45	590	207	108	6	M6x25	17	M6	3	0,60
06710030	30	55	26	31	39	45	650	226	121	6	M6x25	17	M6	3	0,60
06710032	32	60	26	31	39	45	800	201	117	8	M6x25	17	M6	4	0,70
06710035	35	60	26	31	39	45	860	206	121	8	M6x25	17	M6	4	0,60
06710038	38	65	26	31	39	45	1030	201	124	8	M6x25	17	M6	4	0,80
06710040	40	65	26	31	39	45	1130	239	146	8	M6x25	17	M6	4	0,60
06710042	42	75	30	36	47	55	1930	221	138	6	M8x30	41	M8	3	1,20
06710045	45	75	30	36	47	55	1950	221	138	6	M8x30	41	M8	3	1,10
06710048	48	80	30	36	47	55	2180	226	145	6	M8x30	41	M8	3	1,30
06710050	50	80	30	36	47	55	2210	226	146	6	M8x30	41	M8	3	1,10
06710055	55	85	30	36	47	55	2730	226	146	8	M8x30	41	M8	4	1,20
06710060	60	90	30	36	47	55	2910	201	134	8	M8x30	41	M8	4	1,30
06710065	65	95	30	36	47	55	3570	211	145	8	M8x30	41	M8	4	1,40
06710070	70	110	40	46	57	67	5830	226	145	8	M10x35	83	M10	4	2,50
06710075	75	115	40	46	62	72	6330	221	151	8	M10x35	83	M10	4	2,60
06710080	80	120	40	46	62	72	6840	202	142	8	M10x35	83	M10	4	2,80
06710085	85	125	40	46	62	72	8160	221	161	10	M10x35	83	M10	4	2,80
06710090	90	130	40	46	62	72	8670	201	146	10	M10x35	83	M10	4	3,00
06710095	95	135	40	46	62	72	10200	191	141	10	M10x35	83	M10	4	3,00
06710100	100	145	46	52	77	89	13600	201	151	8	M12x45	145	M12	4	5,50
06710110	110	155	46	52	77	89	14870	201	182	8	M12x45	145	M12	4	4,80
06710120	120	165	46	52	77	89	19460	221	162	10	M12x45	145	M12	4	5,50
06710130	130	180	46	52	77	89	20820	202	146	12	M12x45	145	M12	4	6,00
06710140	140	190	51	59	84	90	25410	192	141	8	M14x45	230	M14	4	7,50
06710150	150	200	51	59	84	90	30720	202	152	10	M14x45	230	M14	5	7,70
06710160	160	210	51	59	84	90	33150	202	152	10	M14x45	230	M14	5	8,00
06710170	170	225	51	59	84	90	34000	161	121	12	M14x45	230	M14	6	9,80
06710180	180	235	51	59	84	90	34250	157	122	12	M14x45	230	M14	6	9,80

Esempio di ordinazione:

 Albero con  $\varnothing d 30$  con un valore di coppia  
 uguale a 650 Nm si chiederà:

**RCK 71 - 30 x 55**
**Codice 06710030**

Simulazione 3D disponibile sul sito web.

 Disegni CAD disponibili sul sito  
[www.chiaravalli.com](http://www.chiaravalli.com)

 Quantità, disponibilità e prezzi  
 con B2B Chiaravalli



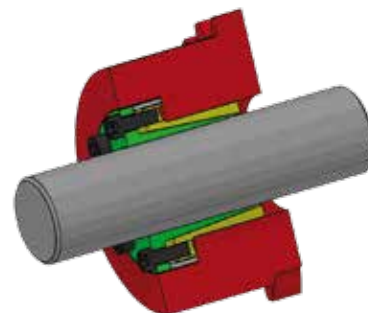
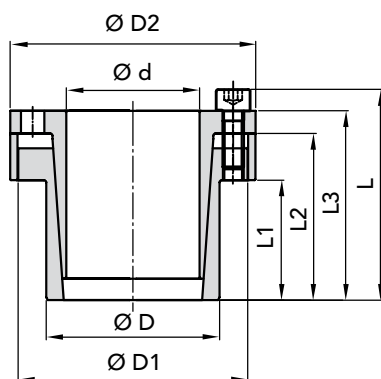



## AUTOCENTRANTE

LE TOLLERANZE DI LAVORAZIONE  
DIAMETRALI CONSIGLIATE SONO:

**ALBERO Ø h 8**

**MOZZO Ø H 8**



### DIMENSIONI

CODICE	Ød	ØD	ØD1	ØD2	L1	L2	L3	L	coppia max Mt Nm	PRESSIONI		VITI BLOCCAGGIO DIN 912 MAT. 12.9			FILETTO DI ESTRAZIONE		PESO Kg
										Albero N/mm <sup>2</sup>	Mozzo N/mm <sup>2</sup>	N.	Tipo	Coppia Nm	Tipo	N.	
06800006	6	14	22	25	10	18,5	22,5	25,5	12	190	80	3	M3x10	2,2	M3	2	0,15
06800008	8	15	24	27	12	21,5	25,5	29,5	29	205	110	3	M4x12	5	M4	2	0,16
06800009	9	16	25	28	14	23,5	27,5	31,5	31	150	85	3	M4x12	5	M4	2	0,16
06800010	10	16	25	28	14	23,5	27,5	31,5	35	140	85	3	M4x12	5	M4	2	0,17
06800011	11	18	28	32	14	23,5	27,5	31,5	52	170	105	4	M4x12	5	M4	2	0,17
06800012	12	18	28	32	14	23,5	27,5	31,5	58	150	100	4	M4x12	5	M4	2	0,18
06800014	14	23	35	39	14	23,5	27,5	31,5	69	140	80	4	M4x12	5	M4	2	0,20
06800015	15	24	40	45	16	29,5	36,5	42,5	170	158	98	4	M6x18	17	M6	2	0,21
06800016	16	24	40	45	16	29,5	36,5	42,5	180	148	98	4	M6x18	17	M6	2	0,23
06800017	17	26	42	47	19	32,5	39,5	45,5	200	180	125	4	M6x18	17	M6	2	0,25
06800018	18	26	42	47	19	32,5	39,5	45,5	200	180	125	4	M6x18	17	M6	2	0,27
06800019	19	27	43	49	19	32,5	39,5	45,5	210	170	120	4	M6x18	17	M6	2	0,29
06800020	20	28	44	50	19	32,5	39,5	45,5	220	160	115	4	M6x18	17	M6	2	0,30
06800022	22	32	48	54	26	39,5	46,5	52,5	250	115	80	4	M6x18	17	M6	2	0,38
06800024	24	34	50	56	26	39,5	46,5	52,5	395	146	102	6	M6x18	17	M6	3	0,41
06800025	25	34	50	56	26	39,5	46,5	52,5	410	140	102	6	M6x18	17	M6	3	0,45
06800028	28	39	55	61	25,5	39,5	46,5	52,5	465	135	98	6	M6x18	17	M6	3	0,47
06800030	30	41	57	62	25,5	39,5	46,5	52,5	510	127	90	6	M6x18	17	M6	3	0,48
06800032	32	43	59	65	25,5	39,5	46,5	52,5	705	146	108	8	M6x18	17	M6	4	0,51
06800035	35	47	62	69	31,5	45,5	52,5	58,5	790	105	80	8	M6x18	17	M6	4	0,63
06800038	38	50	66	72	31,5	45,5	52,5	58,5	860	100	76	8	M6x18	17	M6	4	0,67
06800040	40	53	69	75	31,5	45,5	52,5	58,5	900	96	72	8	M6x18	17	M6	4	0,73
06800042	42	55	71	78	31,5	45,5	52,5	58,5	940	90	70	8	M6x18	17	M6	4	0,78
06800045	45	59	80	86	45	62,5	71	79	1840	110	85	8	M8x22	41	M8	4	1,23
06800048	48	62	81	87	45	62,5	71	79	2000	105	80	8	M8x22	41	M8	4	1,24
06800050	50	65	86	92	45	62,5	71	79	2100	100	75	8	M8x22	41	M8	4	1,40
06800055	55	71	92	98	55	72,5	81	89	2580	85	65	9	M8x22	41	M8	3	1,70
06800060	60	77	98	104	55	72,5	81	89	2800	75	60	9	M8x22	41	M8	3	1,76
06800065	65	84	105	111	55	72,5	81	89	3050	70	55	9	M8x22	41	M8	3	2,21
06800070	70	90	113	119	65	86,5	96,5	106,5	5250	90	70	9	M10x25	83	M10	3	3,05
06800075	75	95	119	126	65	86,5	96,5	106,5	5600	80	65	9	M10x25	83	M10	3	3,32
06800080	80	100	125	131	65	86,5	96,5	106,5	8000	100	80	12	M10x25	83	M10	4	3,50
06800090	90	112	137	144	65	86,5	96,5	106,5	9000	90	75	12	M10x25	83	M10	4	3,90
06800100	100	125	147	154	65	86,5	96,5	106,5	15000	120	95	18	M10x25	83	M10	4	4,60
06800110	110	140	172	180	90	114	128	140	16000	80	65	12	M12x35	145	M12	4	8,70
06800120	120	155	187	198	90	114	128	140	17500	70	55	12	M12x35	145	M12	4	10,70

Esempio di ordinazione:

Albero con Ød 95 con un valore di coppia  
uguale a 8000 Nm si chiederà:

**RCK 80 - 80 x 100**

**Codice 06800080**

Simulazione 3D disponibile sul sito web.

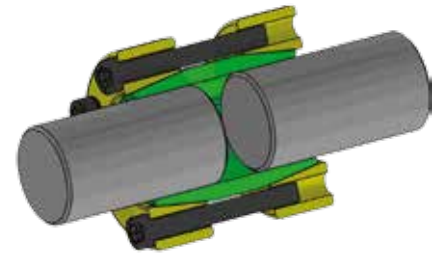
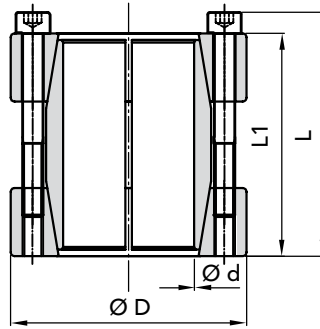
Disegni CAD disponibili sul sito  
[www.chiaravalli.com](http://www.chiaravalli.com)

Quantità, disponibilità e prezzi  
con B2B Chiaravalli




**GIUNTO RIGIDO**

 LE TOLLERANZE DI LAVORAZIONE  
 DIAMETRALI CONSIGLIATE SONO:

**ALBERO  $\varnothing h 8$** 


CODICE	DIMENSIONI				coppia max Mt Nm	PRESSIONI  Albero N/mm <sup>2</sup> 2	VITI BLOCCAGGIO DIN 912 MAT. 12.9			PESO Kg
	$\varnothing d$	$\varnothing D$	L1	L			N.	Tipo	Coppia Nm	
06950017	17	50	50	56	200	110	4	M6x40	17	0,51
06950018	18	50	50	56	220	110	4	M6x40	17	0,52
06950019	19	50	50	56	230	110	4	M6x40	17	0,50
06950020	20	50	50	56	240	105	4	M6x40	17	0,50
06950024	24	55	60	66	290	120	4	M6x50	17	0,71
06950025	25	55	60	66	450	110	6	M6x50	17	0,69
06950028	28	60	60	66	510	110	6	M6x50	17	0,81
06950030	30	60	60	66	550	105	6	M6x50	17	0,78
06950032	32	63	60	66	580	90	6	M6x50	17	0,85
06950035	35	75	75	83	790	105	4	M8x60	41	1,48
06950038	38	75	75	83	850	100	4	M8x60	41	1,45
06950040	40	75	75	83	900	95	4	M8x60	41	1,40
06950042	42	78	75	83	950	90	4	M8x60	41	1,50
06950045	45	85	85	93	1520	110	6	M8x70	41	2,03
06950048	48	90	85	93	1620	100	6	M8x70	41	2,24
06950050	50	90	85	93	1690	95	6	M8x70	41	2,18
06950055	55	94	85	93	2470	110	8	M8x70	41	2,29
06950060	60	100	85	93	2710	95	8	M8x70	41	2,52
06950065	65	105	85	93	2930	90	8	M8x70	41	2,69
06950070	70	115	100	110	3770	90	6	M10x80	83	3,94

Esempio di ordinazione:

 Albero con  $\varnothing d$  40 con un valore di coppia  
 uguale a 900 Nm si chiederà:

**RCK 95 - 40 x 75**
**Codice 06950040**

Simulazione 3D disponibile sul sito web.

Disegni CAD disponibili sul sito

[www.chiaravalli.com](http://www.chiaravalli.com)

 Quantità, disponibilità e prezzi  
 con B2B Chiaravalli




# MARTINETTI

# MECCANICI

*La nuova linea di prodotto Martinetti Meccanici denominata CHT (Chiaravalli High Tech) si integra e completa la gamma degli articoli destinati alla Trasmissione Meccanica.*

*La nuova linea di prodotti è realizzata utilizzando materiali di alta qualità, lavorati con precisioni assolute, usufruendo del moderno parco macchine di aziende appartenenti alla Chiaravalli Group SpA.*

*Gli elementi base che compongono il prodotto finale Martinetto sono realizzati in grandi serie, rigorosamente controllati e posti a magazzino.*

*Uno speciale software realizzato dalla Chiaravalli Group SpA permette ai nostri clienti di combinare omogeneamente i vari elementi e di realizzare prima, in versione virtuale, il martinetto richiesto e poi, in seconda fase, di ordinarlo con assoluta precisione.*

*L'impegno della Chiaravalli Group SpA è di garantire la consegna di questo prodotto in tempi ristrettissimi, con qualità e precisioni garantite.*







# PRODUZIONE

# COMPONENTI SPECIALI

*Produciamo ingranaggi e componenti meccanici di alta precisione.*

*Una vasta e variegata gamma di moderne macchine a CNC assicura capacità produttiva e qualità di elevato livello. Il personale Chiaravalli Group SpA altamente specializzato e con grande spirito di appartenenza all'azienda, opera avvalendosi delle più moderne tecnologie CAE e CAD-CAM.*

*La produzione è certificata e garantita attraverso l'utilizzo di macchine tridimensionali di misura di elevata precisione.*

***Chiaravalli Group SpA partner tecnologico per produzioni di alta qualità.***





## GIUNTI FLESSIBILI BRAND GIFLEX<sup>®</sup>

SERIE <b>GE-T</b>	pag. 2
SERIE <b>GE-T SG</b>	16
SERIE <b>GF</b>	22
SERIE <b>GFA</b>	26
SERIE <b>GFAS</b>	34
SERIE <b>FBX</b>	40

## LIMITATORI DI COPPIA + GIUNTI CATENA CON COPERCHIO

LIMITATORI DI COPPIA	46
LIMITATORI DI COPPIA CON GIUNTO A CATENA LCG	51
GIUNTO A CATENA CON COPERCHIO KC	52





# GIUNTI ELASTICI TORSIONALI BRAND "GIFLEX®"

**SERIE GE-T**

GIUNTO GE-T STANDARD



GIUNTO GE-T ALLUMINIO

GIUNTO GE-T TAPER LOCK



GIUNTO GE-T SG



**MOZZO A**



**MOZZO B**



**MOZZO I**

bussola interna



**MOZZO E**

bussola esterna



**POLIURETANO GIALLO**



**ELASTOMERO ROSSO**



**ELASTOMERO NERO**



## INTRODUZIONE

Nella pratica industriale i giunti elastici a torsione, quali organi di collegamento tra alberi rotanti, sono destinati ad assicurare una trasmissione di coppia esente da urti, ed a compensare in esercizio leggeri difetti di allineamento tra gli alberi stessi.

I giunti elastici della serie **GE-T** assicurano queste prestazioni ed offrono altresì un eccellente livello qualitativo grazie alla accuratezza delle lavorazioni ed alla scelta dei materiali utilizzati.

L'affidabilità generale offerta dai giunti **GE-T**, è garantita da una soddisfacente durata in esercizio degli stessi.



## GENERALITÀ

I giunti della serie **GE-T**, sono giunti meccanici torsionalmente elastici in grado di trasmettere un momento torcente proporzionale al cedimento elastico dell'elemento di interposizione. I giunti devono essere altresì in grado di esplicare un efficace smorzamento delle eventuali vibrazioni torsionali dovute al carico o autoindotte, di attenuare urti e picchi di coppia in fase di avviamento e di compensare leggeri disallineamenti angolari e paralleli tra gli alberi, assicurando comunque una accettabile durata in esercizio.

Queste caratteristiche e più in generale le prestazioni richieste al giunto, vengono a dipendere quasi esclusivamente dalla qualità dell'elemento di interposizione per cui è di fondamentale importanza la scelta del materiale di cui è costituito quest'ultimo.

La curva che esprime la caratteristica elastica dell'elemento di interposizione deve avere andamento progressivo (cedevole ai bassi valori di coppia e rigido ai valori più elevati) per assicurare un funzionamento privo di strappi in avviamento ed in cedimento torsionale contenuto a regime.

Affinché il giunto possa esplicare un efficace smorzamento delle eventuali oscillazioni torsionali, è determinante che l'elemento di interposizione presenti una certa isteresi elastica, di entità commisurata all'azione smorzante richiesta. Inoltre la durata in esercizio del giunto, viene a dipendere dalla resa elastica del materiale costituente l'elemento di interposizione. Molto spesso le caratteristiche fisiche di cui sopra sono in contrapposizione tra di loro e rispetto ad altri parametri meccanici e tecnologici fondamentali, per cui l'adeguamento delle prestazioni offerte dall'elemento di interposizione alla molteplicità delle condizioni di esercizio non può venir garantito da un unico materiale e si impone pertanto una differenziazione dei materiali adottati per la corona elastica.

Nella esecuzione base viene utilizzato per la corona dentata un elastomero termoplastico scelto per soddisfare esigenze di medio livello. Si tratta di un elastomero di rigidità media, caratterizzato da uno smorzamento interno ottimale, resistente all'invecchiamento, alla fatica, all'abrasione nonché all'idrolisi ed ai principali agenti chimici con particolare riferimento agli olii ed all'ozono.

Per i giunti in esecuzione base sono ammesse temperature d'esercizio comprese tra i  $-40^{\circ}$  e i  $+125^{\circ}$  con brevi punte fino a  $150^{\circ}\text{C}$ . Per l'impiego in condizioni di esercizio estreme o comunque per esigenze superiori alla media, sono state studiate e sono disponibili a richiesta, mescole alternative in grado di soddisfare ogni necessità pratica.

## CONDIZIONI DI IMPIEGO E DI MONTAGGIO

Il funzionamento dei giunti elastici a torsione quali i giunti **GE-T** e similari, è caratterizzato da una proporzionalità tra coppia torcente ed angolo di torsione e da una capacità di compensare disassamenti angolari e radiali di modesta entità.

Valori altrettanto qualificanti ma di più difficile interpretazione sono il fattore di smorzamento e la frequenza naturale o di risonanza.

Per la qualificazione dei suoi giunti, la CHIARAVALLI GROUP Spa dichiara valori di coppia torcente ammissibile correlati a ben definiti valori dell'angolo di torsione che in corrispondenza alla coppia massima assume il valore limite di  $5^{\circ}$ . Ciò fornisce un valido orientamento circa la progressività della curva elastica.

Per i disassamenti angolare e radiale vengono riportati i valori massimi ammissibili, con l'avvertenza che si tratta di valori estremi, non cumulabili (solo compensazione angolare o solo compensazione radiale) e validi per condizioni di funzionamento "standard" caratterizzate da: coppia di esercizio non superiore alla coppia nominale, velocità di rotazione inferiore a 1450 giri/min e temperatura del giunto non superiore a  $40^{\circ}\text{C}$ .

Per ogni giunto della serie **GE-T** viene indicata in giri/min la massima velocità di rotazione a cui corrisponde una velocità periferica massima di 30 m/sec.

Questa velocità può venir raggiunta con sufficiente margine di sicurezza rispetto al pericolo di rottura per sollecitazione a forza centrifuga grazie alle caratteristiche del materiale impiegato.

Nonostante i semigiunti siano completamente lavorati su ogni superficie esterna, si raccomanda la bilanciatura dinamica in classe G 2,5 secondo ISO 1940 qualora la velocità di funzionamento effettiva superi i 2800 giri/min.



### CRITERI DI SCELTA E DIMENSIONAMENTO DEL GIUNTO

Il dimensionamento dei giunti viene fatto in base alle leggi fisiche della meccanica e della resistenza dei materiali e risulta per altro conforme a quanto prescritto dalla norma DIN 740 Foglio 2.

Per la scelta del giunto vale il criterio per cui anche nelle peggiori condizioni di esercizio non deve mai venir superata la sollecitazione massima ammissibile.

Ne consegue che la coppia nominale dichiarata per il giunto deve venir confrontata con una coppia di riferimento che tenga conto dei sovraccarichi dovuti al modo di agire del carico ed alle condizioni di esercizio.

La coppia di riferimento viene ottenuta moltiplicando la coppia di esercizio per una serie di fattori moltiplicativi dipendenti della natura del carico o dalle condizioni di temperatura ambiente.

### CARICO DOVUTO ALLA COPPIA NOMINALE

La coppia nominale ammissibile del giunto  $Tk_n$ , deve risultare per qualsiasi temperatura di esercizio eguale o maggiore della coppia di esercizio del lato condotto TLN

$$TLN = 9549 \frac{(PLn) [Nm]}{nLn}$$

Per tener conto dei sovraccarichi dovuti alla temperatura di esercizio del giunto, dovrà risultare soddisfatta la seguente eguaglianza dove St rappresenta il fattore di temperatura.

$$Tk_n = > TLN * St$$

### CARICO ALL'AVVIAMENTO

Durante il transitorio di avviamento, il motore di comando eroga una coppia motrice multipla della coppia nominale e dipendente dalla distribuzione delle masse.

Altrettanto si verifica in fase di frenatura per cui queste due fasi sono caratterizzate da urti di coppia la cui intensità viene a dipendere dalla distribuzione delle masse relative al lato di comando MA ed al lato condotto ML oltreché dalla frequenza degli avvenimenti da cui viene a dipendere il fattore di avviamento Sz.

Le coppie di spunto lato comando e lato condotto, vengono espresse dalle relazioni che seguono:

- lato comando  $T_S = T_{AS} * MA * SA$

- lato condotto  $T_S = T_{LS} * ML * SL$

In prima approssimazione e nel caso non sia nota la distribuzione delle masse, assumere MA ed ML eguali ad 1.

Per azionamenti tramite motore elettrico il fattore SA può venir assunto pari al rapporto tra coppia di spunto e coppia nominale.

### CARICO DOVUTO AD URTI DI COPPIA

La coppia nominale ammissibile del giunto  $Tk_n \max$  deve risultare per qualsiasi temperatura di esercizio eguale o maggiore della coppia di spunto maggiorata del fattore di temperatura St e del fattore di avviamento Sz.

$$Tk_n \max > TS * St * Sz$$

Per condizioni di esercizio che prevedano variazioni periodiche o inversioni di coppia nonché sollecitazioni torsionali alternate consultare l'Ufficio Tecnico Chiaravalli Group SpA.

### SIMBOLI

$Tk_n$  = coppia nominale del giunto (Nm)

$Tk_{max}$  = coppia max del giunto (Nm)

$Tk_w$  = coppia con inversioni del giunto (Nm)

TLN = coppia d'esercizio lato condotto (Nm)

TLs = coppia di spunto lato condotto (Nm)

TAs = coppia di spunto lato motore (Nm)

Ts = coppia di spunto dell'impianto (Nm)

PLn = potenza d'esercizio lato condotto (Nm)

nLn = velocità di rotazione lato condotto (giri 1)

St = fattore di temperatura

JA = momento d'inerzia lato comando

JL = momento d'inerzia lato condotto

SA = fattore d'urto lato motore

SL = fattore d'urto lato condotto

Sz = attore d'avviamento

MA = fattore di massa lato comando  $\frac{JL}{JA+JL}$

ML = fattore di massa lato condotto  $\frac{JA}{JA+JL}$

### VALORI ORIENTATIVI PER I FATTORI DI ADEGUAMENTO:

Denominazione	Simbolo	Definizione				
Fattore di Temperatura	St.	St. C°	1	1	1,4	1,8
			-30°	+40°	+80°	+120°
			+30°			
Fattore di Avviamento	Sz.	Numero degli avviamenti per ora				
		Avviamenti/h	100	200	400	800
		Sz.	1	1,2	1,4	1,6
Fattore d'urto	SA/SL	SA/SL				
		Urti di avviam. leggeri	1,5			
		Urti di avviam. medi	1,8			
		Urti di avviam. pesanti	2,2			

### FATTORI DI SERVIZIO:

Regime di carico	Condizioni d'impiego	Tipo di azionamento	
		Mot. Elettr.	Mot. Dies
UNIFORME	Funzionamento regolare senza urti e sovraccarichi	1,25	1,5
LEGGERO	Funzionamento regolare con urti e sovraccarichi leggeri e poco frequenti	1,50	2,0
MEDIO	Funzionamento irregolare con sovraccarichi medi di breve durata ed urti frequenti ma moderati	2,0	2,5
PESANTE	Funzionamento decisamente irregolare con urti sovraccarichi molto frequenti e di forte intensità	2,5	3,0

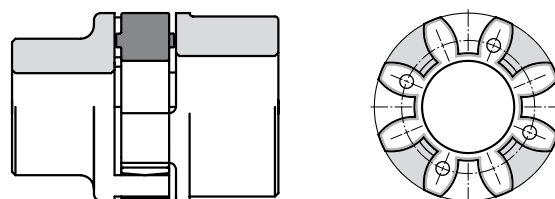
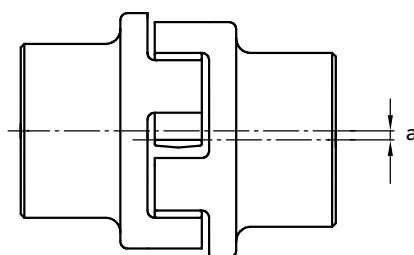
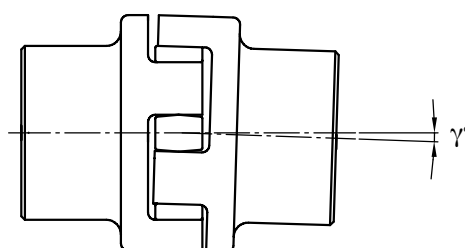
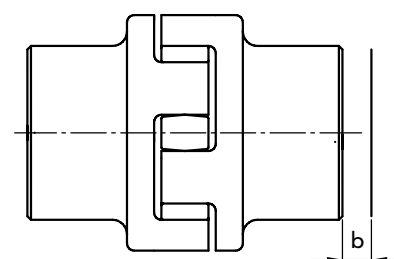



**DATI TECNICI**

con **STELLA DENTATA NERA**  
 in ELASTOMERO  
 92/94 shore A  
 TEMPERATURA D'ESERCIZIO - 40° +140°  
 UTILIZZO IN AMBIENTI SOGGETTI  
 A CONTAMINAZIONE

con **STELLA DENTATA GIALLA**  
 in POLIURETANO  
 92/94 shore A  
 TEMPERATURA D'ESERCIZIO - 40° +90°

GIUNTO GE-T in LEGA D'ALLUMINIO o GHISA


 Disassamento **RADIALE**

 Disassamento **ANGOLARE**

 Disassamento **ASSIALE**

**DATI TECNICI**

TIPO DI GIUNTO	N° giri max n. min. <sup>1</sup>	Angolo di Torsione		Stella dentata durezza shore A	Momento torcente (Nm)			Rigidità torsionale (kNm/rad)				disass. assiale b mm	disass. max	
		Tk n	Tk max		Norm. Tk n	Max Tk max	con inv. Tk w	1,0 Tk n	0,75 Tk n	0,5 Tk n	0,25 Tk n		a mm	angolare γ°
GE-T 19-24	14000	3°	5°	94	10	20	2,6	0,68	0,57	0,44	0,28	1,2	0,2	1,2°
GE-T 24-32	10600			94	35	70	9	2,19	1,82	1,40	0,90	1,4	0,2	0,9°
GE-T 28-38	8500			94	95	190	25	5,20	4,31	3,32	2,12	1,5	0,25	0,9°
GE-T 38-45	7100			94	190	380	49	10,00	8,30	6,39	4,08	1,8	0,28	1,0°
GE-T 42-55	6000			94	265	530	69	17,00	14,11	10,86	6,94	2,0	0,32	1,0°
GE-T 48-60	5600			94	310	620	81	20,00	16,59	12,77	8,16	2,1	0,36	1,1°
GE-T 55-70	4750			94	410	820	105	21,99	18,25	14,05	8,98	2,2	0,38	1,1°
GE-T 65-75	4250			94	625	1250	163	28,20	23,39	18,01	11,51	2,6	0,42	1,2°
GE-T 75-90	3550			94	975	1950	254	67,99	56,41	43,44	27,75	3,0	0,48	1,2°
GE-T 90-100	2800			94	2400	4800	624	110,00	91,26	70,27	44,89	3,4	0,50	1,2°

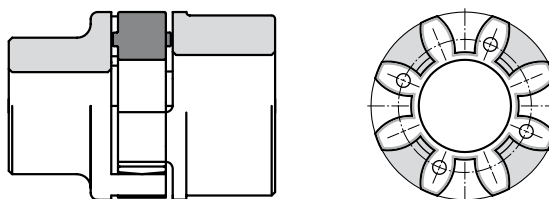




**DATI TECNICI**

con **STELLA DENTATA ROSSA**  
 in ELASTOMERO  
**96/98 shore A**  
 TEMPERATURA D'ESERCIZIO - 30° +140°

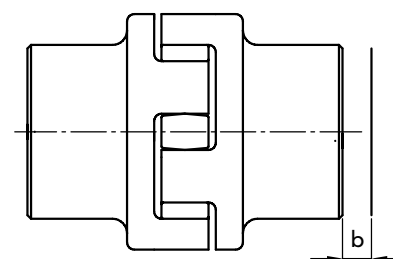
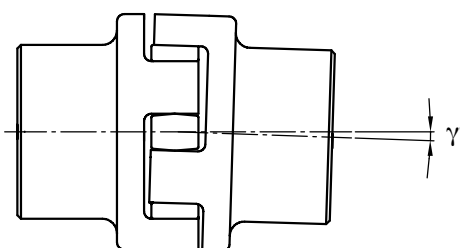
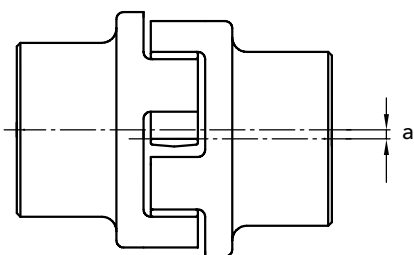
GIUNTO GE-T in LEGA D'ALLUMINIO o GHISA



Disassamento **RADIALE**

Disassamento **ANGOLARE**

Disassamento **ASSIALE**



**DATI TECNICI**

TIPO DI GIUNTO	N° giri max n. min. <sup>1</sup>	Angolo di Torsione		Stella dentata durezza shore A	Momento torcente (Nm)			Rigidità torsionale (kNm/rad)				disass. b assiale mm	disass. max	
		Tk n	Tk max		Norm. Tk n	Max Tk max	con inv. Tk w	1,0 Tk n	0,75 Tk n	0,5 Tk n	0,25 Tk n		a mm	angolare γ°
GE-T 19-24	14000	3°	5°	96	17	34	4,4	1,09	0,90	0,68	0,42	1,2	0,2	1,2°
GE-T 24-32	10600			96	60	120	16	3,70	3,04	2,31	1,44	1,4	0,2	0,9°
GE-T 28-38	8500			96	160	320	42	9,5	7,80	5,92	3,68	1,5	0,25	0,9°
GE-T 38-45	7100			96	325	650	85	29,0	23,8	18,6	11,24	1,8	0,28	1,0°
GE-T 42-55	6000			96	450	900	117	40,5	33,24	25,21	15,70	2,0	0,32	1,0°
GE-T 48-60	5600			96	525	1050	137	48,56	39,86	30,23	18,82	2,1	0,36	1,1°
GE-T 55-70	4750			96	625	1250	163	52,78	43,32	32,86	20,46	2,2	0,38	1,1°
GE-T 65-75	4250			96	940	1880	166	57,5	47,19	35,80	22,29	2,6	0,42	1,2°
GE-T 75-90	3550			96	1465	2930	381	150,0	123,12	93,39	58,14	3,0	0,48	1,2°
GE-T 90-100	2800			96	3600	7200	936	250,0	205,19	155,65	96,90	3,4	0,50	1,2°

"GIFLEX®" SERIE GE-T DISASSAMENTI COMPENSABILI con GIUNTI GE-T PRECISA



**GHISA GG25**

INTERPRETAZIONE DELLA CODIFICA

Esempio

**GE-T 19A-24B** = mozzo A + mozzo B

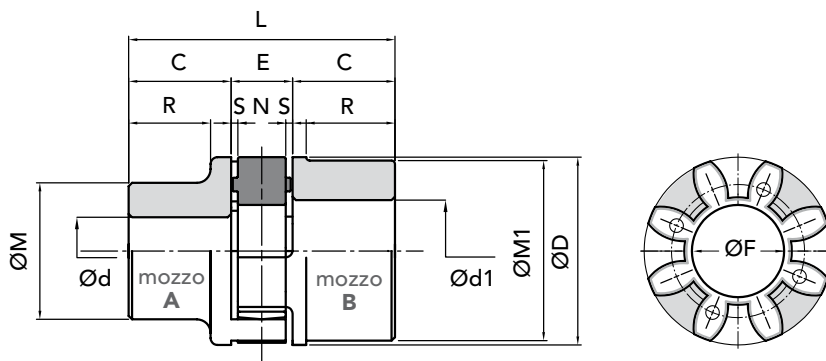
**GE-T 19A-24B** = mozzo B + mozzo A

**GE-T 19A-19A** = 2 mozzi A

**GE-T 24B-24B** = 2 mozzi B

La caratteristica del giunto è definita dal diametro massimo del foro mozzo.

**ACCIAIO\***



**CODICI**

TIPO DI GIUNTO	CODICE MOZZO		Elastomero NERO	Elastomero ROSSO	Poliuretano GIALLO
	A	B	92/94 shore A	96/98 shore A	92/94 shore A
GE-T 19A-24B*	02201920	02201940	02001910	02001911	02001912
GE-T 24A-32B	02202420	02202440	02002410	02002411	02002412
GE-T 28A-38B	02202820	02202840	02002810	02002811	02002812
GE-T 38A-45B	02203820	02203840	02003810	02003811	02003812
GE-T 42A-55B	02204220	02204240	02004210	02004211	02004212
GE-T 48A-60B	02204820	02204840	02004810	02004811	02004812
GE-T 55A-70B	02205520	02205540	02005510	02005511	02005512
GE-T 65A-75B	02206520	02206540	02006510	02006511	02006512
GE-T 75A-90B	02207520	02207540	02007510	02007511	02007512
GE-T 90A-100B	02209020	02209040	02209010	02209011	02209012

**MISURE - PESI**

TIPO DI GIUNTO	Ø foro mozzo		Ø Foro finito		Misure in mm serie normale										Peso Kg			J Kg cm <sup>2</sup> mozzi A+B
	A	B	Ød max	Ød1 max	C	ØD	E	ØF	ØM	ØM1	N	R	S	L	elem. elastico	mozzo A	mozzo B	
GE-T 19A-24B*	-	-	19	24	25	40	16	18	30	40	12	19	2	66	0,004	0,18	0,25	0,8
GE-T 24A-32B	-	-	24	32	30	55	18	27	40	55	14	24	2	78	0,014	0,36	0,55	3
GE-T 28A-38B	-	-	28	38	35	65	20	30	48	65	15	27,5	2,5	90	0,025	0,60	0,85	7
GE-T 38A-45B	-	-	38	45	45	80	24	38	66	78	18	36,5	3	114	0,042	1,35	1,65	20
GE-T 42A-55B	-	-	42	55	50	95	26	46	75	94	20	40	3	126	0,066	2,00	2,30	50
GE-T 48A-60B	-	-	48	60	56	105	28	51	85	104	21	45	3,5	140	0,088	2,75	3,10	80
GE-T 55A-70B	-	-	55	70	65	120	30	60	98	118	22	52	4	160	0,116	4,20	4,50	160
GE-T 65A-75B	-	-	65	75	75	135	35	68	115	134	26	61	4,5	185	0,172	6,50	6,80	310
GE-T 75A-90B	-	-	75	90	85	160	40	60	135	158	30	69	5	210	0,325	10,00	10,80	680
GE-T 90A-100B	38	38	90	100	100	200	45	100	160	180	34	81	5,5	245	0,440	14,00	15,80	1590

**MOZZO A - B**

**MOZZO B - A**

**MOZZO A - A**

**MOZZO B - B**



**A richiesta:** si eseguono lavorazioni per Foro finito e chiavetta.

**IMPORTANTE**

I Giunti GE-T possono essere ordinati completi o per singoli componenti  
 MOZZO + ELASTOMERO + MOZZO

Disegni CAD disponibili sul sito [www.chiaravalli.com](http://www.chiaravalli.com)

Quantità, disponibilità e prezzi con B2B Chiaravalli





**GHISA GG25**

**ACCIAIO\***

**INTERPRETAZIONE DELLA CODIFICA**

Esempio

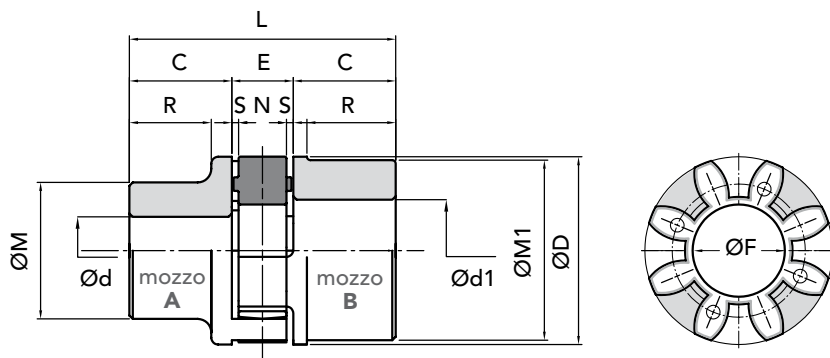
**GE-T 19A-24B** = mozzo A + mozzo B

**GE-T 19A-24B** = mozzo B + mozzo A

**GE-T 19A-19A** = 2 mozzi A

**GE-T 24B-24B** = 2 mozzi B

La caratteristica del giunto è definita dal diametro massimo del foro mozzo.



**CODICI GIUNTI COMPLETI**

TIPO DI GIUNTO	MOZZI	COLORE ANELLO ELASTICO	MATERIALE	CODICE GIUNTI COMPLETI
GE-T 19-24	A + B	NERO	ACCIAIO	02201900
GE-T 19-24	A + B	ROSSO	ACCIAIO	02201901
GE-T 19-24	A + A	NERO	ACCIAIO	02201902
GE-T 19-24	A + A	ROSSO	ACCIAIO	02201903
GE-T 19-24	B + B	NERO	ACCIAIO	02201904
GE-T 19-24	B + B	ROSSO	ACCIAIO	02201905
GE-T 19-24	A + B	GIALLO	ACCIAIO	02201906
GE-T 19-24	A + A	GIALLO	ACCIAIO	02201907
GE-T 19-24	B + B	GIALLO	ACCIAIO	02201908
GE-T 24-32	A + B	NERO	GHISA	02202400
GE-T 24-32	A + B	ROSSO	GHISA	02202401
GE-T 24-32	A + A	NERO	GHISA	02202402
GE-T 24-32	A + A	ROSSO	GHISA	02202403
GE-T 24-32	B + B	NERO	GHISA	02202404
GE-T 24-32	B + B	ROSSO	GHISA	02202405
GE-T 24-32	A + B	GIALLO	GHISA	02202406
GE-T 24-32	A + A	GIALLO	GHISA	02202407
GE-T 24-32	B + B	GIALLO	GHISA	02202408
GE-T 28-38	A + B	NERO	GHISA	02202800
GE-T 28-38	A + B	ROSSO	GHISA	02202801
GE-T 28-38	A + A	NERO	GHISA	02202802
GE-T 28-38	A + A	ROSSO	GHISA	02202803
GE-T 28-38	B + B	NERO	GHISA	02202804
GE-T 28-38	B + B	ROSSO	GHISA	02202805
GE-T 28-38	A + B	GIALLO	GHISA	02202806
GE-T 28-38	A + A	GIALLO	GHISA	02202807
GE-T 28-38	B + B	GIALLO	GHISA	02202808
GE-T 38-45	A + B	NERO	GHISA	02203800
GE-T 38-45	A + B	ROSSO	GHISA	02203801
GE-T 38-45	A + A	NERO	GHISA	02203802
GE-T 38-45	A + A	ROSSO	GHISA	02203803
GE-T 38-45	B + B	NERO	GHISA	02203804
GE-T 38-45	B + B	ROSSO	GHISA	02203805
GE-T 38-45	A + B	GIALLO	GHISA	02203806
GE-T 38-45	A + A	GIALLO	GHISA	02203807
GE-T 38-45	B + B	GIALLO	GHISA	02203808
GE-T 42-55	A + B	NERO	GHISA	02204200
GE-T 42-55	A + B	ROSSO	GHISA	02204201
GE-T 42-55	A + A	NERO	GHISA	02204202
GE-T 42-55	A + A	ROSSO	GHISA	02204203
GE-T 42-55	B + B	NERO	GHISA	02204204
GE-T 42-55	B + B	ROSSO	GHISA	02204205
GE-T 42-55	A + B	GIALLO	GHISA	02204206
GE-T 42-55	A + A	GIALLO	GHISA	02204207
GE-T 42-55	B + B	GIALLO	GHISA	02204208

"GIFLEX®" SERIE GE-T CODICI GIUNTI COMPLETI


**GHISA GG25**
**INTERPRETAZIONE DELLA CODIFICA**

Esempio

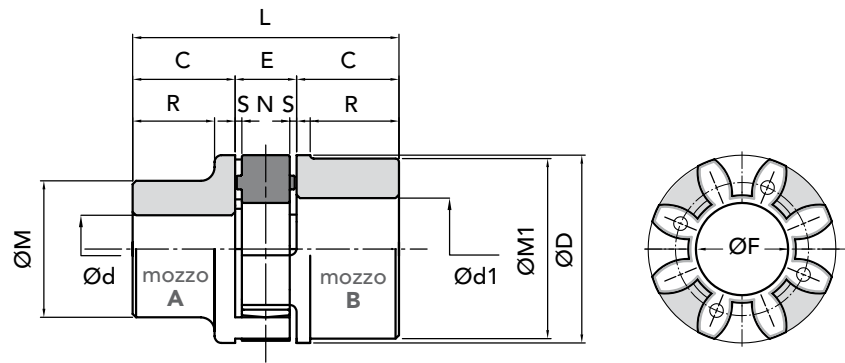
**GE-T 19A-24B** = mozzo A + mozzo B

**GE-T 19A-24B** = mozzo B + mozzo A

**GE-T 19A-19A** = 2 mozzi A

**GE-T 24B-24B** = 2 mozzi B

La caratteristica del giunto è definita dal diametro massimo del foro mozzo.


**CODICI GIUNTI COMPLETI**

TIPO DI GIUNTO	MOZZI	COLORE ANELLO ELASTICO	MATERIALE	CODICE GIUNTI COMPLETI
GE-T 48-60	A + B	NERO	GHISA	02204800
GE-T 48-60	A + B	ROSSO	GHISA	02204801
GE-T 48-60	A + A	NERO	GHISA	02204802
GE-T 48-60	A + A	ROSSO	GHISA	02204803
GE-T 48-60	B + B	NERO	GHISA	02204804
GE-T 48-60	B + B	ROSSO	GHISA	02204805
GE-T 48-60	A + B	GIALLO	GHISA	02204806
GE-T 48-60	A + A	GIALLO	GHISA	02204807
GE-T 48-60	B + B	GIALLO	GHISA	02204808
GE-T 55-70	A + B	NERO	GHISA	02205500
GE-T 55-70	A + B	ROSSO	GHISA	02205501
GE-T 55-70	A + A	NERO	GHISA	02205502
GE-T 55-70	A + A	ROSSO	GHISA	02205503
GE-T 55-70	B + B	NERO	GHISA	02205504
GE-T 55-70	B + B	ROSSO	GHISA	02205505
GE-T 55-70	A + B	GIALLO	GHISA	02205506
GE-T 55-70	A + A	GIALLO	GHISA	02205507
GE-T 55-70	B + B	GIALLO	GHISA	02205508
GE-T 65-75	A + B	NERO	GHISA	02206500
GE-T 65-75	A + B	ROSSO	GHISA	02206501
GE-T 65-75	A + A	NERO	GHISA	02206502
GE-T 65-75	A + A	ROSSO	GHISA	02206503
GE-T 65-75	B + B	NERO	GHISA	02206504
GE-T 65-75	B + B	ROSSO	GHISA	02206505
GE-T 65-75	A + B	GIALLO	GHISA	02206506
GE-T 65-75	A + A	GIALLO	GHISA	02206507
GE-T 65-75	B + B	GIALLO	GHISA	02206508
GE-T 75-90	A + B	NERO	GHISA	02207500
GE-T 75-90	A + B	ROSSO	GHISA	02207501
GE-T 75-90	A + A	NERO	GHISA	02207502
GE-T 75-90	A + A	ROSSO	GHISA	02207503
GE-T 75-90	B + B	NERO	GHISA	02207504
GE-T 75-90	B + B	ROSSO	GHISA	02207505
GE-T 75-90	A + B	GIALLO	GHISA	02207506
GE-T 75-90	A + A	GIALLO	GHISA	02207507
GE-T 75-90	B + B	GIALLO	GHISA	02207508
GE-T 90-100	A + B	NERO	GHISA	02209000
GE-T 90-100	A + B	ROSSO	GHISA	02209001
GE-T 90-100	A + A	NERO	GHISA	02209002
GE-T 90-100	A + A	ROSSO	GHISA	02209003
GE-T 90-100	B + B	NERO	GHISA	02209004
GE-T 90-100	B + B	ROSSO	GHISA	02209005
GE-T 90-100	A + B	GIALLO	GHISA	02209006
GE-T 90-100	A + A	GIALLO	GHISA	02209007
GE-T 90-100	B + B	GIALLO	GHISA	02209008



**LEGA D'ALLUMINIO**

INTERPRETAZIONE DELLA CODIFICA

Esempio

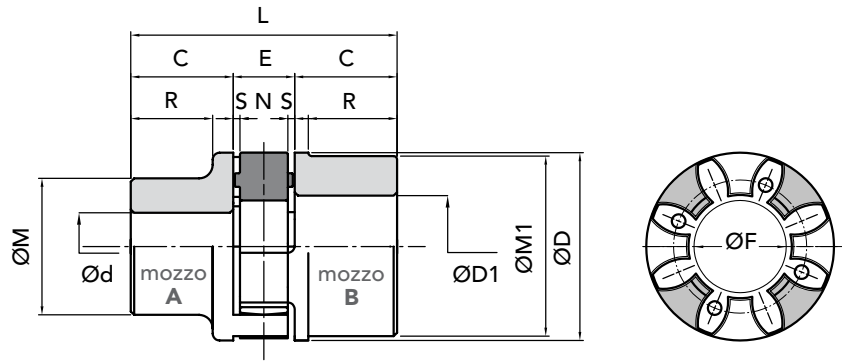
**GE-T 19A-24B/AI** = mozzo A + mozzo B

**GE-T 19A-24B/AI** = mozzo B + mozzo A

**GE-T 19A-19A/AI** = 2 mozzi A

**GE-T 24B-24B/AI** = 2 mozzi B

La caratteristica del giunto è definita dal diametro massimo del foro mozzo.



**CODICI**

TIPO DI GIUNTO	CODICE	CODICE	Elastomero	Elastomero	Poliuretano
	MOZZO A	MOZZO B	NERO 92/94 shore A	ROSSO 96/98 shore A	GIALLO 92/94 shore A
GE-T 19A-24B/AI	02301920	02301940	02001910	02001911	02001912
GE-T 24A-32B/AI	02302420	02302440	02002410	02002411	02002412
GE-T 28A-38B/AI	02302820	02302840	02002810	02002811	02002812
GE-T 38A-45B/AI	02303820	02303840	02003810	02003811	02003812

**MISURE - PESI**

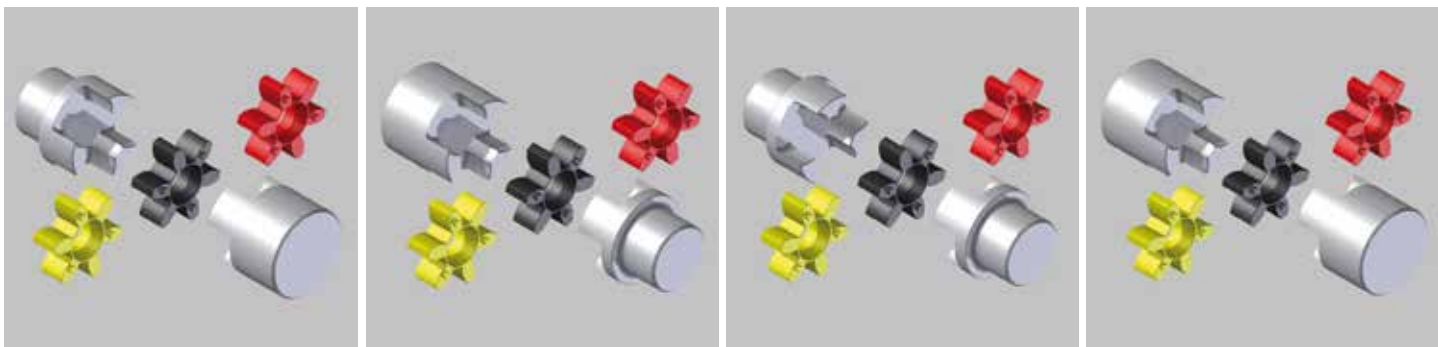
TIPO DI GIUNTO	Ø Foro grezzo		Ø Foro finito		Misure in mm serie normale										Peso Kg			J
	A	B	Ød max	ØD1 max	C	ØD	E	ØF	ØM	ØM1	N	R	S	L	elem. elastico	mozzo A	mozzo B	mozzi A+B
GE-T 19A-24B/AI	6	10	19	24	25	40	16	18	30	40	12	19	2	66	0,005	0,07	0,08	0,4
GE-T 24A-32B/AI	8	14	24	32	30	55	18	27	40	55	14	24	2	78	0,014	0,13	0,18	1
GE-T 28A-38B/AI	10	16	28	38	35	65	20	30	48	65	15	27,5	2,5	90	0,025	0,22	0,3	3
GE-T 38A-45B/AI	12	20	38	45	45	80	24	38	66	78	18	36,5	3	114	0,042	0,48	0,55	8

**MOZZO A - B**

**MOZZO B - A**

**MOZZO A - A**

**MOZZO B - B**



**A richiesta:** si eseguono lavorazioni per Foro finito e chiavetta.

**IMPORTANTE**

I Giunti GE-T alluminio possono essere ordinati completi o per singoli componenti  
MOZZO + ELASTOMERO + MOZZO

Disegni CAD disponibili sul sito [www.chiaravalli.com](http://www.chiaravalli.com)

Quantità, disponibilità e prezzi con B2B Chiaravalli






**LEGA D'ALLUMINIO**
**INTERPRETAZIONE DELLA CODIFICA**

Esempio

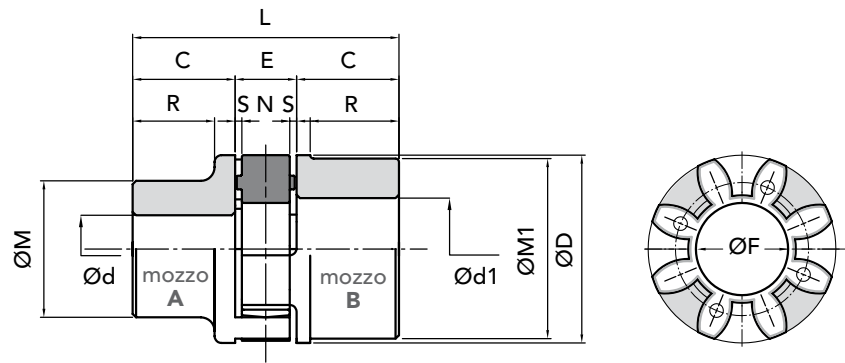
**GE-T 19A-24B/AI** = mozzo A + mozzo B

**GE-T 19A-24B/AI** = mozzo B + mozzo A

**GE-T 19A-19A/AI** = 2 mozzi A

**GE-T 24B-24B/AI** = 2 mozzi B

La caratteristica del giunto è definita dal diametro massimo del foro mozzo.


**CODICI GIUNTI COMPLETI**

TIPO DI GIUNTO	MOZZI	COLORE ANELLO ELASTICO	MATERIALE	CODICE GIUNTI COMPLETI
GE-T 19-24	A + B	NERO	ALLUMINIO	02301900
GE-T 19-24	A + B	ROSSO	ALLUMINIO	02301901
GE-T 19-24	A + A	NERO	ALLUMINIO	02301902
GE-T 19-24	A + A	ROSSO	ALLUMINIO	02301903
GE-T 19-24	B + B	NERO	ALLUMINIO	02301904
GE-T 19-24	B + B	ROSSO	ALLUMINIO	02301905
GE-T 19-24	A + B	GIALLO	ALLUMINIO	02301906
GE-T 19-24	A + A	GIALLO	ALLUMINIO	02301907
GE-T 19-24	B + B	GIALLO	ALLUMINIO	02301908
GE-T 24-32	A + B	NERO	ALLUMINIO	02302400
GE-T 24-32	A + B	ROSSO	ALLUMINIO	02302401
GE-T 24-32	A + A	NERO	ALLUMINIO	02302402
GE-T 24-32	A + A	ROSSO	ALLUMINIO	02302403
GE-T 24-32	B + B	NERO	ALLUMINIO	02302404
GE-T 24-32	B + B	ROSSO	ALLUMINIO	02302405
GE-T 24-32	A + B	GIALLO	ALLUMINIO	02302406
GE-T 24-32	A + A	GIALLO	ALLUMINIO	02302407
GE-T 24-32	B + B	GIALLO	ALLUMINIO	02302408
GE-T 28-38	A + B	NERO	ALLUMINIO	02302800
GE-T 28-38	A + B	ROSSO	ALLUMINIO	02302801
GE-T 28-38	A + A	NERO	ALLUMINIO	02302802
GE-T 28-38	A + A	ROSSO	ALLUMINIO	02302803
GE-T 28-38	B + B	NERO	ALLUMINIO	02302804
GE-T 28-38	B + B	ROSSO	ALLUMINIO	02302805
GE-T 28-38	A + B	GIALLO	ALLUMINIO	02302806
GE-T 28-38	A + A	GIALLO	ALLUMINIO	02302807
GE-T 28-38	B + B	GIALLO	ALLUMINIO	02302808
GE-T 38-45	A + B	NERO	ALLUMINIO	02303800
GE-T 38-45	A + B	ROSSO	ALLUMINIO	02303801
GE-T 38-45	A + A	NERO	ALLUMINIO	02303802
GE-T 38-45	A + A	ROSSO	ALLUMINIO	02303803
GE-T 38-45	B + B	NERO	ALLUMINIO	02303804
GE-T 38-45	B + B	ROSSO	ALLUMINIO	02303805
GE-T 38-45	A + B	GIALLO	ALLUMINIO	02303806
GE-T 38-45	A + A	GIALLO	ALLUMINIO	02303807
GE-T 38-45	B + B	GIALLO	ALLUMINIO	02303808



**GHISA GG25**

con bussola **TAPER LOCK®**

INTERPRETAZIONE DELLA CODIFICA

Esempio

**GE-T 28I-38E** = mozzo I + mozzo E

**GE-T 28E-38I** = mozzo E + mozzo I

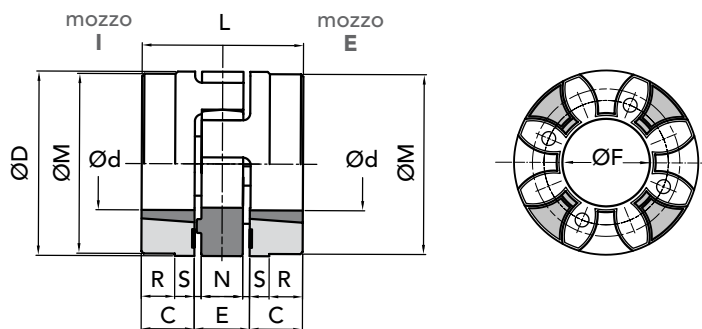
**GE-T 28I-28I** = 2 mozzi I

**GE-T 38E-38E** = 2 mozzi E

Imbocco bussola:

mozzo **I** con serraggio bussola interno

mozzo **E** con serraggio bussola esterno



**CODICI**

TIPO DI GIUNTO	CODICE	CODICE	Elastomero	Elastomero	Poliuretano
	MOZZO	MOZZO	NERO	ROSSO	GIALLO
	I	E	92/94 shore A	96/98 shore A	92/94 shore A
GE-T 28-38 TL	03202841	03202840	02002810	02002811	02002812
GE-T 38-45 TL	03203841	03203840	02003810	02003811	02003812
GE-T 42-55 TL	03204241	03204240	02004210	02004211	02004212
GE-T 48-60 TL	03204841	03204840	02004810	02004811	02004812
GE-T 55-70 TL	03205541	03205540	02005510	02005511	02005512
GE-T 75-90 TL	03207541	03207540	02007510	02007511	02007512

**MISURE - PESI**

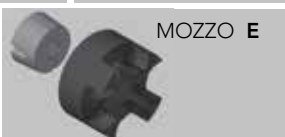
TIPO DI GIUNTO	Bussola Taper Lock	Foro finito d bussola		Misure in mm serie normale								Peso Kg		J Kg cm <sup>2</sup> mozzi	
		Ød max	ØD1 max	C	ØD	E	ØF	ØM	N	S	L	R	elem. elastico		mozzo foro max
GE-T 28-38 TL	1108	14	25	23	65	20	30	65	15	2,5	66	-	0,025	0,50	7
GE-T 38-45 TL	1108	14	25	23	80	24	38	78	18	3	70	15	0,042	0,88	26
GE-T 42-55 TL	1610	14	42	26	95	26	46	94	20	3	78	16	0,066	1,40	36
GE-T 48-60 TL	1615	19	40	39	105	28	51	104	21	3,5	106	28	0,088	2,33	78
GE-T 55-70 TL	2012	19	50	33	120	30	60	118	22	4	96	20	0,116	2,42	120
GE-T 75-90 TL	2517	19	65	57	160	40	80	158	30	5	154	41	0,325	6,80	630

**MOZZO I - E**

**MOZZO E - I**

**MOZZO I - I**

**MOZZO E - E**



**IMPORTANTE**

I Giunti GE-T Taper Lock® possono essere ordinati completi o per singoli componenti  
 MOZZO + ELASTOMERO + MOZZO

Disegni CAD disponibili sul sito  
[www.chiaravalli.com](http://www.chiaravalli.com)

Quantità, disponibilità e prezzi  
 con B2B Chiaravalli



"GIFLEX®" SERIE GE-T ESECUZIONE PRECISA TL  
 J momento d'inerzia MOZZO A+B con foro Ø max


**GHISA GG25**
**INTERPRETAZIONE DELLA CODIFICA**

Esempio

**GE-T 28I-38E** = mozzo I + mozzo E

**GE-T 28E-38I** = mozzo E + mozzo I

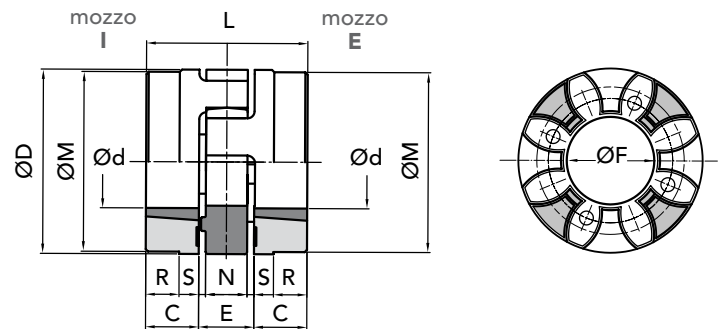
**GE-T 28I-28I** = 2 mozzi I

**GE-T 38E-38E** = 2 mozzi E

Imbocco bussola:

 mozzo **I** con serraggio bussola interno

 mozzo **E** con serraggio bussola esterno

**con bussola TAPER LOCK®**

**CODICI GIUNTI COMPLETI**

TIPO DI GIUNTO	MOZZI	COLORE ANELLO ELASTICO	MATERIALE	CODICE GIUNTI COMPLETI
GE-T 28-38	E + I	NERO	GHISA	03202800
GE-T 28-38	E + I	ROSSO	GHISA	03202801
GE-T 28-38	E + E	ROSSO	GHISA	03202802
GE-T 28-38	I + I	ROSSO	GHISA	03202803
GE-T 28-38	E + E	NERO	GHISA	03202804
GE-T 28-38	I + I	NERO	GHISA	03202805
GE-T 28-38	E + I	GIALLO	GHISA	03202806
GE-T 28-38	E + E	GIALLO	GHISA	03202807
GE-T 28-38	I + I	GIALLO	GHISA	03202808
GE-T 38-45	E + I	NERO	GHISA	03203800
GE-T 38-45	E + I	ROSSO	GHISA	03203801
GE-T 38-45	E + E	ROSSO	GHISA	03203802
GE-T 38-45	I + I	ROSSO	GHISA	03203803
GE-T 38-45	E + E	NERO	GHISA	03203804
GE-T 38-45	I + I	NERO	GHISA	03203805
GE-T 38-45	E + I	GIALLO	GHISA	03203806
GE-T 38-45	E + E	GIALLO	GHISA	03203807
GE-T 38-45	I + I	GIALLO	GHISA	03203808
GE-T 42-55	E + I	NERO	GHISA	03204200
GE-T 42-55	E + I	ROSSO	GHISA	03204201
GE-T 42-55	E + E	ROSSO	GHISA	03204202
GE-T 42-55	I + I	ROSSO	GHISA	03204203
GE-T 42-55	E + E	NERO	GHISA	03204204
GE-T 42-55	I + I	NERO	GHISA	03204205
GE-T 42-55	E + I	GIALLO	GHISA	03204206
GE-T 42-55	E + E	GIALLO	GHISA	03204207
GE-T 42-55	I + I	GIALLO	GHISA	03204208
GE-T 48-60	E + I	NERO	GHISA	03204800
GE-T 48-60	E + I	ROSSO	GHISA	03204801
GE-T 48-60	E + E	ROSSO	GHISA	03204802
GE-T 48-60	I + I	ROSSO	GHISA	03204803
GE-T 48-60	E + E	NERO	GHISA	03204804
GE-T 48-60	I + I	NERO	GHISA	03204805
GE-T 48-60	E + I	GIALLO	GHISA	03204806
GE-T 48-60	E + E	GIALLO	GHISA	03204807
GE-T 48-60	I + I	GIALLO	GHISA	03204808
GE-T 55-70	E + I	NERO	GHISA	03205500
GE-T 55-70	E + I	ROSSO	GHISA	03205501
GE-T 55-70	E + E	ROSSO	GHISA	03205502
GE-T 55-70	I + I	ROSSO	GHISA	03205503
GE-T 55-70	E + E	NERO	GHISA	03205504
GE-T 55-70	I + I	NERO	GHISA	03205505
GE-T 55-70	E + I	GIALLO	GHISA	03205506
GE-T 55-70	E + E	GIALLO	GHISA	03205507
GE-T 55-70	I + I	GIALLO	GHISA	03205508
GE-T 75-90	E + I	NERO	GHISA	03207500
GE-T 75-90	E + I	ROSSO	GHISA	03207501
GE-T 75-90	E + E	ROSSO	GHISA	03207502
GE-T 75-90	I + I	ROSSO	GHISA	03207503
GE-T 75-90	E + E	NERO	GHISA	03207504
GE-T 75-90	I + I	NERO	GHISA	03207505
GE-T 75-90	E + I	GIALLO	GHISA	03207506
GE-T 75-90	E + E	GIALLO	GHISA	03207507
GE-T 75-90	I + I	GIALLO	GHISA	03207508



**ESEMPI DI APPLICAZIONE**

Con motori trifase a 50Hz  
 giri massimi 3000 giri

I dati tecnici sotto riportati così come la tipologia dei giunti suggeriti non sono assolutamente impegnativi per la società CHIARAVALLI GROUP SpA e valgono a titolo di semplice esempio applicativo.



MOTORE ELETTRICO TIPO	Ø d ALBERO MOTORE	Potenza Motore a 50 Hz n = 3000 min P (kW) T (Nm)		GIUNTO GE-T	
				TIPO	Fs
80	19	1,1	3,6	<b>19/24</b>	5,4
90 S	24	1,5	4,9		4,0
90 L	24	2,2	7,2		2,7
100 L	28	3	9,8	<b>24/32</b>	7,1
112 M	28	4	13,1		5,4
132 S	38	7,5	-	<b>28/38</b>	7,6
132 M	38	-	-		-
160 M	42	15	49	<b>38/45</b>	7,8
160 L	42	18,5	60		6,3
180 M	48	22	72	<b>42/55</b>	7,5
180 L	48	-	-		-
200 L	55	37	121		4,4
225 S	60	-	-	-	
225 M	60	45	47	3,7	
250 M	65	55	180	<b>48/60</b>	3,5
280 S	75	75	246	<b>55/70</b>	3,1
280 M	75	90	295		2,6
315 S	80	110	360		2,1
315 M	80	132	433	<b>75/90</b>	4,6
315 L	80	200	656		3,0
355 L	100	315	1010	<b>90/100</b>	4,8
400 L	100	400	1280		3,8

**GIUNTI SERIE GE-T ESEMPI DI APPLICAZIONE PER MOTORI STANDARD CE**



### INTRODUZIONE

I giunti elastici GE-T SG in lega d'alluminio sono composti da tre elementi precaricati ed esenti da gioco.

Previsti per il montaggio ad innesto sono indicati per l'utilizzo su impianti dove sia richiesta una coppia di esercizio bassa, nei processi industriali dove i giunti devono rispondere ad esigenze ben precise.

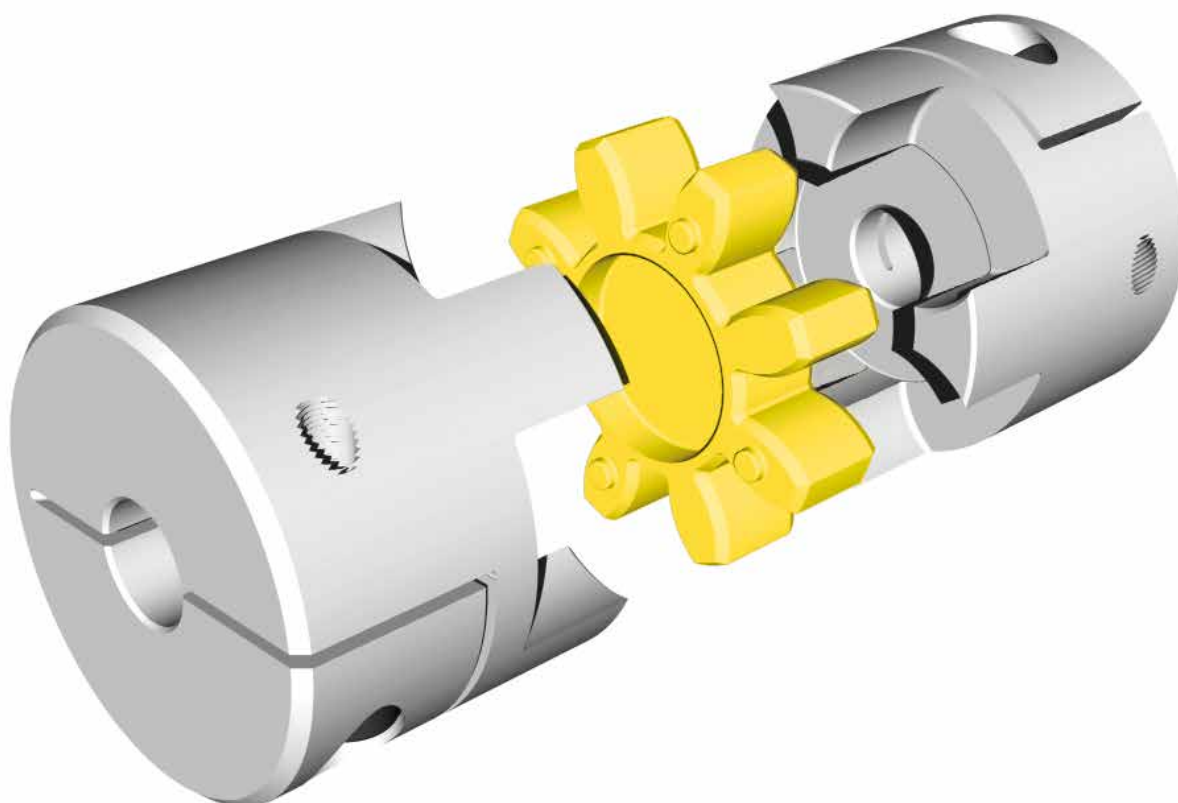
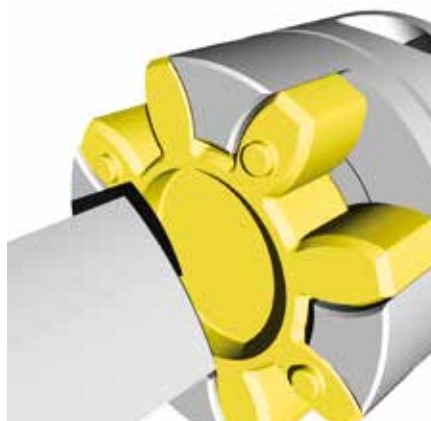
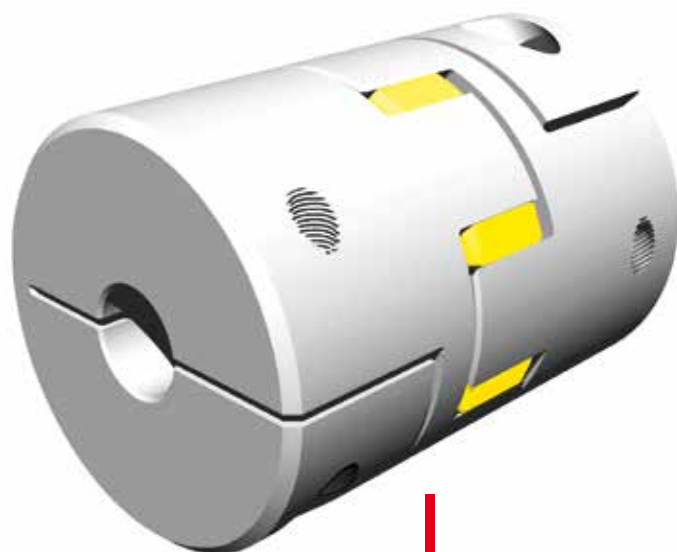
Grazie alle dimensioni ridotte, ed al montaggio particolarmente facile operano in piccoli spazi offrendo notevoli vantaggi alla progettazione.

### CARATTERISTICHE

L'esecuzione con serraggio a morsetto permette un fissaggio rapido e sicuro con assenza di giochi tra albero e mozzo. È comunque importante osservare la coppia di serraggio (MS) della vite riportata in tabella.

Verificare sempre la coppia trasmissibile dal morsetto in funzione del diametro (F) oltre che la misura del giunto stesso riportata in tabella.

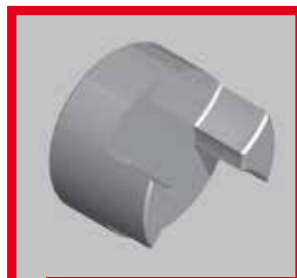
L'elemento elastico a forma di stella viene introdotto con leggero precarico negli innesti dei mozzi garantendo così la trasmissione della coppia necessaria con assenza di gioco.







**MOZZO ESECUZIONE A**



**MOZZO ESECUZIONE B**

La differenza tra il Mozzo Esecuzione A ed il Mozzo Esecuzione B è data solo dalle dimensioni.



**MOZZO ESECUZIONE C**



**MOZZO ESECUZIONE D**

La differenza tra il Mozzo Esecuzione C ed il Mozzo Esecuzione D è data solo dai tagli.



**POLIURETANO GIALLO**



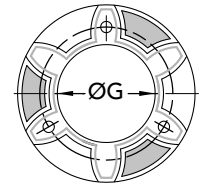
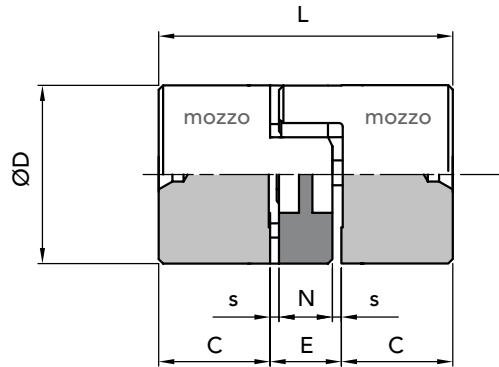
**POLIURETANO ROSSO**



**POLIURETANO BLU**


**GIUNTI SENZA GIOCO**

**MOZZO ESECUZIONE A**  
**PIENO IN LEGA D'ALLUMINIO**  
 con inserto stellare  
 a 4 punte **GE-T 09 SG**  
**GE-T 14 SG**  
 a 6 punte **GE-T 19-24 SG**



inserto stellare a 6 punte

**DATI TECNICI**

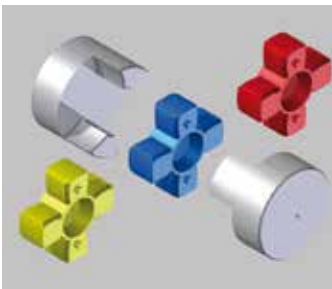
TIPO DI GIUNTO	DUREZZA INS. STELLARE shore A		N° giri max V=30m/s	Nm		Tors. statica Nm/rad	Rigidità Nm/rad		Peso kg.		Mom. d'inerzia di massa Kg <sup>m2</sup> x 10 <sup>-6</sup>
	4 punte	6 punte		Tk n coppia nominale	Tk max coppia max		Tors. dinam. Nm/rad	radiale N/mm	Mozzo	Stella	
<b>GE-T 09 SG</b>	80	4 punte	28000	1,8	3,6	17,02	52	125	0,009	0,002	0,57
	92/94	4 punte		3,0	6,0	31,5	95	262			
	96/98	4 punte		5,0	10,0	51,5	150	518			
<b>GE-T 14 SG</b>	80	4 punte	19000	4,0	8,0	60,2	180	153	0,020	0,005	3,25
	92/94	4 punte		7,5	15,0	114,6	344	336			
	96/98	4 punte		12,5	25,0	172,0	513	604			
<b>GE-T 19-24 SG</b>	80	6 punte	14000	4,9	9,8	343,8	1030	582	0,066	0,007	21,90
	92/94	6 punte		10,0	20,0	573,0	1720	1120			
	96/98	6 punte		17,0	34,0	859,0	2580	2010			

**NB: per velocità periferica superiore a V=30m/s è necessaria la bilanciatura dinamica**

TIPO DI GIUNTO	CODICE MOZZO PIENO	Poliuretano BLU	Poliuretano ROSSO	Poliuretano GIALLO
		80 shore A	96/98 shore A	92/94 shore A
GE-T 09 SG	02509200	02509102	02509104	02509100
GE-T 14 SG	02514200	02514102	02514104	02514100
GE-T 19-24 SG	02519200	02519102	02519104	02519100

**DIMENSIONI**

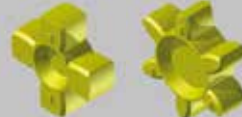
TIPO DI GIUNTO	Ø Foro minimo realizzabile	Ø Foro massimo realizzabile	Ø D	Ø G	L	C	E	N	S
GE-T 09 SG	4	9	20	7,2	30	10	10	8	1,0
GE-T 14 SG	4	14	30	10,5	35	11	13	10	2,5
GE-T 19-24 SG	10	20	40	18	66	25	16	12	2,0


**GIUNTO GE-T SG CON MOZZO ESECUZIONE A PIENO IN LEGA D'ALLUMINIO**

MOZZO



POLIURETANO GIALLO



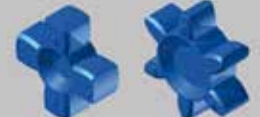
TEMPERATURE D'ESERCIZIO - 40° + 90°

POLIURETANO ROSSO



TEMPERATURE D'ESERCIZIO - 30° + 90°

POLIURETANO BLU



TEMPERATURE D'ESERCIZIO - 50° + 80°

**A richiesta:** si eseguono lavorazioni per Foro finito e chiave.

**IMPORTANTE**

 I Giunti vanno ordinati per singoli componenti  
 MOZZO + ELASTOMERO + MOZZO

 Disegni CAD disponibili sul sito  
[www.chiaravalli.com](http://www.chiaravalli.com)

Mozzi Esecuzione A


 Quantità, disponibilità e prezzi  
 con B2B Chiaravalli



**GIUNTI SENZA GIOCO**

**MOZZO ESECUZIONE B**

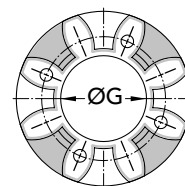
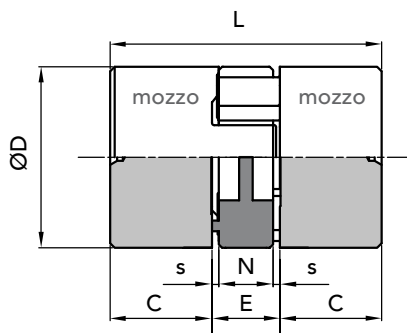
PIENO IN LEGA D'ALLUMINIO

con inserto stellare

a 6 punte **GE-T 24-28 SG**

a 8 punte **GE-T 28-38 SG**

**GE-T 38/45 SG**



inserto stellare a 8 punte

**DATI TECNICI**

TIPO DI GIUNTO	DUREZZA INS. STELLARE shore A		N° giri max V=30m/s	Nm		Tors. statica Nm/rad	Rigidità		Peso kg.		Mom. d'inerzia di massa Kg <sup>m</sup> ² x 10 <sup>-6</sup>			
	6 punte	8 punte		Tk n coppia nominale	Tk max coppia max		Tors. dinam. Nm/rad	radiale N/mm	Mozzo	Stella				
<b>GE-T 24-28 SG</b>	80	6 punte	10600	17,0	34,0	1432,0	4296	1480	0,132	0,018	58,30			
	92/94	6 punte		35,0	70,0							2063,0	6189	2560
	96/98	6 punte		60,0	120,0							2292,0	6879	1780
<b>GE-T 28-38 SG</b>	80	8 punte	8500	46,0	92,0	3438,0	10315	3200	0,253	0,029	216,80			
	92/94	8 punte		95,0	190,0							2292,0	6879	1780
	96/98	8 punte		160,0	320,0							4589,0	13752	2350
<b>GE-T 38-45 SG</b>	80	8 punte	7100	94,0	188,0	7160,0	21485	4400	0,455	0,049	445,20			
	92/94	8 punte		190,0	380,0							4589,0	13752	2350
	96/98	8 punte		325,0	650,0							7160,0	21485	4400

**NB:** per velocità periferica superiore a V=30m/s è necessaria la bilanciatura dinamica

TIPO DI GIUNTO	CODICE MOZZO PIENO	Poliuretano BLU	Poliuretano ROSSO	Poliuretano GIALLO
		80 shore A	96/98 shore A	92/94 shore A
GE-T 24-28 SG	02524200	02524102	02524104	02524100
GE-T 28-38 SG	02528200	02528102	02528104	02528100
GE-T 38-45 SG	02538200	02538102	02538104	02538100

**DIMENSIONI**

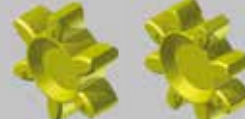
TIPO DI GIUNTO	Ø Foro minimo realizzabile	Ø Foro massimo realizzabile	DIMENSIONI							
			ØD	ØG	L	C	E	N	S	
GE-T 24-28 SG	15	28	55	27	78	30	18	14	2,0	
GE-T 28-38 SG	19	35	65	30	90	35	20	15	2,5	
GE-T 38-45 SG	20	45	80	38	114	45	24	18	3,0	

**GIUNTO GE-T SG CON MOZZO ESECUZIONE B PIENO IN LEGA D'ALLUMINIO**

MOZZO



POLIURETANO GIALLO



TEMPERATURE D'ESERCIZIO - 40° + 90°

POLIURETANO ROSSO



TEMPERATURE D'ESERCIZIO - 30° + 90°

POLIURETANO BLU



TEMPERATURE D'ESERCIZIO - 50° + 80°

Mozzi Esecuzione B



**A richiesta:** si eseguono lavorazioni per Foro finito e chiavetta.

**IMPORTANTE**

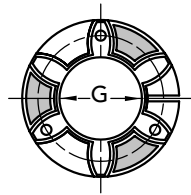
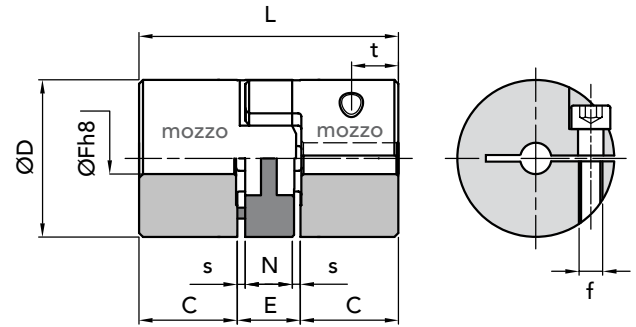
I Giunti vanno ordinati per singoli componenti MOZZO + ELASTOMERO + MOZZO

Disegni CAD disponibili sul sito [www.chiaravalli.com](http://www.chiaravalli.com)

**Quantità, disponibilità e prezzi con B2B Chiaravalli**


**GIUNTI SENZA GIOCO**

**MOZZO ESECUZIONE C**  
**CON TAGLIO SEMPLICE**  
**IN LEGA D'ALLUMINIO**  
 con inserto stellare  
 a 4 punte **GE-T 09 SG**  
**GE-T 14 SG**  
 a 6 punte **GE-T 19-24 SG**


 inserto stellare  
 a 6 punte

**DATI TECNICI**

TIPO DI GIUNTO	DUREZZA INS. STELLARE shore A		N° giri max V=30m/s	Nm		Tors. statica Nm/rad	Rigidità Nm/rad		Peso kg.		Mom. d'inerzia di massa Kgm² x 10 <sup>-6</sup>
	TK n coppia nominale	TK max coppia max		Tors. dinam. Nm/rad	radiale N/mm		Mozzo	Stella			
<b>GE-T 09 SG</b>	80	4 punte	28000	1,8	3,6	17,02	52	125	0,009	0,002	0,57
	92/94	4 punte		3,0	6,0	31,5	95	262			
	96/98	4 punte		5,0	10,0	51,5	150	518			
<b>GE-T 14 SG</b>	80	4 punte	19000	4,0	8,0	60,2	180	153	0,020	0,005	3,25
	92/94	4 punte		7,5	15,0	114,6	344	336			
	96/98	4 punte		12,5	25,0	172,0	513	604			
<b>GE-T 19-24 SG</b>	80	6 punte	14000	4,9	9,8	343,8	1030	582	0,066	0,007	21,90
	92/94	6 punte		10,0	20,0	573,0	1720	1120			
	96/98	6 punte		17,0	34,0	859,0	2580	2010			

**NB: per velocità periferica superiore a V=30m/s è necessaria la bilanciatura dinamica**

TIPO DI GIUNTO	CODICE MOZZO ESECUZIONE C CON TAGLIO SEMPLICE	Poliuretano BLU	Poliuretano ROSSO	Poliuretano GIALLO
		80 shore A	96/98 shore A	92/94 shore A
<b>GE-T 09 SG</b>	025092-- + Ø foro	02509102	02509104	02509100
<b>GE-T 14 SG</b>	025142-- + Ø foro	02514102	02514104	02514100
<b>GE-T 19-24 SG</b>	025192-- + Ø foro	02519102	02519104	02519100

**DIMENSIONI**

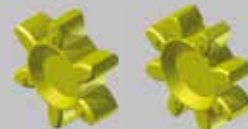
TIPO DI GIUNTO	ØF fori disponibili in tolleranza h8								Ms viti (Nm) coppia serraggio		t								
	5	6	8	10	12	14	15	16	ØD	ØG		L	C	E	N	s	f		
<b>GE-T 09 SG</b>	5	6	8	10					20	7,2	30	10	10	8	1,0	M2,5	0,75	5	
COPPIA TRASMISSIBILE (Nm)		1,55	1,63	1,79	1,94														
<b>GE-T 14 SG</b>	5	6	8	10	12	14	15	16	30	10,5	35	11	13	10	2,5	M3	1,40	5	
COPPIA TRASMISSIBILE (Nm)		3,32	3,43	3,67	3,91	4,14	4,38	4,5											
<b>GE-T 19-24 SG</b>	8	10	12	14	15	16	18	19	40	18	66	25	16	12	2,0	M6	11,0	12	
COPPIA TRASMISSIBILE (Nm)		18	19	20	21	21,5	22	22,5	23	24									


**GIUNTO GE-T SG CON MOZZO ESECUZIONE C TAGLIO SEMPLICE IN LEGA D'ALLUMINIO**

MOZZO



POLIURETANO GIALLO


 TEMPERATURE D'ESERCIZIO  
 - 40° + 90°

POLIURETANO ROSSO


 TEMPERATURE D'ESERCIZIO  
 - 30° + 90°

POLIURETANO BLU


 TEMPERATURE D'ESERCIZIO  
 - 50° + 80°

**IMPORTANTE**

 I Giunti vanno ordinati per singoli componenti  
 MOZZO + ELASTOMERO + MOZZO

Mozzi Esecuzione C


 Disegni CAD disponibili sul sito  
[www.chiaravalli.com](http://www.chiaravalli.com)

 Quantità, disponibilità e prezzi  
 con B2B Chiaravalli



**GIUNTI SENZA GIOCO**

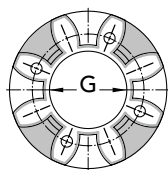
**MOZZO ESECUZIONE D  
 CON TAGLIO DOPPIO  
 IN LEGA D'ALLUMINIO**

con inserto stellare

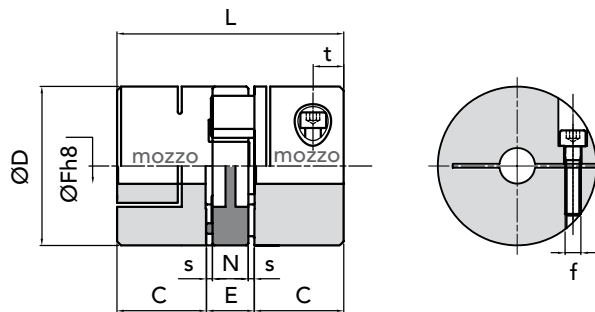
a 8 punte **GE-T 24-28 SG**

**GE-T 28-38 SG**

**GE-T 38/45 SG**



inserto stellare  
a 8 punte



**DATI TECNICI**

TIPO DI GIUNTO	DUREZZA INS. STELLARE shore A	N° giri max V=30m/s	Nm			Tors. statica Nm/rad	Rigidità Tors. dinam. Nm/rad	Rigidità radiale N/mm	Peso kg.		Mom. d'inerzia di massa Kg <sup>m2</sup> x 10 <sup>-6</sup>
			Tk n coppia nominale	Tk max coppia max	Tors. statica				Mozzo	Stella	
<b>GE-T 24-28 SG</b>	80 8 punte	10600	17,0	34,0	1432,0	4296	1480	0,132	0,018	58,30	
	92/94 8 punte		35,0	70,0							
	96/98 8 punte		60,0	120,0							
<b>GE-T 28-38 SG</b>	80 8 punte	8500	46,0	92,0	2292,0	6879	1780	0,253	0,029	216,80	
	92/94 8 punte		95,0	190,0							
	96/98 8 punte		160,0	320,0							
<b>GE-T 38-45 SG</b>	80 8 punte	7100	94,0	188,0	4589,0	13752	2350	0,455	0,049	445,20	
	92/94 8 punte		190,0	380,0							
	96/98 8 punte		325,0	650,0							

**NB:** per velocità periferica superiore a V=30m/s è necessaria la bilanciatura dinamica

TIPO DI GIUNTO	CODICE MOZZO ESECUZIONE D CON TAGLIO DOPPIO	Poliuretano BLU	Poliuretano ROSSO	Poliuretano GIALLO
		80 shore A	96/98 shore A	92/94 shore A
GE-T 24-28 SG	025242-- + Ø foro	02524102	02524104	02524100
GE-T 28-38 SG	025282-- + Ø foro	02528102	02528104	02528100
GE-T 38-45 SG	025382-- + Ø foro	02538102	02538104	02538100

**DIMENSIONI**

TIPO DI GIUNTO	ØF fori disponibili in tolleranza h8											Ms viti (Nm) coppia serraggio										
	12	14	15	16	18	19	20	22	24	25	28	ØD	ØG	L	C	E	N	s	f	t		
<b>GE-T 24-28 SG</b>	12	14	15	16	18	19	20	22	24	25	28	55	27	78	30	18	14	2,0	M6	11,0	14	
COPPIA TRASMISSIBILE (Nm)	25	26	27	27,5	28	28,5	29	30	31	32	33											
<b>GE-T 28-38 SG</b>	18	19	20	22	24	25	28	30	32	35	65	30	90	35	20	15	2,5	M8	25,0	15		
COPPIA TRASMISSIBILE (Nm)	60	61	62	63	65	66	69	71	73	75												
<b>GE-T 38-45 SG</b>	18	19	20	22	24	25	28	30	32	35	38	40	80	38	114	45	24	18	3,0	M8	25,0	20
COPPIA TRASMISSIBILE (Nm)	69	70	71	73	74	78	78	80	81	84	87	88										

**GIUNTO GE-T SG CON MOZZO ESECUZIONE D TAGLIO DOPPIO IN LEGA D'ALLUMINIO**



MoZZi Esecuzione D



**IMPORTANTE**

I Giunti vanno ordinati per singoli componenti  
 MOZZO + ELASTOMERO + MOZZO

Disegni CAD disponibili sul sito  
[www.chiaravalli.com](http://www.chiaravalli.com)

Quantità, disponibilità e prezzi  
 con B2B Chiaravalli

"GIFLEX®" SERIE GE-T GIUNTI ELASTICI TORSIONALI SENZA GIOCO ESECUZIONE MOZZO D





# GIUNTI FLESSIBILI DENTATI DOPPIA CURVATURA

GIUNTI FLESSIBILI DENTATI A DOPPIA CURVATURA "GIFLEX®" SERIE GF CON MANICOTTO IN POLIAMMIDE

**SERIE GF**



GIUNTO **GF** MANICOTTO IN POLIAMMIDE



## INTRODUZIONE

I giunti flessibili a denti della serie GIFLEX, sono giunti commerciali per impiego generico, che presentano tuttavia un elevato standard qualitativo ed offrono caratteristiche tecniche e prestazioni tipiche dei giunti industriali.

Il settore d'impiego specifico, è quello delle trasmissioni di potenza per il collegamento flessibile di organi rotanti, con possibilità di compensare disallineamenti radiali ed angolari e di assorbire scorrimenti in direzione assiale.

Le prestazioni sono quelle tipiche di questa categoria di giunti, rese più severe e meglio adatte alle esigenze della pratica industriale, dai criteri progettuali adottati e della cura con la quale vengono lavorati e sistematicamente controllati.

## COSTRUZIONE

Costruttivamente i giunti flessibili a denti sono costituiti da due mozzi simmetrici in acciaio e da un manicotto in resina sintetica che assicura l'accoppiamento e la trasmissione di potenza tra i due mozzi.

I due mozzi in acciaio a basso tenore di carbonio e con trattamento superficiale anticorrosione, sono dotati ciascuno di una corona dentata.

Il manicotto cavo a dentatura interna ottenuto da stampaggio ad iniezione, è costituito da un tecnopolimero semicristallino ad alto peso molecolare, garantito da certificazione all'origine, condizionato termicamente e caricato con un lubrificante solido che contribuisce ad esaltare le caratteristiche di autolubrificazione tipiche del polimero.

La dentatura dei due mozzi a doppia curvatura progressiva, ottenuta su macchina utensile a CNC, assicura al giunto prestazioni ottimali, consentendo la compensazione ANCHE SOTTOCARICO di disassamenti angolari e radiali di natura dinamica.

A parità di un momento torcente trasmesso, la geometria specifica del dente, riduce considerevolmente la pressione superficiale aumentando la capacità di trasmissione del carico da parte del giunto e la sua resistenza alla fatica.

La relativa insensibilità all'umidità atmosferica del polimero e la sua capacità di sopportare temperature tra -20 e +120 gradi Centigradi con punte di breve durata fino a + 150 gradi, rendono il giunto idoneo a sopportare condizioni di impiego gravose anche in ambiente ostile.

## CARATTERISTICHE

In pratica i giunti offrono le sottospecificate prestazioni:

- Ingombro, peso e momento d'inerzia ridotti.
- Comportamento omocinetico alla velocità.
- Silenziosità di marcia e capacità di assorbire elasticamente urti e vibrazioni.
- Resistenza ai più comuni aggressivi chimici ed al calore moderato, max. temp. 80°.
- Sono autolubrificanti, elettricamente isolanti e non richiedono manutenzione.
- Risultano di costo contenuto, di facile montaggio e si prestano ad una molteplicità di impieghi anche gravosi.

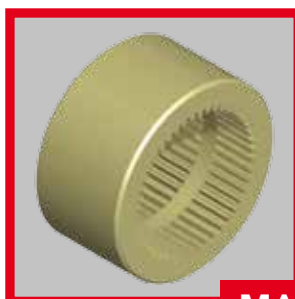
## TIPOLOGIA DEI MOZZI con GIUNTI SERIE GF



**MOZZO NORMALE**



**MOZZO LUNGO**



**MANICOTTO**

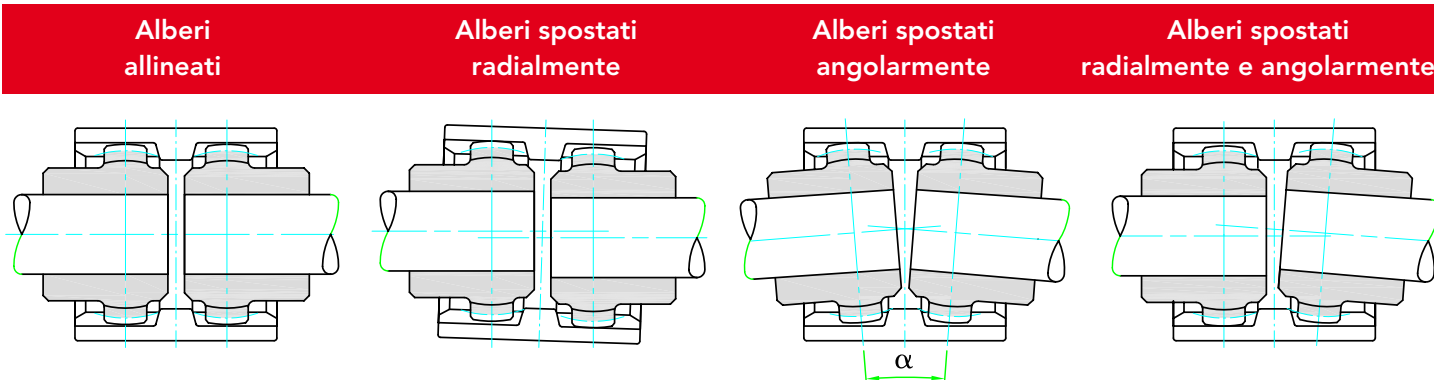


## SCelta DEL GIUNTO

Scelta in base alla coppia:  
 il giunto deve essere scelto in modo  
 che la coppia max non superi il  
 momento torcente di punta ammissibile  
 del giunto.

## NORME PER IL MONTAGGIO

- Fissare i due semi-giunti agli alberi, facendo attenzione che le facciate interne siano a filo con le estremità degli alberi.
- Infilare il manicotto su i due semigiunti regolando la distanza degli stessi (quota "G") allineando contemporaneamente i due alberi.
- Fissare in posizione i due elementi da accoppiare.
- Prima di far ruotare il giunto verificare che il manicotto sia libero di spostarsi assialmente.



## DATI TECNICI

TIPO DI GIUNTO	Fattore di potenza Kw giri / minuto		Coppia Nm		Potenza trasmessa in Kw a giri / minuto								giri / 1'	massa kg	J kg cm <sup>2</sup>	Disassamento max per ogni mozzo		Spost. Assiale mm
	norm	max	norm	max	750		1000		1500		3000					max	Angol. a	
<b>GF 14</b>	0,0011	0,0023	11,5	23	0,8	1,5	1,1	2,0	1,6	3,0	3,3	6,0	14.000	0,166	0,27	± 2°	0,7	± 1
<b>GF 19</b>	0,0019	0,0037	18,5	36,5	1,3	2,7	1,8	3,7	2,7	5,5	5,4	11,1	12.000	0,276	0,64	± 2°	0,8	± 1
<b>GF 24</b>	0,0023	0,0047	23	46	1,7	3,5	2,3	4,7	3,4	7,0	6,9	14,1	10.000	0,312	0,92	± 2°	0,8	± 1
<b>GF 28</b>	0,0053	0,0106	51,5	103,5	3,9	7,9	5,2	10,6	7,8	15,9	15,6	31,8	8.000	0,779	3,45	± 2°	1,0	± 1
<b>GF 32</b>	0,0071	0,0142	69	138	5,2	10,5	7,0	14,1	10,5	21,1	21,0	42,3	7.100	0,918	5,03	± 2°	1,0	± 1
<b>GF 38</b>	0,0090	0,0181	88	176	6,7	13,5	9,0	18,0	13,5	27,0	27,0	54,0	6.300	1,278	9,59	± 2°	0,9	± 1
<b>GF 42</b>	0,0113	0,0226	110	220	8,4	16,8	11,2	22,5	16,8	33,7	33,6	67,5	6.000	1,473	13,06	± 2°	0,9	± 1
<b>GF 48</b>	0,0158	0,0317	154	308	11,8	23,6	15,8	31,6	23,7	47,4	47,4	94,8	5.600	1,777	18,15	± 2°	0,9	± 1
<b>GF 55</b>	0,029	0,058	285	570	21,7	43,5	29,0	58,0	43,5	87,0	87,0	174,0	4.800	3,380	49,44	± 2°	1,2	± 1
<b>GF 65</b>	0,0432	0,0865	420	840	32,1	64,3	42,9	85,8	64,3	128,7	128,7	257,4	4.000	4,988	106,34	± 2°	1,3	± 1

**J** momento d'inerzia MOZZO A+B  
 con foro Ø max

Disegni CAD disponibili sul sito  
[www.chiaravalli.com](http://www.chiaravalli.com)

Quantità, disponibilità e prezzi  
 con B2B Chiaravalli



**MANICOTTO IN POLIAMMIDE**

**INTERPRETAZIONE DELLA CODIFICA**

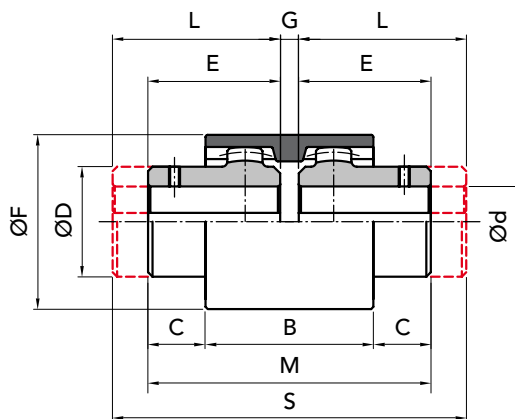
Esempio

**GF 14-NN** con due mozzi normali

**GF 14-NL** con un mozzo normale  
e un mozzo lungo

**GF 14-LL** con due mozzi lunghi

La caratteristica del giunto è definita dal diametro massimo del foro mozzo.



**CODICI PER GIUNTO COMPLETO**

**CODICI PER SINGOLI COMPONENTI**

TIPO DI GIUNTO	CODICE GF NN	CODICE GF NL	CODICE GF LL	MOZZO NORMALE	MOZZO LUNGO	MANICOTTO NYLON
GF 14	00101402	00101400	00101404	00101420	00101440	00101410
GF 19	00101902	00101900	00101904	00101920	00101940	00101910
GF 24	00102402	00102400	00102404	00102420	00102440	00102410
GF 28	00102802	00102800	00102804	00102820	00102840	00102810
GF 32	00103202	00103200	00103204	00103220	00103240	00103210
GF 38	00103802	00103800	00103804	00103820	00103840	00103810
GF 42	00104202	00104200	00104204	00104220	00104240	00104210
GF 48	00104802	00104800	00104804	00104820	00104840	00104810
GF 55	00105502	00105500	00105504	00105520	00105540	00105510
GF 65	00106502	00106500	00106504	00106520	00106540	00106510

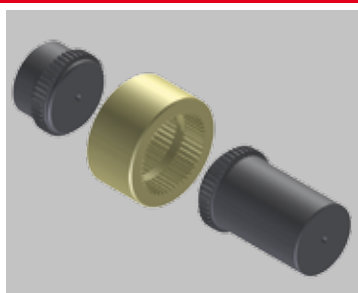
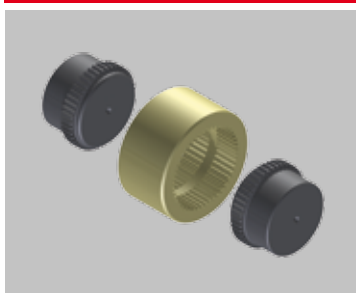
**MISURE - PESI**

TIPO DI GIUNTO	senza foro	Ød foro finito in tolleranza h7		misure in mm									massa Kg		
		A RICHIESTA		serie normale					serie lunga				manicotto	mozzo normale	mozzo lungo
		min	max	B	C	ØD	E	ØF	G	M	L	S			
GF 14	-	6	14	38	6,5	25	23,5	41	4	51	30	64	0,022	0,10	0,13
GF 19	-	8	19	38	8,5	32	25,5	48	4	55	40	84	0,028	0,18	0,28
GF 24	-	10	24	42	7,5	36	26,5	52	4	57	50	104	0,037	0,23	0,42
GF 28	-	10	28	48	19	45	41	68	4	86	60	124	0,086	0,54	0,79
GF 32	-	12	32	48	18	50	40	75	4	84	60	124	0,104	0,66	0,97
GF 38	-	14	38	50	17	58	40	85	4	84	80	164	0,131	0,93	1,83
GF 42	-	20	42	50	19	63	42	95	4	88	110	224	0,187	1,10	2,76
GF 48	-	20	48	50	27	68	50	100	4	104	110	224	0,198	1,50	3,21
GF 55	-	25	55	65	29,5	82	60	120	4	124	110	224	0,357	2,63	5,12
GF 65	-	25	65	72	36	95	70	140	4	144	140	284	0,595	4,02	7,90

**GF NN**

**GF NL**

**GF LL**

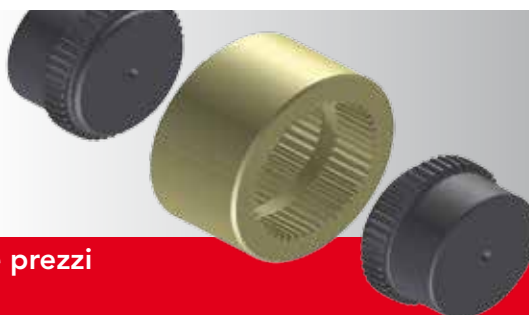


**IMPORTANTE**

I Giunti GF possono essere ordinati completi o per singoli componenti

Disegni CAD disponibili sul sito [www.chiaravalli.com](http://www.chiaravalli.com)

Quantità, disponibilità e prezzi con B2B Chiaravalli



GIUNTI FLESSIBILI DENTATI A DOPPIA CURVATURA "GIFLEX®" SERIE GF con MANICOTTO IN POLIAMMIDE





# GIUNTI FLESSIBILI DENTATI DOPPIA CURVATURA

GIUNTI FLESSIBILI DENTATI A DOPPIA CURVATURA "GIFLEX®" GFA con MANICOTTO IN ACCIAIO

**SERIE GFA**



GIUNTO **GFA** MANICOTTO IN ACCIAIO





## PRESENTAZIONE

I giunti della serie "GIFLEX®" GFA sono giunti di costruzione compatta per impieghi industriali, torsionalmente rigidi e con capacità di compensare disallineamenti angolari, paralleli e combinati.

La particolare configurazione con manicotto monopezzo e guarnizioni di tenuta alle due estremità, li rende adatti ad operare in ambienti ostili ed in condizioni di esercizio particolarmente gravose.

Le prestazioni sono quelle caratteristiche di un giunto omocinetico a doppia articolazione, destinato sia ad applicazioni generiche che specifiche e con possibilità di installazione anche su alberi con elevata luce libera.

I limiti operativi definiti dalla coppia massima, dalla velocità di rotazione e dal disallineamento angolare ammissibile, sono frutto di un progetto basato sulla scelta mirata dei materiali, dei trattamenti termici e della geometria delle dentature.

L'affidabilità dei limiti operativi dichiarati, è stata confermata da verifica del limite di fatica sia alla pressione superficiale (pressione Hertziana) che alla flessione e ad usura distruttiva, secondo schemi di calcolo desunti dalla più autorevole normativa internazionale.

L'Ufficio Tecnico della CHIARAVALLI GROUP SpA è in ogni caso disponibile per esaminare in collaborazione con gli utilizzatori, problemi che comportano la scelta, l'applicazione e la manutenzione dei giunti.

A specifica richiesta ed in alternativa ai giunti in esecuzione normale, possono venir proposti e realizzati giunti speciali per forma, esecuzione e prestazioni quali ad esempio:

- Giunti per disassamenti angolari e paralleli elevati.
- Giunti in acciaio ad alta resistenza e con trattamenti termici di indurimento superficiale.
- Giunti con mozzi cementati e temprati e dentature finite di utensile dopo il trattamento termico (skiving con utensile in metallo duro).
- Giunti speciali a disegno.

## CARATTERISTICHE COSTRUTTIVE

I giunti della serie compatta GFA sono costituiti da due mozzi e da un manicotto esterno di collegamento in esecuzione monopezzo. La tenuta del mezzo lubrificante all'interno del giunto è assicurata da due guarnizioni ad anello, disposte alle due estremità del manicotto e tenute in posizione da anelli elastici (Seeger).

Due grani filettati disposti radialmente sul manicotto in posizione contrapposta consentono l'adduzione di lubrificante solido.

La dentatura dei due mozzi è una dentatura corretta sul profilo ed a doppia curvatura progressiva ottenuta per lavorare su dentatrice a CN integrale.

La dentatura del manicotto, corretta sul profilo ed a generatrice cilindrica è ottenuta con utensile di forma.

Le dentature sono realizzate in classe di precisione 7 secondo DIN 3972 e grazie alla tecnologia di lavorazione ottenuta presentano un grado di finitura con rugosità superficiale non superiore a  $R_a = 1,4$  micrometri.

Sia i mozzi che il manicotto sono costruiti in acciaio al Carbonio bonificato con resistenza a trazione di 800 N/mm<sup>2</sup>.

Al termine della lavorazione vengono sottoposti ad un trattamento termochimico di indurimento superficiale che assicura una elevata resistenza ad usura e grippaggio e conferisce altresì ottima resistenza alla corrosione da agenti atmosferici.

La perfetta tenuta delle guarnizioni assicura il necessario contenimento del lubrificante ed ostacola la penetrazione di elementi inquinanti dall'esterno, contribuendo con ciò ad un incremento della vita media del giunto anche se posto in esercizio in ambiente ostile.

Le due fasce dentate dei mozzi sono disposte alla massima distanza consentita dalla lunghezza del manicotto.

Ciò rende minimo il disallineamento angolare a parità di disallineamento parallelo ed accentua la caratteristica di omocineticità del giunto.



Il buon funzionamento in esercizio e la durata dei giunti flessibili a denti dipendono da una corretta scelta degli stessi oltrechè dalla compatibilità delle condizioni di esercizio con le prestazioni offerte dal giunto.

E' pertanto di fondamentale importanza porre in evidenza le prestazioni limite dei giunti e chiarire i meccanismi di azione dei carichi esterni che insistono sugli stessi.

Il progetto base, garantisce per tutti i giunti una possibilità di disallineamento angolare statico o di montaggio pari ad 1 grado e ciò è assicurato dal gioco minimo di costruzione tra i denti.

Il disallineamento angolare dinamico o di esercizio, non deve mai eccedere 0,5 gradi, anche se i valori raccomandati non dovrebbero superare 0,25 gradi.

I valori di coppia nominale dichiarati e le velocità di rotazione massima indicate, valgono per un disassamento angolare o composto non superiore ad 1/12 di grado (5 primi). I valori di coppia "eccezionale" sopportabili in transitorio e durante le fasi di accelerazione, non devono avere durata superiore a 10-15 secondi e frequenza superiore a 5 inserzioni/ora.

Le durate a fatica, sono calcolate per un limite convenzionale di 50 milioni di cicli, considerando due cicli di carico per ogni giro del giunto. Disassamenti superiori a 1/8 gradi (7,5 primi) penalizzano per riduzione la coppia nominale e la velocità di rotazione massima dichiarate per i singoli giunti. Per condizioni di esercizio diverse da quelle sopra specificate, o per durate "a tempo determinato", le prestazioni del giunto in termini di coppia, di velocità limite e di durata in esercizio, varieranno in diminuzione o in aumento rispetto a quelle dichiarate.

Le verifiche dei dati di progetto sono state effettuate con l'intento di assicurare un ragionevole margine di sicurezza. Pertanto, le prestazioni dichiarate si intendono valide per un Fattore di Servizio eguale ad 1.

L'uso dei lubrificanti prescritti, ed il rispetto degli intervalli di ripristino raccomandati, costituiscono la premessa per ottenere le prestazioni a catalogo.

L'Ufficio Tecnico della CHIARAVALLI GROUP SpA. è a disposizione degli utilizzatori per la scelta del tipo di giunto più adatto alle effettive condizioni di esercizio e per fornire suggerimenti in merito a condizioni d'impiego particolari.

**DATI TECNICI**

TIPO DI GIUNTO	Potenza		Coppia		Potenza trasmessa in Kw				a giri / minuto		disassamento radiale	massa kg	J kg cm <sup>2</sup>
	giri / min. normale	eccezz.	Kw normale	Nm eccezz.	750 normale	1000 normale	1500 normale	3000 normale	giri/1' max	giri/1' limite sugg			
<b>GFA 25</b>	0,061	0,157	600	1.524	45	61	91	183	6.000	5.000	0,20	1,36	8,68
<b>GFA 32</b>	0,103	0,259	1.000	2.520	77	103	154	309	5.000	4.000	0,26	2,51	25,10
<b>GFA 40</b>	0,128	0,322	1.250	3.125	96	128	192	384	4.200	3.000	0,32	3,55	44,82
<b>GFA 56</b>	0,257	0,639	2.500	6.200	192	257	385	-	3.500	2.200	0,37	6,15	132,60
<b>GFA 63</b>	0,412	0,985	4.000	9.260	309	412	618	-	3.000	1.600	0,40	9,91	278,20
<b>GFA 80</b>	0,773	1,855	7.500	18.000	579	773	-	-	2.600	1.200	0,48	16,20	558,6
<b>GFA 100</b>	1,236	2,937	12.000	28.500	927	-	-	-	1.400	700	0,65	23,00	1.044,50
<b>GFA 125</b>	2,431	5,795	23.600	56.250	1.823	-	-	-	950	460	0,70	49,15	3.650
<b>GFA 155</b>	4,121	9,273	40.000	90.000	3.090	-	-	-	700	350	0,80	91,30	9.982

**N.B.** Per la velocità di funzionamento effettive oltre i 3600 giri/min., si raccomanda la bilanciatura dinamica in classe G 2,5 secondo ISO 1940. In casi del tutto eccezionali, i giunti accettano in esercizio un disassamento parallelo doppio di quello suggerito ed in montaggio un disassamento quattro volte superiore.

(1) Riferito al giunto normale completo di foro massimo senza cava.

Disegni CAD disponibili sul sito  
[www.chiaravalli.com](http://www.chiaravalli.com)

**Quantità, disponibilità e prezzi  
 con B2B Chiaravalli**



I dati di coppia, di velocità e di durata dichiarati per i giunti, si intendono validi per un Fattore di servizio FS = 1. Si impone pertanto la determinazione del fattore di servizio in base al tipo di carico, alla sua intensità ed al fattore di spettro che caratterizza il regime di carico agente sul giunto.

In mancanza di attendibili dati di progetto relativi a fattore di servizio, possono venir assunti come cautelativi i valori riportati dalla tabella che segue. In caso di servizio continuamente reversibile sottocarico, è opportuno moltiplicare il fattore di servizio desunto dalla tabella, per un fattore maggiorativo pari ad 1,4.

REGIME DI CARICO	CONDIZIONI DI IMPIEGO	TIPO DI AZIONAMENTO	
		motore elettr.	motore dies.
UNIFORME	Funzionamento regolare senza urti o sovracarichi	1,25	1,5
LEGGERO	Funzionamento regolare con urti o sovracarichi leggeri e poco frequenti	1,50	2,0
MEDIO	Funzionamento irregolare con sovracarichi di breve durata ed urti frequenti ma moderati	2,0	2,5
PESANTE	Funzionamento decisamente irregolare con urti e sovracarichi molto frequenti e di forte intensità	2,5	3,0

#### VERIFICA IN FUNZIONE DELLA POTENZA DA TRASMETTERE

Data la potenza del motore di comando (P) in Kw, e la sua velocità di funzionamento (n) in giri/min, calcolare con la formula seguente il valore della coppia di esercizio (Me) in Nm.

$$Me = \frac{9549 \times P}{n}$$

Stabilire la coppia nominale da trasmettere (Mn) in base al fattore di servizio desunto dalla tabella.

$$Mn = Me \times FS$$

Scegliere il giunto la cui coppia nominale risulti SUPERIORE a quella calcolata.

#### ATTENZIONE

Per disassamenti angolari superiori a 0,125 gradi, le coppie nominali dichiarate, vanno progressivamente ridotte.

#### VERIFICA IN FUNZIONE DEL DIAMETRO DELL'ALBERO

Accettare che il più grande degli alberi da collegare sia il diametro eguale o minore del foro nominale dichiarato per il giunto.

L'adozione del diametro massimo ammesso per il giunto selezionato, andrebbe limitata ai regimi di carico UNIFORME E LEGGERO.



### VERIFICA IN FUNZIONE DELLA VELOCITA' DI ROTAZIONE

La velocità massima di rotazione indicata per ciascun giunto, rappresenta un limite operativo calcolato per un disassamento angolare non superiore a 1/12 di grado. Per i disassamenti angolari maggiori, si riducono sia la coppia nominale che la velocità di rotazione ammessa. Nel caso in cui sia il disassamento che la velocità di funzionamento siano inferiori ai valori di riferimento suggeriti ma risultino prossimi agli stessi, adottare un coefficiente di maggiorazione del fattore di servizio pari a 1,12 e scegliere il giunto come indicato in precedenza. Per condizioni di esercizio con disassamenti e velocità di funzionamento superiori ai valori di riferimento suggeriti, interpellare i nostri Servizi Tecnici.

### VERIFICA IN FUNZIONE DELLA DURATA DESIDERATA

I giunti sono calcolati per una durata di funzionamento standard in condizioni di esercizio (coppia, disassamento e velocità di rotazione) nominali.

Durate di funzionamento maggiori della durata standard, penalizzano in riduzione la coppia nominale.

Nel caso venga richiesta una determinata durata di funzionamento, superiore alla durata standard, il fattore di servizio dovrà venir moltiplicato per un coefficiente di durata definito come segue.

DURATA IN ORE	3800	4000	6000	8000	12000	20000
COEFFICIENTE IN DURATA	1	1,06	1,17	1,26	1,39	1,58

La coppia nominale verificata a durata, andrà ulteriormente ridotta nel caso abbastanza improbabile in cui la velocità di funzionamento effettiva risulti superiore alla velocità di funzionamento massima ammessa per le condizioni di disassamento del giunto in esercizio.

### PARTICOLARI COMPONENTI IL GIUNTO "GIFLEX" GFA

TIPO DI GIUNTO	POS. 1		POS. 2		POS. 3		POS. 4		POS. 5		Chiave es. N°	
	descrizione	N° pezzi	descrizione	N° pezzi	Anello di ten. Corteco NBR DIN 3760 A	N° pezzi	Anello elastico per fori DIN 472	N° pezzi	Grano piano UNI 5923	N° pezzi	brugola	N° pezzi
GFA 25	manicotto	1	mozzo	2	BA 42x56x7	2	56 I	2	M 6x8	2	D.3	1
GFA 32	manicotto	1	mozzo	2	BA 56x72x8	2	72 I	2	M 6x8	2	D.3	1
GFA 40	manicotto	1	mozzo	2	BA 64x80x8	2	80 I	2	M 6x8	2	D.3	1
GFA 56	manicotto	1	mozzo	2	BA 80x100x10	2	100 I	2	M 6x8	2	D.3	1
GFA 63	manicotto	1	mozzo	2	BA 100x125x12	2	125 I	2	M 6x8	2	D.3	1
GFA 80	manicotto	1	mozzo	2	BA 125x160x12	2	160 I	2	M 6x8	2	D.3	1
GFA 100	manicotto	1	mozzo	2	SMIM 150x180x12	2	180 I	2	M 6x8	2	D.3	1
GFA 125	manicotto	1	mozzo	2	SM 190x220x15	2	220 I	2	M 6x8	2	D.3	1
GFA 155	manicotto	1	mozzo	2	SMIM 240x280x15	2	280 I	2	M 6x8	2	D.3	1

### PARTICOLARI COMPONENTI IL GIUNTO "GIFLEX" GFAS

TIPO DI GIUNTO	POS. 1		POS. 2		POS. 3		POS. 4		POS. 5		Chiave es. N°	
	descrizione	N° pezzi	descrizione	N° pezzi	Guarnizione Serie UM Gaco NBR	N° pezzi	Anello d'arresto per albero DIN 471	N° pezzi	Grano piano UNI 5923	N° pezzi	brugola	N° pezzi
GFAS 25	manicotto	1	mozzo	1	UM 60x40x10	1	40 E	1	M 6x8	2	D.3	1
GFAS 32	manicotto	1	mozzo	1	UM 75x55x10	1	55 E	1	M 6x8	2	D.3	1
GFAS 40	manicotto	1	mozzo	1	UM 85x65x10	1	65 E	1	M 6x8	2	D.3	1
GFAS 56	manicotto	1	mozzo	1	UM 100x80x10	1	80 E	1	M 6x8	2	D.3	1
GFAS 63	manicotto	1	mozzo	1	UM 120x100x10	1	100 E	1	M 6x8	2	D.3	1
GFAS 80	manicotto	1	mozzo	1	UM 155x125x15	1	125 E	1	M 6x8	2	D.3	1
GFAS 100	manicotto	1	mozzo	1	UM 180x150x15	1	150 E	1	M 6x8	2	D.3	1



**MOZZO NORMALE**



**MOZZO LUNGO**



**MANICOTTO IN ACCIAIO**

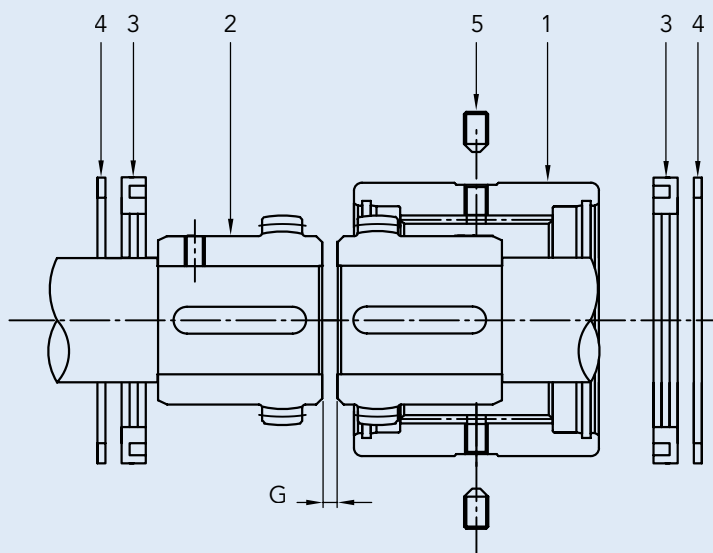



**GFA**

- A)** Infilare l'anello di arresto (4) e l'anello di tenuta (3) su ogni albero
- B)** Montare i mozzi (2) sui rispettivi alberi.
- C)** Il manicotto (1) va sull'albero più lungo.
- D)** Avvicinare gli alberi e controllare il parallelismo quindi fissare i mozzi all'albero.
- E)** Allineare gli alberi e controllare il parallelismo quindi fissare i mozzi all'albero.
- F)** Riempire di grasso la dentatura e la camera tra i mozzi.
- G)** A questo punto per montare far scorrere il manicotto (1) al suo posto introdurre gli anelli di tenuta (3) e fissare gli anelli di arresti (4) nella loro sede.
- H)** Per smontare togliere con la pinza gli anelli d'arresto (4) separare il manicotto (1) dai mozzi (2) e il giunto GFA completamente smontato.

**MANUTENZIONE**

Svitare entrambi i tappi (5) poi con i fori di ingrassaggio immettere grasso con l'ingrassatore finchè non fuoriesce dall'altro foro a 180°. Rimontare i tappi.  
L'operazione va ripetuta ogni 1000 ore di lavoro.


**I GRASSI EQUIVALENTI CONSIGLIATI SONO:**

TIPO	CASA PRODUTTRICE
Sovarex L-O	MOBIL OIL
Gulfrown EP-O	GULF OIL
Alesia EP-2	SHELL OIL
....	....

Per la lubrificazione dei giunti è previsto l'impiego di grassi un quantitativo tale da ottenere un medio riempimento.

Per carichi moderati e condizioni di esercizio normali, si suggeriscono grassi al sapone di Litio con olio a base minerale ed indice di consistenza 2 (secondo NLGI)

Per condizioni di esercizio gravose in fatto di temperature, ed in presenza di carichi pesanti, impiegare grassi al sapone complesso di Bario, olio di base sintetico PAO ed indice di consistenza 2.

Per condizioni di esercizio estreme, interpellare i servizi tecnici della CHIARAVALLI GROUP SpA.

Il lubrificante nella formulazione e con le caratteristiche suggerite, può venir scelto tra le linee di prodotti, indicate a lato consultando il Produttore.

**N.B.**

Le caratteristiche tecniche, le dimensioni ed ogni altro dato di questo catalogo non sono impegnative. La CHIARAVALLI GROUP SpA si riserva il diritto di modificare in qualsiasi momento e senza preavviso.



## MANICOTTO IN ACCIAIO

### INTERPRETAZIONE DELLA CODIFICA

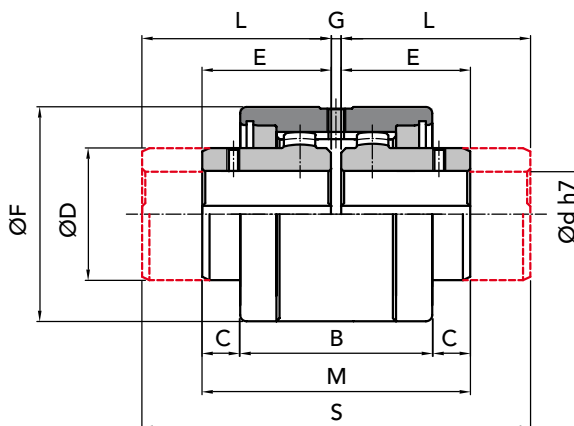
Esempio

**GFA 25-NN** con due mozzi normali

**GFA 25-NL** con un mozzo normale  
e un mozzo lungo

**GFA 25-LL** con due mozzi lunghi

La caratteristica del giunto è definita dal diametro massimo del foro mozzo.



### CODICI PER GIUNTO COMPLETO

### CODICI PER SINGOLI COMPONENTI

TIPO DI GIUNTO	CODICE GFA NN	CODICE GFA NL	CODICE GFA LL	MANICOTTO	MOZZO NORMALE	MOZZO LUNGO	COMPONENTI per assembl. giunto
GFA 25	00202502	00202500	00202504	00202510	00202520	00202540	00202560
GFA 32	00203202	00203200	00203204	00203210	00203220	00203240	00203260
GFA 40	00204002	00204000	00204004	00204010	00204020	00204040	00204060
GFA 56	00205602	00205600	00205604	00205610	00205620	00205640	00205660
GFA 63	00206302	00206300	00206304	00206310	00206320	00206340	00206360
GFA 80	00208002	00208000	00208004	00208010	00208020	00208040	00208060
GFA 100	00210002	00210000	00210004	00210010	00210020	00210040	00210060
GFA 125	00212502	00212500	00212504	00212510	00212520	00212540	00212560
GFA 155	00215502	00215502	00215504	00215510	00215520	00215540	00215560

### MISURE - PESI

TIPO DI GIUNTO	Ø foro nom.	Ød foro finito in tolleranza h7		misure in mm									massa Kg		
		A RICHIESTA		serie normale						serie lunga			manicotto	mozzo normale	mozzo lungo
		min	max	B	C	ØD	E	ØF	G	M	L	S			
GFA 25	-	25	28	61	12	42	41	68	3	85	60	123	0,72	0,48	0,69
GFA 32	-	32	38	73	13,5	55	48,5	85	3	100	80	163	1,14	0,99	1,58
GFA 40	-	40	48	82	16,5	64	56	95	3	115	80	163	1,68	1,49	2,10
GFA 56	-	56	60	97	21,5	80	68	120	4	140	100	204	2,86	2,96	4,22
GFA 63	-	63	70	108	22,5	100	74,5	140	4	153	119,5	243	3,75	4,90	7,67
GFA 80	-	80	90	125	22,5	125	82,5	175	5	170	140	285	5,58	8,72	14,26
GFA 100	-	100	110	148	34	150	105	198	6	216	174,5	355	6,63	15,76	25,40
GFA 125*	40	125	140	214	39	190	140	245	8	288	207,5	423	17,70	32,60	49,50
GFA 155*	40	155	175	240	64	240	180	300	10	370	245	498	28,30	65,50	91,40

\* Materiale di costruzione 39NiCrMo3 bonificato



**A richiesta:** si eseguono lavorazioni per Foro finito e chiavetta.

#### IMPORTANTE

I Giunti GFA possono essere ordinati completi o per singoli componenti.

Disegni CAD disponibili sul sito  
[www.chiaravalli.com](http://www.chiaravalli.com)

Quantità, disponibilità e prezzi  
con B2B Chiaravalli





# GIUNTI FLESSIBILI DENTATI DOPPIA CURVATURA

GIUNTI FLESSIBILI DENTATI A DOPPIA CURVATURA "GIFLEX®" SERIE GFAS con CAMPANA IN ACCIAIO

**SERIE GFAS**



GIUNTO **GFAS** CAMPANA IN ACCIAIO



## PRESENTAZIONE

I giunti della serie "GIFLEX®" GFAS sono giunti di costruzione compatta per impieghi industriali, torsionalmente rigidi e con capacità di compensare disallineamenti angolari, paralleli e combinati.

La particolare configurazione con manicotto monopezzo e guarnizioni di tenuta alle due estremità, li rende adatti ad operare in ambienti ostili ed in condizioni di esercizio particolarmente gravose.

Le prestazioni sono quelle caratteristiche di un giunto omocinetico a doppia articolazione, destinato sia ad applicazioni generiche che specifiche e con possibilità di installazione anche su alberi con elevata luce libera.

I limiti operativi definiti dalla coppia massima, dalla velocità di rotazione e dal disallineamento angolare ammissibile, sono frutto di un progetto basato sulla scelta mirata dei materiali, dei trattamenti termici e della geometria delle dentature.

L'affidabilità dei limiti operativi dichiarati, è stata confermata da verifica del limite di fatica sia alla pressione superficiale (pressione Hertziana) che alla flessione e ad usura distruttiva, secondo schemi di calcolo desunti dalla più autorevole normativa internazionale.

L'Ufficio Tecnico della CHIARAVALLI GROUP SpA è in ogni caso disponibile per esaminare in collaborazione con gli utilizzatori, problemi che comportano la scelta, l'applicazione e la manutenzione dei giunti.

A specifica richiesta ed in alternativa ai giunti in esecuzione normale, possono venir proposti e realizzati giunti speciali per forma, esecuzione e prestazioni quali ad esempio:

- Giunti per disassamenti angolari e paralleli elevati.
- Giunti in acciaio ad alta resistenza e con trattamenti termici di indurimento superficiale.
- Giunti con mozzi cementati e temprati e dentature finite di utensile dopo il trattamento termico (skiving con utensile in metallo duro).
- Giunti speciali a disegno.

## CARATTERISTICHE COSTRUTTIVE

I giunti della serie compatta GFAS sono costituiti da due mozzi e da un manicotto esterno di collegamento in esecuzione monopezzo.

La tenuta del mezzo lubrificante all'interno del giunto è assicurata da due guarnizioni ad anello, disposte alle due estremità del manicotto e tenute in posizione da anelli elastici (Seeger).

Due grani filettati disposti radialmente sul manicotto in posizione contrapposta consentono l'adduzione di lubrificante solido.

La dentatura dei due mozzi è una dentatura corretta sul profilo ed a doppia curvatura progressiva ottenuta per lavorare su dentatrice a CN integrale.

La dentatura del manicotto, corretta sul profilo ed a generatrice cilindrica è ottenuta con utensile di forma.

Le dentature sono realizzate in classe di precisione 7 secondo DIN 3972 e grazie alla tecnologia di lavorazione ottenuta presentano un grado di finitura con rugosità superficiale non superiore a  $Ra = 1,4$  micrometri.

Sia i mozzi che il manicotto sono costruiti in acciaio al Carbonio bonificato con resistenza a trazione di 800 N/mm<sup>2</sup>.

Al termine della lavorazione vengono sottoposti ad un trattamento termochimico di indurimento superficiale che assicura una elevata resistenza ad usura e grippaggio e conferisce altresì ottima resistenza alla corrosione da agenti atmosferici.

La perfetta tenuta delle guarnizioni assicura il necessario contenimento del lubrificante ed ostacola la penetrazione di elementi inquinanti dall'esterno, contribuendo con ciò ad un incremento della vita media del giunto anche se posto in esercizio in ambiente ostile.

Le due fasce dentate dei mozzi sono disposte alla massima distanza consentita dalla lunghezza del manicotto.

Ciò rende minimo il disallineamento angolare a parità di disallineamento parallelo ed accentua la caratteristica di omocineticità del giunto.



Il buon funzionamento in esercizio e la durata dei giunti flessibili a denti dipendono da una corretta scelta degli stessi oltrechè dalla compatibilità delle condizioni di esercizio con le prestazioni offerte dal giunto.

E' pertanto di fondamentale importanza porre in evidenza le prestazioni limite dei giunti e chiarire i meccanismi di azione dei carichi esterni che insistono sugli stessi.

Il progetto base, garantisce per tutti i giunti una possibilità di disallineamento angolare statico o di montaggio pari ad 1 grado e ciò è assicurato dal gioco minimo di costruzione tra i denti.

Il disallineamento angolare dinamico o di esercizio, non deve mai eccedere 0,5 gradi, anche se i valori raccomandati non dovrebbero superare 0,25 gradi.

I valori di coppia nominale dichiarati e le velocità di rotazione massima indicate, valgono per un disassamento angolare o composto non superiore ad 1/12 di grado (5 primi). I valori di coppia "eccezionale" sopportabili in transitorio e durante le fasi di accelerazione, non devono avere durata superiore a 10-15 secondi e frequenza superiore a 5 inserzioni/ora.

Le durate a fatica, sono calcolate per un limite convenzionale di 50 milioni di cicli, considerando due cicli di carico per ogni giro del giunto. Disassamenti superiori a 1/8 gradi (7,5 primi) penalizzano per riduzione la coppia nominale e la velocità di rotazione massima dichiarate per i singoli giunti. Per condizioni di esercizio diverse da quelle sopra specificate, o per durate "a tempo determinato", le prestazioni del giunto in termini di coppia, di velocità limite e di durata in esercizio, varieranno in diminuzione o in aumento rispetto a quelle dichiarate.

Le verifiche dei dati di progetto sono state effettuate con l'intento di assicurare un ragionevole margine di sicurezza.

Pertanto, le prestazioni dichiarate si intendono valide per un Fattore di Servizio eguale ad 1.

L'uso dei lubrificanti prescritti, ed il rispetto degli intervalli di ripristino raccomandati, costituiscono la premessa per ottenere le prestazioni a catalogo.

L'Ufficio Tecnico della CHIARAVALLI GROUP SpA. è a disposizione degli utilizzatori per la scelta del tipo di giunto più adatto alle effettive condizioni di esercizio e per fornire suggerimenti in merito a condizioni d'impiego particolari.

**DATI TECNICI**

TIPO DI GIUNTO	Potenza		Coppia		Potenza trasmessa in Kw				a giri / minuto		disassamento radiale	massa kg	J kg cm <sup>2</sup>
	giri / min. normale	eccezz.	Kw normale	Nm eccezz.	750 normale	1000 normale	1500 normale	3000 normale	giri/1' max	giri/1' limite sugg			
<b>GFAS 25</b>	0,061	0,157	600	1.524	45	61	91	183	6.000	5.000	-	1,35	7,31
<b>GFAS 32</b>	0,103	0,259	1.000	2.520	77	103	154	309	5.000	4.000	-	2,43	19,15
<b>GFAS 40</b>	0,128	0,322	1.250	3.125	96	128	192	384	4.200	3.000	-	3,64	34,13
<b>GFAS 56</b>	0,257	0,639	2.500	6.200	192	257	385	-	3.500	2.200	-	6,07	96,56
<b>GFAS 63</b>	0,412	0,985	4.000	9.260	309	412	618	-	3.000	1.600	-	10,00	207,32
<b>GFAS 80</b>	0,773	1,855	7.500	18.000	579	773	-	-	2.600	1.200	-	19,18	492,6
<b>GFAS 100</b>	1,236	2,937	12.000	28.500	927	-	-	-	1.400	700	-	28,00	1.064,00

**N.B.** Per la velocità di funzionamento effettiva oltre i 3600 giri/min., si raccomanda la bilanciatura dinamica in classe G 2,5 secondo ISO 1940. In casi del tutto eccezionali, i giunti accettano in esercizio un disassamento parallelo doppio di quello suggerito ed in montaggio un disassamento quattro volte superiore.

(1) Riferito al giunto normale completo di foro massimo senza cava.

Disegni CAD disponibili sul sito  
[www.chiaravalli.com](http://www.chiaravalli.com)

**Quantità, disponibilità e prezzi  
 con B2B Chiaravalli**





**MOZZO NORMALE**



**MOZZO LUNGO**



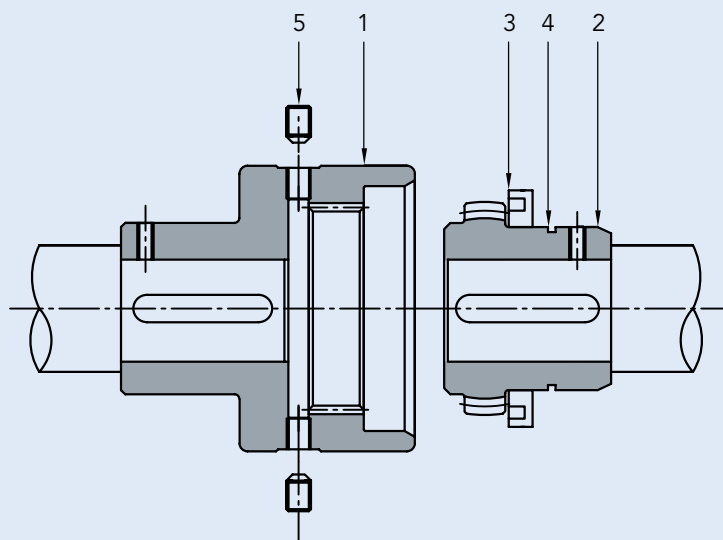
**CAMPANA NORMALE**



**CAMPANA LUNGA**


**GFAS**

- A) Sul mozzo sfilabile (2) sono già fissati l'anello di tenuta (3) e di arresto (4).
- B) Per il montaggio in campana chiusa basta fissare sull'albero il manicotto (1) e sull'altro albero il mozzo sfilabile (2).
- C) Poi avvicinare gli alberi da accoppiare infilando il mozzo (2) sul manicotto (1).
- D) Lo smontaggio si ha allontanando gli alberi quindi sfilando il mozzo (2) dal manicotto (1).  
Per la lubrificazione vedi giunti GFA.


**I GRASSI EQUIVALENTI CONSIGLIATI SONO:**

TIPO	CASA PRODUTTRICE
Sovarex L-O	MOBIL OIL
Gulfrown EP-O	GULF OIL
Alesia EP-2	SHELL OIL
....	....

Per la lubrificazione dei giunti è previsto l'impiego di grassi in quantitativo tale da ottenere un medio riempimento.

Per carichi moderati e condizioni di esercizio normali, si suggeriscono grassi al sapone di Litio con olio a base minerale ed indice di consistenza 2 (secondo NLGI)

Per condizioni di esercizio gravose in fatto di temperature, ed in presenza di carichi pesanti, impiegare grassi al sapone complesso di Bario, olio di base sintetico PAO ed indice di consistenza 2.

Per condizioni di esercizio estreme, interpellare i servizi tecnici della CHIARAVALLI GROUP SpA.

Il lubrificante nella formulazione e con le caratteristiche suggerite, può venir scelto tra le linee di prodotti, indicate a lato consultando il Produttore.

**N.B.**

Le caratteristiche tecniche, le dimensioni ed ogni altro dato di questo catalogo non sono impegnative. La CHIARAVALLI GROUP SpA si riserva il diritto di modificare in qualsiasi momento e senza preavviso.



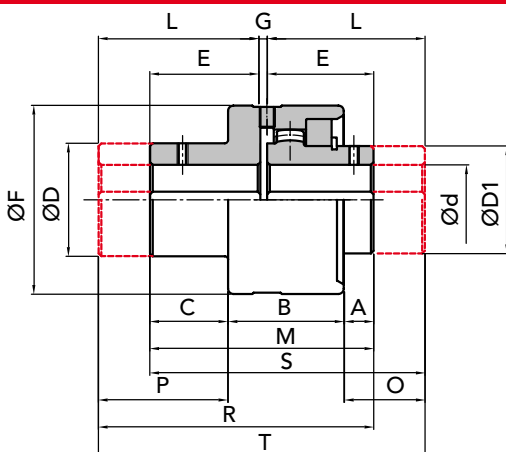
**CAMPANA IN ACCIAIO**

**INTERPRETAZIONE DELLA CODIFICA**

Esempio

- GFAS 25-NN** con campana normale e un mozzo normale
- GFAS 25-NL** con campana normale e un mozzo lungo
- GFAS 25-LL** con campana lunga e un mozzo lungo
- GFAS 25-LN** con campana lunga e un mozzo normale

La caratteristica del giunto è definita dal diametro massimo del foro mozzo.



**CODICI PER GIUNTO COMPLETO**

**CODICI PER SINGOLI COMPONENTI**

TIPO DI GIUNTO	CODICE GFAS NN	CODICE GFAS NL	CODICE GFAS LN	CODICE GFAS LL	CAMPANA NORMALE	CAMPANA LUNGA	MOZZO NORMALE	MOZZO LUNGO	COMPONENTI per assembl. giunto
GFAS 25	00302502	00302500	00302506	00302504	00302510	00302511	00302520	00302540	00302560
GFAS 32	00303202	00303200	00303206	00303204	00303210	00302511	00303220	00303240	00303260
GFAS 40	00304002	00304000	00304006	00304004	00304010	00304011	00304020	00304040	00304060
GFAS 56	00305602	00305600	00305606	00305604	00305610	00305611	00305620	00305640	00305660
GFAS 63	00306302	00306300	00306306	00306304	00306310	00306311	00306320	00306340	00306360
GFAS 80	00308002	00308000	00308006	00308004	00308010	00308011	00308020	00308040	00308060
GFAS 100	00310002	00310000	00310006	00310004	00310010	00310011	00310020	00310040	00310060

**MISURE - PESI**

TIPO DI GIUNTO	senza foro		Ød foro finito		misure in mm														massa Kg					
					serie normale							serie lunga							campana normale	mozzo normale	campana lunga	mozzo lungo		
	min	max	A	B	C	ØD	ØD1	E	ØF	G	H	M	I	L	O	P	R	S					T	
GFAS 25	-	25	28	13	43	29	42	40	41	70	3	41	85	60	60	32	48	104	104	123	1,03	0,48	1,30	0,69
GFAS 32	-	32	38	16	49	35	55	55	48,5	85	3	48,5	100	80	80	47,5	66,5	131,5	131,5	163	1,75	0,99	2,50	1,58
GFAS 40	-	40	48	18,5	54,5	42	64	64	56	95	3	56	115	80	80	42,5	66	139	139	163	2,71	1,49	3,40	2,10
GFAS 56	-	56	60	27	60	45	80	80	68	120	4	60	132	100	100	59	85	172	164	204	4,43	2,96	6,10	4,22
GFAS 63	-	63	75	31	63	46	100	100	74,5	140	4	61,5	140	119,5	119,5	76	104	198	185	243	6,62	4,90	10,20	7,67
GFAS 80	-	80	90	26	76	51	125	125	82,5	175	5	65,5	153	138	140	83,5	123,5	225,5	210,5	283	10,50	8,68	17,90	14,22
GFAS 100	-	100	110	38	92	71	150	150	105	198	6	90	201	162	174,5	107,5	143	273	270,5	342,5	28,2	15,70	38,1	25,30

**GFAS NN**

**GFAS NL**

**GFAS LL**

**GFAS LN**



MOZZO  
NORMALE



MOZZO  
LUNGO



CAMPANA  
NORMALE



CAMPANA  
LUNGA

**IMPORTANTE**

I Giunti GFAS possono essere ordinati completi o per singoli componenti.



Disegni CAD disponibili sul sito  
[www.chiaravalli.com](http://www.chiaravalli.com)

Quantità, disponibilità e prezzi  
 con B2B Chiaravalli



GIUNTI FLESSIBILI DENTATI "GIFLEX®" SERIE FBX con MANICOTTO IN NYLON

**SERIE FBX**



GIUNTO GIFLEX® FBX MANICOTTO IN NYLON



**MOZZO NORMALE**



**MOZZO LUNGO**



**MANICOTTO IN NYLON**





## SCelta DEL GIUNTO

Scelta in base alla coppia:  
il giunto deve essere scelto in modo  
che la coppia max del motore non superi  
il momento torcente di punta ammissibile  
del giunto.

## DATI TECNICI

TIPO DI GIUNTO	Fattore di Potenza r.p.m.		Coppia Nm		Potenza trasmessa in Kw a giri / minuto								giri/1'	massa kg	J kg cm <sup>2</sup>	disassas. max per ogni mozzo		Spost. Assiale mm
	norm.	max	norm.	max	750		1000		1500		3000					Angol. Radiale α(2) mm	Assiale mm	
					norm.	max	norm.	max	norm.	max	norm.	max						
FBX 14	0,0010	0,0 020	10	20	0,80	1,56	1,05	2,10	1,58	3,14	3,12	6,24	14.000	0,12	0,27	± 2°	0,7	± 1
FBX 19	0,0017	0,0033	16	32	1,25	2,50	1,67	3,34	2,52	5,02	5,04	10,08	12.000	0,19	0,55	± 2°	0,8	± 1
FBX 24	0,0021	0,0042	20	40	1,58	3,15	2,10	4,20	3,14	6,28	6,26	12,52	10.500	0,23	0,96	± 2°	0,8	± 1
FBX 28	0,0047	0,0092	45	90	3,52	7,07	4,72	9,43	7,08	14,12	14,14	28,28	8.500	0,59	3,20	± 2°	1	± 1
FBX 32	0,0063	0,0127	60	120	4,70	9,43	6,28	12,58	9,40	18,85	18,83	37,66	7.500	0,78	5,60	± 2°	1	± 1
FBX 38	0,0084	0,0168	80	160	6,28	12,57	8,38	16,76	12,56	25,12	25,12	50,24	6.500	0,95	9,59	± 2°	0,9	± 1
FBX 42	0,0105	0,0210	100	200	7,85	15,72	10,47	20,93	15,70	31,40	31,42	62,84	6.000	1,32	13,90	± 2°	0,9	± 1
FBX 48	0,0147	0,0292	140	280	11,00	22,00	14,67	29,32	22,00	43,98	43,96	87,92	5.600	1,53	18,15	± 2°	0,9	± 1
FBX 55	0,0280	0,0565	275	555	20,80	39,50	27,80	52,00	42,50	85,00	84,60	169,20	4.800	2,30	49,44	± 2°	1,2	± 1
FBX 65	0,0398	0,0798	380	760	29,85	59,70	39,78	79,58	59,70	119,36	119,37	238,74	4.000	3,25	108,40	± 2°	1,3	± 1



**MANICOTTO IN NYLON**

**INTERPRETAZIONE DELLA CODIFICA**

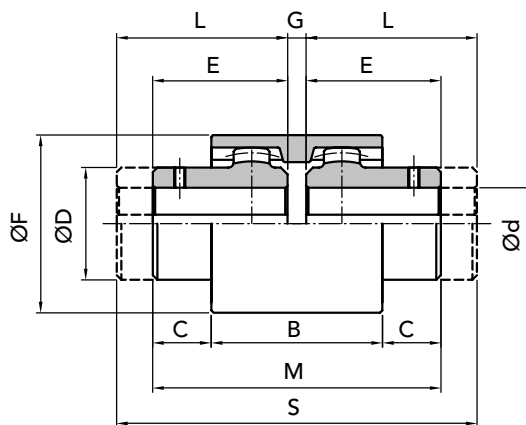
Esempio

**FBX 19-NN** con due mozzi normali

**FBX 19-NL** con un mozzo normale  
e un mozzo lungo

**FBX 19-LL** con due mozzi lunghi

La caratteristica del giunto è definita dal diametro massimo del foro mozzo.



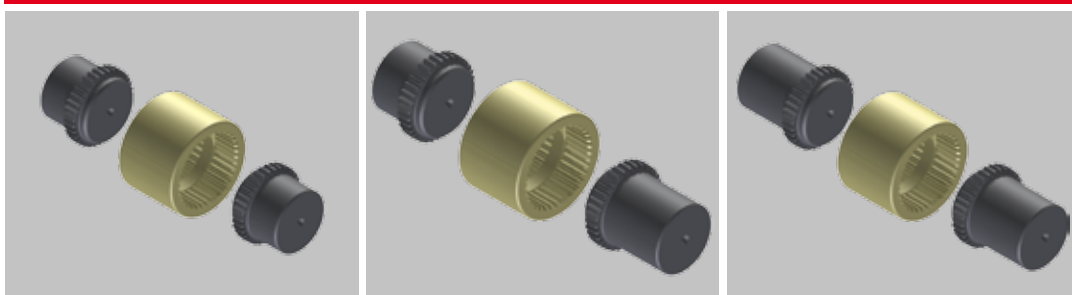
**CODICI**

TIPO DI GIUNTO	CODICE FBX NN	CODICE FBX NL	CODICE FBX LL	MOZZO NORMALE	MOZZO LUNGO	MANICOTTO NYLON
FBX 14	00501402	00501400	00501404	00501420	00501440	00501410
FBX 19	00501902	00501900	00501904	00501920	00501940	00501910
FBX 24	00502402	00502400	00502404	00502420	00502440	00502410
FBX 28	00502802	00502800	00502804	00502820	00502840	00502810
FBX 32	00503202	00503200	00503204	00503220	00503240	00503210
FBX 38	00503802	00503800	00503804	00503820	00503840	00503810
FBX 42	00504202	00504200	00504204	00504220	00504240	00504210
FBX 48	00504802	00504800	00504804	00504820	00504840	00504810
FBX 55	00505502	00505500	00505504	00505520	00505540	00505510
FBX 65	00506502	00506500	00506504	00506520	00506540	00506510

**MISURE - PESI**

TIPO DI GIUNTO	senza foro	Ød foro finito		misure in mm									massa Kg		
		min.	max	serie normale						serie lunga			manicotto	mozzo normale	mozzo lungo
				B	C	ØD	E	ØF	G	M	L	S			
FBX 14	-	6	14	37	6,5	25	23	40	4	50	40	84	0,02	0,06	0,10
FBX 19	-	8	19	37	8,5	32	25	48	4	54	40	84	0,03	0,09	0,13
FBX 24	-	10	24	41	7,5	36	26	52	4	56	50	104	0,04	0,11	0,21
FBX 28	-	10	28	46	19	44	40	66	4	84	55	114	0,07	0,28	0,38
FBX 32	-	12	32	48	18	50	40	76	4	84	60	114	0,09	0,37	0,50
FBX 38	-	14	38	48	18	58	40	83	4	84	60	124	0,11	0,46	0,70
FBX 42	-	20	42	50	19	65	42	92	4	88	60	124	0,14	0,64	0,90
FBX 48	-	20	48	50	27	68	50	95	4	104	60	124	0,16	0,74	1,00
FBX 55	-	25	55	58	25	82	52	114	4	108	65	134	0,26	1,12	1,41
FBX 65	-	25	65	68	23	96	55	132	4	114	70	144	0,39	1,59	2,04

**FBX NN                      FBX NL                      FBX LL**



**IMPORTANTE**

I Giunti FBX possono essere ordinati completi o per singoli componenti  
 MOZZO + ELASTOMERO + MOZZO

Disegni CAD disponibili sul sito  
[www.chiaravalli.com](http://www.chiaravalli.com)

Quantità, disponibilità e prezzi  
 con B2B Chiaravalli

GIUNTI FLESSIBILI DENTATI "GIFLEX®" FBX con MANICOTTO IN NYLON

# SERVIZI SPEDIZIONE



**B2B**

*Chiaravalli Group SpA  
E-commerce service*

**FAST TRACK**

*Spedizioni giornaliere  
via aerea*



**PRIORITY TRUCK SERVICE**

*Spedizioni prioritarie  
mezzo camion*

**ADVANCED SHIPPING**

*Spedizioni in trenta ore  
via aerea o camion*



**OGNI VOSTRA NECESSITÀ  
È LA NOSTRA UNICA PRIORITÀ**



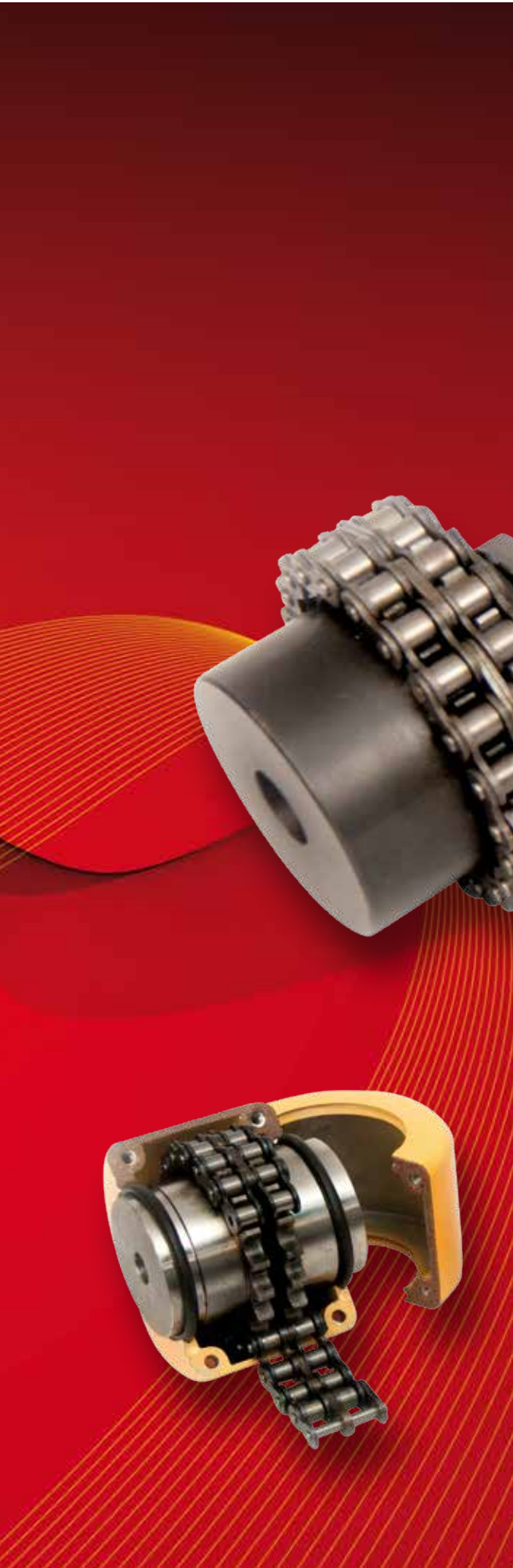


# LIMITATORI DI COPPIA + GIUNTI CATENA CON COPERCHIO

LIMITATORI DI COPPIA	46
LIMITATORI DI COPPIA CON GIUNTO A CATENA LCG	51
GIUNTO A CATENA CON COPERCHIO KC	52



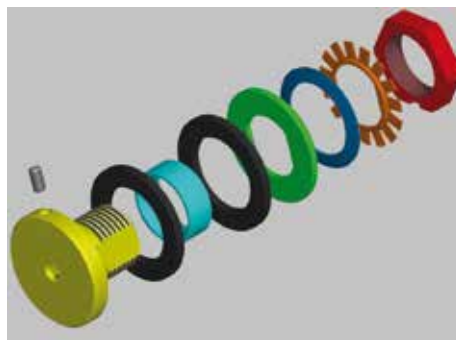
LIMITATORI DI COPPIA PER ATTRITO **GIUNTI CATENA** con COPERCHIO







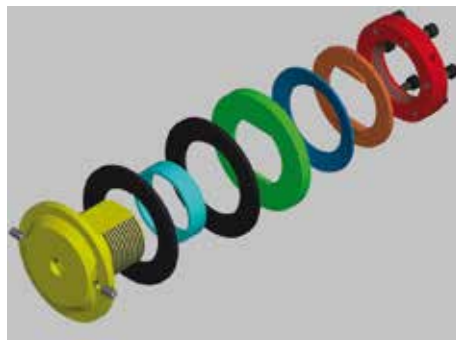
LC 40 - 1



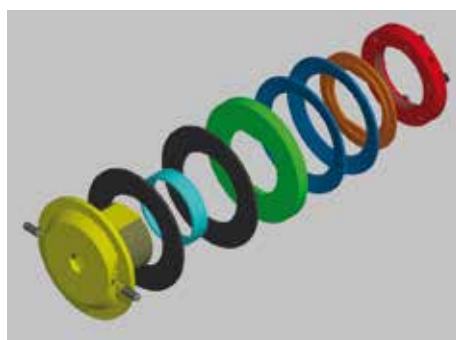
LC 85 - 2



LC 95 - 1



LC 170 - 2

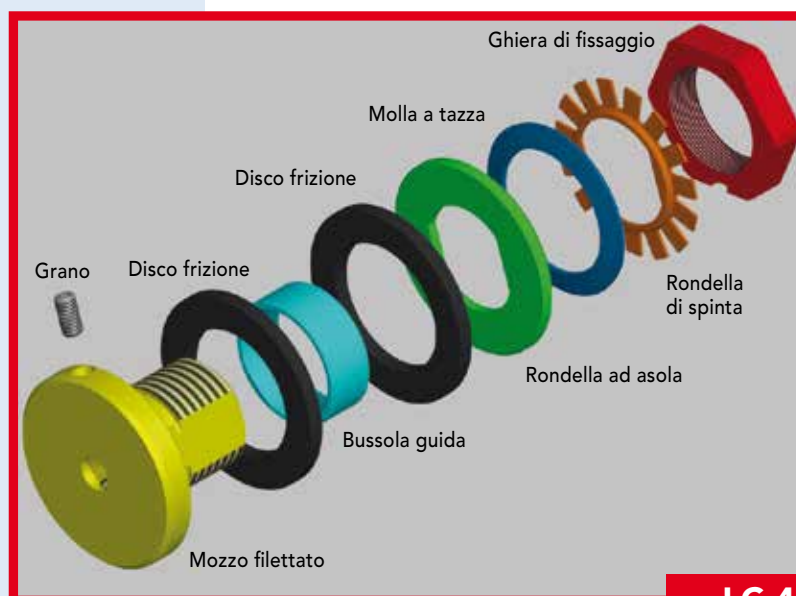
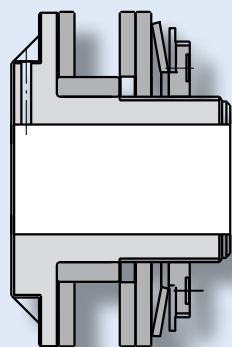




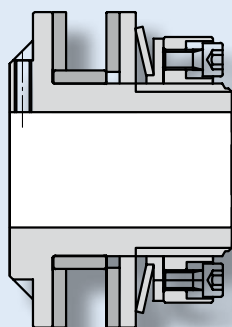
Il limitatore di coppia trova impiego ove vi sia la necessità di una protezione dai sovracarichi su organi meccanici (cinematismi o macchine).

Il dispositivo di impiego semplice ed efficace, offre piena affidabilità operativa quando la coppia richiesta supera il valore pretrataro e rientra automaticamente in lavoro quando il sovraccarico cessa.

L'organo meccanico prescelto, tra pulegge, ruote per catena e ingranaggi, viene disposto fra i dischi frizione che, serrati mediante la compressione delle molle a tazza sviluppano una forza di attrito determinata dal serraggio della ghiera.



LC 40-50



LC 65-85-95-120-140-170



## SCELTA DEL LIMITATORE DI COPPIA:

Tkw = Potenza in kW

n = giri al minuto

Mt = Momento torcente (Nm)

Il momento torcente è dato dalla relazione:

$$M_t = \frac{9550 \cdot T_{kw}}{n}$$

Esempio:

Supponiamo di azionare un motore con le seguenti caratteristiche:

Potenza 4 kW e n = 1.550 g/1'

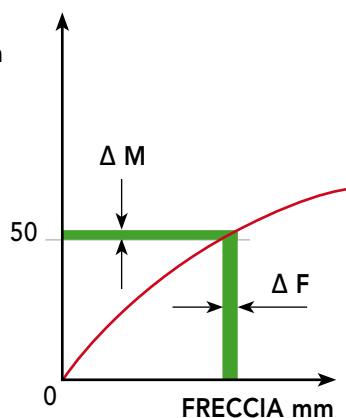
$$M_t = \frac{9550 \cdot 4}{1550} = 24,64 \text{ Nm}$$

Per cui sceglieremo un limitatore con coppia uguale o superiore a 24,64 Nm



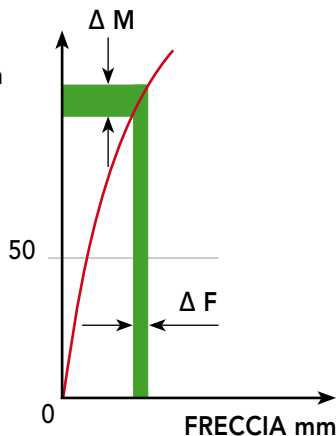
1 molla

COPPIA  
100% Nm



2 molle

COPPIA  
100% Nm

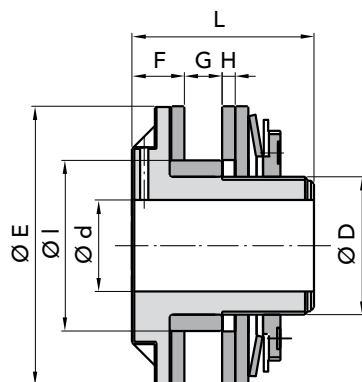


Disposizione delle molle a tazza DIN 2093

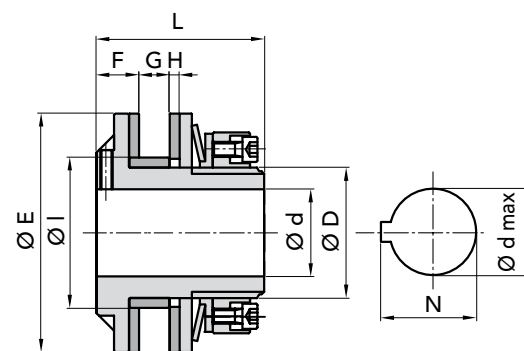


## DIMENSIONI E REGOLAZIONI

ESEMPIO:

**LC 85-1** con 1 molla**LC 85-2** con 2 molle

LC 40-50



LC 65-85-95-120-140-170

Tipo	Codice Limitatore	Codice Molla Tazza	Codice Disco Frizione	Codice Boccola di guida sinterizzata	ØE	ØIh8	Ød	F	G	H	ØD	L	Foro max chiavetta DIN 6885/1 a richiesta		Coppia max N/m	N° molle DIN2093	Ingranaggi per catena std (u) = 1,6 : 2		Peso Kg.	
													Ød max	N			Ø passo per rullo	N° denti		
LC 40-1	08040000	08040050	08040020	08040030	40	26	7	9	6	3	22	30		14	16,3	15	1	3/8" x 6,65	18-21	0,190
LC 40-2	08040002																	28	2	1/2" x 8,51
LC 50-1	08050000	08050050	08050020	08050030	50	35	7	10	6	3	32	35,5		20	22,8	30	1	3/8" x 6,65	19-23	0,365
LC 50-2	08050002																	55	2	1/2" x 8,51
LC 65-1	08065000	08065050	08065020	08065030	65	45	10	16	9	4	36	53		22	24,8	70	1	3/8" x 6,65	27	0,750
LC 65-2	08065002																			
LC 85-1	08085000	08085050	08085020	08085030	85	52	15	16	11	4	45	59		25	28,3	130	1	3/8" x 6,65 1/2" x 8,51	38 25	1,470
LC 85-2	08085002																			
LC 95-1	08095000	08095050	08095020	08095030	95	60	15	17	11	4	52	67		35	38,3	190	1	1/2" x 8,51	30	2,160
LC 95-2	08095002																			
LC 120-1	08120000	08120050	08120020	08120030	120	73	20	19	16	4	64	78		45	48,8	350	1	1/2" x 8,51 5/8" x 10,16	38 32	4,000
LC 120-2	08120002																			
LC 140-1	08140000	08140050	08140020	08140030	140	90	20	22	17	4	85	86,5		60	64,4	650	1	3/4" x 12,07	35	5,900
LC 140-2	08140002																			
LC 170-1	08170000	08170050	08170020	08170030	170	100	28	25,5	18,5	4,5	90	94		65	69,4	1000	1	3/4" x 12,07 1" x 15,88	35 25	9,200
LC 170-2	08170002																			

N.B. Si consiglia vivamente di utilizzare i limitatori della serie **LC** a secco, controllando con estrema attenzione che prodotti oleosi o liquidi in genere, non raggiungano in alcun modo i materiali d'attrito per non causare un repentino ed inevitabile decadimento delle prestazioni. Adattare la bussola guida secondo le proprie esigenze.

I dischi frizione sono costituiti da una struttura assolutamente priva di amianto.

Disegni CAD disponibili sul sito  
[www.chiaravalli.com](http://www.chiaravalli.com)

Quantità, disponibilità e prezzi  
con B2B Chiaravalli

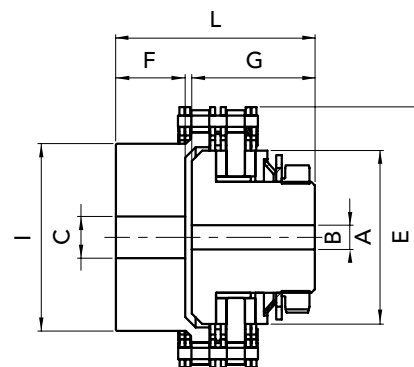
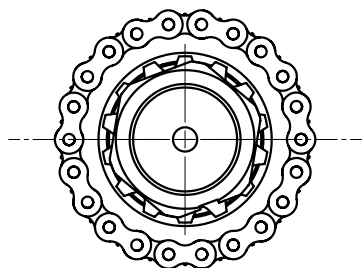




# LIMITATORI DI COPPIA CON GIUNTO A CATENA LCG

51

- Limitatore di coppia LC collegato coassiale al mozzo pignone attraverso la catena doppia
- Facile regolazione della coppia voluta attraverso la ghiera
- Elementi di attrito due dischi frizione
- Forniti bruniti



TIPO	CODICE	Coppia Nm Max	N° molle	A	B	B max	C max	C	E	F	G	I	L	DIS. mm ang.	Passo catena	Z denti	Peso Kg
LCG 50-1	08050100	30	1	50	7	20	12	30	75,19	20	35	45	57	0,20 30°	3/8 X 7/32"	22	1,000
LCG 50-2	08050200	55	2	50	7	20	12	30	75,19	20	35	45	57	0,20 30°	3/8 X 7/32"	22	1,005
LCG 65-1	08065100	70	1	65	10	22	16	35	97,03	33	50	65	85	0,25 30°	1/2" X 5/16"	21	2,500
LCG 65-2	08065200	120	2	65	10	22	16	35	97,03	33	50	65	85	0,25 30°	1/2" X 5/16"	21	2,550
LCG 85-1	08085100	130	1	85	15	25	20	45	121,25	36	55	85	94	0,30 30°	5/8" X 3/8"	21	4,300
LCG 85-2	08085200	240	2	85	15	25	20	45	121,25	36	55	85	94	0,30 30°	5/8" X 3/8"	21	4,300
LCG 95-1	08095100	190	1	95	15	35	20	55	131,88	38	67	95	108	0,35 30°	3/4" X 7/16"	19	6,000
LCG 95-2	08095200	340	2	95	15	35	20	55	131,88	38	67	95	108	0,35 30°	3/4" X 7/16"	19	6,010
LCG 120-1	08120100	350	1	120	20	45	20	60	168,13	47	78	120	128	0,35 30°	3/4" X 7/16"	25	11,000
LCG 120-2	08120200	650	2	120	20	45	20	60	168,13	47	78	120	128	0,35 30°	3/4" X 7/16"	25	11,100
LCG 140-1	08140100	650	1	140	20	60	30	65	191,51	54	86	130	145	0,40 30°	1" X 17 mm	21	18,000
LCG 140-2	08140200	1200	2	140	20	60	30	65	191,51	54	86	130	145	0,40 30°	1" X 17 mm	21	18,100
LCG 170-1	08170100	1000	1	170	28	65	30	75	223,74	84	95	130	184	0,50 30°	1" X 17 mm	25	27,000
LCG 170-2	08170200	1800	2	170	28	65	30	75	223,74	84	95	130	184	0,50 30°	1" X 17 mm	25	27,200

LIMITATORI DI COPPIA con GIUNTO A CATENA LCG



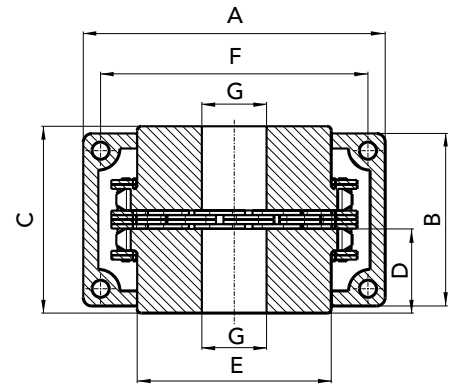
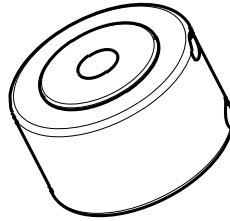
Disegni CAD disponibili sul sito  
[www.chiaravalli.com](http://www.chiaravalli.com)

Quantità, disponibilità e prezzi  
 con B2B Chiaravalli





- Per collegare due alberi di trasmissione in asse tra loro
- Pignoni con tempra ad induzione sulla dentatura
- Forniti completi di coperchi, tenute ed anelli o-ring per la protezione da agenti esterni e per l'eventuale lubrificazione del giunto con grasso.



TIPO	CODICE	PASSO CATENA	A	B	C	D	E	F	G Min	G Max	Nm	Peso Kg.
KC 3012	KC3012	35-2	70	62	65	28	25	57	12	15	150	0,50
KC 4012	KC4012	40-2	78	72	78	36	31	61	12	20	210	1,00
KC 4014	KC4014	40-2	85	75	80	36	43	72	12	25	300	1,40
KC 4016	KC4016	40-2	92	75	80	36	50	77	14	30	380	1,80
KC 5014	KC5014	50-2	101	84	100	45	53	82	14	35	550	2,50
KC 5016	KC5016	50-2	111	85	100	45	60	92	16	40	725	3,20
KC 5018	KC5018	50-2	123	85	100	45	70	106	16	45	925	4,00
KC 6018	KC6018	60-2	144	106	122	54	85	122	20	55	1750	7,20
KC 6020	KC6020	60-2	160	108	123	54	98	132	20	70	2050	9,50
KC 6022	KC6022	60-2	168	116	123	54	110	145	25	75	2400	11,3
KC 8018	KC8018	80-2	190	128	140	67	110	160	30	75	3800	14,7
KC 8020	KC8020	80-2	211	138	144	67	120	184	30	85	4700	18,2
KC 8022	KC8022	80-2	226	138	155	67	140	196	35	95	5500	23,3
KC 10020	KC10020	100-2	280	152	176	80	160	250	40	110	8700	36,0
KC 12018	KC12018	120-2	305	180	196	90	170	280	40	120	13250	49,0
KC 12022	KC12022	120-2	355	180	220	100	210	335	40	150	17800	77,0





# PRODUZIONE

# COMPONENTI SPECIALI

*Produciamo ingranaggi e componenti meccanici di alta precisione.*

*Una vasta e variegata gamma di moderne macchine a CNC assicura capacità produttiva e qualità di elevato livello. Il personale Chiaravalli Group SpA altamente specializzato e con grande spirito di appartenenza all'azienda, opera avvalendosi delle più moderne tecnologie CAE e CAD-CAM.*

*La produzione è certificata e garantita attraverso l'utilizzo di macchine tridimensionali di misura di elevata precisione.*

***Chiaravalli Group SpA partner tecnologico per produzioni di alta qualità.***





# MARTINETTI

# MECCANICI

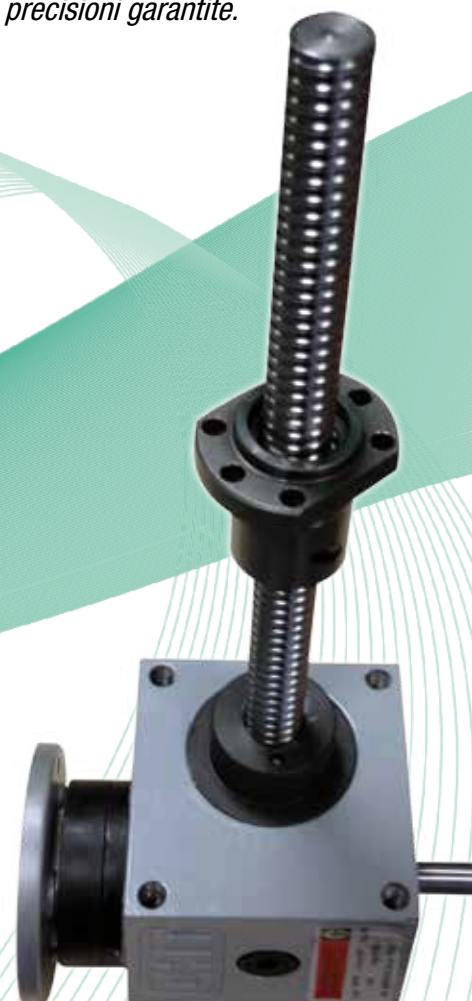
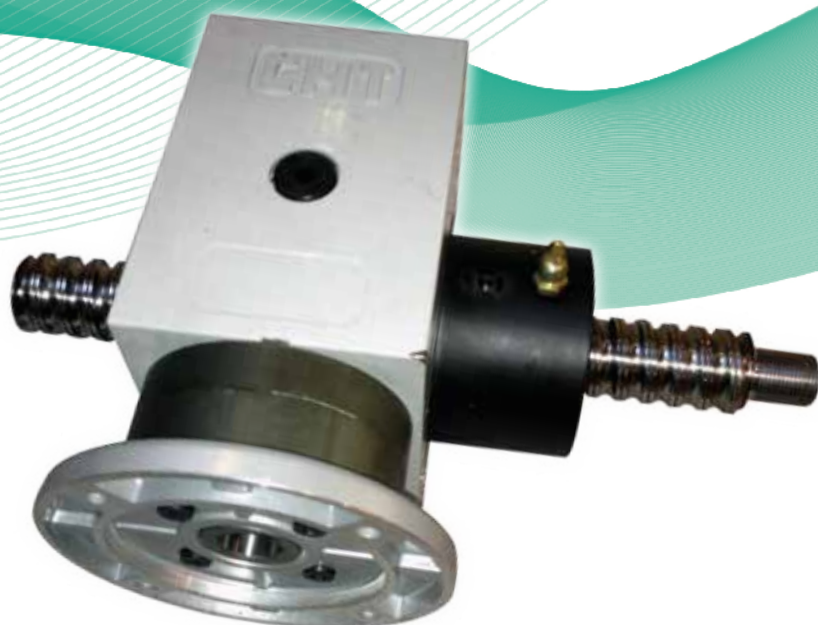
*La nuova linea di prodotto Martinetti Meccanici denominata CHT (Chiaravalli High Tech) si integra e completa la gamma degli articoli destinati alla Trasmissione Meccanica.*

*La nuova linea di prodotti è realizzata utilizzando materiali di alta qualità, lavorati con precisioni assolute, usufruendo del moderno parco macchine di aziende appartenenti alla Chiaravalli Group SpA.*

*Gli elementi base che compongono il prodotto finale Martinetto sono realizzati in grandi serie, rigorosamente controllati e posti a magazzino. Uno speciale software realizzato dalla Chiaravalli Group SpA permette ai nostri*

*clienti di combinare omogeneamente i vari elementi e di realizzare prima, in versione virtuale, il martinetto richiesto e poi, in seconda fase, di ordinarlo con assoluta precisione.*

*L'impegno della Chiaravalli Group SpA è di garantire la consegna di questo prodotto in tempi ristrettissimi, con qualità e precisioni garantite.*







## ANELLI e RONDELLE

RONDELLE TORNITE <b>A GROSSO SPESSORE</b>	pag. 4
RONDELLE TORNITE <b>CONICHE</b>	5
RONDELLE TORNITE <b>PER TESTE SNODATE</b>	5
ANELLI DI BLOCCAGGIO <b>SECONDO DIN 705</b>	6
ANELLI DI BLOCCAGGIO <b>FORMA C-AB</b>	7
ANELLI DI BLOCCAGGIO <b>A MORSETTO</b>	8



# ANELLI DI BLOCCAGGIO

## ANELLI DI BLOCCAGGIO

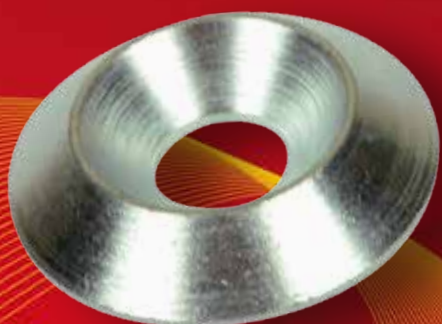
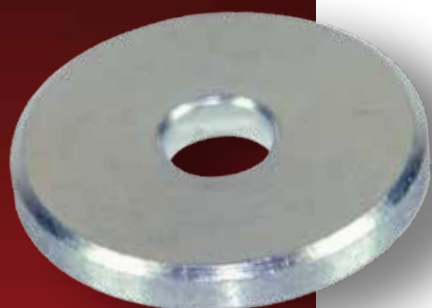
FOSFATATI

ZINCATI

INOX



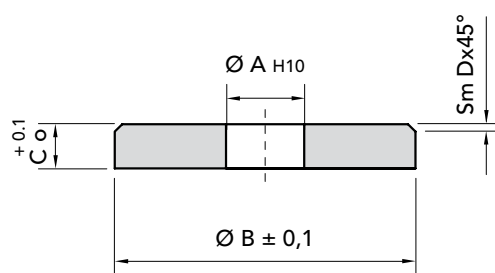




**RONDELLE TORNITE**  
FOSFATATE  
ZINCATE


**C-RGS**

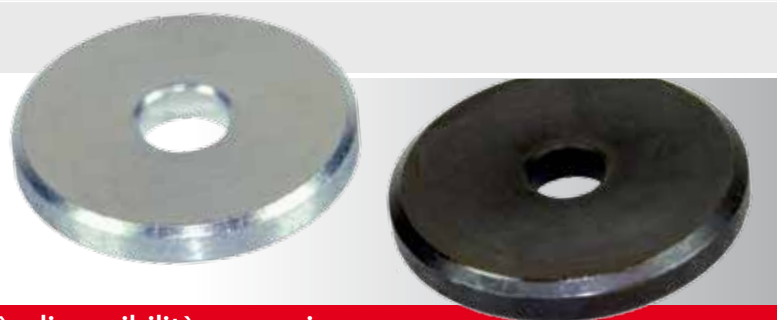
Confezioni da 50pz



TIPO	CODICE FOSFATATE	CODICE ZINCATE	Ø A	Ø B	C	D	PESO PER CONFEZIONE	
							kg	
C-RGS 3-10	26100310	26200310	3,2	10	2	0,5	0,10	
C-RGS 4-10	26100410	26200310	4,2	10	2	0,5	0,10	
C-RGS 4-15	26100415	26200415	4,2	15	3	0,5	0,15	
C-RGS 5-15	26100515	26200515	5,2	15	3	0,5	0,15	
C-RGS 5-20	26100520	26200520	5,2	20	3	0,5	0,45	
C-RGS 5-25	26100525	26200525	5,2	25	4	1	0,70	
C-RGS 5-30	26100530	26200530	5,2	30	4	1	1,35	
C-RGS 6-15	26100615	26200615	6,2	15	3	0,5	0,12	
C-RGS 6-20	26100620	26200620	6,2	20	3	0,5	0,40	
C-RGS 6-25	26100625	26200625	6,2	25	4	1	0,80	
C-RGS 6-30	26100630	26200630	6,2	30	4	1	1,05	
C-RGS 6-35	26100635	26200635	6,2	35	5	1	1,85	
C-RGS 6-40	26100640	26200640	6,5	40	5	1	2,35	
C-RGS 8-20	26100820	26200820	8,5	20	4	0,5	0,35	
C-RGS 8-25	26100825	26200825	8,5	25	4	1	0,70	
C-RGS 8-30	26100830	26200830	8,5	30	4	1	1,00	
C-RGS 8-35	26100835	26200835	8,5	35	5	1	1,80	
C-RGS 8-40	26100840	26200840	8,5	40	5	1	2,30	
C-RGS 8-45	26100845	26200845	8,5	45	5	2	2,90	
C-RGS 8-50	26100850	26200850	8,5	50	6	2	4,15	
C-RGS 10-25	26101025	26201025	10,5	25	4	1	2,00	
C-RGS 10-35	26101035	26201035	10,5	35	5	1	1,60	
C-RGS 10-40	26101040	26201040	10,5	40	5	1	2,25	
C-RGS 10-45	26101045	26201045	10,5	45	5	2	2,65	
C-RGS 10-50	26101050	26201050	10,5	50	6	2	4,10	
C-RGS 12-50	26101250	26201250	12,5	50	6	2	4,60	

MATERIALE **C 45 UNI 7845**  
**FOSFATATO**  
**ZINCATO**

Disegni CAD disponibili sul sito  
[www.chiaravalli.com](http://www.chiaravalli.com)



Quantità, disponibilità e prezzi  
 con B2B Chiaravalli

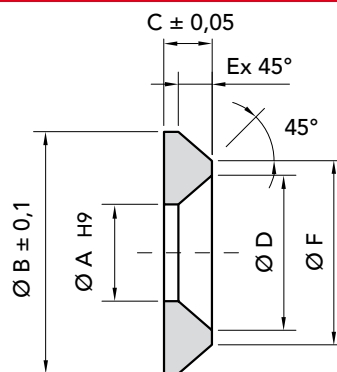


# RONDELLE TORNITE CONICHE

5

C-RC

Confezioni da 30pz



TIPO	CODICE FOSFATATE	CODICE ZINCATE	Ø A	Ø B	C	Ø D	E	Ø F	PESO PER CONF. kg
C-RC 4	26300004	26400004	4,1	13	3	8	2,1x45°	8,8	0,12
C-RC 5	26300005	26400005	5,2	16	3,5	10	2,6x45°	10,8	0,15
C-RC 6	26300006	26400006	6,5	18	3,5	12	2,1x45°	13,8	0,24
C-RC 8	26300008	26400008	8,5	25	5	16,5	3,5x45°	18	0,36
C-RC 10	26300010	26400010	10,5	33	7	20,5	6x45°	21	0,75
C-RC 12	26300012	26400012	12,5	40	8	24,5	7x45°	26	1,50



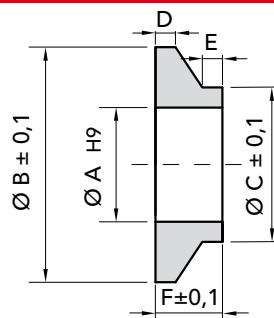
RONDELLE TORNITE CONICHE E PER TESTE SNODATE



# RONDELLE TORNITE PER TESTE SNODATE

C-RS

Confezioni da 30pz



TIPO	CODICE FOSFATATE	CODICE ZINCATE	Ø A	Ø B	C	Ø D	E	Ø F	PESO PER CONF. kg
C-RS 6	26500006	26600006	6,5	15	9	1,5	1	4	0,15
C-RS 8	26500008	26600008	8,5	22	12	1,5	2	6,5	0,27
C-RS 10	26500010	26600010	10,5	22	14	1,5	3	6,5	0,40



MATERIALE C 45 UNI 7845  
FOSFATATO  
ZINCATO

Disegni CAD disponibili sul sito  
[www.chiaravalli.com](http://www.chiaravalli.com)

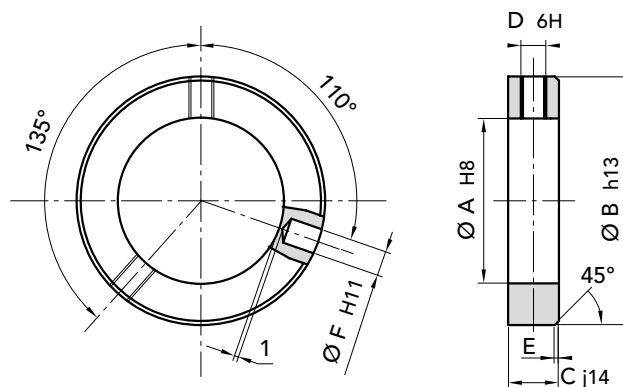
Quantità, disponibilità e prezzi  
con B2B Chiaravalli



## C-ABU

Confezioni da 100pz  
C-ABU 6÷20

Confezioni da 50pz  
C-ABU 25÷70



TIPO	CODICE FOSFATATE	CODICE ZINCATE	CODICE INOX								PESO PER CONF. Kg
				Ø A	Ø B	C	Ø D	E	Ø F		
C-ABU 6	27100006	27200006	27700006	6	12	8	M4	0,8	1,5	0,40	
C-ABU 8	27100008	27200008	27700008	8	16	8	M4	0,8	2	0,80	
C-ABU 10	27100010	27200010	27700010	10	20	10	M5	1	3	1,50	
C-ABU 12	27100012	27200012	27700012	12	22	12	M6	1,2	4	2,00	
C-ABU 14	27100014	27200014		14	25	12	M6	1,2	4	2,70	
C-ABU 15	27100015	27200015	27700015	15	25	12	M6	1,2	4	2,50	
C-ABU 16	27100016	27200016	27700016	16	28	12	M6	1,2	4	3,50	
C-ABU 17	27100017	27200017	27700017	17	28	12	M6	1,2	4	3,00	
C-ABU 18	27100018	27200018		18	32	14	M6	1,4	5	5,40	
C-ABU 20	27100020	27200020	27700020	20	32	14	M6	1,4	5	4,80	
C-ABU 25	27100025	27200025	27700025	25	40	16	M8	1,6	6	4,25	
C-ABU 30	27100030	27200030	27700030	30	45	16	M8	1,6	6	5,00	
C-ABU 35	27100035	27200035	27700035	35	56	16	M8	1,6	8	8,60	
C-ABU 40	27100040	27200040	27700040	40	63	18	M10	1,8	8	12,00	
C-ABU 45	27100045	27200045		45	70	18	M10	1,8	8	13,50	
C-ABU 50	27100050	27200050	27700050	50	80	18	M10	1,8	10	22,00	
C-ABU 60	27100060	27200060		60	90	20	M10	2	10	26,40	
C-ABU 70	27100070	27200070		70	100	20	M10	2	10	28,75	



MATERIALE C 45 UNI 7845  
FOSFATATO  
ZINCATO  
INOX AISI 304

Disegni CAD disponibili sul sito  
[www.chiaravalli.com](http://www.chiaravalli.com)

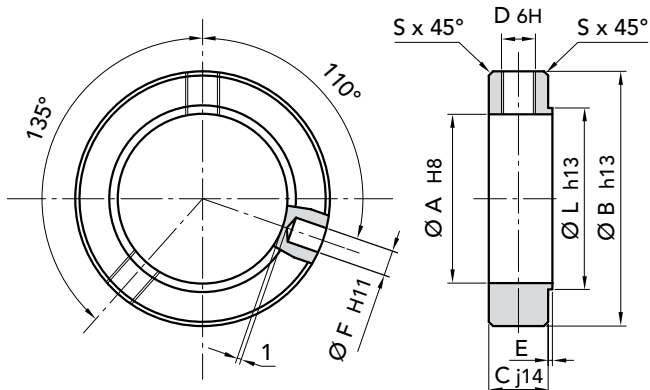
Quantità, disponibilità e prezzi  
con B2B Chiaravalli



# ANELLI DI BLOCCAGGIO FORMA C-AB

C-AB

Confezioni da 30pz



TIPO	CODICE FOSFATATE	CODICE ZINCATE										PESO PER CONF. kg
			Ø A	Ø B	C	Ø D	E	Ø F	Ø L	S		
C-AB 6	27300006	27400006	6	12	8	M4	0,6	1,5	8	0,3	0,06	
C-AB 8	27300008	27400008	8	16	8	M4	0,8	2	10	0,3	0,24	
C-AB 10	27300010	27400010	10	20	10	M5	0,8	3	13	0,3	0,36	
C-AB 12	27300012	27400012	12	22	12	M5	0,8	4	15	0,5	0,42	
C-AB 15	27300015	27400015	15	25	12	M6	1	4	18	0,6	0,63	
C-AB 17	27300017	27400017	17	28	12	M6	1	4	20	0,6	0,72	
C-AB 20	27300020	27400020	20	32	14	M6	1	5	24	0,8	1,44	
C-AB 25	27300025	27400025	25	40	16	M6	1	6	29	0,8	2,61	
C-AB 30	27300030	27400030	30	45	16	M8	1,2	6	34	1	2,10	
C-AB 35	27300035	27400035	35	56	16	M8	1,2	8	39	1	4,92	
C-AB 40	27300040	27400040	40	63	18	M10	1,2	8	44	1	7,50	

ANELLI DI BLOCCAGGIO FORMA C-AB



MATERIALE C 45 UNI 7845  
FOSFATATO  
ZINCATO

Disegni CAD disponibili sul sito  
[www.chiaravalli.com](http://www.chiaravalli.com)

Quantità, disponibilità e prezzi  
con B2B Chiaravalli

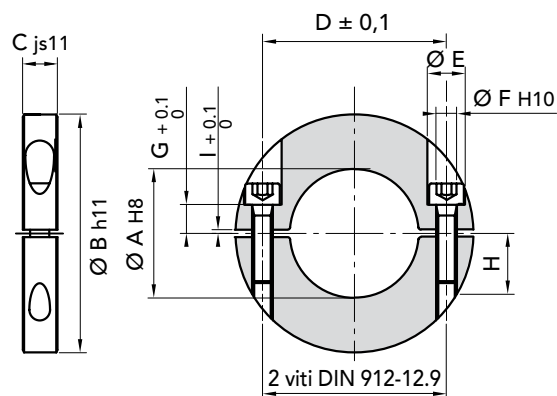




## C-ADB

Confezioni da 10pz  
C-ADB 8÷40

Confezioni da 5pz  
C-ADB 45÷70



TIPO	CODICE FOSFATE	CODICE ZINCATE											PESO PER CONF.	
			Ø A	Ø B	C	Ø D	Ø E	Ø F	G	H	I	Viti	Kg	
C-ADB 8	27500008	27600008	8	25	10	15	8	4,5	5	15	1,4	M4x15	0,40	
C-ADB 10	27500010	27600010	10	32	10	20	8	4,5	5	15	1,4	M4x15	0,57	
C-ADB 12	27500012	27600012	12	32	10	20	8	4,5	5	15	2	M4x15	0,60	
C-ADB 15	27500015	27600015	15	40	12	25	10	5,5	7	18	2	M5x20	1,00	
C-ADB 18	27500018	27600018	18	45	12	30	10	5,5	7	18	2	M5x20	1,25	
C-ADB 20	27500020	27600020	20	45	12	30	10	5,5	7	18	2	M5x20	1,20	
C-ADB 24	27500024	27600024	24	50	12	36	10	5,5	7	18	2	M5x20	1,42	
C-ADB 25	27500025	27600025	25	50	12	36	10	5,5	7	18	2	M5x20	1,41	
C-ADB 28	27500028	27600028	28	56	12	42	10	5,5	7	18	2	M5x20	1,74	
C-ADB 30	27500030	27600030	30	56	12	42	10	5,5	7	18	2	M5x20	1,65	
C-ADB 32	27500032	27600032	32	56	12	42	10	5,5	7	18	2	M5x20	1,60	
C-ADB 35	27500035	27600035	35	63	12	48	10	5,5	7	18	2	M5x20	2,03	
C-ADB 38	27500038	27600038	38	63	12	48	10	5,5	7	18	2	M5x20	2,00	
C-ADB 40	27500040	27600040	40	70	14	55	11	6,5	7	18	2	M6x20	2,84	
C-ADB 45	27500045	27600045	45	80	14	65	11	6,5	7	18	2	M6x20	1,90	
C-ADB 50	27500050	27600050	50	80	14	65	11	6,5	7	18	2	M6x20	1,75	
C-ADB 60	27500060	27600060	60	100	16	80	14	8,5	7	18	2	M8x20	3,15	
C-ADB 70	27500070	27600070	70	110	20	88	17	11	8,5	22	3	M10x25	4,40	
C-ADB 80	27500080	27600080	80	125	20	100	17	11	8,5	22	3	M10x25	5,65	

MATERIALE C 45 UNI 7845  
FOSFATATO  
ZINCATO

Disegni CAD disponibili sul sito  
[www.chiaravalli.com](http://www.chiaravalli.com)

Quantità, disponibilità e prezzi  
con B2B Chiaravalli





# PRODUZIONE

# COMPONENTI SPECIALI

*Produciamo ingranaggi e componenti meccanici di alta precisione.*

*Una vasta e variegata gamma di moderne macchine a CNC assicura capacità produttiva e qualità di elevato livello. Il personale Chiaravalli Group SpA altamente specializzato e con grande spirito di appartenenza all'azienda, opera avvalendosi delle più moderne tecnologie CAE e CAD-CAM.*

*La produzione è certificata e garantita attraverso l'utilizzo di macchine tridimensionali di misura di elevata precisione.*

***Chiaravalli Group SpA partner tecnologico per produzioni di alta qualità.***





# MARTINETTI

# MECCANICI

*La nuova linea di prodotto Martinetti Meccanici denominata CHT (Chiaravalli High Tech) si integra e completa la gamma degli articoli destinati alla Trasmissione Meccanica.*

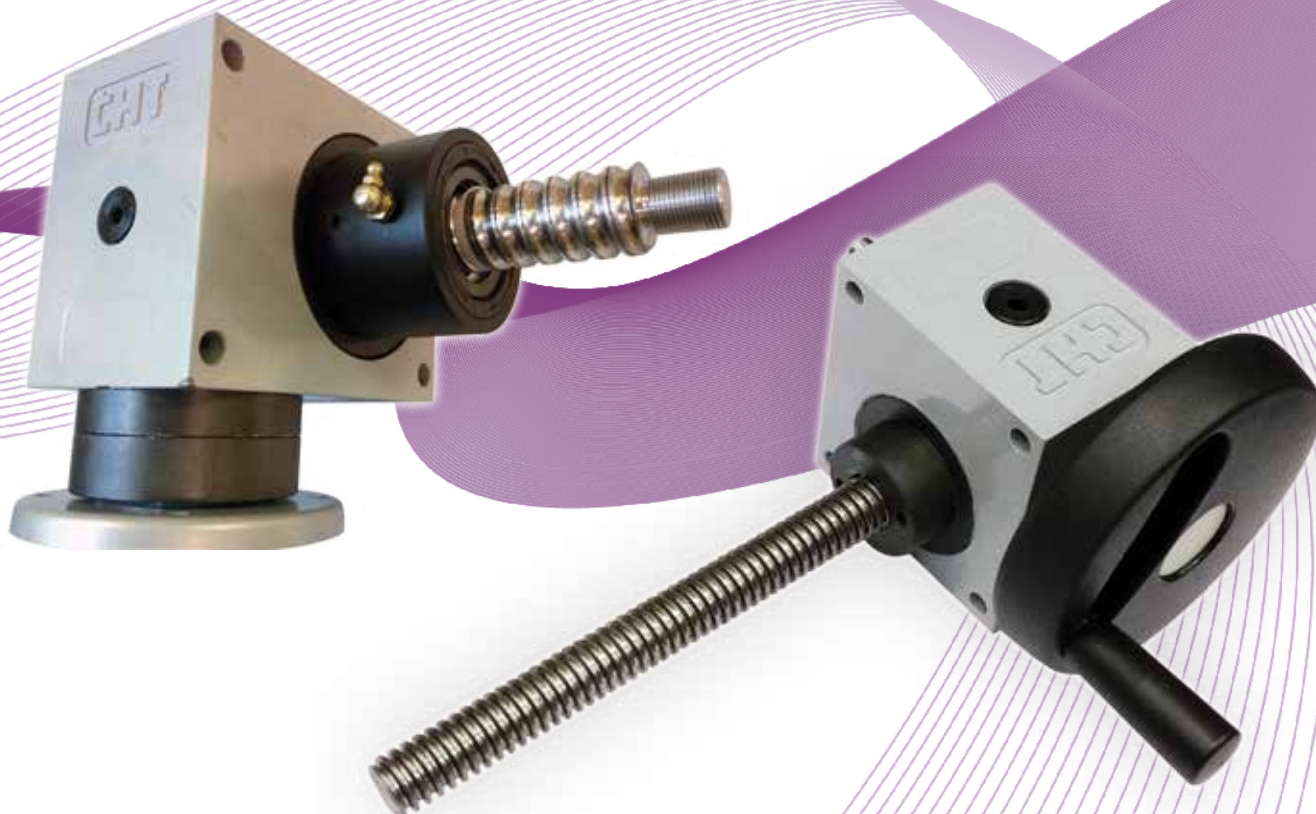
*La nuova linea di prodotti è realizzata utilizzando materiali di alta qualità, lavorati con precisioni assolute, usufruendo del moderno parco macchine di aziende appartenenti alla Chiaravalli Group SpA.*

*Gli elementi base che compongono il prodotto finale*

*Martinetti sono realizzati in grandi serie, rigorosamente controllati e posti a magazzino.*

*Uno speciale software realizzato dalla Chiaravalli Group SpA permette ai nostri clienti di combinare omogeneamente i vari elementi e di realizzare prima, in versione virtuale, il martinetto richiesto e poi, in seconda fase, di ordinarlo con assoluta precisione.*

*L'impegno della Chiaravalli Group SpA è di garantire la consegna di questo prodotto in tempi ristrettissimi, con qualità e precisioni garantite.*







## SUPPORTI BRAND FSB<sup>®</sup>

### SUPPORTI IN GHISA

SERIE: UCP	200	pag.	4
UCF	200		5
UCFL	200		6
UCFA	200		7
UCT	200		8
UCFC	200		9
UCPA	200		10

### SUPPORTI IN LAMIERA

SERIE: PP	200		11
PF	200		12
PFL	200		13

### SUPPORTI IN TERMOPLASTICA

SERIE: P	200		14
F	200		15
FL	200		16

### CUSCINETTI

SERIE: UC	200		18
UK	200		19
SB RILUBRIFICABILE	200		20
SA RILUBRIFICABILE	200		21

### CUSCINETTI INOX

SERIE: SUC	200		23
SSSB RILUBRIFICABILE	200		24

### BUSSOLE SERIE H23... E COPERCHI PER SUPPORTI 25

### GUARNIZIONI 26

### CUSCINETTI RADIALI RIGIDI A SFERA

RCC 2RS			27
RCC ZZ			28

## SUPPORTI MONOBLOCCO BRAND RCM<sup>®</sup>

### SUPPORTI MONOBLOCCO

SERIE RCM			30
-----------	--	--	----

Coppia torcente nominale e potenza trasmissibile			33
---	--	--	----

Diagramma per la scelta dei supporti monoblocco RCM			34
--	--	--	----

SERIE RCM AS albero standard			36
---------------------------------	--	--	----

SERIE RCM AL albero lungo			38
------------------------------	--	--	----

SERIE RCM AL predisposto per ventolina di raffreddamento			40
---	--	--	----

GRUPPO ANTIROTANTE			41
--------------------	--	--	----



CHIARAVALLI GROUP BRAND **FSB**<sup>®</sup>  
SUPPORTI SERIE GHISA, LAMIERA e TERMOPLASTICA

SUPPORTI BRAND **FSB**<sup>®</sup> SERIE GHISA, LAMIERA E TERMOPLASTICA







**UCP 200**



**UCFC 200**



**P 200**

**TERMOPLASTICA**



**UCF 200**



**UCPA 200**



**F 200**

**TERMOPLASTICA**



**UCFL 200**



**PP 200**



**FL 200**

**TERMOPLASTICA**



**UCFA 200**

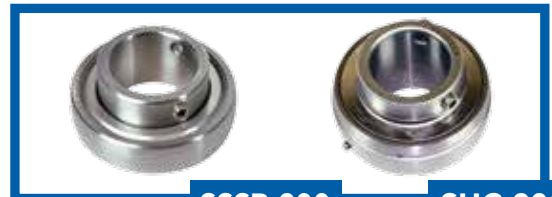


**PF 200**



**PF 200**

**SB 200**



**SSSB 200**

**SUC 200**



**UCT 200**



**PFL 200**



**bussola  
H23**

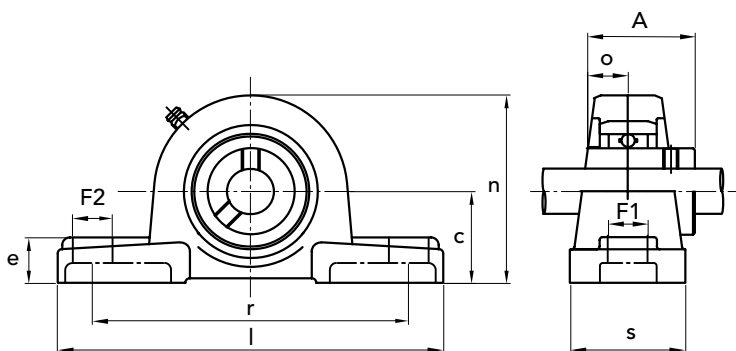
**UC 200**

**UK 200**



UCP 200

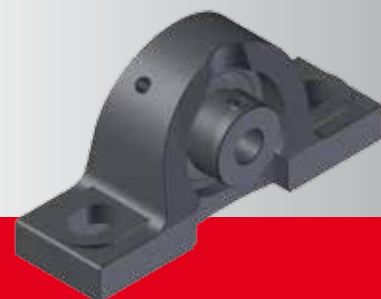
DAL 202 AL 211  
PREDISPOSTI PER MONTAGGIO  
COPERCHIETTO



UCP	CODICE	albero foro Ø mm	DIMENSIONI mm										cuscinetto No.	dim bullone mm	sede No.	peso kg
			c	l	r	s	F1	F2	e	n	A	o				
202	93100202	15	30,2	127	95	38	13	16	14	62	31	12,7	UC 202	M10	P202	0,63
203	93100203	17	30,2	127	95	38	13	16	14	62	31	12,7	UC 203	M10	P203	0,62
204	93100204	20	33,3	127	95	38	13	16	14	65	31	12,7	UC 204	M10	P204	0,70
205	93100205	25	36,5	140	105	38	13	16	15	71	34	14,3	UC 205	M10	P205	0,81
206	93100206	30	42,9	165	121	48	17	20	17	83	38,1	15,9	UC 206	M14	P206	1,30
207	93100207	35	47,6	167	127	48	17	20	18	93	42,9	17,5	UC 207	M14	P207	1,60
208	93100208	40	49,2	184	137	54	17	20	18	98	49,2	19	UC 208	M14	P208	2,00
209	93100209	45	54	190	146	54	17	20	20	106	49,2	19	UC 209	M14	P209	2,30
210	93100210	50	57,2	206	159	60	20	23	21	114	51,6	19	UC 210	M16	P210	2,90
211	93100211	55	63,5	219	171	60	20	23	23	126	55,6	22,2	UC 211	M16	P211	3,70
212	93100212	60	69,8	241	184	70	20	23	25	138	65,1	25,4	UC 212	M16	P212	4,90
213	93100213	65	76,2	265	203	70	25	28	27	151	65,1	25,4	UC 213	M20	P213	5,90
214	93100214	70	79,4	266	210	72	25	28	27	157	74,6	30,2	UC 214	M20	P214	6,60
215	93100215	75	82,6	275	217	74	25	28	28	163	77,8	33,3	UC 215	M20	P215	7,30
216	93100216	80	88,9	292	232	78	25	28	30	175	82,6	33,3	UC 216	M20	P216	10,0
217	93100217	85	95,2	310	247	83	25	28	32	187	85,7	34,1	UC 217	M20	P217	12,2
218	93100218	90	101,6	327	262	88	27	30	33	200	96	39,7	UC 218	M22	P218	14,7

Disegni CAD disponibili sul sito  
[www.chiaravalli.com](http://www.chiaravalli.com)

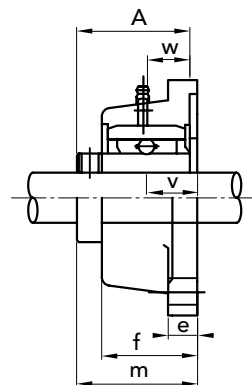
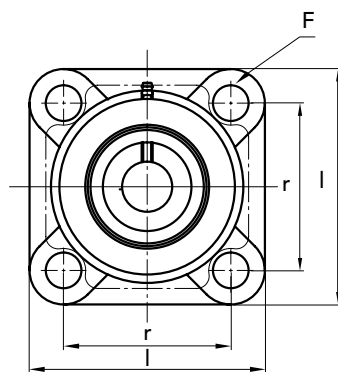
Quantità, disponibilità e prezzi  
con B2B Chiaravalli





**UCF 200**

DAL 202 AL 211  
PREDISPOSTI PER MONTAGGIO  
COPERCHIETTO



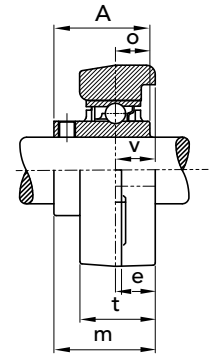
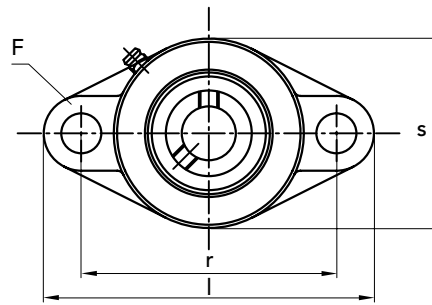
UCF	CODICE	albero foro Ø mm	DIMENSIONI mm										dim			peso kg
			l	r	v	e	f	F	m	A	w	cuscinetto No.	bullone mm	sede No.		
202	93200202	15	86	64	15	11	25,5	12	33,3	31	12,7	UC 202	M10	P202	0,62	
203	93200203	17	86	64	15	11	25,5	12	33,3	31	12,7	UC 203	M10	P203	0,61	
204	93200204	20	86	64	15	11	25,5	12	33,3	31	12,7	UC 204	M10	P204	0,61	
205	93200205	25	95	70	16	13	27	12	35,7	34	14,3	UC 205	M10	P205	0,80	
206	93200206	30	108	83	18	13	31	12	40,2	38,1	15,9	UC 206	M10	P206	1,00	
207	93200207	35	117	92	19	15	34	14	44,4	42,9	17,5	UC 207	M12	P207	1,40	
208	93200208	40	130	102	21	15	36	16	51,2	49,2	19	UC 208	M14	P208	1,80	
209	93200209	45	137	105	22	16	38	16	52,2	49,2	19	UC 209	M14	P209	2,20	
210	93200210	50	143	111	22	16	40	16	54,6	51,6	19	UC 210	M14	P210	2,40	
211	93200211	55	162	130	25	18	43	19	58,4	55,6	22,2	UC 211	M16	P211	3,50	
212	93200212	60	175	143	29	18	48	19	68,7	65,1	25,4	UC 212	M16	P212	4,20	
213	93200213	65	187	149	30	22	50	19	69,7	65,1	25,4	UC 213	M16	P213	5,30	
214	93200214	70	193	152	31	22	54	19	75,4	74,6	30,2	UC 214	M16	P214	5,90	
215	93200215	75	200	159	34	22	56	19	78,5	77,8	33,3	UC 215	M16	P215	6,30	
216	93200216	80	208	165	34	22	58	23	83,3	82,6	33,3	UC 216	M20	P216	7,80	
217	93200217	85	220	175	36	24	63	23	87,6	85,7	34,1	UC 217	M20	P217	9,30	
218	93200218	90	235	187	40	24	68	23	96,3	96	39,7	UC 218	M20	P218	11,3	

SUPPORTI IN GHISA SERIE UCF 200




**UCFL 200**

DAL 202 AL 211  
 PREDISPOSTI PER MONTAGGIO  
 COPERCHIETTO



UCFL	CODICE	albero foro Ø mm	DIMENSIONI mm										cuscinetto No.	dim bullone mm	sede No.	peso kg
			c	l	r	s	F1	F2	e	n	A	o				
202	93300202	15	113	90	15	11	25,5	12	60	33,3	31	12,7	UC 202	M10	FL202	0,48
203	93300203	17	113	90	15	11	25,5	12	60	33,3	31	12,7	UC 203	M10	FL203	0,48
204	93300204	20	113	90	15	11	25,5	12	60	33,3	31	12,7	UC 204	M10	FL204	0,48
205	93300205	25	130	99	16	13	27	16	68	35,7	34	14,3	UC 205	M14	FL205	0,65
206	93300206	30	148	117	18	13	31	16	80	40,2	38,1	15,9	UC 206	M14	FL206	0,94
207	93300207	35	161	130	19	15	34	16	90	44,4	42,9	17,5	UC 207	M14	FL207	1,20
208	93300208	40	175	144	21	15	36	16	100	51,2	49,2	19	UC 208	M14	FL208	1,60
209	93300209	45	188	148	22	16	38	19	108	52,2	49,2	19	UC 209	M16	FL209	2,00
210	93300210	50	197	157	22	16	40	19	115	54,6	51,6	19	UC 210	M16	FL210	2,30
211	93300211	55	224	184	25	18	43	19	130	58,4	55,6	22,2	UC 211	M16	FL211	3,30
212	93300212	60	250	202	29	18	48	23	140	68,7	65,1	25,4	UC 212	M20	FL212	4,30
213	93300213	65	258	210	30	22	50	23	155	69,7	65,1	25,4	UC 213	M20	FL213	5,00
214	93300214	70	265	216	31	22	54	23	160	75,4	74,6	30,2	UC 214	M20	FL214	5,60
215	93300215	75	275	225	34	22	56	23	165	78,5	77,8	33,3	UC 215	M20	FL215	6,20
216	93300216	80	290	233	34	22	58	25	180	83,3	82,6	33,3	UC 216	M22	FL216	8,00

Disegni CAD disponibili sul sito  
[www.chiaravalli.com](http://www.chiaravalli.com)

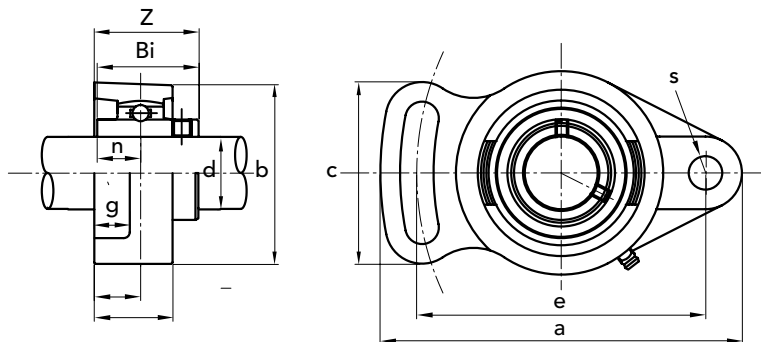
Quantità, disponibilità e prezzi  
 con B2B Chiaravalli





**UCFA 200**

DAL 202 AL 211  
PREDISPOSTI PER MONTAGGIO  
COPERCHIETTO



UCFA	CODICE	albero foro Ø mm	DIMENSIONI mm											dim cuscinetto No.	bullone mm	sede No.	peso kg
			a	e	i	g	l	s	b	z	c	Bi	n				
202	93310202	15	98	78	15	11	25,5	10	60	33,3	50	31,1	12,7	UC 202	M8	FA202	0,47
203	93310203	17	98	78	15	11	25,5	10	60	33,3	50	31,1	12,7	UC 203	M8	FA203	0,47
204	93310204	20	98	78	15	11	25,5	10	60	33,3	50	31,1	12,7	UC 204	M8	FA204	0,47
205	93310205	25	124	98	16	13	27	12	70	35,7	65	34	14,3	UC 205	M10	FA205	0,68
206	93310206	30	141	117	18	13	31	12	83	40,2	72	38,1	15,9	UC 206	M10	FA206	1,00
207	93310207	35	155	130	19	14	34	14	96	44,4	82	42,9	17,5	UC 207	M12	FA207	1,50
208	93310208	40	171	144	21	14	38	14	105	51,2	87	49,2	19	UC 208	M12	FA208	1,90

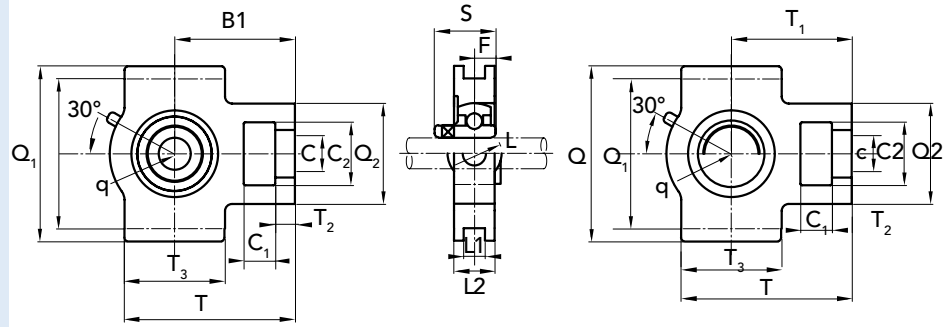
SUPPORTI IN GHISA SERIE UCFA 200






**UCT 200**

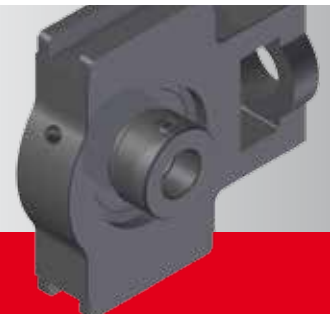
DAL 202 AL 211  
 PREDISPOSTI PER MONTAGGIO  
 COPERCHIETTO



UCT	CODICE	albero foro Ø mm	DIMENSIONI mm														peso kg		
			C <sub>1</sub>	T <sub>2</sub>	Q <sub>2</sub>	C <sub>2</sub>	C	T <sub>3</sub>	L <sub>1</sub>	Q <sub>1</sub>	Q	T	L <sub>2</sub>	L	q	T <sub>1</sub>		S	F
202	93400202	15	16	12	51	32	19	51	12	76	89	94	21	32	33	61	31	12,7	0,80
203	93400203	17	16	12	51	32	19	51	12	76	89	94	21	32	33	61	31	12,7	0,80
204	93400204	20	16	12	51	32	19	51	12	76	89	94	21	32	33	61	31	12,7	0,80
205	93400205	25	16	12	51	32	19	51	12	76	89	97	24	32	35	62	34	14,3	0,80
206	93400206	30	16	12	56	37	22	57	12	89	102	113	28	37	43	70	38,1	15,9	1,15
207	93400207	35	16	15	64	37	22	64	12	89	102	129	30	37	51	78	42,9	17,5	1,15
208	93400208	40	19	18	83	49	29	83	16	102	114	144	33	49	56	88	49,2	19	1,15
209	93400209	45	19	18	83	49	29	83	16	102	117	145	35	49	57	88	49,2	19	1,28
210	93400210	50	19	18	83	49	29	86	16	102	117	151	37	49	59	92	51,6	19	1,28
211	93400211	55	25	21	102	64	35	95	22	130	146	171	38	64	65	106	55,6	22,2	1,28
212	93400212	60	32	21	102	64	35	102	22	130	146	194	42	64	75	119	65,1	25,4	4,58

Disegni CAD disponibili sul sito  
[www.chiaravalli.com](http://www.chiaravalli.com)

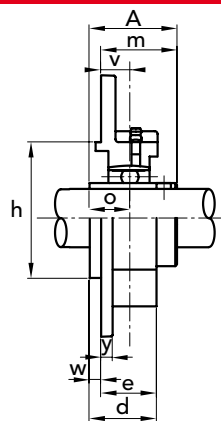
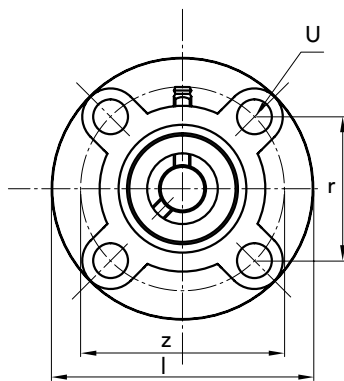
Quantità, disponibilità e prezzi  
 con B2B Chiaravalli





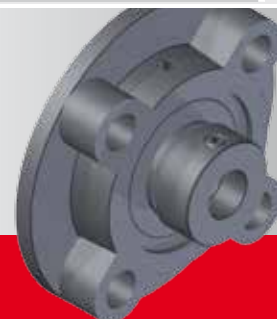
**UCFC 200**

DAL 202 AL 211  
PREDISPOSTI PER MONTAGGIO  
COPERCHIETTO



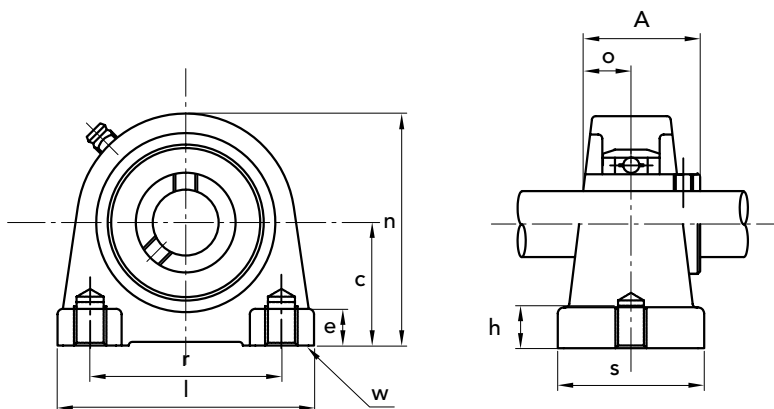
UCFC	CODICE	albero foro Ø mm	DIMENSIONI mm													cuscinetto No.	dim bullone mm	sede No.	peso kg
			l	z	r	v	U	y	w	e	h	m	A	o					
202	93500202	15	100	78	55,1	10	12	5	7	20,5	62	28,3	31	12,7	UC 202	M10	FC202	0,76	
203	93500203	17	100	78	55,1	10	12	5	7	20,5	62	28,3	31	12,7	UC 203	M10	FC203	0,76	
204	93500204	20	100	78	55,1	10	12	5	7	20,5	62	28,3	31	12,7	UC 204	M10	FC204	0,76	
205	93500205	25	115	90	63,6	10	12	6	7	21	70	29,7	34	14,3	UC 205	M10	FC205	0,96	
206	93500206	30	125	100	70,7	10	12	8	8	23	80	32,2	38,1	15,9	UC 206	M10	FC206	1,30	
207	93500207	35	135	110	77,8	11	14	8	9	26	90	36,4	42,9	17,5	UC 207	M12	FC207	1,70	
208	93500208	40	145	120	84,8	11	14	10	9	26	100	41,2	49,2	19	UC 208	M12	FC208	2,00	
209	93500209	45	160	132	93,3	10	16	12	14	26	105	40,2	49,2	19	UC 209	M14	FC209	2,70	
210	93500210	50	165	138	97,6	10	16	12	14	28	110	42,6	51,6	19	UC 210	M14	FC210	2,90	
211	93500211	55	185	150	106,1	13	19	12	15	31	125	46,4	55,6	22,2	UC 211	M16	FC211	4,30	
212	93500212	60	195	160	113,1	17	19	12	15	36	135	56,7	65,1	25,4	UC 212	M16	FC212	5,00	
213	93500213	65	205	170	120,2	16	19	14	15	36	145	55,7	65,1	25,4	UC 213	M16	FC213	5,70	
214	93500214	70	215	177	125,1	17	19	14	18	40	150	61,4	74,6	30,2	UC 214	M16	FC214	6,80	

SUPPORTI IN GHISA SERIE UCFC 200




**UCPA 200**

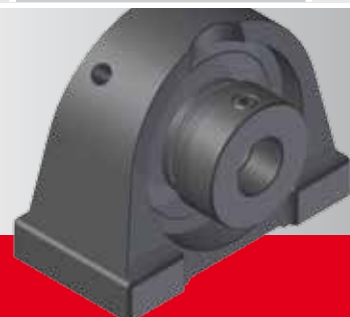
DAL 202 AL 211  
 PREDISPOSTI PER MONTAGGIO  
 COPERCHIETTO



UCFL	CODICE	albero foro Ø mm	DIMENSIONI mm										cuscinetto No.	sede No.	peso kg
			c	l	r	s	w	e	n	A	o	h			
202	93600202	15	30,2	76	52	40	M10x1,5	11	62	31	12,7	13	UC 202	PA202	0,63
203	93600203	17	30,2	76	52	40	M10x1,5	11	62	31	12,7	13	UC 203	PA203	0,62
204	93600204	20	30,2	76	52	40	M10x1,5	11	62	31	12,7	13	UC 204	PA204	0,64
205	93600205	25	36,5	84	56	45	M10x1,5	12	72	34	14,3	15	UC 205	PA205	0,81
206	93600206	30	42,9	94	66	50	M14x2	12	84	38,1	15,9	18	UC 206	PA206	1,20
207	93600207	35	47,6	110	80	55	M14x2	13	95	42,9	17,5	20	UC 207	PA207	1,65
208	93600208	40	49,2	116	84	58	M14x2	13	100	49,2	19	20	UC 208	PA208	2,00
209	93600209	45	54,2	120	90	60	M14x2	13	108	49,2	19	25	UC 209	PA209	2,30
210	93600210	50	57,2	130	94	64	M16x2	14	116	51,6	19	25	UC 210	PA210	2,90

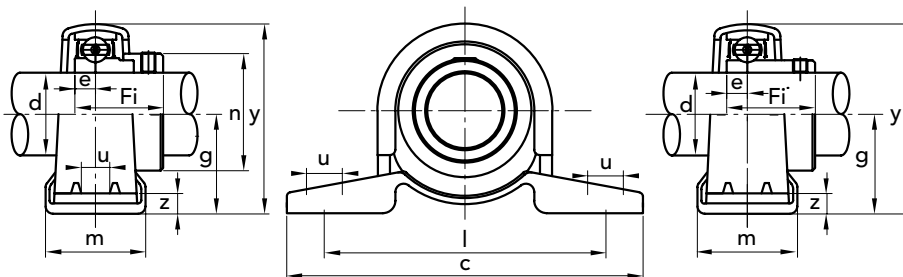
Disegni CAD disponibili sul sito  
[www.chiaravalli.com](http://www.chiaravalli.com)

Quantità, disponibilità e prezzi  
 con B2B Chiaravalli





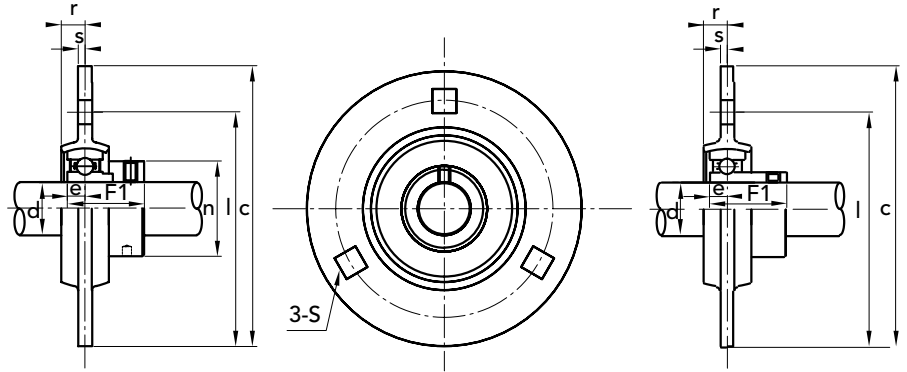
PP 200



SUPPORTI IN LAMIERA **SERIE PP 200**

PP	CODICE	albero foro Ø mm	DIMENSIONI mm								dim bullone mm	SAPP				SBPP			sede No.
			g	c	l	m	u	z	y	e		Fi	n	No.	kg	Fi	No.	Kg	
201	93700201	12	22,2	86	68	25	9,5	3	43,8	6	M8	28,6	28,6	SA201	0,19	22	SB201	0,16	PP201
202	93700202	15	22,2	86	68	25	9,5	3	43,8	6	M8	28,6	28,6	SA202	0,19	22	SB202	0,16	PP202
203	93700203	17	22,2	86	68	25	9,5	3	43,8	6	M8	28,6	28,6	SA203	0,19	22	SB203	0,16	PP203
204	93700204	20	25,4	98	76	32	9,5	3	50,5	7	M8	31	33,3	SA204	0,23	25	SB204	0,23	PP204
205	93700205	25	28,6	108	86	32	11,5	4	56,6	7,5	M10	31	38,1	SA205	0,32	27	SB205	0,28	PP205
206	93700206	30	33,3	117	95	38	11,5	4	66,3	8	M10	35,7	44,5	SA206	0,50	30	SB206	0,47	PP206




**PF 200**

**SAPF**
**SBPF**

PF	CODICE	albero foro Ø mm	DIMENSIONI mm							dim bullone mm	cuscinetto peso				cuscinetto peso			sede No.
			c	l	r	s	S	e	Fi		n	No.	kg	Fi	No.	Kg		
201	93800201	12	81	63,5	7	2	7,1	6	M6	28,6	28,6	SA201	0,30	22	SB201	0,27	PF201	
202	93800202	15	81	63,5	7	2	7,1	6	M6	28,6	28,6	SA202	0,30	22	SB202	0,27	PF202	
203	93800203	17	81	63,5	7	2	7,1	6	M6	28,6	28,6	SA203	0,30	22	SB203	0,27	PF203	
204	93800204	20	90	71,5	8	2	9	7	M8	31	33,3	SA204	0,33	25	SB204	0,33	PF204	
205	93800205	25	95	76	9	2	9	7,5	M8	31	38,1	SA205	0,42	27	SB205	0,38	PF205	
206	93800206	30	113	90,5	9,5	2,6	11	8	M10	35,7	44,5	SA206	0,65	30	SB206	0,62	PF206	
207	93800207	35	122	100	11	2,6	11	8,5	M10	38,9	55,6	SA207	0,90	32	SB207	0,82	PF207	

Disegni CAD disponibili sul sito  
[www.chiaravalli.com](http://www.chiaravalli.com)

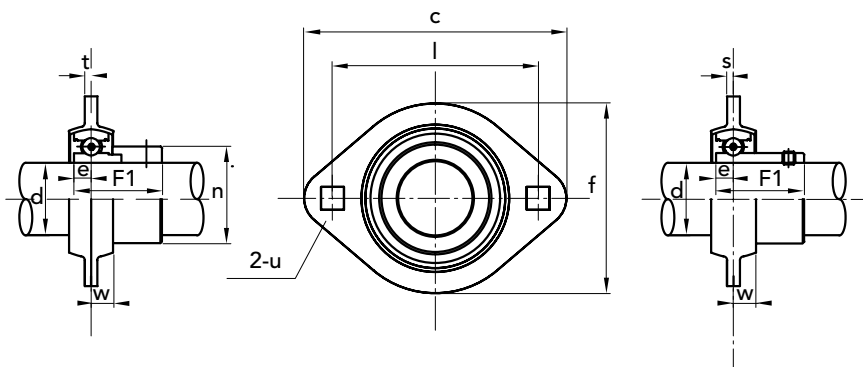
Quantità, disponibilità e prezzi  
 con B2B Chiaravalli







PFL 200



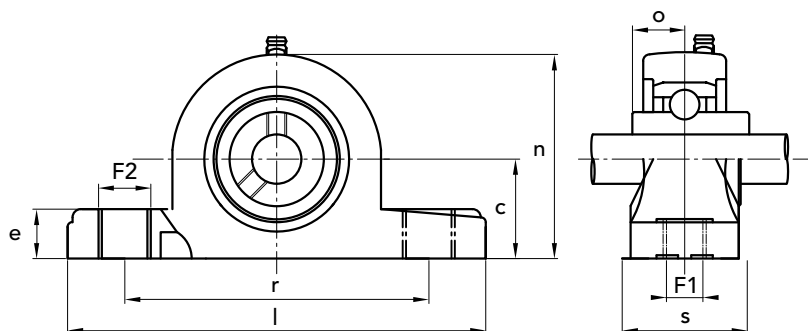
SAPFL

SBPFL

PFL	codice	albero foro Ø mm	DIMENSIONI mm								dim bullone mm	cuscinetto peso				sede No.		
			c	l	w	f	s	u	e	Fi		n	No.	kg	Fi		No.	Kg
201	93900201	12	81	63,5	7	59	2	7,1	6	M6	28,6	28,6	SA201	0,22	22	SB201	0,19	PFL201
202	93900202	15	81	63,5	7	59	2	7,1	6	M6	28,6	28,6	SA202	0,22	22	SB202	0,19	PFL202
203	93900203	17	81	63,5	7	59	2	7,1	6	M6	28,6	28,6	SA203	0,22	22	SB203	0,19	PFL203
204	93900204	20	90	71,5	8	67	2	9	7	M8	31	33,3	SA204	0,24	25	SB204	0,24	PFL204
205	93900205	25	95	76	9	71	2	9	7,5	M8	31	38,1	SA205	0,32	27	SB205	0,28	PFL205
206	93900206	30	113	90,5	9,5	84	2,6	11	8	M10	35,7	44,5	SA206	0,41	30	SB206	0,38	PFL206

SUPPORTI IN LAMIERA **SERIE PFL 200**




**P 200**


P	CODICE	albero foro Ø mm	DIMENSIONI mm									bullone mm	sede No.	peso kg
			c	l	r	s	F1	F2	e	n	o			
203	93191203	17	33,3	127	95	38	11	14	14,2	65,5	12,7	M10	P203	0,13
204	93191204	20	33,3	127	95	38	11	14	14,2	65,5	12,7	M10	P104	0,13
205	93191205	25	36,5	140,5	105	38	11	14	14,5	71	14,3	M10	P205	0,14
206	93191206	30	42,9	163	119	46	14	18	17,8	84	15,9	M12	P206	0,25
207	93191207	35	47,6	168	127	48	14	18	18	94,5	17,5	M12	P207	0,27
208	93191208	40	49,2	184	137	54	14	18	19,5	99	19	M12	P208	0,32
209	93191209	45	54	192	146	54	17	20	23	1,6	19	M16	P209	0,37
210	93191210	50	57,2	206	159	60	17	20	23	114	19	M16	P210	0,44

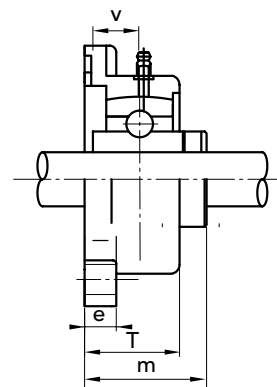
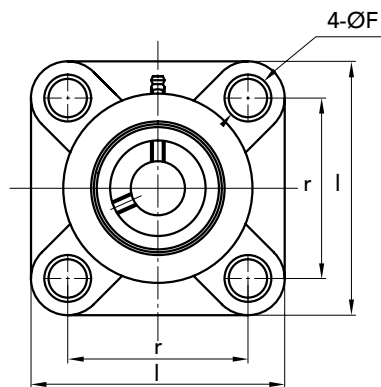
Disegni CAD disponibili sul sito  
[www.chiaravalli.com](http://www.chiaravalli.com)

Quantità, disponibilità e prezzi  
 con B2B Chiaravalli





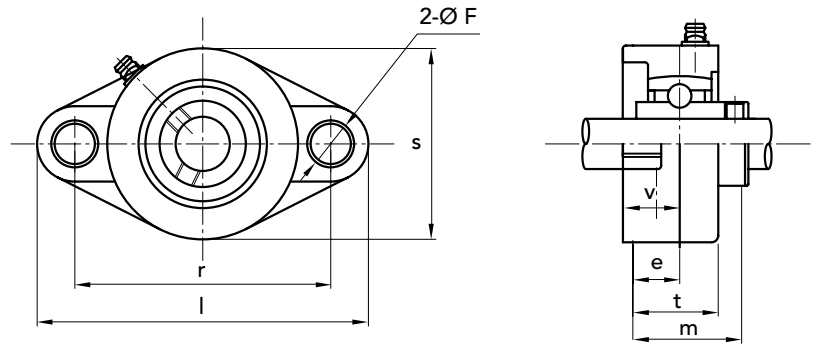
F 200



CODICE	albero foro Ø mm	DIMENSIONI mm								bullone mm	sede No.	peso kg
		l	r	c	T	F	m	v				
203	93291203	17	88	63,5	18,4	27,8	11	36,3	18	M10	F203	0,13
204	93291204	20	88	63,5	18,4	27,8	11	36,3	18	M10	F104	0,13
205	93291205	25	95	70	14	28	11	36,7	17	M10	F205	0,14
206	93291206	30	107	83	14,3	31,5	11	41,4	19,2	M10	F206	0,21
207	93291207	35	118	92	15,5	34,8	13	45,9	21,5	M12	F207	0,26
208	93291208	40	130	102	17	37,5	14	53,2	23	M16	F208	0,34
209	93291209	45	137	105	19	41	17	54,2	24	M16	F209	0,41
210	93291210	50	143	111	21	43	17	27,6	25	M16	F210	0,44

SUPPORTI IN TERMOPLASTICA SERIE F 200




**FL 200**


FL	CODICE	albero foro Ø mm	DIMENSIONI mm								bullone mm	sede No.	peso kg
			l	r	c	e	t	F	m	v			
203	93391203	17	113	90	65	11,4	26,5	11	33,7	15,4	M10	FL203	0,09
204	93391204	20	113	90	65	11,4	26,5	11	33,7	15,4	M10	FL104	0,09
205	93391203	25	131	99	69,5	13,5	29,1	11	36,7	17	M10	FL205	0,11
206	93391206	30	148	117	80	13,3	30,5	11	41,2	19	M10	FL206	0,13
207	93391207	35	164	130	90	16,1	32,8	13	43,4	18	M10	FL207	0,17
208	93391208	40	176	144	100	20	37,5	14	51,7	21,5	M10	FL208	0,24

Disegni CAD disponibili sul sito  
[www.chiaravalli.com](http://www.chiaravalli.com)

Quantità, disponibilità e prezzi  
 con B2B Chiaravalli





I supporti FSB in termoplastica sono progettati per applicazioni particolari nell'industria alimentare, chimica, farmaceutica, fotografica e dove vi siano problemi di corrosione.

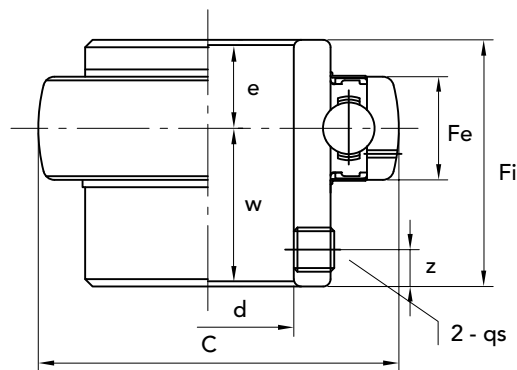
Grazie alle caratteristiche di resistenza alla corrosione e antimagnetività sopportano dure condizioni di lavoro in tutte le applicazioni.

I supporti FSB in termoplastica sono progettati e costruiti con grasso approvato per l'industria alimentare. (Contattateci per richieste grassi per usi specifici).

I supporti FSB in termoplastica sono costruiti per rispondere ad esigenze di:

- Resistenza alla corrosione
- Esposizione ad agenti chimici
- Esposizione ad alte percentuali di umidità
- Sono lubrificabili
- Possono operare a temperature comprese tra -35°C e 120°C




**UC 200**


UC	CODICE	albero foro Ø mm	DIMENSIONI mm							carico dinamico N	carico statico N	peso kg
			C	Fi	Fe	e	w	z	qs			
201	93000201	12	47	31,0	17	12,7	18,3	4,8	M6x1,0	10000	6300	0,21
202	93000202	15	47	31,0	17	12,7	18,3	4,8	M6x1,0	10000	6300	0,19
203	93000203	17	47	31,0	17	12,7	18,3	4,8	M6x1,0	10000	6300	0,18
204	93000204	20	47	31,0	17	12,7	18,3	4,8	M6x1,0	10000	6300	0,16
205	93000205	25	52	34,0	17	14,3	19,7	5,5	M6x1,0	11000	7100	0,20
206	93000206	30	62	38,1	19	15,9	22,2	6,0	M6x1,0	15200	10200	0,32
207	93000207	35	72	42,9	20	17,5	25,4	6,5	M8x1,0	20100	13900	0,48
208	93000208	40	80	49,2	21	19,0	30,2	8,0	M8x1,0	25600	18100	0,64
209	93000209	45	85	49,2	22	19,0	30,2	8,0	M8x1,0	25600	18100	0,68
210	93000210	50	90	51,6	24	19,0	32,6	10	M10x1,0	27500	20200	0,82
211	93000211	55	100	55,6	25	22,2	33,4	10	M10x1,0	34000	25500	1,11
212	93000212	60	110	65,1	27	25,4	39,7	10	M10x1,0	41000	31500	1,54
213	93000213	65	120	65,1	28	25,4	39,7	10	M10x1,0	44800	34700	1,86
214	93000214	70	125	74,6	30	30,2	44,4	12	M12x1,5	48700	38100	2,06
215	93000215	75	130	77,8	30	33,3	44,5	12	M12x1,5	51900	41900	2,21
216	93000216	80	140	82,6	33	33,3	49,3	14	M12x1,5	57000	45500	2,79
217	93000217	85	150	85,7	35	34,1	51,6	14	M12x1,5	66000	53200	3,45
218	93000218	90	160	96,0	37	39,7	56,3	14	M12x1,5	75000	61700	4,35

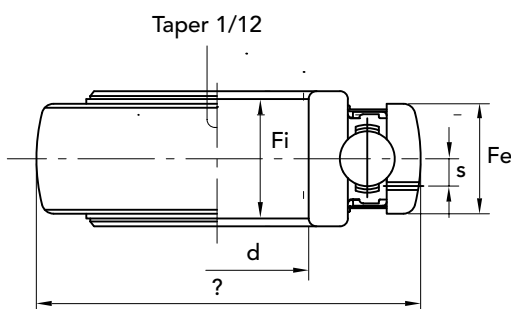


Disegni CAD disponibili sul sito  
[www.chiaravalli.com](http://www.chiaravalli.com)

Quantità, disponibilità e prezzi  
 con B2B Chiaravalli



UK 200



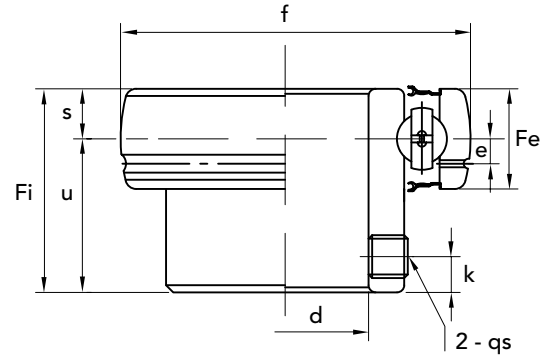
CUSCINETTI SERIE UK 200

UK	CODICE	albero foro Ø mm	DIMENSIONI mm					carico dinamico N	carico statico N	peso kg
			O	Fi	Fe	Fi (taper)	s			
207	93010207	30	72	28	20	30	5,6	20300	14000	0,37
208	93010208	35	80	29	21	34	6,2	23000	16000	0,47
209	93010209	40	85	31	22	36	6,3	25700	18100	0,52
210	93010210	45	90	31	24	36	6,5	27600	20100	0,59
211	93010211	50	100	34	25	40	7,0	34000	25500	0,80
212	93010212	55	110	36	27	47	7,0	41000	31500	1,02



Disegni CAD disponibili sul sito  
[www.chiaravalli.com](http://www.chiaravalli.com)

Quantità, disponibilità e prezzi  
con B2B Chiaravalli


**SB RILUBRIFICABILE 200**


SB	CODICE	albero foro Ø mm	DIMENSIONI mm								carico dinamico N	carico statico N	peso kg
			Fe	f	F1	s	u	k	e	qs			
201	93020201	12	12	40	22	6,0	16,0	4,5	3,6	M5x0,8	7600	4500	0,10
202	93020202	15	12	40	22	6,0	16,0	4,5	3,6	M5x0,8	7600	4500	0,10
203	93020203	17	12	40	22	6,0	16,0	4,5	3,6	M5x0,8	7600	4500	0,10
204	93020204	20	14	47	25	7,0	18,0	4,5	3,9	M6x1,0	10000	6300	0,15
205	93020205	25	15	52	27	7,5	19,5	5,5	3,9	M6x1,0	11000	7100	0,18
206	93020206	30	16	62	30	8,0	22,0	5,5	5,0	M6x1,0	15200	10200	0,27
207	93020207	35	17	72	32	8,5	23,5	6,5	5,5	M8x1,0	20100	13900	0,42
208	93020208	40	18	80	34	9,0	25,0	7,0	6,0	M8x1,0	25600	18100	0,60
209	93020209	45	19	85	41,2	9,5	31,7	8,2	6,3	M8x1,0	32600	24500	0,80
210	93020210	50	20	90	41,6	10,0	31,6	9,2	6,5	M8x1,0	35800	23000	0,83

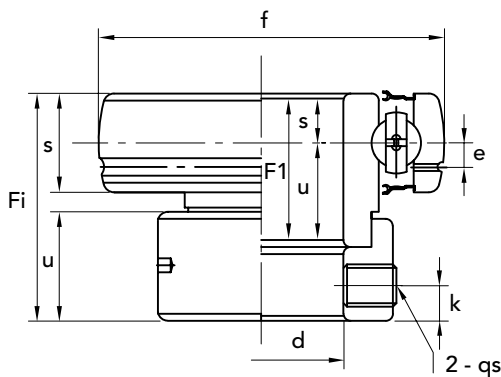
Disegni CAD disponibili sul sito  
[www.chiaravalli.com](http://www.chiaravalli.com)

Quantità, disponibilità e prezzi  
 con B2B Chiaravalli



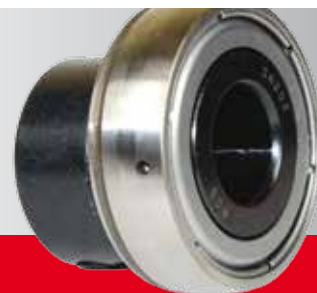


**SA RILUBRIFICABILE 200**



**CUSCINETTI SERIE SA RILUBRIFICABILE 200**

SA	CODICE	albero foro Ø mm	DIMENSIONI mm											carico dinamico N	carico statico N	peso kg
			Fe	f	F1	s	u	Fi	h	o	k	e	qs			
201	93030201	12	12	40	19,1	6,0	13,1	28,6	28,6	13,5	5,0	3,6	M6x1,0	9600	4800	0,13
202	93030202	15	12	40	19,1	6,0	13,1	28,6	28,6	13,5	5,0	3,6	M6x1,0	9600	4800	0,13
203	93030203	17	12	40	19,1	6,0	13,1	28,6	28,6	13,5	5,0	3,6	M6x1,0	9600	4800	0,13
204	93030204	20	14	47	21,5	7,0	14,5	31,0	33,3	13,5	5,0	3,9	M6x1,0	10000	6300	0,15
205	93030205	25	15	52	21,5	7,5	14	31,0	38,1	13,5	5,0	3,9	M6x1,0	11000	7100	0,22
206	93030206	30	16	62	23,8	8,0	15,8	35,7	44,5	15,9	6,0	5	M8x1,0	15200	10200	0,30
207	93030207	35	17	72	25,4	8,5	16,9	38,9	55,6	17,5	6,5	5,5	M8x1,0	20100	13900	0,50
208	93030208	40	18	80	30,2	9,0	21,2	43,7	60,3	18,3	6,5	6,0	M8x1,0	25600	18100	0,67
209	93030209	45	19	85	30,2	9,5	20,7	43,7	63,5	18,3	6,5	6,3	M8x1,0	33000	21000	0,73
210	93030210	50	20	90	30,2	10,0	20,2	43,7	69,9	18,3	6,5	6,5	M8x1,0	35000	23000	0,83





## MATERIALI E TEMPERATURA DI UTILIZZO

Descrizione	Materiali
Carcassa	AISI 304
Grani	AISI 304
Gabbia	AISI 321
Anello e carcassa	AISI 321
Anello interno e esterno	AISI 440C
Sfere	AISI 404C
Ingrassatore	AISI 302
Grasso	PER ALIMENTI
Temperatura di utilizzo	-20° +120°

### Coppia di serraggio

Grani	Cuscinetto n°	Coppia di Serraggio (N//m)
M6 X 1	SUC 204-206	3,9
M8 X 1	SUC 207-209	8,3
M10 X 1	SUC 210	16

#### APPLICAZIONI TIPICHE

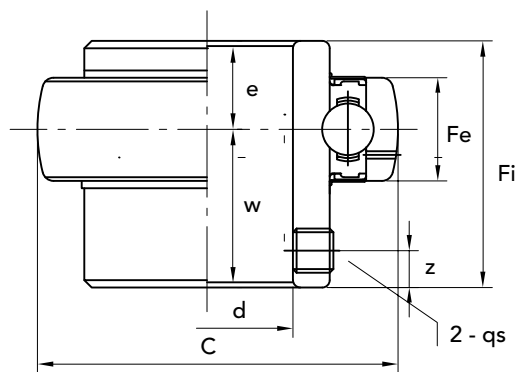
Macchine per alimentazione, industria farmaceutica, chimica e agricoltura ecc.

Dove sono richieste caratteristiche di antiruggine e anticorrosione.





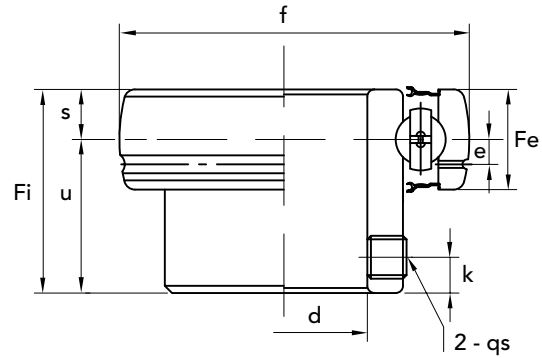
SUC 200



CUSCINETTI INOX SERIE SUC 200

SUC	CODICE	albero foro Ø mm	DIMENSIONI mm							carico dinamico N	carico statico N	peso kg
			C	Fi	Fe	e	w	z	qs			
203	93009203	17	47	31,0	17	12,7	18,3	4,8	M6x1,0	10000	6300	0,18
204	93009204	20	47	31,0	17	12,7	18,3	4,8	M6x1,0	10000	6300	0,16
205	93009205	25	52	34,0	17	14,3	19,7	5,5	M6x1,0	11000	7100	0,20
206	93009206	30	62	38,1	19	15,9	22,2	6,0	M6x1,0	15200	10200	0,32
207	93009207	35	72	42,9	20	17,5	25,4	6,5	M8x1,0	20100	13900	0,48
208	93009208	40	80	49,2	21	19,0	30,2	8,0	M8x1,0	25600	18100	0,64
209	93009209	45	85	49,2	22	19,0	30,2	8,0	M8x1,0	25600	18100	0,68
210	93009210	50	90	51,6	24	19,0	32,6	10	M10x1,0	27500	20200	0,82




**SSSB RILUBRIFICABILE 200**


SSSB	CODICE	albero foro Ø mm	DIMENSIONI mm								carico dinamico N	carico statico N	peso kg
			Fe	f	F1	s	u	k	e	qs			
203	93029203	17	12	40	22	6,0	16,0	4,5	3,6	M5x0,8	7600	4500	0,10
204	93029204	20	14	47	25	7,0	18,0	4,5	3,9	M6x1,0	10000	6300	0,15
205	93029205	25	15	52	27	7,5	19,5	5,5	3,9	M6x1,0	11000	7100	0,18
206	93029206	30	16	62	30	8,0	22,0	5,5	5,0	M6x1,0	15200	10200	0,27
207	93029207	35	17	72	32	8,5	23,5	6,5	5,5	M8x1,0	20100	13900	0,42
208	93029208	40	18	80	34	9,0	25,0	7,0	6,0	M8x1,0	25600	18100	0,60
209	93029209	45	19	85	41,2	9,5	31,7	8,2	6,3	M8x1,0	32600	24500	0,80
210	93029210	50	20	90	41,6	10,0	31,6	9,2	6,5	M8x1,0	35800	23000	0,83

Disegni CAD disponibili sul sito  
[www.chiaravalli.com](http://www.chiaravalli.com)

Quantità, disponibilità e prezzi  
 con B2B Chiaravalli





**BUSSOLE SERIE H23...**

H	CODICE	Albero foro Ø mm
2307	93002307	30
2308	93002308	35
2309	93002309	40
2310	93002310	45
2311	93002311	50
2312	93002312	55



**COPERCHI PER SUPPORTI IN GHISA**

**COPERCHI CHIUSI**



per supporto	CODICE
202	93330202
203	93330203
204	93330204
205	93330205
206	93330206
207	93330207
208	93330208
209	93330209
210	93330210
211	93330211

**COPERCHI APERTI CON GUARNIZIONE**



per supporto	CODICE
202	93320202
203	93320203
204	93320204
205	93320205
206	93320206
207	93320207
208	93320208
209	93320209
210	93320210
211	93320211

**COPERCHI PER SUPPORTI IN LAMIERA E TERMOPLASTICA**

**COPERCHI CHIUSI**



per supporto	CODICE
202	93329202
203	93329203
204	93329204
205	93329205
206	93329206
207	93329207
208	93329208
209	93329209
210	93329210
211	93329211

**COPERCHI APERTI CON GUARNIZIONE**



per supporto	CODICE
203	93339203
204	93339204
205	93339205
206	93339206
207	93339207
208	93339208
209	93339209
210	93339210

BUSSOLE SERIE H23... - COPERCHI PER SUPPORTI



### SERIE F - FL

per supporto	d	CODICE
BS203	20	93349203
BS204	20	93349204
BS205	25	93349205
BS206	30	93349206
BS207	35	93349207
BS208	40	93349208
BS209	45	93349209
BS210	50	93349210



### SERIE P

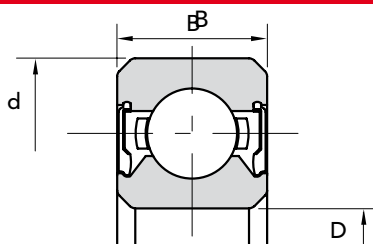
per supporto	CODICE
203	93359203
204	93359204
205	93359205
206	93359206
207	93359207
208	93359208
209	93359209
210	93359210





## RCC 2RS

PRODOTTI DA AZIENDA  
CERTIFICATA ISO 9001



TIPO	CODICE	D mm	d mm	B mm	carico dinamico KN	carico statico KN	Peso Kg.
607 2RS	93060702	7	19	6	2,88	1,08	0,01
608 2RS	93060802	8	22	7	3,32	1,38	0,02
609 2RS	93060902	9	24	7	3,35	1,40	0,16
6000 2RS	93060002	10	26	8	4,58	1,98	0,02
6001 2RS	93060012	12	28	8	5,10	2,38	0,02
6002 2RS	93060022	15	32	9	5,58	2,85	0,03
6003 2RS	93060032	17	35	10	6,00	3,25	0,04
6004 2RS	93060042	20	42	12	9,38	5,02	0,07
6005 2RS	93060052	25	47	12	10,00	5,85	0,08
6006 2RS	93060062	30	55	13	13,20	8,30	0,12
6007 2RS	93060072	35	65	14	16,00	10,30	0,16
6008 2RS	93060082	40	68	15	16,80	11,50	0,20
6009 2RS	93060092	45	75	16	21,00	15,20	0,25
6010 2RS	93060102	50	80	16	21,80	16,60	0,29
6011 2RS	93060112	55	90	18	28,30	21,30	0,39
6012 2RS	93060122	60	95	18	29,50	23,20	0,42
6200 2RS	93062002	10	30	9	5,10	2,38	0,03
6201 2RS	93062012	12	32	10	6,82	3,05	0,04
6202 2RS	93062022	15	35	11	7,65	3,72	0,05
6203 2RS	93062032	17	40	12	9,58	4,78	0,07
6204 2RS	93062042	20	47	14	12,80	6,56	0,10
6205 2RS	93062052	25	52	15	14,00	7,88	0,12
6206 2RS	93062062	30	62	16	19,50	11,30	0,20
6207 2RS	93062072	35	72	17	25,70	15,30	0,29
6208 2RS	93062082	40	80	18	29,10	17,90	0,37
6209 2RS	93062092	45	85	19	32,50	20,50	0,41
6210 2RS	93062102	50	90	20	35,00	23,20	0,46
6211 2RS	93062112	55	100	21	43,50	29,30	0,61
6212 2RS	93062122	60	110	22	52,50	36,00	0,79
6213 2RS	93062132	65	120	23	54,00	38,00	0,90
6214 2RS	93062142	70	125	24	60,20	42,30	0,98
6300 2RS	93063002	10	35	11	7,65	3,48	0,06
6301 2RS	93063012	12	37	12	9,72	5,08	0,06
6302 2RS	93063022	15	42	13	11,50	5,42	0,08
6303 2RS	93063032	17	47	14	13,50	6,58	0,11
6304 2RS	93063042	20	52	15	15,80	7,88	0,14
6305 2RS	93063052	25	62	17	22,20	11,50	0,22
6306 2RS	93063062	30	72	19	27,00	15,20	0,35
6307 2RS	93063072	35	80	21	33,40	19,20	0,46
6308 2RS	93063082	40	90	23	40,80	24,00	0,64
6309 2RS	93063092	45	100	25	52,50	31,80	0,84
6310 2RS	93063102	50	110	27	61,80	38,00	1,09
6311 2RS	93063112	55	120	29	71,50	44,80	1,37
6312 2RS	93063122	60	130	31	81,80	51,80	1,71
6313 2RS	93063132	65	140	33	93,80	60,50	2,10
6314 2RS	93063142	70	150	35	105,00	58,00	2,55
6315 2RS	93063152	75	160	37	113,00	76,80	3,05



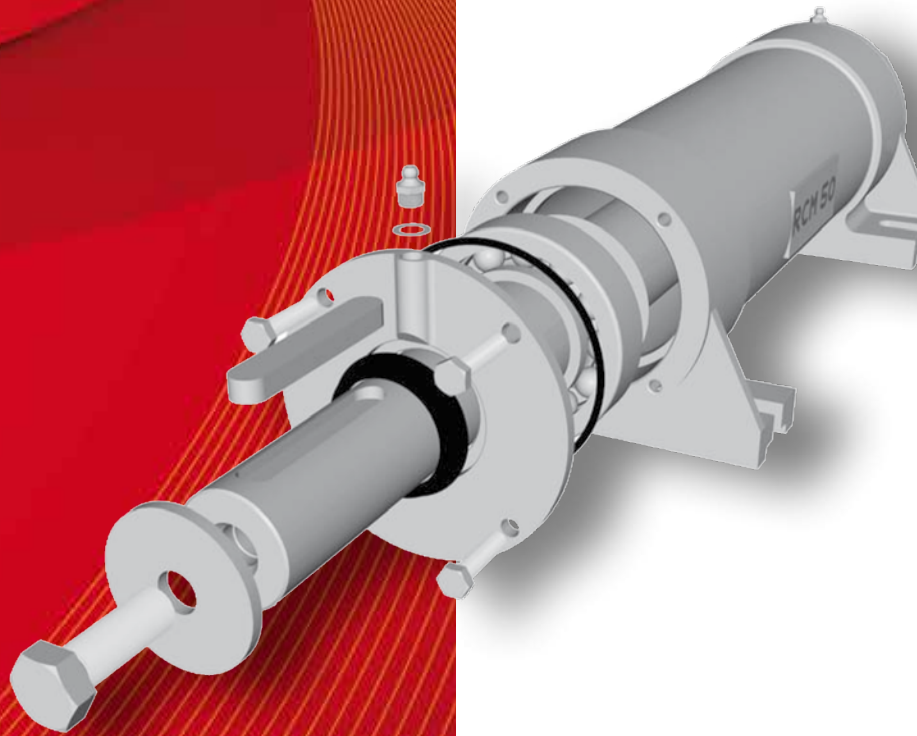




# SUPPORTI MONOBLOCCO BRAND RCM<sup>®</sup>

## SUPPORTI **MONOBLOCCO**

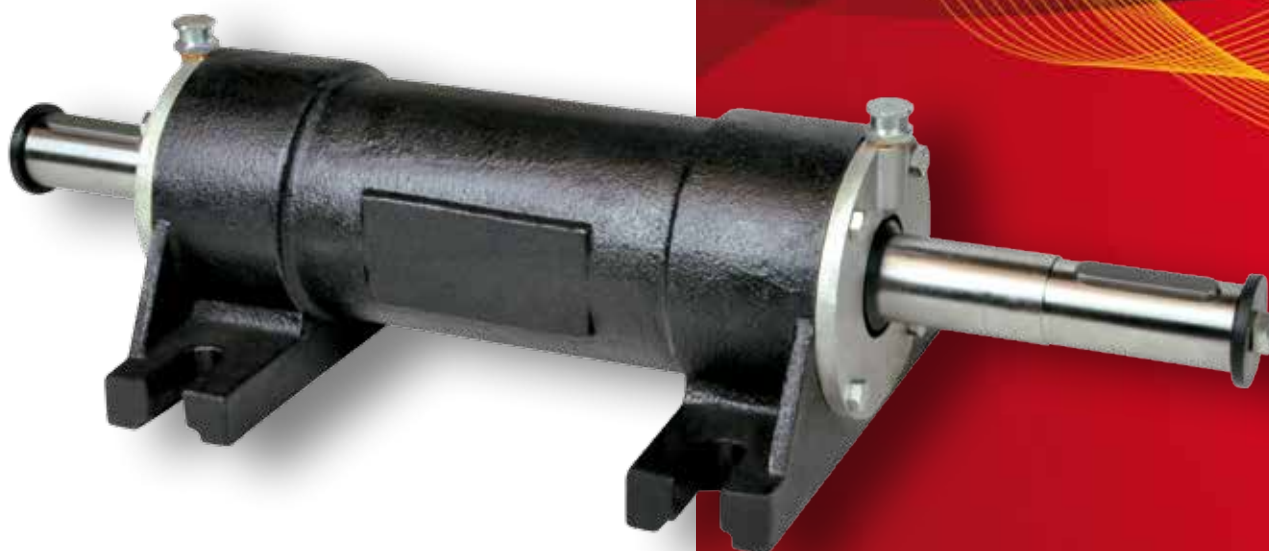
SERIE <b>RCM</b>	pag. 30
Coppia torcente nominale e potenza trasmissibile	33
Diagramma per la scelta dei supporti monoblocco RCM	34
SERIE <b>RCM</b> <b>AS albero standard</b>	36
SERIE <b>RCM</b> <b>AL albero lungo</b>	38
SERIE <b>RCM</b> <b>AL predisposto per ventolina di raffreddamento</b>	40
<b>GRUPPO ANTIROTANTE</b>	41

RCM - AS  
Albero Standard



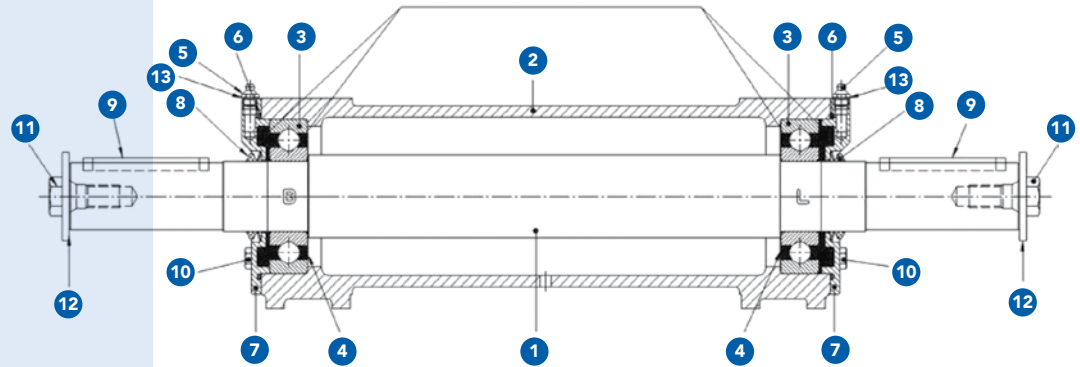


RCM - AL  
Albero Lungo

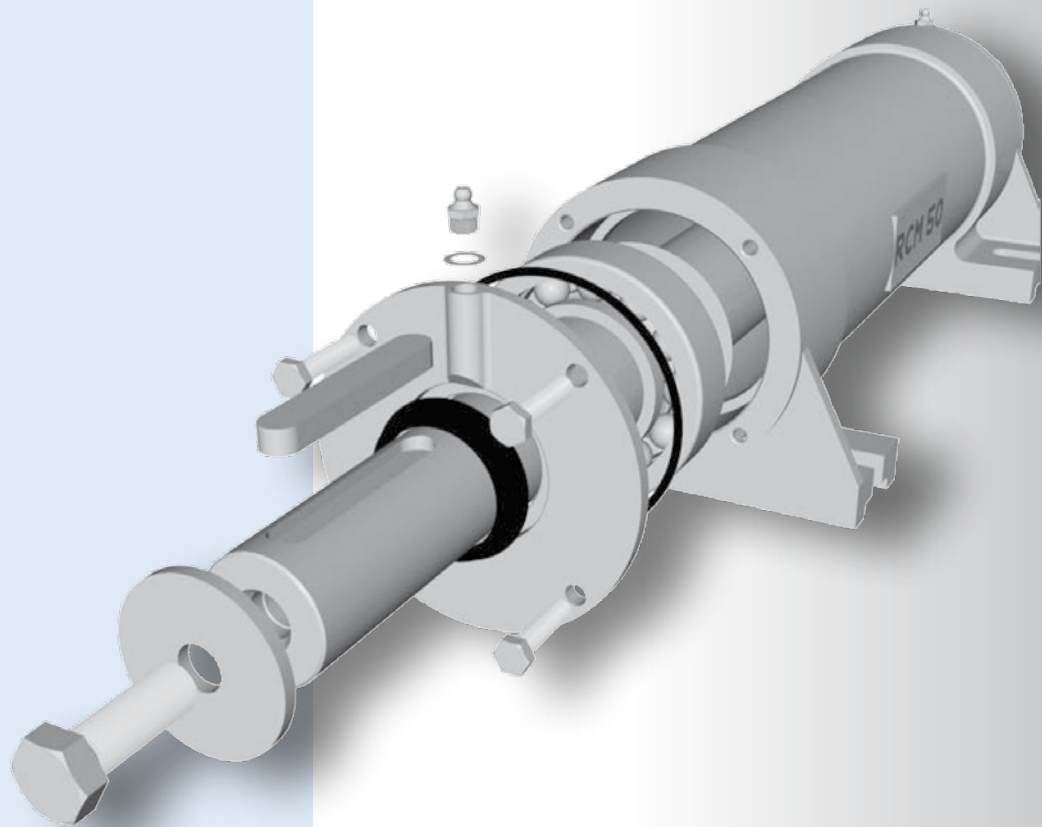



**DESCRIZIONE**

- 1 Albero Acciaio
- 2 Carcassa in ghisa
- 3 Cuscinetto serie 63XX
- 4 Disco paragrasso
- 5 Ingrassatore zincato
- 6 Guarnizione OR
- 7 Coperchio
- 8 Anello V-ring
- 9 Chiavetta
- 10 Vite coperchio zincata
- 11 Vite di testa zincata
- 12 Rondella di testa
- 13 Rondella in rame



Riempire con grasso L G M T - 2 S K F



Disegni CAD disponibili sul sito  
[www.chiaravalli.com](http://www.chiaravalli.com)

Quantità, disponibilità e prezzi  
 con B2B Chiaravalli





**CRITERI DI SELEZIONE DEL GRUPPO MONOBLOCCO**

La scelta del supporto monoblocco, viene effettuata tramite le curve della potenza se il motore è applicato direttamente oppure, tramite il valore della coppia massima se tra il motore ed il supporto è inserita una trasmissione con riduzione di velocità.

I valori delle potenze massime secondo le curve oppure le potenze e le coppie massime indicate in tabella, sono calcolati con fattore di servizio  $F_s=1$ .

Questi valori devono pertanto venire adeguati alle esigenze ed ai criteri di sicurezza dell'utilizzatore.

**MOTORI ASINCRONI TRIFASE CON ROTORE A GABBIA - POTENZE SECONDO NORMATIVA IEC-72**

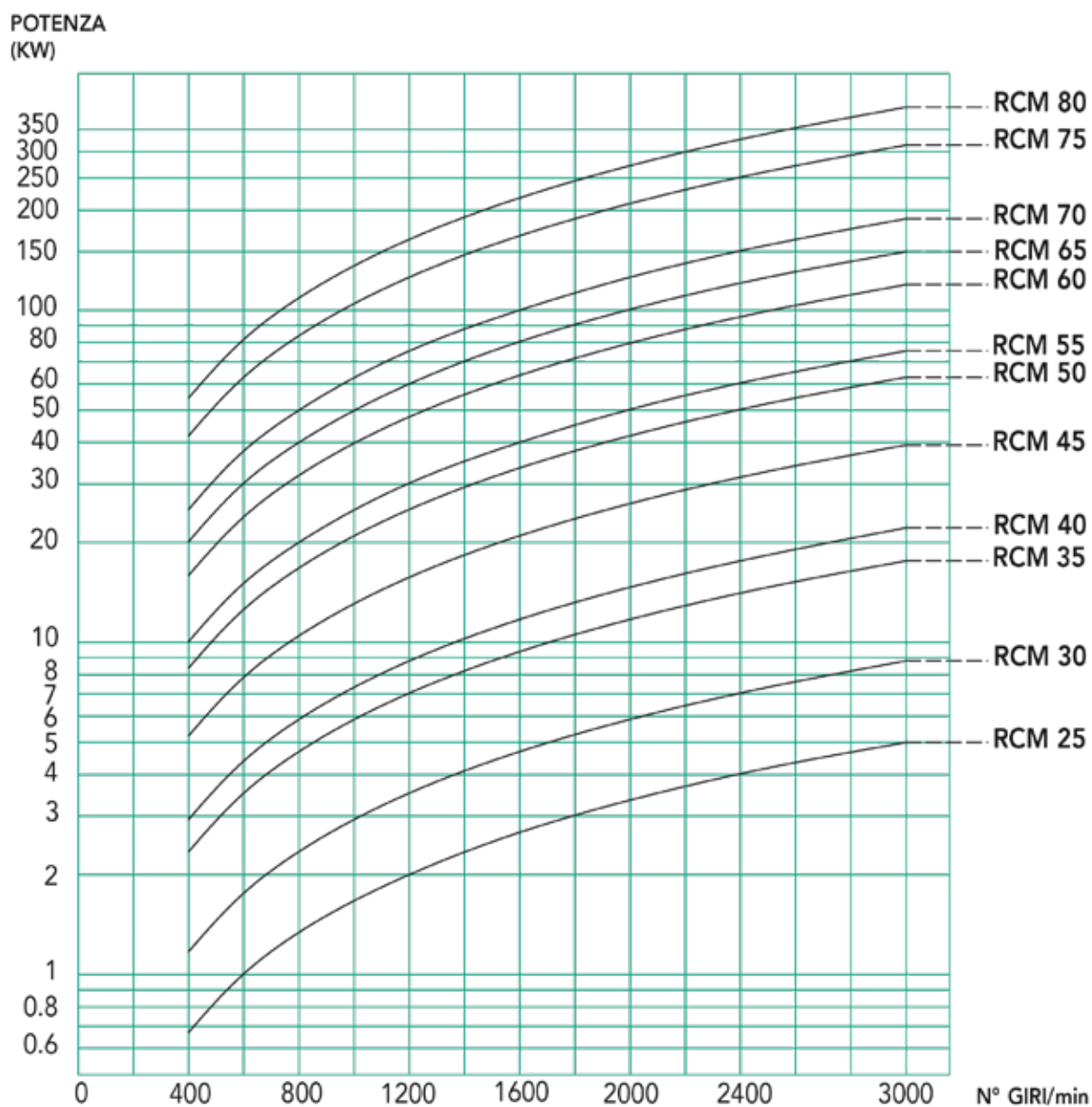
TIPO	Coppia max (Nm)	Potenza 8 poli giri/min. 750 (KW)	Potenza 6 poli giri/min. 1000 (KW)	Potenza 4 poli giri/min. 1500 (KW)	Potenza 2 poli giri/min. 3000 (KW)
RCM 25	16	1,1	1,5	2,2	4,5
RCM 30	28	2,2	3	4,5	9
RCM 35	56	4	5,5	7,5	15
RCM 40	70	5,5	7,5	11	22
RCM 45	125	9,5	11	18,5	37
RCM 50	200	15	18,5	30	55
RCM 55	240	18,5	22	37	75
RCM 60	380	30	37	55	110
RCM 65	480	37	45	75	132
RCM 70	600	45	55	90	160
RCM 75	1000	75	90	132	250
RCM 80	1300	90	132	200	375

SUPPORTI BRAND RCM® COPPIA TORCENTE NOMINALE E POTENZA TRASMISSIBILE

N.B.  
 Tutti i dati e le prestazioni indicati a catalogo valgono per fattore di sicurezza  $F_s=1$

Disegni CAD disponibili sul sito [www.chiaravalli.com](http://www.chiaravalli.com)

Quantità, disponibilità e prezzi con B2B Chiaravalli



N.B.

Tutti i dati e le prestazioni indicati a catalogo valgono per fattore di sicurezza  $F_s=1$

Disegni CAD disponibili sul sito  
[www.chiaravalli.com](http://www.chiaravalli.com)

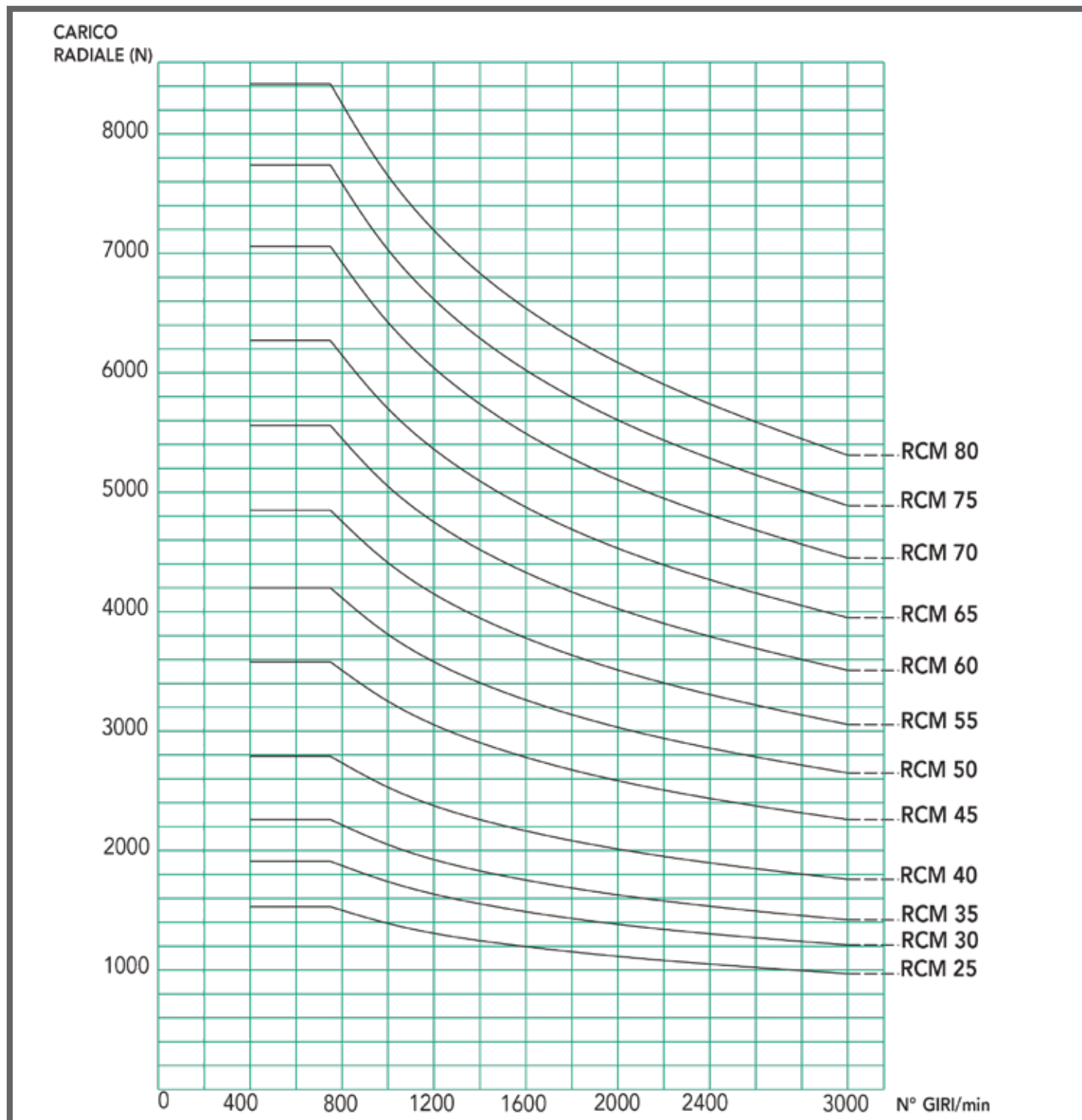
Quantità, disponibilità e prezzi  
 con B2B Chiaravalli



Qualora il collegamento tra il motore di comando ed il supporto monoblocco, oppure tra il supporto e l'utilizzatore venga effettuato con mezzi che generano carichi radiali sull'estremità dell'albero, occorre verificare che tali carichi siano inferiori ai carichi ammissibili indicati dal grafico sottostante.

I carichi radiali massimi indicati dal grafico, sono calcolati con fattore di servizio  $f_s=1$  e valgono per un punto di applicazione alla distanza "x" dalla battuta dell'albero. Per carichi radiali applicati ad una distanza superiore e pari a 1.5x, il valore indicato dai grafici deve venire moltiplicato per un fattore di adeguamento pari a 0.67.

Anche i carichi radiali devono venire adeguati alle specifiche esigenze ed ai criteri di sicurezza scelti dall'utilizzatore.



N.B.

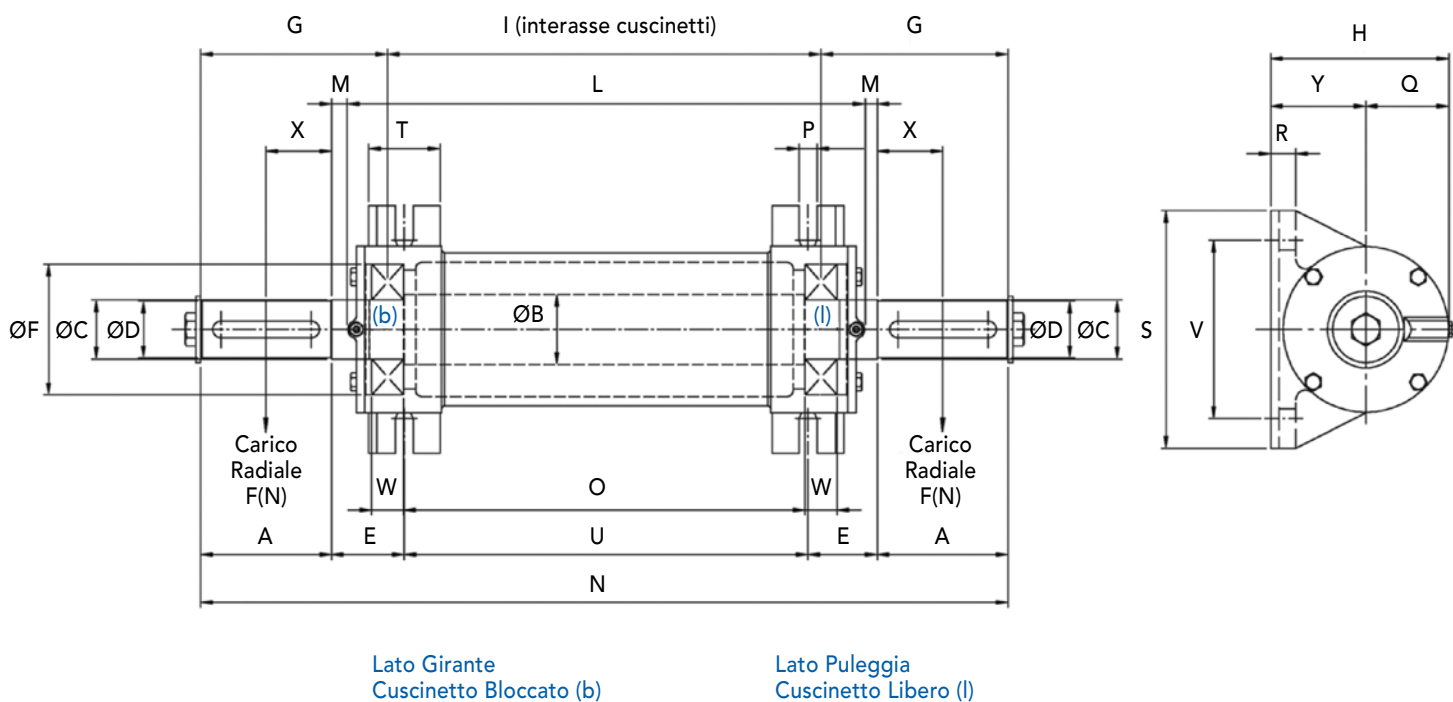
Tutti i dati e le prestazioni indicati a catalogo valgono per fattore di sicurezza  $F_s=1$

Disegni CAD disponibili sul sito [www.chiaravalli.com](http://www.chiaravalli.com)

Quantità, disponibilità e prezzi con B2B Chiaravalli



Per i modelli  
 AS 45 - 50 - 55 - 60 - 70 - 75 - 80  
 a richiesta è previsto un gruppo  
 antirotante  
 BREVETTO EUROPEO N° 03425164.5  
 da montare in sostituzione del  
 coperchio lato cuscinetto bloccato (b)





Per i modelli  
AS 45 - 50 - 55 - 60 - 70 - 75 - 80  
a richiesta è previsto un gruppo  
antirotante  
BREVETTO EUROPEO N° 03425164.5  
da montare in sostituzione del  
coperchio lato cuscinetto bloccato (b)

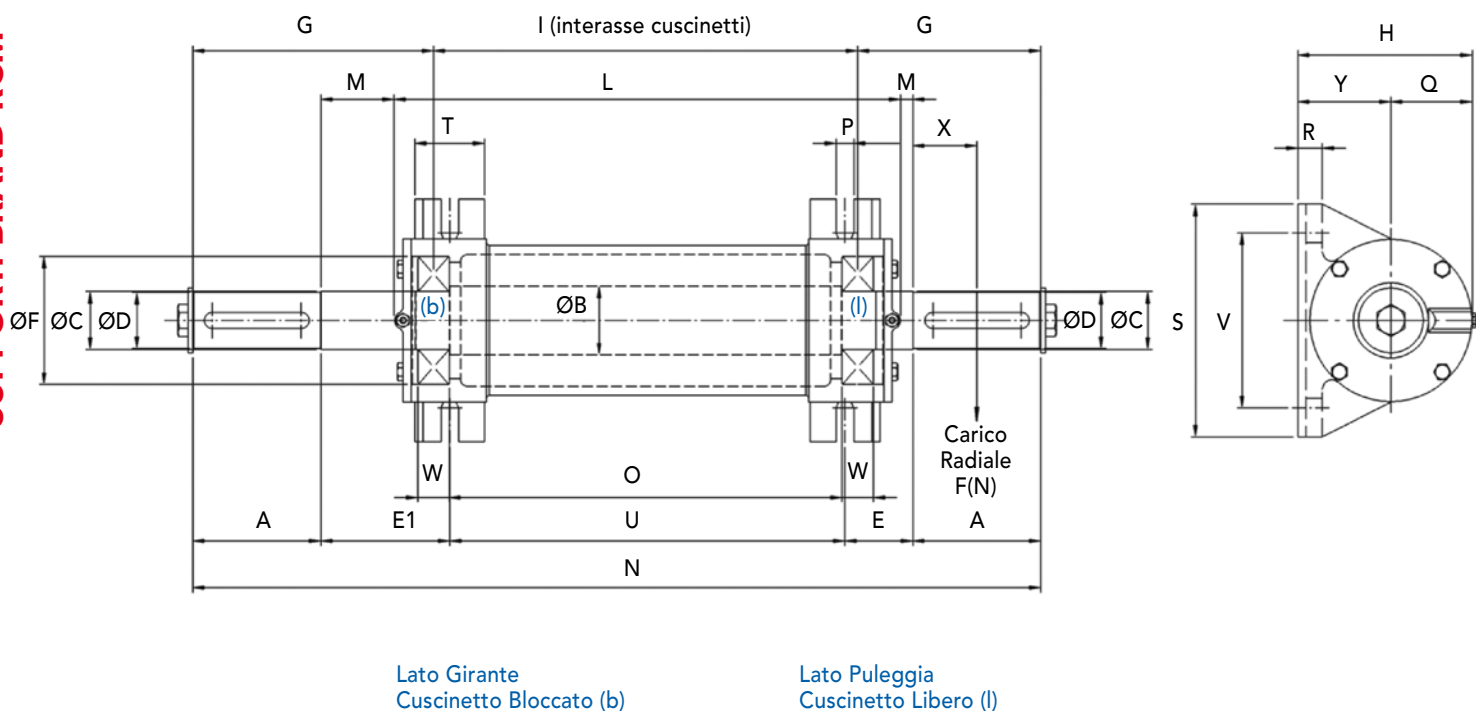
TIPO	CODICE	ØD	A	E	L	U	ØF	P	T	ØB	N	G	I	O	ØC	Q	H	R	V	S	Y	W	M	X
25	95000251	24j6	50	50	281	200	62	15	50	34	400	88,5	222	205	25	45	105	20	135	180	60	17	9,5	25
30	95000301	28j6	60	50	281	200	72	15	50	39	420	99,5	220	201	30	50	110	20	135	180	60	19	9,5	30
35	95000351	32k6	60	56	352	265	80	15	50	43	497	103,5	288	267	35	54	124	20	145	195	70	21	12,5	30
40	95000401	38k6	80	56	351	265	90	15	50	48	537	125	286	263	40	58	128	20	145	195	70	23	13	40
45	95000451	42k6	110	60	434	340	100	15	60	53	680	156	367	342	45	70	150	20	150	200	80	25	13	55
50	95000501	48k6	110	60	435	340	110	15	60	59	680	156,5	366	339	50	70	150	20	150	200	80	27	12,5	55
55	95000551	48k6	110	86	571	448	120	18	80	64	840	169,5	500	471	55	75	165	24	180	230	90	29	24,5	55
60	95000601	55m6	110	86	570	448	130	18	80	71	840	171	497	466	60	85	175	24	180	230	90	31	25	55
65	95000651	60m6	140	75	574	448	140	20	90	76	878	191	495	462	65	84	184	24	190	250	100	33	12	70
70	95000701	65m6	140	75	574	448	150	20	90	81	878	192	492	457	70	90	190	24	190	250	100	35	12	70
75	95000751	70m6	150	80	594	460	160	22	100	86	930	209	511	474	75	102	202	28	280	355	100	37	18	75
80	95000801	75m6	150	85	598	460	170	22	100	91	930	210	509	470	80	102	202	28	280	355	100	39	16	75

TIPO	CODICE	Cuscinetto	Vite di testa	Rondella di testa	Chiavetta	Peso kg.
25	95000251	6305	M8	8,5 x 36 x 4	8 x 7 x 35	8
30	95000301	6306	M8	8,5 x 36 x 4	8 x 7 x 45	10
35	95000351	6307	M12	12,5 x 48 x 4	10 x 8 x 45	14
40	95000401	6308	M12	12,5 x 48 x 4	10 x 8 x 60	17
45	95000451	6309	M16	16,5 x 63 x 5	12 x 8 x 90	24
50	95000501	6310	M16	16,5 x 63 x 5	14 x 9 x 90	28
55	95000551	6311	M16	16,5 x 85 x 6	14 x 9 x 90	43
60	95000601	6312	M16	16,5 x 85 x 6	16 x 10 x 90	49
65	95000651	6313	M16	16,5 x 85 x 6	18 x 11 x 120	56
70	95000701	6314	M16	16,5 x 85 x 6	18 x 11 x 120	61
75	95000751	6315	M20	20,5 x 100 x 8	20 x 12 x 130	89
80	95000801	6316	M20	20,5 x 100 x 8	20 x 12 x 130	90





Per i modelli  
 AS 45 - 50 - 55 - 60  
 a richiesta è previsto un gruppo  
 antirotante  
 BREVETTO EUROPEO N° 03425164.5  
 da montare in sostituzione del  
 coperchio lato cuscinetto bloccato (b)





Per i modelli  
AS 45 - 50 - 55 - 60  
a richiesta è previsto un gruppo  
antirotante  
BREVETTO EUROPEO N° 03425164.5  
da montare in sostituzione del  
coperchio lato cuscinetto bloccato (b)

TIPO	CODICE	ØD	A	E	E1	L	U	ØF	P	T	ØB	N	G	G1	I	O	ØC	Q	H	R	V	S	Y	W	M	X
30	95000302	28j6	60	50	90	281	200	72	15	50	39	460	99,5	139,5	220	201	30	50	110	20	135	180	60	19	9,5	30
35	95000352	32k6	60	56	100	352	265	80	15	50	43	541	103,5	147,5	288	267	35	54	124	20	145	195	70	21	12,5	30
40	95000402	38k6	80	56	110	351	265	90	15	50	48	591	125	179	286	263	40	58	128	20	145	195	70	23	13	40
45	95000452	42k6	110	60	110	434	340	100	15	60	53	730	156	206	367	342	45	70	150	20	150	200	80	25	13	55
50	95000502	48k6	110	60	110	435	340	110	15	60	59	730	156,5	206,5	366	339	50	70	150	20	150	200	80	27	12,5	55
55	95000552	48k6	110	86	140	571	448	120	18	80	64	894	169,5	223,5	500	471	55	75	165	24	180	230	90	29	24,5	55
60	95000602	55m6	110	86	140	570	448	130	18	80	71	894	171	225	497	466	60	85	175	24	180	230	90	31	25	55
65	95000652	60m6	140	80	134	574	461	140	20	90	76	955	203	257	495	462	65	84	184	24	190	250	100	33	23,5	70

TIPO	CODICE	Cuscinetto	Vite di testa	Rondella di testa	Chiavetta	Peso kg.
30	95000302	6306	M8	8,5 x 36 x 4	8 x 7 x 45	10
35	95000352	6307	M12	12,5 x 48 x 4	10 x 8 x 45	14
40	95000402	6308	M12	12,5 x 48 x 4	10 x 8 x 60	17
45	95000452	6309	M16	16,5 x 63 x 5	12 x 8 x 90	24
50	95000502	6310	M16	16,5 x 63 x 5	14 x 9 x 90	28
55	95000552	6311	M16	16,5 x 85 x 6	14 x 9 x 90	43
60	95000602	6312	M16	16,5 x 85 x 6	16 x 10 x 90	49
65	95000652	6313	M16	16,5 x 85 x 6	18 x 11 x 120	58

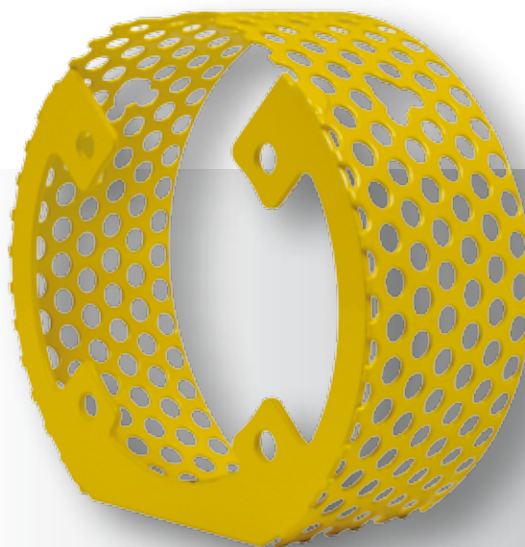
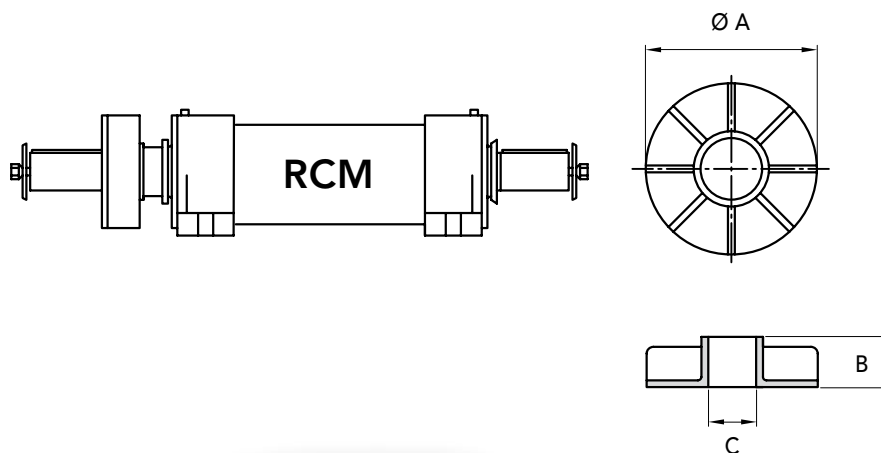


## PREDISPOSTO PER VENTOLINA DI RAFFREDDAMENTO

TIPO	CODICE	A	B	C
30	95000303	115	28	29,8
35	95000353	135	30	34,8
40	95000403	135	30	39,8
45	95000453	155	32	44,8
50	95000503	155	32	49,8
55	95000553	170	32	54,8
60	95000603	170	32	59,8
65	95000653	188	30	64,8

### TIPO CODICE

30	95000001
35	95000002
40	95000003
45	95000004



PROTEZIONE VENTOLINA



VENTOLINA

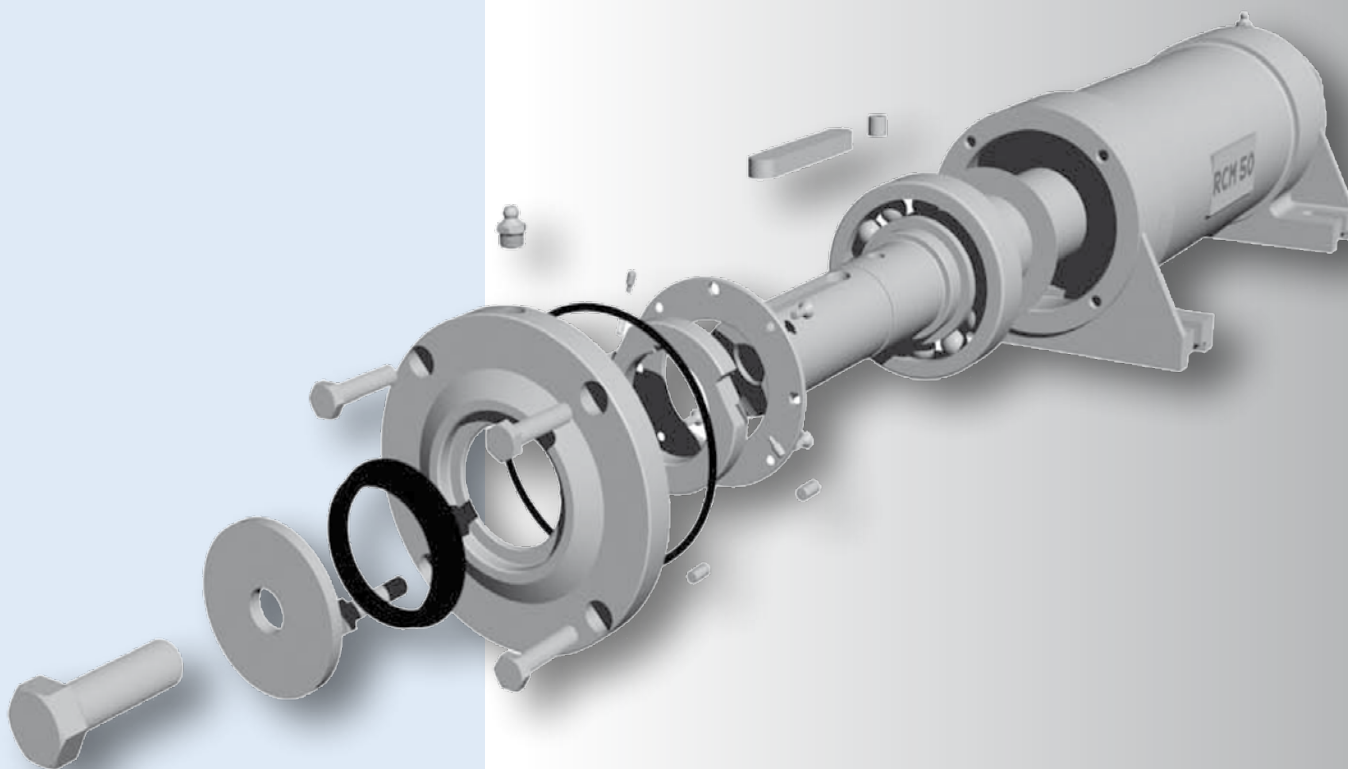


Modelli con gruppo antirotante RCM-AS

Tipo	CODICE	Giri a vuoto max n° /1'
45	95000045	500
50	95000050	475
55	95000055	400
60	95000060	350
65	95000065	350
70	95000070	330
75	95000075	325
80	95000080	300

Modelli con gruppo antirotante RCM-AL

Tipo	CODICE	Giri a vuoto max n° /1'
45	95000045	500
50	95000050	475
55	95000055	400
60	95000060	350
65	95000065	350



BREVETTO EUROPEO N° 03425164.5

SUPPORTI BRAND RCM® GRUPPO ANTIROTANTE



# PRODUZIONE

# COMPONENTI SPECIALI

*Produciamo ingranaggi e componenti meccanici di alta precisione.*

*Una vasta e variegata gamma di moderne macchine a CNC assicura capacità produttiva e qualità di elevato livello. Il personale Chiaravalli Group SpA altamente specializzato e con grande spirito di appartenenza*

*all'azienda, opera avvalendosi delle più moderne tecnologie CAE e CAD-CAM. La produzione è certificata e garantita attraverso l'utilizzo di macchine tridimensionali di misura di elevata precisione.*

***Chiaravalli Group SpA partner tecnologico per produzioni di alta qualità.***

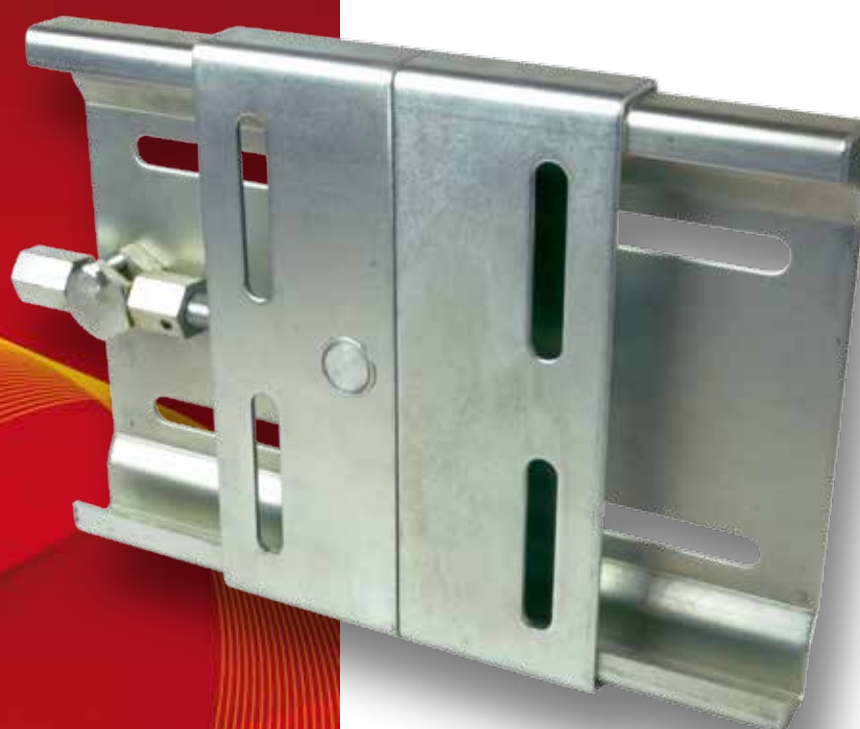






# SLITTE TENDICINGHIA

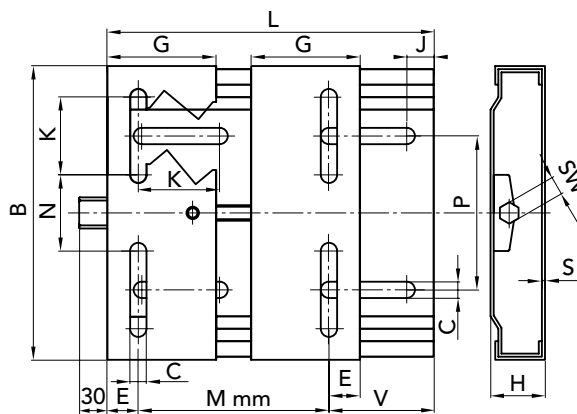






## MATERIALE

Lamiera Zincata FE 430



## DIMENSIONI

GRAND. MOT.	TIPO	CODICE	L	B	H	Mmin	G	E	J	K	C	N	P	SW	S
63/80	210	90100210	210	195	33	100	70	20	25	50	10,5	43	98	19	3
63/112	270	90100270	270	195	33	100	70	20	25	50	10,5	43	98	19	3
90/132	340	90100340	340	290	40	135	95	27	29	62,5	12,5	90	165	22	4
100/160	430	90100430	430	290	40	140	95	27	29	62,5	12,5	90	165	22	4
160/180	490	90100490	490	410	40	254	95	40	30	60	15	193	284	22	4

## AMPIEZZA DI REGOLAZIONE

TIPO	63	71	80	90	100	112	132	160	180	PESO kg
210	70	58	45							2,2
270	130	118	105	90	70	40				2,8
340				140	130	100	75			6,7
430					216	186	160	122		7,5
490								156	131	10,8



Quantità, disponibilità e prezzi con B2B Chiaravalli

SLITTE TENDICINGHIA PER MOTORI ELETTRICI



## IE 1

TIPO	POLI	POTENZA Kw	TENSIONE V	CORRENTE 400 V	COPPIA N/m	RENDIMENTO %	FATTORE COS. Ø	PESO Kg.
CHT 56	B2	2	230/400	0.40	0.42	62.00	0.69	3.20
CHT56	B4	4	230/400	0.43	0.64	50.00	0.61	3.20
CHT63	A2	2	230/400	0.55	0.63	63.00	0.75	4.00
CHT63	B2	2	230/400	0.71	0.88	65.00	0.78	4.40
CHT63	C2	2	230/400	1.05	1.30	65.00	0.78	4.90
CHT63	A4	4	230/400	0.47	0.85	57.00	0.64	3.90
CHT63	B4	4	230/400	0.70	1.27	57.00	0.65	4.50
CHT63	C4	4	230/400	0.92	1.77	59.00	0.67	4.80
CHT63	B6	6	230/400	0.62	1.27	45.00	0.62	4.80
CHT71	A2	2	230/400	0.97	1.29	70.00	0.79	5.60
CHT71	B2	2	230/400	1.42	1.90	71.00	0.79	6.10
CHT71	A4	4	230/400	0.84	1.77	60.00	0.62	5.60
CHT71	B4	4	230/400	1.12	2.58	65.00	0.74	6.20
CHT71	C4	4	230/400	1.61	3.81	66.00	0.75	7.00
CHT71	A6	6	230/400	0.70	1.95	56.00	0.66	6.00
CHT71	B6	6	230/400	0.87	2.65	59.00	0.70	6.50
CHT71	C6	6	230/400	1.27	3.97	61.00	0.69	7.20
CHT80	A4	4	230/400	1.59	3.81	67.00	0.75	8.90
CHT80	A6	6	230/400	1.23	3.93	62.00	0.70	8.20
CHT80	B6	6	230/400	1.65	5.80	67.00	0.72	9.90

## IE 2

## MOTORI EFFICIENZA IE 2

Dal mese di Giugno 2011, i motori 2 - 4 - 6 poli con potenze comprese tra 0,75 Kw e 375 Kw, commercializzati all'interno dell'Unione europea, dovranno rispondere alla nuova normativa EU MEPS European Union Minimum Energy Performances Standards per quanto riguarda il livello di efficienza, al fine di ridurre i consumi e le emissioni di CO2.

La sigla IE 2 riportata sulla targa dei motori indicherà l'appartenenza a questa categoria.

TIPO	POLI	POTENZA Kw	TENSIONE V	CORRENTE 400 V	COPPIA N/m	RENDIMENTO %	FATTORE COS. Ø	PESO Kg.
CHT80	A2	2	230/400	1.75	2.51	77.40	0.80	9.10
CHT80	B2	2	230/400	2.45	3.69	80.00	0.82	10.70
CHT80	C2	2	230/400	3.12	4.97	82.70	0.83	13.00
CHT80	B4	4	230/400	1.79	5.04	79.60	0.76	11.20
CHT80	C4	4	230/400	2.72	7.39	81.40	0.71	13.50
CHT90	S2	2	230/400	3.20	4.95	81.40	0.83	13.30
CHT90	L2	2	230/400	4.54	7.38	83.20	0.84	16.00
CHT90	S4	4	230/400	2.50	7.37	81.40	0.78	13.90
CHT90	L4	4	230/400	3.31	10.09	82.80	0.79	16.20
CHT90	M4	4	230/400	5.09	14.71	84.30	0.74	20.50
CHT90	S6	6	230/400	2.01	7.66	76.00	0.71	13.0
CHT90	L6	6	230/400	2.82	11.23	78.10	0.72	16.30
CHT100	LA2	2	230/400	5.88	10.05	84.60	0.87	23.00
CHT100	LA4	4	230/400	4.83	14.70	84.30	0.78	22.70
CHT100	LB4	4	230/400	6.33	20.00	85.50	0.80	26.50
CHT100	LA6	6	230/400	3.71	15.20	80.00	0.73	22.00
CHT 112	M2	2	230/400	7.56	13.13	86.00	0.89	27.00
CHT112	M4	4	230/400	8.23	26.60	86.60	0.81	32.50
CHT112	L4	4	230/400	11.25	36.57	87.90	0.80	39.00
CHT112	M6	6	230/400	5.17	22.30	81.80	0.75	29.50
CHT132	SA2	2	230/400	10.25	18.00	87.20	0.89	40.20
CHT132	SB2	2	230/400	13.80	24.47	88.10	0.89	45.00
CHT132	S4	4	230/400	11.00	36.22	87.90	0.83	44.00
CHT132	M4	4	230/400	14.50	50.00	88.70	0.84	53.50
CHT132	M6	6	230/400	8.86	40.42	84.60	0.77	45.00
CHT132	S6	6	230/400	6.84	30.48	83.30	0.76	36.10

\* A richiesta motori da 160 a 355

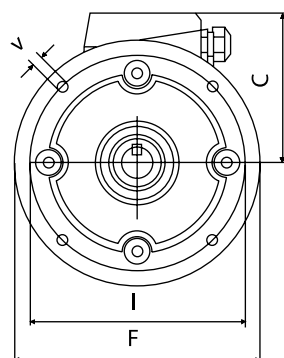
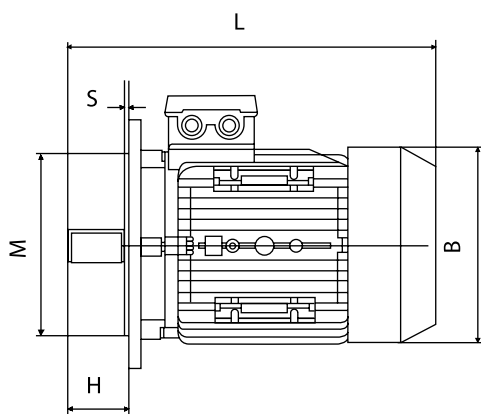
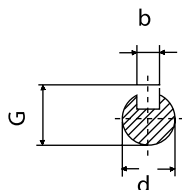
\* Volt 400/690 standard da 160 a 355 a richiesta sugli altri

\* A richiesta è fornibile motore marca ABB

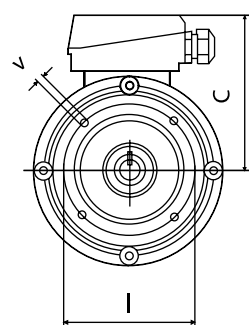
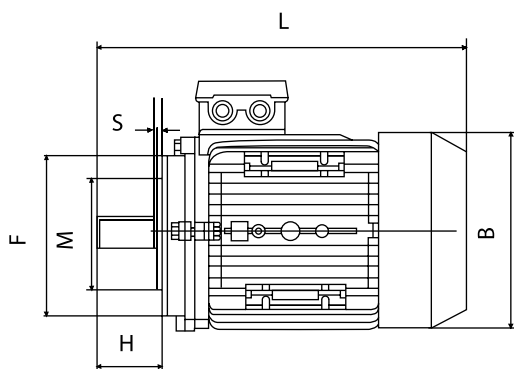
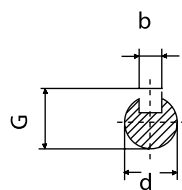
\* A richiesta è fornibile motore autofrenante marca MGM



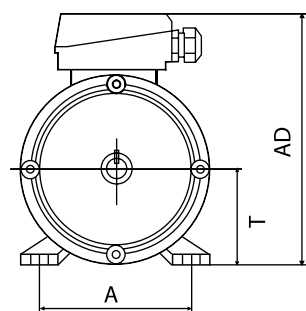
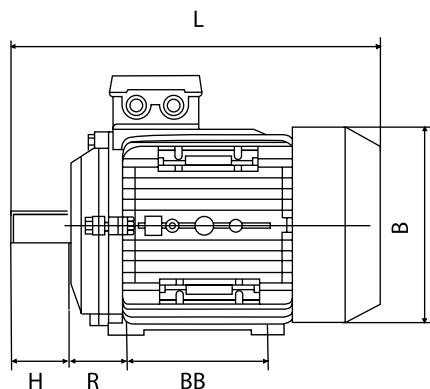
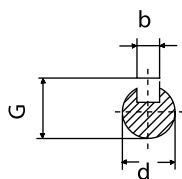
**B5**



**B14**



**B3**



### DIMENSIONI DI MONTAGGIO (mm)

TIPO	DIMENSIONI DI MONTAGGIO (mm)															INGOMBRI						
	d	H	b	G	B5					B14					B3					B	C	L
					I	M	F	V	S	I	M	F	V	S	R	BB	A	T	AD			
<b>56</b>	9	20	3	10.2	98	80	120	7	3.0	65	50	80	M5	2.5	36	71	90	56	156	110	100	195
<b>63</b>	11	23	4	12.5	115	95	140	10	3.0	75	60	90	M5	2.5	40	80	100	63	173	123	110	215
<b>71</b>	14	30	5	16	130	110	160	10	3.5	85	70	105	M6	2.5	45	90	112	71	188	138	117	255
<b>80</b>	19	40	6	21.5	165	130	200	12	3.5	100	80	120	M6	3.0	50	100	125	80	217	155	137	290
<b>90S</b>	24	50	8	27	165	130	200	12	3.5	115	95	140	M8	3.0	56	100	140	90	235	176	145	310
<b>90L/90LL</b>	24	50	8	27	165	130	200	12	3.5	115	95	140	M8	3.0	56	125	140	90	235	176	145	335
<b>100L</b>	28	60	8	31	215	180	250	15	4.0	130	110	160	M8	3.5	63	140	160	100	252	197	152	386
<b>112M</b>	28	60	8	31	215	180	250	15	4.0	130	110	160	M8	3.5	70	140	190	112	292	220	180	395
<b>132S</b>	38	80	10	41	265	230	300	15	4.0	165	130	200	M10	4.0	89	140	216	132	325	257	195	436
<b>132M</b>	38	80	10	41	265	230	300	15	4.0	165	130	200	M10	4.0	89	178	216	132	325	257	195	475



# L'AZIENDA

*Siamo un gruppo internazionale con oltre 60 anni di storia nel settore della trasmissione meccanica.*

*Dalla nostra nascita, fortemente voluta e realizzata dal nostro fondatore Silvio Chiaravalli, il nostro marchio si è imposto per qualità, tecnologia ed innovazione tecnologica.*

*Tutta la nostra crescita e sviluppo si evolvono attorno ad una scelta strategica: **il dialogo costante con il cliente al centro delle nostre attenzioni.***





# SERVIZI SPEDIZIONE



B2B

*Chiaravalli Group SpA  
E-commerce service*

**FAST TRACK**

*Spedizioni giornaliere  
via aerea*



**PRIORITY TRUCK SERVICE**

*Spedizioni prioritarie  
mezzo camion*

**ADVANCED SHIPPING**

*Spedizioni in trenta ore  
via aerea o camion*



**OGNI VOSTRA NECESSITÀ  
È LA NOSTRA UNICA PRIORITÀ**





## TRASMISSIONI STANDARD

Prodotti standard a catalogo



## RIDUTTORI & MOTORI ELETTRICI

Prodotti standard a catalogo



## MARTINETTI MECCANICI

Prodotti standard a catalogo personalizzabili



## COMPONENTI SPECIALI

Produzione di particolari meccanici di grande complessità ed altissima precisione



## DIVISIONE MOTO

Distribuzione equipaggiamento moto



[www.chiaravalli.com](http://www.chiaravalli.com)

Il nostro centro logistico in Cavaria con Premezzo (Cantalupa) è un insieme di funzioni informatiche dedicate allo stoccaggio dei prodotti, al loro prelevamento, al loro confezionamento ed alla loro spedizione.

Tutte le funzioni sono state automatizzate ai più alti livelli oggi disponibili.

La logistica Chiaravalli Group si è affermata nel tempo come elemento di comparazione e traguardo per tutte le aziende europee del settore meccanico.





CHIARAVALLI Cz a.s.  
 Průmyslová 2083  
 59401 Velké Meziříčí  
 Česká republika  
 Tel. +420 566 502 030  
 www.chiaravalli.cz



CHIARAVALLI POLSKA Sp. z o.o.  
 ul. Polna 133  
 87 - 100 Toruń  
 Polska  
 Tel. + 48 56 623 30 00  
 www.chiaravalli.pl



Via per Cedrate, 476  
 21044 Cavaria con Premezzo (VA) · Italy  
 Tel. +39 0331 214 511  
 Fax +39 0331 218 175

[www.chiaravalli.com](http://www.chiaravalli.com)  
 chiaravalli@chiaravalli.com

